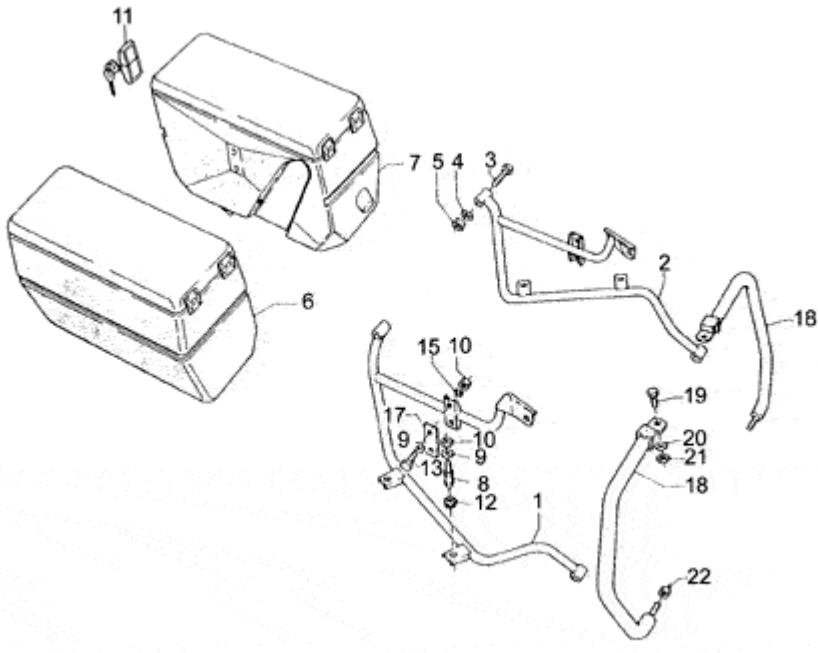
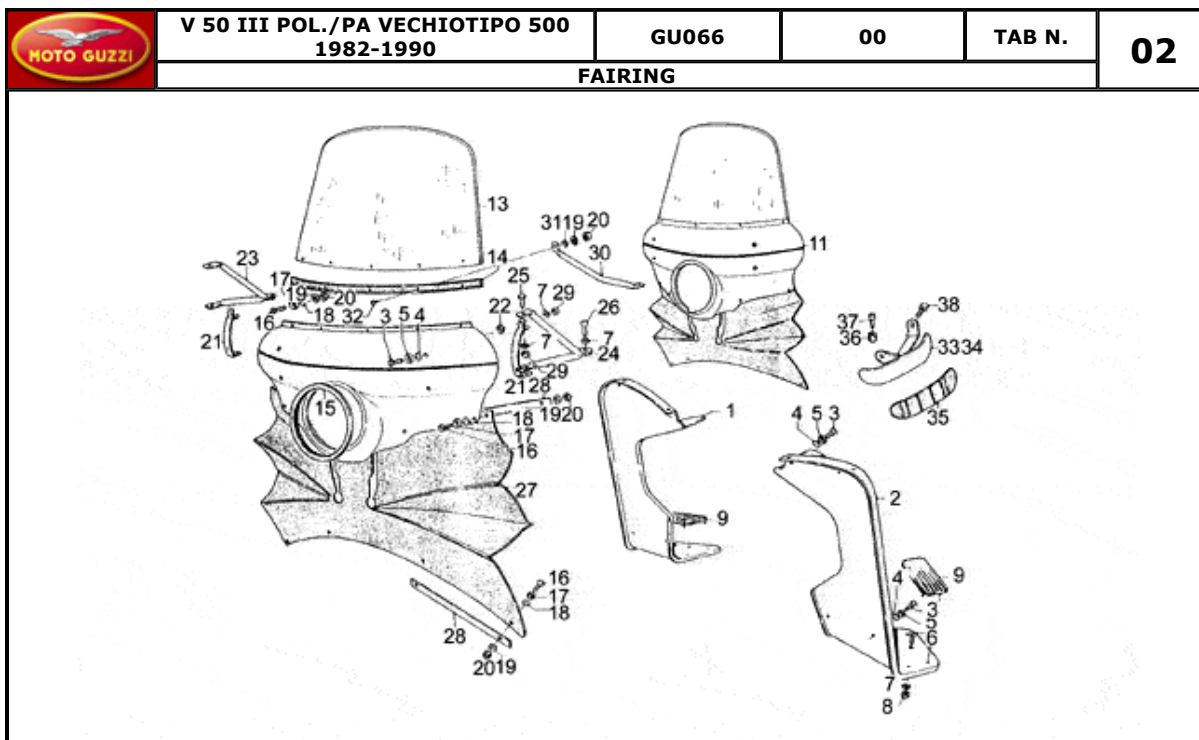
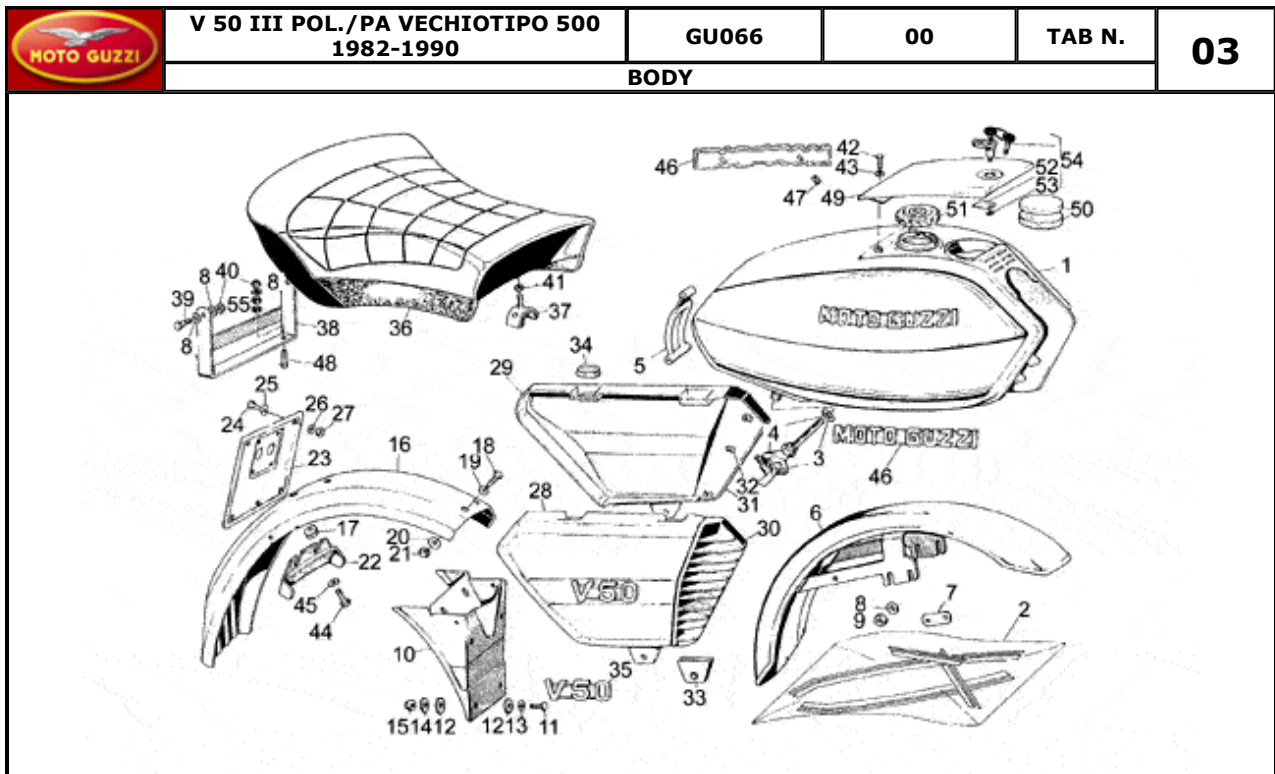
		V 50 III POL./PA VECHIOTIPO 500 1982-1990			GU066	00	TAB N.	01	
SADDLEBAGS, PAIR									
									
Pos.	Description	Year	I_M_	Country	Version	Code	Q.ty	P.Cod.	
1	RH bag support	-	-	-	-	GU19485090	1		
2	LH bag support	-	-	-	-	GU19486590	1		
3	Screw	-	-	-	-	GU98052555	2		
4	Notched washer	-	-	-	-	GU95022110	2		
5	Nut	-	-	-	-	GU92602210	2		
6	RH saddlebag	-	-	-	-	GU194825901	1		
7	LH saddlebag	-	-	-	-	GU194857901	1		
8	Stud bolt	-	-	-	-	GU19486990	4		
9	Washer 6,4x12x1,2	-	-	-	-	GU95100141	8		
10	Nut	-	-	-	-	GU92602206	8		
11	Saddlebags lock hardw.kit	-	-	-	-	GU19484090	2		
12	Rubber spacer	-	-	-	-	GU91551082	4		
13	Hex screw M6X20	-	-	-	-	GU98054320	4		
15	Notched washer	-	-	-	-	GU95021106	4		
17	Spacer	-	-	-	-	GU10488200	4		
18	Rear bumper	-	-	-	-	GU19458290	2		
19	Hex screw M8X20	-	-	-	-	GU98054420	2		
20	Washer	-	-	-	-	GU95004208	2		
21	Nut M8X1,25	-	-	-	-	GU92602208	2		
22	Nut M10x1,5	-	-	-	-	GU92630510	2		


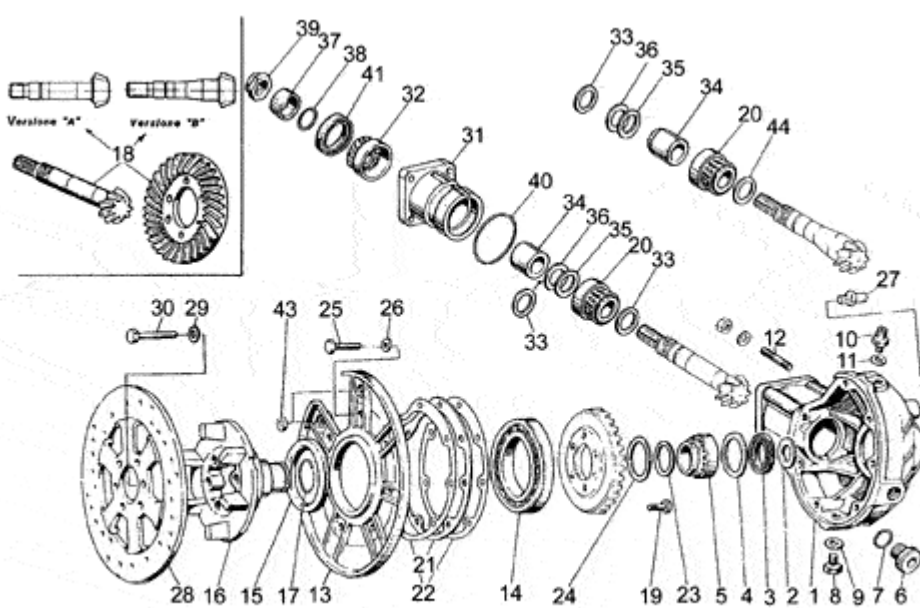


Pos.	Description	Year	I_M_	Country	Version	Code	Q.ty	P.Cod.
1	RH leg protection	-	-	-	-	GU19453390	1	
2	LH leg protection	-	-	-	-	GU19456190	1	
3	Screw	-	-	-	-	GU98260621	12	
4	O-ring	-	-	-	-	GU45212400	12	
5	Washer	-	-	-	-	GU18577850	12	
6	Screw	-	-	-	-	GU98326013	2	
7	Notched washer	-	-	-	-	GU95021106	12	
8	Nut	-	-	-	-	GU92602206	2	
9	Footrest rubber	-	-	-	-	GU19452991	2	
11	Fairing	-	-	-	-	GU19575395	1	
	Fairing	-	-	-	PA	GU195754901	1	
13	Windscreen	-	-	-	-	GU19577295	1	
14	Gasket	-	-	-	-	GU19577990	1	
15	Gasket	-	-	-	-	GU00893931140	1	
16	Screw	-	-	-	-	GU98260418	11	
17	Washer	-	-	-	-	GU14577850	13	
18	O-ring	-	-	-	-	GU90706035	13	
19	Washer	-	-	-	-	GU95007204	13	
20	Nut	-	-	-	-	GU92601004	13	
21	Clamp	-	-	-	-	GU19575590	2	
22	Rubber spacer	-	-	-	-	GU93110060	4	
23	RH support	-	-	-	-	GU19578690	1	
24	LH support	-	-	-	-	GU19578691	1	
25	Screw	-	-	-	-	GU98074314	4	
26	Screw	-	-	-	-	GU98052326	2	
27	Air protection	-	-	-	-	GU19577390	1	
28	Plate	-	-	-	-	GU19577590	4	
29	Nut	-	-	-	-	GU92601206	8	
30	Clamp	-	-	-	-	GU19578795	2	
31	Rubber spacer	-	-	-	-	GU65573900	2	
32	Screw	-	-	-	-	GU98260425	2	
33	RH protection	-	-	-	-	GU19941095	1	
34	LH protection	-	-	-	-	GU19941495	1	
35	Rubber spacer	-	-	-	-	GU18941750	2	
36	Spacer	-	-	-	-	GU91180721	2	
37	Hex socket screw M6X50	-	-	-	-	GU98620350	2	
38	Screw M6X30	-	-	-	-	GU98620330	2	



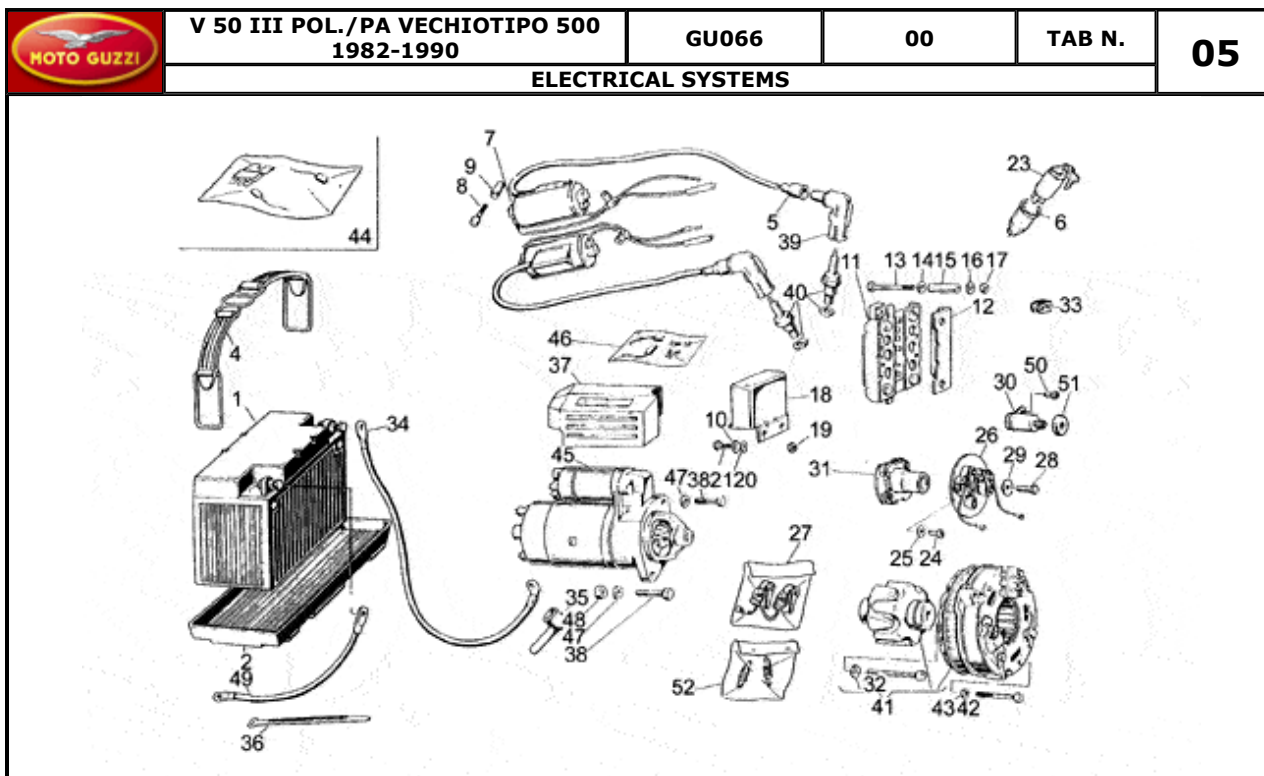
Pos.	Description	Year	I_M_	Country	Version	Code	Q.ty	P.Cod.
1	Fuel tank blank	-	-	-	-	GU191002051	1	
2	Decal set	-	-	-	-	GU19923390	1	
3	RH fuel cock	-	-	-	-	GU65105400	1	
4	LH fuel cock	-	-	-	-	GU65105401	1	
5	Tie rod	-	-	-	-	GU19102750	1	
6	Front mudguard	-	-	-	L	GU194343001	1	
	Front mudguard	-	-	-	P	GU194344071	1	
7	Plate	-	-	-	-	GU19436600	2	
8	Spring washer 8x15x0,3	-	-	-	-	GU61270300	8	
9	Nut M8X1,25	-	-	-	-	GU92602208	4	
10	Splash guard	-	-	-	-	GU19438735	1	
11	Hex screw M6X20	-	-	-	-	GU98054320	4	
12	Rubber spacer	-	-	-	-	GU93110060	8	
13	Washer	-	-	-	-	GU95000206	4	
14	Washer 6,4x12x1,2	-	-	-	-	GU95100141	4	
15	Nut M6x1	-	-	-	-	GU92630106	4	
16	Rear mudguard	-	-	-	-	GU194370201	1	
17	Fairlead	-	-	-	-	GU91551102	1	
18	Screw	-	-	-	-	GU98054312	2	
19	Washer 6,15x11x0,8	-	-	-	-	GU95008206	2	
20	Washer 5,3x10x0,5	-	-	-	-	GU95100121	2	
21	Nut	-	-	-	-	GU92602206	2	
22	Wiring harness support	-	-	-	-	GU19438500	1	
23	Number plate holder	-	-	-	-	GU01474630	1	
24	Screw	-	-	-	-	GU98200408	4	
25	Washer	-	-	-	-	GU95000204	4	
26	Washer	-	-	-	-	GU95129080	4	
27	Nut	-	-	-	-	GU92602004	4	
28	RH body panel blank	-	-	-	PA	GU194762501	1	
	RH side panel	-	-	-	-	GU19476295	1	
29	LH side panel	-	-	-	-	GU19476395	1	
	LH body panel blank	-	-	-	PA	GU194763501	1	
30	Net panel (r)	-	-	-	-	GU19478150	1	
31	Net panel (l)	-	-	-	-	GU19478250	1	

32	Plate	-	-	-	-	-	GU39922200	10
33	Rubber spacer	-	-	-	-	-	GU19478550	2
34	Rubber spacer	-	-	-	-	-	GU19478750	4
35	Name plate "V50"	-	-	-	-	-	GU19922051	2
36	Saddle	-	-	-	-	-	GU19460595	1
37	Front seat support	-	-	-	-	-	GU19460895	2
38	Rear seat support	-	-	-	-	-	GU19462390	1
39	Hex screw M8X20	-	-	-	-	-	GU98054420	2
40	Nut	-	-	-	-	-	GU92630108	4
41	Nut	-	-	-	-	-	GU92602408	2
42	Screw	-	-	-	-	-	GU98054210	2
43	Spring washer 5,3X10X0,5	-	-	-	-	-	GU95129100	2
44	Screw	-	-	-	-	-	GU98054314	2
45	Washer 5,3x10x0,5	-	-	-	-	-	GU95100121	2
46	Decal "Moto Guzzi"	-	-	-	-	-	GU14917300	2
47	Clip	-	-	-	-	-	GU14105100	4
48	Screw	-	-	-	-	-	GU98054440	2
49	Tank cover, blank	-	-	-	-	-	GU141040551	1
50	Rubber spacer	-	-	-	-	-	GU19104336	1
51	Tank cap	-	-	-	-	-	GU28103946	1
52	Tab	-	-	-	-	-	GU18105001	1
53	Hose clamp	-	-	-	-	-	GU19104950	1
54	Cover	-	-	-	-	b	GU14104055004	1
	Locks	-	-	-	-	-	GU14736856	1
	Tank cover, white	-	-	-	-	w	GU23104090	1
55	Spacer	-	-	-	-	-	GU91180810	4

 <b>V 50 III POL./PA VECHIOTIPO 500</b> <b>1982-1990</b>		<b>GU066</b>	<b>00</b>	<b>TAB N.</b>	<b>04</b>			
<b>REAR BEVEL GEAR</b>								
								
<b>Pos.</b>	<b>Description</b>	<b>Year</b>	<b>I_M</b>	<b>Country</b>	<b>Version</b>	<b>Code</b>	<b>Q.ty</b>	<b>P.Cod.</b>


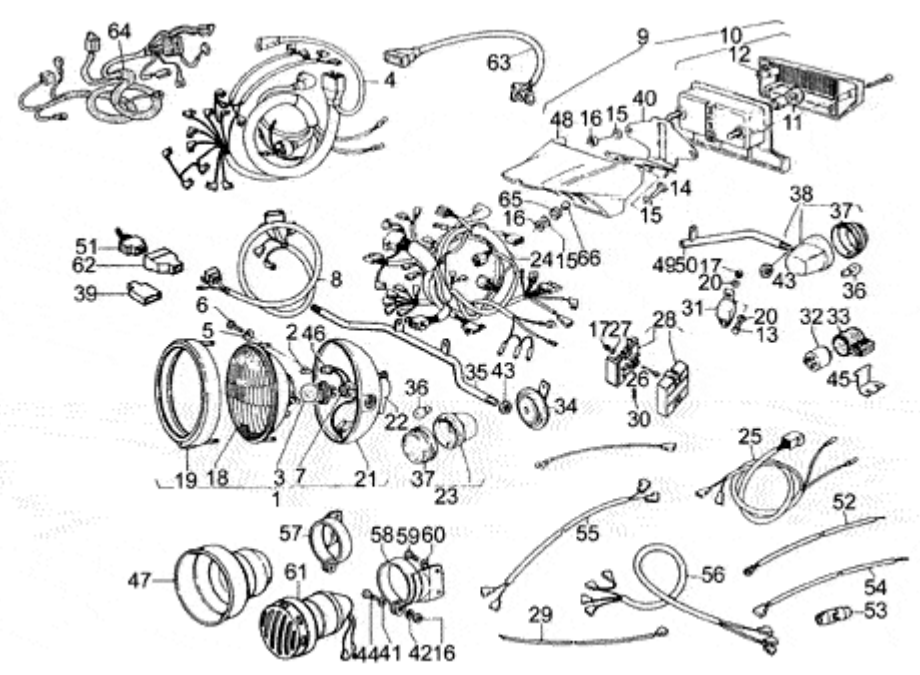
1	Transmission box, blank	-	-	-	-	GU19350322	1	
2	Clearance washer	-	-	-	-	GU19351900	1	
3	Gasket ring 35x47x7	-	-	-	-	GU90403547	1	
4	Clearance washer	-	-	-	-	GU19351100	1	
5	Roller bearing 35x50x17	-	-	-	-	GU92252235	1	
6	Oil plug	-	-	-	-	GU12022600	1	
7	O-ring 20,24X2,62	-	-	-	-	GU90706203	1	
8	Oil level plug	-	-	-	-	GU95980214	1	
9	Gasket	-	-	-	-	GU10528900	1	
10	Breather plug	-	-	-	-	GU19206501	1	
11	Gasket	-	-	-	-	GU10528900	1	
12	Stud bolt	-	-	-	-	GU96508055	4	
13	Cover	-	-	-	-	GU19350421	1	
14	Ball bearing 70x110x13	-	-	-	-	GU92201070	1	
15	Gasket ring 75x90x8	-	-	-	-	GU90407590	1	
16	Pin	-	-	-	-	GU19351401	1	
17	Stop ring	-	-	-	-	GU90353030	1	
18	Bevel gear Z=8/31	-	-	-	VB	GU20354621	1	
19	Screw	-	-	-	-	GU19356320	6	
20	Roller bearing 20x47x14	-	-	-	VA	GU92249220	1	
	Tap.roller bearing	-	-	-	VB	GU92249223	1	
21	Spacer 1,2 mm	-	-	-	-	GU19355408	1	
	Spacer 1,6 mm	-	-	-	-	GU19355413	1	
	Spacer 1,5 mm	-	-	-	-	GU19355412	1	
	Spacer 1,3 mm	-	-	-	-	GU19355410	1	
	Spacer 1,1 mm	-	-	-	-	GU19355406	1	
	Spacer 1 mm	-	-	-	-	GU19355404	1	
	Spacer 0,9 mm	-	-	-	-	GU19355402	1	
	Spacer 0,8 mm	-	-	-	-	GU19355400	1	
	Spacer 1,4 mm	-	-	-	-	GU19355411	1	
22	Gasket	-	-	-	-	GU19350700	2	
23	Thrust washer	-	-	-	-	GU19352300	1	
24	Thrust washer	-	-	-	-	GU19353500	1	

25	Screw M8X25	-	-	-	-	-	GU19357660	7
26	Spring washer 8x15x0,3	-	-	-	-	-	GU61270300	7
27	Pin	-	-	-	-	-	GU19555200	1
28	Rear brake disc	-	-	-	-	-	GU19635736	6
29	Washer 8,4X13X0,8	-	-	-	-	-	GU14615901	6
30	Screw	-	-	-	-	-	GU98054418	1
31	Bearing casing	-	-	-	-	-	GU19352401	1
32	Roller bearing 20x47x14	-	-	-	-	-	GU92249220	1
33	Spacer 1,2 mm	-	-	-	-	-	GU19355302	4
	Spacer 1,9 mm	-	-	-	-	-	GU19355309	4
	Spacer 1,8 mm	-	-	-	-	-	GU19355308	4
	Spacer 1,7 mm	-	-	-	-	-	GU19355307	4
	Spacer 1,6 mm	-	-	-	-	-	GU19355306	4
	Spacer 1,5 mm	-	-	-	-	-	GU19355305	4
	Spacer 1,3 mm	-	-	-	-	-	GU19355303	4
	Spacer 1,1 mm	-	-	-	-	-	GU19355301	4
	Spacer 1 mm	-	-	-	-	-	GU19355300	4
	Spacer 1,4 mm	-	-	-	-	-	GU19355304	4
34	Spacer	-	-	-	VB	-	GU19355121	1
	Spacer	-	-	-	VA	-	GU19355100	1
35	Shim 0,1 mm	-	-	-	-	-	GU19355200	2
36	Shim 0,15 mm	-	-	-	-	-	GU19355202	11
37	Spacer	-	-	-	-	-	GU19356801	1
38	Gasket ring 18,77X1,78	-	-	-	-	-	GU90706188	1
39	Nut	-	-	-	-	-	GU19356700	1
40	Gasket ring	-	-	-	-	-	GU90706552	1
41	Gasket ring	-	-	-	-	-	GU90403247	1
43	Nut M8X1,25	-	-	-	-	-	GU92602208	2
44	Spacer 1 mm	-	-	-	-	-	GU19355320	2
	Spacer 1,8 mm	-	-	-	-	-	GU19355328	2
	Spacer 1,7 mm	-	-	-	-	-	GU19355327	2
	Spacer 1,6 mm	-	-	-	-	-	GU19355326	2
	Spacer 1,5 mm	-	-	-	-	-	GU19355325	2
	Spacer 1,4 mm	-	-	-	-	-	GU19355324	2
	Spacer 1,3 mm	-	-	-	-	-	GU19355323	2
	Spacer 1,1 mm	-	-	-	-	-	GU19355321	2
	Spacer 1,9 mm	-	-	-	-	-	GU19355329	2
	Spacer 1,2 mm	-	-	-	-	-	GU19355322	2




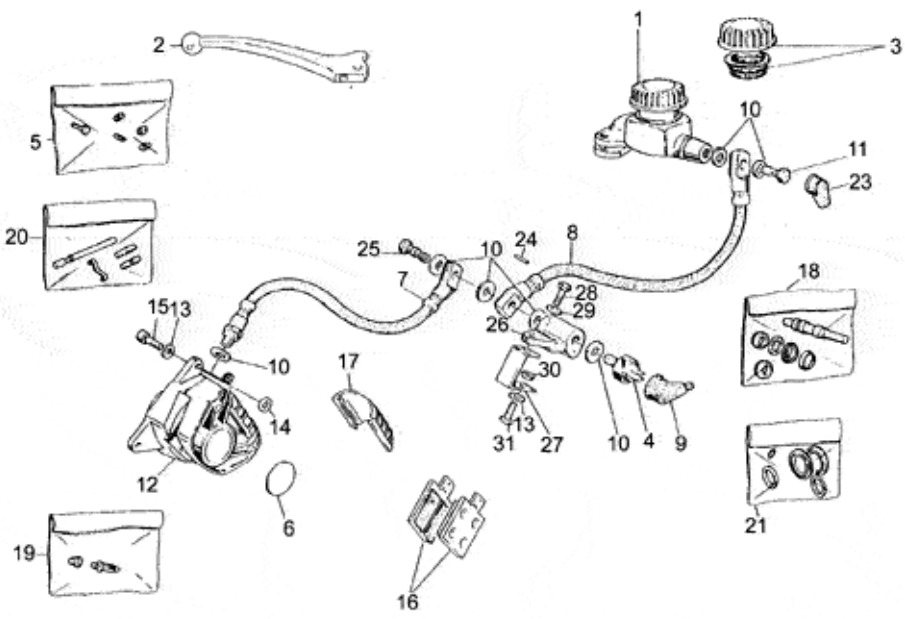
Pos.	Description	Year	I_M_	Country	Version	Code	Q.ty	P.Cod.
1	Battery 12V-32AH	-	-	-	-	GU14704505	1	
2	Float chamber	-	-	-	-	GU14707000	1	
4	Clamp	-	-	-	-	GU19704800	1	
5	Cap	-	-	-	-	GU14717600	2	
6	Ring nut	-	-	-	-	GU19741336	1	
7	HT coil	-	-	-	-	GU31716560	2	
8	Screw	-	-	-	-	GU98620240	4	
9	Spacer	-	-	-	-	GU91180721	4	
10	Washer	-	-	-	-	GU95000206	2	
11	Bosch rectifier	-	-	-	-	GU17704300	1	
12	Cover	-	-	-	-	GU61704200	1	
13	Screw	-	-	-	-	GU98052245	4	
14	Washer 6,4x12x1,2	-	-	-	-	GU95100141	4	
15	Spacer	-	-	-	-	GU91180627	4	
16	Spring washer 5,3X10X0,5	-	-	-	-	GU95129100	4	
17	Nut	-	-	-	-	GU92602205	4	
18	Voltage regulator BOSCH	-	-	-	-	GU29703800	1	
19	Nut	-	-	-	-	GU92602206	2	
20	Special washer	-	-	-	-	GU61013800	2	
21	Screw	-	-	-	-	GU98054312	2	
23	Main switch	-	-	-	-	GU31735360	1	
24	Screw	-	-	-	-	GU98290512	2	
25	Washer	-	-	-	-	GU95000205	2	
26	Plate	-	-	-	00399N	GU27708520001	1	
27	Contact rev. kit	-	-	-	-	GU19709620	1	
28	Screw	-	-	-	-	GU98054314	1	
29	Washer 6.3X17X1.5	-	-	-	-	GU95100126	1	
30	Capacitor	-	-	-	-	GU19708620	2	
31	Spark advance	-	-	-	-	GU19708480	1	
32	Screw	-	-	-	-	GU14712459	1	
33	Rubber spacer	-	-	-	-	GU19007700	1	
34	Wire	-	-	-	-	GU19748000	1	
35	Cap	-	-	-	-	GU19707100	2	
36	Hose clamp	-	-	-	-	GU61609630	20	

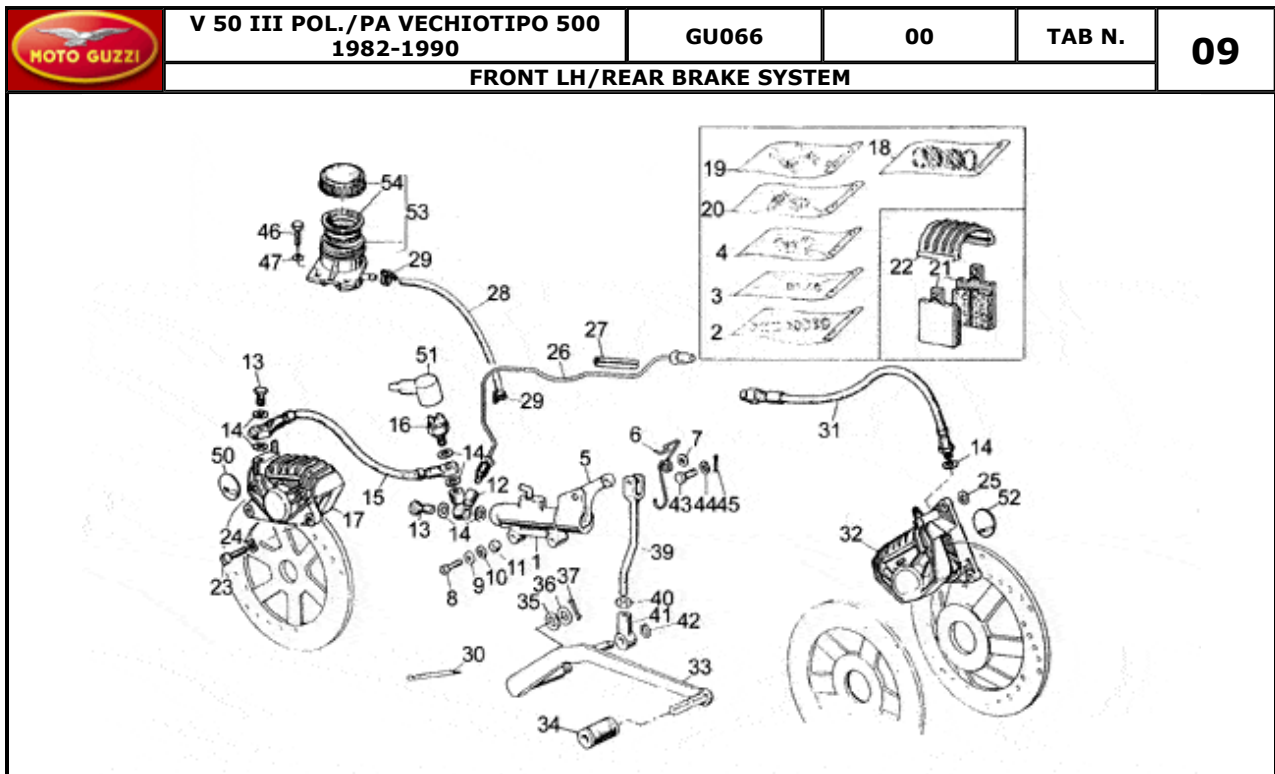
37	Protection	-	-	-	-	-	GU19733350	1
38	Hex screw M8X35	-	-	-	-	-	GU98052435	2
39	Sparkplug cap	-	-	-	-	-	GU14717400	2
40	Spark plug NGK B8ES	-	-	-	-	-	GU31717060	2
41	Bosch alternator	-	-	-	-	-	GU17712400	1
42	Hex socket screw M5X45	-	-	-	-	-	GU98620245	3
43	Notched washer	-	-	-	-	-	GU95021105	3
44	Repairing kit	-	-	-	-	-	GU17712454	1
45	Starter motor Valeo	-	-	-	B	-	GU30730711	1
46	Starter motor revision kit	-	-	-	B	-	GU14730570	1
47	Washer	-	-	-	-	-	GU95004208	2
48	Nut M8X1,25	-	-	-	-	-	GU92602208	1
49	Ground-battery lead	-	-	-	-	-	GU19748400	1
50	Screw	-	-	-	-	-	GU98200408	2
51	Cap	-	-	-	-	-	GU19708720	2
52	Spring kit	-	-	-	-	-	GU19719820	1

		V 50 III POL./PA VECHIOTIPO 500 1982-1990		GU066	00	TAB N.	06	
LIGHTS								
								
Pos.	Description	Year	I_M	Country	Version	Code	Q.ty	P.Cod.
1	Headlight	-	-	-	-	GU28740533	1	
2	Lamp 12V-4W	-	-	-	-	GU93450119	1	
3	Lamp 12V 45/40W	-	-	-	-	GU93450231	1	
4	Wiring	-	-	-	G	GU19747235	1	
5	Washer	-	-	-	-	GU95020111	2	
6	Screw	-	-	-	-	GU98822520	2	
7	Main switch	-	-	-	-	GU17740364	1	
8	Wiring	-	-	-	-	GU19726380	1	
9	Taillight assy	-	-	-	-	GU19740900	1	
10	Taillight	-	-	-	-	GU65740900	1	
11	Lamp 12V/5-21W	-	-	-	-	GU93450224	2	
12	Taillight lens	-	-	-	-	GU65741700	1	
13	Screw	-	-	-	-	GU98054212	2	
14	Hex screw M6X20	-	-	-	-	GU98054320	2	
15	Washer 6,2X18X1	-	-	-	-	GU95100118	4	
16	Nut	-	-	-	-	GU92602206	6	
17	Nut	-	-	-	-	GU92602205	4	
18	Optical group	-	-	-	-	GU19740455	1	
19	Light frame	-	-	-	-	GU19740454	1	
20	Washer 5,25x14x1,5	-	-	-	-	GU95100059	4	
21	Cap	-	-	-	-	GU19740458	1	
22	Rear cap plug	-	-	-	-	GU19740404	1	
23	Turn indicator	-	-	-	-	GU19750602	2	
24	Electrical system	-	-	-	G	GU19747120	1	
25	Taillight wiring harn.	-	-	-	-	GU19747335	1	
26	Screw	-	-	-	-	GU98202525	2	
27	Notched washer	-	-	-	-	GU95021105	2	
28	Fuse holder box	-	-	-	-	GU19743000	1	
29	Fuse-relay cable	-	-	-	-	GU18757180	1	
30	Fuse 16A	-	-	-	-	GU17742550	4	
31	Starter relay	-	-	-	-	GU19732500	3	
32	Flasher unit	-	-	-	-	GU17750520	2	
33	Block	-	-	-	-	GU17751200	1	

34	Horn	-	-	-	-	-	GU61743700	1
35	Front support	-	-	-	-	-	GU19751390	1
36	Lamp 12V-10W	-	-	-	-	-	GU93450129	4
37	Turn indicator lens	-	-	-	-	-	GU39753771	4
38	Turn indicator	-	-	-	-	-	GU19750602	2
39	Connector 3 vie	-	-	-	-	-	GU93400963	2
40	Support	-	-	-	-	-	GU19741200	1
41	Washer	-	-	-	-	-	GU95000206	2
42	Notched washer	-	-	-	-	-	GU95021106	2
43	Nut	-	-	-	-	-	GU92602411	4
44	Hex screw M6X22	-	-	-	-	-	GU98054322	2
45	Plate	-	-	-	-	-	GU19750435	1
46	Lampholder	-	-	-	-	-	GU17740405	1
47	Megaphone	-	-	-	-	-	GU19743791	2
48	Taillight body	-	-	-	-	-	GU19741000	1
49	RH turn indicator support	-	-	-	-	-	GU197585901	1
50	LH turn indicator support	-	-	-	-	-	GU197585911	1
51	Switch	-	-	-	-	-	GU18745701	1
52	Battery-fuse cable	-	-	-	-	-	GU18757181	2
53	Fusebox assy	-	-	-	-	-	GU23742500	2
54	Fuse-flasher unit cable	-	-	-	-	-	GU19757190	1
55	Wiring	-	-	-	-	-	GU18720150	1
56	Wiring	-	-	-	-	-	GU19753190	1
57	RH siren support	-	-	-	-	-	GU19744290	1
58	LH siren support	-	-	-	-	-	GU19744291	1
59	Hex screw M8X16	-	-	-	-	-	GU98054416	4
60	Spring washer	-	-	-	-	-	GU95021108	4
61	One-tone siren	-	-	-	-	-	GU28743745	2
62	Cap	-	-	-	-	-	GU17756000	1
63	Wire	-	-	-	-	-	GU19747105	1
64	Alternator-regulator wiring	-	-	-	-	-	GU19725820	1
65	Rubber spacer	-	-	-	-	-	GU91551085	4
66	Spacer	-	-	-	-	-	GU91180607	4

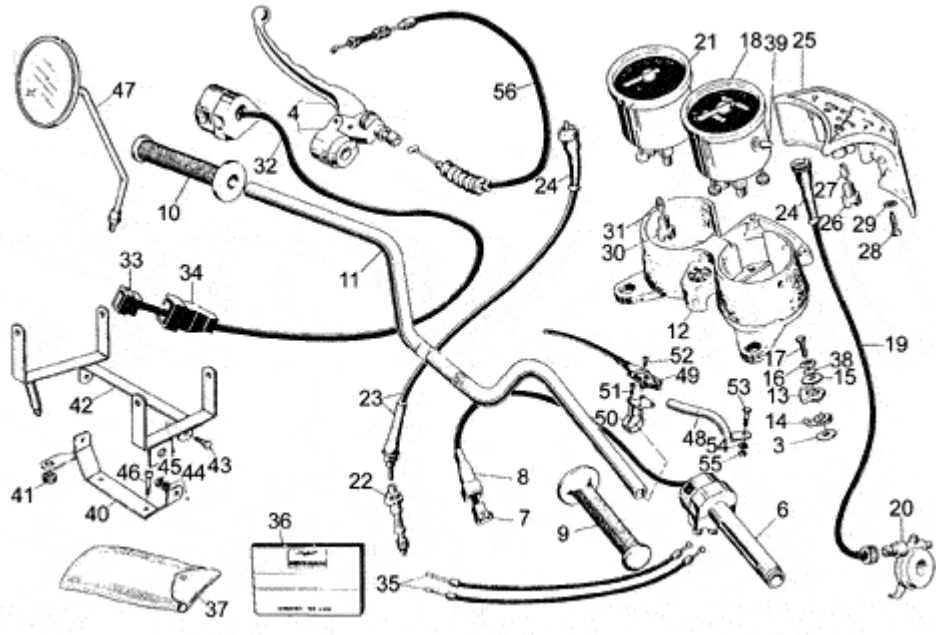
Pos.	Description	Year	I_M_	Country	Version	Code	Q.ty	P.Cod.
1	Transmission box assy., blank	-	-	-	-	GU19350220	1	
2	Hose	-	-	-	-	GU19327701	1	
3	Hose	-	-	-	-	GU19328801	1	
4	Circlip	-	-	-	-	GU90272023	1	
5	Disc	-	-	-	-	GU19327601	1	
6	Spring	-	-	-	-	GU94321099	1	
7	Coupling	-	-	-	-	GU19328021	1	
8	Protection collar	-	-	-	-	GU19548001	1	
9	Spring	-	-	-	-	GU19548101	1	
10	Hose clamp	-	-	-	-	GU93305074	1	
11	Swing arm	-	-	-	-	GU19540200	1	
12	Pin	-	-	-	-	GU19547000	2	
13	Spacer	-	-	-	-	GU35214300	1	
14	Nut	-	-	-	-	GU14547800	2	
15	Pin	-	-	-	-	GU19555200	1	
16	Screw	-	-	-	-	GU98052550	1	
17	Washer 10,2x18x2	-	-	-	-	GU95004210	1	
18	Nut	-	-	-	-	GU92602210	1	
19	Nut	-	-	-	-	GU92781081	4	
20	Washer 8,4X13X0,8	-	-	-	-	GU14615901	4	
21	Plug	-	-	-	-	GU93180105	2	

		<b>V 50 III POL./PA VECHIOTIPO 500 1982-1990</b>			<b>GU066</b>	<b>00</b>	<b>TAB N.</b>	<b>08</b>
								
Pos.	Description	Year	I_M_	Country	Version	Code	Q.ty	P.Cod.
1	Front master cilinder	-	-	-	BR	-	GU28660178	1
2	Front brake lever	-	-	-	BR	-	GU14605650	1
3	Tank cap	-	-	-	BR	-	GU17661052	1
4	Brake light switch	-	-	-	-	-	GU25657001	1
5	Lever overhaul kit	-	-	-	-	-	GU17659450	1
6	Brake caliper decal	-	-	-	-	-	GU19652700	1
7	Brake fluid line	-	-	-	-	-	GU63657121	1
8	Flexible pipe	-	-	-	-	-	GU61657140	1
9	Cap	-	-	-	-	-	GU12735100	1
10	Gasket	-	-	-	-	-	GU25656100	7
11	Oil pipe screw *	-	-	-	-	-	GU95990028	1
12	RH front brake caliper Grimeca	-	-	-	29895C	-	GU31652365	1
13	Spring washer 8x15x0,3	-	-	-	-	-	GU61270300	3
14	Washer 8,5X18X0,5	-	-	-	-	-	GU95100250	2
15	Screw	-	-	-	-	-	GU98622422	2
16	Pads pair BREMBO	-	-	-	-	-	GU27654610	1
	Pads pair GRIMECA	-	-	-	29895C	-	GU31654665	2
17	Brake caliper cover GRIMECA	-	-	-	29895C	-	GU31654765	1
	Brake caliper cover BREMBO	-	-	-	-	-	GU39654700	1
18	Rear pump rev. kit	-	-	-	BR	-	GU17659352	1
19	Bleeder+cap GRIMECA	-	-	-	29895C	-	GU31659265	1
	Bleeder+cap BREMBO D.6	-	-	-	-	-	GU65659200	1
20	Pins+spring GRIMECA	-	-	-	29895C	-	GU31659165	2
	Pins+spring BREMBO	-	-	-	-	-	GU39659100	1
21	Brake caliper rev. kit BREMBO	-	-	-	-	-	GU39659000	1
	Brake caliper rev. kit GRIMECA	-	-	-	29895C	-	GU66659031	1
23	Cap	-	-	-	-	-	GU39663801	1
24	Pin	-	-	-	-	-	GU95510311	1
25	Oil pipe connector screw	-	-	-	-	-	GU95990034	1
26	Distributor	-	-	-	-	-	GU14656800	1
27	Plate	-	-	-	-	-	GU39658480	1
28	Hex screw M6X20	-	-	-	-	-	GU98054320	1
29	Special washer	-	-	-	-	-	GU61013800	1
30	Nut	-	-	-	-	-	GU92602206	1
31	Hex screw M8X16	-	-	-	-	-	GU98054416	1


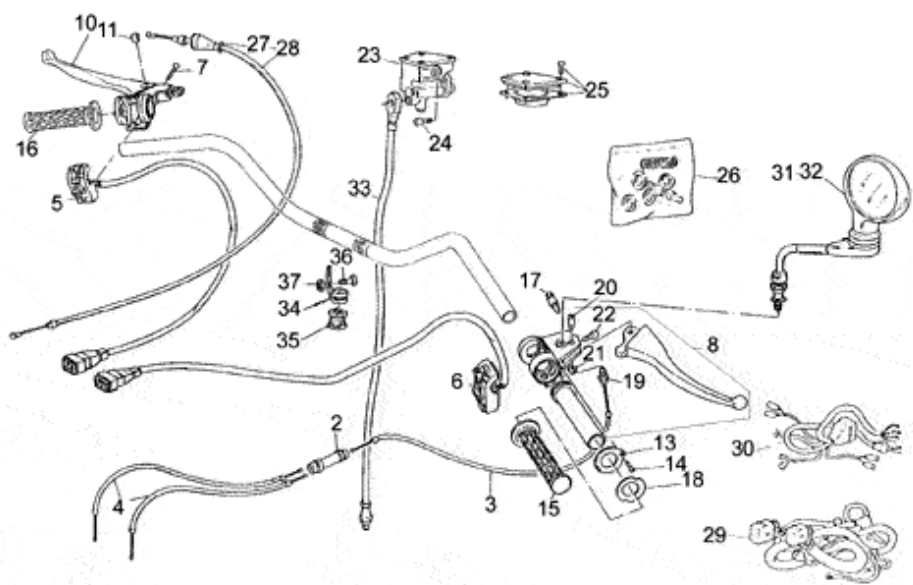



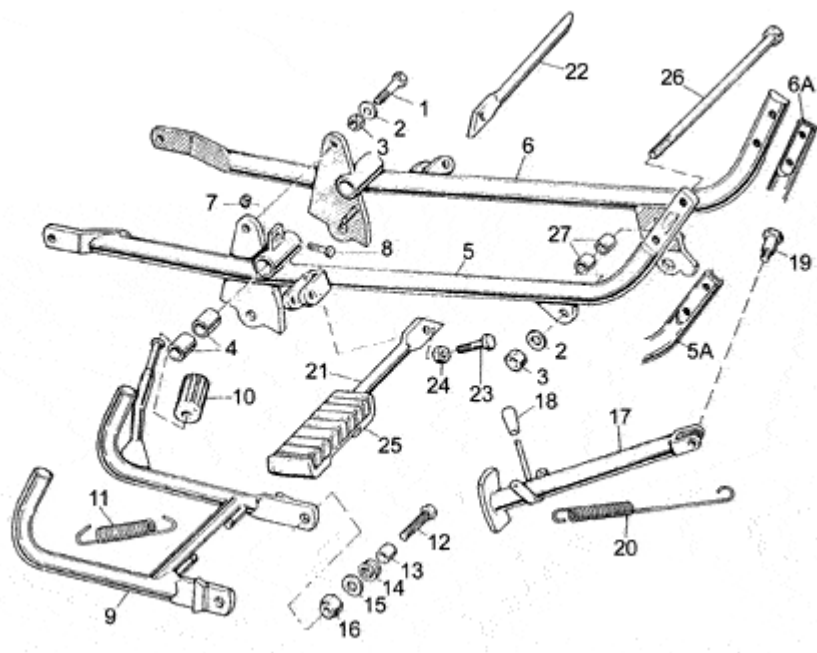
Pos.	Description	Year	I_M	Country	Version	Code	Q.ty	P.Cod.
1	Rear master cylinder	-	-	-	-	GU31666990	1	
2	Pump revision kit	-	-	-	-	GU17659350	1	
3	Lever overhaul kit	-	-	-	-	GU19659600	1	
4	Pump connection overhaul unit	-	-	-	-	GU19659500	1	
5	Rear brake lever	-	-	-	-	GU19667500	1	
6	Rear brake lever spring	-	-	-	-	GU19667600	1	
7	Washer 6,15x11x0,8	-	-	-	-	GU95008206	1	
8	Screw	-	-	-	-	GU98052326	2	
9	Special washer	-	-	-	-	GU61013800	2	
10	Notched washer	-	-	-	-	GU95021106	2	
11	Nut	-	-	-	-	GU92602206	2	
12	Connection	-	-	-	-	GU19668000	1	
13	Oil pipe screw *	-	-	-	-	GU95990028	2	
14	Gasket	-	-	-	-	GU25656100	7	
15	Brake line	-	-	-	-	GU17657101	1	
16	Brake light switch	-	-	-	-	GU14657050	1	
17	Rear brake caliper	-	-	-	-	GU23653011	1	
18	Brake caliper rev. kit GRIMECA	-	-	-	29895C	GU66659031	1	
	Brake caliper rev. kit BREMBO	-	-	-	-	GU39659000	2	
19	Pins+spring GRIMECA	-	-	-	29895C	GU31659165	2	
	Pins+spring BREMBO	-	-	-	-	GU39659100	2	
20	Bleeder+cap GRIMECA	-	-	-	29895C	GU31659265	1	
	Bleeder+cap BREMBO D.6	-	-	-	-	GU65659200	2	
21	Pads pair GRIMECA	-	-	-	29895C	GU31654665	2	
	Pads pair BREMBO	-	-	-	-	GU27654610	2	
22	Brake caliper cover GRIMECA	-	-	-	29895C	GU31654765	1	
	Brake caliper cover BREMBO	-	-	-	-	GU39654700	2	
23	Screw	-	-	-	-	GU98622422	4	
24	Spring washer 8x15x0,3	-	-	-	-	GU61270300	4	
25	Washer 8,5X18X0,5	-	-	-	-	GU95100250	2	
	Washer 8,5X18X0,8	-	-	-	-	GU95100251	2	
26	Pipe	-	-	-	-	GU19658735	1	
27	Piston ring	-	-	-	-	GU17659650	3	
28	Rear brake hose	-	-	-	-	GU00823950050	1	


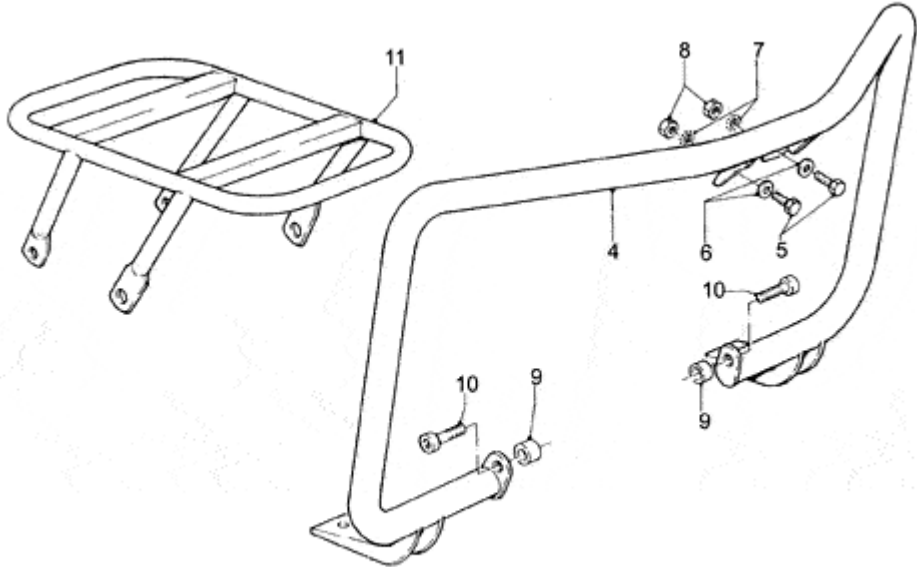
29	Hose clamp	-	-	-	-	-	GU69157801	2
30	Hose clamp	-	-	-	-	-	GU61609630	1
31	Brake hose	-	-	-	-	-	GU17658860	1
32	LH front brake caliper Grimeca	-	-	-	29895C	-	GU31652265	1
33	Rear brake lever	-	-	-	-	-	GU19677000	1
34	Rubber spacer	-	-	-	-	-	GU14251001	1
35	Spring washer	-	-	-	-	-	GU95129260	1
36	Flat washer	-	-	-	-	-	GU95004215	1
37	Split pin	-	-	-	-	-	GU95500227	1
39	Change gear tie rod compl.	-	-	-	-	-	GU19675000	1
40	Nut	-	-	-	-	-	GU92690073	1
41	Block	-	-	-	-	-	GU18257551	1
42	Circlip	-	-	-	-	-	GU90271008	1
43	Pin	-	-	-	-	-	GU95770265	1
44	Washer	-	-	-	-	-	GU95129110	1
45	Split pin	-	-	-	-	-	GU95500222	1
46	Screw	-	-	-	-	-	GU98052220	2
47	Washer 6,4x12x1,2	-	-	-	-	-	GU95100141	2
50	Rear brake cal. decal	-	-	-	-	-	GU19654900	2
51	Cap	-	-	-	-	-	GU12735100	1
52	Brake caliper decal	-	-	-	-	-	GU19652700	1
53	Brake oil tank	-	-	-	-	-	GU65663500	1
54	Tank cap	-	-	-	-	-	GU17661052	1

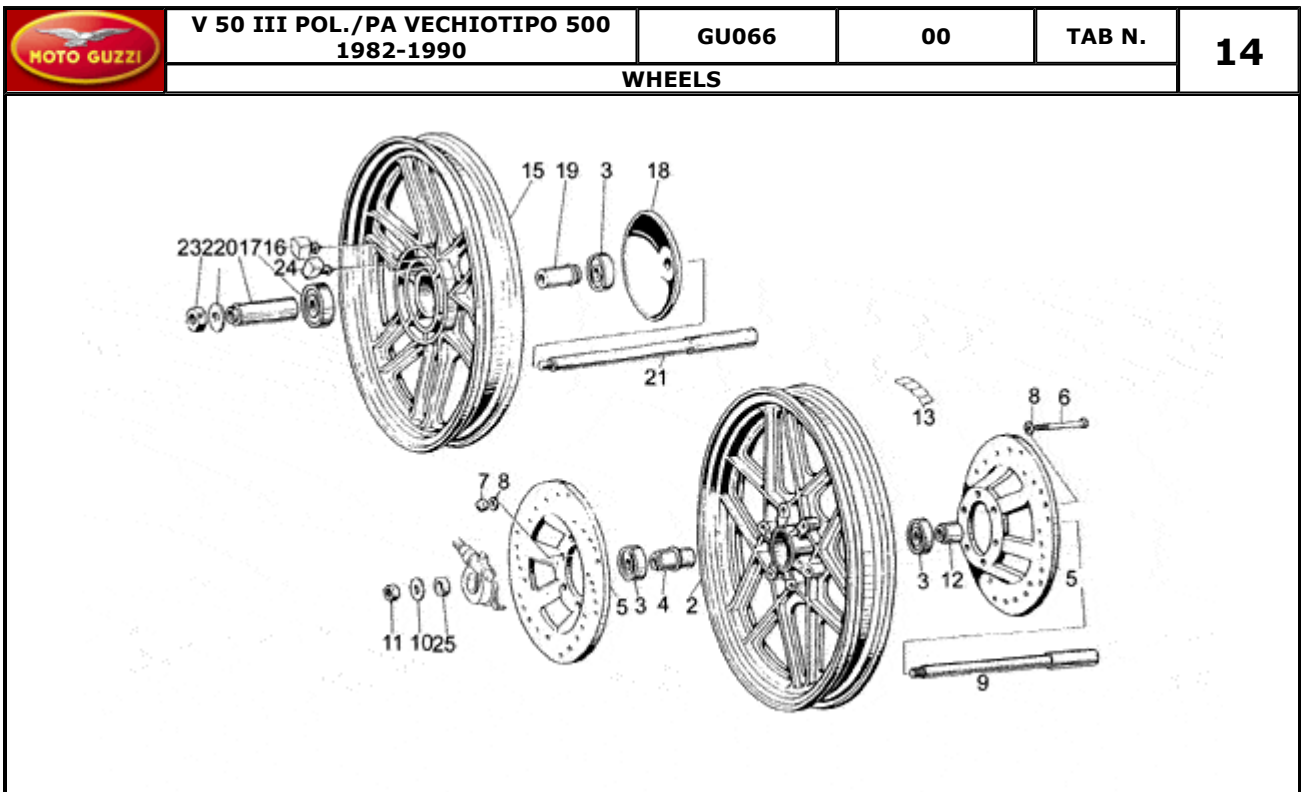
Pos.	Description	Year	I_M	Country	Version	Code	Q.ty	P.Cod.																			
																											
<table border="1"> <thead> <tr> <th colspan="2">V 50 III POL./PA VECHIOTIPO 500</th> <th>GU066</th> <th>00</th> <th>TAB N.</th> <th>10</th> </tr> <tr> <th colspan="6">1982-1990</th> </tr> <tr> <th colspan="6">HANDLEBAR - CONTROLS</th> </tr> </thead> </table>										V 50 III POL./PA VECHIOTIPO 500		GU066	00	TAB N.	10	1982-1990						HANDLEBAR - CONTROLS					
V 50 III POL./PA VECHIOTIPO 500		GU066	00	TAB N.	10																						
1982-1990																											
HANDLEBAR - CONTROLS																											
3	Washer	-	-	-	-	GU95090142	2																				
4	Clutch lever control	-	-	-	-	GU19605501	1																				
6	Throttle	-	-	-	-	GU19603495	1																				
7	4-way connector	-	-	-	-	GU17756160	1																				
8	Cap	-	-	-	-	GU17756060	1																				
9	RH hand grip	-	-	-	-	GU65603500	1																				
10	LH hand grip	-	-	-	-	GU65603000	1																				
11	Handlebar	-	-	-	-	GU18600301	1																				
12	Instrument support	-	-	-	-	GU19501500	1																				
13	Rubber spacer	-	-	-	-	GU66502200	2																				
14	Rubber spacer	-	-	-	-	GU66502201	2																				
15	Washer	-	-	-	-	GU95090142	2																				
16	Washer	-	-	-	-	GU18577850	2																				
17	Screw	-	-	-	-	GU98052326	2																				
18	Speedometer	-	-	-	-	GU19761500	1																				
19	Speedometer transmission	-	-	-	-	GU61760440	1																				
20	Odometer gear	-	-	-	-	GU39762501	1																				
21	Tachometer	-	-	-	-	GU19767200	1																				
22	Gear Z=14	-	-	-	-	GU14769200	1																				
23	Rev counter transmission	-	-	-	-	GU19768100	1																				
24	Sheath	-	-	-	-	GU17762200	2																				
25	Support	-	-	-	-	GU14769155	1																				
26	Lampholder	-	-	-	-	GU14768651	7																				
27	Lamp 12V-1,2W	-	-	-	-	GU93450140	7																				
28	Screw	-	-	-	-	GU98830225	2																				
29	Notched washer	-	-	-	-	GU95021105	2																				
30	Lampholder	-	-	-	-	GU14768650	2																				
31	Lamp 12v-3w	-	-	-	-	GU93450120	2																				
32	LH lights selector	-	-	-	-	GU65738000	1																				
33	Connector	-	-	-	-	GU61740551	1																				
34	Rubber protection	-	-	-	-	GU35755780	1																				
35	Throttle cable	-	-	-	-	GU19117595	2																				
36	Operator's handbook	-	-	-	-	GU19900080	1																				

37	Toolkit	-	-	-	-	-	GU28929940	1
38	O-ring	-	-	-	-	-	GU45212400	2
39	Reset button	-	-	-	-	-	GU19762810	1
40	Fixed remote con.supp.	-	-	-	-	-	GU19502390	1
41	Rubber spacer	-	-	-	-	-	GU91551085	1
42	Mobile remote con.supp.	-	-	-	-	-	GU19502890	1
43	Hex screw M6X16	-	-	-	-	-	GU98054316	2
44	Notched washer	-	-	-	-	-	GU95021106	2
45	Nut M6x1	-	-	-	-	-	GU92630106	2
46	Screw	-	-	-	-	-	GU98830445	2
47	RH rearview mirror	-	-	-	-	-	GU28999546	2
48	Telephone support	-	-	-	-	-	GU17502645	1
49	Button	-	-	-	-	-	GU17756345	1
50	Support	-	-	-	-	-	GU18504080	1
51	Screw	-	-	-	-	-	GU98200312	2
52	Screw	-	-	-	-	-	GU98200306	2
53	Screw	-	-	-	-	-	GU98074314	1
54	Notched washer	-	-	-	-	-	GU95021106	1
55	Nut	-	-	-	-	-	GU92601206	1
56	Clutch cable	-	-	-	-	-	GU19093095	1


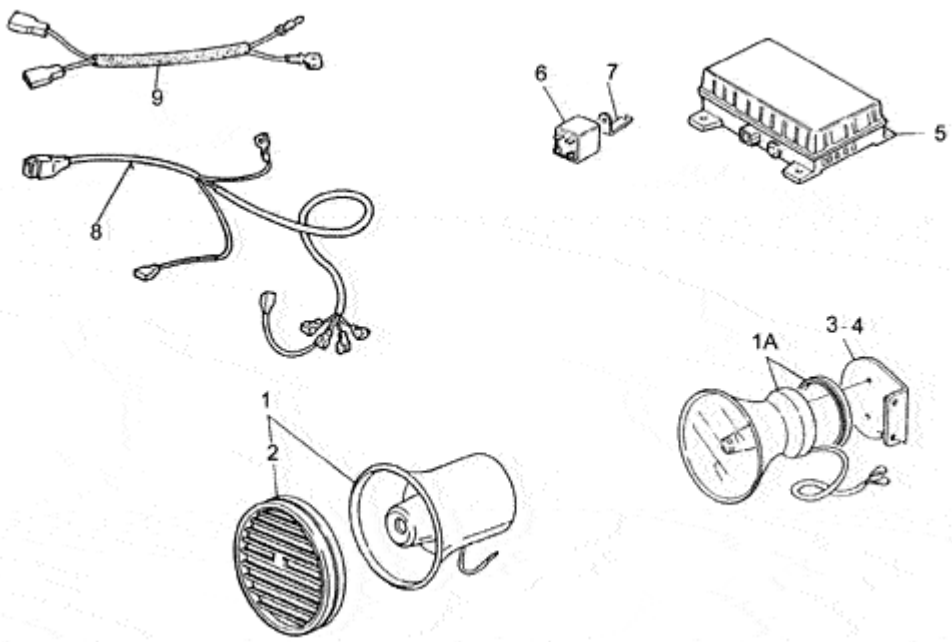
		<b>V 50 III POL./PA VECHIOTIPO 500 1982-1990</b>		<b>GU066</b>	<b>00</b>	<b>TAB N.</b>	<b>11</b>	
<b>MAGURA HANDLEBAR CONTROLS</b>								
								
Pos.	Description	Year	I_M	Country	Version	Code	Q.ty	P.Cod.
2	Splitter	-	-	-	-	GU30607910	1	
3	Throttle cable	-	-	-	-	GU23117570	1	
4	Throttle cable	-	-	-	-	GU23117770	2	
5	LH lights selector	-	-	-	-	GU19738015	1	
6	RH lights selector	-	-	-	-	GU19750315	1	
7	Screw	-	-	-	-	GU98260425	2	
8	Throttle cable assy	-	-	-	-	GU29999250	1	
10	Clutch lever	-	-	-	-	GU29605550	1	
11	Bush	-	-	-	-	GU29608750	1	
13	Side cover	-	-	-	-	GU29603650	1	
14	Screw	-	-	-	-	GU98280410	1	
15	RH hand grip	-	-	-	-	GU29603550	1	
16	LH hand grip	-	-	-	-	GU29603050	1	
17	Brake light switch	-	-	-	-	GU39741101	1	
18	Nylon washer	-	-	-	-	GU29604650	1	
19	Cable-guide	-	-	-	-	GU29603750	1	
20	Screw	-	-	-	-	GU29604850	1	
21	Nut	-	-	-	-	GU92601206	1	
22	Hex socket screw M6x16	-	-	-	-	GU98612316	1	
23	Front master cilinder	-	-	-	-	GU29660250	1	
24	Screw	-	-	-	-	GU98812216	2	
25	Cover	-	-	-	-	GU23661110	1	
26	Brake mast.cyl rev. kit	-	-	-	-	GU23659310	1	
27	Clutch cable	-	-	-	-	GU23093070	1	
28	Bellows	-	-	-	-	GU23093870	1	
29	Electrical system	-	-	-	-	GU19747195	1	
30	Headlight wiring w/harness	-	-	-	-	GU19747295	1	
31	RH rearview mirror	-	-	-	-	GU28999546	1	
32	RH rearview mirror	-	-	-	-	GU28999546	1	
33	Front brake line	-	-	-	-	GU23657110	1	
34	Hose clamp	-	-	-	-	GU17658360	1	
35	Ring	-	-	-	-	GU17658260	1	
36	Screw	-	-	-	-	GU98280410	1	
37	Nut M4x0,7	-	-	-	-	GU92630104	1	


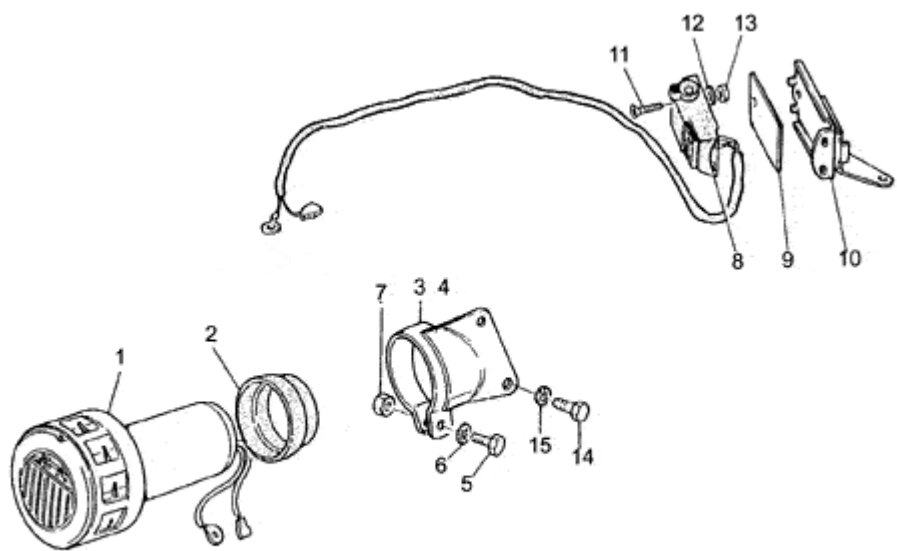
		V 50 III POL./PA VECHIOTIPO 500 1982-1990		GU066	00	TAB N.	12	
FOOT RESTS - LATERAL STAND								
								
Pos.	Description	Year	I_M	Country	Version	Code	Q.ty	P.Cod.
1	Screw	-	-	-	-	GU98052565	2	
2	Washer 10,2x18x2	-	-	-	-	GU95004210	3	
3	Nut	-	-	-	-	GU92602210	3	
4	Bush 19 mm	-	-	-	-	GU18252050	4	
5	RH cradle arm	-	-	-	1A	GU19420300	1	
	RH cradle arm	-	-	-	T	GU19420320	1	
6	LH cradle arm	-	-	-	1A	GU19422100	1	
	LH cradle arm	-	-	-	T	GU19422120	1	
7	Nut	-	-	-	-	GU92602206	1	
8	Hex screw M6X22	-	-	-	-	GU98054322	1	
9	Central stand	-	-	-	-	GU19430305	1	
10	Rubber pedal	-	-	-	-	GU13432640	1	
11	Lateral stand spring	-	-	-	-	GU12434001	2	
12	Screw	-	-	-	-	GU98054530	2	
13	Spacer	-	-	-	-	GU91181114	2	
14	Spring	-	-	-	-	GU94322215	1	
15	Washer	-	-	-	-	GU95000210	2	
16	Nut M10x1,5	-	-	-	-	GU92630510	2	
17	Lateral stand	-	-	-	-	GU19432000	1	
18	Lockup rubber	-	-	-	-	GU19433000	1	
19	Pin	-	-	-	-	GU99105126	1	
20	Spring	-	-	-	-	GU19434000	2	
21	RH pipe	-	-	-	-	GU39440700	1	
22	LH pipe	-	-	-	-	GU39441800	1	
23	Screw	-	-	-	-	GU98820430	2	
24	Nut M8X1,25	-	-	-	-	GU92602208	2	
25	Front footrest	-	-	-	-	GU39443200	2	
26	Pin M10x250	-	-	-	-	GU53429500	1	
27	Bush	-	-	-	-	GU19017000	2	

		<b>V 50 III POL./PA VECHIOTIPO 500</b> <b>1982-1990</b>		<b>GU066</b>	<b>00</b>	<b>TAB N.</b>	<b>13</b>	
<b>LUGGAGE RACK</b>								
								
Pos.	Description	Year	I_M_	Country	Version	Code	Q.ty	P.Cod.
4	Front bumper	-	-	-	-	GU19450290	1	
5	Hex screw M8X20	-	-	-	-	GU98054420	2	
6	Washer	-	-	-	-	GU95004208	2	
7	Spring washer	-	-	-	-	GU95021108	2	
8	Nut M8X1,25	-	-	-	-	GU92602208	2	
9	Spacer	-	-	-	-	GU91181112	2	
10	Screw M10X40	-	-	-	-	GU98620540	2	
11	Luggage rack	-	-	-	-	GU19466590	1	



Pos.	Description	Year	I_M	Country	Version	Code	Q.ty	P.Cod.
2	Front wheel	-	-	-	-	GU19610305	1	
3	Bearing	-	-	-	-	GU92204217	3	
4	Spacer	-	-	-	-	GU19615335	1	
5	Brake disc	-	-	-	-	GU31613380	2	
6	Hex screw M8X75	-	-	-	-	GU98052475	6	
7	Cap nut	-	-	-	-	GU92730082	6	
8	Washer	-	-	-	-	GU95004208	12	
9	Front wheel spindle	-	-	-	-	GU19614100	1	
10	Washer 17X27X2	-	-	-	-	GU95004217	1	
11	Nut M16X1,5	-	-	-	-	GU92602516	1	
12	Spacer	-	-	-	-	GU61616330	1	
13	Counterweight	-	-	-	-	GU14616150	3	
15	Rear wheel	-	-	-	-	GU19630600	1	
16	LH rubber coupling	-	-	-	-	GU19632502	6	
17	Bearing	-	-	-	-	GU92204218	1	
18	Protection	-	-	-	-	GU19636400	1	
19	Bearing internal spacer	-	-	-	-	GU19633935	1	
20	Spacer	-	-	-	-	GU19634100	1	
21	Rear wheel spindle	-	-	-	-	GU19633300	1	
22	Washer	-	-	-	-	GU14634400	1	
23	Nut M6X1,5	-	-	-	-	GU92602316	1	
24	RH rubber coupling	-	-	-	-	GU19632501	6	
25	Spacer	-	-	-	-	GU61615630	1	

		<b>V 50 III POL./PA VECHIOTIPO 500</b> <b>1982-1990</b>		<b>GU066</b>	<b>00</b>	<b>TAB N.</b>	<b>15</b>	
<b>TWO-TONE SIRENS</b>								
								
Pos.	Description	Year	I_M	Country	Version	Code	Q.ty	P.Cod.
1	Small two-tone siren	-	-	-	-	GU28743747	2	
	Large two-tone siren	-	-	-	-	GU19743797	2	
2	Grid	-	-	-	-	GU17743985	2	
3	RH siren support	-	-	-	-	GU19744297	1	
4	LH siren support	-	-	-	-	GU19744397	1	
5	Electronic control unit	-	-	-	-	GU28737680	1	
6	Siren relay SWF	-	-	-	-	GU28732545	1	
7	Relais support	-	-	-	-	GU28732946	1	
8	Wiring	-	-	-	-	GU19726197	1	
9	Wiring	-	-	-	-	GU19725595	1	

		<b>V 50 III POL./PA VECHIOTIPO 500</b> <b>1982-1990</b>		<b>GU066</b>	<b>00</b>	<b>TAB N.</b>	<b>16</b>	
<b>ONE-TONE SIRENS</b>								
								
Pos.	Description	Year	I_M_	Country	Version	Code	Q.ty	P.Cod.
1	One-tone siren	-	-	-	-	GU28743745	2	
2	Gasket	-	-	-	-	GU28743845	2	
3	RH siren support	-	-	-	-	GU19744295	1	
4	LH siren support	-	-	-	-	GU19744296	1	
5	Hex screw M6X22	-	-	-	-	GU98054322	2	
6	Notched washer	-	-	-	-	GU95021106	2	
7	Nut	-	-	-	-	GU92602206	2	
8	Siren-light controls	-	-	-	-	GU28756481	1	
9	Insert	-	-	-	-	GU28756645	1	
10	Support	-	-	-	-	GU19756790	1	
11	Screw	-	-	-	-	GU98270420	1	
12	Washer	-	-	-	-	GU95129080	1	
13	Nut	-	-	-	-	GU92602204	1	
14	Hex screw M8X16	-	-	-	-	GU98054416	4	
15	Spring washer	-	-	-	-	GU95021108	4	



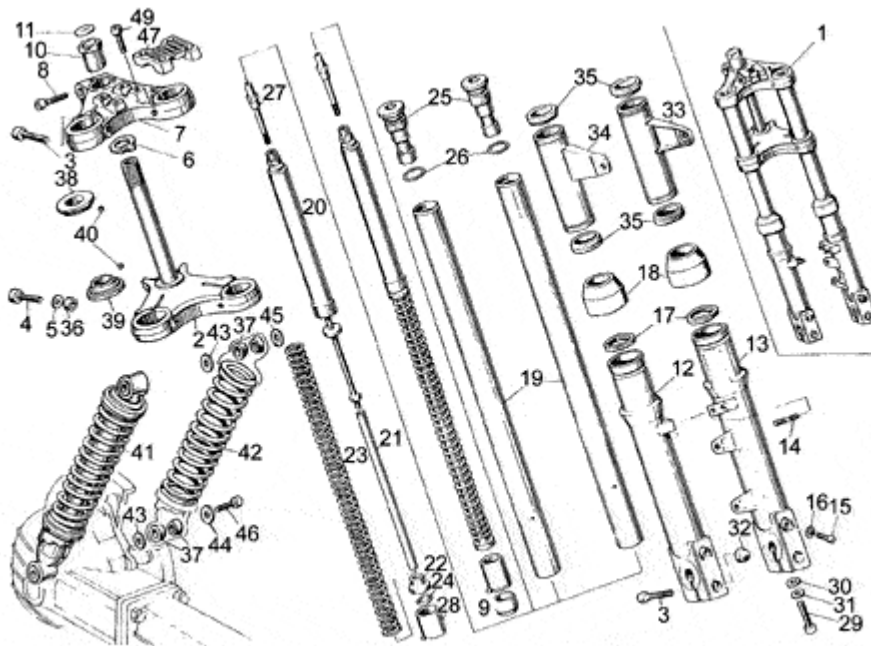
**V 50 III POL./PA VECHIOTIPO 500**  
1982-1990

**GU066**

**00**


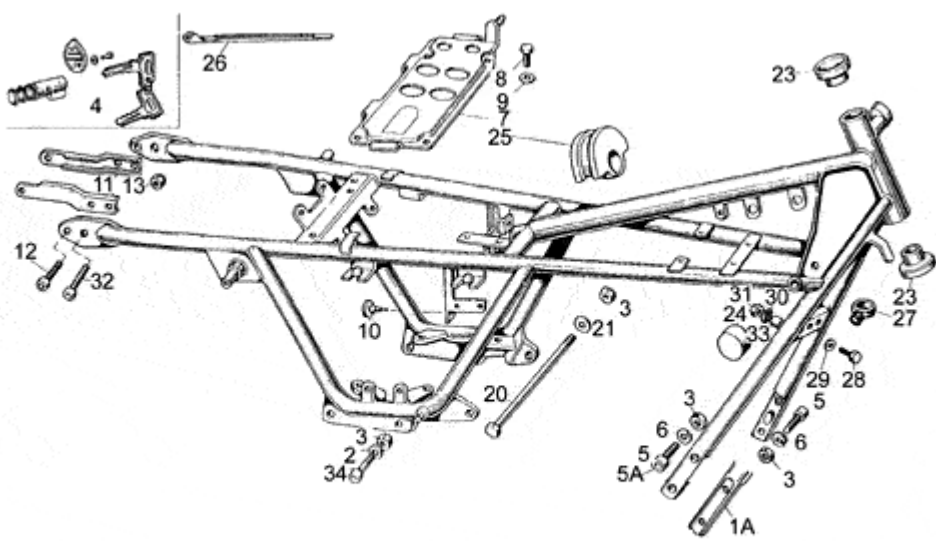
**TAB N.**

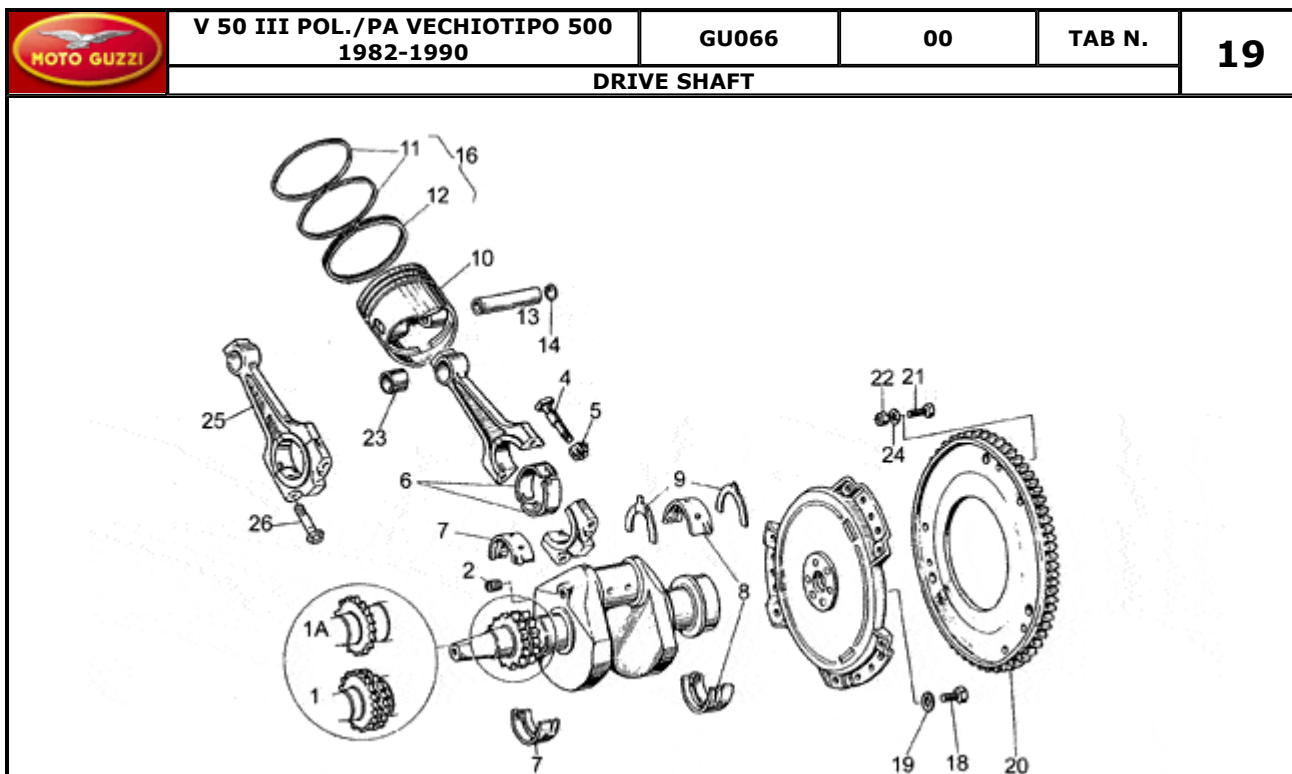
**17**




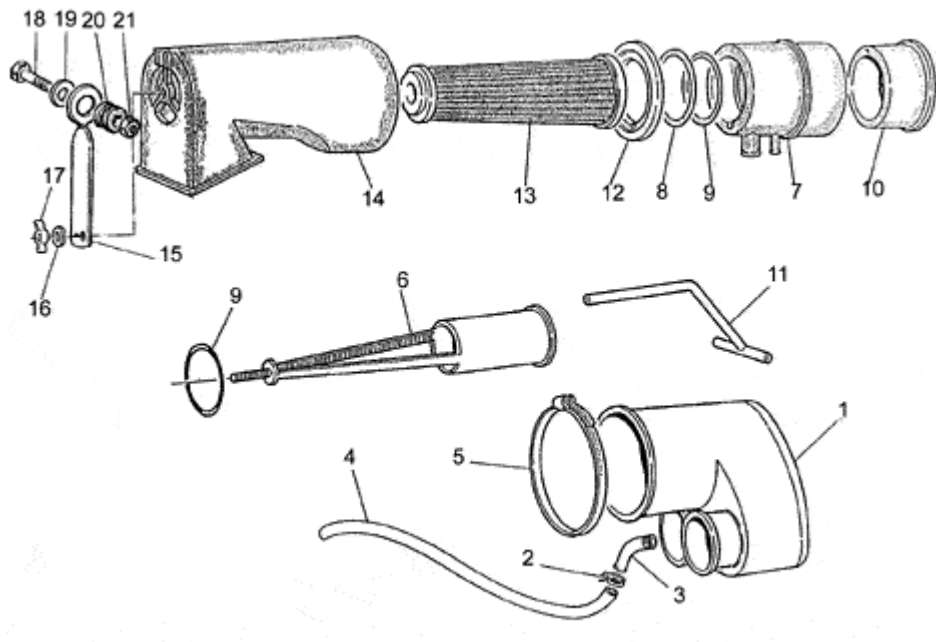
Pos.	Description	Year	I_M	Country	Version	Code	Q.ty	P.Cod.
1	Front fork	-	-	-	-	GU19490305	1	
2	Lower plate	-	-	-	-	GU394940021	1	
3	Screw M10X40	-	-	-	-	GU98620540	4	
4	Screw	-	-	-	-	GU98620555	2	
5	Washer 10,2x18x2	-	-	-	-	GU95004210	2	
6	Washer	-	-	-	-	GU62493200	1	
7	Upper plate	-	-	-	-	GU39493101	1	
8	Screw M8X35	-	-	-	-	GU98620435	1	
9	Spacer	-	-	-	-	GU61527441	2	
10	Bush	-	-	-	-	GU14516600	1	
11	Plug	-	-	-	-	GU17517700	1	
12	LH sleeve	-	-	-	-	GU195226001	1	
13	RH sleeve	-	-	-	-	GU195225001	1	
14	Stud bolt	-	-	-	-	GU96508021	4	
15	Oil unload plug	-	-	-	-	GU98620312	2	
16	Washer 6,25x10x1,5	-	-	-	-	GU95100116	2	
17	Oil seal	-	-	-	-	GU90403144	2	
18	Dust cover	-	-	-	-	GU53524540	2	
19	Sleeve	-	-	-	-	GU39525401	2	
20	Fork shock absorber	-	-	-	-	GU14526407	2	
21	Plunger	-	-	-	-	GU53527840	2	
22	Spring seat	-	-	-	-	GU53527940	2	
23	Fork spring	-	-	-	-	GU19526600	2	
24	Circlip	-	-	-	-	GU90271012	2	
25	Plug	-	-	-	-	GU39504501	2	
26	O-ring	-	-	-	-	GU90706202	2	
27	Stud bolt	-	-	-	-	GU19504800	2	
28	Cup	-	-	-	-	GU53527640	2	
29	Screw	-	-	-	-	GU98621440	2	
30	Gasket 8,25x15x1	-	-	-	-	GU12154200	2	
31	Washer	-	-	-	-	GU95004208	2	
32	Nut	-	-	-	-	GU92781100	2	
33	LH headlight supp.	-	-	-	-	GU194962001	1	

34	RH headlight supp.	-	-	-	-	-	GU194961001	1
35	O-ring	-	-	-	-	-	GU39492701	4
36	Spacer	-	-	-	-	-	GU91181110	2
37	Bush	-	-	-	-	-	GU10551600	8
38	Plug	-	-	-	-	-	GU61514940	1
39	Steering race	-	-	-	00201N	-	GU61515240	1
40	Ball	-	-	-	-	-	GU92295704	44
41	Shock absorber	-	-	-	-	-	GU23999290	2
42	Spring	-	-	-	-	-	GU19552300	2
43	Flat washer	-	-	-	-	-	GU95004215	4
44	Washer	-	-	-	-	-	GU95100255	2
45	Washer	-	-	-	-	-	GU95000208	2
46	Screw	-	-	-	-	-	GU98822416	4
47	Handlebar U-bolt	-	-	-	-	-	GU19500200	1
49	Screw	-	-	-	-	-	GU98830430	2

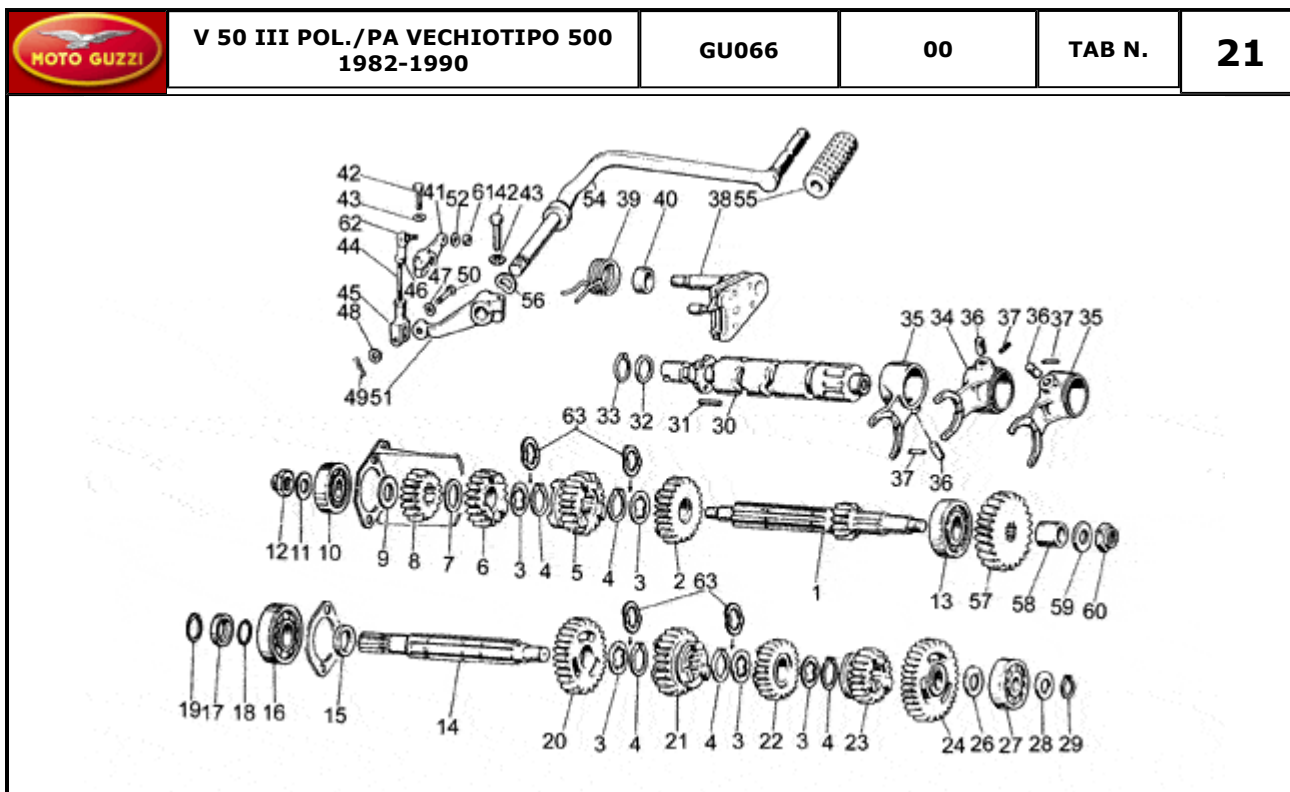
		V 50 III POL./PA VECHIOTIPO 500 1982-1990		GU066	00	TAB N.	18	
FRAME								
								
Pos.	Description	Year	I_M_	Country	Version	Code	Q.ty	P.Cod.
1	Frame	-	-	-	-	GU19400120	1	
2	Washer 10,2x18x2	-	-	-	-	GU95004210	2	
3	Nut	-	-	-	-	GU92602210	7	
4	Lock	-	-	-	-	GU19782520	1	
5	Screw	-	-	-	-	GU98622522	4	
	Screw 25 mm	-	-	-	-	GU98622525	4	
6	Washer	-	-	-	-	GU95120105	4	
7	Plate	-	-	-	-	GU19418200	1	
8	Screw	-	-	-	-	GU98054418	4	
9	Washer	-	-	-	-	GU95004208	4	
10	Drift	-	-	-	-	GU19705900	4	
11	Rear mudguard supp.	-	-	-	-	GU19439100	2	
12	Screw	-	-	-	-	GU98822418	2	
13	Nut	-	-	-	-	GU92630508	4	
20	Pin M10x205	-	-	-	-	GU98110199	1	
21	Washer 10,2x18x2	-	-	-	-	GU95004210	1	
23	Plug	-	-	-	-	GU39515000	2	
24	Drift	-	-	-	-	GU39103400	2	
25	Drift	-	-	-	-	GU14107100	1	
26	Hose clamp	-	-	-	-	GU61609630	1	
27	Eyelet	-	-	-	-	GU19436500	1	
28	Screw	-	-	-	-	GU98830430	1	
29	Washer	-	-	-	-	GU95000208	1	
30	Spring washer	-	-	-	-	GU95021108	1	
31	Nut M8X1,25	-	-	-	-	GU92602208	1	
32	Screw	-	-	-	-	GU98822420	2	
33	Spacer	-	-	-	-	GU91181016	1	
34	Screw	-	-	-	-	GU98052555	2	



Pos.	Description	Year	I_M	Country	Version	Code	Q.ty	P.Cod.
1	Drive shaft	-	-	-	M1	GU19064280	1	
	Crankshaft with plug	-	-	-	M3	GU19064181	1	
2	Plug	-	-	-	-	GU19065400	1	
4	Connecting rod screw	-	-	-	M2	GU19062220	4	
5	Nut	-	-	-	M2	GU61602401	4	
6	Bearing half-shell	-	-	-	-	GU19062022	4	
7	Front main half-bearing	-	-	-	-	GU19065623	2	
8	Rear main half-bearing	-	-	-	-	GU19066522	2	
9	Shoulder	-	-	-	-	GU31066480	2	
10	Piston	-	-	-	-	GU19060481	2	
	Piston	-	-	-	D	GU23060400	2	
11	Ring	-	-	-	-	GU19060750	4	
12	Oil scraper ring	-	-	-	-	GU19061050	2	
13	Piston pin	-	-	-	-	GU19061280	2	
14	Stop ring	-	-	-	-	GU19061320	4	
16	Piston rings set	-	-	-	-	GU19060650	2	
18	Screw	-	-	-	-	GU19067700	6	
19	Washer 8,4X13X0,8	-	-	-	-	GU14615901	6	
20	Chain ring MOTOPLAT	-	-	-	-	GU19067900	1	
21	Screw	-	-	-	-	GU98054318	6	
22	Nut M6x1	-	-	-	-	GU92630106	6	
23	Bush	-	-	-	-	GU19061821	2	
24	Washer 6,4x10x0,7	-	-	-	-	GU14217901	6	
25	Connecting rod	-	-	-	-	GU19061521	2	
26	Screw	-	-	-	M4	GU19062221	4	


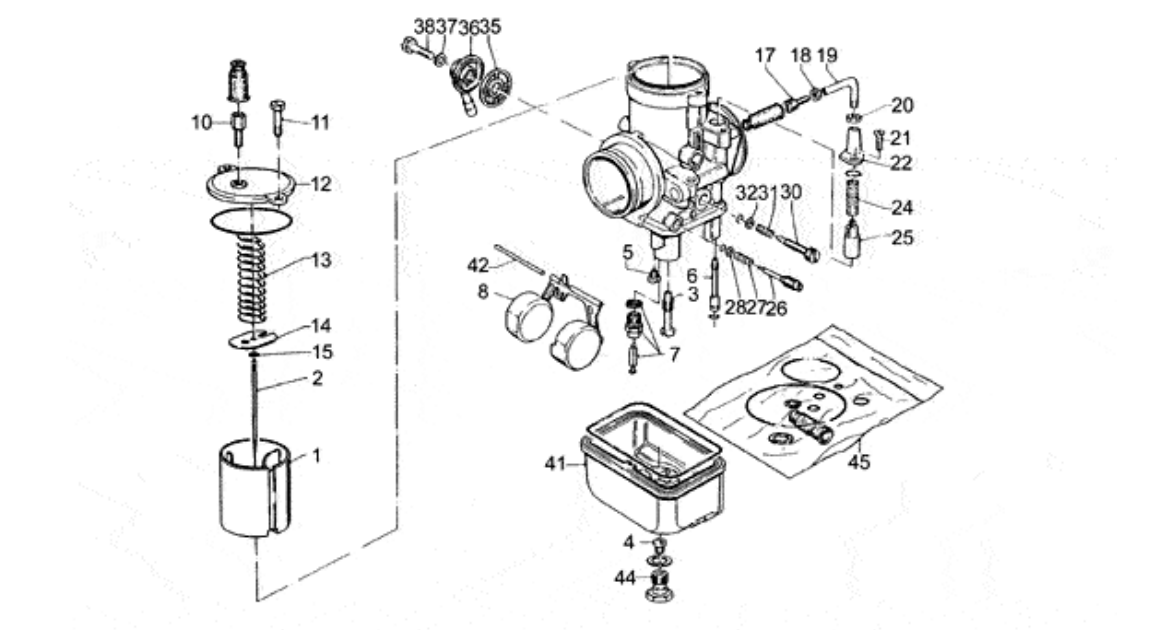
		V 50 III POL./PA VECHIOTIPO 500 1982-1990	GU066	00	TAB N.	20		
INTAKE								
								
Pos.	Description	Year	I_M_	Country	Version	Code	Q.ty	P.Cod.


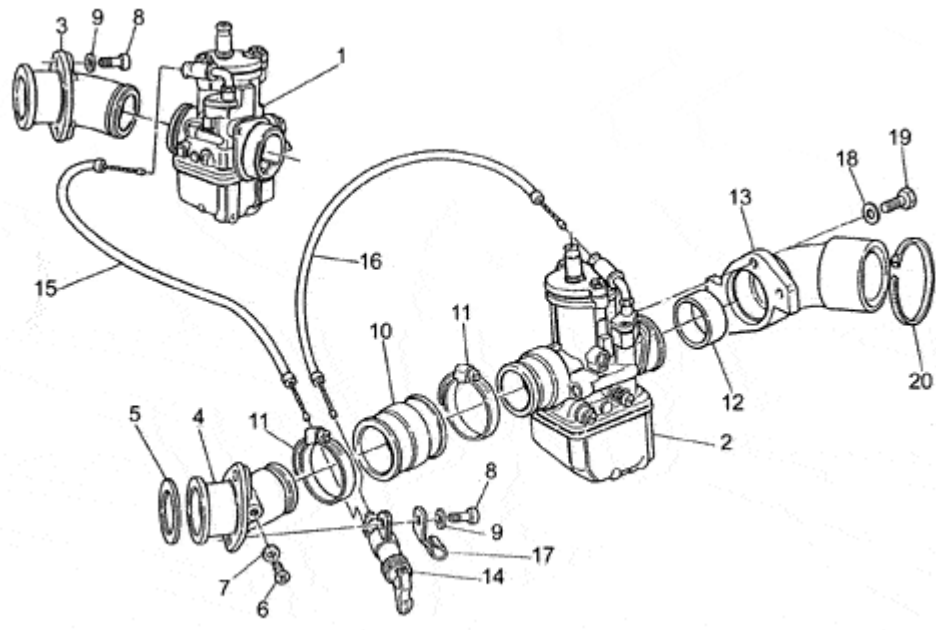
1	Intake manifold	-	-	-	-	GU19114300	1	
2	Hose clamp	-	-	-	-	GU93305092	1	
3	Pipe	-	-	-	-	GU17114650	1	
4	Breather pipe	-	-	-	-	GU95985532	1	
5	Hose clamp 3,6x20,6	-	-	-	-	GU14609650	1	
6	Air filter support	-	-	-	-	GU19155775	1	
7	Front hose	-	-	-	-	GU19156701	1	
8	Gasket	-	-	-	-	GU19113900	1	
9	Gasket ring	-	-	-	-	GU90706552	2	
10	Rear hose	-	-	-	-	GU19156900	1	
11	Breather pipe	-	-	-	-	GU19156001	1	
12	Ring	-	-	-	-	GU17113450	1	
13	Air filter	-	-	-	-	GU17113651	1	
14	Filter cover	-	-	-	-	GU17114050	1	
15	Plate	-	-	-	-	GU19114100	1	
16	Washer 5,25x14x1,5	-	-	-	-	GU95100059	1	
17	Nut	-	-	-	-	GU92670305	1	
18	Screw	-	-	-	-	GU98052222	1	
19	Washer 5,25x14x1,5	-	-	-	-	GU95100059	1	
20	Rubber spacer	-	-	-	-	GU91551085	1	
21	Nut	-	-	-	-	GU92630105	1	


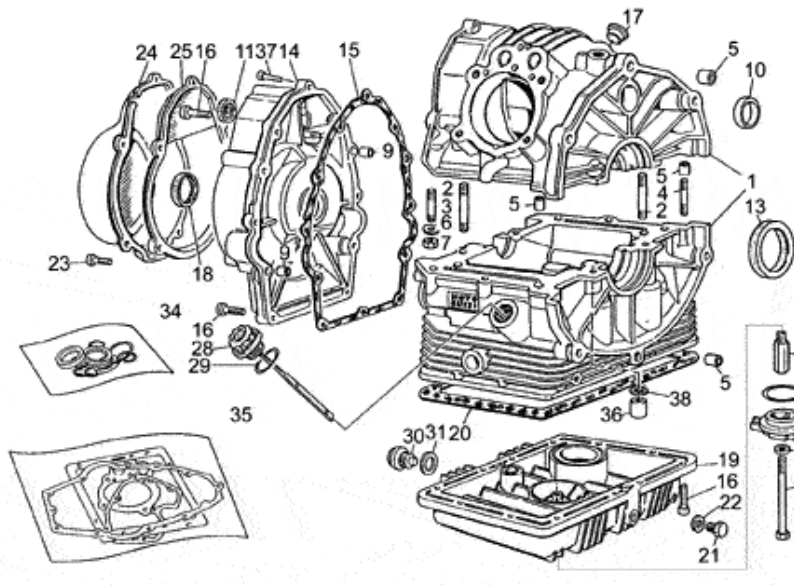


Pos.	Description	Year	I_M_	Country	Version	Code	Q.ty	P.Cod.
1	Primary gear shaft Z=11	-	-	-	-	GU19210520	1	
2	Gear 5a AS Z=22	-	-	-	-	GU19212020	1	
3	Thrust washer mm1	-	-	-	-	GU19215420	5	
4	Circlip	-	-	-	-	GU90271220	5	
5	Gear 4a AS Z=22	-	-	-	-	GU19211820	1	
6	Gear 3a AS Z=18	-	-	-	-	GU19211420	1	
7	Thrust washer	-	-	-	-	GU19214620	1	
8	Gear	-	-	-	-	GU19211320	1	
9	Washer	-	-	-	-	GU19212800	1	
10	Ball bearing	-	-	-	-	GU92201415	1	
11	Clearance washer	-	-	-	-	GU39238100	1	
12	Nut	-	-	-	-	GU10054100	1	
13	Bearing 20X47X14	-	-	-	-	GU92201220	1	
14	Driven shaft	-	-	-	-	GU19213620	1	
15	Spacer	-	-	-	-	GU19212900	1	
16	Bearing 20X47X14	-	-	-	-	GU92201220	1	
17	Spacer	-	-	-	-	GU19213720	1	
18	Gasket ring 18,77X1,78	-	-	-	-	GU90706188	1	
19	Circlip	-	-	-	-	GU90271121	1	
20	Gear	-	-	-	-	GU19214501	1	
21	Gear	-	-	-	-	GU19214820	1	
22	Gear	-	-	-	-	GU19215121	1	
23	Gear	-	-	-	-	GU19215220	1	
24	Gear	-	-	-	-	GU19214001	1	
26	Washer	-	-	-	C1	GU43070940	1	
	Washer	-	-	-	C2	GU65214300	1	
27	Ball bearing	-	-	-	C1	GU92201415	1	
28	Spacer	-	-	-	C2	GU35214300	1	
	Thrust washer	-	-	-	-	GU39239300	1	
29	Circlip	-	-	-	-	GU90271115	1	
30	Shift cam	-	-	-	-	GU19234420	1	
31	Pin	-	-	-	-	GU19234600	4	
32	Spacer 1 mm	-	-	-	-	GU19355300	1	

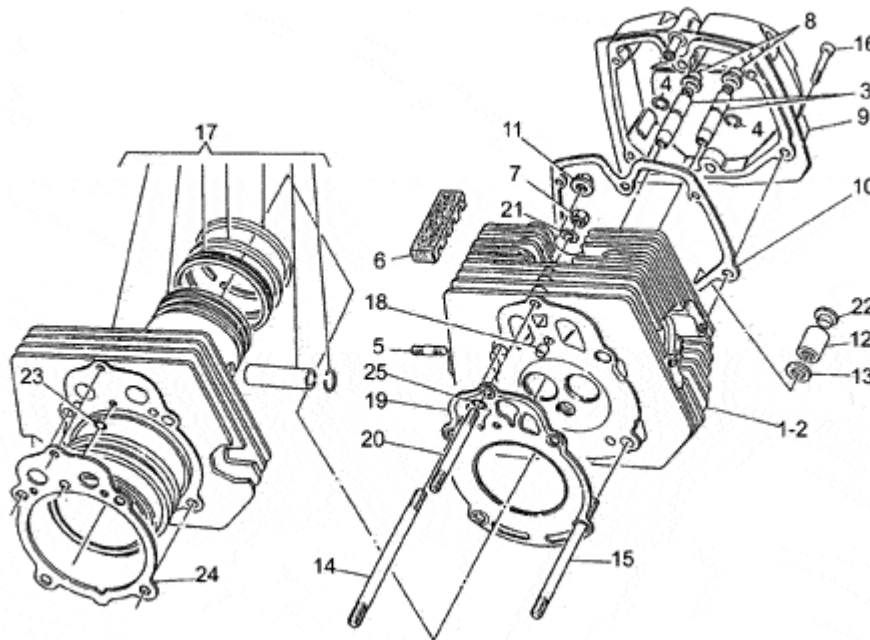
33	Snap ring	-	-	-	-	-	GU90271020	1
34	Fork AP	-	-	-	-	-	GU19231220	1
35	Fork AS	-	-	-	-	-	GU19231020	2
36	Roller	-	-	-	-	-	GU92297909	3
37	Pin	-	-	-	-	-	GU95520316	3
38	Pre-selector kit	-	-	-	01397N	-	GU20999520	1
39	Spring	-	-	-	01397N	-	GU28238261	1
	Spring	-	-	-	-	-	GU61238200	1
40	Bush	-	-	-	-	-	GU91182010	1
	Spacer	-	-	-	01397N	-	GU20208520	1
41	Shift lever	-	-	-	-	-	GU19258220	1
42	Screw	-	-	-	-	-	GU98052325	2
43	Notched washer	-	-	-	-	-	GU95021106	2
44	Tie rod	-	-	-	-	-	GU18257950	1
45	Fork	-	-	-	-	-	GU12626800	1
46	Nut	-	-	-	-	-	GU92602206	2
47	Washer	-	-	-	-	-	GU95129110	1
48	Washer 6,15x11x0,8	-	-	-	-	-	GU95008206	1
49	Split pin	-	-	-	-	-	GU95500222	1
50	Pin	-	-	-	-	-	GU95770265	1
51	Lever	-	-	-	-	-	GU19256920	1
52	Special washer	-	-	-	-	-	GU61013800	1
54	Complete gearchange lever	-	-	-	-	-	GU19250900	1
55	Rubber spacer	-	-	-	-	-	GU14251001	1
56	Spring washer	-	-	-	-	-	GU95129260	1
57	Idle gear Z=23	-	-	-	-	-	GU19211140	1
58	Bush	-	-	-	-	-	GU19266720	1
59	Clearance washer	-	-	-	-	-	GU39238100	1
60	Nut	-	-	-	-	-	GU10054100	1
61	Nut M6x1	-	-	-	-	-	GU92630106	1
62	Ball joint	-	-	-	-	-	GU18258101	1
63	Washer	-	-	-	-	-	GU19214320	4

		<b>V 50 III POL./PA VECHIOTIPO 500</b> <b>1982-1990</b>		<b>GU066</b>	<b>00</b>	<b>TAB N.</b>	<b>22</b>	
<b>CARBURETTOR-SPARE PARTS</b>								
								
Pos.	Description	Year	I_M	Country	Version	Code	Q.ty	P.Cod.
1	Gas valve 50	-	-	-	-	GU19934880	2	
2	Conical pin 6	-	-	-	-	GU19934980	2	
3	Needle valve 268T	-	-	-	-	GU19935580	2	
4	Main jet 118	-	-	-	-	GU19935780	2	
5	Idle jet 50	-	-	-	-	GU66935910	2	
6	Starter jet 60	-	-	-	-	GU19936000	2	
7	Needle valve	-	-	-	-	GU19934600	2	
8	Float gr.9,5	-	-	-	-	GU27934315	2	
10	Wire tensioner screw	-	-	-	-	GU12937200	2	
11	Screw	-	-	-	-	GU14934650	2	
12	Cover	-	-	-	-	GU19935080	2	
13	Gas valve return spring	-	-	-	-	GU19937180	2	
14	Plate	-	-	-	-	GU19938580	2	
15	Conical pin clip	-	-	-	-	GU65933600	2	
17	Wire tensioner screw	-	-	-	-	GU53937200	2	
18	Nut	-	-	-	-	GU19938880	2	
19	Pipe	-	-	-	-	GU49938900	2	
20	Nut	-	-	-	-	GU12937300	4	
21	Screw	-	-	-	-	GU13937900	2	
22	Starter device cover	-	-	-	-	GU17937450	2	
24	Valve spring	-	-	-	-	GU39937600	2	
25	Starter valve	-	-	-	-	GU13937800	2	
26	Adj.min.eng.speed screw	-	-	-	-	GU13936200	2	
27	Spring	-	-	-	-	GU13936300	2	
28	Flat washer	-	-	-	-	GU65933700	2	
30	Gas valve adjuster screw	-	-	-	-	GU13936600	2	
31	Spring	-	-	-	-	GU13936700	2	
32	Flat washer	-	-	-	-	GU14931650	2	
35	Fuel filter	-	-	-	-	GU43934000	2	
36	Fuel pipe union cap	-	-	-	-	GU13934600	2	
37	Gasket	-	-	-	-	GU13934700	2	
38	Cap fixing screw	-	-	-	-	GU10934900	2	
41	Float chamber plastica	-	-	-	03399N	GU31934460	2	
	Aluminium float chamber	-	-	-	-	GU19934480	2	
42	Float pin	-	-	-	-	GU13933100	2	
44	Plug with OR	-	-	-	1A	GU10933700	2	
	Float chamber fix.plug	-	-	-	2A	GU27933720	2	
45	Gaskets set	-	-	-	-	GU19939980	1	


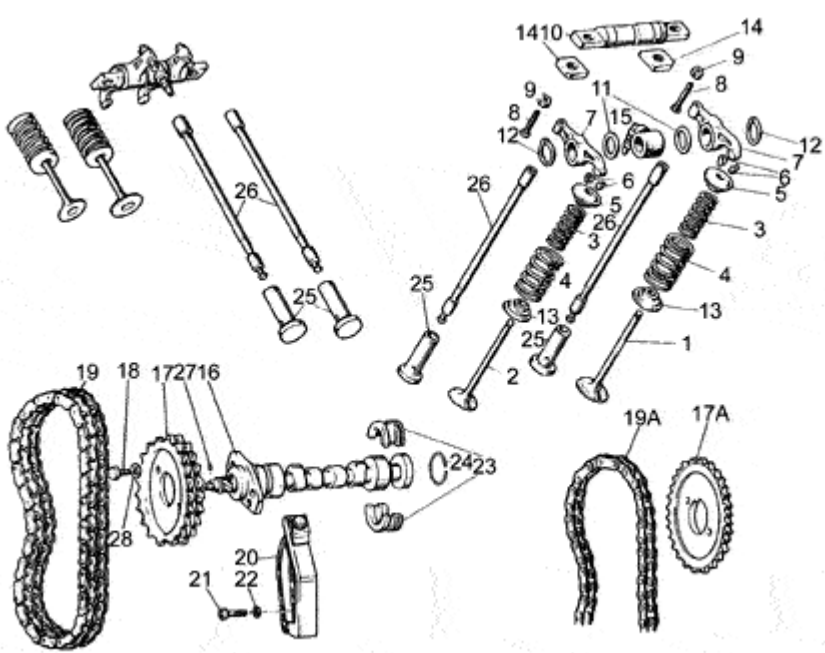
 <b>V 50 III POL./PA VECHIOTIPO 500</b> <b>1982-1990</b>		<b>GU066</b>		<b>00</b>		<b>TAB N.</b>		<b>23</b>	
<b>CARBURETTORS</b>									
									
Pos.	Description	Year	I_M	Country	Version	Code	Q.ty	P.Cod.	
1	Carburettor RH PHBH 28 BD	-	-	-	-	GU19112680	1		
2	Carburettor LH PHBH 28 BS	-	-	-	-	GU19112681	1		
3	RH manifold, blank MOTOPLAT	-	-	-	-	GU19115080	1		
4	LH manifold, blank MOTOPLAT	-	-	-	-	GU19115081	1		
5	Gasket	-	-	-	-	GU19115580	2		
6	Screw	-	-	-	-	GU98310610	2		
7	Washer 6,25x10x1,5	-	-	-	-	GU95100116	2		
8	Screw	-	-	-	-	GU98822325	4		
9	Special washer	-	-	-	-	GU61013800	4		
10	Hose	-	-	-	-	GU19114360	2		
11	Hose clamp 32X52X8	-	-	-	-	GU93305032	4		
12	Gasket ring	-	-	-	-	GU19114680	2		
13	Manifold	-	-	-	-	GU19114480	2		
14	Starter	-	-	-	-	GU23133100	1		
15	Choke cable	-	-	-	-	GU19133500	1		
16	LH choke cable	-	-	-	-	GU19134000	1		
17	Hose clamp	-	-	-	-	GU19718000	2		
18	Washer	-	-	-	-	GU95004205	4		
19	Screw	-	-	-	-	GU98054214	4		
20	Hose clamp 3,6x20,6	-	-	-	-	GU14609650	2		

		V 50 III POL./PA VECHIOTIPO 500 1982-1990		GU066	00	TAB N.	24	
CRANKCASE								
								
Pos.	Description	Year	I_M_	Country	Version	Code	Q.ty	P.Cod.
1	Crankcase, blank	-	-	-	-	GU19000120	1	
2	Stud bolt	-	-	-	-	GU96451560	4	
3	Stud bolt	-	-	-	-	GU96451430	4	
4	Stud bolt	-	-	-	-	GU96508055	2	
5	Bush	-	-	-	-	GU19015020	4	
6	Spring washer 8x15x0,3	-	-	-	-	GU61270300	6	
7	Nut M8X1,25	-	-	-	-	GU92602208	6	
8	Union	-	-	-	-	GU19003800	1	
9	Bush 6,6x9x13	-	-	-	-	GU19002020	2	
10	Plug	-	-	-	-	GU19016320	1	
11	Gasket ring	-	-	-	-	GU90401530	1	
13	Gasket ring	-	-	-	-	GU90405367	1	
14	Timing system cover, blank	-	-	-	-	GU19001420	1	
15	Gasket	-	-	-	-	GU19001200	1	
16	Hex socket screw M6X25	-	-	-	-	GU98622325	22	
17	Plug	-	-	-	-	GU19017120	1	
18	Gasket ring 28x38x7	-	-	-	-	GU90402840	1	
19	Motor oil cup	-	-	-	-	GU19003502	1	
20	Gasket	-	-	-	-	GU19003602	1	
21	Oil level plug	-	-	-	-	GU95980214	1	
22	Gasket	-	-	-	-	GU10528900	1	
23	Screw M6X35	-	-	-	-	GU98620335	5	
24	Cover	-	-	-	-	GU27001636	1	
25	Flange	-	-	-	-	GU27001136	1	
26	Cover, blank	-	-	-	-	GU19003400	1	
27	O-ring	-	-	-	-	GU90706444	1	
28	Oil filler plug	-	-	-	-	GU19004920	1	
29	Gasket ring	-	-	-	-	GU90706282	1	
30	Oil plug	-	-	-	-	GU12022600	1	
31	Gasket 20,1x28x2	-	-	-	-	GU95100709	1	
32	Screw m8x90	-	-	-	-	GU98052490	1	
33	Gasket 8,25x15x1	-	-	-	-	GU12154200	1	
34	Oil seals - set	-	-	-	-	GU31999565	1	
35	Engine set gasket	-	-	-	-	GU19999080	1	
36	Column nut	-	-	-	-	GU13021900	4	
37	Screw M6X30	-	-	-	-	GU98620330	2	
38	Washer 10,5X18X0,8	-	-	-	-	GU95129180	4	


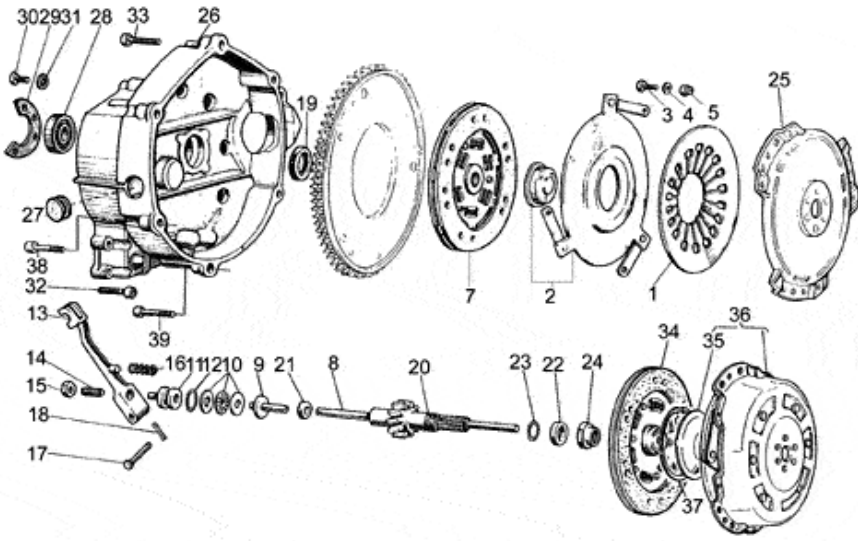
	<b>V 50 III POL./PA VECHIOTIPO 500</b> <b>1982-1990</b>	<b>GU066</b>	<b>00</b>	<b>TAB N.</b>	<b>25</b>
	<b>CYLINDER HEAD</b>				



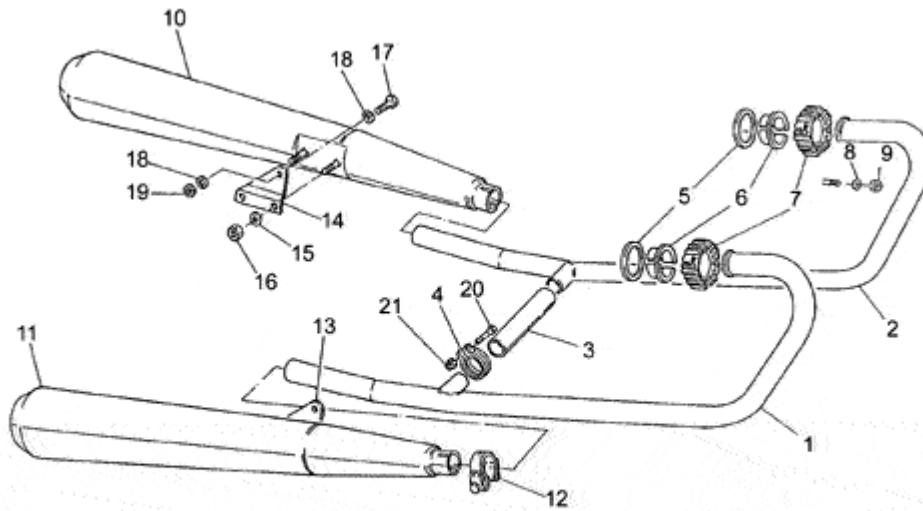
Pos.	Description	Year	I_M	Country	Version	Code	Q.ty	P.Cod.
1	RH head	-	-	-	-	GU19022180	1	
2	LH head	-	-	-	-	GU19022280	1	
3	Valve guide	-	-	-	-	GU61036801	4	
4	Snap ring	-	-	-	-	GU90353009	4	
5	Stud bolt	-	-	-	-	GU96506042	4	
6	Anti-vibration plate	-	-	-	-	GU19025300	4	
7	Nut	-	-	-	-	GU19021920	2	
8	Oil seal	-	-	-	-	GU19037820	4	
9	Valves cover	-	-	-	-	GU19023520	2	
10	Gasket	-	-	-	-	GU19023700	2	
11	Column nut	-	-	-	-	GU92660010	4	
12	Column nut	-	-	-	-	GU13021900	4	
13	Washer 10,5X18X0,8	-	-	-	-	GU95129180	4	
14	Stud bolt	-	-	-	-	GU96510182	4	
15	Stud bolt 125 mm	-	-	-	-	GU96510125	4	
16	Hex socket screw M6X25	-	-	-	-	GU98622325	12	
17	Cylinder with piston, blank	-	-	-	-	GU19060181	2	
18	Bush	-	-	-	-	GU19021320	2	
19	Gasket	-	-	-	-	GU27022080	2	
20	Stud bolt	-	-	-	-	GU96508107	2	
21	Spring washer 8x15x0,3	-	-	-	-	GU61270300	2	
22	Plug	-	-	-	-	GU93180245	4	
23	O-ring	-	-	-	-	GU61027200	2	
24	Gasket	-	-	-	-	GU27020820	2	
25	O-ring	-	-	-	-	GU90706076	2	

 <b>V 50 III POL./PA VECHIOTIPO 500 1982-1990</b>		<b>GU066</b>	<b>00</b>	<b>TAB N.</b>	<b>26</b>			
<b>TIMING SYSTEM</b>								
								
<b>Pos.</b>	<b>Description</b>	<b>Year</b>	<b>I_M</b>	<b>Country</b>	<b>Version</b>	<b>Code</b>	<b>Q.ty</b>	<b>P.Cod.</b>


1	Intake valve	-	-	-	-	GU19036082	2	
2	Exhaust valve	-	-	-	-	GU19036183	2	
3	Spring	-	-	-	-	GU61037600	4	
4	Spring	-	-	-	-	GU61037500	4	
5	Upper cup	-	-	-	-	GU61038000	4	
6	Half-cone	-	-	-	-	GU61038100	8	
7	Rocker arm assy.	-	-	-	-	GU19030500	4	
8	Screw	-	-	-	-	GU19034000	4	
9	Nut M6x1	-	-	-	-	GU92602406	4	
10	Rocker shaft	-	-	-	-	GU19032080	2	
11	Thrust washer	-	-	-	-	GU19032380	4	
12	Circlip	-	-	-	-	GU90271018	4	
13	Lower cup	-	-	-	-	GU61037000	4	
14	Spacer	-	-	-	-	GU19032980	4	
15	Hose	-	-	-	-	GU19027500	2	
16	Camshaft	-	-	-	-	GU27053362	1	
17	Timing system gear	-	-	-	M1	GU19054520	1	
	Timing system gear	-	-	-	M3	GU19054521	1	
18	Bolt	-	-	-	-	GU61054900	2	
19	Camshaft chain	-	-	-	M1	GU19058020	1	
	Camshaft chain	-	-	-	M3	GU19058021	1	
20	Chain stretching drive	-	-	-	-	GU19058220	1	
21	Screw	-	-	-	-	GU98822316	1	
22	Washer	-	-	-	-	GU95129115	1	
23	Sector	-	-	-	-	GU19055700	2	
24	Snap ring	-	-	-	-	GU90353029	1	
25	Tappet	-	-	-	-	GU19045861	4	
26	Rocker arm rod	-	-	-	-	GU19045020	4	
27	Roller	-	-	-	-	GU95512035	1	
28	Safety washer	-	-	-	-	GU23217800	2	

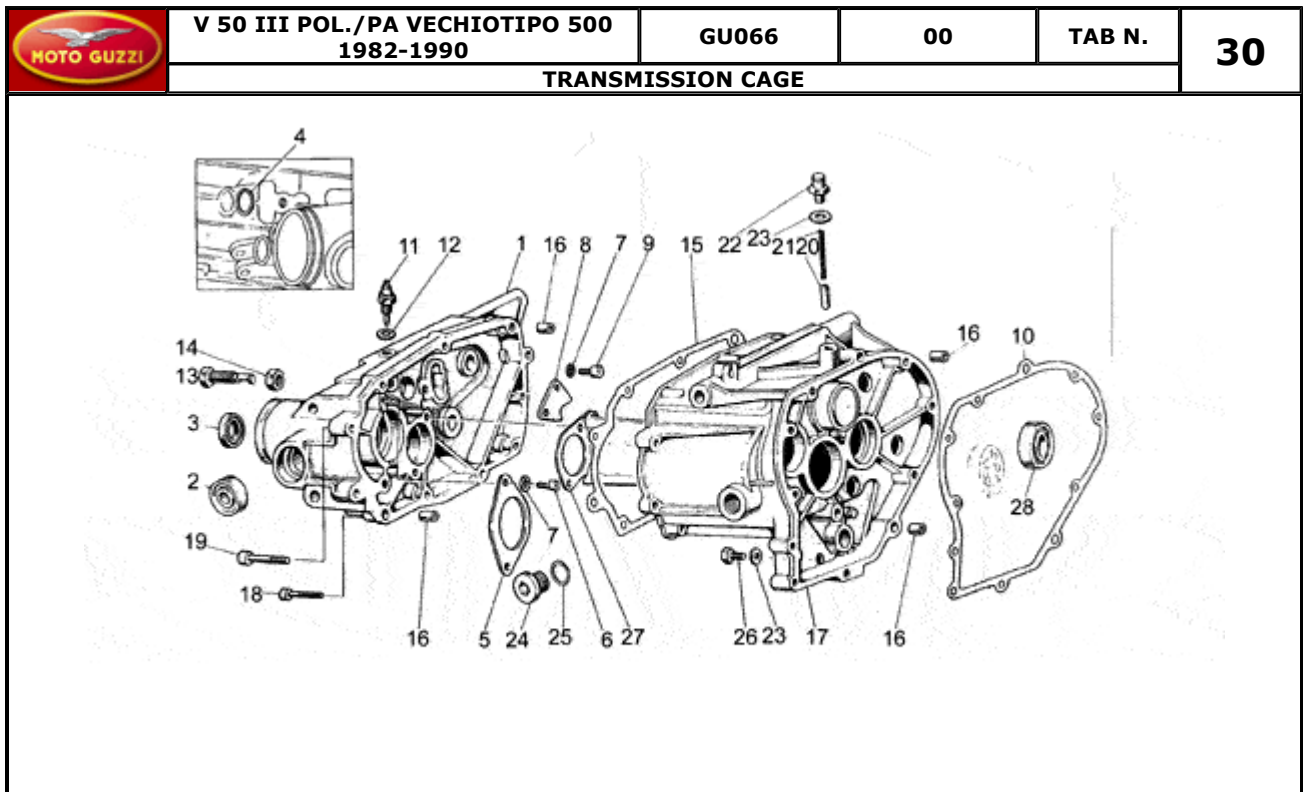
		V 50 III POL./PA VECHIOTIPO 500 1982-1990	GU066	00	TAB N.	27		
CLUTCH								
								
Pos.	Description	Year	I_M	Country	Version	Code	Q.ty	P.Cod.
1	Belleville spring	-	-	-	-	GU19084100	1	
2	Pressure plate	-	-	-	-	GU19082501	1	
3	Screw	-	-	-	-	GU98054214	3	
4	Washer	-	-	-	-	GU95004205	3	
5	Nut	-	-	-	-	GU92630105	3	
7	Driven clutch disc	-	-	-	-	GU27084420	1	
8	Rod	-	-	-	-	GU20085720	1	
9	Inner body	-	-	-	-	GU14086000	1	
10	Thrust bearing	-	-	-	-	GU12087001	1	
11	Outer body	-	-	-	-	GU14086100	1	
12	O-ring 17,13x2,62	-	-	-	-	GU90706170	1	
13	Clutch release shaft	-	-	-	-	GU14090201	1	
14	Adjuster screw	-	-	-	-	GU14090400	1	
15	Nut M8X1	-	-	-	-	GU92602508	1	
16	Lever return spring	-	-	-	-	GU94321105	1	
17	Pin 7x39	-	-	-	-	GU95780271	1	
18	Split pin	-	-	-	-	GU95500222	1	
19	Gasket ring 28x40x7	-	-	-	-	GU90402841	1	
20	Transmission shaft Z=14	-	-	-	-	GU19210740	1	
21	Gasket ring 6x16x7	-	-	-	-	GU90400616	1	
22	Spacer	-	-	-	-	GU19213720	1	
23	Gasket ring 18,77X1,78	-	-	-	-	GU90706188	1	
24	Nut	-	-	-	-	GU19356700	1	
25	Clutch drum	-	-	-	-	GU19080300	1	
26	Clutch drum	-	-	-	-	GU19200422	1	
27	Plug	-	-	-	-	GU93180220	1	
28	Bearing 20X47X14	-	-	-	-	GU92201220	1	
29	Bearing fixing plate	-	-	-	-	GU19203420	1	
30	Screw	-	-	-	-	GU98054314	3	
31	Washer 6,4x10x0,7	-	-	-	-	GU14217901	3	
32	Screw M6X30	-	-	-	-	GU98620330	11	
33	Screw M8X35	-	-	-	-	GU98620435	3	
34	Driven clutch disc	-	-	-	-	GU27084420	1	
35	New cup type	-	-	-	-	GU19083462	1	
36	Clutch control	-	-	-	-	GU19080161	1	
37	Snap ring	-	-	-	-	GU90272075	1	
38	Screw	-	-	-	-	GU98620450	1	
39	Screw M8X40	-	-	-	-	GU98620440	2	

	<b>V 50 III POL./PA VECHIOTIPO 500</b> <b>1982-1990</b>	<b>GU066</b>	<b>00</b>	<b>TAB N.</b>	<b>28</b>
	<b>EXHAUST UNIT</b>				



Pos.	Description	Year	I_M_	Country	Version	Code	Q.ty	P.Cod.
1	RH exhaust pipe	-	-	-	-	GU19120707	1	
2	LH exhaust pipe	-	-	-	-	GU19120706	1	
3	Exhaust pipe	-	-	-	-	GU19121135	1	
4	Hose clamp	-	-	-	-	GU61126920	2	
5	Gasket	-	-	-	-	GU19025280	2	
6	Spacer	-	-	-	-	GU61025400	4	
7	Exhaust ring nut	-	-	-	-	GU19121050	2	
8	Special washer	-	-	-	-	GU61013800	4	
9	Nut	-	-	-	-	GU92701062	4	
10	LH silencer	-	-	-	OM1	GU19122935	1	
	LH silencer	-	-	-	OM2	GU19122936	1	
11	RH silencer	-	-	-	OM2	GU19123036	1	
	RH silencer	-	-	-	OM1	GU19123035	1	
12	Hose clamp	-	-	-	-	GU19123435	2	
13	RH plate	-	-	-	OM1	GU19128635	1	
	RH plate	-	-	-	OM2	GU19128660	1	
14	LH plate	-	-	-	OM1	GU19128735	1	
	LH plate	-	-	-	OM2	GU19128760	1	
15	Spring washer 8x15x0,3	-	-	-	-	GU61270300	4	
16	Nut M8X1,25	-	-	-	-	GU92602208	4	
17	Hex screw M10X35	-	-	-	-	GU98054535	2	
18	Notched washer	-	-	-	-	GU95022110	4	
19	Nut	-	-	-	-	GU92602410	2	
20	Screw	-	-	-	-	GU61127520	2	
21	Ring nut	-	-	-	-	GU61127220	2	

 <b>V 50 III POL./PA VECHIOTIPO 500</b> <b>1982-1990</b>		<b>GU066</b>		<b>00</b>		<b>TAB N.</b>		<b>29</b>	
<b>OIL PUMP-FILTER</b>									
Pos.	Description	Year	I_M	Country	Version	Code	Q.ty	P.Cod.	
1	Oil pump	-	-	-	-	GU19146422	1		
3	Roller bearing 10x22x20	-	-	-	-	GU92252210	1		
4	Oil pump shaft assy.	-	-	-	-	GU19147820	1		
5	Inner rotor	-	-	-	-	GU19148420	1		
7	Guide roller	-	-	-	-	GU92296726	1		
8	Drive gear	-	-	-	M1	GU19147720	1		
	Oil pump gear	-	-	-	M3	GU19147721	1		
9	Washer 10,5x16x1	-	-	-	-	GU19149800	1		
10	Nut M10x1,25	-	-	-	-	GU92602510	1		
11	Screw M6X35	-	-	-	-	GU98620335	3		
12	Pin	-	-	-	-	GU19018920	2		
13	Oil filter	-	-	-	-	GU19152200	1		
14	Screw	-	-	-	-	GU98054314	1		
15	Plate	-	-	-	-	GU95187006	1		
16	Oil filter	-	-	-	-	GU19153000	1		
17	Oil valve cpl.	-	-	-	M5	GU10158201	1		
	Oil pressure valve	-	-	-	M3	GU31158250	1		
18	Valve body	-	-	-	-	GU10158701	1		
19	Piston	-	-	-	-	GU12150900	1		
20	Valve spring	-	-	-	-	GU94321072	1		
21	Bottom	-	-	-	-	GU12150700	1		
22	Washer 14,5X20X1	-	-	-	-	GU95100523	3		
23	Plug	-	-	-	-	GU12159000	1		
24	Pressure sensor	-	-	-	-	GU17768750	1		
	Pressure sensor	-	-	-	02201N	GU31999581	1		
25	Gasket 12,25	-	-	-	-	GU12006400	1		
26	Union	-	-	-	-	GU19055800	1		
27	Plate	-	-	-	-	GU19055900	1		
28	Gasket 12,25	-	-	-	-	GU12006400	2		
29	Breather pipe	-	-	-	-	GU19159600	1		
30	Hose clamp	-	-	-	-	GU61108400	3		
31	Hose clamp	-	-	-	-	GU28157850	1		
32	Breather	-	-	-	B	GU19159300	1		
	Breather	-	-	-	L	GU19159320	1		
33	Gasket 8,25x15x1	-	-	-	-	GU12154200	1		
34	Washer 18,25x24x1	-	-	-	-	GU18144350	3		



Pos.	Description	Year	I_M_	Country	Version	Code	Q.ty	P.Cod.
1	Box cover	-	-	-	-	GU19200821	1	
2	Bearing 15x35x11	-	-	-	-	GU92204215	2	
3	Gasket ring 28x40x7	-	-	-	-	GU90402841	1	
4	O-ring 13,95x2,92	-	-	-	-	GU90706140	1	
5	Plate	-	-	-	-	GU19213820	1	
6	Screw	-	-	-	-	GU98622314	4	
7	Washer 6,4x10x0,7	-	-	-	-	GU14217901	6	
8	Plate	-	-	-	-	GU19235800	1	
9	Screw	-	-	-	-	GU98622314	2	
10	Gasket	-	-	-	-	GU19200320	1	
11	Sensor	-	-	-	-	GU19207220	1	
12	Gasket 8,25x15x1	-	-	-	-	GU12154200	1	
13	Screw M12x1,25	-	-	-	-	GU19237800	1	
14	Low nut M12x1,25	-	-	-	-	GU92602512	1	
15	Gasket	-	-	-	-	GU19201120	1	
16	Bush 6,6x9x13	-	-	-	-	GU19002020	4	
17	Transmission cage	-	-	-	-	GU19200222	1	
18	Screw M6X30	-	-	-	-	GU98620330	7	
19	Screw M8X35	-	-	-	-	GU98620435	4	
20	Pawl	-	-	-	-	GU55234700	1	
21	Lever return spring	-	-	-	-	GU94321067	1	
22	Breather plug	-	-	-	-	GU19206501	1	
23	Gasket	-	-	-	-	GU10528900	2	
24	Oil plug	-	-	-	-	GU12022600	1	
25	O-ring 20,24X2,62	-	-	-	-	GU90706203	1	
26	Oil level plug	-	-	-	-	GU95980214	1	
27	Oil bulhead	-	-	-	-	GU19208220	1	
28	Ball bearing 20x42x12	-	-	-	-	GU92201120	1	