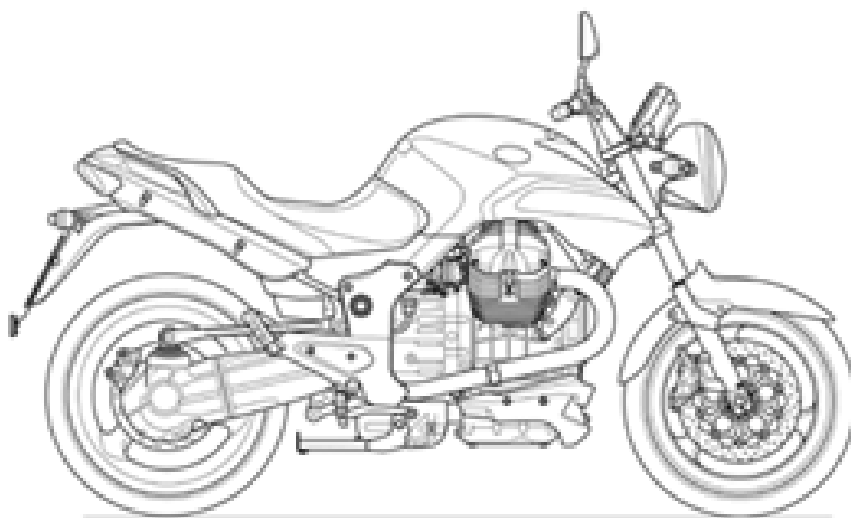




PIAGGIO & C.s.p.a.



## CATALOGO PARTI DI RICAMBIO



### **Breva V IE 1100 2005-2007**

Prefisso telaio: ZGULP0, ZGULPA, ZGULPC

Prefisso motore:

*BREVA*

**GU077**



## Indice

Prodotti finiti.....	4
Indice alfanumerico.....	5
TELAIO.....	12
Tavola 33.01 - Telaio.....	12
Tavola 33.02 - Cavalletti.....	13
Tavola 33.03 - Pedane I.....	15
Tavola 33.04 - Pedane II.....	16
Tavola 33.05 - Leva cambio.....	17
Tavola 33.06 - Sterzo.....	18
Tavola 33.07 - Forcella anteriore.....	19
Tavola 33.08 - Forcellone.....	21
Tavola 33.09 - Trasmissione posteriore.....	22
Tavola 33.10 - Trasmissione post.-Scatola.....	23
Tavola 33.11 - Trasmis.post.-Coppia conica.....	24
Tavola 33.12 - Bielletta e ammortizzatore post.....	25
Tavola 33.13 - Serbatoio benzina.....	26
Tavola 33.14 - Carrozzeria ant. - Convogliatori.....	28
Tavola 33.15 - Parafango ant.-Puntale carena.....	29
Tavola 33.16 - Sella-Carrozzeria cent.....	30
Tavola 33.17 - Carrozzeria Post. - Parafango.....	32
Tavola 33.18 - Carr. Post. - Codone.....	33
Tavola 33.19 - Cruscotto.....	34
Tavola 33.20 - Manubrio - Comandi.....	36
Tavola 33.21 - Pompa freno ant.....	38
Tavola 33.22 - Comando frizione cpl.....	39
Tavola 33.23 - Radiatore olio.....	40
Tavola 33.24 - Impianto Blow-by.....	41
Tavola 33.25 - Alimentazione.....	42
Tavola 33.26 - Cassa filtro.....	43
Tavola 33.27 - Gruppo scarico.....	44
Tavola 33.28 - Pompa benzina interna.....	45
Tavola 33.29 - Ruota anteriore.....	46
Tavola 33.30 - Pinza freno anteriore.....	47
Tavola 33.31 - Ruota posteriore.....	48
Tavola 33.32 - Pompa freno post.....	49
Tavola 33.33 - Pinza freno post.....	51
Tavola 33.34 - Fanale ant./Claxon.....	52
Tavola 33.35 - Fanale posteriore.....	53
Tavola 33.36 - Impianto elettrico I.....	54
Tavola 33.37 - Impianto elettrico II.....	56
Tavola 33.38 - Kit serrature.....	58
Tavola 33.39 - Targhette-decalco-libretti.....	59
Tavola 33.57 - Impianto recupero vapori benzina.....	62



---

Tavola 33.60 - Impianto frenante ABS.....	63
MOTORE.....	64
Tavola 34.40 - Carter.....	64
Tavola 34.41 - Testa cilindro e valvole I.....	66
Tavola 34.42 - Testa cilindro e valvole II.....	68
Tavola 34.43 - Albero motore cpl.....	70
Tavola 34.44 - Distribuzione.....	72
Tavola 34.45 - Pompa olio I.....	74
Tavola 34.46 - Pompa olio II.....	75
Tavola 34.47 - Filtri olio.....	76
Tavola 34.48 - Frizione.....	77
Tavola 34.49 - Scatola cambio.....	78
Tavola 34.50 - Selettore cambio.....	79
Tavola 34.51 - Albero primario cambio.....	80
Tavola 34.52 - Albero secondario.....	81
Tavola 34.53 - Albero frizione.....	82
Tavola 34.54 - Generatore di corrente.....	83
Tavola 34.55 - Motorino avviamento.....	84
Tavola 34.56 - Corpo farfallato.....	85
ATTREZZI SPECIALI.....	86
Tavola 36.58 - Attrezzatura specifica I.....	86
Tavola 36.59 - Attrezzatura specifica II.....	87



BREVA  
GU077 - Brevia V IE 1100 2005-2007

Prefisso telaio: ZGULPO, ZGULPA, ZGULPC  
Prefisso motore:

## Prodotti finiti

Codice	Validità
9032700US601UNC	
9032700US602UNC	
AP60100EL04	
GU9032700CA701	
GU9032700CA702	
GU9032700US601	
GU9032700US602	
GU9032700US603	



Codice	N.Tavola	Pos.	Codice	N.Tavola	Pos.	Codice	N.Tavola	Pos.
0000000	33.07	26	977522	33.20	26	AP8102375	33.15	3
0000000	33.29	14	977523	33.19	1	AP8102375	33.15	6
0000000	33.31	8	977524	33.19	1	AP8102375	33.17	6
0000000	34.55	5	977556	33.15	1	AP8102375	33.18	4
0000000	34.55	6	977557	33.13	1	AP8102377	33.57	5
0000000	34.55	7	977558	33.13	1	AP8102378	33.57	4
0000000	34.55	8	977559	33.16	2	AP8102502	33.16	12
224202	34.42	8	977560	33.16	5	AP8102520	33.24	4
277916	34.46	2	977561	33.18	1	AP8102523	33.16	11
639542	33.02	32	977562	33.18	2	AP8102524	33.02	17
825597	34.42	9	977571	33.02	26	AP8102678	33.57	1
825597	34.43	24	977577	33.39	15	AP8102764	33.25	4
849131	34.43	14	977578	33.39	16	AP8102765	33.24	17
883045	33.09	7	977579	33.39	14	AP8102913	33.16	8
883079	33.27	24	977666	33.38	1	AP8102914	33.16	7
883802	33.20	22	977679	33.20	24	AP8104211	33.26	2
883802	33.20	23	977700	33.01	1	AP8104451	33.13	15
883818	33.37	2	977761	33.37	27	AP8104566	33.20	19
883819	33.37	3	977762	33.37	28	AP8104572	33.20	7
883828	33.17	1	977763	33.39	10	AP8104614	33.57	7
883883	33.29	1	977763	33.39	10	AP8104666	33.13	13
883886	33.31	1	977769	33.37	22	AP8104666	33.57	9
884033	33.32	24	977771	33.37	23	AP8106713	33.22	1
887422	33.28	1	977772	33.37	21	AP8110066	33.12	5
969973	34.41	45	977773	33.37	20	AP8110068	33.12	6
969973	34.42	46	977780	33.20	25	AP8110077	33.06	8
976003	34.43	13	977788	33.01	13	AP8112811	33.37	9
976031	34.43	12	977805	33.01	16	AP8112811	33.37	9
976041	34.40	1	977806	33.01	15	AP8112996	33.32	27
976064	34.43	9	978093	33.01	17	AP8113288	33.32	3
976068	34.41	44	978220	33.38	5	AP8113594	33.32	2
976068	34.42	45	978223	33.36	1	AP8113993	33.21	5
976079	34.42	1	978223	33.37	1	AP8113993	33.22	4
976080	34.42	2	978244	33.36	1	AP8113995	33.21	3
976087	34.42	20	978244	33.37	1	AP8113997	33.22	5
976107	34.42	3	978247	33.39	7	AP8113998	33.22	6
976117	34.43	17	978248	33.39	7	AP8117200	33.37	5
976134	34.46	1	978249	33.16	1	AP8117200	34.55	12
976139	34.41	38	978314	33.20	17	AP8118492	33.20	15
976139	34.42	38	978315	33.20	18	AP8118502	33.20	14
976144	34.41	42	978505	33.37	11	AP8118503	33.20	16
976144	34.42	41	978606	33.21	1	AP8118659	33.22	2
976152	34.42	4	978607	33.22	1	AP8120030	33.26	12
976153	34.42	22	978825	33.28	1	AP8120030	33.36	5
976165	34.46	3	981046	33.22	2	AP8120116	33.25	6
976168	34.46	15	981050	33.21	2	AP8120177	33.37	6
976171	34.43	16	981087	33.19	28	AP8120178	33.32	13
976172	34.43	16	981087	33.38	7	AP8120405	33.35	4
976181	34.42	10	981115	34.47	17	AP8120428	33.26	19
976186	34.43	17	AP4ADN000007	34.40	30	AP8120428	34.56	19
976196	34.43	1	AP4FAN000030	34.54	10	AP8120455	33.18	16
976448	34.46	6	AP8101372	33.23	6	AP8120485	33.11	7
976521	33.27	19	AP8101586	33.24	9	AP8120594	33.15	10
976522	33.27	11	AP8101588	33.24	11	AP8120615	33.26	4
976523	33.27	12	AP8101595	33.13	12	AP8120876	33.26	18
976688	34.45	14	AP8101595	33.17	15	AP8120912	33.05	3
976688	34.46	17	AP8101595	33.26	17	AP8120912	33.32	20
977041	33.32	14	AP8101595	33.32	5	AP8120952	33.13	14
977056	33.31	10	AP8101595	33.57	10	AP8120952	33.17	14
977079	33.02	10	AP8101595	34.49	15	AP8120952	33.57	6
977080	33.02	31	AP8101861	33.03	13	AP8120952	34.49	16
977093	33.02	28	AP8101944	33.57	11	AP8120965	33.13	11
977149	33.25	10	AP8101968	33.32	16	AP8120965	33.57	13
977292	33.02	26	AP8102151	33.24	3	AP8121032	34.55	14
977408	33.02	30	AP8102151	33.32	28	AP8121096	33.18	15
977472	33.39	7	AP8102239	33.25	7	AP8121098	33.11	6
977473	33.39	7	AP8102375	33.14	9	AP8121133	33.03	12



Codice	N.Tavola	Pos.	Codice	N.Tavola	Pos.	Codice	N.Tavola	Pos.
AP8121155	33.12	10	AP8150255	33.19	4	AP8152329	33.37	4
AP8121170	33.27	17	AP8150292	33.02	22	AP8152329	33.57	3
AP8121205	33.06	9	AP8150292	33.12	13	AP8152334	33.19	21
AP8121207	33.06	4	AP8150413	33.14	3	AP8152339	33.04	8
AP8121218	33.09	4	AP8150421	33.19	15	AP8152339	33.14	5
AP8121221	33.05	2	AP8150421	33.26	13	AP8152339	33.15	7
AP8121221	33.32	19	AP8150432	33.01	11	AP8152339	33.16	4
AP8121467	33.02	2	AP8150462	33.05	5	AP8152339	33.17	5
AP8121567	33.03	1	AP8150462	33.32	22	AP8152339	33.18	3
AP8121804	33.13	6	AP8150509	33.19	5	AP8152339	33.19	13
AP8121915	33.22	9	AP8150509	33.24	7	AP8152384	33.06	10
AP8121927	33.32	23	AP8152001	33.02	16	AP8152385	33.30	7
AP8121994	33.02	15	AP8152043	34.44	21	AP8152396	33.12	16
AP8123641	33.06	7	AP8152055	33.18	14	AP8152397	33.12	9
AP8123642	33.06	5	AP8152147	33.12	12	AP8152398	33.12	2
AP8123643	33.06	3	AP8152238	33.19	20	AP8152409	33.03	2
AP8123644	33.06	6	AP8152242	33.09	5	AP8152410	33.09	3
AP8124266	33.37	14	AP8152267	33.17	9	AP8152482	33.12	15
AP8124768	33.37	13	AP8152272	33.31	12	AP8178918	33.02	3
AP8124869	33.37	16	AP8152273	33.25	2	AP8201124	33.13	2
AP8124936	33.19	16	AP8152273	33.32	30	AP8201301	33.32	17
AP8124976	33.35	6	AP8152274	33.25	9	AP8201358	33.24	16
AP8124985	33.19	22	AP8152277	33.03	3	AP8201808	33.17	16
AP8125773	33.29	4	AP8152277	33.37	12	AP8201808	33.33	12
AP8125777	33.29	3	AP8152278	33.19	23	AP8202238	33.33	11
AP8125779	33.29	5	AP8152278	33.22	11	AP8202238	33.60	10
AP8125791	33.29	9	AP8152278	33.26	20	AP8212702	33.35	5
AP8127109	33.34	2	AP8152278	33.29	19	AP8213113	33.33	8
AP8127319	33.02	12	AP8152278	33.31	13	AP8213113	33.60	9
AP8127469	33.29	18	AP8152278	33.32	12	AP8220150	33.19	3
AP8127514	33.34	9	AP8152278	34.48	14	AP8220162	33.04	14
AP8127515	33.34	10	AP8152279	33.02	13	AP8220263	33.57	8
AP8127552	33.34	11	AP8152279	33.26	10	AP8220283	33.37	19
AP8127552	33.35	9	AP8152279	33.32	4	AP8220526	33.04	15
AP8127648	33.20	25	AP8152279	33.36	4	AP8220546	33.37	17
AP8127817	33.28	5	AP8152282	33.36	7	AP8221023	33.26	11
AP8133510	33.21	2	AP8152285	33.34	15	AP8221023	33.36	6
AP8133594	33.21	7	AP8152286	33.34	15	AP8221036	33.06	15
AP8133594	33.22	8	AP8152287	33.15	8	AP8221036	33.35	3
AP8133594	33.33	10	AP8152290	33.34	15	AP8221128	33.15	9
AP8133594	33.60	2	AP8152291	33.13	7	AP8221145	33.32	11
AP8133597	33.33	7	AP8152291	34.40	46	AP8221204	33.02	18
AP8133597	33.60	8	AP8152292	33.18	8	AP8221211	33.02	19
AP8134378	33.27	22	AP8152298	33.06	14	AP8221227	33.01	12
AP8134448	33.17	8	AP8152298	33.25	1	AP8221277	33.03	5
AP8134451	33.03	9	AP8152298	33.35	2	AP8221307	33.01	9
AP8134884	33.57	2	AP8152298	34.41	21	AP8221317	33.02	4
AP8135608	33.12	8	AP8152298	34.42	21	AP8221318	33.02	5
AP8135924	33.12	4	AP8152298	34.56	6	AP8224164	33.17	10
AP8140190	36.59	2	AP8152299	33.16	10	AP8224164	33.17	18
AP8144007	33.05	7	AP8152299	33.17	22	AP8224462	33.37	18
AP8144007	33.32	25	AP8152299	33.36	29	AP8258253	33.17	17
AP8144030	33.02	21	AP8152300	33.04	6	AP8706527	33.20	6
AP8144038	33.26	16	AP8152300	33.34	18	B045021	33.20	11
AP8144046	33.37	15	AP8152301	33.01	8	B063025	34.49	11
AP8144069	33.25	5	AP8152301	33.12	11	B063858	33.38	1
AP8144071	33.27	23	AP8152302	33.14	8	B063859	33.38	3
AP8144164	33.26	7	AP8152302	33.15	2	GU00823923140	33.02	23
AP8144538	33.16	3	AP8152302	33.18	6	GU00823950050	33.32	6
AP8144553	33.37	7	AP8152306	33.17	11	GU00823955080	33.24	8
AP8144707	33.34	19	AP8152306	33.17	19	GU01003651	34.40	24
AP8145034	33.03	6	AP8152306	33.35	7	GU01037030	34.41	40
AP8145035	33.03	8	AP8152318	33.08	2	GU01037030	34.42	10
AP8149034	33.17	20	AP8152320	33.33	2	GU01038060	34.41	13
AP8150015	33.02	14	AP8152329	33.17	4	GU01038060	34.42	13
AP8150046	33.04	12	AP8152329	33.26	9	GU01038160	34.41	14
AP8150046	34.40	16	AP8152329	33.32	10	GU01038160	34.42	14



Codice	N.Tavola	Pos.	Codice	N.Tavola	Pos.	Codice	N.Tavola	Pos.
GU01038730	34.41	10	GU04082800	34.48	5	GU05100238	33.13	1
GU01051730	34.44	8	GU04084100	34.48	1	GU05102930	33.13	16
GU01051730	34.44	8	GU04084100	34.48	1	GU05103830	33.26	5
GU01054001	34.44	5	GU04086100	34.48	10	GU05103930	33.13	8
GU01062030	34.43	16	GU05000730	34.40	1	GU05103930	33.38	2
GU01062031	34.43	16	GU05001231	34.40	14	GU05107230	33.28	1
GU01062032	34.43	16	GU05001430	34.40	15	GU05107430	33.28	3
GU01062033	34.43	16	GU05001630	34.40	21	GU05112530	34.56	1
GU01062230	34.43	14	GU05002130	34.40	40	GU05112830	34.56	2
GU01067930	34.43	22	GU05003130	34.40	25	GU05113530	33.26	6
GU01106090	33.28	2	GU05003530	34.40	27	GU05113730	33.26	3
GU01106692	33.25	3	GU05003630	34.40	26	GU05114031	33.26	1
GU01108490	33.28	4	GU05004930	34.40	34	GU05114130	33.26	8
GU01114390	34.56	14	GU05005730	34.47	4	GU05114430	34.56	17
GU01121030	33.27	4	GU05007230	34.40	18	GU05115030	34.56	3
GU01154230	33.23	2	GU05007330	34.40	36	GU05115031	34.56	8
GU01154230	33.24	15	GU05011830	34.40	42	GU05115730	34.56	4
GU01161331	33.23	3	GU05020830	34.43	9	GU05117530	33.20	17
GU01161331	33.24	14	GU05021831	34.41	42	GU05117830	33.20	18
GU01163500	34.47	5	GU05022130	34.41	1	GU05120930	33.27	1
GU01163600	34.47	8	GU05022132	34.41	1	GU05120931	33.27	2
GU01163700	34.47	7	GU05022230	34.41	2	GU05121630	33.27	10
GU01528930	33.10	13	GU05022232	34.41	2	GU05122930	33.27	20
GU01528930	33.10	8	GU05023430	34.41	37	GU05123930	33.27	13
GU01528930	34.40	33	GU05023430	34.42	37	GU05124230	33.27	14
GU01528930	34.49	9	GU05023530	34.41	36	GU05124330	33.27	26
GU01530501	33.07	12	GU05023530	34.42	36	GU05128230	33.27	18
GU01530503	33.07	24	GU05025330	34.43	23	GU05135830	34.56	20
GU01530509	33.07	27	GU05025331	34.41	17	GU05135930	33.25	8
GU01576530	33.04	3	GU05025331	34.42	17	GU05152230	34.47	3
GU01603480	33.20	13	GU05025930	34.41	39	GU05153430	33.24	1
GU01609630	33.20	21	GU05025930	34.42	39	GU05153630	34.45	8
GU01612190	33.29	11	GU05036030	34.41	6	GU05153630	34.46	10
GU01654630	33.30	3	GU05036030	34.42	6	GU05157430	33.24	2
GU01659130	33.30	5	GU05036131	34.41	5	GU05157630	33.24	10
GU01659131	33.30	6	GU05036131	34.42	5	GU05159330	33.24	13
GU01721600	33.36	20	GU05051730	34.44	8	GU05159630	33.24	5
GU01722700	33.36	22	GU05051730	34.44	8	GU05161631	33.23	5
GU01722701	33.36	22	GU05053331	34.44	3	GU05162030	33.23	1
GU01722702	33.36	22	GU05053530	34.44	22	GU05162031	33.23	1
GU01722703	33.36	22	GU05054530	34.44	9	GU05162331	33.23	4
GU01722704	33.36	22	GU05054531	34.44	9	GU05164230	33.23	11
GU01722705	33.36	22	GU05054531	34.44	9	GU05164630	33.23	7
GU01929100	36.58	7	GU05054532	34.44	9	GU05200231	34.49	5
GU02107100	33.13	5	GU05055230	34.44	20	GU05200531	34.49	1
GU03013800	34.55	16	GU05058030	34.44	16	GU05204930	34.49	8
GU03022055	34.41	20	GU05060130	34.43	1	GU05206530	33.10	12
GU03163330	33.36	26	GU05060230	34.43	2	GU05210631	34.51	1
GU03270300	33.18	9	GU05060630	34.43	3	GU05210731	34.53	1
GU03270300	33.19	8	GU05060730	34.43	4	GU05211030	34.53	12
GU03469201	34.55	15	GU05060930	34.43	5	GU05211131	34.53	8
GU03530510	33.07	17	GU05061030	34.43	6	GU05211231	34.53	10
GU03530524	33.07	8	GU05061530	34.43	13	GU05211331	34.51	10
GU03530525	33.07	7	GU05081830	34.53	5	GU05211431	34.51	7
GU03530526	33.07	6	GU05084430	34.48	3	GU05211530	34.53	13
GU03530527	33.07	5	GU05085730	34.48	6	GU05211630	34.53	14
GU03530528	33.07	4	GU05086330	33.22	10	GU05212031	34.51	4
GU03530550	33.07	16	GU05086330	34.48	13	GU05212631	34.51	9
GU03530551	33.07	9	GU05100230	33.13	1	GU05213631	34.52	1
GU03530553	33.07	14	GU05100230BM	33.13	1	GU05214031	34.52	7
GU03604845	33.22	3	GU05100231	33.13	1	GU05214231	34.52	3
GU03609600	33.20	21	GU05100232	33.13	1	GU05214431	34.52	12
GU03617710	33.29	12	GU05100233	33.13	1	GU05214630	34.51	5
GU03617710	33.31	2	GU05100235	33.13	1	GU05214630	34.52	5
GU03717450	33.36	14	GU05100235BM	33.13	1	GU05214731	34.52	9
GU03749845	33.21	9	GU05100236	33.13	1	GU05215031	34.52	10
GU04067000	34.43	19	GU05100237	33.13	1	GU05215631	34.51	2



Codice	N.Tavola	Pos.	Codice	N.Tavola	Pos.	Codice	N.Tavola	Pos.
GU05217630	34.48	12	GU05479630	33.17	2	GU05613330	33.29	6
GU05220531	34.52	11	GU05490230	33.07	1	GU05613335	33.29	15
GU05230531	34.50	18	GU05490630	33.07	2	GU05614130	33.29	8
GU05230831	34.50	21	GU05490730	33.07	3	GU05615230	33.29	2
GU05232431	34.50	19	GU05493130	33.06	1	GU05630530	33.31	1
GU05232631	34.50	20	GU05494030	33.06	2	GU05630531	33.31	1
GU05234130	34.50	11	GU05504530	33.07	13	GU05632730	33.31	3
GU05234230	34.50	12	GU05525430	33.07	18	GU05634430	33.31	5
GU05234431	34.50	1	GU05526630	33.07	20	GU05635730	33.31	6
GU05234631	34.50	2	GU05530530	33.07	15	GU05638130	33.11	9
GU05234731	34.50	10	GU05530531	33.07	19	GU05652230	33.30	2
GU05234931	34.50	13	GU05530532	33.07	22	GU05652330	33.30	1
GU05235531	34.50	3	GU05530533	33.07	23	GU05653030	33.33	1
GU05236231	34.50	7	GU05530534	33.07	28	GU05654630	33.33	3
GU05238131	34.50	15	GU05530535	33.07	10	GU05657530	33.33	9
GU05238231	34.50	8	GU05530536	33.07	25	GU05658431	33.06	13
GU05238331	34.50	14	GU05540230	33.08	1	GU05658830	33.21	6
GU05238431	34.50	9	GU05547030	33.08	6	GU05659030	33.33	5
GU05239330	34.50	17	GU05547130	33.08	5	GU05659130	33.33	4
GU05251130	33.05	1	GU05547930	33.08	8	GU05659230	33.30	4
GU05256930	33.05	13	GU05548030	33.08	3	GU05660130	33.21	1
GU05257830	33.05	12	GU05550230	33.12	1	GU05661130	33.21	4
GU05258230	33.05	10	GU05556030	33.12	3	GU05663530	33.32	7
GU05326330	33.09	6	GU05562030	33.12	7	GU05666030	33.32	9
GU05351230	33.10	2	GU05562430	33.12	14	GU05666930	33.32	1
GU05352430	33.11	2	GU05570230	33.16	2	GU05677030	33.32	18
GU05354230	33.11	1	GU05570230BM	33.16	2	GU05680530	33.60	5
GU05358030	33.10	6	GU05570231	33.16	2	GU05680830	33.60	4
GU05358130	33.10	5	GU05570232	33.16	2	GU05680930	33.60	7
GU05358230	33.10	7	GU05570233	33.16	2	GU05681030	33.60	1
GU05358330	33.10	1	GU05570430	33.16	5	GU05681130	33.60	6
GU05358530	33.10	15	GU05570430BM	33.16	5	GU05681430	33.29	16
GU05358630	33.10	16	GU05570431	33.16	5	GU05681530	33.31	11
GU05358830	33.09	2	GU05570432	33.16	5	GU05683130	33.60	12
GU05421430	33.01	2	GU05570433	33.16	5	GU05683730	33.31	14
GU05421530	33.01	3	GU05570530	33.15	4	GU05701430	34.54	7
GU05429630	33.02	9	GU05570630	33.15	5	GU05702530	34.54	6
GU05430330	33.02	1	GU05573230	33.18	1	GU05704531	33.37	2
GU05432130	33.02	10	GU05573230BM	33.18	1	GU05704630	33.37	3
GU05432131	33.02	28	GU05573231	33.18	1	GU05712431	34.54	1
GU05432930	33.02	6	GU05573232	33.18	1	GU05716530	33.36	8
GU05433430	33.02	7	GU05573233	33.18	1	GU05716730	33.36	9
GU05433630	33.02	11	GU05573330	33.18	2	GU05717030	33.36	19
GU05433631	33.02	29	GU05573330BM	33.18	2	GU05717430	33.36	18
GU05434330	33.15	1	GU05573331	33.18	2	GU05718330	33.36	13
GU05434330BM	33.15	1	GU05573332	33.18	2	GU05718331	33.36	17
GU05434331	33.15	1	GU05573333	33.18	2	GU05729230	33.36	3
GU05434332	33.15	1	GU05573830	33.16	13	GU05729530	33.36	2
GU05434333	33.15	1	GU05573831	33.16	14	GU05729535	33.36	2
GU05436530	33.33	12	GU05576230	33.14	2	GU05730730	34.55	17
GU05436530	33.60	11	GU05576231	33.14	2	GU05733330	34.55	11
GU05438630	33.17	7	GU05576330	33.14	4	GU05735530	33.38	6
GU05438730	33.17	1	GU05576331	33.14	4	GU05736830	33.38	1
GU05443530	33.04	1	GU05576631	33.14	1	GU05738030	33.20	5
GU05446030	33.04	11	GU05576731	33.14	6	GU05740530	33.34	1
GU05446431	33.04	9	GU05578630	33.34	6	GU05740531	33.34	1
GU05446930	33.04	7	GU05578631	33.34	8	GU05740532	33.34	1
GU05447430	33.04	13	GU05600230	33.20	10	GU05740930	33.35	1
GU05460530	33.16	1	GU05600630	33.20	9	GU05743730	33.34	14
GU05460530	33.16	1	GU05600730	33.20	1	GU05745730	33.19	11
GU05460531	33.16	1	GU05600930	33.20	3	GU05747130	33.36	1
GU05464330	33.18	11	GU05603331	33.20	12	GU05747130	33.37	1
GU05464830	33.18	13	GU05606530	33.22	7	GU05747131	33.36	1
GU05466830	33.16	6	GU05606630	33.22	12	GU05747131	33.37	1
GU05466830	33.38	4	GU05610530	33.29	1	GU05747830	33.37	8
GU05467330	33.18	7	GU05611430	33.29	7	GU05747930	33.37	11
GU05476430	33.14	7	GU05613330	33.29	15	GU05751630	33.35	8





Codice	N.Tavola	Pos.	Codice	N.Tavola	Pos.	Codice	N.Tavola	Pos.
GU05751730	33.35	11	GU12021700	34.43	12	GU25656102	34.45	9
GU05760030	33.19	1	GU12022600	34.41	15	GU25656102	34.46	11
GU05760031	33.19	1	GU12022600	34.42	15	GU28576591	33.17	12
GU05764030	33.19	6	GU12031800	34.41	33	GU28742562	33.37	10
GU05764330	33.19	10	GU12031800	34.42	33	GU29722760	33.36	22
GU05764430	33.19	12	GU12067701	34.43	20	GU29729461	33.36	25
GU05764430	33.19	12	GU12082300	34.48	4	GU30003800	34.47	2
GU05764530	33.19	14	GU12087001	34.48	9	GU30027931	33.26	15
GU05766530	33.19	2	GU12154200	34.45	11	GU30058310	34.44	17
GU05767830	33.19	26	GU12154200	34.46	13	GU30059211	34.44	18
GU05780430	33.19	27	GU12211700	34.53	15	GU30061241	34.43	7
GU05780530	33.17	3	GU12911801	36.58	10	GU30082900	34.48	2
GU05781630	33.07	30	GU12912000	36.58	8	GU30103730	33.13	10
GU05782530	33.19	18	GU12913600	36.58	17	GU30103730	33.57	12
GU05782530	33.38	3	GU13036801	34.41	3	GU30109330	33.27	9
GU05900030	33.39	7	GU13037200	34.41	8	GU30146400	34.45	1
GU05900031	33.39	7	GU13037200	34.42	42	GU30147700	34.45	4
GU05900130	33.39	11	GU13084100	34.48	1	GU30147700	34.46	7
GU05901930	36.58	4	GU13148300	34.45	2	GU30150900	34.47	9
GU05902530	36.58	13	GU13148300	34.46	4	GU30153000	34.47	1
GU05902730	36.59	8	GU14011900	34.40	10	GU30158900	34.47	12
GU05902731	36.59	5	GU14011901	34.40	10	GU30217900	33.01	5
GU05902732	36.59	3	GU14018400	33.09	8	GU30217900	33.02	27
GU05902733	36.59	4	GU14018400	34.41	24	GU30530510	34.55	3
GU05902734	36.59	7	GU14018400	34.42	24	GU30530511	34.55	4
GU05902735	36.59	6	GU14030201	34.41	25	GU30530512	34.55	9
GU05902736	36.59	1	GU14030201	34.42	25	GU30609600	33.36	28
GU05909930	33.39	6	GU14030401	34.41	26	GU30609600	33.37	26
GU05911730	36.58	2	GU14030401	34.42	26	GU30611460	33.31	7
GU05912530	36.58	3	GU14034865	34.41	22	GU30714201	34.54	9
GU05917530	33.39	4	GU14036860	34.41	4	GU30717061	33.36	16
GU05923330	33.39	13	GU14037300	34.41	9	GU30729330	33.26	14
GU05923331	33.39	10	GU14037300	34.42	43	GU30730711	34.55	1
GU05923332	33.39	10	GU14072001	34.44	12	GU30906510	36.58	19
GU05923333	33.39	10	GU14085900	34.48	7	GU30912810	36.58	18
GU05923430	33.39	1	GU14086000	34.48	8	GU30944300	33.39	5
GU05923431	33.39	1	GU14217901	34.43	11	GU30970200	33.39	17
GU05926030	33.39	8	GU14234600	34.44	4	GU31003766	33.10	9
GU05927230	36.58	6	GU14433400	34.44	10	GU31003766	34.40	32
GU05928030	36.58	5	GU14609650	33.02	24	GU31003766	34.49	13
GU05943930	33.39	14	GU14609650	33.36	28	GU31159050	34.47	14
GU05944030	33.39	15	GU14609650	33.37	26	GU31576183	34.56	18
GU05944930	33.39	12	GU14615901	33.27	6	GU31768780	34.45	12
GU05945030	33.39	9	GU14615901	34.40	5	GU31768780	34.46	14
GU05948630	36.58	1	GU14615901	34.43	21	GU32023910	34.42	44
GU05991030	34.40	45	GU14616150	33.29	13	GU32115610	34.56	5
GU05991530	34.49	17	GU14616150	33.31	9	GU32116810	34.41	18
GU05997630	33.39	16	GU14717600	33.36	15	GU32116810	34.42	18
GU05999030	34.40	43	GU14912603	36.58	20	GU32441210	33.03	7
GU05999530	34.40	44	GU14927100	36.58	9	GU32442310	33.03	11
GU06917300	33.39	3	GU14927300	36.58	12	GU32442710	33.03	14
GU06917400	33.39	2	GU17034050	34.41	28	GU32443210	33.03	4
GU10032700	34.41	32	GU17034050	34.42	28	GU32443211	33.03	10
GU10032700	34.42	32	GU17045860	34.44	2	GU32727010	33.27	16
GU10034100	34.41	29	GU17661052	33.32	8	GU32769460	33.20	22
GU10034100	34.42	29	GU17947560	36.58	15	GU32769860	33.20	23
GU10907200	36.58	11	GU18144350	34.47	13	GU32917310	33.39	3
GU12003900	34.40	2	GU18144350	34.49	7	GU32917312	33.39	3
GU12006400	34.45	13	GU19002020	34.49	14	GU32917410	33.39	2
GU12006400	34.46	16	GU19149800	34.46	9	GU32917412	33.39	2
GU12011400	34.40	28	GU19207220	34.49	10	GU32944210	33.18	17
GU12011401	34.40	28	GU19927100	36.58	16	GU37037405	34.41	11
GU12011402	34.40	28	GU19929600	36.58	14	GU37037405	34.42	11
GU12011403	34.40	28	GU20164010	34.47	6	GU37037605	34.41	12
GU12011700	34.40	29	GU25656100	33.21	8	GU37037605	34.42	12
GU12012200	34.40	11	GU25656100	33.33	6	GU37045006	34.44	1
GU12018900	34.40	6	GU25656100	33.60	3	GU37065405	34.43	18



Codice	N.Tavola	Pos.	Codice	N.Tavola	Pos.	Codice	N.Tavola	Pos.
GU37067705	34.43	10	GU92252029	34.51	3	GU95120065	34.44	7
GU400122400100	33.09	1	GU92252029	34.52	4	GU95120085	34.45	6
GU49609601	33.19	25	GU92252210	34.45	3	GU95129131	33.37	24
GU49609601	33.29	20	GU92602308	34.45	5	GU95129180	34.41	41
GU49609601	33.31	15	GU92602510	34.46	8	GU95129180	34.42	40
GU61270300	34.40	13	GU92602525	34.44	14	GU95129340	34.53	11
GU90118152	34.41	31	GU92603010	34.41	23	GU95510620	33.10	4
GU90118152	34.42	31	GU92603010	34.42	23	GU95512081	34.40	9
GU90271014	34.50	16	GU92605408	34.54	12	GU95960609	33.24	6
GU90271016	33.07	21	GU92606206	33.32	15	GU95963062	33.57	15
GU90271022	34.50	4	GU92606516	34.54	8	GU95980319	34.49	6
GU90271030	34.51	8	GU92609408	33.37	25	GU95990023	33.57	16
GU90271030	34.52	8	GU92630104	33.36	12	GU95990037	34.45	10
GU90271125	34.53	9	GU92630206	33.19	24	GU95990037	34.46	12
GU90271230	34.51	6	GU92630206	33.34	13	GU96508040	34.41	19
GU90271230	34.52	6	GU92630206	33.35	13	GU96508040	34.42	19
GU90272028	34.53	17	GU92650138	33.27	25	GU96508066	34.40	3
GU90273026	33.11	8	GU92660012	34.54	5	GU96508075	34.40	7
GU90274002	33.19	17	GU92660021	34.40	8	GU96510036	33.01	7
GU90274008	33.27	15	GU92750180	34.44	11	GU97202355	34.49	2
GU90351039	34.43	8	GU92787008	33.27	5	GU97202665	33.31	4
GU90353014	34.50	22	GU92787205	33.14	10	GU97260415	33.01	14
GU90353016	34.41	7	GU9287205	33.23	10	GU98082475	34.55	2
GU90353016	34.42	7	GU93180220	34.49	3	GU98084316	34.41	34
GU90401424	34.49	12	GU93304360	33.36	28	GU98084316	34.42	34
GU90401532	34.44	19	GU93304360	33.37	26	GU98084320	34.44	6
GU90403549	34.53	4	GU93304390	33.08	4	GU98084425	34.40	12
GU90404558	33.11	3	GU93305057	34.56	13	GU98110007	33.27	8
GU90405367	34.40	41	GU93305058	34.56	16	GU98210616	33.17	21
GU90408511	33.10	10	GU93305061	34.56	15	GU98230850	34.54	11
GU90412237	34.40	19	GU93306018	33.24	12	GU98231235	33.02	20
GU90412541	34.52	14	GU93450105	33.34	4	GU98250510	33.29	17
GU90706009	33.57	14	GU93450105	33.35	14	GU98250612	34.44	23
GU90706094	34.41	43	GU93450126	33.34	12	GU98257408	34.40	37
GU90706141	33.36	21	GU93450126	33.35	10	GU98350210	33.04	10
GU90706151	34.47	15	GU93450265	33.34	3	GU98350210	33.32	29
GU90706170	34.48	11	GU93601022	34.53	7	GU98350310	34.56	11
GU90706178	34.40	35	GU94321077	34.47	10	GU98350312	34.55	13
GU90706203	34.41	16	GU94322215	34.41	30	GU98350330	34.46	5
GU90706203	34.42	16	GU94322215	34.42	30	GU98370412	33.21	10
GU90706203	34.53	2	GU95005304	33.14	11	GU98370614	33.17	13
GU90706347	34.40	39	GU95005304	33.23	9	GU98370616	34.49	4
GU90706461	34.56	7	GU95005306	33.23	13	GU98370625	33.16	9
GU90718120	33.10	3	GU95005308	33.27	7	GU98612216	33.02	33
GU90718370	33.27	3	GU95005312	33.27	27	GU98620445	34.54	3
GU91111511	34.41	27	GU95005325	33.29	10	GU98620560	34.54	4
GU91111511	34.42	27	GU95008204	33.36	11	GU98680335	34.40	23
GU91112128	34.43	15	GU95008205	33.36	24	GU98680340	33.07	29
GU91120606	34.40	48	GU95008206	34.47	11	GU98680340	33.23	12
GU91120607	34.40	38	GU95008206	34.56	10	GU98680340	34.40	47
GU91120622	33.23	14	GU95008208	33.13	4	GU98680360	33.20	8
GU91120822	33.34	17	GU95008208	34.40	4	GU98680360	34.40	31
GU91120924	33.18	10	GU95008208	34.55	10	GU98680440	33.04	5
GU91180823	34.54	2	GU95008210	33.36	27	GU98680445	33.27	21
GU91181215	33.01	6	GU95008213	33.05	8	GU98680450	33.10	11
GU91551010	33.23	8	GU95008308	33.15	11	GU98682125	33.36	10
GU91600365	34.44	15	GU95008310	33.32	26	GU98682212	33.36	23
GU92201025	34.50	6	GU95008313	33.01	10	GU98682215	33.18	5
GU92201117	34.50	5	GU95008313	33.02	25	GU98682316	33.05	4
GU92201226	34.52	13	GU95020105	33.02	34	GU98682316	33.32	21
GU92201226	34.53	3	GU95021104	33.21	11	GU98682316	34.40	22
GU92201822	34.51	11	GU95028022	34.53	6	GU98682316	34.47	16
GU92201822	34.52	2	GU95100116	34.56	12	GU98682320	33.05	6
GU92204230	33.11	5	GU95100244	33.34	16	GU98682320	33.05	9
GU92208518	33.11	4	GU95100837	34.44	13	GU98682320	34.40	20
GU92232028	34.53	16	GU95120065	34.41	35	GU98682325	33.08	9
GU92249224	33.08	7	GU95120065	34.42	35	GU98682325	34.56	9

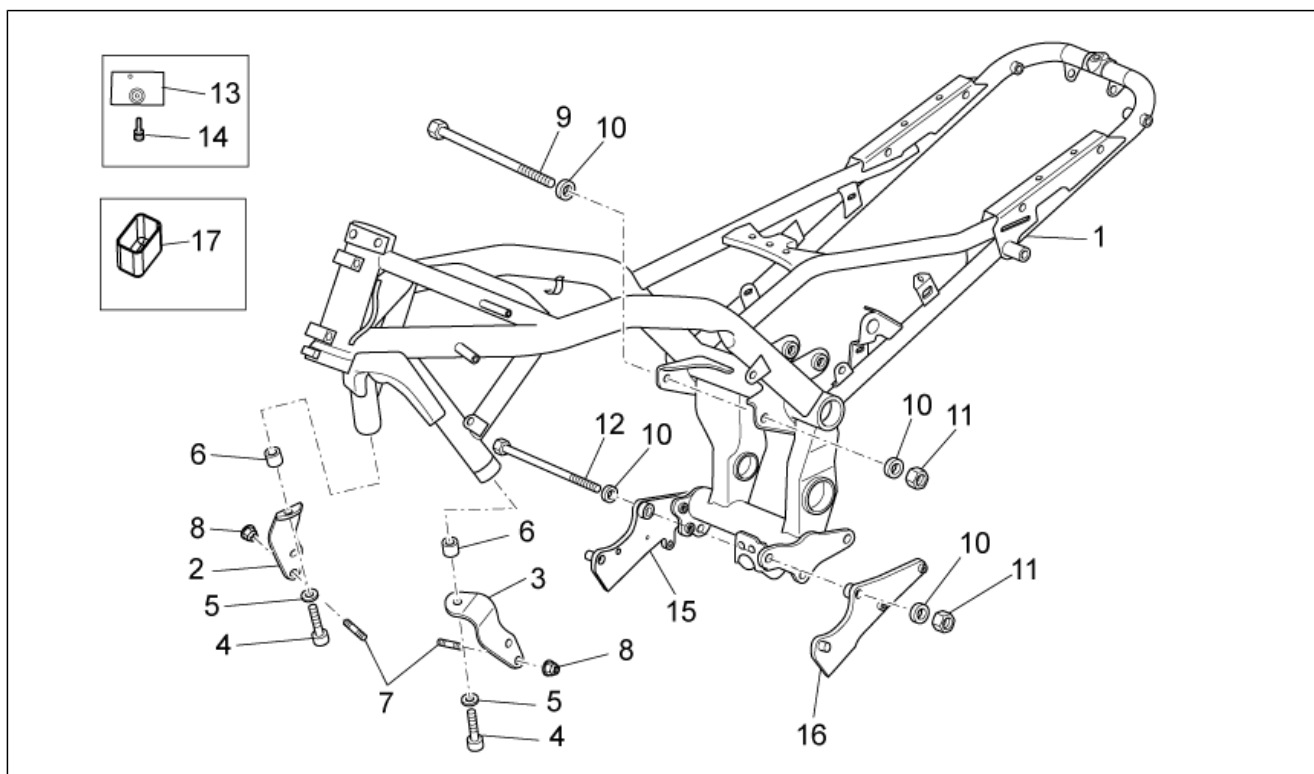


BREVA  
GU077 - Brevia V IE 1100 2005-2007

Prefisso telaio: ZGULPO, ZGULPA, ZGULPC  
Prefisso motore:

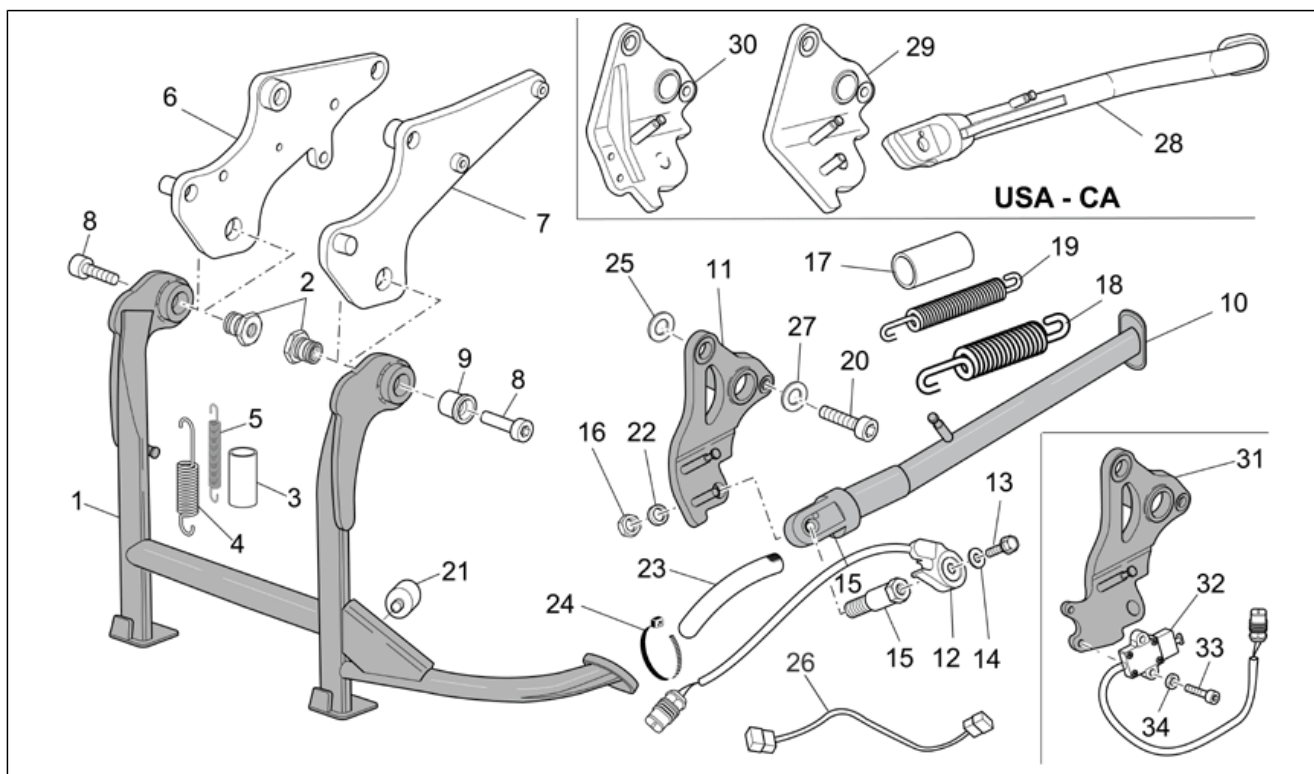
Codice	N.Tavola	Pos.
GU98682330	34.40	17
GU98682414	33.13	3
GU98682416	33.19	7
GU98682425	33.06	12
GU98682425	33.18	12
GU98682430	33.06	11
GU98682430	33.19	19
GU98682430	34.45	7
GU98682435	33.34	7
GU98682530	33.02	8
GU98682535	33.07	11
GU98682650	33.01	4
GU98692216	33.13	9
GU98692313	33.19	9
GU98692318	33.34	5
GU98692318	33.35	12
GU98692425	33.04	4
GU98692425	33.20	2
GU98692425	33.20	20
GU98692430	33.04	2
GU98692430	33.20	4
GU99210406	33.10	14

<b>Gruppo</b>	TELAIO
<b>Codice</b>	33.01
<b>Descrizione</b>	Telaio
<b>Revisione</b>	1



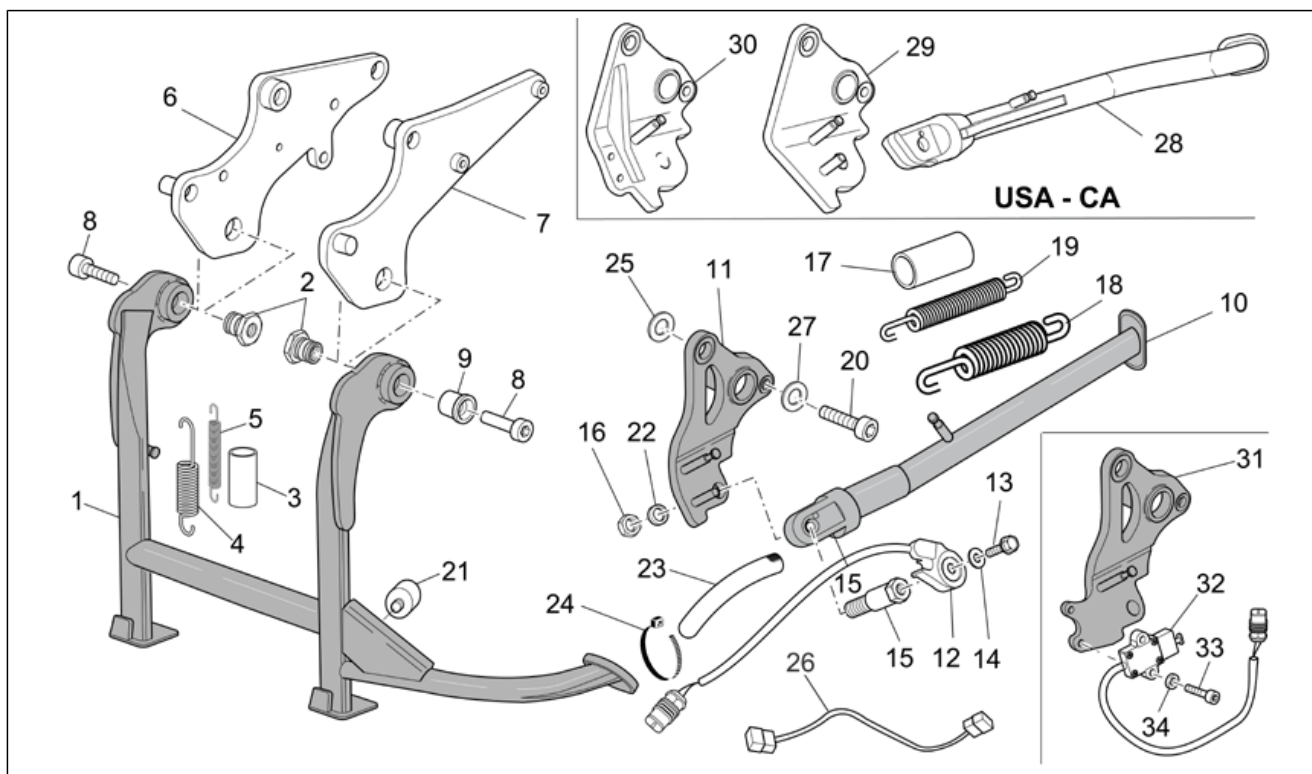
Pos.	Codice	Descrizione	Q.ta	Varianti
1	977700	Telaio	1	
2	GU05421430	Piastra dx	1	
3	GU05421530	Piastra sx	1	
4	GU98682650	Vite TCEI M12x50	2	
5	GU30217900	Rosetta 13x18x1,7	2	
6	GU91181215	Distanziale 12x35x14	2	
7	GU96510036	Prigioniero M10x35	4	
8	AP8152301	Dado autobloc.flang.	4	
9	AP8221307	Perno M12	1	
10	GU95008313	Rosetta 13x24x2,5	4	
11	AP8150432	Dado autobloc.basso M12*	2	
12	AP8221227	Perno M12x270	1	
13	977788	Piastra supporto	1	Paese:Canada[CA]
14	GU97260415	Vite speciale M8x15	1	Paese:Canada[CA]
15	977806	Piastra dx	1	Anno:2007[7]
16	977805	Piastra sx	1	Anno:2007[7]
17	978093	Cappello	2	Anno:2007[7]

<b>Gruppo</b>	TELAIO
<b>Codice</b>	33.02
<b>Descrizione</b>	Cavalletti
<b>Revisione</b>	1



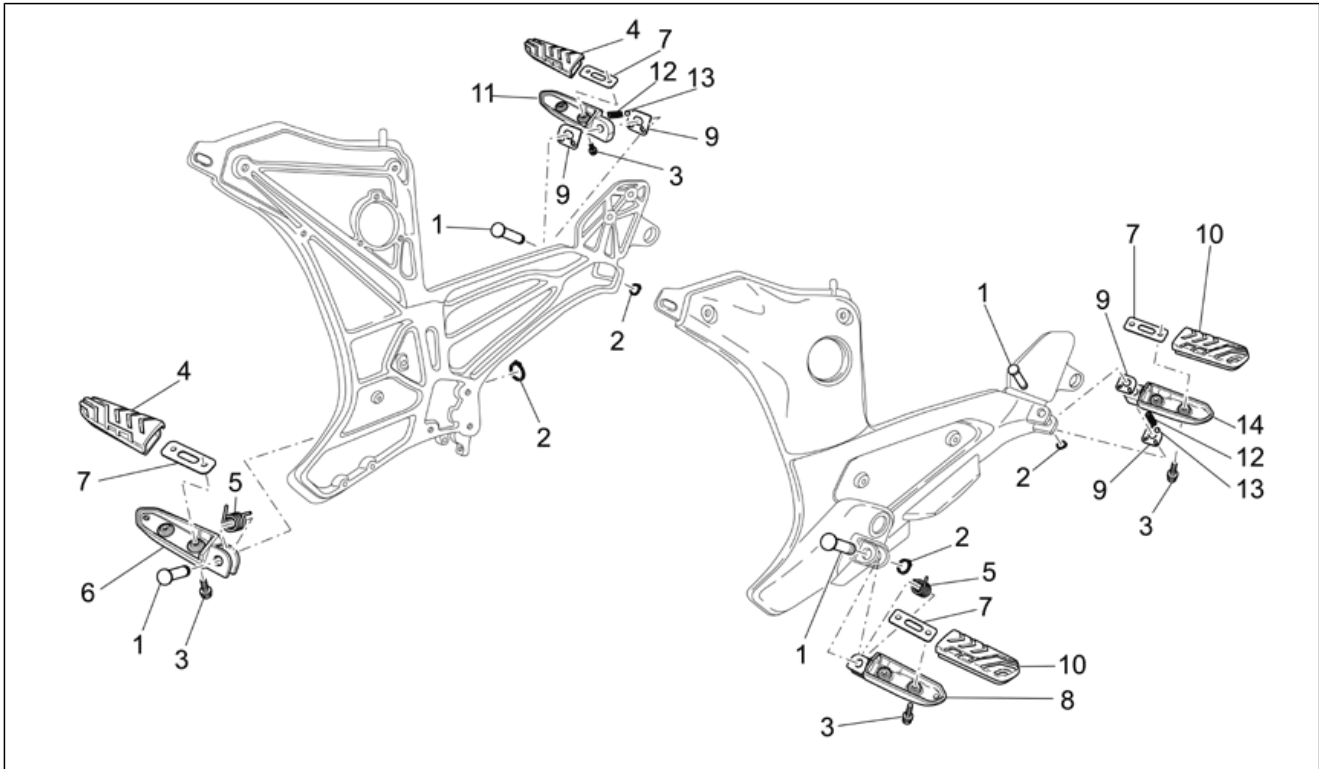
Pos.	Codice	Descrizione	Q.ta	Varianti
1	GU05430330	Cavalletto centrale	1	Anno:2005[5], 2006[6]
2	AP8121467	Supporto	2	Anno:2005[5], 2006[6]
3	AP8178918	Protezione molla cavalletto	1	Anno:2005[5], 2006[6]
4	AP8221317	Molla ritorno cavalletto	1	Anno:2005[5], 2006[6]
5	AP8221318	Molla ritorno cavalletto int.	1	Anno:2005[5], 2006[6]
6	GU05432930	Piastra dx	1	Anno:2005[5], 2006[6]
7	GU05433430	Piastra sx	1	Anno:2005[5], 2006[6]
8	GU98682530	Vite TCEI M10x30	2	Anno:2005[5], 2006[6]
9	GU05429630	Bussola	2	Anno:2005[5], 2006[6]
10	977079	Cavalletto laterale	1	Paese:Australia[AUS], Altri paesi Europa[EU], Giappone[J], Gran Bretagna[UK] Specifiche Tecniche:Con interruttore lineare, pos. 32[V2]
10	GU05432130	Cavalletto laterale	1	Paese:Australia[AUS], Altri paesi Europa[EU], Giappone[J], Gran Bretagna[UK] Specifiche Tecniche:Con interruttore rotativo, pos.12[V1]
11	GU05433630	Piastra cavalletto	1	Paese:Australia[AUS], Altri paesi Europa[EU], Giappone[J], Gran Bretagna[UK] Specifiche Tecniche:Con interruttore rotativo, pos.12[V1]
12	AP8127319	Interruttore rotativo	1	
13	AP8152279	Vite te flang. M6x20	1	
14	AP8150015	Rosetta 6,6x18x1,6*	1	
15	AP8121994	Vite cavalletto	1	
16	AP8152001	Dado basso M10x1,25	1	
17	AP8102524	Protezione molla cavalletto	1	
18	AP8221204	Molla ritorno cavalletto	1	
19	AP8221211	Molla ritorno cavalletto int.	1	
20	GU98231235	Vite TBEI M12x35	2	
21	AP8144030	Tampone fine corsa cavalletto	1	
22	AP8150292	Rosetta elastica curva *	1	

<b>Gruppo</b>	TELAIO
<b>Codice</b>	33.02
<b>Descrizione</b>	Cavalletti
<b>Revisione</b>	1



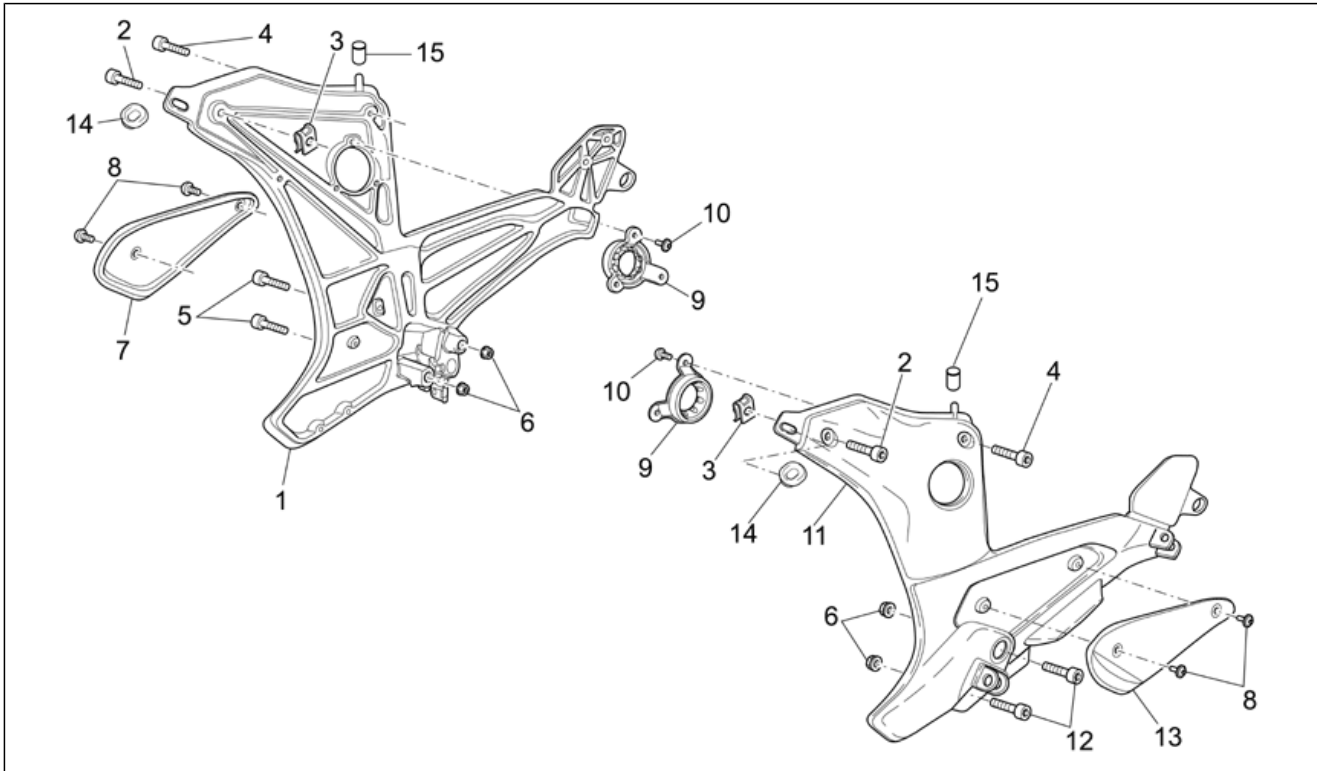
Pos.	Codice	Descrizione	Q.ta	Varianti
23	GU00823923140	Guaina termica	1	
24	GU14609650	Fascetta 3,6x20,6	2	
25	GU95008313	Rosetta 13x24x2,5	2	
26	977292	Cavo adattatore	1	<b>Anno:</b> 2005[5], 2006[6] <b>Specifiche Tecniche:</b> Versione senza ABS[std], Con interruttore lineare, pos. 32[V2]
26	977571	Cavo adattatore	1	<b>Anno:</b> 2005[5], 2006[6] <b>Specifiche Tecniche:</b> Versione con ABS[abs], Con interruttore rotativo, pos.12[V1]
27	GU30217900	Rosetta 13x18x1,7	2	
28	977093	Cavalletto laterale	1	<b>Paese:</b> Canada[CA], Stati Uniti d'America[USA] <b>Specifiche Tecniche:</b> Con interruttore lineare, pos. 32[V2]
28	GU05432131	Cavalletto laterale	1	<b>Paese:</b> Canada[CA], Stati Uniti d'America[USA] <b>Specifiche Tecniche:</b> Con interruttore rotativo, pos.12[V1]
29	GU05433631	Piastra cavalletto	1	<b>Paese:</b> Canada[CA], Stati Uniti d'America[USA] <b>Specifiche Tecniche:</b> Con interruttore rotativo, pos.12[V1]
30	977408	Piastra cavalletto	1	<b>Paese:</b> Canada[CA], Stati Uniti d'America[USA] <b>Specifiche Tecniche:</b> Con interruttore lineare, pos. 32[V2]
31	977080	Piastra cavalletto	1	<b>Paese:</b> Australia[AUS], Altri paesi Europa[EU], Giappone[J], Gran Bretagna[UK] <b>Specifiche Tecniche:</b> Con interruttore lineare, pos. 32[V2]
32	639542	Pulsante per cavalletto laterale	1	
33	GU98612216	Vite TCEI	2	
34	GU95020105	Rosetta 5,3x8,9x2,4	2	

<b>Gruppo</b>	TELAIO
<b>Codice</b>	33.03
<b>Descrizione</b>	Pedane I
<b>Revisione</b>	1



Pos.	Codice	Descrizione	Q.ta	Varianti
1	AP8121567	Perno	4	
2	AP8152409	Anello di fermo radiale	4	
3	AP8152277	Vite TE flangiata M6x12	8	
4	GU32443210	Gomma	2	
5	AP8221277	Molla ritorno pedana	2	
6	AP8145034	Pedana pilota dx	1	
7	GU32441210	Piastrina	4	
8	AP8145035	Pedana pilota sx	1	
9	AP8134451	Piastra fine corsa pedana	4	
10	GU32443211	Gomma	2	
11	GU32442310	Pedana passeggero DX	1	
12	AP8121133	Molla elica cilind.compres.	2	
13	AP8101861	Sfera D6,35	2	
14	GU32442710	Pedana passeggero SX	1	

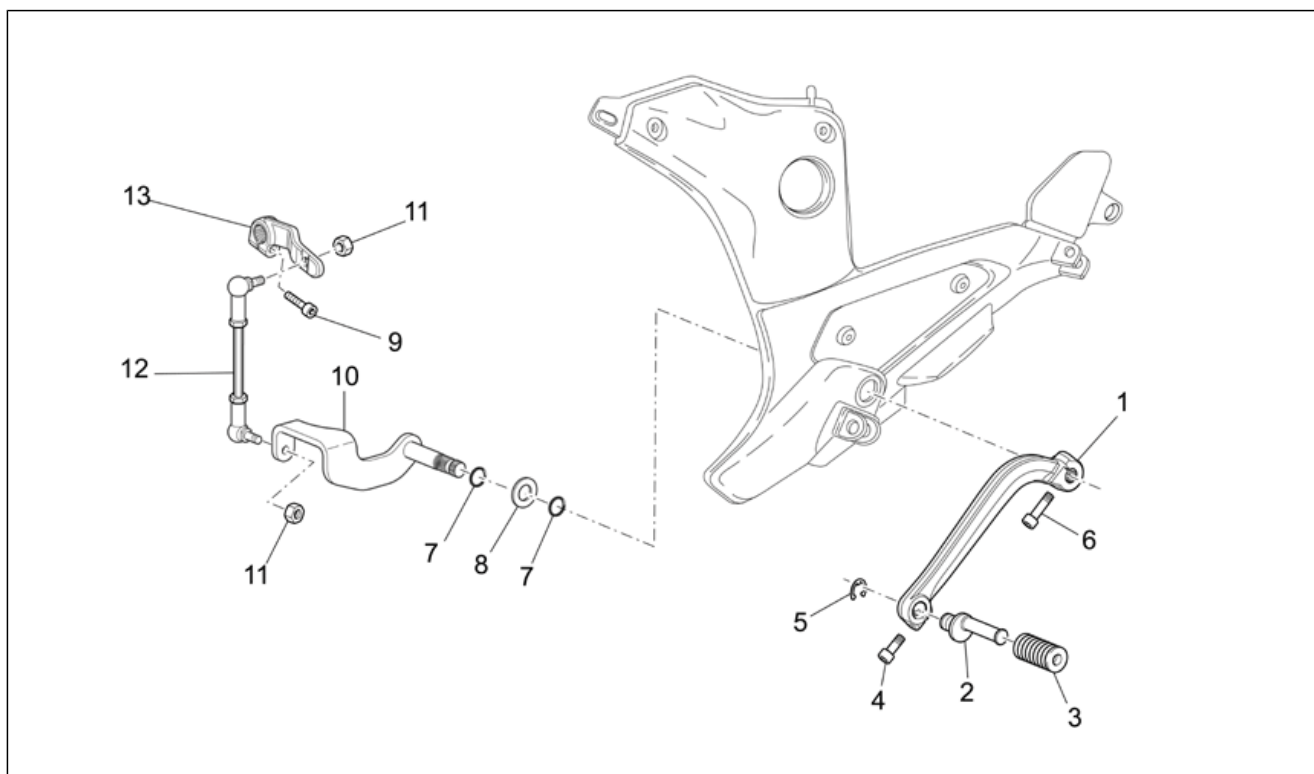
<b>Gruppo</b>	TELAIO
<b>Codice</b>	33.04
<b>Descrizione</b>	Pedane II
<b>Revisione</b>	1



Pos.	Codice	Descrizione	Q.ta	Varianti
1	GU05443530	Piastra dx	1	
2	GU98692430	Vite TCEI M8x30	2	
3	GU01576530	Dado a graffetta M8x1,25	2	
4	GU98692425	Vite TCEI M8x25	2	
5	GU98680440	Vite TCEI M8x40	2	
6	AP8152300	Dado autobloc.flang. M8	4	
7	GU05446930	Protezione dx	1	
8	AP8152339	Vite TBEI flangiata M5x9	4	
9	GU05446431	Anello	2	
10	GU98350210	Vite TBEI	6	
11	GU05446030	Piastra sx	1	
12	AP8150046	Vite TCEI M8x55	2	
13	GU05447430	Protezione sx	1	
14	AP8220162	Gommino	4	
15	AP8220526	Gommino	2	

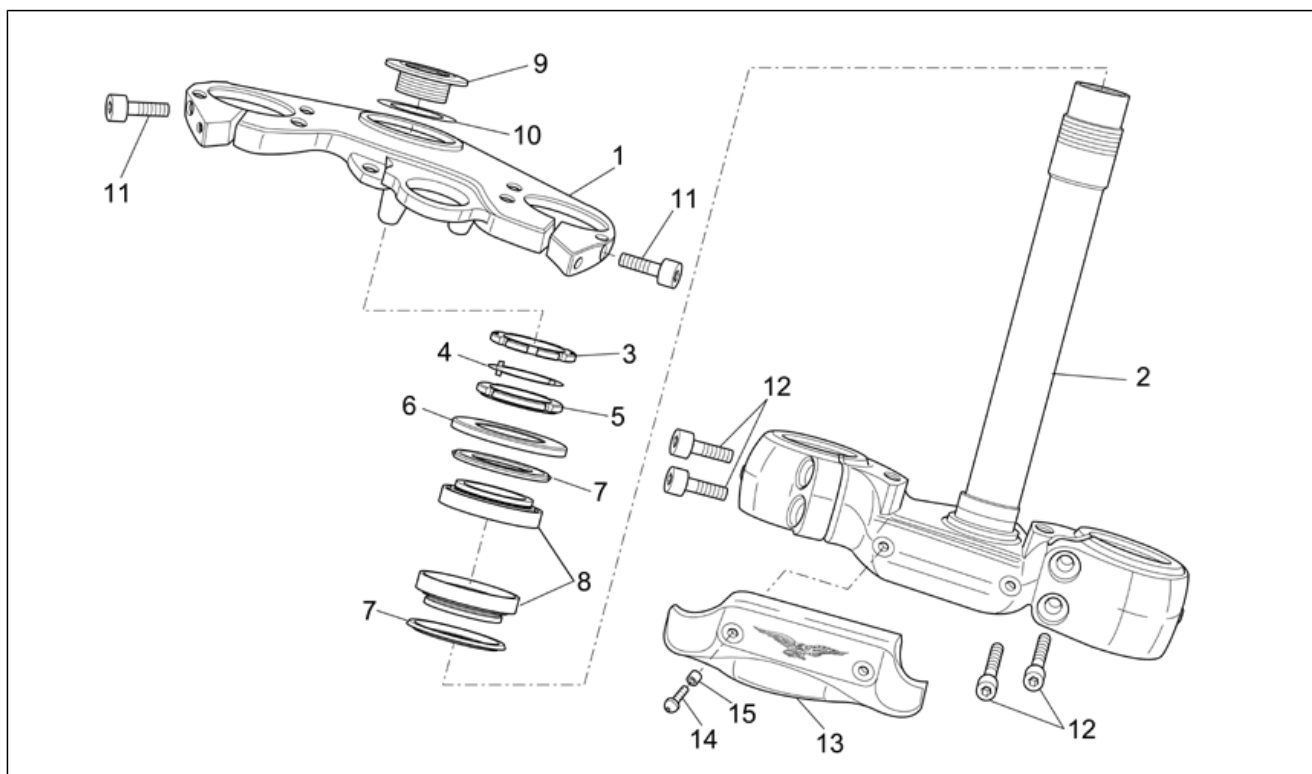


<b>Gruppo</b>	TELAIO
<b>Codice</b>	33.05
<b>Descrizione</b>	Leva cambio
<b>Revisione</b>	1



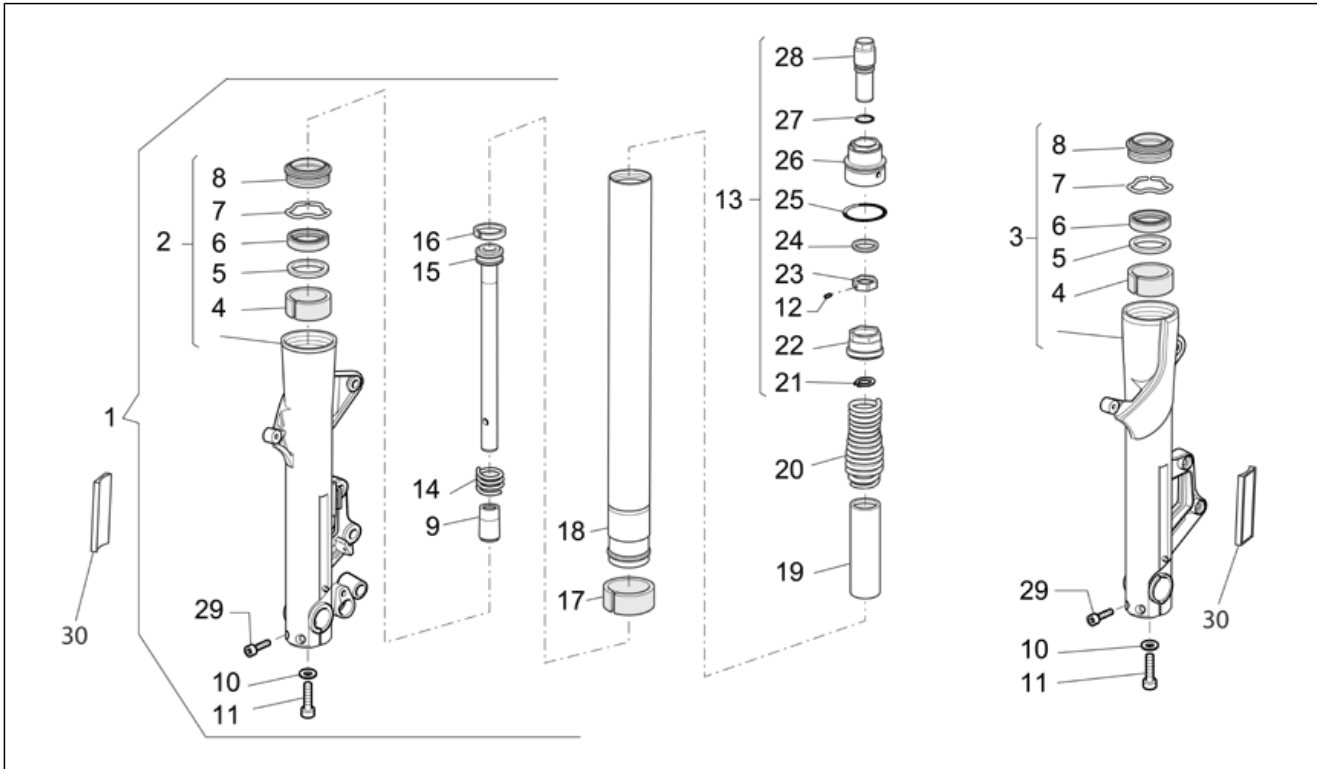
Pos.	Codice	Descrizione	Q.ta	Varianti
1	GU05251130	Leva cambio	1	
2	AP8121221	Piolo leva freno	1	
3	AP8120912	Gommino per leva	1	
4	GU98682316	Vite TCEI M6x16	1	
5	AP8150462	Anello Seeger d9	1	
6	GU98682320	Vite TCEI M6x20	1	
7	AP8144007	Anello OR 11,11x1,78	2	
8	GU95008213	Rosetta 12,2X20X2	1	
9	GU98682320	Vite TCEI M6x20	1	
10	GU05258230	Leva rinvio	1	
12	GU05257830	Tirante cpl.	1	
13	GU05256930	Leva rinvio	1	

<b>Gruppo</b>	TELAIO
<b>Codice</b>	33.06
<b>Descrizione</b>	Sterzo
<b>Revisione</b>	1



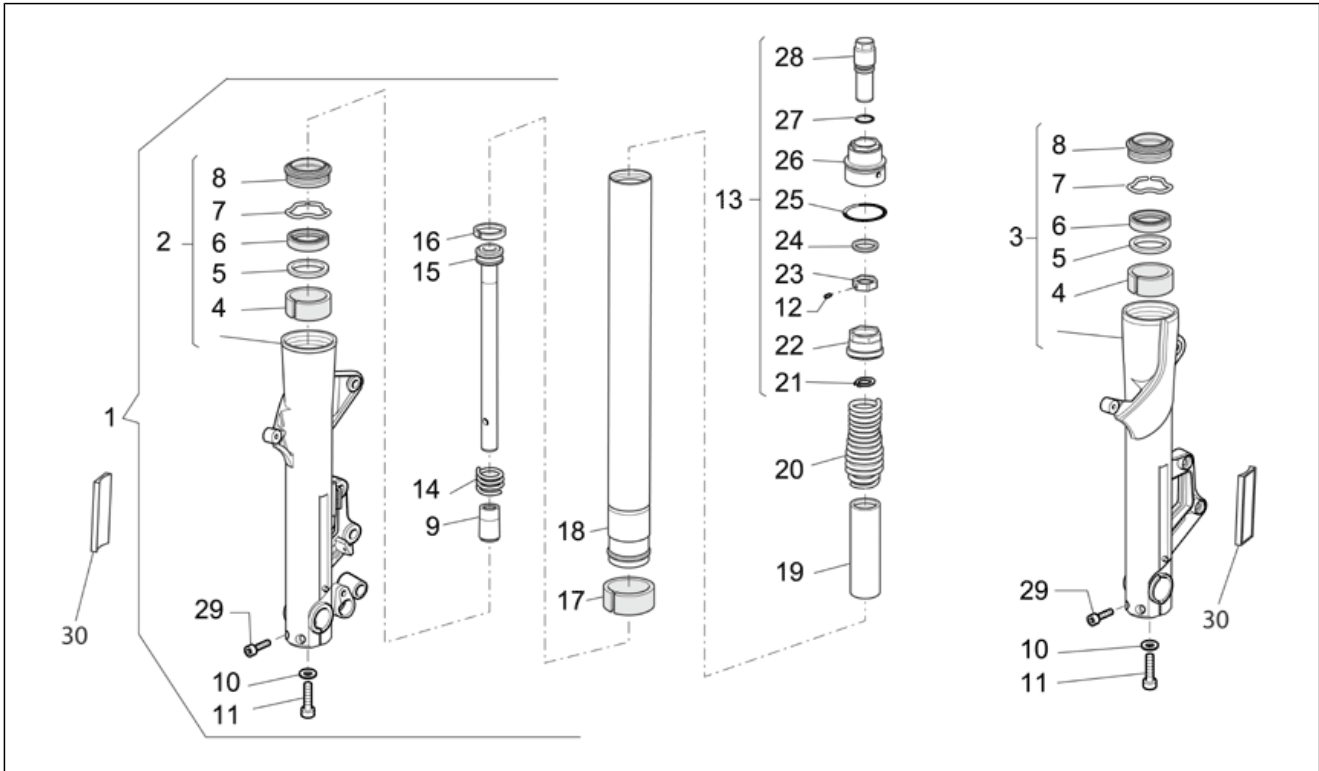
Pos.	Codice	Descrizione	Q.ta	Varianti
1	GU05493130	Piastra sup.forcella	1	
2	GU05494030	Base con canotto	1	
3	AP8123643	Controghiera	1	
4	AP8121207	Piastrina di sicurezza sterzo	1	
5	AP8123642	Ghiera	1	
6	AP8123644	Anello parapolvere	1	
7	AP8123641	Anello parapolvere	2	
8	AP8110077	Cuscinetto assiale a sfere	2	
9	AP8121205	Bussola fissaggio piastra sup.	1	
10	AP8152384	Rosetta tappo canotto	1	
11	GU98682430	Vite TCEI M8x30	2	
12	GU98682425	Vite TCEI M8x25	4	
13	GU05658431	Piastra fissaggio tubo freno	1	
14	AP8152298	Vite TBEI flangiata M5x16	2	
15	AP8221036	Boccola 5,3x8x7,1	2	

<b>Gruppo</b>	TELAIO
<b>Codice</b>	33.07
<b>Descrizione</b>	Forcella anteriore
<b>Revisione</b>	1



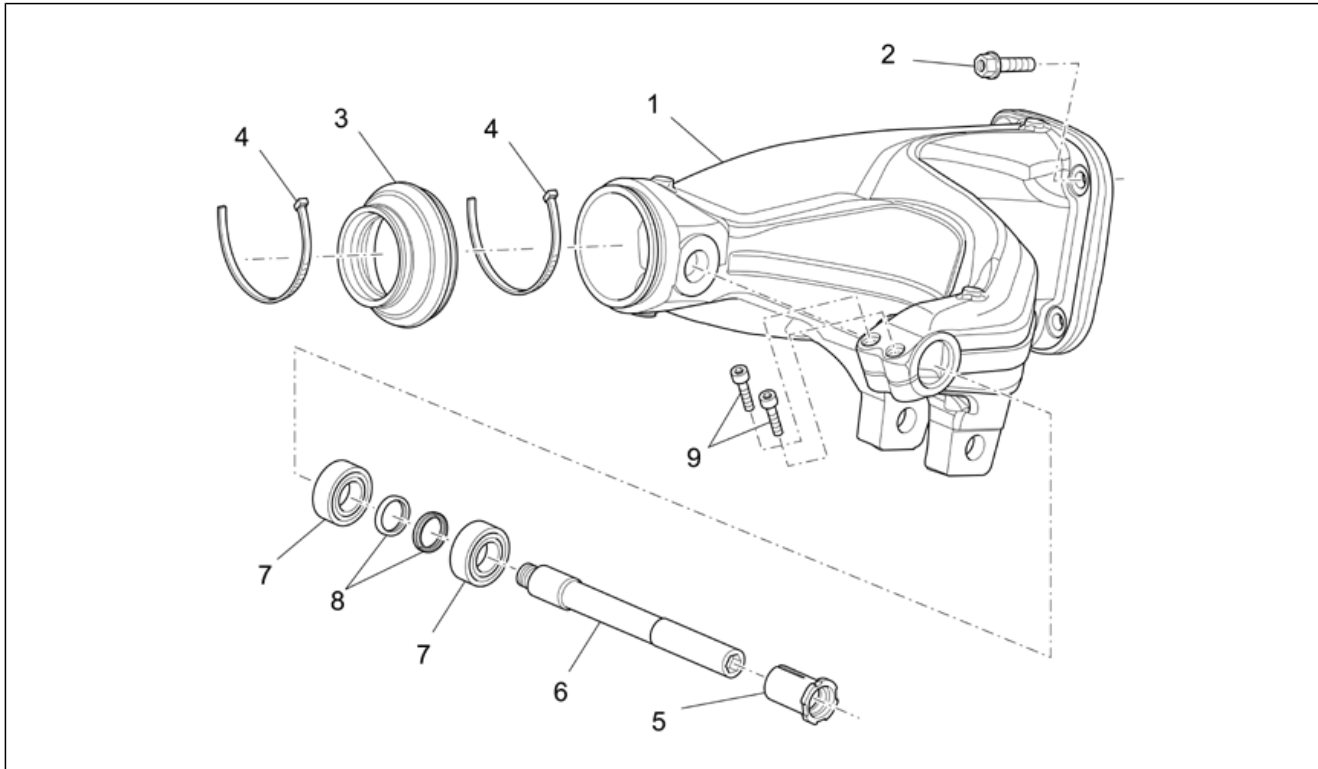
Pos.	Codice	Descrizione	Q.ta	Varianti
1	GU05490230	Forcella anteriore "Marzocchi"	1	
2	GU05490630	Fodero DX	1	
3	GU05490730	Fodero SX	1	
4	GU03530528	Bussola sup.	2	
5	GU03530527	Scodellino	2	
6	GU03530526	Anello di tenuta	2	
7	GU03530525	Anello di fermo	2	
8	GU03530524	Parapolvere	2	
9	GU03530551	Tampone	2	
10	GU05530535	Rosetta 14x10,5x1,5	2	
11	GU98682535	Vite TCEI M10x35	2	
12	GU01530501	Grano	2	
13	GU05504530	Tappo cpl.	2	
14	GU03530553	Contromolla	2	
15	GU05530530	Pompante cpl.	2	
16	GU03530550	Segmento	2	
17	GU03530510	Bussola inf.	2	
18	GU05525430	Stelo	2	
19	GU05530531	Tubo precarica	2	
20	GU05526630	Molla	2	
21	GU90271016	Anello di fermo	2	
22	GU05530532	Bussola	2	
23	GU05530533	Dado	2	
24	GU01530503	Ralla	2	
25	GU05530536	Anello OR	2	
26	0000000	Copertura	2	
27	GU01530509	Anello OR	2	
28	GU05530534	Perno di regolazione	2	

<b>Gruppo</b>	TELAIO
<b>Codice</b>	33.07
<b>Descrizione</b>	Forcella anteriore
<b>Revisione</b>	1



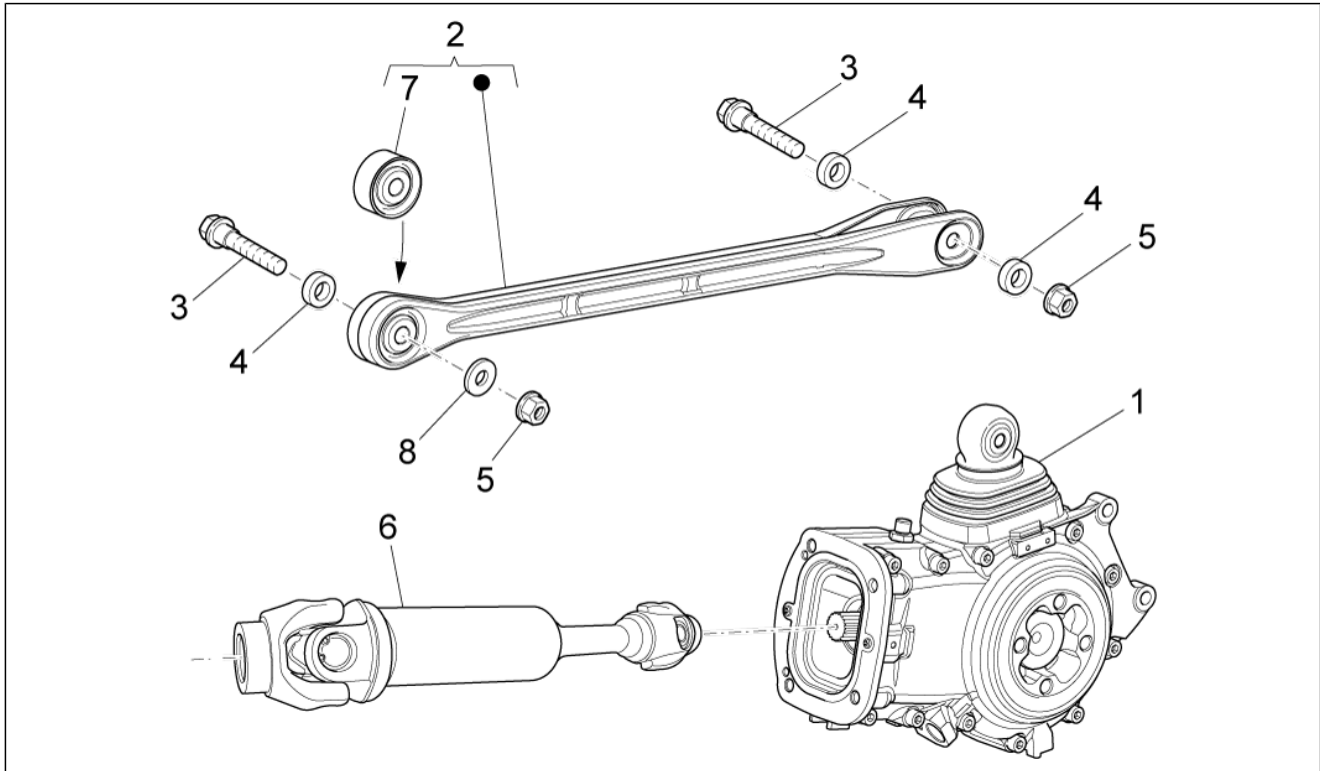
Pos.	Codice	Descrizione	Q.ta	Varianti
29	GU98680340	Vite TCEI M6x40	4	
30	GU05781630	Catadiottro ambra	2	Paese:Canada[CA], Stati Uniti d'America[USA]

<b>Gruppo</b>	TELAIO
<b>Codice</b>	33.08
<b>Descrizione</b>	Forcellone
<b>Revisione</b>	1



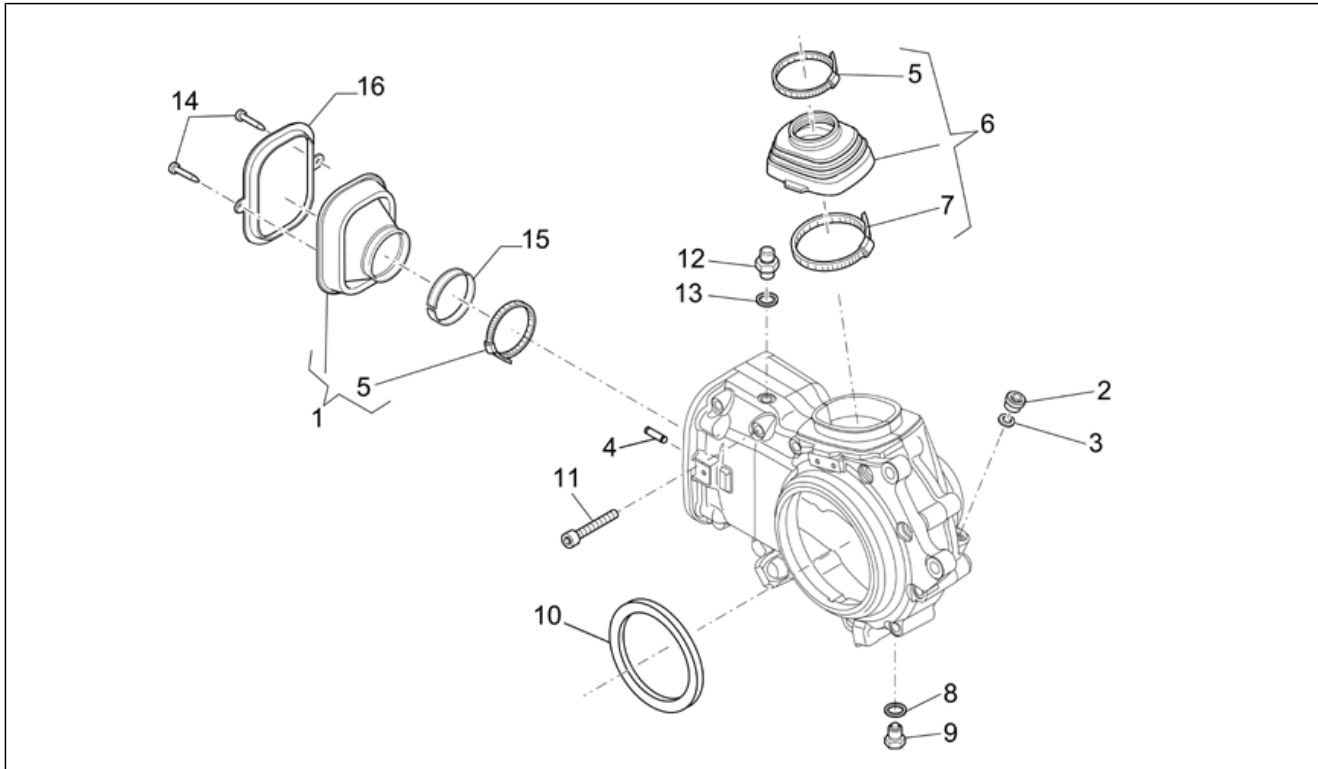
Pos.	Codice	Descrizione	Q.ta	Varianti
1	GU05540230	Forcellone post.	1	
2	AP8152318	Vite TE flangiata M10x35	4	
3	GU05548030	Soffietto in gomma	1	
4	GU93304390	Fascetta 3,6x375	2	
5	GU05547130	Bussola	1	
6	GU05547030	Perno	1	
7	GU92249224	Cuscinetto a rulli 25x47x17	2	
8	GU05547930	Anello di tenuta	2	
9	GU98682325	Vite TCEI M6x25	2	

<b>Gruppo</b>	TELAIO
<b>Codice</b>	33.09
<b>Descrizione</b>	Trasmissione posteriore
<b>Revisione</b>	1



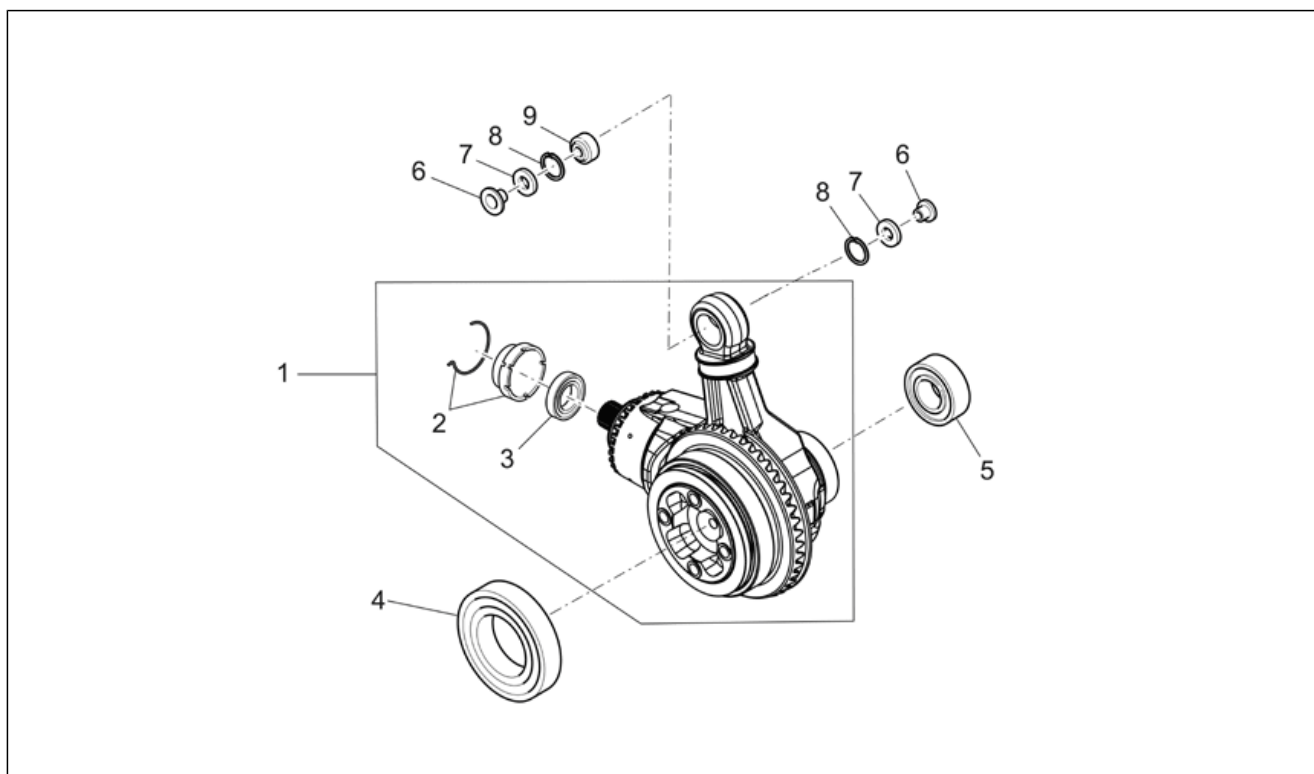
Pos.	Codice	Descrizione	Q.ta	Varianti
1	GU400122400100	Scatola trasmis.cpl.grigio	1	
2	GU05358830	Asta di reazione cpl.	1	
3	AP8152410	Vite TE flangiata M10x55	2	
4	AP8121218	Distanziale 10,2x20x4	3	
5	AP8152242	Dado	2	
6	GU05326330	Albero trasmissione	1	
7	883045	Silent block	1	
8	GU14018400	Rosetta 10,5X21X1	1	

<b>Gruppo</b>	TELAIO
<b>Codice</b>	33.10
<b>Descrizione</b>	Trasmissione post.-Scatola
<b>Revisione</b>	1



Pos.	Codice	Descrizione	Q.ta	Varianti
1	GU05358330	Cuffia copripolvere	1	
2	GU05351230	Tappo olio M12x1,5	1	
3	GU90718120	Rosetta	1	
4	GU95510620	Spina 6x20	2	
5	GU05358130	Fascetta	2	
6	GU05358030	Cuffia copripolvere	1	
7	GU05358230	Fascetta	1	
8	GU01528930	Guarnizione 10x18x1,5	1	
9	GU31003766	Tappo scarico olio M10x1	1	
10	GU90408511	Anello di tenuta 85x110x8BASL	1	
11	GU98680450	Vite TCEI M8x50	11	
12	GU05206530	Tappo sfiato	1	
13	GU01528930	Guarnizione 10x18x1,5	1	
14	GU99210406	Vite M3,9x6,5	2	
15	GU05358530	Anello	1	
16	GU05358630	Guarnizione	1	

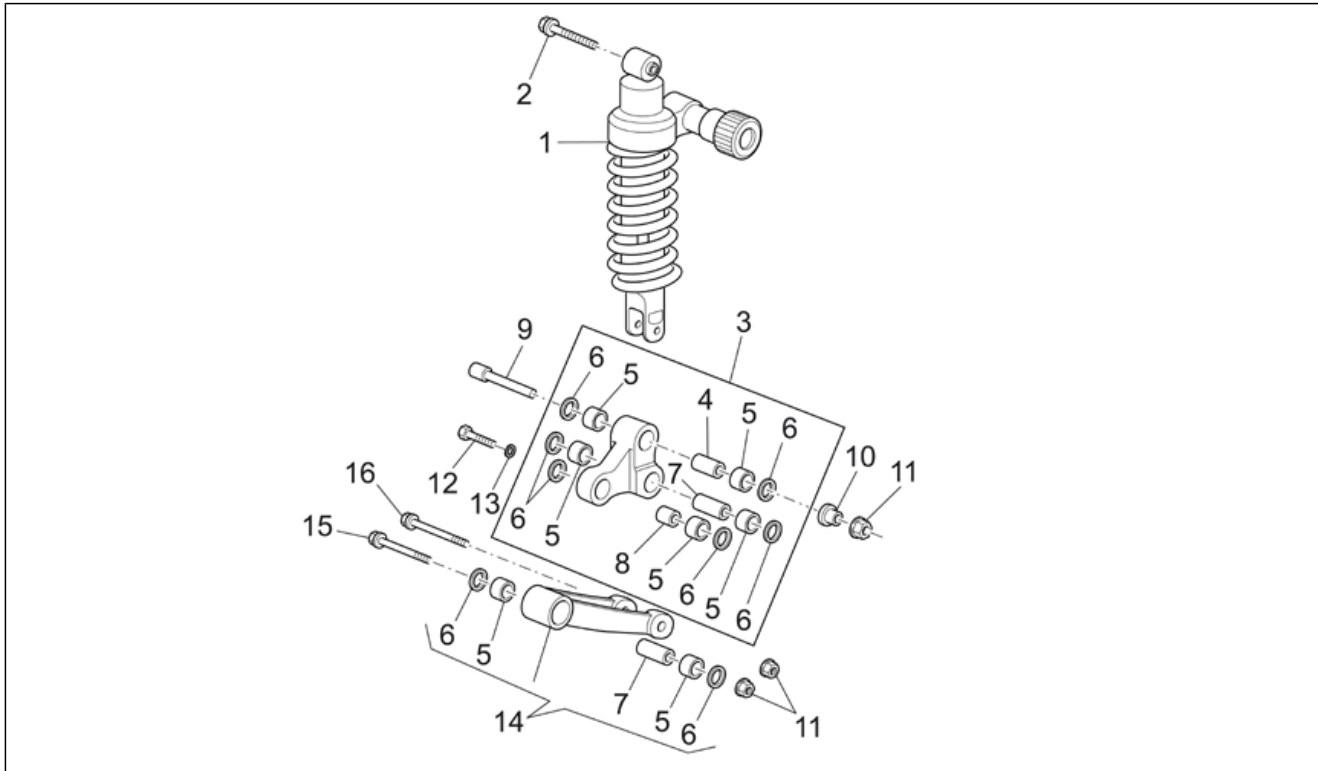
<b>Gruppo</b>	TELAIO
<b>Codice</b>	33.11
<b>Descrizione</b>	Trasmis.post.-Coppia conica
<b>Revisione</b>	1



Pos.	Codice	Descrizione	Q.ta	Varianti
1	GU05354230	Kit coppia conica 12/44	1	
2	GU05352430	Ghiera	1	
3	GU90404558	Anello di tenuta 45x58x7	1	
4	GU92208518	Cuscinetto a sfere 85x120x18	1	
5	GU92204230	Cuscinetto a sfere 30x62x16	1	
6	AP8121098	Bussola	2	
7	AP8120485	Anello di tenuta	2	
8	GU90273026	Anello Seeger	2	
9	GU05638130	Snodo sferico	1	

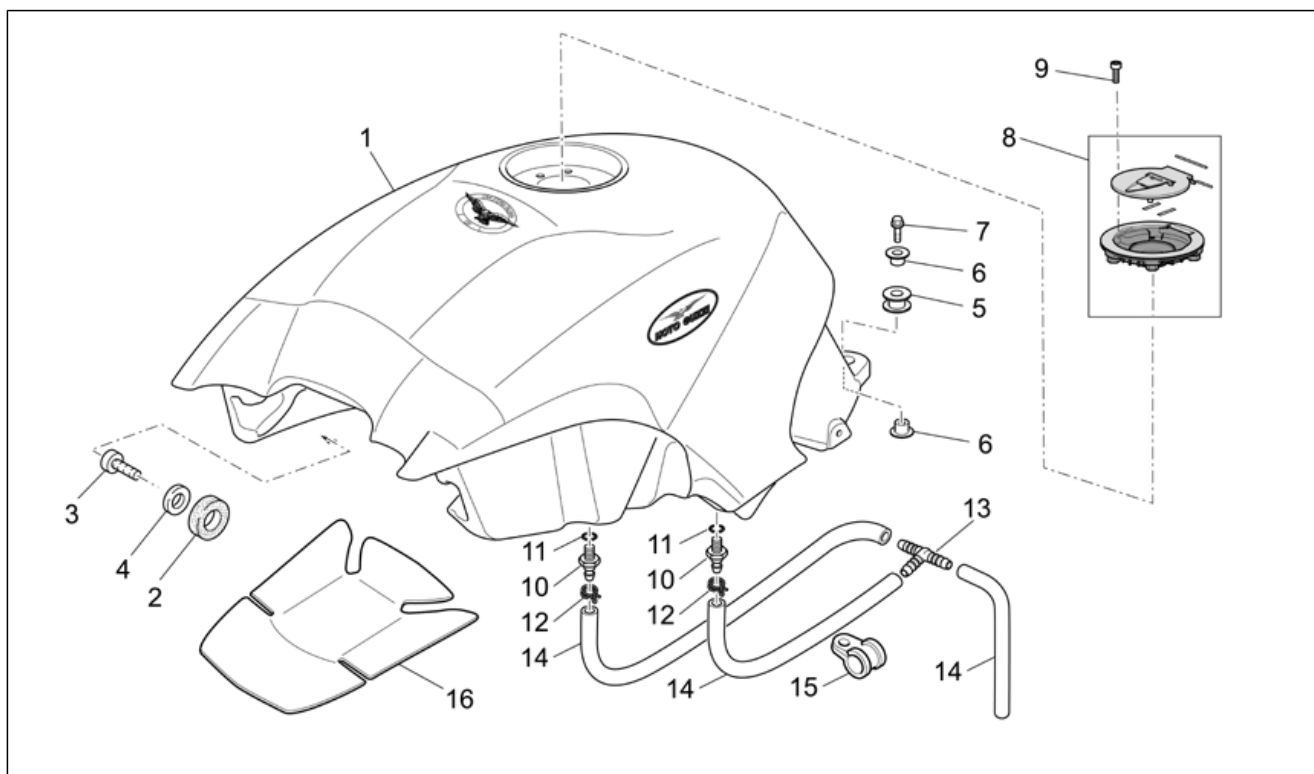


<b>Gruppo</b>	TELAIO
<b>Codice</b>	33.12
<b>Descrizione</b>	Bielletta e ammortizzatore post.
<b>Revisione</b>	1



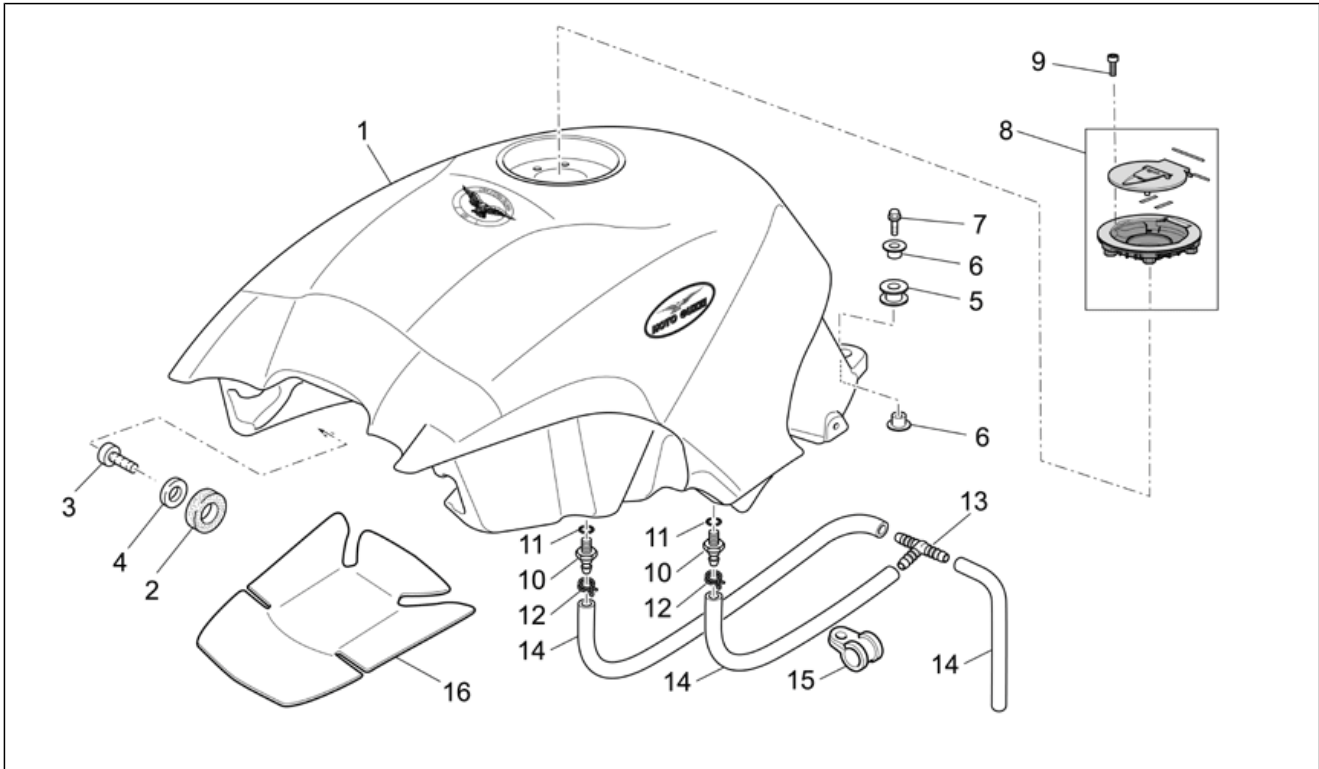
Pos.	Codice	Descrizione	Q.ta	Varianti
1	GU05550230	Ammortizzatore	1	
2	AP8152398	Vite TE flangiata M10x80	1	
3	GU05560330	Biella doppia	1	
4	AP8135924	Spinotto biella doppia L40	1	
5	AP8110066	Astuccio a rullini	7	
6	AP8110068	Paraolio D18x24x3	8	
7	GU05562030	Spinotto biella doppia L47	2	
8	AP8135608	Spinotto biella doppia L25	1	
9	AP8152397	Vite TCEI M10x82	1	
10	AP8121155	Bussola a 'T' *	1	
11	AP8152301	Dado autobloc.flang.	3	
12	AP8152147	Vite TE M10x47	1	
13	AP8150292	Rosetta elastica curva *	1	
14	GU05562430	Biella singola cpl.	1	
15	AP8152482	Vite TE flangiata M10x85	1	
16	AP8152396	Vite TE flangiata M10x95	1	

<b>Gruppo</b>	TELAIO
<b>Codice</b>	33.13
<b>Descrizione</b>	Serbatoio benzina
<b>Revisione</b>	1



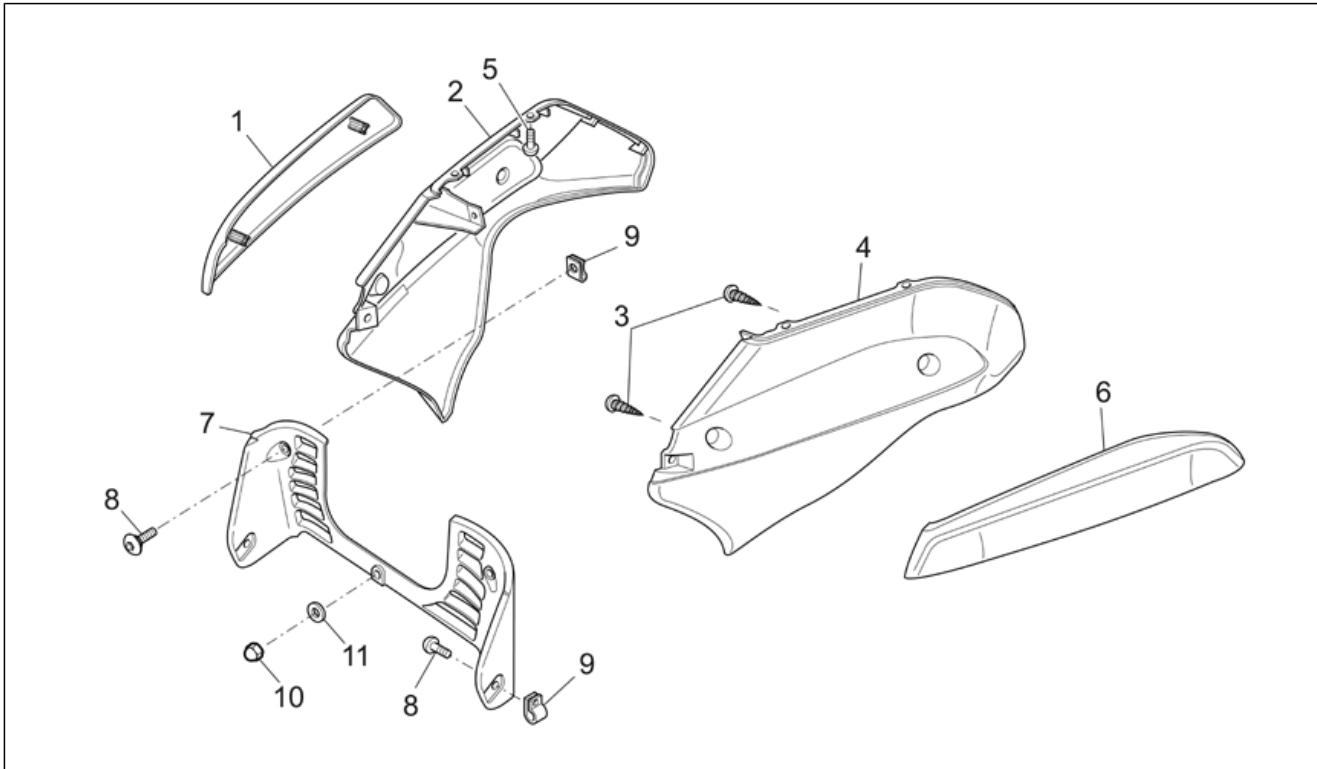
Pos.	Codice	Descrizione	Q.ta	Varianti
1	977557	Serbatoio benz.arancio	1	<b>Colore veicolo:</b> Arancio 2006[or] <b>Paese:</b> Australia[AUS], Altri paesi Europa[EU], Giappone[J], Gran Bretagna[UK]
1	977558	Serbatoio benz.arancio	1	<b>Colore veicolo:</b> Arancio 2006[or] <b>Paese:</b> Canada[CA], Stati Uniti d'America[USA]
1	GU05100230	Serbatoio benz.grezzo	1	<b>Colore veicolo:</b> Grezzo[gr] <b>Paese:</b> Australia[AUS], Altri paesi Europa[EU], Giappone[J], Gran Bretagna[UK]
1	GU05100230BM	Serbatoio benz.v.bianco	1	<b>Colore veicolo:</b> Bianco Diamante 2007[d/wh] <b>Paese:</b> Australia[AUS], Altri paesi Europa[EU], Giappone[J], Gran Bretagna[UK]
1	GU05100231	Serbatoio benz.rosso	1	<b>Colore veicolo:</b> Rosso Race 2005-2006[r/re] <b>Paese:</b> Australia[AUS], Altri paesi Europa[EU], Giappone[J], Gran Bretagna[UK]
1	GU05100232	Serbatoio benz.nero	1	<b>Colore veicolo:</b> Nero Guzzi 2005-2006[g/bl] <b>Paese:</b> Australia[AUS], Altri paesi Europa[EU], Giappone[J], Gran Bretagna[UK]
1	GU05100233	Serbatoio benz.grigio	1	<b>Colore veicolo:</b> Grigio sasso del Lario 2005-2006[s/gr] <b>Paese:</b> Australia[AUS], Altri paesi Europa[EU], Giappone[J], Gran Bretagna[UK]
1	GU05100235	Serbatoio benz.grezzo	1	<b>Colore veicolo:</b> Grezzo[gr] <b>Paese:</b> Canada[CA], Stati Uniti d'America[USA]
1	GU05100235BM	Serbatoio benz.v.bianco	1	<b>Colore veicolo:</b> Bianco Diamante 2007[d/wh] <b>Paese:</b> Canada[CA], Stati Uniti d'America[USA]
1	GU05100236	Serbatoio benz.rosso	1	<b>Colore veicolo:</b> Rosso Race 2005-2006[r/re] <b>Paese:</b> Canada[CA], Stati Uniti d'America[USA]
1	GU05100237	Serbatoio benz.nero	1	<b>Colore veicolo:</b> Nero Guzzi 2005-2006[g/bl] <b>Paese:</b> Canada[CA], Stati Uniti d'America[USA]
1	GU05100238	Serbatoio benz.grigio	1	<b>Colore veicolo:</b> Grigio sasso del Lario 2005-2006[s/gr] <b>Paese:</b> Canada[CA], Stati Uniti d'America[USA]
2	AP8201124	Gommino *	2	
3	GU98682414	Vite TCEI	2	
4	GU95008208	Rosetta 8,4X15X1,5	2	

<b>Gruppo</b>	TELAIO
<b>Codice</b>	33.13
<b>Descrizione</b>	Serbatoio benzina
<b>Revisione</b>	1



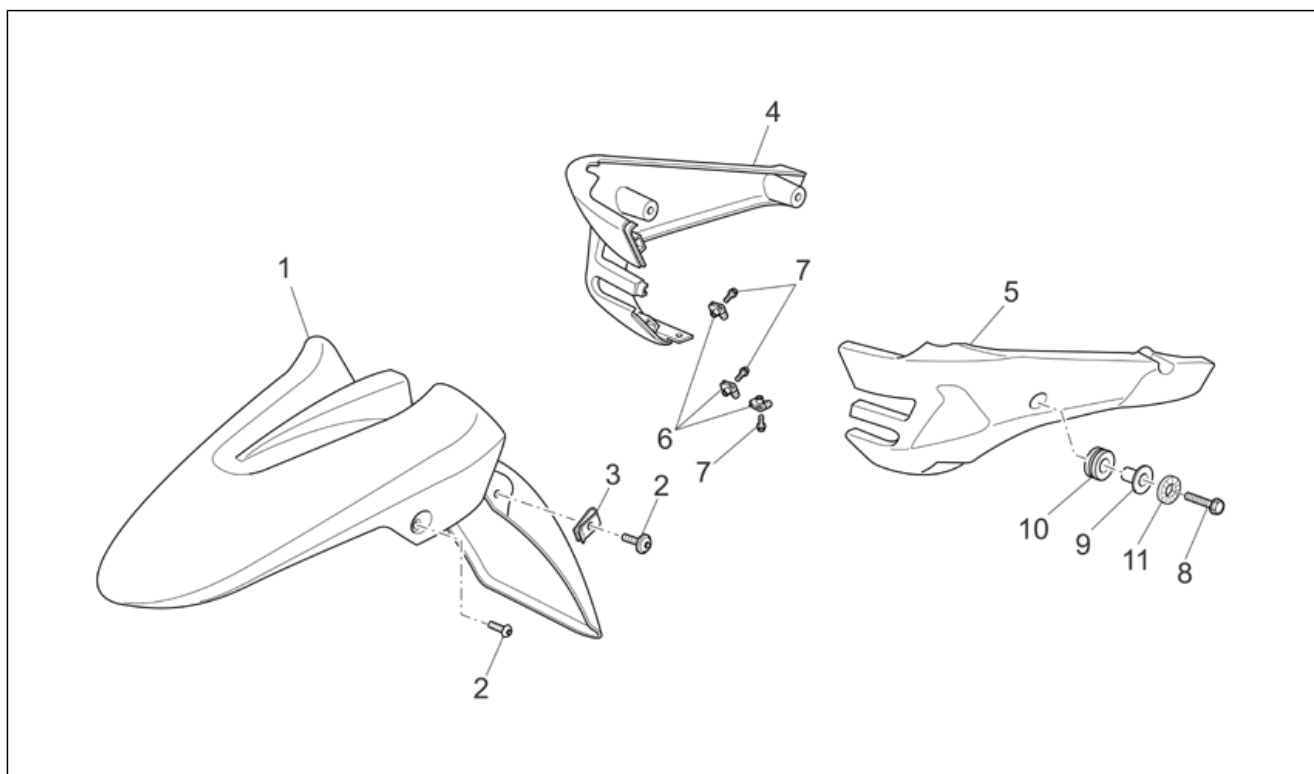
Pos.	Codice	Descrizione	Q.ta	Varianti
5	GU02107100	Gommino	1	
6	AP8121804	Distanziale *	2	
7	AP8152291	Vite TE flangiata	1	
8	GU05103930	Tappo serbatoio	1	
9	GU98692216	Vite TCEI	4	
10	GU30103730	Raccordo	2	
11	AP8120965	Anello OR 2018	2	
12	AP8101595	Fascetta D10,1	2	
13	AP8104666	Raccordo a tre vie	1	
14	AP8120952	Tubo benz. 5,5x10	3	
15	AP8104451	Guidacavo	2	
16	GU05102930	Pannello antialcore cent.	1	

<b>Gruppo</b>	TELAIO
<b>Codice</b>	33.14
<b>Descrizione</b>	Carrozzeria ant. - Convogliatori
<b>Revisione</b>	1



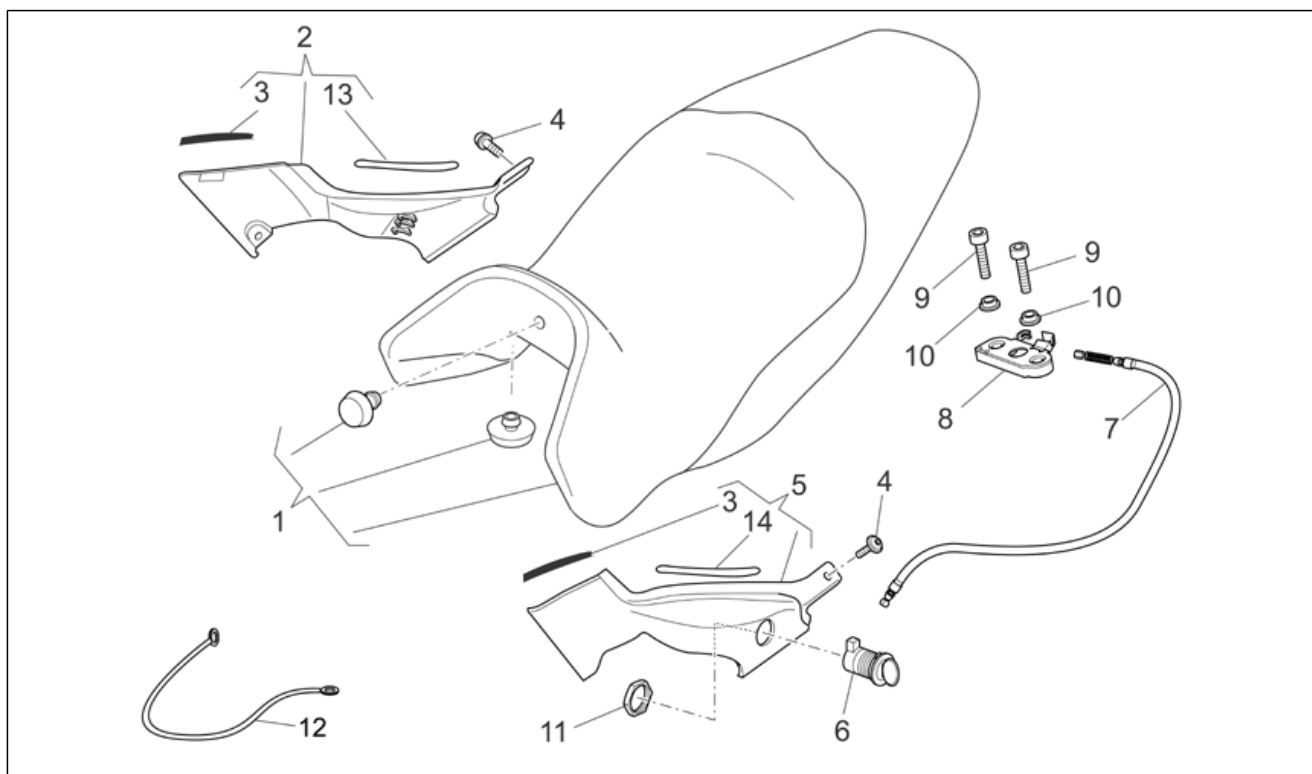
Pos.	Codice	Descrizione	Q.ta	Varianti
1	GU05576631	Protezione dx	1	
2	GU05576230	Carena laterale dx grezza	1	Colore veicolo:Grezzo[gr]
2	GU05576231	Carena laterale dx technogrey	1	
3	AP8150413	Vite autof. 3,9x14	4	
4	GU05576330	Carena laterale sx grezza	1	Colore veicolo:Grezzo[gr]
4	GU05576331	Carena laterale sx technogrey	1	
5	AP8152339	Vite TBEI flangiata M5x9	6	
6	GU05576731	Protezione sx	1	
7	GU05476430	Griglia radiatore	1	
8	AP8152302	Vite TBEI flangiata M5x12	4	
9	AP8102375	Clip m5	4	
10	GU92787205	Dado cieco	1	
11	GU95005304	Rosetta 5,2x18x1,5	1	

<b>Gruppo</b>	TELAIO
<b>Codice</b>	33.15
<b>Descrizione</b>	Parafango ant.-Puntale carena
<b>Revisione</b>	1



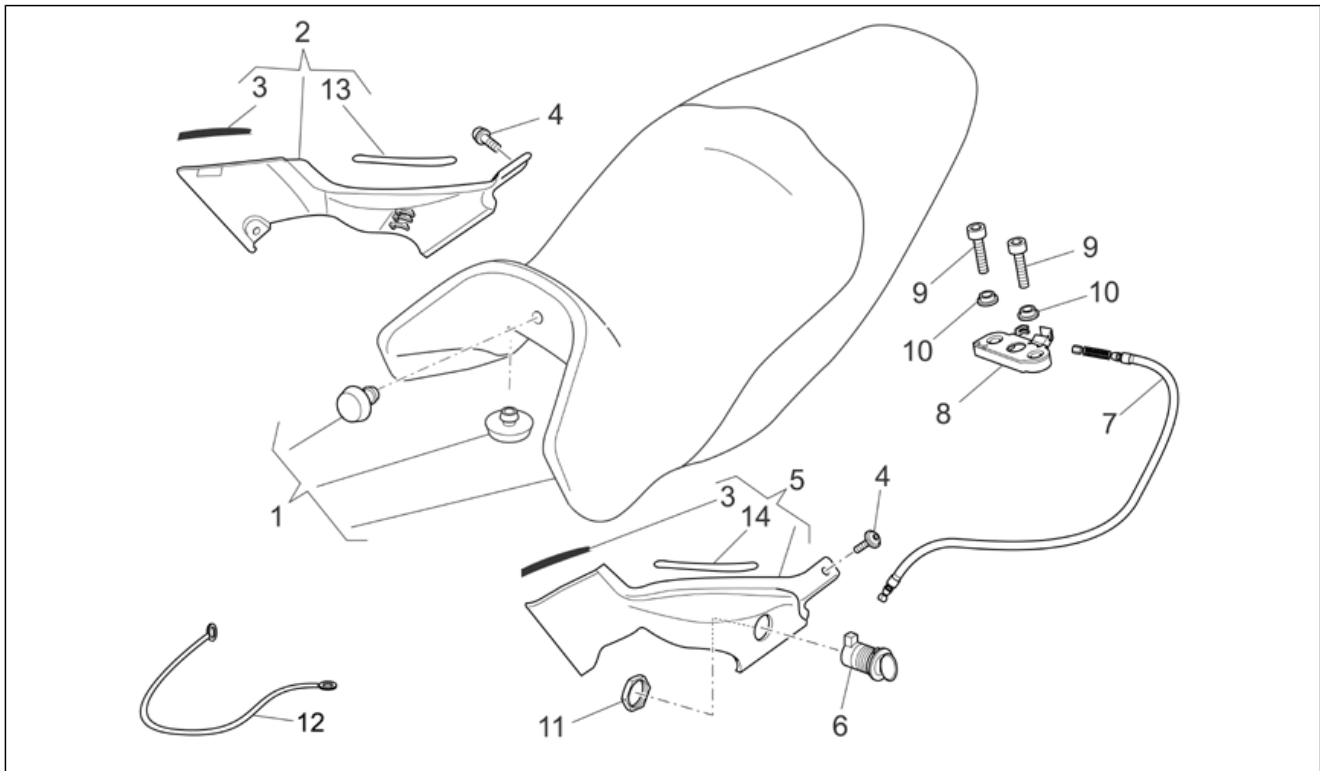
Pos.	Codice	Descrizione	Q.ta	Varianti
1	977556	Parafango ant.arancio	1	Colore veicolo:Arancio 2006[or]
1	GU05434330	Parafango ant.grezzo	1	Colore veicolo:Grezzo[gr]
1	GU05434330BM	Parafango ant.v.bianco	1	Colore veicolo:Bianco Diamante 2007[d/wh]
1	GU05434331	Parafango ant.rosso	1	Colore veicolo:Rosso Race 2005-2006[r/re]
1	GU05434332	Parafango ant.nero	1	Colore veicolo:Nero Guzzi 2005-2006[g/bl]
1	GU05434333	Parafango ant.grigio	1	Colore veicolo:Grigio sasso del Lario 2005-2006[s/gr]
2	AP8152302	Vite TBEI flangiata M5x12	4	
3	AP8102375	Clip m5	2	
4	GU05570530	Puntale carena dx	1	
5	GU05570630	Puntale carena sx	1	
6	AP8102375	Clip m5	3	
7	AP8152339	Vite TBEI flangiata M5x9	3	
8	AP8152287	Vite TE flangiata M8x25	4	
9	AP8221128	Bussola a 'T' 8,5x10,7x12	4	
10	AP8120594	Gommino	4	
11	GU95008308	Rosetta	4	

<b>Gruppo</b>	TELAIO
<b>Codice</b>	33.16
<b>Descrizione</b>	Sella-Carrozzeria cent.
<b>Revisione</b>	1



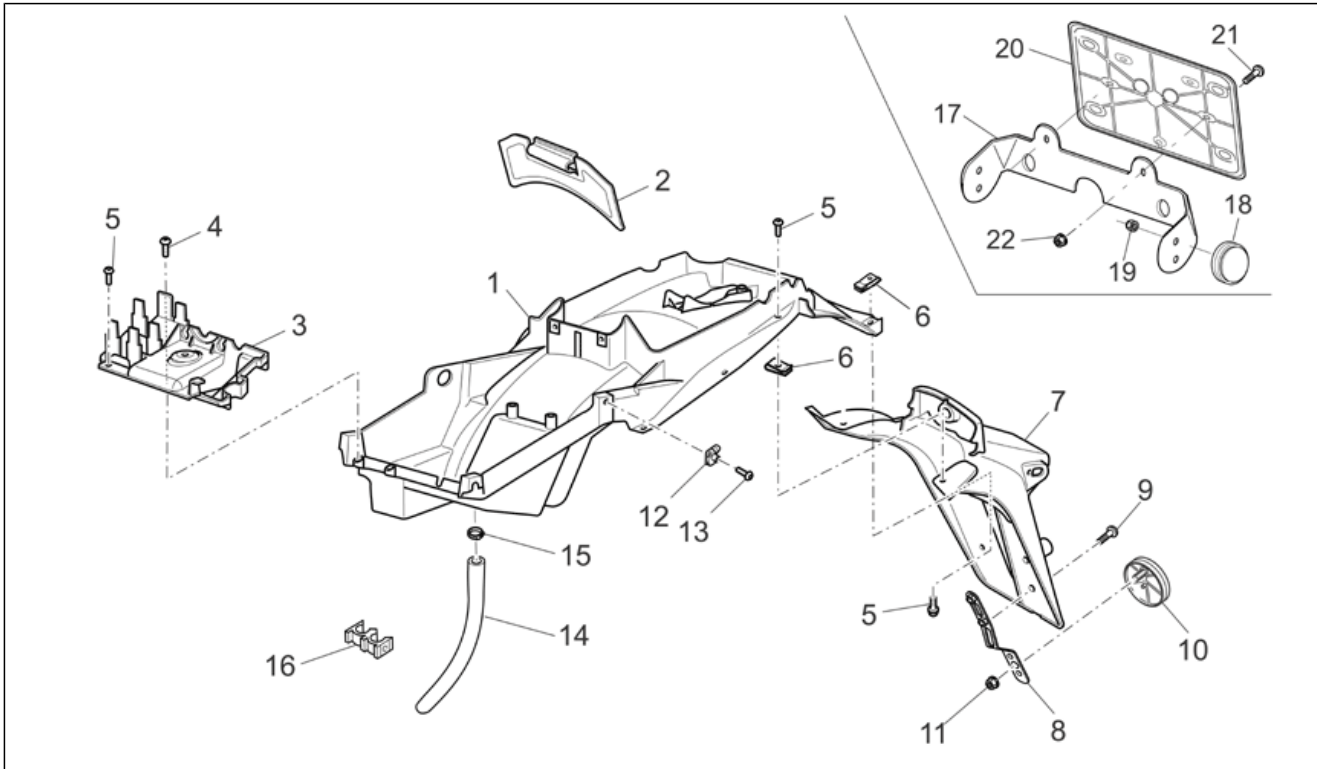
Pos.	Codice	Descrizione	Q.ta	Varianti
1	978249	Sella nera	1	Anno:2007[7]
1	GU05460530	Sella nera/grigia	1	Anno:2005[5], 2006[6] Colore veicolo:Arancio 2006[or], Rosso Race 2005-2006[r/re], Grigio sasso del Lario 2005-2006[s/gr]
1	GU05460530	Sella nera/grigia	1	Anno:2005[5], 2006[6] Colore veicolo:Nero Guzzi 2005-2006[g/bl] Paese:Gran Bretagna[UK]
1	GU05460531	Sella rossa	1	Anno:2005[5], 2006[6] Colore veicolo:Nero Guzzi 2005-2006[g/bl] Paese:Australia[AUS], Canada[CA], Altri paesi Europa[EU], Giappone[J], Stati Uniti d'America[USA]
2	977559	Fiancatina dx arancio	1	Colore veicolo:Arancio 2006[or]
2	GU05570230	Fiancatina dx grezzo	1	Colore veicolo:Grezzo[gr]
2	GU05570230BM	Fiancatina dx v.bianco	1	Colore veicolo:Bianco Diamante 2007[d/wh]
2	GU05570231	Fiancatina dx rossa	1	Colore veicolo:Rosso Race 2005-2006[r/re]
2	GU05570232	Fiancatina dx nera	1	Colore veicolo:Nero Guzzi 2005-2006[g/bl]
2	GU05570233	Fiancatina dx grigio	1	Colore veicolo:Grigio sasso del Lario 2005-2006[s/gr]
3	AP8144538	Guarnizione	2	
4	AP8152339	Vite TBEI flangiata M5x9	2	
5	977560	Fiancatina sx arancio	1	Colore veicolo:Arancio 2006[or]
5	GU05570430	Fiancatina sx grezzo	1	Colore veicolo:Grezzo[gr]
5	GU05570430BM	Fiancatina sx v.bianco	1	Colore veicolo:Bianco Diamante 2007[d/wh]
5	GU05570431	Fiancatina sx rossa	1	Colore veicolo:Rosso Race 2005-2006[r/re]
5	GU05570432	Fiancatina sx nera	1	Colore veicolo:Nero Guzzi 2005-2006[g/bl]
5	GU05570433	Fiancatina sx grigio	1	Colore veicolo:Grigio sasso del Lario 2005-2006[s/gr]
6	GU05466830	Serratura sella	1	
7	AP8102914	Cavo serratura sella	1	
8	AP8102913	Piastra attacco sella pass.	1	
9	GU98370625	Vite TBEI	2	
10	AP8152299	Dado autobloc.flang. M6	2	

<b>Gruppo</b>	TELAIO
<b>Codice</b>	33.16
<b>Descrizione</b>	Sella-Carrozzeria cent.
<b>Revisione</b>	1



Pos.	Codice	Descrizione	Q.ta	Varianti
11	AP8102523	Dado serratura M22x1,5	1	
12	AP8102502	Cavo aggancio casco	1	
13	GU05573830	Decalco protez.fiancata dx	1	
14	GU05573831	Decalco protez.fiancata sx	1	

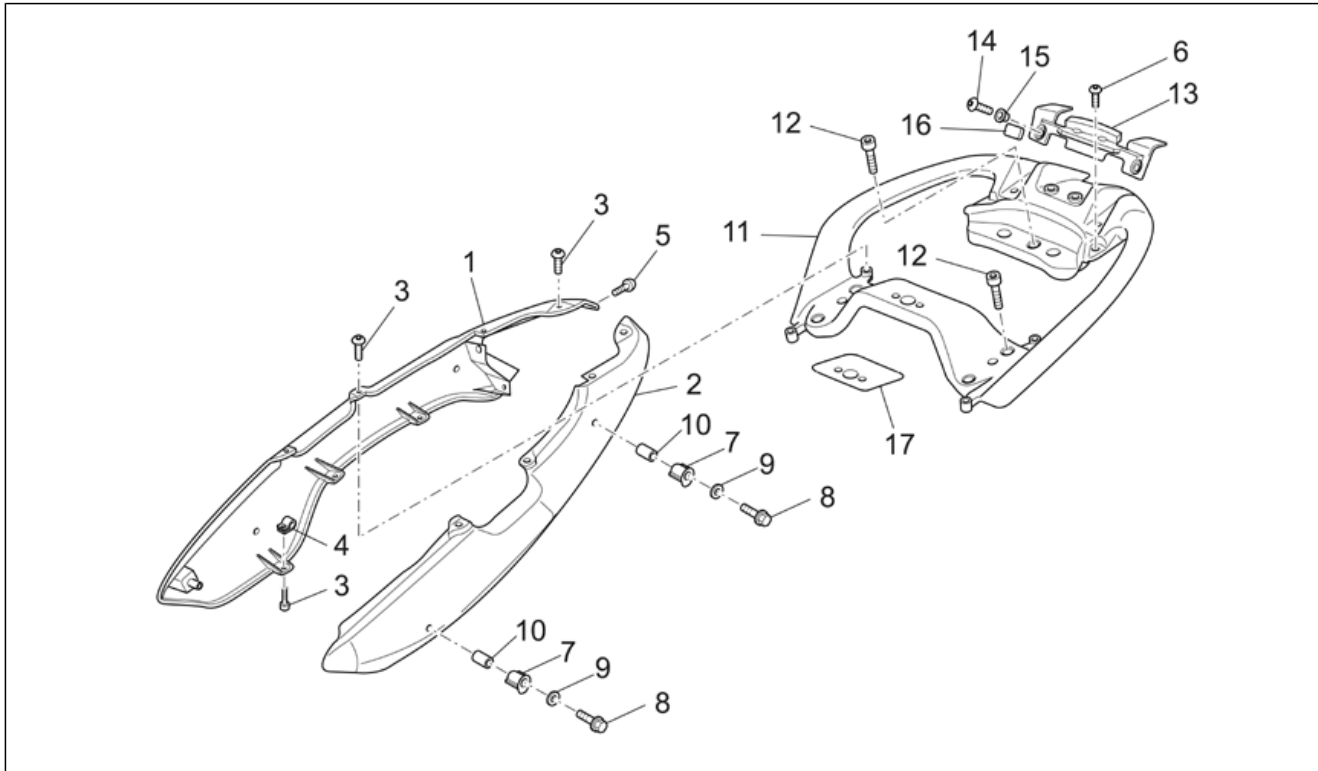
<b>Gruppo</b>	TELAIO
<b>Codice</b>	33.17
<b>Descrizione</b>	Carrozzeria Post. - Parafango
<b>Revisione</b>	1



Pos.	Codice	Descrizione	Q.ta	Varianti
1	883828	Paraspruzzi	1	<b>Specifiche Tecniche:</b> Veicoli con batteria YT20-BS[B]
1	GU05438730	Paraspruzzi	1	<b>Specifiche Tecniche:</b> Veicoli con batteria YTX20CH-BS[A]
2	GU05479630	Sportello	1	
3	GU05780530	Supporto	1	
4	AP8152329	Vite SWP t.croce flang. M5x20	2	
5	AP8152339	Vite TBEI flangiata M5x9	7	
6	AP8102375	Clip m5	4	
7	GU05438630	Portatarga	1	
8	AP8134448	Supporto catadiottro	1	
9	AP8152267	Vite TBEI speciale M5x12	2	
10	AP8224164	Catadiottro rosso	1	
11	AP8152306	Dado autobloc.flang. m5	1	
12	GU28576591	Clip M6	6	
13	GU98370614	Vite TBEI M6x14	6	
14	AP8120952	Tubo benz. 5,5x10	1	
15	AP8101595	Fascetta D10,1	1	
16	AP8201808	Guidacavo D8	2	
17	AP8258253	Supporto catadiottro post.	1	<b>Paese:</b> Canada[CA], Stati Uniti d'America[USA]
18	AP8224164	Catadiottro rosso	2	<b>Paese:</b> Canada[CA], Stati Uniti d'America[USA]
19	AP8152306	Dado autobloc.flang. m5	2	<b>Paese:</b> Canada[CA], Stati Uniti d'America[USA]
20	AP8149034	Supporto targa	1	<b>Paese:</b> Canada[CA], Stati Uniti d'America[USA]
21	GU98210616	Vite TBEI flangiata M6x16 inox	2	<b>Paese:</b> Canada[CA], Stati Uniti d'America[USA]
22	AP8152299	Dado autobloc.flang. M6	2	<b>Paese:</b> Canada[CA], Stati Uniti d'America[USA]

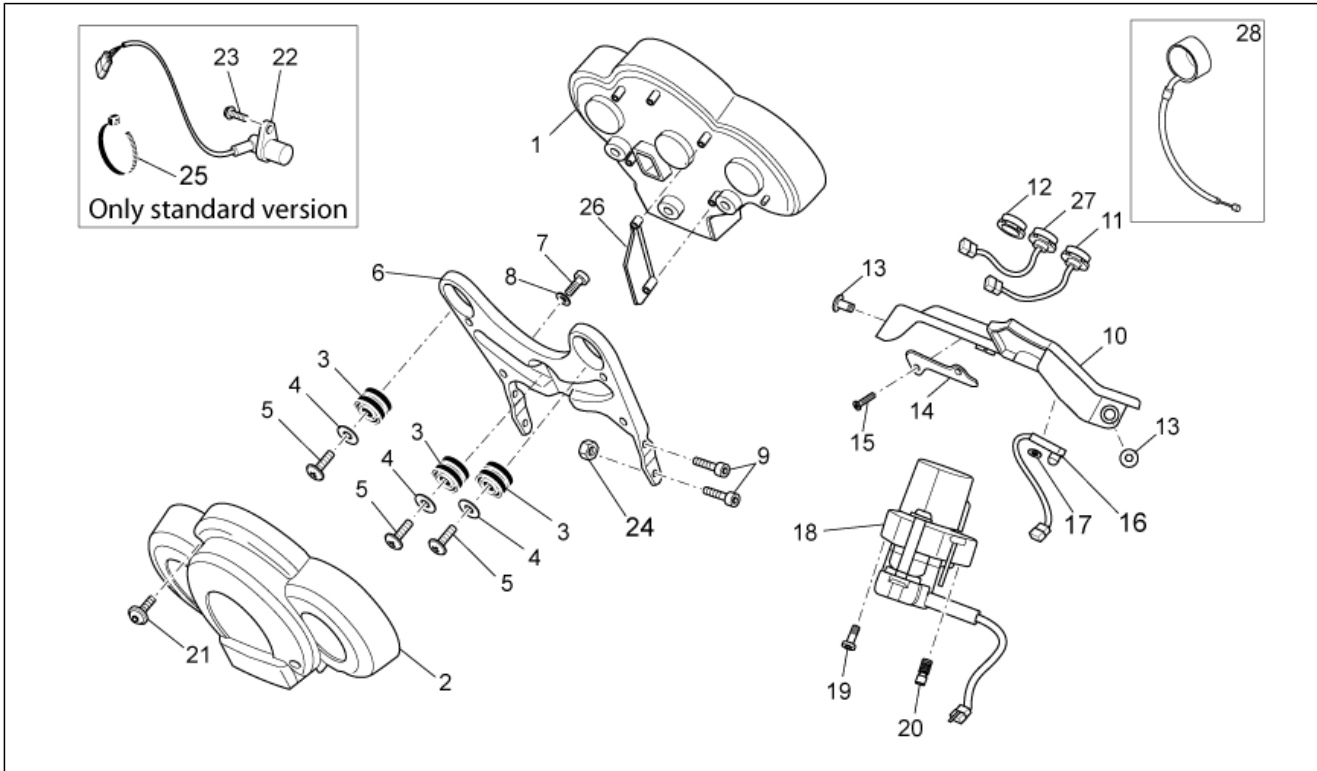


<b>Gruppo</b>	TELAIO
<b>Codice</b>	33.18
<b>Descrizione</b>	Carr. Post. - Codone
<b>Revisione</b>	1



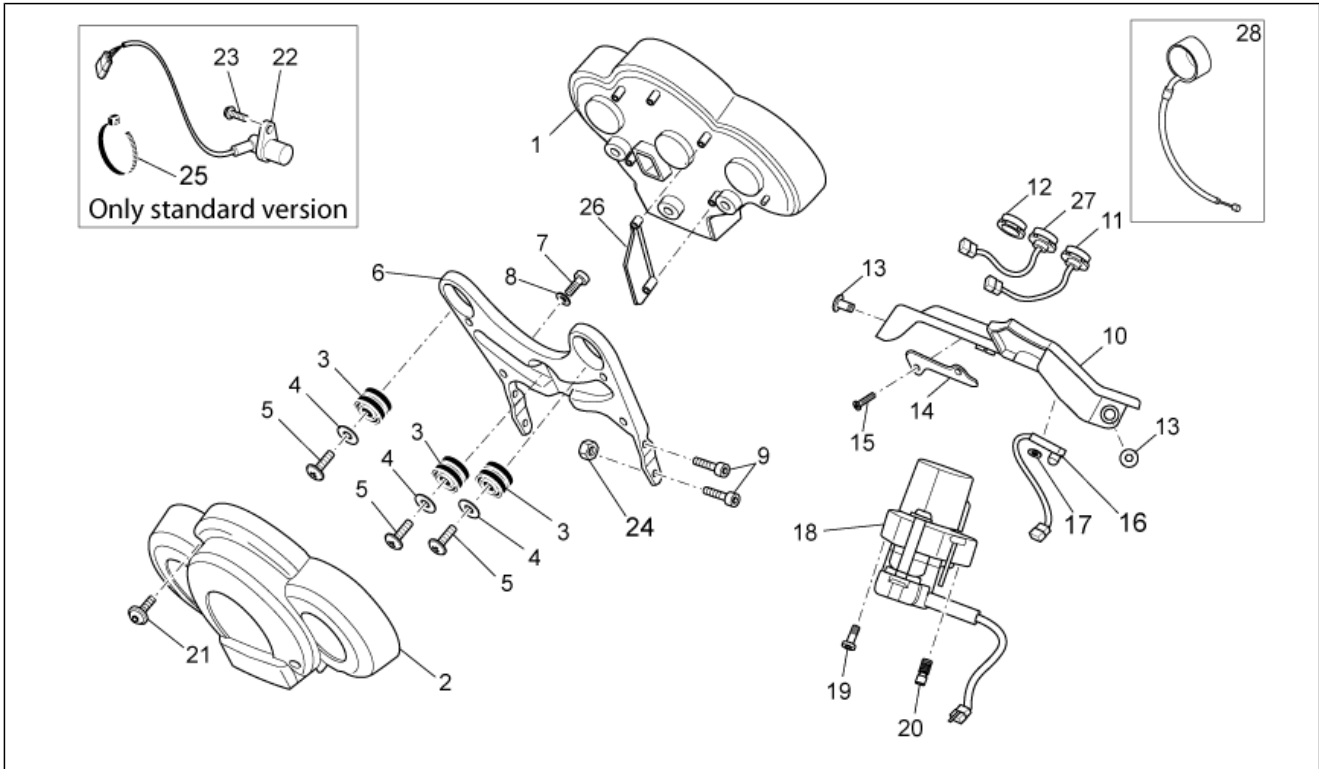
Pos.	Codice	Descrizione	Q.ta	Varianti
1	977561	Codone dx v.arancio	1	Colore veicolo:Arancio 2006[or]
1	GU05573230	Codone dx grezzo	1	Colore veicolo:Grezzo[gr]
1	GU05573230BM	Codone dx v.bianco	1	Colore veicolo:Bianco Diamante 2007[d/wh]
1	GU05573231	Codone dx v.rosso	1	Colore veicolo:Rosso Race 2005-2006[r/re]
1	GU05573232	Codone dx v.nero	1	Colore veicolo:Nero Guzzi 2005-2006[g/bl]
1	GU05573233	Codone dx v.grigio	1	Colore veicolo:Grigio sasso del Lario 2005-2006[s/gr]
2	977562	Codone sx v.arancio	1	Colore veicolo:Arancio 2006[or]
2	GU05573330	Codone sx grezzo	1	Colore veicolo:Grezzo[gr]
2	GU05573330BM	Codone sx v.bianco	1	Colore veicolo:Bianco Diamante 2007[d/wh]
2	GU05573331	Codone sx v.rosso	1	Colore veicolo:Rosso Race 2005-2006[r/re]
2	GU05573332	Codone sx v.nero	1	Colore veicolo:Nero Guzzi 2005-2006[g/bl]
2	GU05573333	Codone sx v.grigio	1	Colore veicolo:Grigio sasso del Lario 2005-2006[s/gr]
3	AP8152339	Vite TBEI flangiata M5x9	10	
4	AP8102375	Clip m5	10	
5	GU98682215	Vite TCEI	2	
6	AP8152302	Vite TBEI flangiata M5x12	2	
7	GU05467330	Gancio	4	
8	AP8152292	Vite TE flangiata	4	
9	GU03270300	Rosetta 8,4x15	4	
10	GU91120924	Distanziale 9x18x24	4	
11	GU05464330	Maniglia cpl.	1	
12	GU98682425	Vite TCEI M8x25	5	
13	GU05464830	Coperchio	1	
14	AP8152055	Vite TBEI M8x12	2	
15	AP8121096	Bussola a 'T' 8,2x12x4	2	
16	AP8120455	Gommino	2	
17	GU32944210	Decalco protezione	1	

<b>Gruppo</b>	TELAIO
<b>Codice</b>	33.19
<b>Descrizione</b>	Cruscotto
<b>Revisione</b>	1



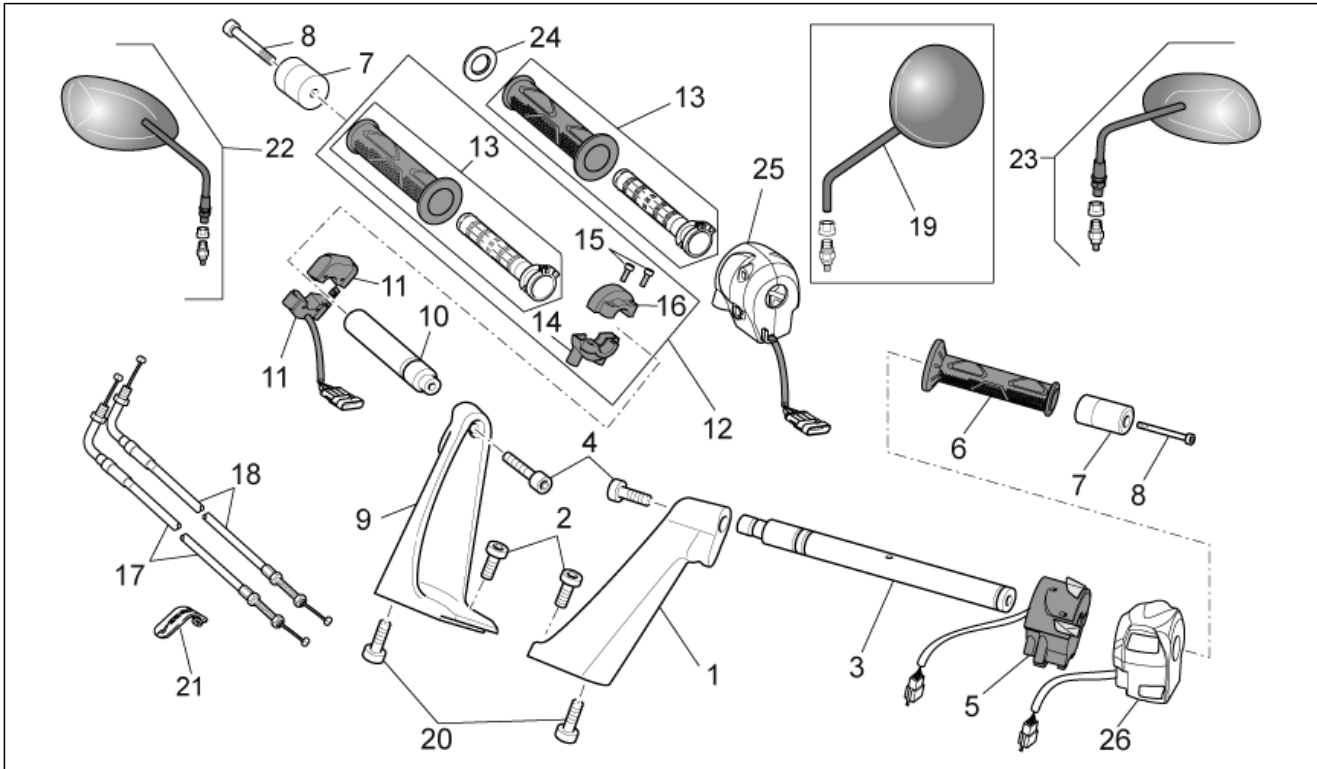
Pos.	Codice	Descrizione	Q.ta	Varianti
1	977523	Cruscotto cpl.	1	Anno:2007[7] Paese:Australia[AUS], Canada[CA], Altri paesi Europa[EU], Giappone[J]
1	977524	Cruscotto cpl.	1	Anno:2007[7] Paese:Gran Bretagna[UK], Stati Uniti d'America[USA]
1	GU05760030	Cruscotto cpl.	1	Anno:2005[5], 2006[6] Paese:Australia[AUS], Canada[CA], Altri paesi Europa[EU], Giappone[J]
1	GU05760031	Cruscotto cpl.	1	Anno:2005[5], 2006[6] Paese:Gran Bretagna[UK], Stati Uniti d'America[USA]
2	GU05766530	Coperchio	1	
3	AP8220150	Gommino	3	
4	AP8150255	Rosetta 5x20x1,5	3	
5	AP8150509	Vite autof. 5x14	3	
6	GU05764030	Piastra supporto	1	
7	GU98682416	Vite TCEI M8x16	1	
8	GU03270300	Rosetta 8,4x15	1	
9	GU98692313	Vite TCEI M6x12	4	
10	GU05764330	Plancia cruscotto	1	
11	GU05745730	Interruttore Hazard	1	Anno:2005[5], 2006[6]
12	GU05764430	Tappo	2	Specifiche Tecniche:Versione senza ABS[std]
12	GU05764430	Tappo	1	Specifiche Tecniche:Versione con ABS[abs]
13	AP8152339	Vite TBEI flangiata M5x9	2	
14	GU05764530	Piastrina	1	
15	AP8150421	Vite autof. 2,9x12	2	
16	AP8124936	Sensore temperatura aria	1	
17	GU90274002	Rosetta per alberi	2	
18	GU05782530	Blocchetto avviamento-blocc.	1	
19	GU98682430	Vite TCEI M8x30	1	

<b>Gruppo</b>	TELAIO
<b>Codice</b>	33.19
<b>Descrizione</b>	Cruscotto
<b>Revisione</b>	1



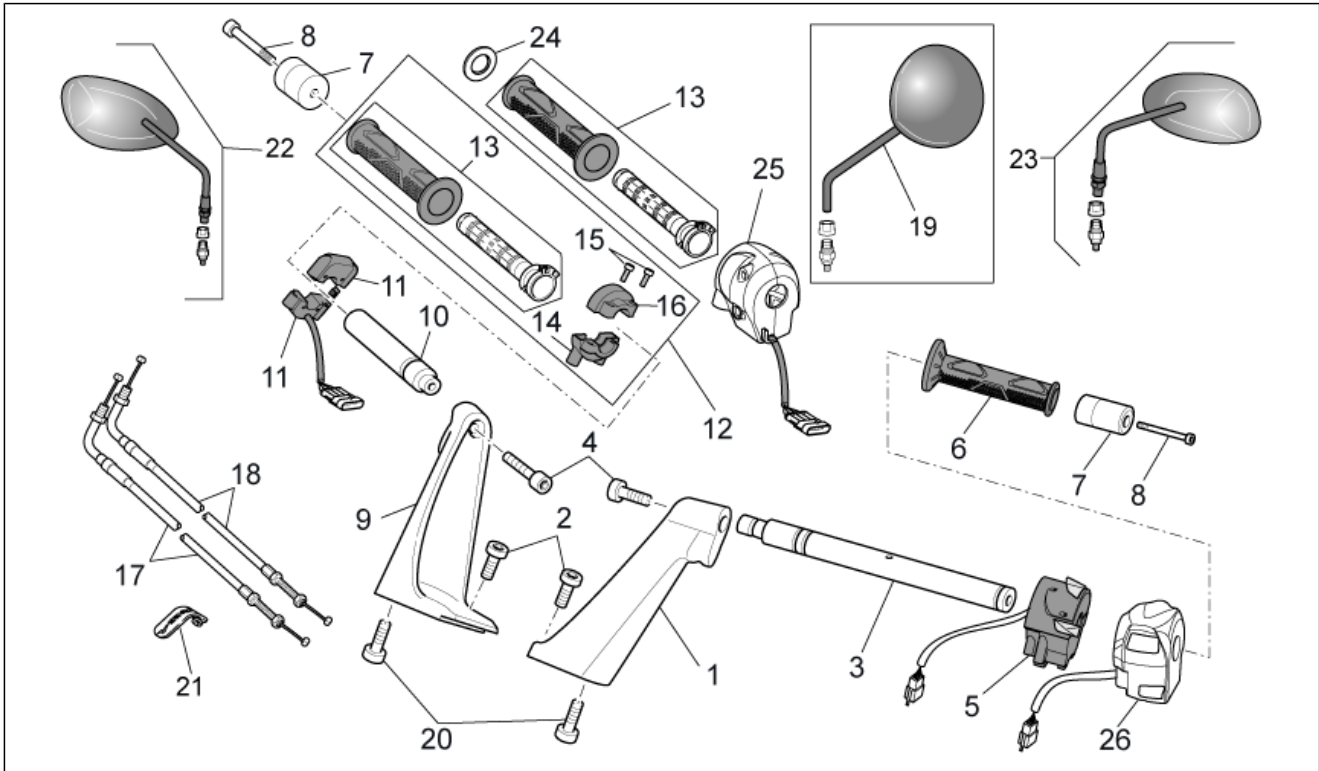
Pos.	Codice	Descrizione	Q.ta	Varianti
20	AP8152238	Vite a strappo M8x28	1	
21	AP8152334	Vite TBEI flangiata M3x12	4	
22	AP8124985	Sensore tachimetro cpl.	1	<b>Specifiche Tecniche:</b> Versione senza ABS[std]
23	AP8152278	Vite TE flangiata M6x16	1	<b>Specifiche Tecniche:</b> Versione senza ABS[std]
24	GU92630206	Dado M6x1	2	
25	GU49609601	Fascetta 2,4x92	2	<b>Specifiche Tecniche:</b> Versione senza ABS[std]
26	GU05767830	Paratia	1	
27	GU05780430	Interruttore ABS	1	<b>Specifiche Tecniche:</b> Versione con ABS[abs]
28	981087	Antenna immobilizer	1	

<b>Gruppo</b>	TELAIO
<b>Codice</b>	33.20
<b>Descrizione</b>	Manubrio - Comandi
<b>Revisione</b>	1



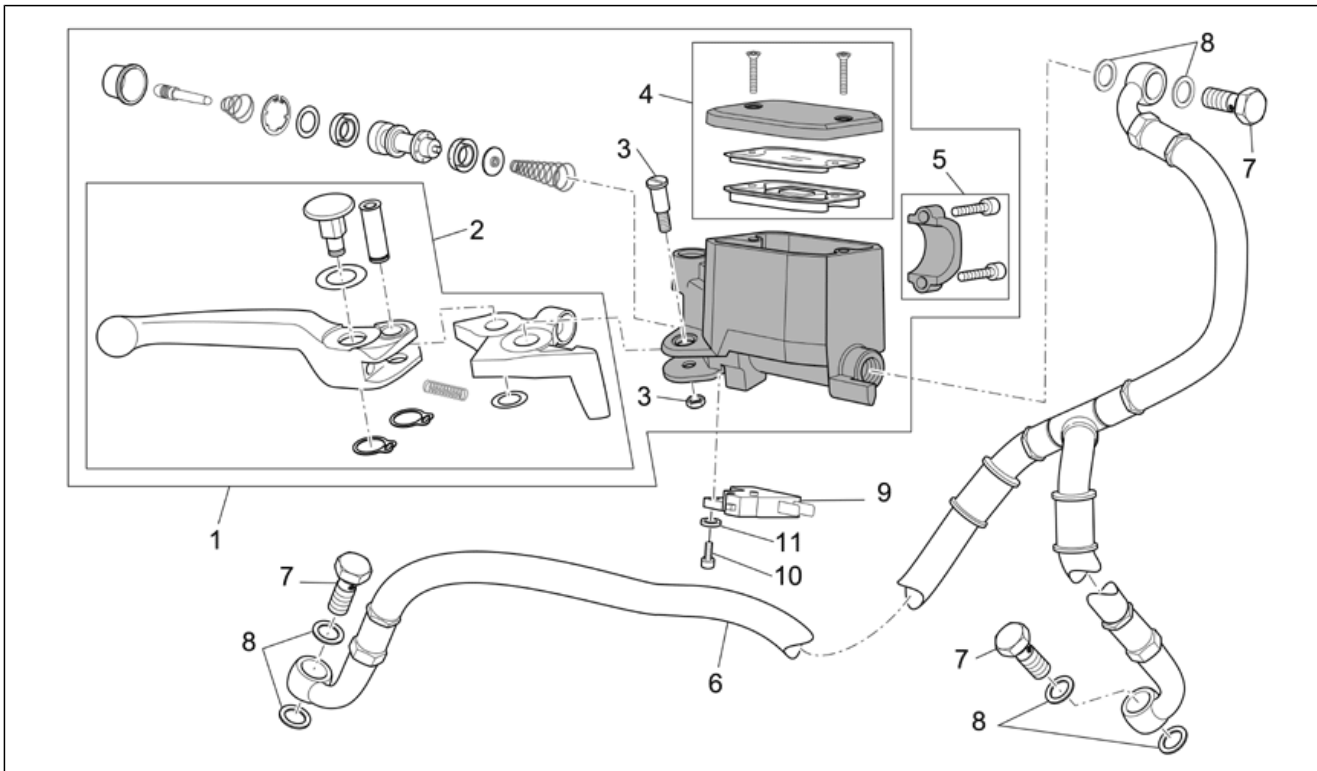
Pos.	Codice	Descrizione	Q.ta	Varianti
1	GU05600730	Semimanubrio SX	1	
2	GU98692425	Vite TCEI M8x25	4	
3	GU05600930	Tubo manubrio sx	1	
4	GU98692430	Vite TCEI M8x30	2	
5	GU05738030	Devioluci sx	1	
6	AP8706527	Manopola sx riscaldata	1	
7	AP8104572	Peso antivibrante v.nero	2	
8	GU98680360	Vite TCEI M6x60	2	
9	GU05600630	Semimanubrio DX	1	
10	GU05600230	Tubo manubrio dx	1	
11	B045021	Devioluci dx	1	Anno:2005[5], 2006[6]
12	GU05603331	Comando gas cpl.	1	Anno:2005[5], 2006[6]
13	GU01603480	Manopola dx	1	
14	AP8118502	Cavallotto ant.comando gas	1	Anno:2005[5], 2006[6]
15	AP8118492	Vite cappello	2	Anno:2005[5], 2006[6]
16	AP8118503	Cavallotto post.comando gas	1	Anno:2005[5], 2006[6]
17	978314	Cavo apertura gas	1	Anno:2007[7]
17	GU05117530	Cavo apertura gas	1	Anno:2005[5], 2006[6]
18	978315	Cavo chiusura gas	1	Anno:2007[7]
18	GU05117830	Cavo chiusura gas	1	Anno:2005[5], 2006[6]
19	AP8104566	Specchio retrovisore	2	Specifiche Tecniche:Prima serie[1A]
20	GU98692425	Vite TCEI M8x25	2	
21	GU01609630	Fascetta L46 mm	2	
21	GU03609600	Fascetta L36 mm	4	
22	883802	Specchio retrovisore dx/sx	1	Specifiche Tecniche:marcato "FU E11 81R-001047"[4A]
22	GU32769460	Specchio retrovisore DX	1	Specifiche Tecniche:Seconda serie[2A]
23	883802	Specchio retrovisore dx/sx	1	Specifiche Tecniche:marcato "FU E11 81R-001047"[4A]
23	GU32769860	Specchio retrovisore SX	1	Specifiche Tecniche:Seconda serie[2A]

<b>Gruppo</b>	TELAIO
<b>Codice</b>	33.20
<b>Descrizione</b>	Manubrio - Comandi
<b>Revisione</b>	1



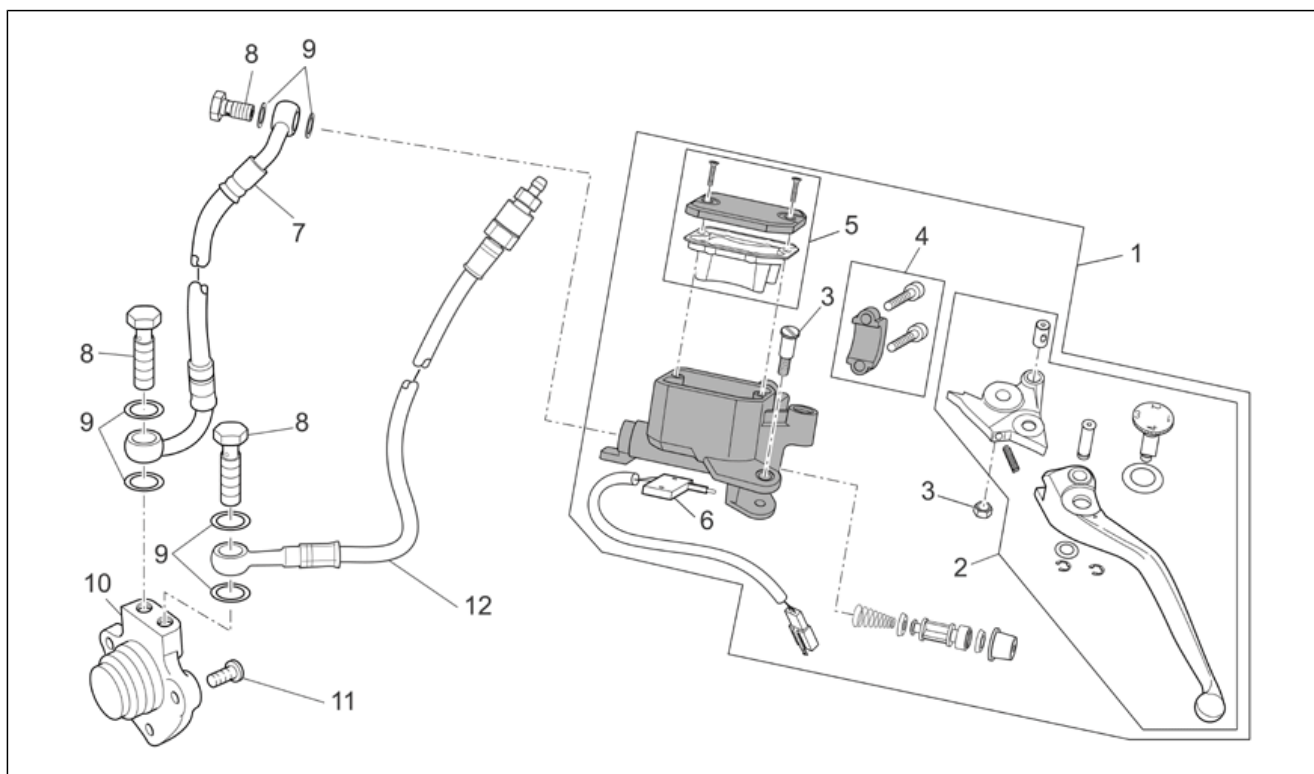
Pos.	Codice	Descrizione	Q.ta	Varianti
24	977679	Rosetta in nylon	1	Anno:2007[7]
25	977780	Devioluci dx	1	Anno:2007[7] Specifiche Tecniche:Seconda serie[2A], Bollino giallo all'interno[YL]
25	AP8127648	Devioluci dx	1	Anno:2007[7] Specifiche Tecniche:Prima serie[1A]
26	977522	Devioluci sx	1	Anno:2007[7]

<b>Gruppo</b>	TELAIO
<b>Codice</b>	33.21
<b>Descrizione</b>	Pompa freno ant.
<b>Revisione</b>	1



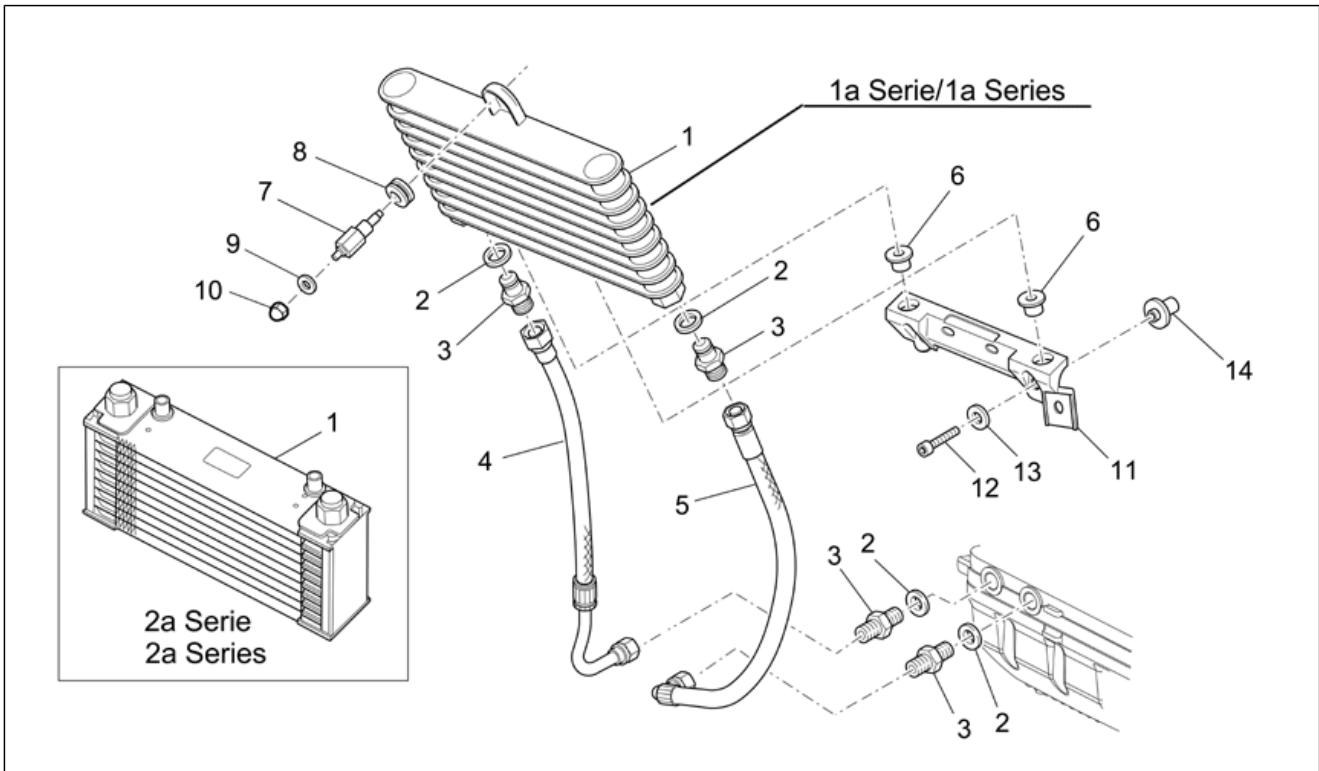
Pos.	Codice	Descrizione	Q.ta	Varianti
1	978606	Pompa freno ant.	1	<b>Specifiche Tecniche:</b> Seconda serie[2A], Ghiera regolazione leva color argento[SL]
1	GU05660130	Pompa freno ant.	1	<b>Specifiche Tecniche:</b> Prima serie[1A], Ghiera regolazione leva color oro[GL]
2	981050	Leva freno ant.	1	<b>Specifiche Tecniche:</b> Prima serie[1A], Ghiera regolazione leva color oro[GL]
2	AP8133510	Leva freno ant.	1	<b>Specifiche Tecniche:</b> Seconda serie[2A], Ghiera regolazione leva color argento[SL]
3	AP8113995	Perno leva	1	
4	GU05661130	Tappo serbatoio	1	
5	AP8113993	Cavallotto	1	
6	GU05658830	Tubo freno ant.	1	<b>Specifiche Tecniche:</b> Versione senza ABS[std]
7	AP8133594	Vite tubo olio	3	
8	GU25656100	Guarnizione in alluminio	6	
9	GU03749845	Interruttore stop	1	
10	GU98370412	Vite TBEI M4x12	1	
11	GU95021104	Rosetta 4,3x8x1,5	1	

<b>Gruppo</b>	TELAIO
<b>Codice</b>	33.22
<b>Descrizione</b>	Comando frizione cpl.
<b>Revisione</b>	1



Pos.	Codice	Descrizione	Q.ta	Varianti
1	978607	Pompa frizione	1	<b>Specifiche Tecniche:</b> Seconda serie[2A], Ghiera regolazione leva color argento[SL]
1	AP8106713	Pompa frizione	1	<b>Specifiche Tecniche:</b> Prima serie[1A], Ghiera regolazione leva color oro[GL]
2	981046	Leva frizione	1	<b>Specifiche Tecniche:</b> Seconda serie[2A], Ghiera regolazione leva color argento[SL]
2	AP8118659	Leva frizione	1	<b>Specifiche Tecniche:</b> Prima serie[1A], Ghiera regolazione leva color oro[GL]
3	GU03604845	Perno leva	1	
4	AP8113993	Cavallotto	1	
5	AP8113997	Tappo serbatoio	1	
6	AP8113998	Microinterruttore	1	
7	GU05606530	Tubo frizione	1	
8	AP8133594	Vite tubo olio	3	
9	AP8121915	Guarnizione	6	
10	GU05086330	Cilindro comando frizione	1	
11	AP8152278	Vite TE flangiata M6x16	3	
12	GU05606630	Tubo spurgo frizione	1	

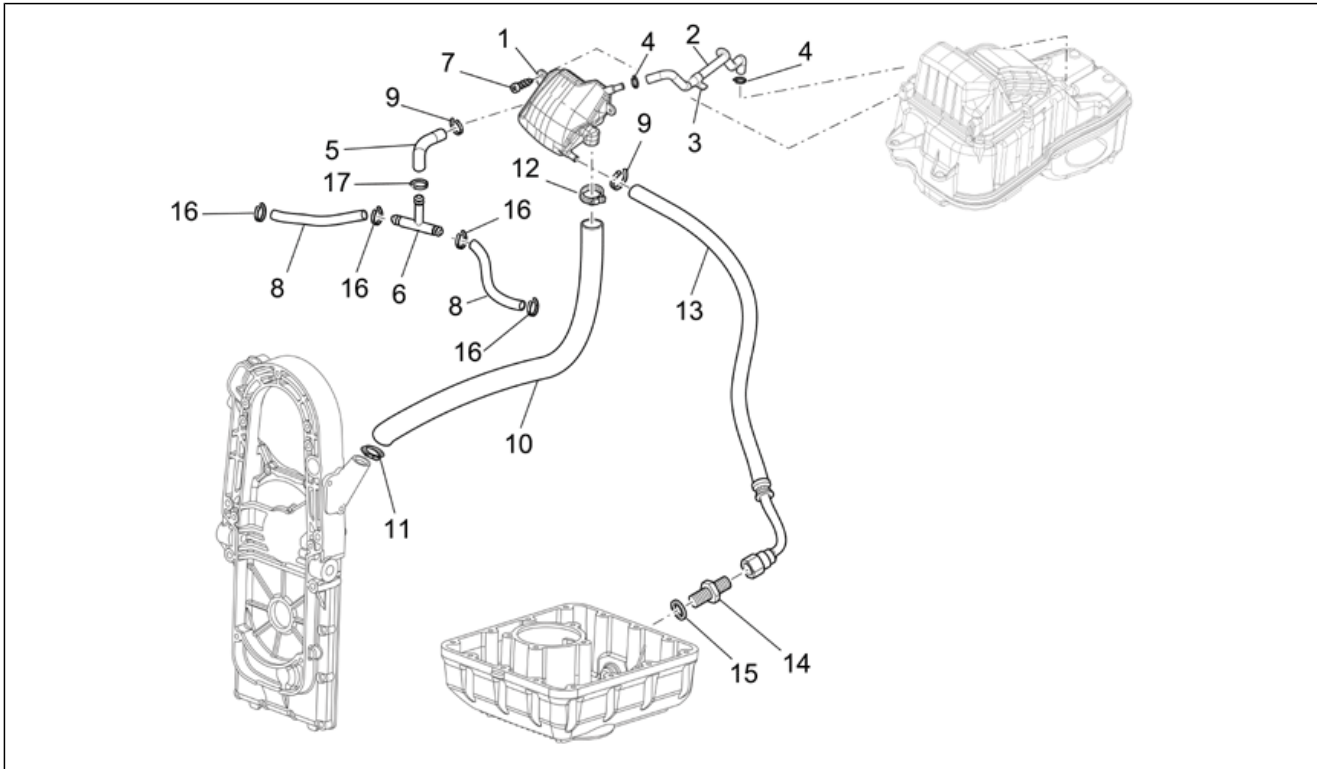
<b>Gruppo</b>	TELAIO
<b>Codice</b>	33.23
<b>Descrizione</b>	Radiatore olio
<b>Revisione</b>	1



Pos.	Codice	Descrizione	Q.ta	Varianti
1	GU05162030	Radiatore olio cpl.	1	<b>Specifiche Tecniche:</b> Prima serie[1A], Ordinare 05162031[O1]
1	GU05162031	Radiatore olio cpl.	1	<b>Specifiche Tecniche:</b> Seconda serie[2A]
2	GU01154230	Guarnizione in alluminio	4	
3	GU01161331	Riduzione	4	
4	GU05162331	Tubo dx	1	
5	GU05161631	Tubo sx	1	
6	AP8101372	Silent-block	2	
7	GU05164630	Vite speciale	1	
8	GU91551010	Gommino	1	
9	GU95005304	Rosetta 5,2x18x1,5	1	
10	GU92787205	Dado cieco	1	
11	GU05164230	Staffa	1	
12	GU98680340	Vite TCEI M6x40	2	
13	GU95005306	Rosetta 6,4x13x1,5	2	
14	GU91120622	Boccola 6,2x11x22,5	2	

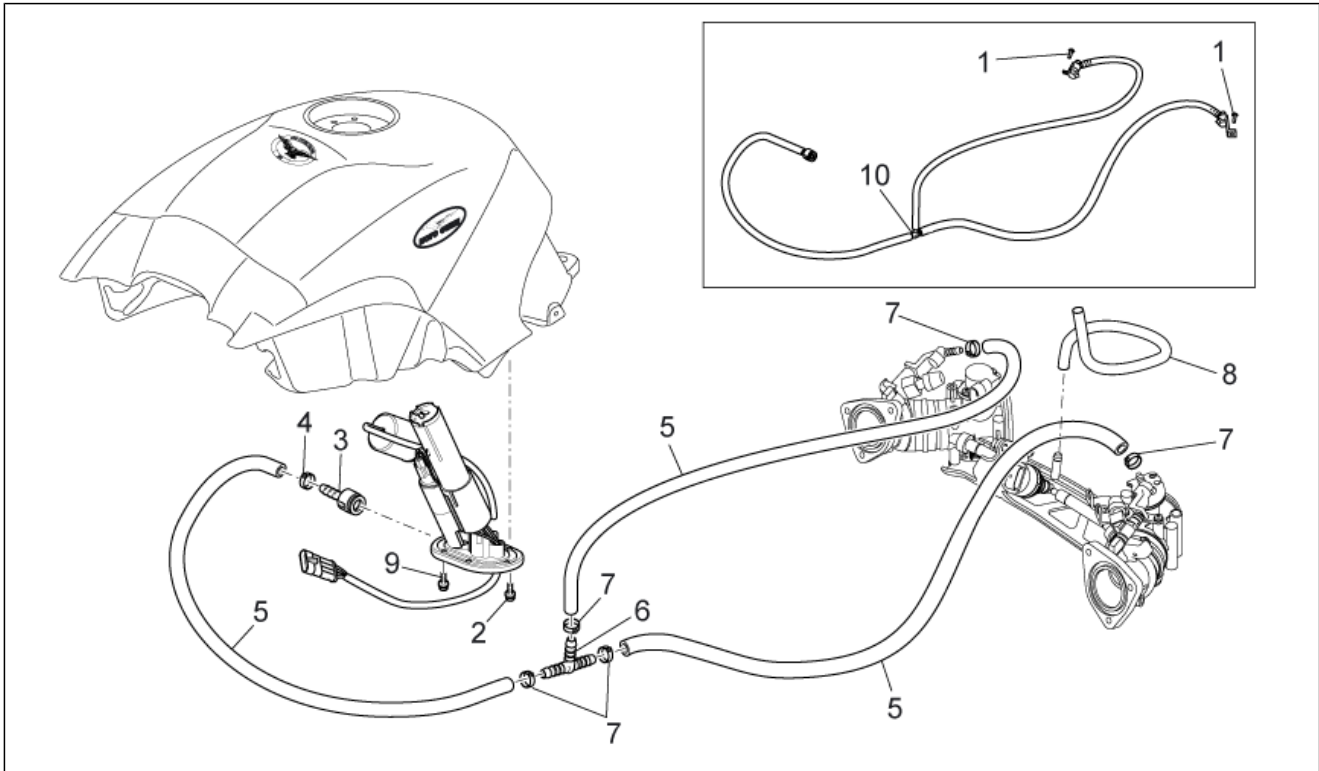


<b>Gruppo</b>	TELAIO
<b>Codice</b>	33.24
<b>Descrizione</b>	Impianto Blow-by
<b>Revisione</b>	1



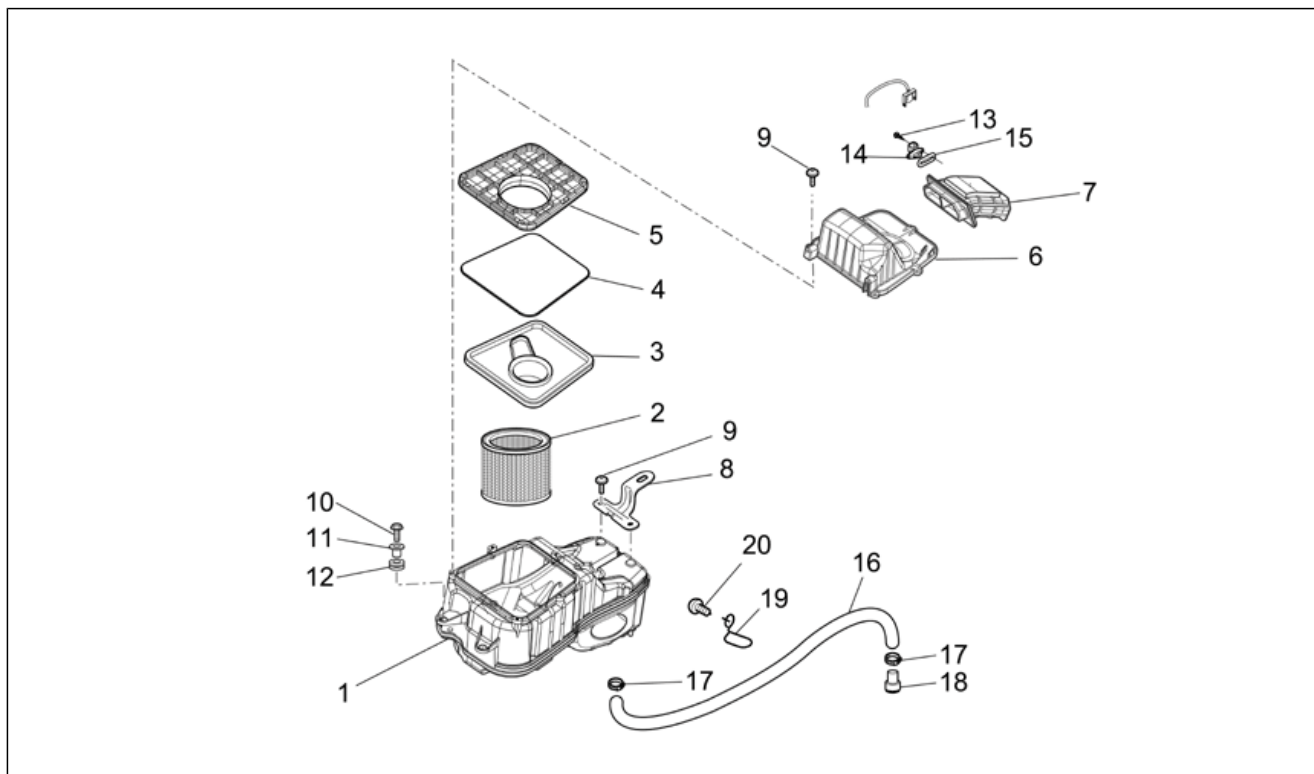
Pos.	Codice	Descrizione	Q.ta	Varianti
1	GU05153430	Scatola espansione	1	
2	GU05157430	Tubo sfiato	1	
3	AP8102151	Fascetta nera D12*	1	
4	AP8102520	Fascetta stringitubo	2	
5	GU05159630	Tubo sfiato	1	
6	GU95960609	Raccordo a tre vie	1	
7	AP8150509	Vite autof. 5x14	2	
8	GU00823955080	Tubo sfiato	2	
9	AP8101586	Fascetta clic D.15,5x6,6	2	
10	GU05157630	Tubo sfiato	1	
11	AP8101588	Fascetta clic D.24,5x8,6	1	
12	GU93306018	Fascetta 17X29X8	1	
13	GU05159330	Tubo riciclo	1	
14	GU01161331	Riduzione	1	
15	GU01154230	Guarnizione in alluminio	1	
16	AP8201358	Fascetta D 11,9	4	
17	AP8102765	Fascetta clic bianca D.13,5x6	1	

<b>Gruppo</b>	TELAIO
<b>Codice</b>	33.25
<b>Descrizione</b>	Alimentazione
<b>Revisione</b>	1



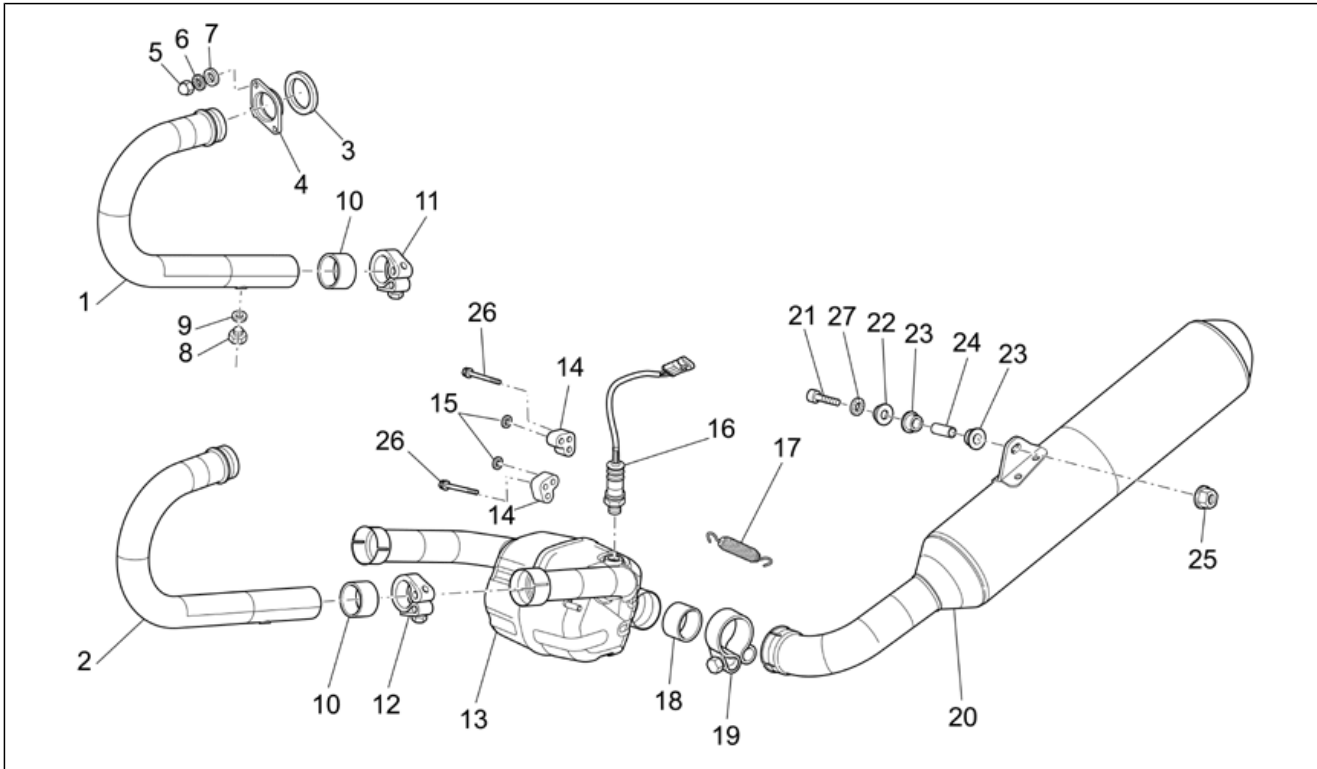
Pos.	Codice	Descrizione	Q.ta	Varianti
1	AP8152298	Vite TBEI flangiata M5x16	2	
2	AP8152273	Vite flangiata M5x16	4	
3	GU01106692	Raccordo	1	<b>Specifiche Tecniche:</b> Prima serie[1A]
4	AP8102764	Fascetta clic bianca d.13x6	1	<b>Specifiche Tecniche:</b> Prima serie[1A]
5	AP8144069	Tubo benz. 6x13	3	<b>Specifiche Tecniche:</b> Prima serie[1A]
6	AP8120116	Raccordo a tre vie	1	<b>Specifiche Tecniche:</b> Prima serie[1A]
7	AP8102239	Fascetta 12,5x8	5	<b>Specifiche Tecniche:</b> Prima serie[1A]
8	GU05135930	Tubo	1	
9	AP8152274	Vite TE flangiata M5x20	2	
10	977149	Tubo benz.cpl	1	<b>Specifiche Tecniche:</b> Seconda serie[2A]

<b>Gruppo</b>	TELAIO
<b>Codice</b>	33.26
<b>Descrizione</b>	Cassa filtro
<b>Revisione</b>	1



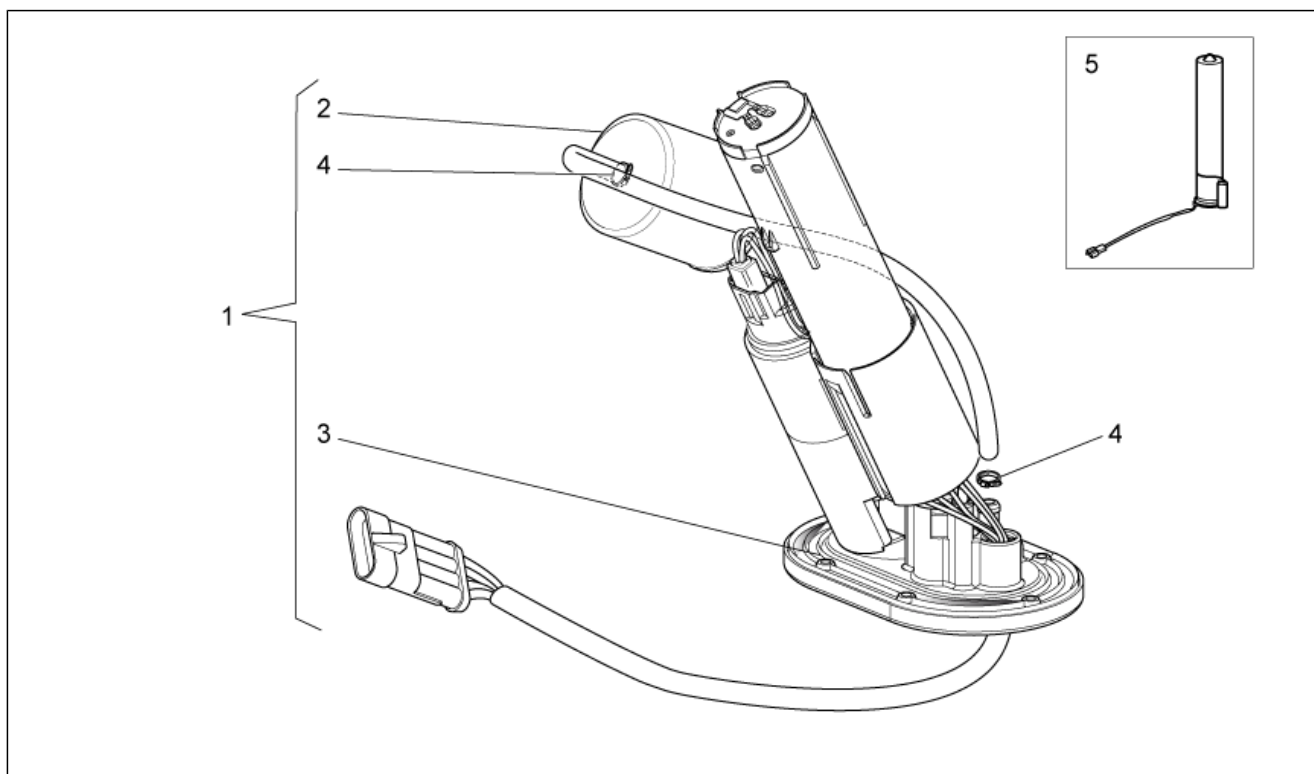
Pos.	Codice	Descrizione	Q.ta	Varianti
1	GU05114031	Cassa filtro	1	
2	AP8104211	Filtro aria	1	
3	GU05113730	Paratia	1	
4	AP8120615	Guarnizione D3	1	
5	GU05103830	Spugna adesiva	1	
6	GU05113530	Coperchio	1	
7	AP8144164	Manicotto di aspirazione	1	
8	GU05114130	Supporto cassa filtro	1	
9	AP8152329	Vite SWP t.croce flang. M5x20	7	
10	AP8152279	Vite te flang. M6x20	2	
11	AP8221023	Bussola a 'T'	2	
12	AP8120030	Gommino	2	
13	AP8150421	Vite autof. 2,9x12	2	
14	GU30729330	Sensore temperatura aria	1	
15	GU30027931	Guarnizione	1	
16	AP8144038	Tubo benz. 6x10	1	
17	AP8101595	Fascetta D10,1	2	
18	AP8120876	Tappo di chiusura	1	
19	AP8120428	Guidacavo	1	
20	AP8152278	Vite TE flangiata M6x16	1	

<b>Gruppo</b>	TELAIO
<b>Codice</b>	33.27
<b>Descrizione</b>	Gruppo scarico
<b>Revisione</b>	1



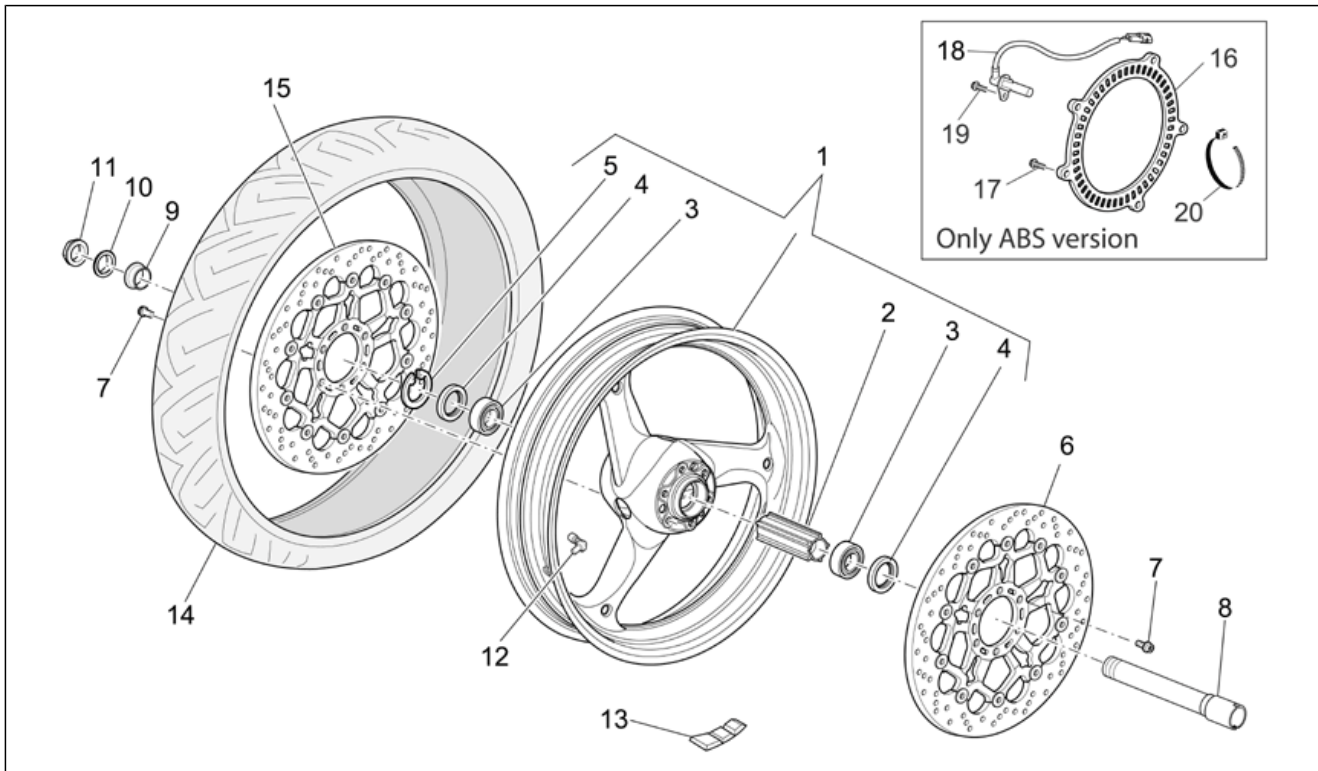
Pos.	Codice	Descrizione	Q.ta	Varianti
1	GU05120930	Tubo scarico dx	1	
2	GU05120931	Tubo scarico sx	1	
3	GU90718370	Guarnizione	2	
4	GU01121030	Flangia	2	
5	GU92787008	Dado cieco M8x1,25	4	
6	GU14615901	Rosetta 8,4X13X0,8	4	
7	GU95005308	Rosetta 8,4x14,57x1,6	4	
8	GU98110007	Tappo	2	
9	GU30109330	Guarnizione	2	
10	GU05121630	Guarnizione	2	
11	976522	Fascetta dx	1	
12	976523	Fascetta sx	1	
13	GU05123930	Camera espansione	1	
14	GU05124230	Gommino	2	
15	GU90274008	Rosetta per alberi D8	4	
16	GU32727010	Sonda lambda	1	
17	AP8121170	Molla	1	
18	GU05128230	Guarnizione	1	
19	976521	Fascetta	1	
20	GU05122930	Silenziatore	1	
21	GU98680445	Vite TCEI	1	
22	AP8134378	Bussola fissaggio silenziatore	1	
23	AP8144071	Gommino marmitta	2	
24	883079	Distanziale	1	
25	GU92650138	Dado M8x1,25	1	
26	GU05124330	Vite	2	
27	GU95005312	Rosetta 8,5x24x2	1	

<b>Gruppo</b>	TELAIO
<b>Codice</b>	33.28
<b>Descrizione</b>	Pompa benzina interna
<b>Revisione</b>	1



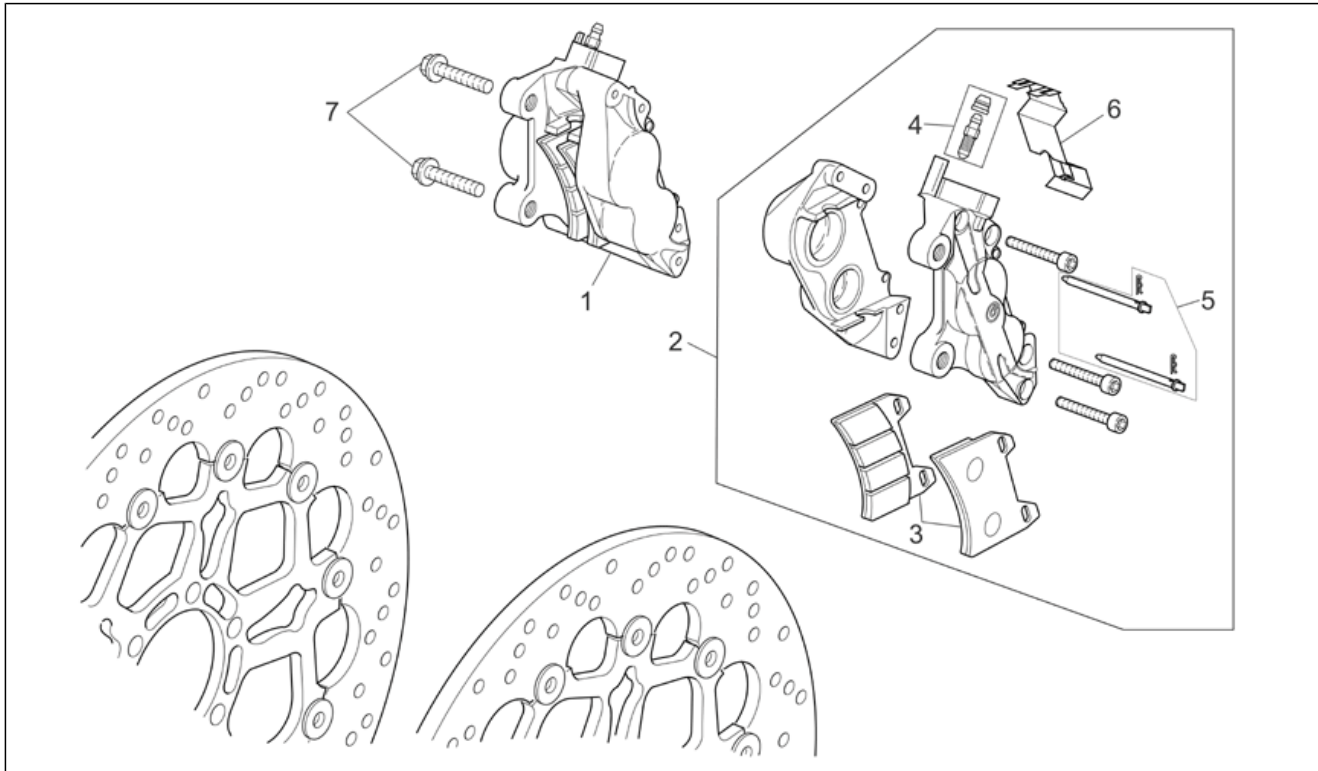
Pos.	Codice	Descrizione	Q.ta	Varianti
1	887422	Pompa carburante	1	
1	978825	Pompa benz.cpl.	1	<b>Paese:</b> Canada[CA], Stati Uniti d'America[USA] <b>Specifiche Tecniche:</b> Pompa benz. cod. su flangia 978825[P2]
1	GU05107230	Pompa benz.cpl.	1	<b>Specifiche Tecniche:</b> Pompa benz. cod. su flangia 05107230 - Nur wenn auf Flansch 05107230 geschrieben ist. Sonst Pumpe komplett bestellen[P1]
2	GU01106090	Filtro benzina	1	<b>Specifiche Tecniche:</b> Pompa benz. cod. su flangia 05107230 - Nur wenn auf Flansch 05107230 geschrieben ist. Sonst Pumpe komplett bestellen[P1]
3	GU05107430	Guarnizione flangia	1	<b>Specifiche Tecniche:</b> Pompa benz. cod. su flangia 05107230 - Nur wenn auf Flansch 05107230 geschrieben ist. Sonst Pumpe komplett bestellen[P1]
4	GU01108490	Fascetta 11,3	4	<b>Specifiche Tecniche:</b> Pompa benz. cod. su flangia 05107230 - Nur wenn auf Flansch 05107230 geschrieben ist. Sonst Pumpe komplett bestellen[P1]
5	AP8127817	Sensore livello benz.	1	<b>Specifiche Tecniche:</b> Pompa benz. cod. su flangia 05107230 - Nur wenn auf Flansch 05107230 geschrieben ist. Sonst Pumpe komplett bestellen[P1]

<b>Gruppo</b>	TELAIO
<b>Codice</b>	33.29
<b>Descrizione</b>	Ruota anteriore
<b>Revisione</b>	1



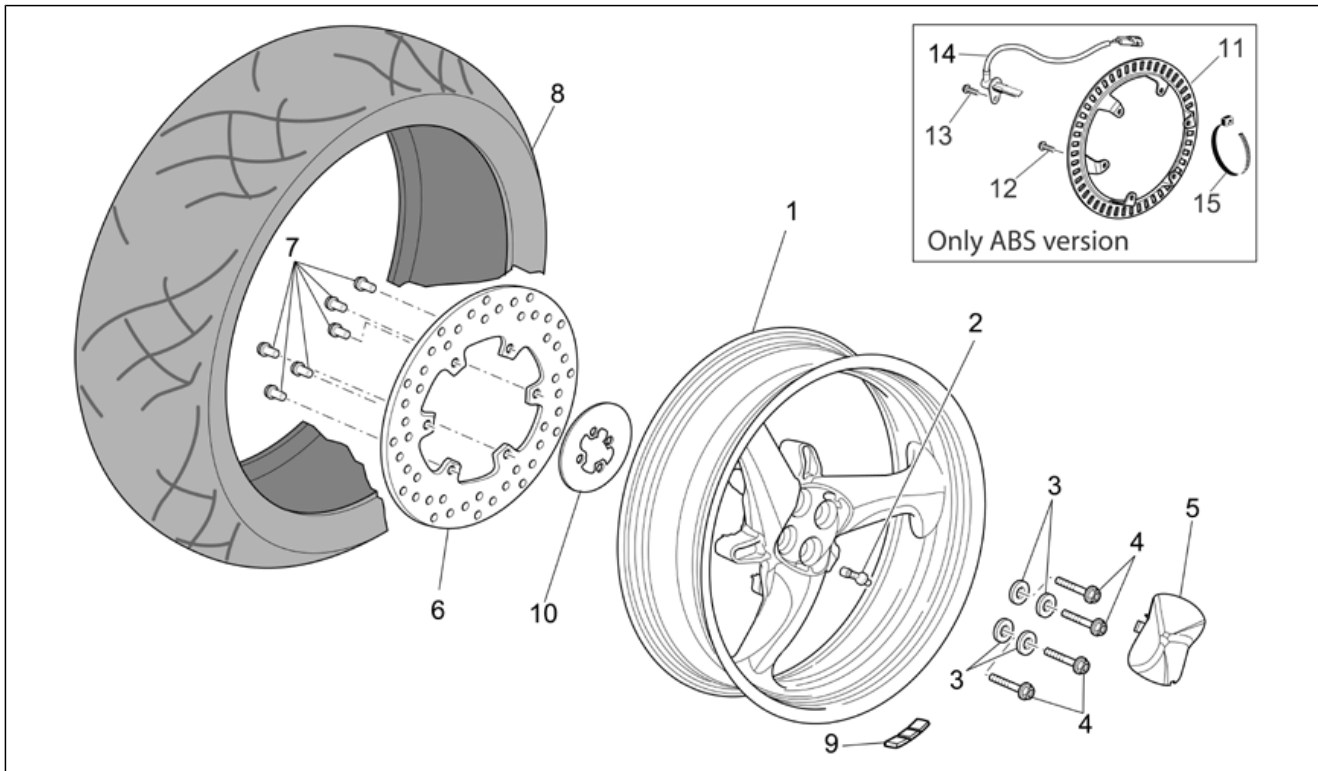
Pos.	Codice	Descrizione	Q.ta	Varianti
1	883883	Ruota ant.nuda grigio scuro 3,5X17"	1	<b>Specifiche Tecniche:</b> Marchiato ZCV[ZCV]
1	GU05610530	Ruota ant.nuda grigio scuro 3,5X17"	1	<b>Specifiche Tecniche:</b> Marchio Brembo[BR]
2	GU05615230	Distanziale cuscinetti	1	
3	AP8125777	Cuscinetto a sfere 25x47x12	2	
4	AP8125773	Anello di tenuta 30x47x7	2	
5	AP8125779	Anello Seeger	1	
6	GU05613330	Disco freno ant.oro 320	1	
7	GU05611430	Vite	12	
8	GU05614130	Perno ruota ant.	1	
9	AP8125791	Distanziale	1	
10	GU95005325	Rosetta 25,2X36X1	1	
11	GU01612190	Dado	1	
12	GU03617710	Valvola tubeless	1	
13	GU14616150	Contrappeso	1	
14	0000000	Copertura	1	
15	GU05613330	Disco freno ant.oro 320	1	<b>Specifiche Tecniche:</b> Versione senza ABS[std]
15	GU05613335	Disco freno ant.oro 320	1	<b>Specifiche Tecniche:</b> Versione con ABS[abs]
16	GU05681430	Ruota fonica	1	<b>Specifiche Tecniche:</b> Versione con ABS[abs]
17	GU98250510	Vite TSPEI	5	<b>Specifiche Tecniche:</b> Versione con ABS[abs]
18	AP8127469	Sensore abs	1	<b>Specifiche Tecniche:</b> Versione con ABS[abs]
19	AP8152278	Vite TE flangiata M6x16	1	<b>Specifiche Tecniche:</b> Versione con ABS[abs]
20	GU49609601	Fascetta 2,4x92	1	<b>Specifiche Tecniche:</b> Versione con ABS[abs]

<b>Gruppo</b>	TELAIO
<b>Codice</b>	33.30
<b>Descrizione</b>	Pinza freno anteriore
<b>Revisione</b>	1



Pos.	Codice	Descrizione	Q.ta	Varianti
1	GU05652330	Pinza freno ant.dx oro	1	
2	GU05652230	Pinza freno ant.sx oro	1	
3	GU01654630	Pastiglie-coppia	2	
4	GU05659230	Spurgo+cappuccio	2	
5	GU01659130	Perni+Molle pinza	2	
6	GU01659131	Molla	2	
7	AP8152385	Vite TCEI M10x1,25	4	

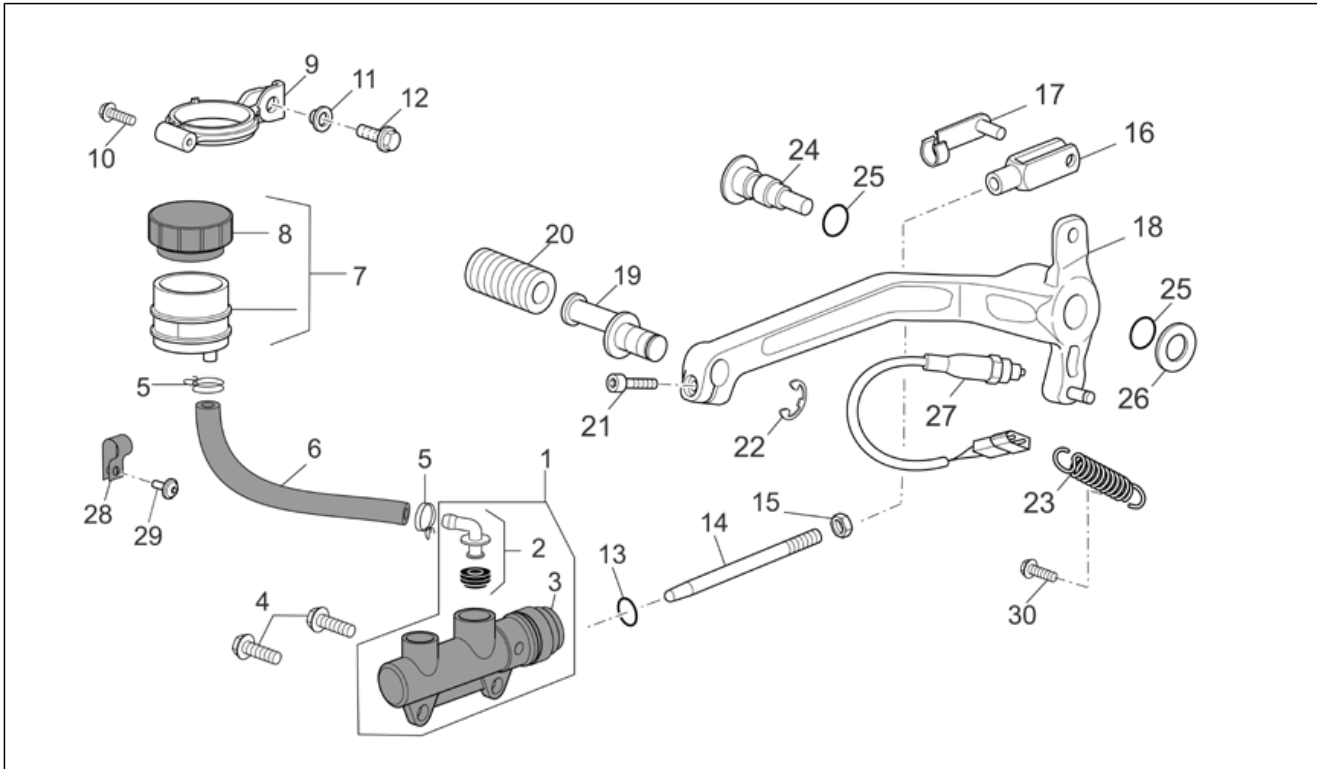
<b>Gruppo</b>	TELAIO
<b>Codice</b>	33.31
<b>Descrizione</b>	Ruota posteriore
<b>Revisione</b>	1



Pos.	Codice	Descrizione	Q.ta	Varianti
1	883886	Ruota post.nuda grigia 5,5X17"	1	<b>Specifiche Tecniche:</b> Versione con ABS[abs], Marchiato ZCV[ZCV]
1	GU05630530	Ruota post.nuda grigia 5,5x17"	1	<b>Specifiche Tecniche:</b> Versione senza ABS[std]
1	GU05630531	Ruota post.nuda grigia 5,5x17"	1	<b>Specifiche Tecniche:</b> Versione con ABS[abs], Marchio Brembo[BR]
2	GU03617710	Valvola tubeless	1	
3	GU05632730	Bussola conica	4	
4	GU97202665	Vite TE flangiata M12x65	4	
5	GU05634430	Coperchio	1	
6	GU05635730	Disco freno post.	1	
7	GU30611460	Vite	6	
8	0000000	Copertura	1	
9	GU14616150	Contrappeso	1	
10	977056	Anello parapolvere	1	<b>Specifiche Tecniche:</b> Dal telaio ZGULP00046M113814[T3]
11	GU05681530	Ruota fonica	1	<b>Specifiche Tecniche:</b> Versione con ABS[abs]
12	AP8152272	Vite te flang. M5x12	6	<b>Specifiche Tecniche:</b> Versione con ABS[abs]
13	AP8152278	Vite TE flangiata M6x16	1	<b>Specifiche Tecniche:</b> Versione con ABS[abs]
14	GU05683730	Sensore	1	<b>Specifiche Tecniche:</b> Versione con ABS[abs]
15	GU49609601	Fascetta 2,4x92	1	<b>Specifiche Tecniche:</b> Versione con ABS[abs]

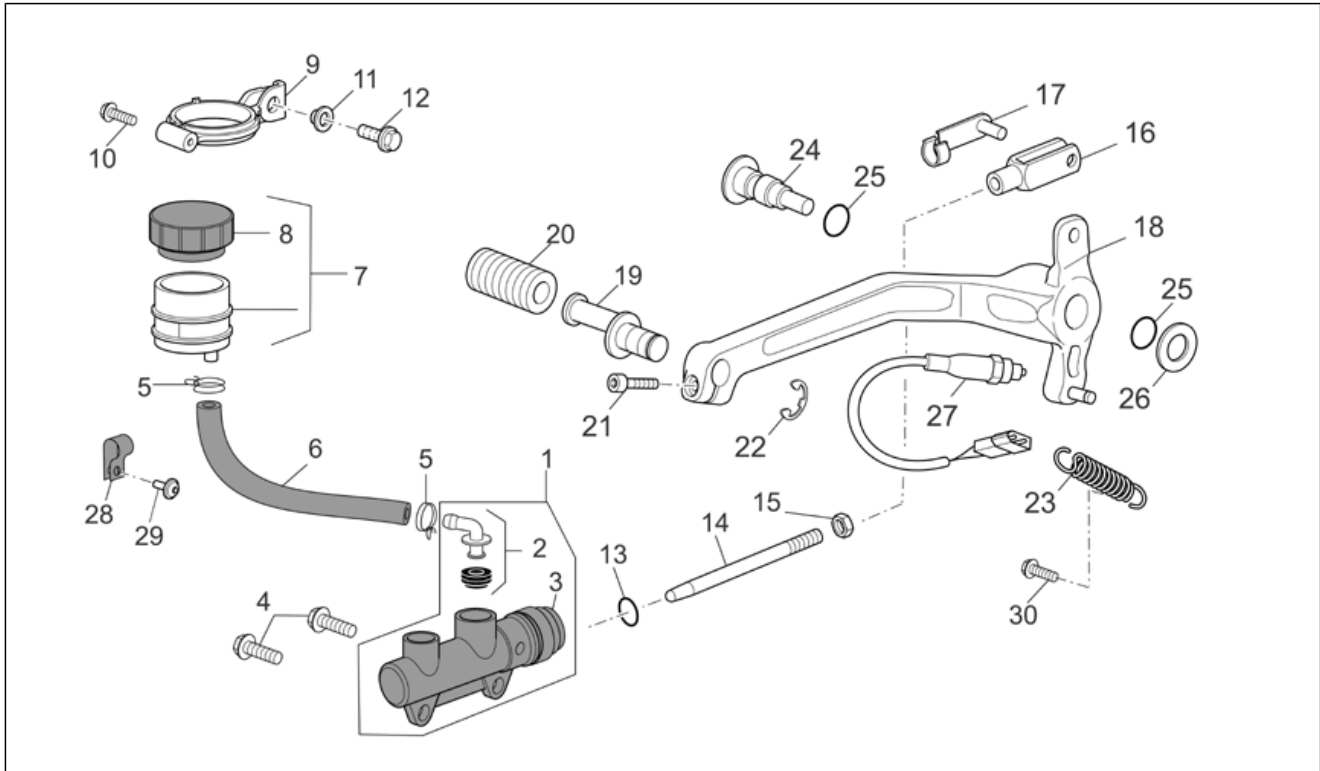


<b>Gruppo</b>	TELAIO
<b>Codice</b>	33.32
<b>Descrizione</b>	Pompa freno post.
<b>Revisione</b>	1



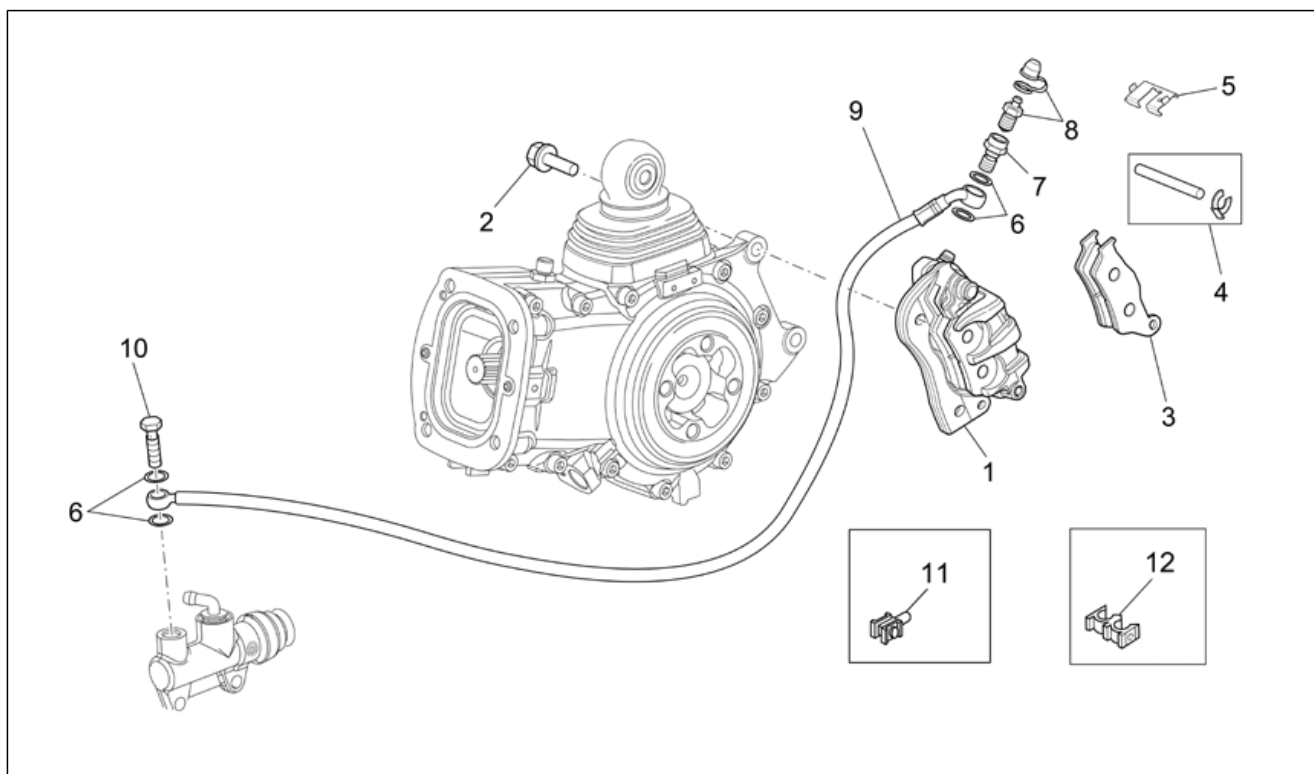
Pos.	Codice	Descrizione	Q.ta	Varianti
1	GU05666930	Pompa freno post.	1	
2	AP8113594	Raccordo pompa post.	1	
3	AP8113288	Soffietto in gomma	1	
4	AP8152279	Vite te flang. M6x20	2	
5	AP8101595	Fascetta D10,1	2	
6	GU00823950050	Tubo olio	1	
7	GU05663530	Serbatoio olio freni cpl.	1	
8	GU17661052	Tappo serbatoio	1	
9	GU05666030	Supporto serbatoio	1	
10	AP8152329	Vite SWP t.croce flang. M5x20	1	
11	AP8221145	Bussola a 'T' *	1	
12	AP8152278	Vite TE flangiata M6x16	1	
13	AP8120178	Anello OR OR112	1	
14	977041	Asta pompa freno	1	
15	GU92606206	Dado	1	
16	AP8101968	Forchetta	1	
17	AP8201301	Clips per forchetta cambio	1	
18	GU05677030	Leva freno post.	1	
19	AP8121221	Piolo leva freno	1	
20	AP8120912	Gommino per leva	1	
21	GU98682316	Vite TCEI M6x16	1	
22	AP8150462	Anello Seeger d9	1	
23	AP8121927	Molla leva freno post.	1	
24	884033	Perno leva freno post.	1	
25	AP8144007	Anello OR 11,11x1,78	2	
26	GU95008310	Rosetta 10,5x22x2,5	1	
27	AP8112996	Interruttore frizione	1	
28	AP8102151	Fascetta nera D12*	1	

<b>Gruppo</b>	TELAIO
<b>Codice</b>	33.32
<b>Descrizione</b>	Pompa freno post.
<b>Revisione</b>	1



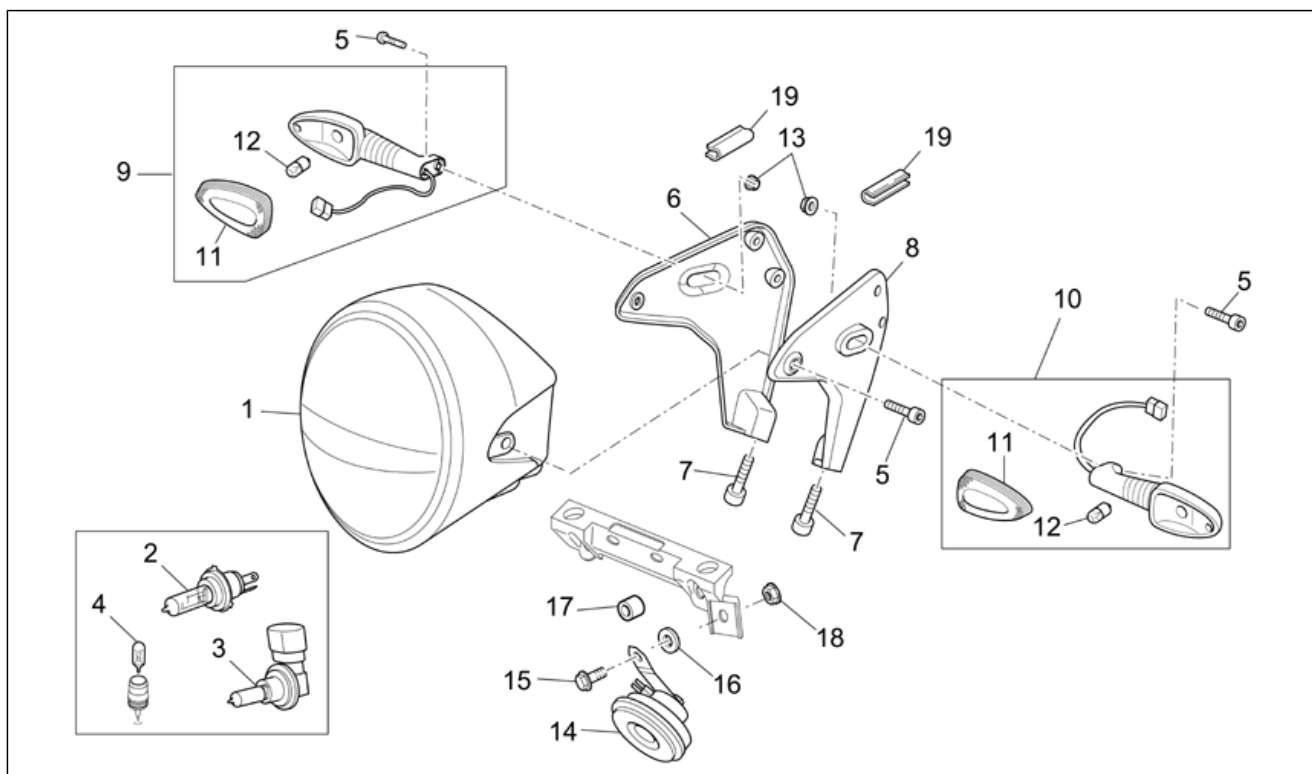
Pos.	Codice	Descrizione	Q.ta	Varianti
29	GU98350210	Vite TBEI	1	
30	AP8152273	Vite flangiata M5x16	1	

<b>Gruppo</b>	TELAIO
<b>Codice</b>	33.33
<b>Descrizione</b>	Pinza freno post.
<b>Revisione</b>	1



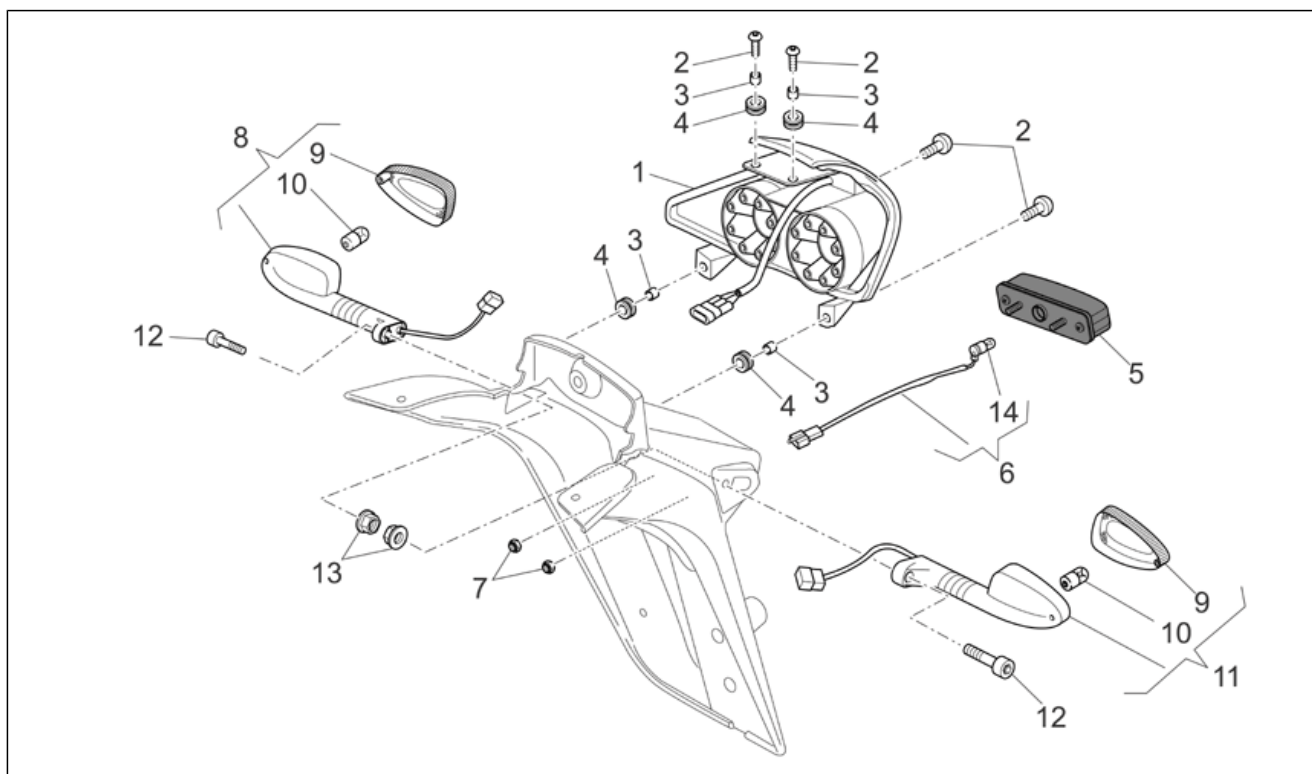
Pos.	Codice	Descrizione	Q.ta	Varianti
1	GU05653030	Pinza freno post.oro	1	
2	AP8152320	Vite TE flangiata	2	
3	GU05654630	Pastiglie-coppia	1	
4	GU05659130	Perno+Copiglia pinza	1	
5	GU05659030	Molla	1	
6	GU25656100	Guarnizione in alluminio	4	
7	AP8133597	Vite	1	
8	AP8213113	Spurgo+cappuccio	1	
9	GU05657530	Tubo freno post.	1	<b>Specifiche Tecniche:</b> Versione senza ABS[std]
10	AP8133594	Vite tubo olio	1	
11	AP8202238	Ancoraggio guidacavo	4	
12	AP8201808	Guidacavo D8	4	<b>Specifiche Tecniche:</b> Versione senza ABS[std]
12	GU05436530	Guidacavo D5	4	<b>Specifiche Tecniche:</b> Versione con ABS[abs]

<b>Gruppo</b>	TELAIO
<b>Codice</b>	33.34
<b>Descrizione</b>	Fanale ant./Claxon
<b>Revisione</b>	1



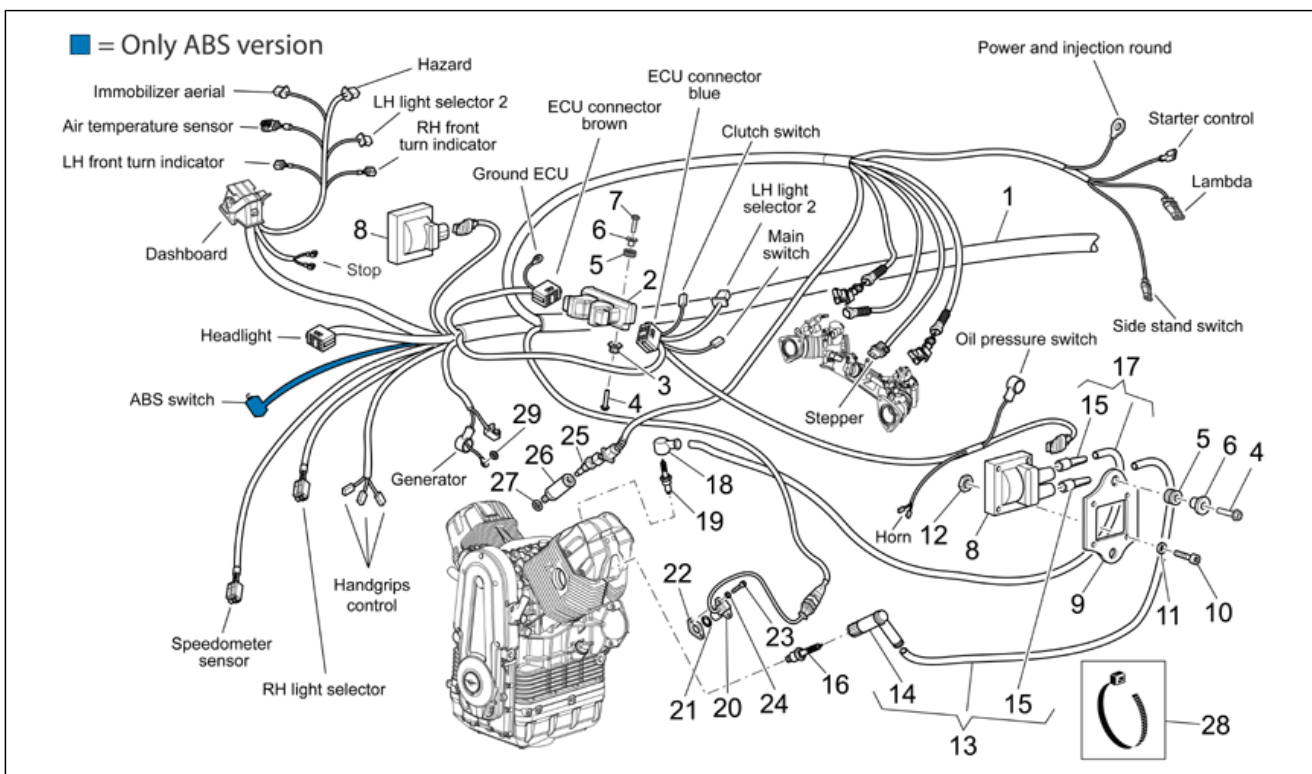
Pos.	Codice	Descrizione	Q.ta	Varianti
1	GU05740530	Fanale ant.	1	<b>Paese:</b> Altri paesi Europa[EU]
1	GU05740531	Fanale ant.c/o guida sx	1	<b>Paese:</b> Australia[AUS], Giappone[J], Gran Bretagna[UK]
1	GU05740532	Fanale ant.	1	<b>Paese:</b> Canada[CA], Stati Uniti d'America[USA]
2	AP8127109	Lampada H7-12V-55W	1	
3	GU93450265	Lampada H9-12V-65W	1	
4	GU93450105	Lampada	1	
5	GU98692318	Vite TCEI	4	
6	GU05578630	Supporto dx	1	
7	GU98682435	Vite TCEI	2	
8	GU05578631	Supporto sx	1	
9	AP8127514	Indicatore dire.ant.dx	1	
10	AP8127515	Indicatore dire.ant.sx	1	
11	AP8127552	Vetro indicatore dire.	2	
12	GU93450126	Lampada arancio	2	
13	GU92630206	Dado M6x1	2	
14	GU05743730	Claxon	1	
15	AP8152285	Vite TE flangiata	1	<b>Specifiche Tecniche:</b> Terza serie[3A]
15	AP8152286	Vite te flang. M8x20	1	<b>Specifiche Tecniche:</b> Seconda serie[2A]
15	AP8152290	Vite TE flangiata M8x40	1	<b>Specifiche Tecniche:</b> Prima serie[1A]
16	GU95100244	Rosetta	1	<b>Specifiche Tecniche:</b> Seconda serie[2A]
17	GU91120822	Distanziale	1	<b>Specifiche Tecniche:</b> Prima serie[1A]
18	AP8152300	Dado autobloc.flang. M8	1	
19	AP8144707	Guarnizione	2	

<b>Gruppo</b>	TELAIO
<b>Codice</b>	33.35
<b>Descrizione</b>	Fanale posteriore
<b>Revisione</b>	1



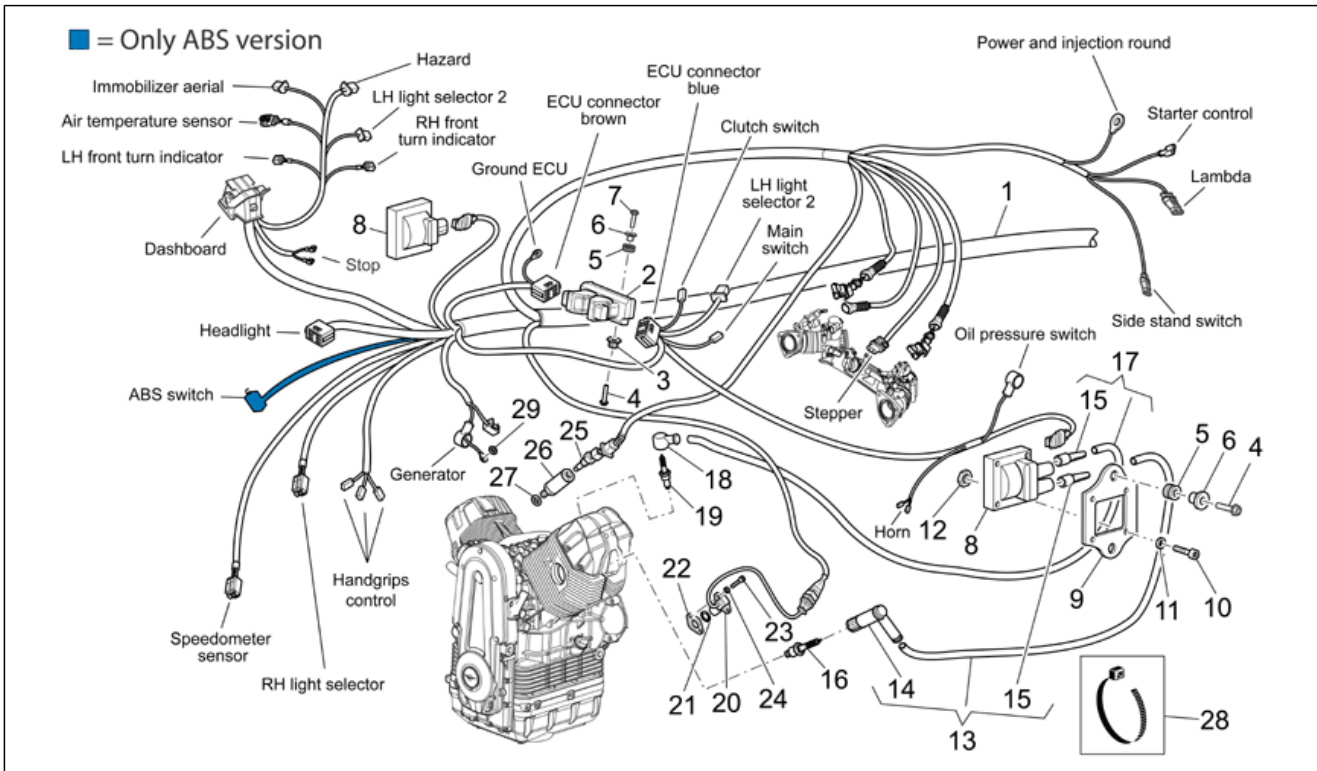
Pos.	Codice	Descrizione	Q.ta	Varianti
1	GU05740930	Fanale post.	1	
2	AP8152298	Vite TBEI flangiata M5x16	4	
3	AP8221036	Boccola 5,3x8x7,1	4	
4	AP8120405	Gommino	4	
5	AP8212702	Fanale targa	1	
6	AP8124976	Cablaggio luce targa	1	
7	AP8152306	Dado autobloc.flang. m5	2	
8	GU05751630	Indicatore dire.post.dx	1	
9	AP8127552	Vetro indicatore dire.	2	
10	GU93450126	Lampada arancio	2	
11	GU05751730	Indicatore dire.post.sx	1	
12	GU98692318	Vite TCEI	2	
13	GU92630206	Dado M6x1	2	
14	GU93450105	Lampada	1	

<b>Gruppo</b>	TELAIO
<b>Codice</b>	33.36
<b>Descrizione</b>	Impianto elettrico I
<b>Revisione</b>	1



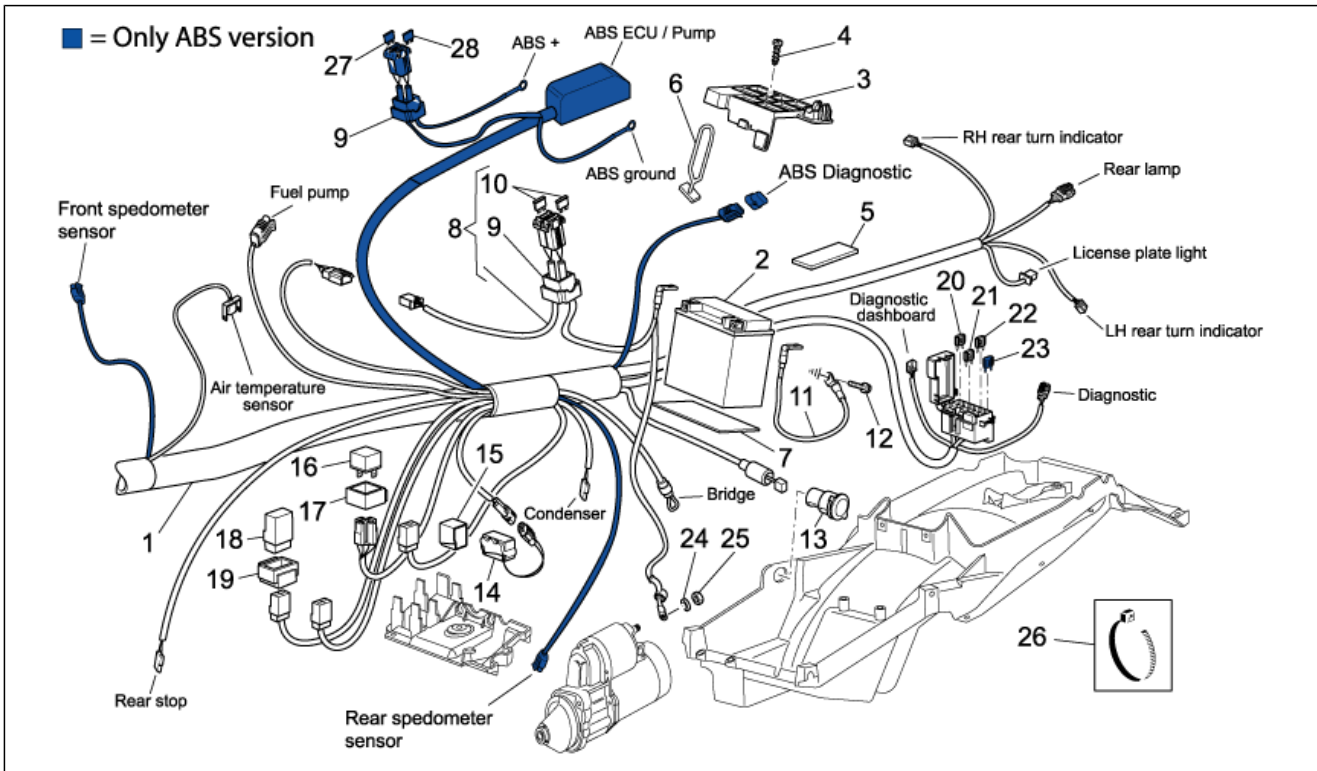
Pos.	Codice	Descrizione	Q.ta	Varianti
1	978223	Cablaggio principale	1	Anno:2007[7] Specifiche Tecniche:Versione senza ABS[std]
1	978244	Cablaggio principale	1	Anno:2007[7] Specifiche Tecniche:Versione con ABS[abs]
1	GU05747130	Cablaggio principale	1	Anno:2005[5], 2006[6] Specifiche Tecniche:Versione senza ABS[std]
1	GU05747131	Cablaggio principale	1	Anno:2005[5], 2006[6] Specifiche Tecniche:Versione con ABS[abs]
2	GU05729530	Centralina	1	Specifiche Tecniche:Versione senza ABS[std]
2	GU05729535	Centralina	1	Specifiche Tecniche:Versione con ABS[abs]
3	GU05729230	Bussola	2	
4	AP8152279	Vite te flang. M6x20	6	
5	AP8120030	Gommino	6	
6	AP8221023	Bussola a 'T'	6	
7	AP8152282	Vite TE flangiata M6x35	2	
8	GU05716530	Bobina A.T.	2	
9	GU05716730	Supporto bobina	2	
10	GU98682125	Vite TCEI	8	
11	GU95008204	Rosetta 4,3x8x0,5	8	
12	GU92630104	Dado M4x0,7	8	
13	GU05718330	Cavo A.T.	2	
14	GU03717450	Pipetta candela	2	
15	GU14717600	Cappuccio	4	
16	GU30717061	Candela NGK BPR6ES	2	
17	GU05718331	Cavo A.T.	2	
18	GU05717430	Pipetta candela	2	
19	GU05717030	Candela NGK PMR8B	2	
20	GU01721600	Sensore di fase	1	
21	GU90706141	Anello OR	1	

<b>Gruppo</b>	TELAIO
<b>Codice</b>	33.36
<b>Descrizione</b>	Impianto elettrico I
<b>Revisione</b>	1



Pos.	Codice	Descrizione	Q.ta	Varianti
22	GU01722700	Guarnizione 0,3mm	1	
22	GU01722701	Guarnizione 0,4 mm	1	
22	GU01722702	Guarnizione 0,6mm	1	
22	GU01722703	Guarnizione	1	
22	GU01722704	Guarnizione 1mm	1	
22	GU01722705	Guarnizione 1,5mm	1	
22	GU29722760	Guarnizione 0,5 mm	1	
23	GU98682212	Vite TCEI M5x12	2	
24	GU95008205	Rosetta 5,3x10x0,8	2	
25	GU29729461	Sensore temperatura olio	1	
26	GU03163330	Supporto sensore	1	
27	GU95008210	Rosetta 10,2X18X2	1	
28	GU14609650	Fascetta 3,6x20,6	23	
28	GU30609600	Fascetta 8,8x185	1	
28	GU93304360	Fascetta 7,6x380	2	
29	AP8152299	Dado autobloc.flang. M6	1	

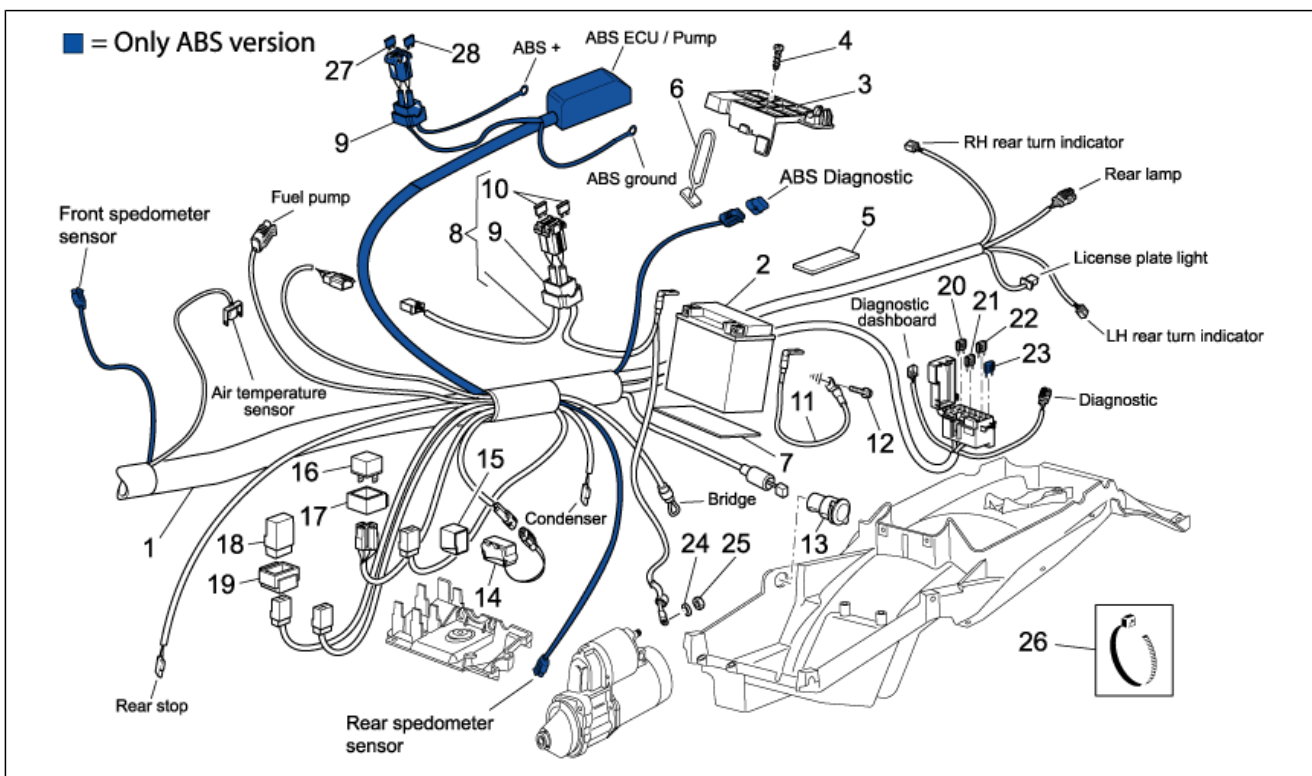
<b>Gruppo</b>	TELAIO
<b>Codice</b>	33.37
<b>Descrizione</b>	Impianto elettrico II
<b>Revisione</b>	1



Pos.	Codice	Descrizione	Q.ta	Varianti
1	978223	Cablaggio principale	1	Anno:2007[7] Specifiche Tecniche:Versione senza ABS[std]
1	978244	Cablaggio principale	1	Anno:2007[7] Specifiche Tecniche:Versione con ABS[abs]
1	GU05747130	Cablaggio principale	1	Anno:2005[5], 2006[6] Specifiche Tecniche:Versione senza ABS[std]
1	GU05747131	Cablaggio principale	1	Anno:2005[5], 2006[6] Specifiche Tecniche:Versione con ABS[abs]
2	883818	Batteria	1	Specifiche Tecniche:Veicoli con batteria YT20-BS[B]
2	GU05704531	Batteria 12V-20Ah	1	Specifiche Tecniche:Veicoli con batteria YTX20CH-BS[A]
3	883819	Coperchio batteria	1	Specifiche Tecniche:Veicoli con batteria YT20-BS[B]
3	GU05704630	Coperchio batteria	1	Specifiche Tecniche:Veicoli con batteria YTX20CH-BS[A]
4	AP8152329	Vite SWP t.croce flang. M5x20	2	
5	AP8117200	Spugna adesiva	1	
6	AP8120177	Elastico portafanale	2	
7	AP8144553	Gomma	2	
8	GU05747830	Cablaggio	1	
9	AP8112811	Gommino portafusibili	1	Specifiche Tecniche:Versione senza ABS[std]
9	AP8112811	Gommino portafusibili	2	Specifiche Tecniche:Versione con ABS[abs]
10	GU28742562	Fusibile 30A	3	
11	978505	Cablaggio massa-batteria	1	Specifiche Tecniche:Veicoli con batteria YT20-BS[B]
11	GU05747930	Cablaggio massa-batteria	1	Specifiche Tecniche:Veicoli con batteria YTX20CH-BS[A]
12	AP8152277	Vite TE flangiata M6x12	1	
13	AP8124768	Presca di corrente cpl.	1	
14	AP8124266	Sensore inclinazione	1	
15	AP8144046	Gommino supporto sensore	1	
16	AP8124869	Rele' iniezione	1	
17	AP8220546	Gommino supporto rele'	1	
18	AP8224462	Rele' 12V/30A	3	

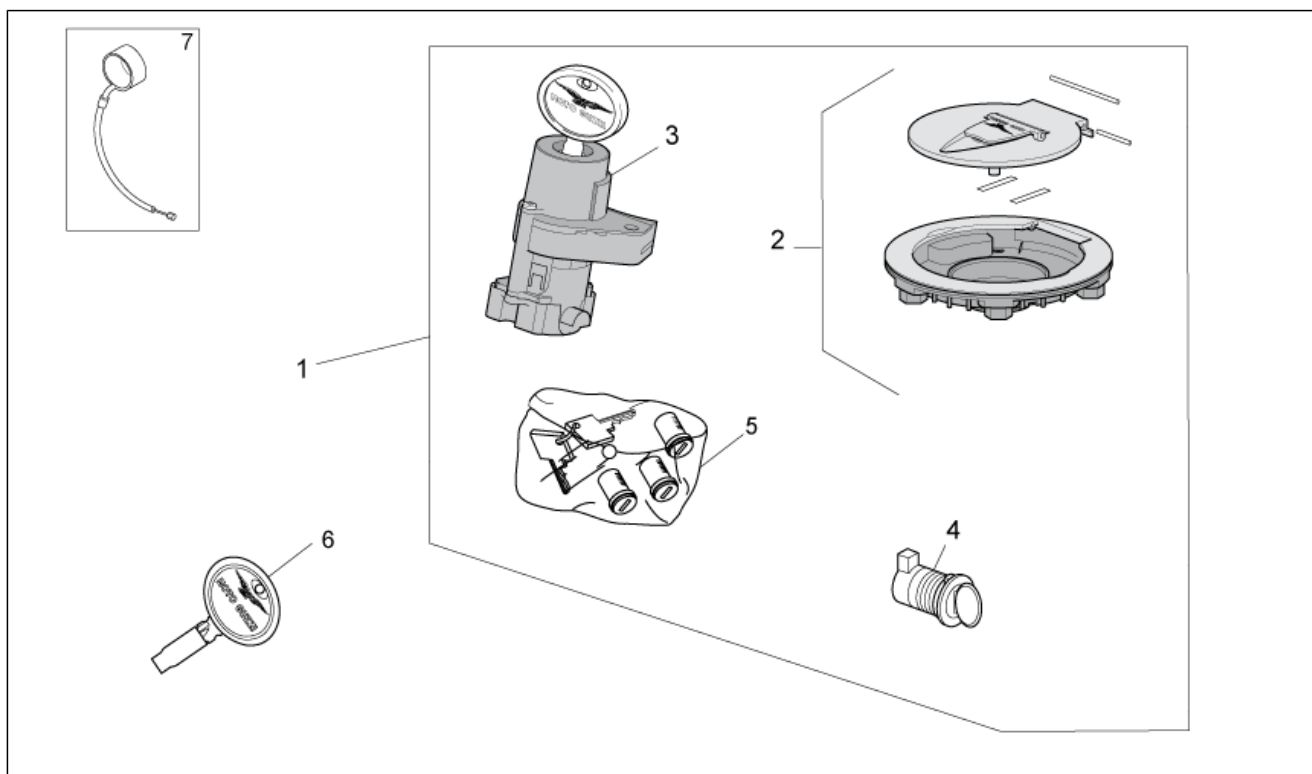


<b>Gruppo</b>	TELAIO
<b>Codice</b>	33.37
<b>Descrizione</b>	Impianto elettrico II
<b>Revisione</b>	1



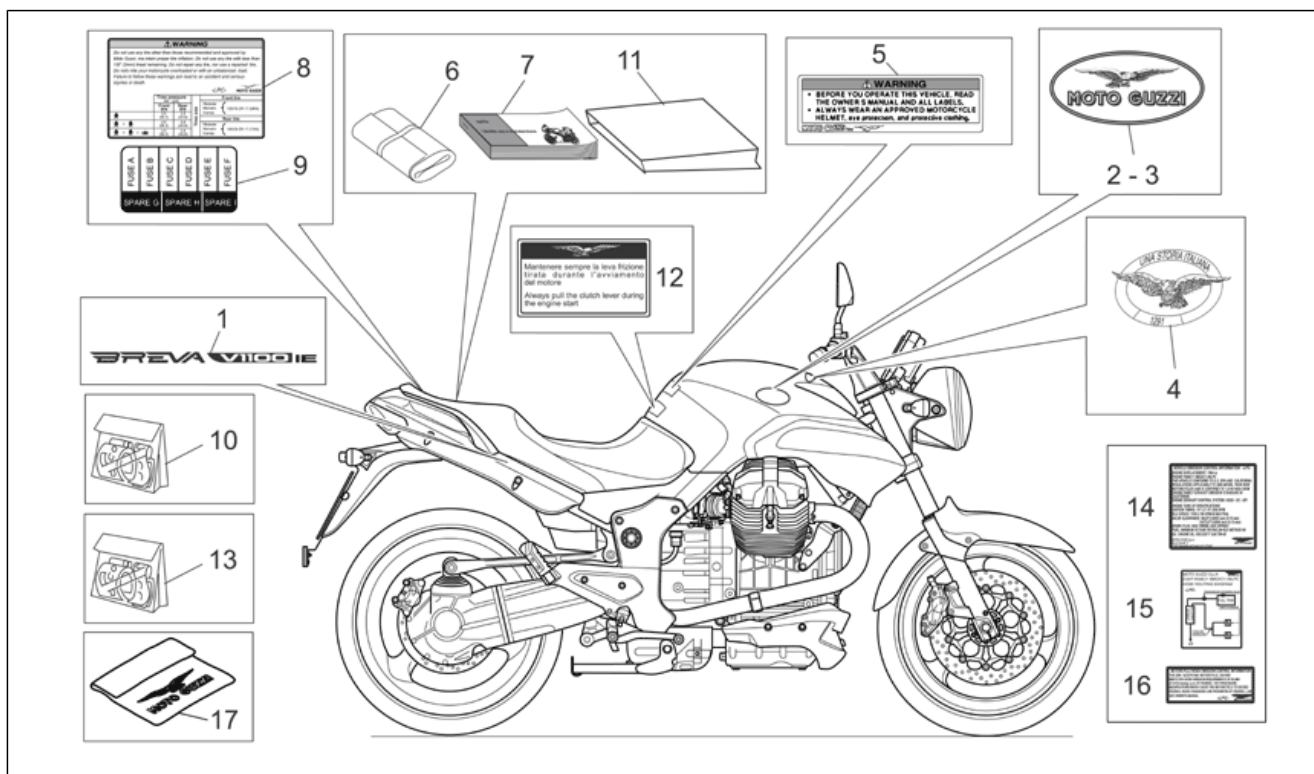
Pos.	Codice	Descrizione	Q.ta	Varianti
19	AP8220283	Gommino *	3	
20	977773	Fusibile 20A	2	
21	977772	Fusibile 15A	4	
22	977769	Fusibile 3A	2	
23	977771	Fusibile 10A	1	<b>Specifiche Tecniche:</b> Versione con ABS[abs]
24	GU95129131	Rosetta ondulata 8,4x15x1,7	1	
25	GU92609408	Dado M8x1,25	1	
26	GU14609650	Fascetta 3,6x20,6	23	
26	GU30609600	Fascetta 8,8x185	1	
26	GU93304360	Fascetta 7,6x380	2	
27	977761	Fusibile ABS-25A	2	<b>Specifiche Tecniche:</b> Versione con ABS[abs]
28	977762	Fusibile ABS-40A	2	<b>Specifiche Tecniche:</b> Versione con ABS[abs]

<b>Gruppo</b>	TELAIO
<b>Codice</b>	33.38
<b>Descrizione</b>	Kit serrature
<b>Revisione</b>	1



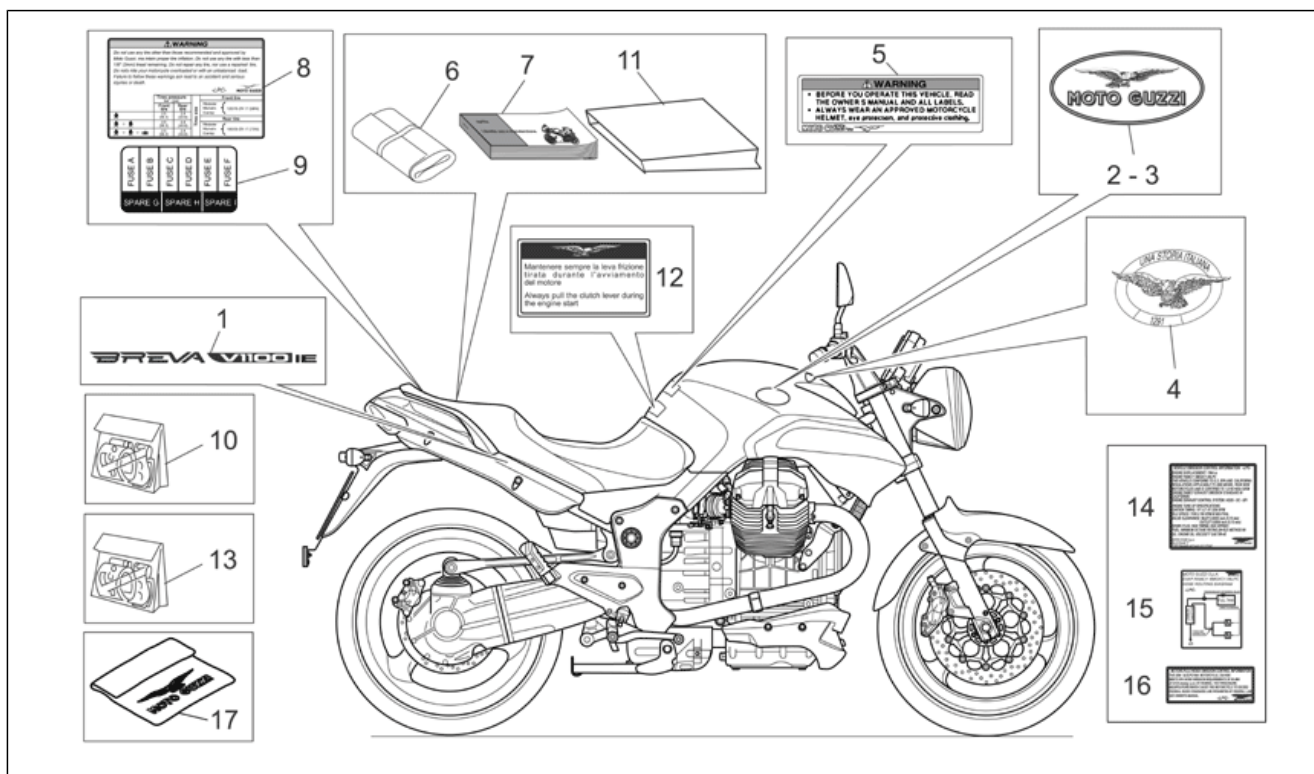
Pos.	Codice	Descrizione	Q.ta	Varianti
1	977666	Kit serrature	1	Anno:2007[7] Paese:Australia[AUS], Canada[CA], Altri paesi Europa[EU], Giappone[J], Gran Bretagna[UK]
1	B063858	Kit serrature	1	Paese:Stati Uniti d'America[USA]
1	GU05736830	Kit serrature	1	Anno:2005[5], 2006[6] Paese:Australia[AUS], Canada[CA], Altri paesi Europa[EU], Giappone[J], Gran Bretagna[UK]
2	GU05103930	Tappo serbatoio	1	
3	B063859	Blocchetto avviamento-blocc.	1	Paese:Stati Uniti d'America[USA]
3	GU05782530	Blocchetto avviamento-blocc.	1	
4	GU05466830	Serratura sella	1	
5	978220	kit rotor+chiavi unificate	1	Anno:2007[7]
6	GU05735530	Chiave liscia grezzo	1	
7	981087	Antenna immobilizer	1	

<b>Gruppo</b>	TELAIO
<b>Codice</b>	33.39
<b>Descrizione</b>	Targhette-decalco-libretti
<b>Revisione</b>	1



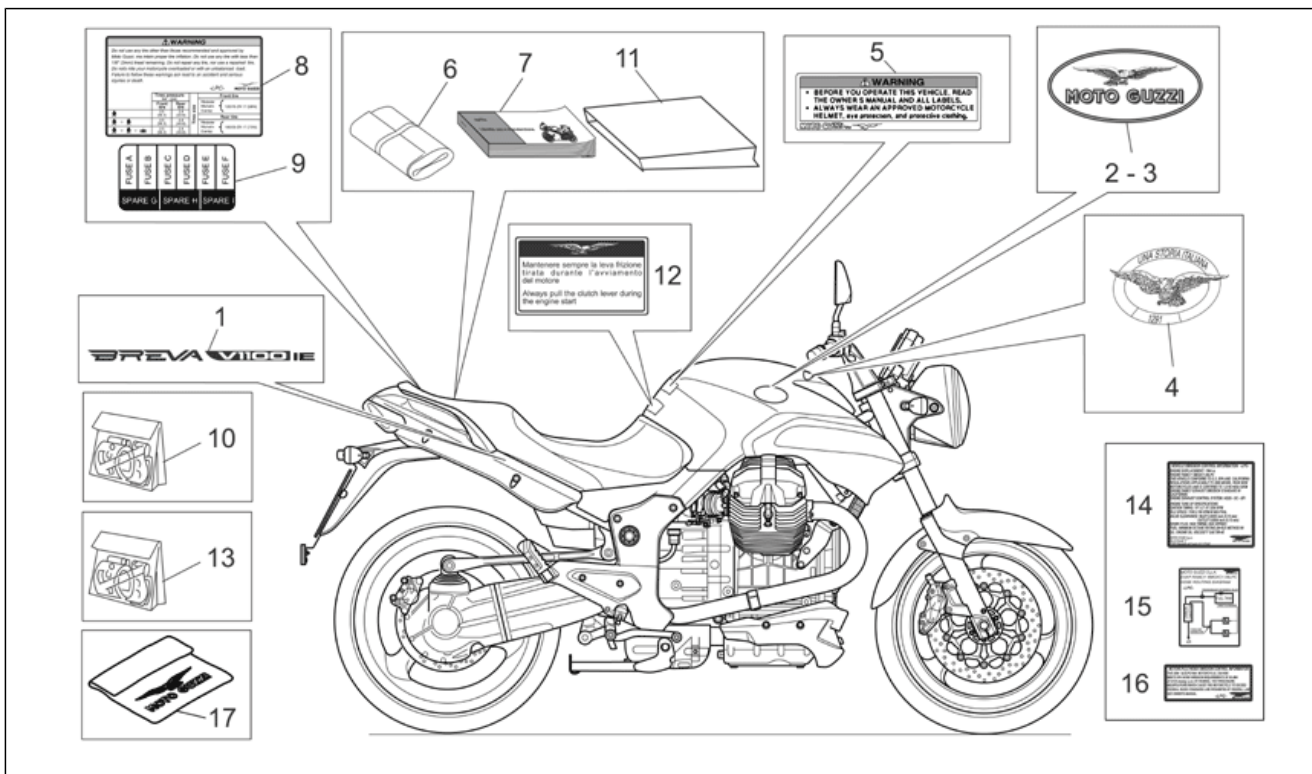
Pos.	Codice	Descrizione	Q.ta	Varianti
1	GU05923430	Decalco "Brevia V 1100 I.E."	2	<b>Colore veicolo:</b> Bianco Diamante 2007[d/wh], Arancio 2006[or], Rosso Race 2005-2006[r/re], Grigio sasso del Lario 2005-2006[s/gr]
1	GU05923431	Decalco "Brevia V 1100 I.E."	2	<b>Colore veicolo:</b> Nero Guzzi 2005-2006[g/bl]
2	GU06917400	Targhetta sx rosso/oro AL	1	<b>Specifiche Tecniche:</b> Seconda serie[2A]
2	GU32917410	Targhetta sx nero/rosso AL	1	<b>Colore veicolo:</b> Nero Guzzi 2005-2006[g/bl], Grigio sasso del Lario 2005-2006[s/gr] <b>Specifiche Tecniche:</b> Prima serie[1A]
2	GU32917412	Targhetta sx rosso/grigio AL	1	<b>Colore veicolo:</b> Rosso Race 2005-2006[r/re] <b>Specifiche Tecniche:</b> Prima serie[1A]
3	GU06917300	Targhetta dx rosso/oro AL	1	<b>Specifiche Tecniche:</b> Seconda serie[2A]
3	GU32917310	Targhetta dx nero/rosso AL	1	<b>Colore veicolo:</b> Nero Guzzi 2005-2006[g/bl], Grigio sasso del Lario 2005-2006[s/gr] <b>Specifiche Tecniche:</b> Prima serie[1A]
3	GU32917312	Targhetta dx rosso/grigio AL	1	<b>Colore veicolo:</b> Rosso Race 2005-2006[r/re] <b>Specifiche Tecniche:</b> Prima serie[1A]
4	GU05917530	Decalco "Italian Story"	1	
5	GU30944300	Decalco "Attention"	1	
6	GU05909930	Trousse attrezzi	1	
7	977472	Libretto u/m I-F-D-NL-E-UK	1	<b>Anno:</b> 2006[6] <b>Paese:</b> Australia[AUS], Altri paesi Europa[EU], Giappone[J], Gran Bretagna[UK]
7	977473	Libretto uso e manut.	1	<b>Anno:</b> 2006[6] <b>Paese:</b> Canada[CA], Stati Uniti d'America[USA]
7	978247	Libretto u/m I-F-D-NL-E-UK	1	<b>Anno:</b> 2007[7] <b>Paese:</b> Australia[AUS], Altri paesi Europa[EU], Giappone[J], Gran Bretagna[UK]
7	978248	Libretto uso e manut.	1	<b>Anno:</b> 2007[7] <b>Paese:</b> Canada[CA], Stati Uniti d'America[USA]
7	GU05900030	Libretto uso e manut.	1	<b>Paese:</b> Australia[AUS], Altri paesi Europa[EU], Giappone[J], Gran Bretagna[UK] <b>Specifiche Tecniche:</b> Versione senza ABS[std]

<b>Gruppo</b>	TELAIO
<b>Codice</b>	33.39
<b>Descrizione</b>	Targhette-decalco-libretti
<b>Revisione</b>	1



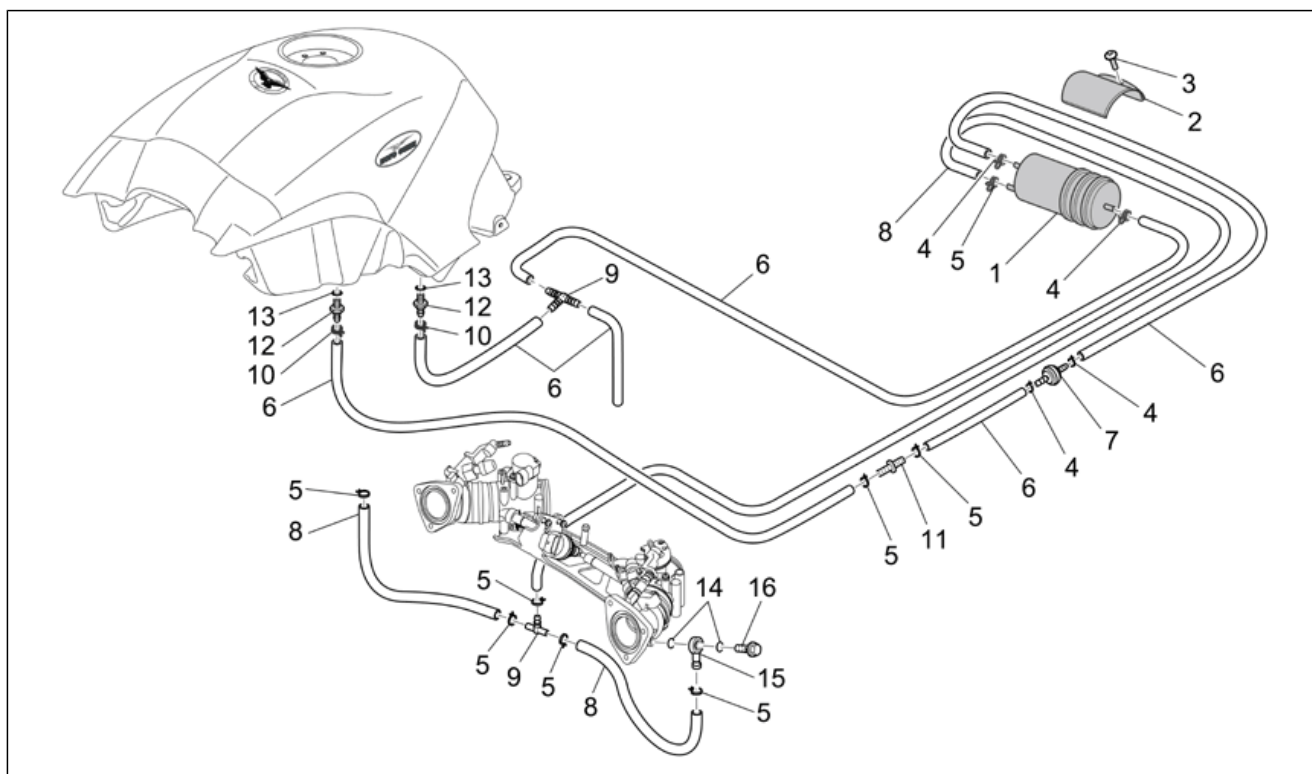
Pos.	Codice	Descrizione	Q.ta	Varianti
7	GU05900031	Libretto uso e manut.	1	Anno:2006[6] Paese:Stati Uniti d'America[USA] Specifiche Tecniche:Versione senza ABS[std]
8	GU05926030	Decalco pressione pneumatici	1	
9	GU05945030	Decalco fusibili	1	
10	977763	Decalco-serie	1	Colore veicolo:Bianco Diamante 2007[d/wh], Arancio 2006[or]
10	977763	Decalco-serie	1	Colore veicolo:Rosso Race 2005-2006[r/re], Grigio sasso del Lario 2005-2006[s/gr] Specifiche Tecniche:Seconda serie[2A]
10	GU05923331	Decalco-serie	1	Colore veicolo:Rosso Race 2005-2006[r/re] Specifiche Tecniche:Prima serie[1A]
10	GU05923332	Decalco-serie	1	Colore veicolo:Nero Guzzi 2005-2006[g/bl]
10	GU05923333	Decalco-serie	1	Colore veicolo:Grigio sasso del Lario 2005-2006[s/gr] Specifiche Tecniche:Prima serie[1A]
11	GU05900130	Sacchetto per documenti	1	
12	GU05944930	Decalco Engine Start	1	
13	GU05923330	Decalco-serie tecniche	1	Paese:Canada[CA], Stati Uniti d'America[USA]
14	977579	Decalco emissioni inquinanti	1	Anno:2007[7] Paese:Canada[CA], Stati Uniti d'America[USA] Specifiche Tecniche:Dal telaio ZGULPC0047M113962[T2]
14	GU05943930	Decalco emissioni inquinanti	1	Anno:2006[6] Paese:Stati Uniti d'America[USA] Specifiche Tecniche:Fino al telaio ZGULPC0047M113961[T1]
15	977577	Decalco filtro a carboni	1	Anno:2007[7] Paese:Canada[CA], Stati Uniti d'America[USA] Specifiche Tecniche:Dal telaio ZGULPC0047M113962[T2]
15	GU05944030	Decalco filtro a carboni	1	Anno:2006[6] Paese:Stati Uniti d'America[USA] Specifiche Tecniche:Fino al telaio ZGULPC0047M113961[T1]

<b>Gruppo</b>	TELAIO
<b>Codice</b>	33.39
<b>Descrizione</b>	Targhette-decalco-libretti
<b>Revisione</b>	1



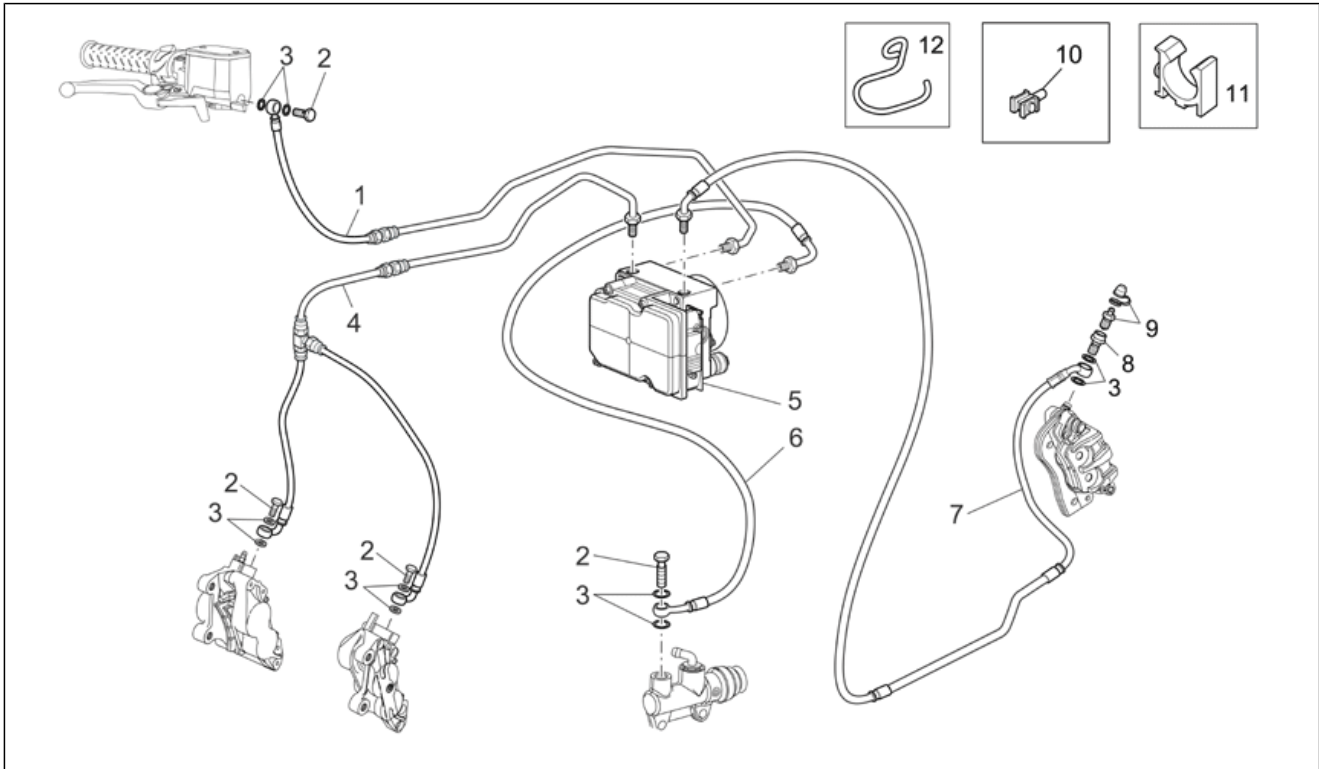
Pos.	Codice	Descrizione	Q.ta	Varianti
16	977578	Decalco emissioni sonore	1	Anno:2007[7] Paese:Canada[CA], Stati Uniti d'America[USA] Specifiche Tecniche:Dal telaio ZGULPC0047M113962[T2]
16	GU05997630	Decalco emissioni sonore	1	Anno:2006[6] Paese:Stati Uniti d'America[USA] Specifiche Tecniche:Fino al telaio ZGULPC0047M113961[T1]
17	GU30970200	Telo coprimoto	1	

<b>Gruppo</b>	TELAIO
<b>Codice</b>	33.57
<b>Descrizione</b>	Impianto recupero vapori benzina
<b>Revisione</b>	1



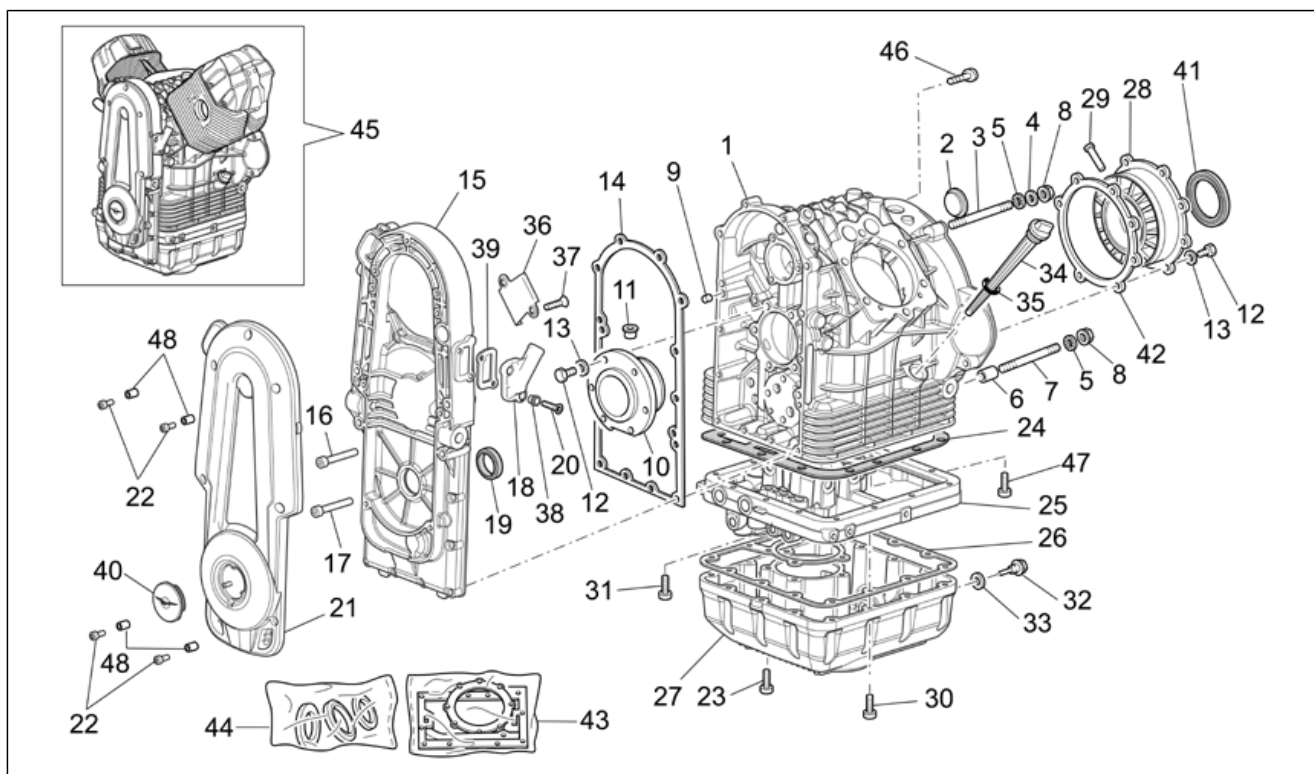
Pos.	Codice	Descrizione	Q.ta	Varianti
1	AP8102678	Filtro a carboni	1	Paese:Canada[CA], Stati Uniti d'America[USA]
2	AP8134884	Piastra supporto canister	1	Paese:Canada[CA], Stati Uniti d'America[USA]
3	AP8152329	Vite SWP t.croce flang. M5x20	1	Paese:Canada[CA], Stati Uniti d'America[USA]
4	AP8102378	Fascetta D11,3	4	Paese:Canada[CA], Stati Uniti d'America[USA]
5	AP8102377	Fascetta D9,1*	8	Paese:Canada[CA], Stati Uniti d'America[USA]
6	AP8120952	Tubo benz. 5,5x10	3	Paese:Canada[CA], Stati Uniti d'America[USA]
7	AP8104614	Valvola pressione	1	Paese:Canada[CA], Stati Uniti d'America[USA]
8	AP8220263	Tubo sfiato 4x8	2	Paese:Canada[CA], Stati Uniti d'America[USA]
9	AP8104666	Raccordo a tre vie	2	Paese:Canada[CA], Stati Uniti d'America[USA]
10	AP8101595	Fascetta D10,1	2	Paese:Canada[CA], Stati Uniti d'America[USA]
11	AP8101944	Raccordo a due vie	1	Paese:Canada[CA], Stati Uniti d'America[USA]
12	GU30103730	Raccordo	2	Paese:Canada[CA], Stati Uniti d'America[USA]
13	AP8120965	Anello OR 2018	2	Paese:Canada[CA], Stati Uniti d'America[USA]
14	GU90706009	Anello OR 6x1	4	Paese:Canada[CA], Stati Uniti d'America[USA]
15	GU95963062	Raccordo	2	Paese:Canada[CA], Stati Uniti d'America[USA]
16	GU95990023	Vite forata	2	Paese:Canada[CA], Stati Uniti d'America[USA]

<b>Gruppo</b>	TELAIO
<b>Codice</b>	33.60
<b>Descrizione</b>	Impianto frenante ABS
<b>Revisione</b>	1



Pos.	Codice	Descrizione	Q.ta	Varianti
1	GU05681030	Tubo freno ant.	1	<b>Specifiche Tecniche:</b> Versione con ABS[abs]
2	AP8133594	Vite tubo olio	4	
3	GU25656100	Guarnizione in alluminio	10	
4	GU05680830	Tubo freno ant.	1	<b>Specifiche Tecniche:</b> Versione con ABS[abs]
5	GU05680530	Centralina/pompa ABS	1	<b>Specifiche Tecniche:</b> Versione con ABS[abs]
6	GU05681130	Tubo freno	1	<b>Specifiche Tecniche:</b> Versione con ABS[abs]
7	GU05680930	Tubo freno post.	1	<b>Specifiche Tecniche:</b> Versione con ABS[abs]
8	AP8133597	Vite	1	
9	AP8213113	Spurgo+cappuccio	1	
10	AP8202238	Ancoraggio guidacavo	4	
11	GU05436530	Guidacavo D5	4	<b>Specifiche Tecniche:</b> Versione con ABS[abs]
12	GU05683130	Guidacavo D8	1	<b>Specifiche Tecniche:</b> Versione con ABS[abs]

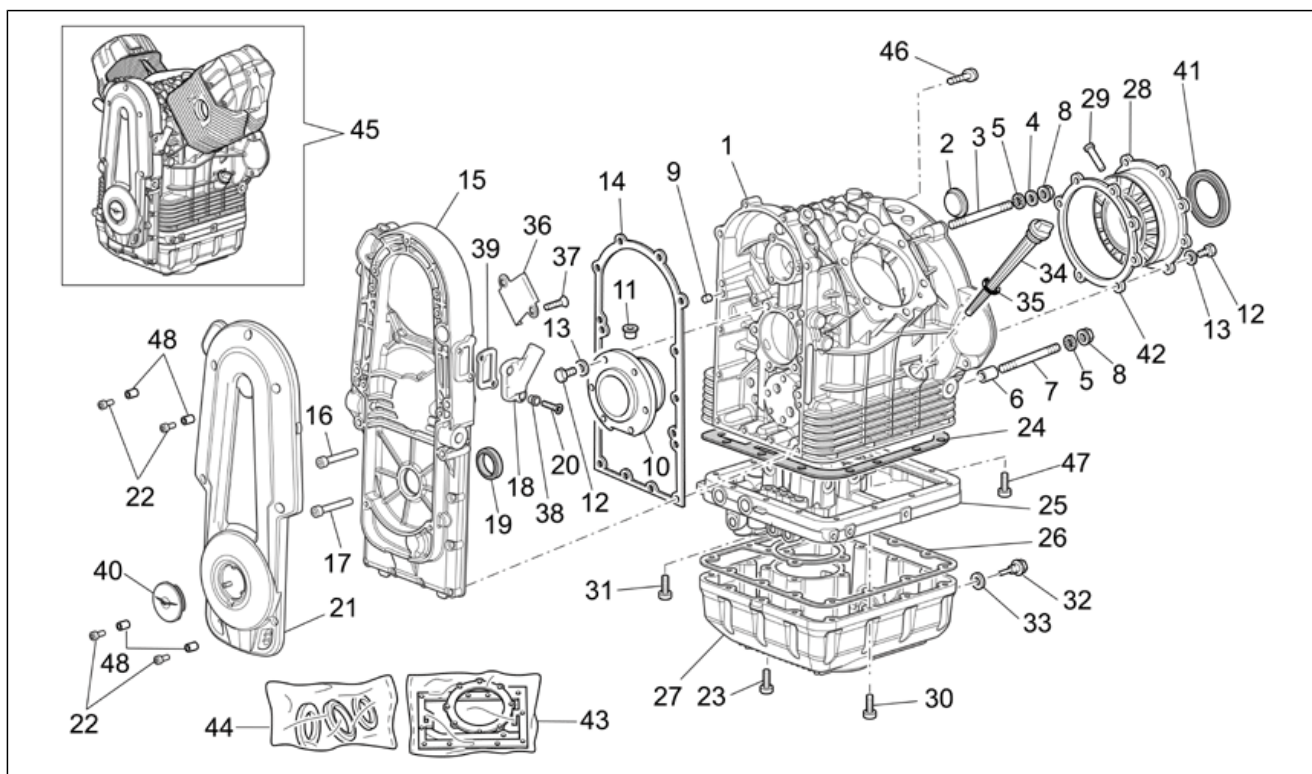
<b>Gruppo</b>	MOTORE
<b>Codice</b>	34.40
<b>Descrizione</b>	Carter
<b>Revisione</b>	1



Pos.	Codice	Descrizione	Q.ta	Varianti
1	976041	Basamento motore nero	1	<b>Specifiche Tecniche:</b> Dal motore KP15051[M10]
1	GU05000730	Basamento motore nero	1	<b>Specifiche Tecniche:</b> Fino al motore KP15050[M9]
2	GU12003900	Piattello	1	
3	GU96508066	Prigioniero M8X66	3	
4	GU95008208	Rosetta 8,4X15X1,5	2	
5	GU14615901	Rosetta 8,4X13X0,8	5	
6	GU12018900	Bussola di guida	2	
7	GU96508075	Prigioniero M8x75	2	
8	GU92660021	Dado flangiato M8	5	
9	GU95512081	Spina	2	
10	GU14011900	Flangia cpl.	1	
10	GU14011901	Flangia min.0,2 mm	1	
11	GU12012200	Spina	1	
12	GU98084425	Vite TE M8x25	14	
13	GU61270300	Rosetta elastica 8x15x0,3	14	
14	GU05001231	Guarnizione coperchio	1	
15	GU05001430	Coperchio distribuzione nero	1	
16	AP8150046	Vite TCEI M8x55	4	
17	GU98682330	Vite TCEI M6x20	10	
18	GU05007230	Raccordo	1	
19	GU90412237	Anello di tenuta 22x35x7viton	1	
20	GU98682320	Vite TCEI M6x20	2	
21	GU05001630	Coperchio generatore grigio	1	
22	GU98682316	Vite TCEI M6x16	4	
23	GU98680335	Vite TCEI M6x35	4	
24	GU01003651	Guarnizione flangia	1	
25	GU05003130	Flangia nera	1	
26	GU05003630	Guarnizione	1	

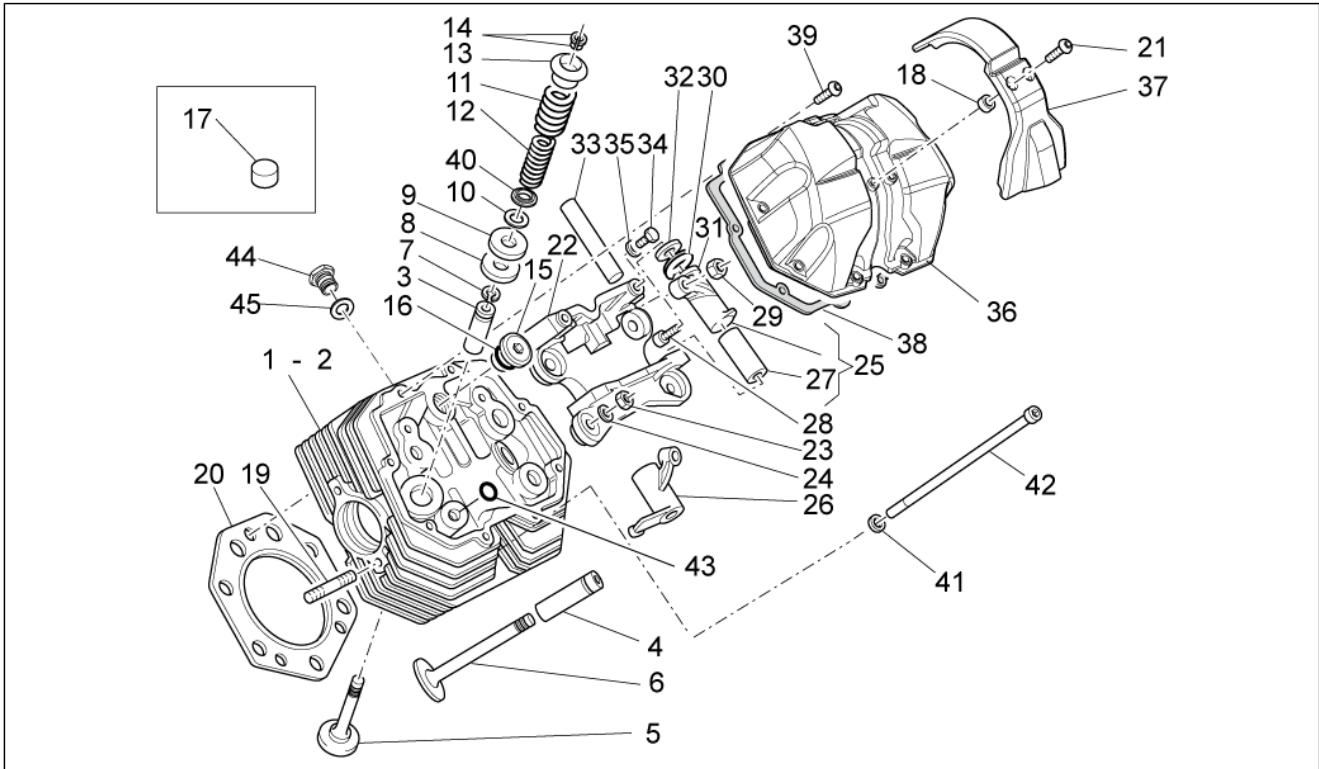


<b>Gruppo</b>	MOTORE
<b>Codice</b>	34.40
<b>Descrizione</b>	Carter
<b>Revisione</b>	1



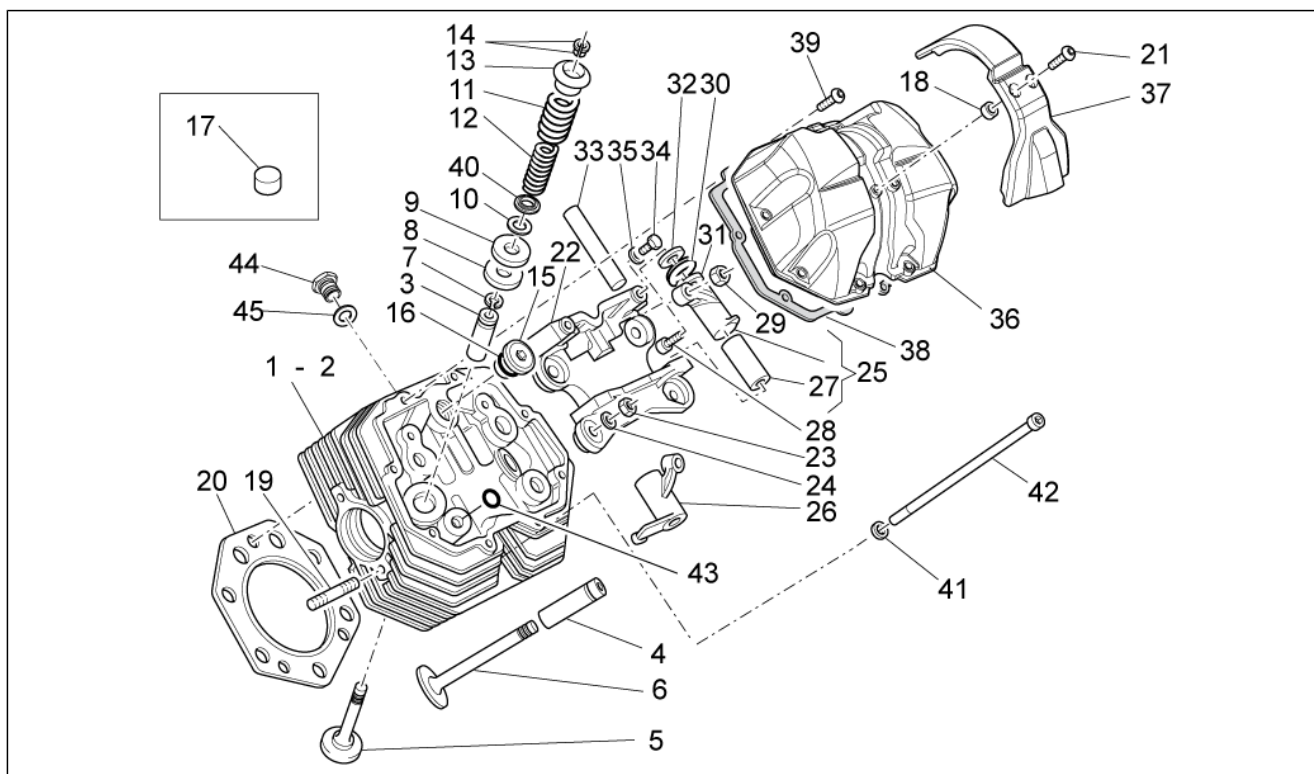
Pos.	Codice	Descrizione	Q.ta	Varianti
27	GU05003530	Coppa olio motore nero	1	
28	GU12011400	Flangia cpl.	1	
28	GU12011401	Flangia min.0,2 mm	1	
28	GU12011402	Flangia min.0,4 mm	1	
28	GU12011403	Flangia min.0,6 mm	1	
29	GU12011700	Spina	1	
30	AP4ADN000007	Vite TCEI	14	
31	GU98680360	Vite TCEI M6x60	2	
32	GU31003766	Tappo scarico olio M10x1	1	
33	GU01528930	Guarnizione 10x18x1,5	1	
34	GU05004930	Tappo livello olio	1	
35	GU90706178	Anello OR 17,86x2,62	1	
36	GU05007330	Piastrina	1	
37	GU98257408	Vite TSPEI M4x8	2	
38	GU91120607	Boccola 6,4x8,4x10,5	2	
39	GU90706347	Anello OR 34,65x1,78viton	1	
40	GU05002130	Tappo	1	
41	GU90405367	Anello di tenuta	1	
42	GU05011830	Guarnizione flangia	1	
43	GU05999030	Serie guarnizioni motore	1	
44	GU05999530	Kit paraoli motore/cambio	1	
45	GU05991030	Motore cpl.	1	
46	AP8152291	Vite TE flangiata	1	
47	GU98680340	Vite TCEI M6x40	2	
48	GU91120606	Boccola 6,8x8,8x5,8	4	

<b>Gruppo</b>	MOTORE
<b>Codice</b>	34.41
<b>Descrizione</b>	Testa cilindro e valvole I
<b>Revisione</b>	1



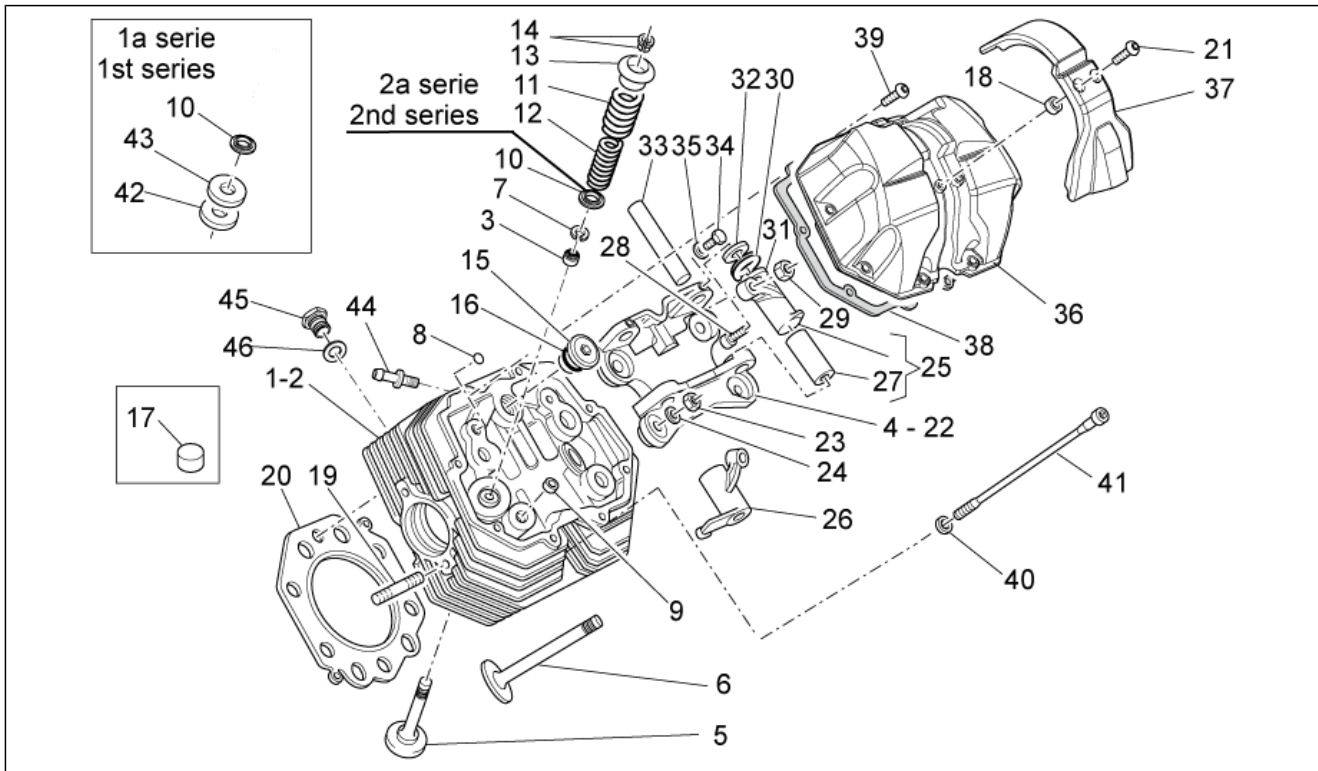
Pos.	Codice	Descrizione	Q.ta	Varianti
1	GU05022130	Testa cilindro dx.cpl.	1	<b>Specifiche Tecniche:</b> Fino al motore KP13482[M7]
1	GU05022132	Testa cilindro dx.cpl.grigia	1	<b>Specifiche Tecniche:</b> Dal motore KP13483[M8], Fino al motore KP15050[M9]
2	GU05022230	Testa cilindro sx.cpl.	1	<b>Specifiche Tecniche:</b> Fino al motore KP13482[M7]
2	GU05022232	Testa cilindro sx.cpl.grigia	1	<b>Specifiche Tecniche:</b> Dal motore KP13483[M8], Fino al motore KP15050[M9]
3	GU13036801	Guidavalvola scarico	2	<b>Specifiche Tecniche:</b> Fino al motore KP13482[M7]
4	GU14036860	Guidavalvola aspirazione	2	<b>Specifiche Tecniche:</b> Fino al motore KP13482[M7]
5	GU05036131	Valvola scarico	2	
6	GU05036030	Valvola aspirazione	2	
7	GU90353016	Anello elastico	4	
8	GU13037200	Rosetta 14,2x31x1	4	
9	GU14037300	Rosetta 14,2x31x0,3	10	
10	GU01038730	Rosetta per piattello	4	
11	GU37037405	Molla est.	4	
12	GU37037605	Molla int.	4	
13	GU01038060	Piattello sup.	4	
14	GU01038160	Semicono valvola	8	
15	GU12022600	Tappo olio	2	
16	GU90706203	Anello OR 20,24X2,62	2	
17	GU05025331	Gommino antivibrante	18	
18	GU32116810	Boccola 6,8x8,8x9,8	4	
19	GU96508040	Prigioniero	4	
20	GU03022055	Guarnizione	2	<b>Specifiche Tecniche:</b> Fino al motore KP15050[M9]
21	AP8152298	Vite TBEI flangiata M5x16	4	
22	GU14034865	Supporto bilancere	2	<b>Specifiche Tecniche:</b> Fino al motore KP15050[M9]
23	GU92603010	Dado M10X1,5	8	
24	GU14018400	Rosetta 10,5X21X1	8	

<b>Gruppo</b>	MOTORE
<b>Codice</b>	34.41
<b>Descrizione</b>	Testa cilindro e valvole I
<b>Revisione</b>	1



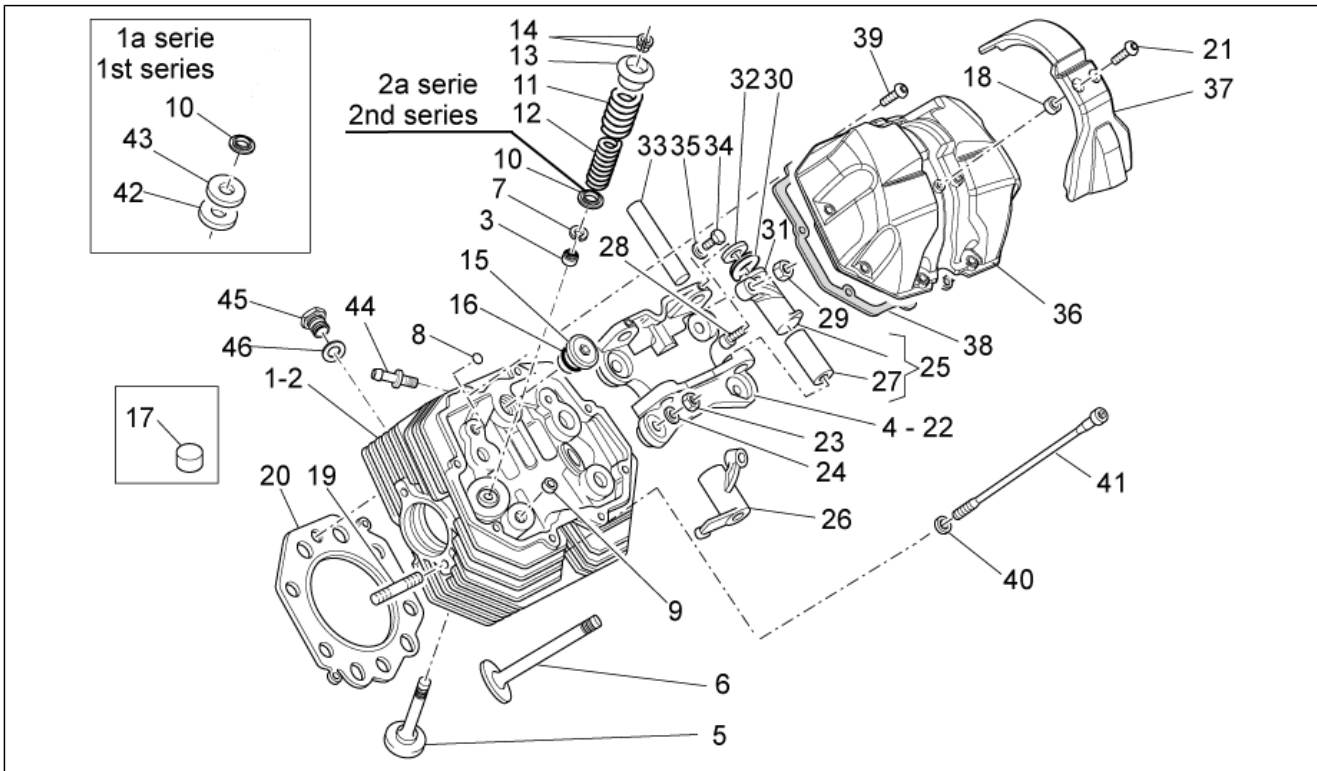
Pos.	Codice	Descrizione	Q.ta	Varianti
25	GU14030201	Bilanciere cpl.dx	2	
26	GU14030401	Bilanciere cpl.sx	2	
27	GU91111511	Boccola 15x18x43	4	
28	GU17034050	Vite registro	4	
29	GU10034100	Dado	4	
30	GU94322215	Molla	4	
31	GU90118152	Rosetta 15,2x26x1	8	
32	GU10032700	Rosetta 15,2x26x0,5	4	
33	GU12031800	Perno bilanciere	4	
34	GU98084316	Vite TE	4	
35	GU95120065	Rosetta 6,5x11x2	4	
36	GU05023530	Coperchio testa marrone	2	
37	GU05023430	Inserto	2	
38	976139	Guarnizione coperchio	2	
39	GU05025930	Vite M6x25	16	
40	GU01037030	Piattello inf. 14,2x32x5	4	
41	GU95129180	Rosetta 10,5X18X0,8	4	
42	976144	Vite	4	<b>Specifiche Tecniche:</b> Dal motore KP14271[M6]
42	GU05021831	Vite	4	<b>Specifiche Tecniche:</b> Fino al motore KP14270[M5]
43	GU90706094	Anello OR 9x2	8	<b>Specifiche Tecniche:</b> Fino al motore KP15050[M9]
44	976068	Tappo	2	
45	969973	Rosetta	2	

<b>Gruppo</b>	MOTORE
<b>Codice</b>	34.42
<b>Descrizione</b>	Testa cilindro e valvole II
<b>Revisione</b>	1



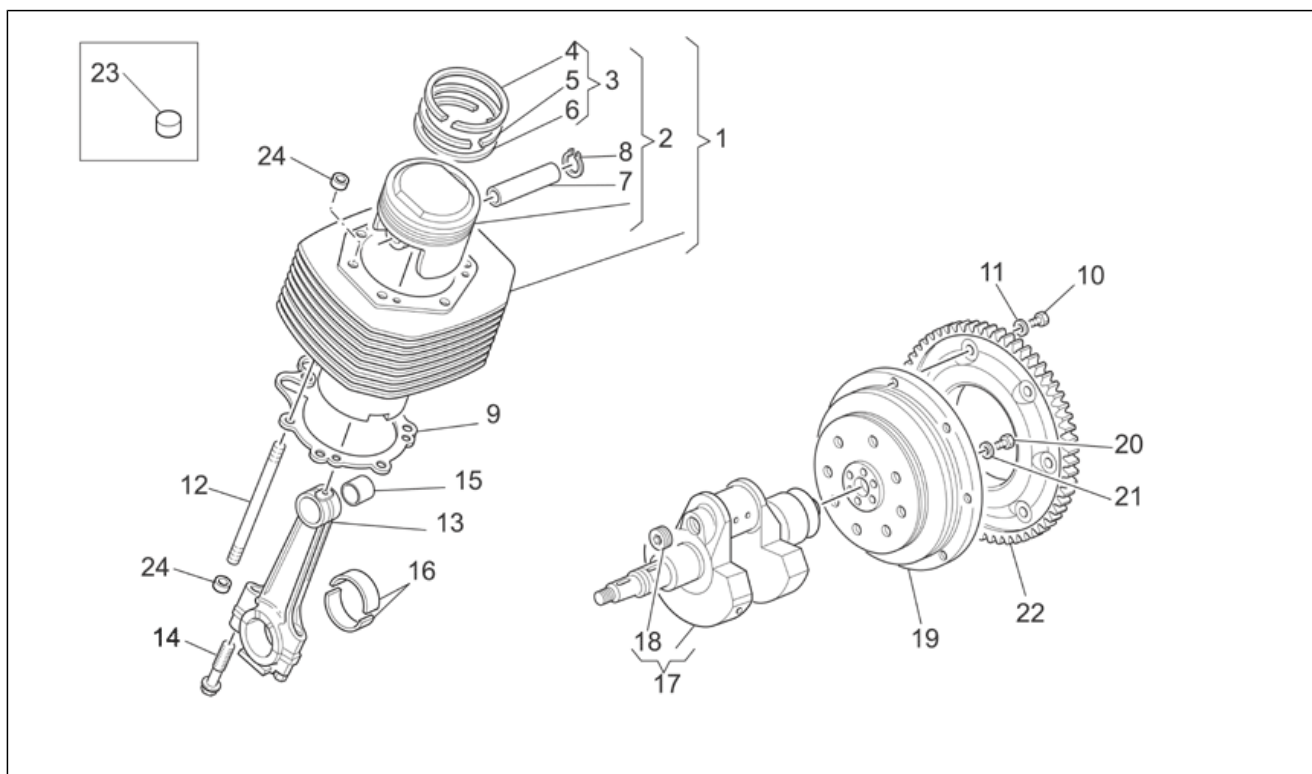
Pos.	Codice	Descrizione	Q.ta	Varianti
1	976079	Testa cilindro dx.cpl.grigia	1	<b>Specifiche Tecniche:</b> Dal motore KP15051[M10]
2	976080	Testa cilindro sx.cpl.grigia	1	<b>Specifiche Tecniche:</b> Dal motore KP15051[M10]
3	976107	Paraolio guida valvola D8	4	<b>Specifiche Tecniche:</b> Dal motore KP15051[M10]
4	976152	Supporto bilanciere dx	1	<b>Specifiche Tecniche:</b> Dal motore KP15051[M10]
5	GU05036131	Valvola scarico	2	
6	GU05036030	Valvola aspirazione	2	
7	GU90353016	Anello elastico	4	
8	224202	Anello OR 8,73x1,78-viton	4	<b>Specifiche Tecniche:</b> Dal motore KP15051[M10]
9	825597	Spina 11,8X10	4	<b>Specifiche Tecniche:</b> Dal motore KP15051[M10]
10	976181	Piattello inf. 14,2x32x7	4	<b>Specifiche Tecniche:</b> Seconda serie[2A]
10	GU01037030	Piattello inf. 14,2x32x5	4	<b>Specifiche Tecniche:</b> Prima serie[1A]
11	GU37037405	Molla est.	4	
12	GU37037605	Molla int.	4	
13	GU01038060	Piattello sup.	4	
14	GU01038160	Semicono valvola	8	
15	GU12022600	Tappo olio	2	
16	GU90706203	Anello OR 20,24X2,62	2	
17	GU05025331	Gommino antivibrante	18	
18	GU32116810	Boccola 6,8x8,8x9,8	4	
19	GU96508040	Prigioniero	4	
20	976087	Guarnizione	2	<b>Specifiche Tecniche:</b> Dal motore KP15051[M10]
21	AP8152298	Vite TBEI flangiata M5x16	4	
22	976153	Supporto bilanciere sx	1	<b>Specifiche Tecniche:</b> Dal motore KP15051[M10]
23	GU92603010	Dado M10X1,5	8	
24	GU14018400	Rosetta 10,5X21X1	8	
25	GU14030201	Bilanciere cpl.dx	2	
26	GU14030401	Bilanciere cpl.sx	2	
27	GU91111511	Boccola 15x18x43	4	

<b>Gruppo</b>	MOTORE
<b>Codice</b>	34.42
<b>Descrizione</b>	Testa cilindro e valvole II
<b>Revisione</b>	1



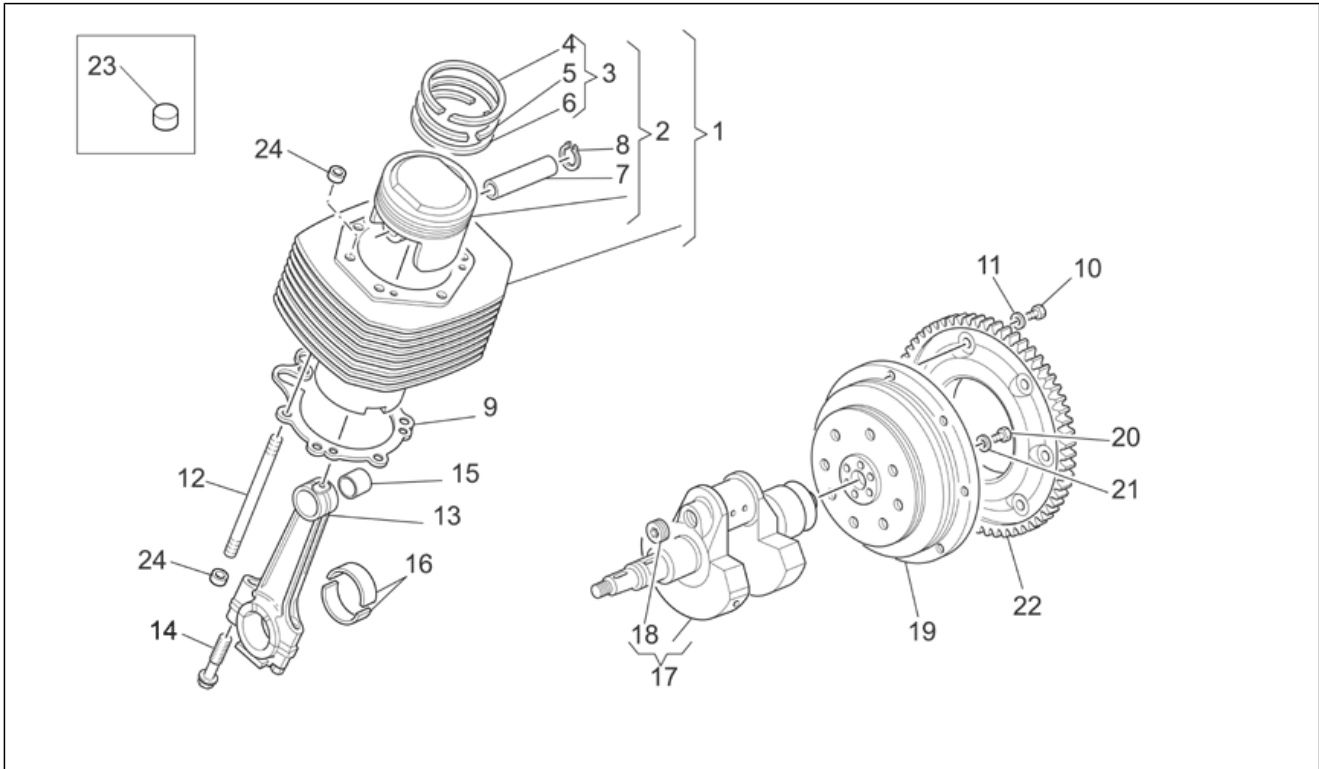
Pos.	Codice	Descrizione	Q.ta	Varianti
28	GU17034050	Vite registro	4	
29	GU10034100	Dado	4	
30	GU94322215	Molla	4	
31	GU90118152	Rosetta 15,2x26x1	8	
32	GU10032700	Rosetta 15,2x26x0,5	4	
33	GU12031800	Perno bilanciante	4	
34	GU98084316	Vite TE	4	
35	GU95120065	Rosetta 6,5x11x2	4	
36	GU05023530	Coperchio testa marrone	2	
37	GU05023430	Inserto	2	
38	976139	Guarnizione coperchio	2	
39	GU05025930	Vite M6x25	16	
40	GU95129180	Rosetta 10,5X18X0,8	4	
41	976144	Vite	4	
42	GU13037200	Rosetta 14,2x31x1	4	Specifiche Tecniche:Prima serie[1A]
43	GU14037300	Rosetta 14,2x31x0,3	10	Specifiche Tecniche:Prima serie[1A]
44	GU32023910	Raccordo sfiato aria su testa	1	
45	976068	Tappo	2	
46	969973	Rosetta	2	

<b>Gruppo</b>	MOTORE
<b>Codice</b>	34.43
<b>Descrizione</b>	Albero motore cpl.
<b>Revisione</b>	1



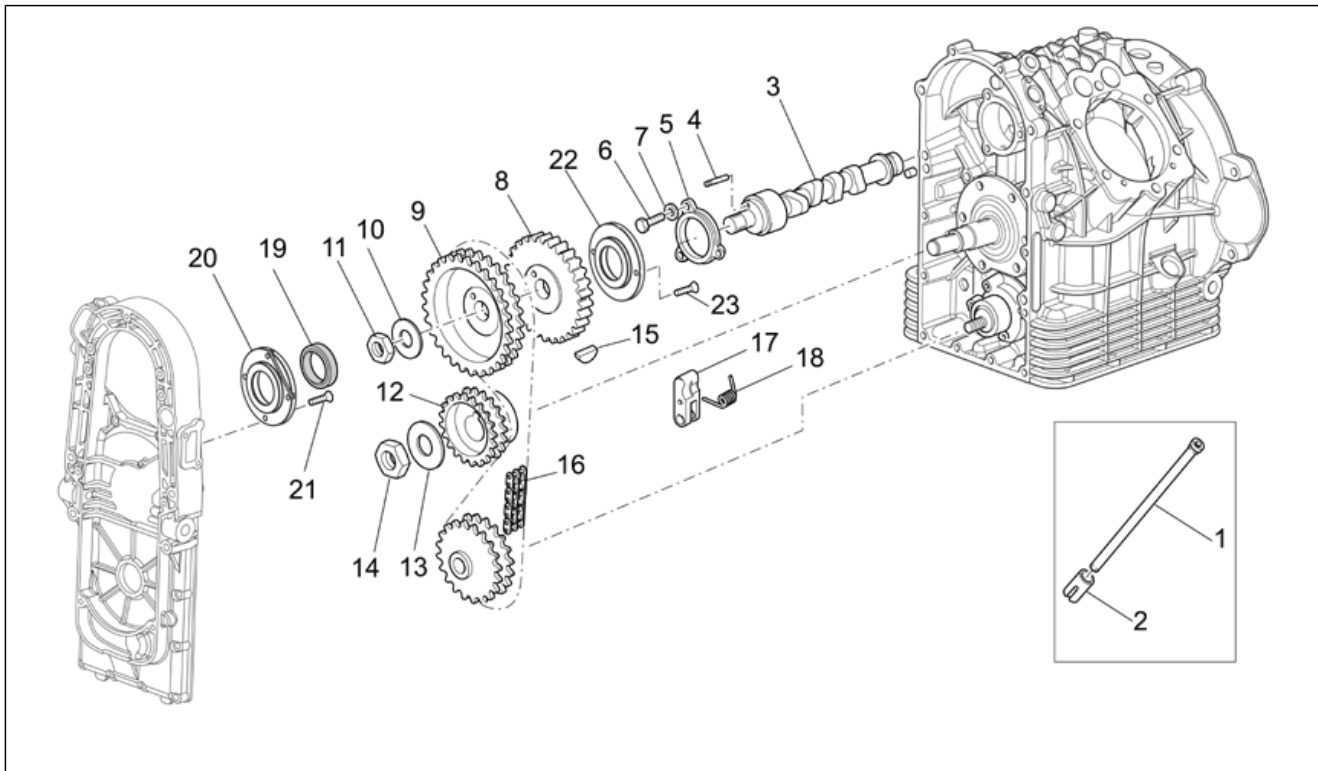
Pos.	Codice	Descrizione	Q.ta	Varianti
1	976196	Cilindro con pistone cpl.	2	<b>Specifiche Tecniche:</b> Dal motore KP15051[M10]
1	GU05060130	Cilindro con pistone cpl.	2	<b>Specifiche Tecniche:</b> Fino al motore KP15050[M9]
2	GU05060230	Pistone cpl.	2	
3	GU05060630	Kit fasce elastiche	2	
4	GU05060730	Fascia elastica superiore	2	
5	GU05060930	Fascia elastica intermedia	2	
6	GU05061030	Fascia elastica raschiaolio	2	
7	GU30061241	Spinotto	2	
8	GU90351039	Anello di fermo	4	
9	976064	Guarnizione	2	<b>Specifiche Tecniche:</b> Dal motore KP15051[M10]
9	GU05020830	Guarnizione	2	<b>Specifiche Tecniche:</b> Fino al motore KP15050[M9]
10	GU37067705	Vite	8	
11	GU14217901	Rosetta zigrinata 6,4x10x0,7	8	
12	976031	Prigioniero	8	<b>Specifiche Tecniche:</b> Dal motore KP14271[M6]
12	GU12021700	Prigioniero	8	<b>Specifiche Tecniche:</b> Fino al motore KP14270[M5]
13	976003	Biella cpl.	2	<b>Specifiche Tecniche:</b> Dal motore KP15262[M12]
13	GU05061530	Biella cpl.	2	<b>Specifiche Tecniche:</b> Fino al motore KP15261[M11]
14	849131	Vite biella	4	<b>Specifiche Tecniche:</b> Dal motore KP15262[M12]
14	GU01062230	Vite biella	4	<b>Specifiche Tecniche:</b> Fino al motore KP15261[M11]
15	GU91112128	Boccola	2	<b>Specifiche Tecniche:</b> Fino al motore KP15261[M11]
16	976171	Semig.bronzina 1,539-1,544	4	<b>Specifiche Tecniche:</b> Segno blu[BS], Dal motore KP15262[M12]
16	976172	Semig.bronzina 1,535-1,540	4	<b>Specifiche Tecniche:</b> Dal motore KP15262[M12], Segno rosso[RS]
16	GU01062030	Semiguscio bronzina	4	<b>Specifiche Tecniche:</b> Fino al motore KP15261[M11]
16	GU01062031	Semiguscio bronzina min.0,254	4	<b>Specifiche Tecniche:</b> Fino al motore KP15261[M11]
16	GU01062032	Semiguscio bronzina min.0,508	4	<b>Specifiche Tecniche:</b> Fino al motore KP15261[M11]
16	GU01062033	Semiguscio bronzina min.0,762	4	<b>Specifiche Tecniche:</b> Fino al motore KP15261[M11]

<b>Gruppo</b>	MOTORE
<b>Codice</b>	34.43
<b>Descrizione</b>	Albero motore cpl.
<b>Revisione</b>	1



Pos.	Codice	Descrizione	Q.ta	Varianti
17	976117	Albero motore cpl.	1	<b>Specifiche Tecniche:</b> Fino al motore KP15261[M11]
17	976186	Albero motore cpl.	1	<b>Specifiche Tecniche:</b> Dal motore KP15262[M12]
18	GU37065405	Tappo	1	
19	GU04067000	Volano cpl.	1	
20	GU12067701	Vite	6	
21	GU14615901	Rosetta 8,4X13X0,8	6	
22	GU01067930	Corona	1	
23	GU05025330	Gommino antivibrante	54	
24	825597	Spina 11,8X10	6	<b>Specifiche Tecniche:</b> Dal motore KP15051[M10]

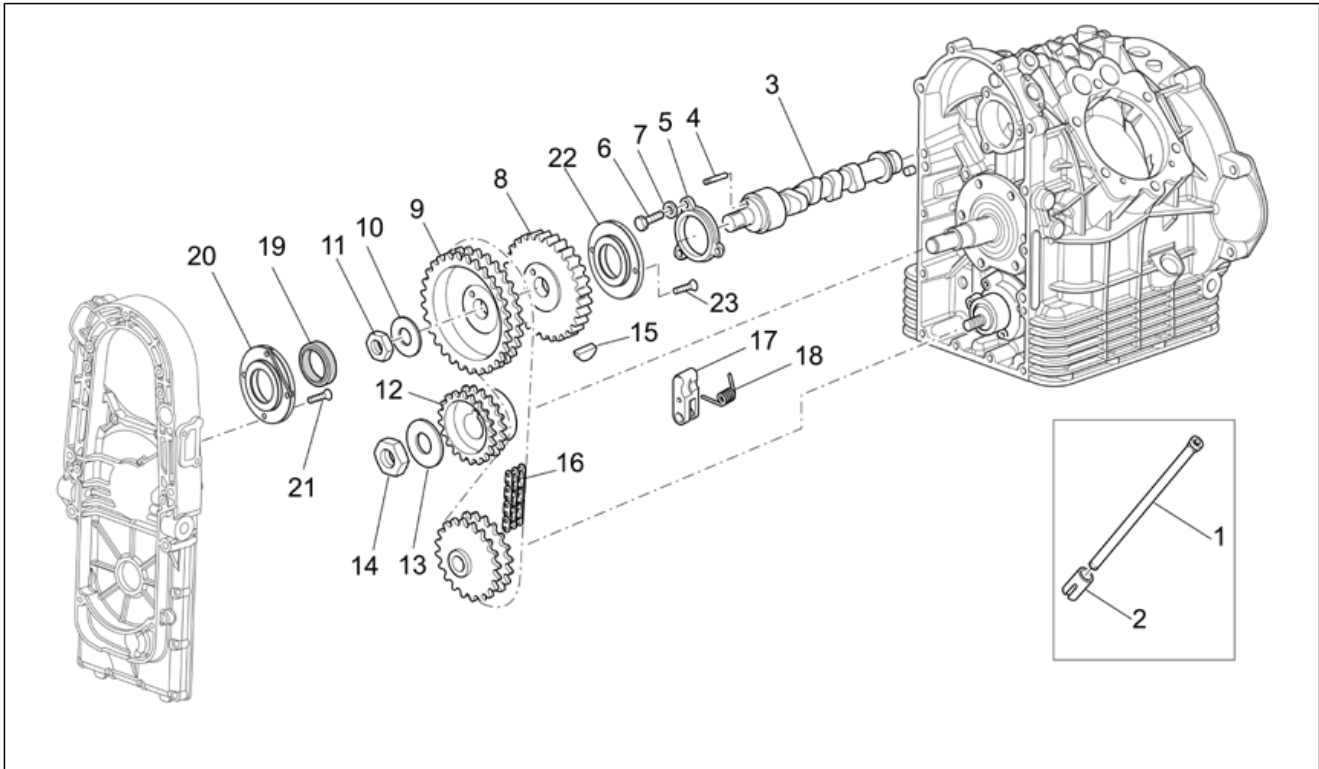
<b>Gruppo</b>	MOTORE
<b>Codice</b>	34.44
<b>Descrizione</b>	Distribuzione
<b>Revisione</b>	1



Pos.	Codice	Descrizione	Q.ta	Varianti
1	GU37045006	Asta bilanciare	4	
2	GU17045860	Punteria	4	
3	GU05053331	Albero a camme	1	
4	GU14234600	Spina	1	
5	GU01054001	Flangia	1	
6	GU98084320	Vite TE M6x20	3	
7	GU95120065	Rosetta 6,5x11x2	3	
8	GU01051730	Ruota fonica	1	<b>Specifiche Tecniche:</b> Fino al motore KP011312[M1]
8	GU01051730	Ruota fonica	1	<b>Specifiche Tecniche:</b> Dal motore KP013217[M4]
8	GU05051730	Ruota fonica	1	<b>Specifiche Tecniche:</b> Fino al motore KP013216[M3]
8	GU05051730	Ruota fonica	1	<b>Specifiche Tecniche:</b> Dal motore KP011313[M2]
9	GU05054530	Ingran.distribuz.	1	<b>Specifiche Tecniche:</b> Fino al motore KP011312[M1]
9	GU05054531	Ingran.distribuz.	1	<b>Specifiche Tecniche:</b> Fino al motore KP013216[M3]
9	GU05054531	Ingran.distribuz.	1	<b>Specifiche Tecniche:</b> Dal motore KP011313[M2]
9	GU05054532	Ingran.distribuz.	1	<b>Specifiche Tecniche:</b> Dal motore KP013217[M4]
10	GU14433400	Rosetta elastica 19x34x1,5	1	
11	GU92750180	Dado M18	1	
12	GU14072001	Pignone	1	
13	GU95100837	Rosetta 25,5x35x2	1	
14	GU92602525	Dado M25	1	
15	GU91600365	Chiavetta 3x6,5	1	
16	GU05058030	Catena	1	
17	GU30058310	Pattino guidacatena	1	
18	GU30059211	Molla	1	
19	GU90401532	Anello di tenuta 15x32x7viton	1	
20	GU05055230	Supporto	1	
21	AP8152043	Vite TCEI M4x10	4	

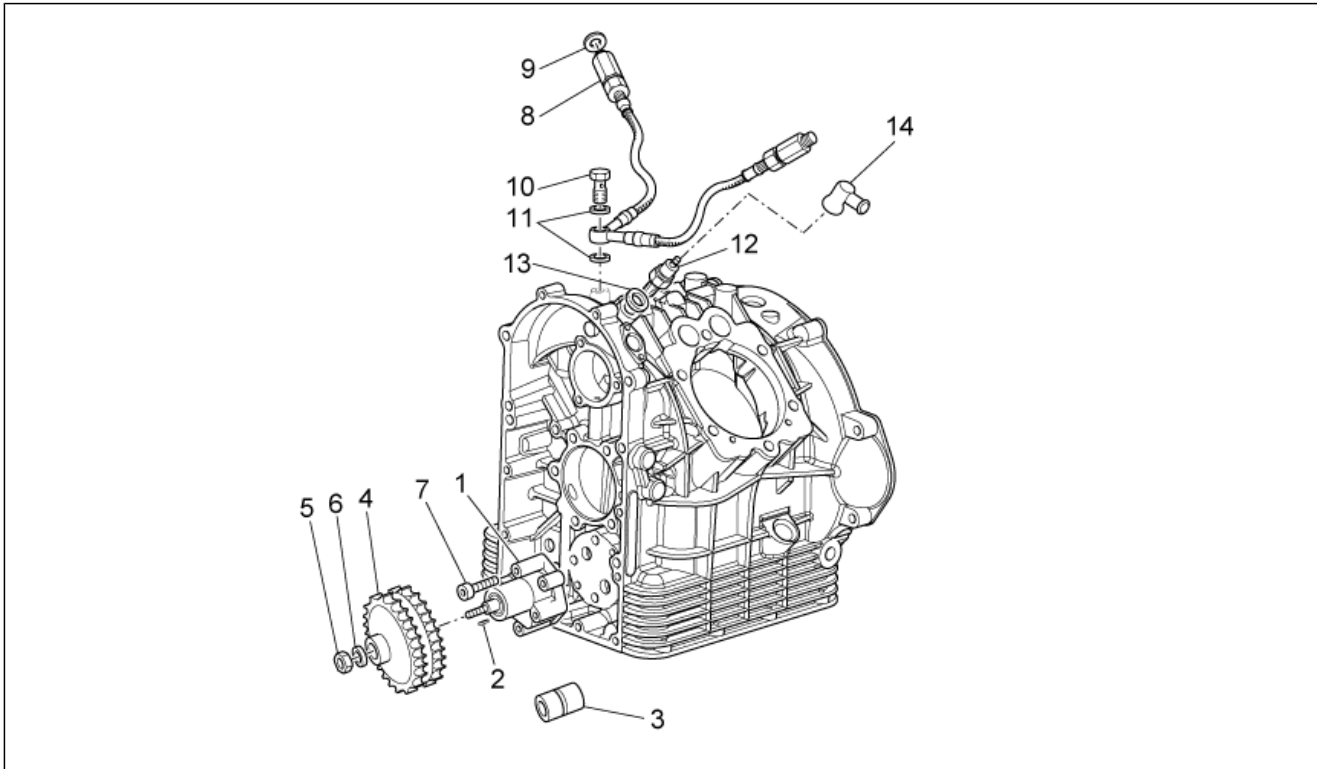


<b>Gruppo</b>	MOTORE
<b>Codice</b>	34.44
<b>Descrizione</b>	Distribuzione
<b>Revisione</b>	1



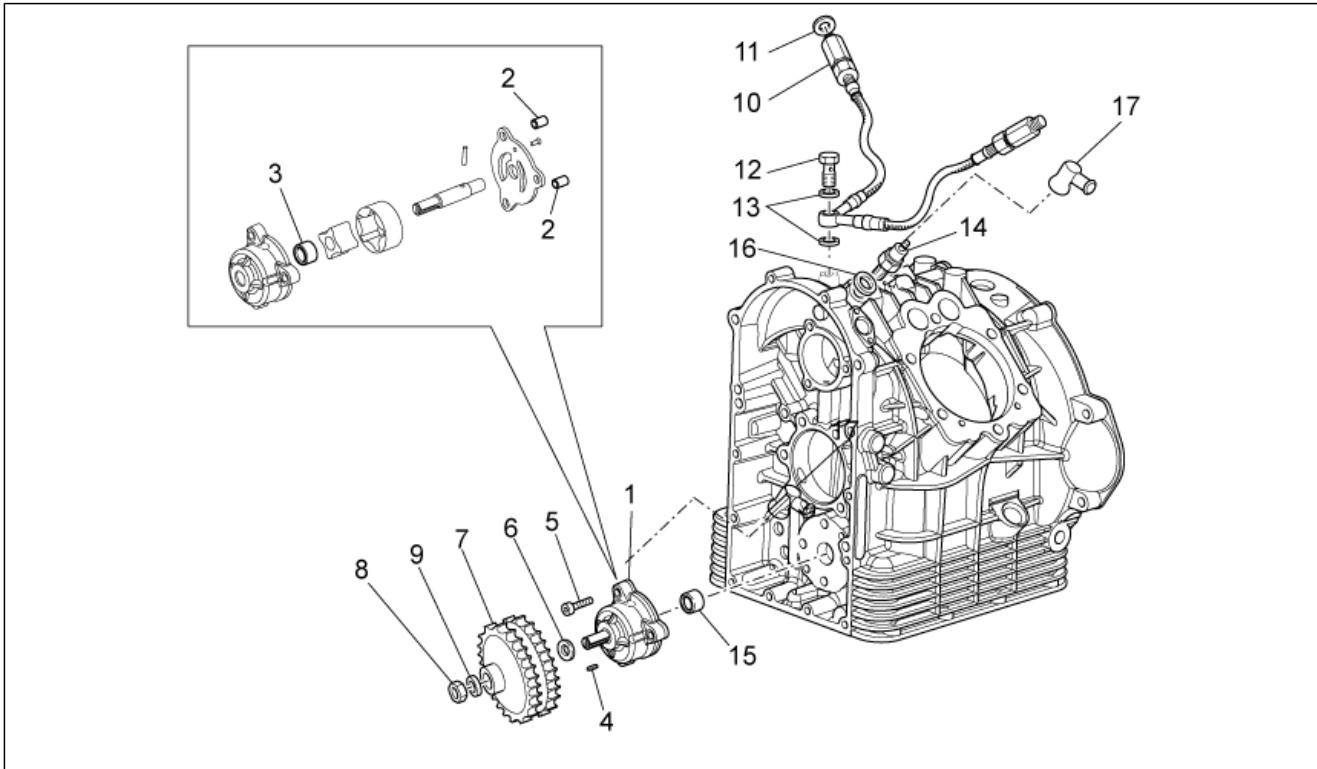
Pos.	Codice	Descrizione	Q.ta	Varianti
22	GU05053530	Disco centrifugo	1	<b>Specifiche Tecniche:</b> Dal motore KP011313[M2], Fino al motore KP013216[M3]
23	GU98250612	Vite TSPEI M6x12	2	<b>Specifiche Tecniche:</b> Dal motore KP011313[M2], Fino al motore KP013216[M3]

<b>Gruppo</b>	MOTORE
<b>Codice</b>	34.45
<b>Descrizione</b>	Pompa olio I
<b>Revisione</b>	1



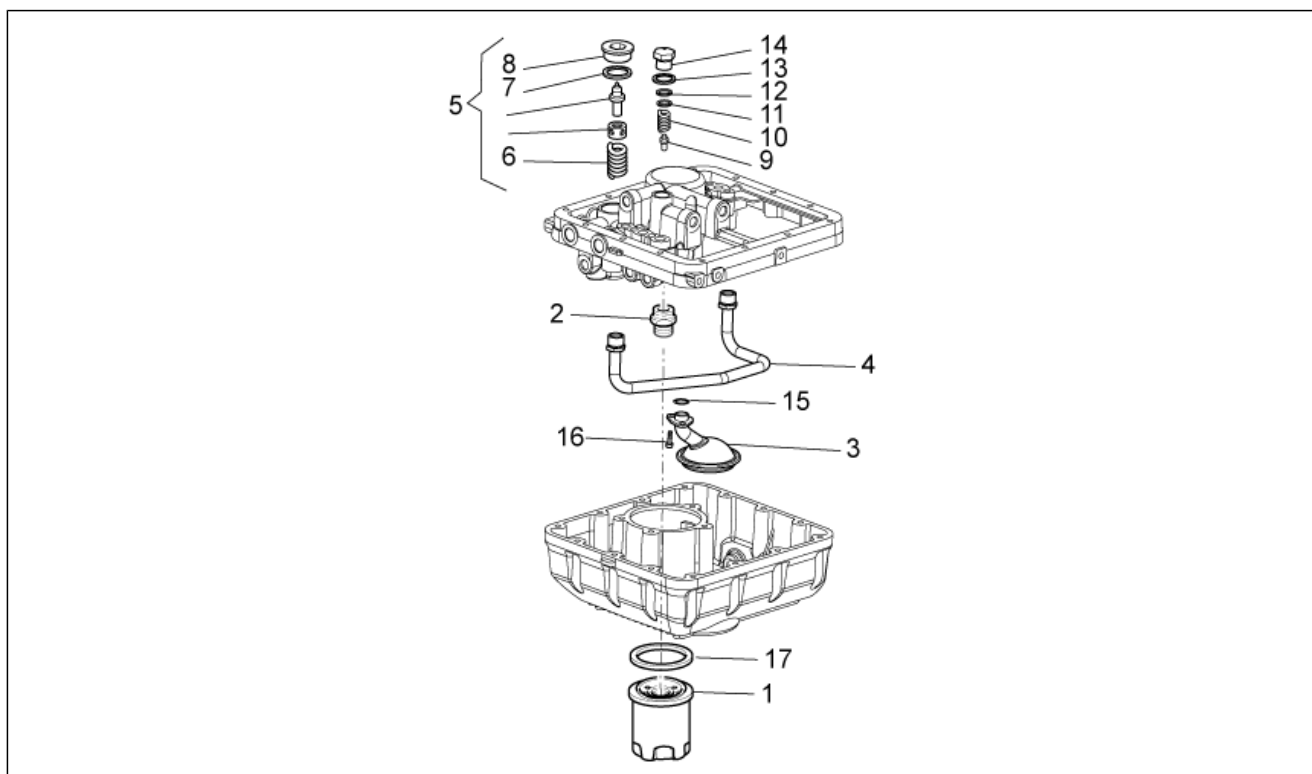
Pos.	Codice	Descrizione	Q.ta	Varianti
1	GU30146400	Pompa olio	1	<b>Specifiche Tecniche:</b> Fino al motore KP15050[M9]
2	GU13148300	Chiavetta	1	
3	GU92252210	Cuscinetto a rulli 10x22x20	1	<b>Specifiche Tecniche:</b> Fino al motore KP15050[M9]
4	GU30147700	Ingran.pompa olio	1	
5	GU92602308	Dado	1	<b>Specifiche Tecniche:</b> Fino al motore KP15050[M9]
6	GU95120085	Rosetta elastica	1	<b>Specifiche Tecniche:</b> Fino al motore KP15050[M9]
7	GU98682430	Vite TCEI M8x30	4	<b>Specifiche Tecniche:</b> Fino al motore KP15050[M9]
8	GU05153630	Tubo mandata olio	1	
9	GU25656102	Guarnizione in alluminio	2	
10	GU95990037	Vite	1	
11	GU12154200	Guarnizione 8,25x15x1	2	
12	GU31768780	Sensore press.olio	1	
13	GU12006400	Guarnizione in alluminio 12,25	1	
14	976688	Cappuccio sensore press.olio	1	

<b>Gruppo</b>	MOTORE
<b>Codice</b>	34.46
<b>Descrizione</b>	Pompa olio II
<b>Revisione</b>	1



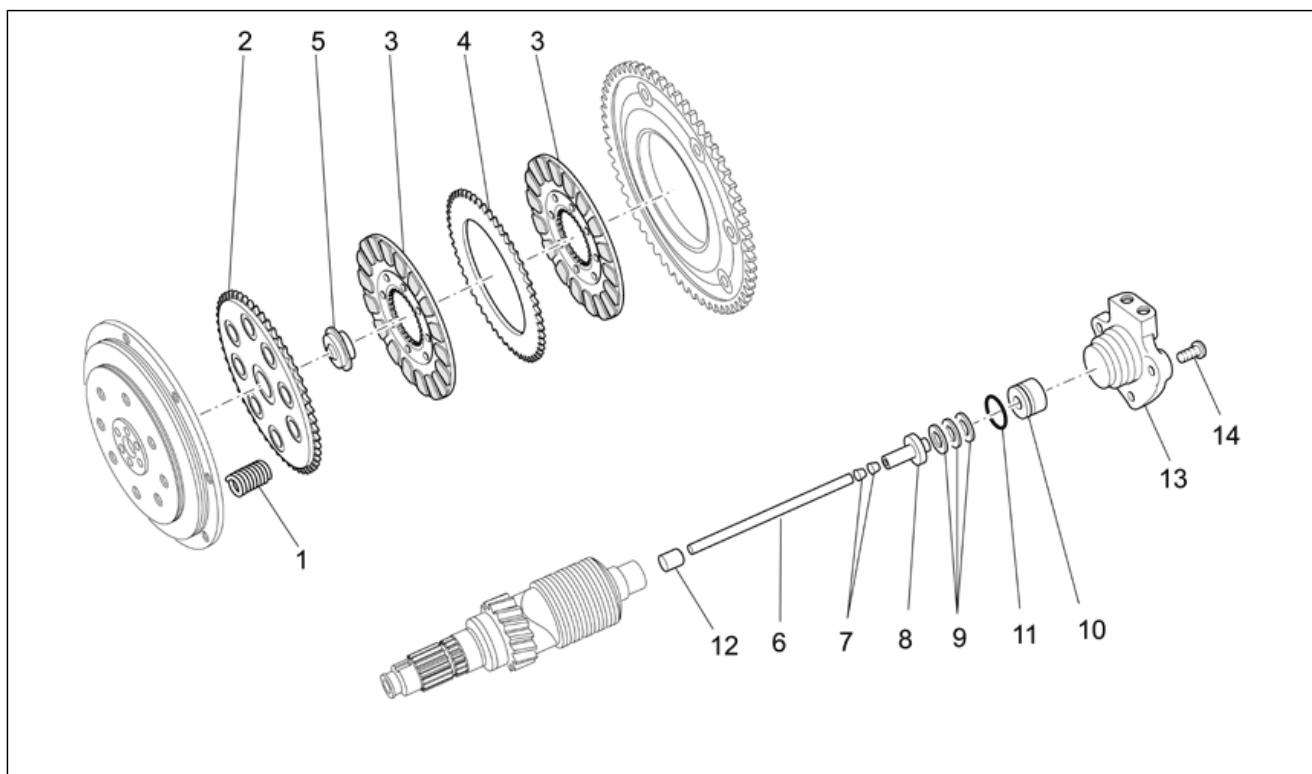
Pos.	Codice	Descrizione	Q.ta	Varianti
1	976134	Pompa olio	1	<b>Specifiche Tecniche:</b> Dal motore KP15051[M10]
2	277916	Grano di riferimento	2	<b>Specifiche Tecniche:</b> Dal motore KP15051[M10]
3	976165	Astuccio a rullini 12x18x12	1	<b>Specifiche Tecniche:</b> Dal motore KP15051[M10]
4	GU13148300	Chiavetta	1	
5	GU98350330	Vite TBEI M6x30	3	<b>Specifiche Tecniche:</b> Dal motore KP15051[M10]
6	976448	Ralla	1	<b>Specifiche Tecniche:</b> Dal motore KP15051[M10]
7	GU30147700	Ingran.pompa olio	1	
8	GU92602510	Dado M10x1,25	1	<b>Specifiche Tecniche:</b> Dal motore KP15051[M10]
9	GU19149800	Rosetta 10,5x16x1	1	<b>Specifiche Tecniche:</b> Dal motore KP15051[M10]
10	GU05153630	Tubo mandata olio	1	
11	GU25656102	Guarnizione in alluminio	2	
12	GU95990037	Vite	1	
13	GU12154200	Guarnizione 8,25x15x1	2	
14	GU31768780	Sensore press.olio	1	
15	976168	Astuccio a rullini 10x14x12	1	<b>Specifiche Tecniche:</b> Dal motore KP15051[M10]
16	GU12006400	Guarnizione in alluminio 12,25	1	
17	976688	Cappuccio sensore press.olio	1	

<b>Gruppo</b>	MOTORE
<b>Codice</b>	34.47
<b>Descrizione</b>	Filtri olio
<b>Revisione</b>	1



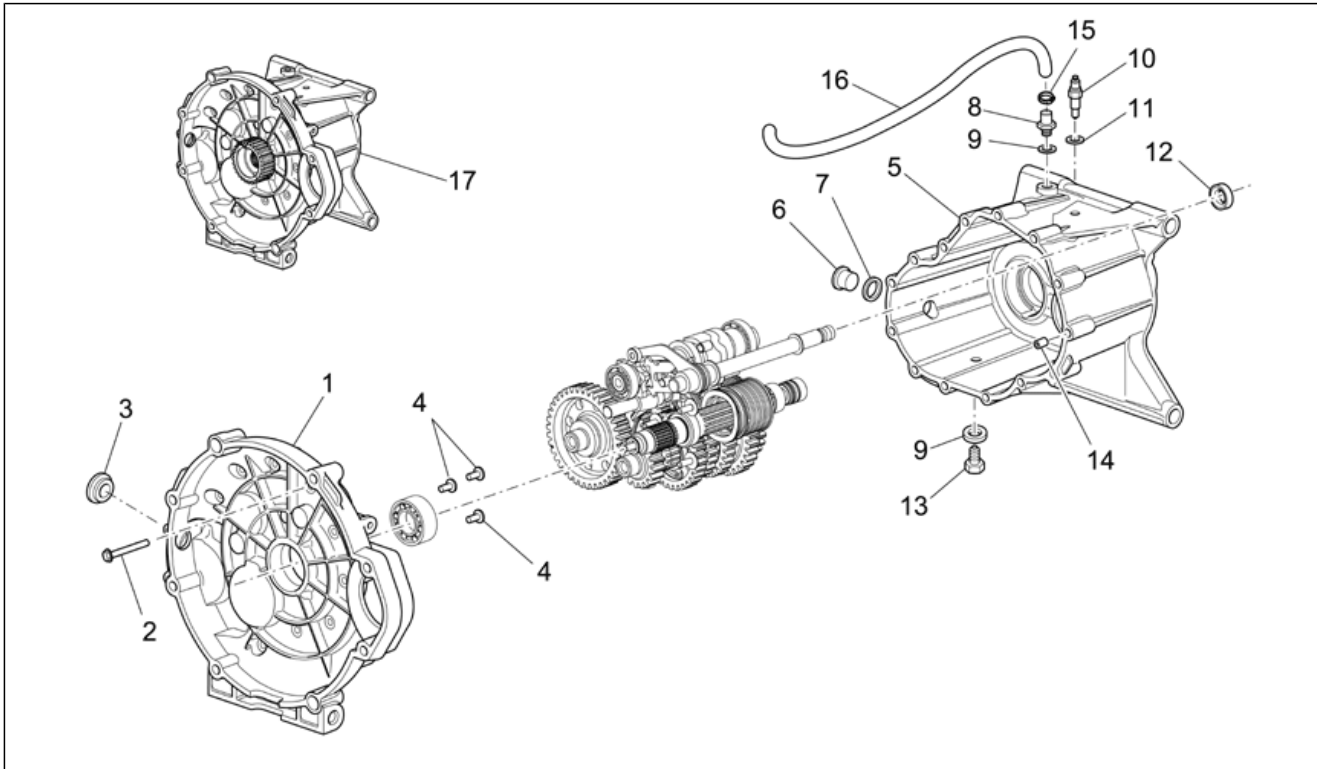
Pos.	Codice	Descrizione	Q.ta	Varianti
1	GU30153000	Filtro olio	1	
2	GU30003800	Raccordo filtro olio	1	
3	GU05152230	Filtro olio	1	
4	GU05005730	Tubo	1	
5	GU01163500	Termostato cpl.	1	
6	GU20164010	Molla	1	
7	GU01163700	Guarnizione in rame	1	
8	GU01163600	Tappo	1	
9	GU30150900	Pistoncino	1	
10	GU94321077	Molla	1	
11	GU95008206	Rosetta 6,15x11x0,8	2	
12	GU30158900	Rosetta	1	
13	GU18144350	Rosetta 18,25x24x1	1	
14	GU31159050	Tappo	1	
15	GU90706151	O-ring 15,08x2,62viton	1	
16	GU98682316	Vite TCEI M6x16	2	
17	981115	Guarnizione	1	<b>Specifiche Tecniche:</b> Rif. Comunicazione tecnica n°...[CT1]

<b>Gruppo</b>	MOTORE
<b>Codice</b>	34.48
<b>Descrizione</b>	Frizione
<b>Revisione</b>	1



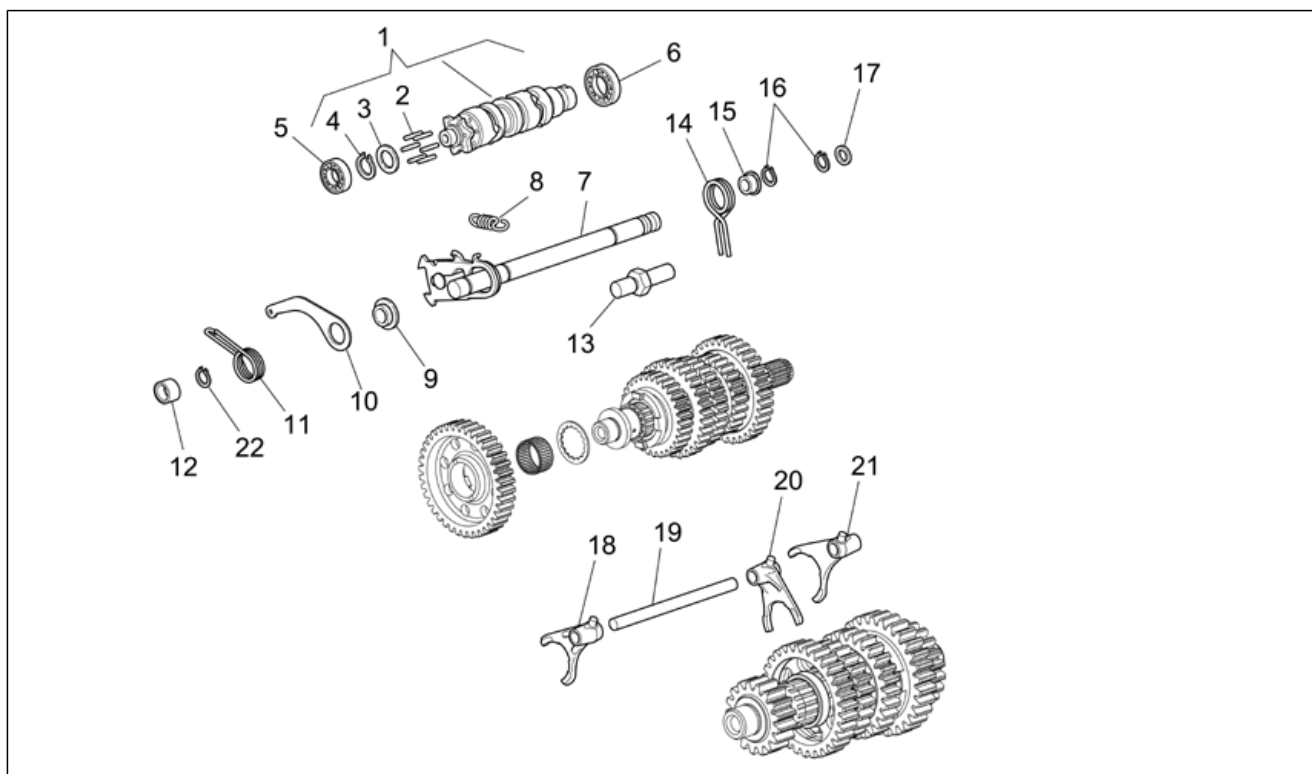
Pos.	Codice	Descrizione	Q.ta	Varianti
1	GU04084100	Molla frizione	10	<b>Specifiche Tecniche:</b> Prima serie[1A]
1	GU04084100	Molla frizione	5	<b>Specifiche Tecniche:</b> Seconda serie[2A]
1	GU13084100	Molla frizione	5	<b>Specifiche Tecniche:</b> Seconda serie[2A], Segno rosso[RS]
2	GU30082900	Piattello	1	
3	GU05084430	Disco frizione cpl.	2	
4	GU12082300	Disco frizione int.	1	
5	GU04082800	Scodellino	1	
6	GU05085730	Asta	1	
7	GU14085900	Bussola	2	
8	GU14086000	Corpo intermedio	1	
9	GU12087001	Cuscinetto reggispinta	1	
10	GU04086100	Cilindro di spinta	1	
11	GU90706170	O-ring 17,13x2,62	1	
12	GU05217630	Boccola	1	
13	GU05086330	Cilindro comando frizione	1	
14	AP8152278	Vite TE flangiata M6x16	3	

<b>Gruppo</b>	MOTORE
<b>Codice</b>	34.49
<b>Descrizione</b>	Scatola cambio
<b>Revisione</b>	1



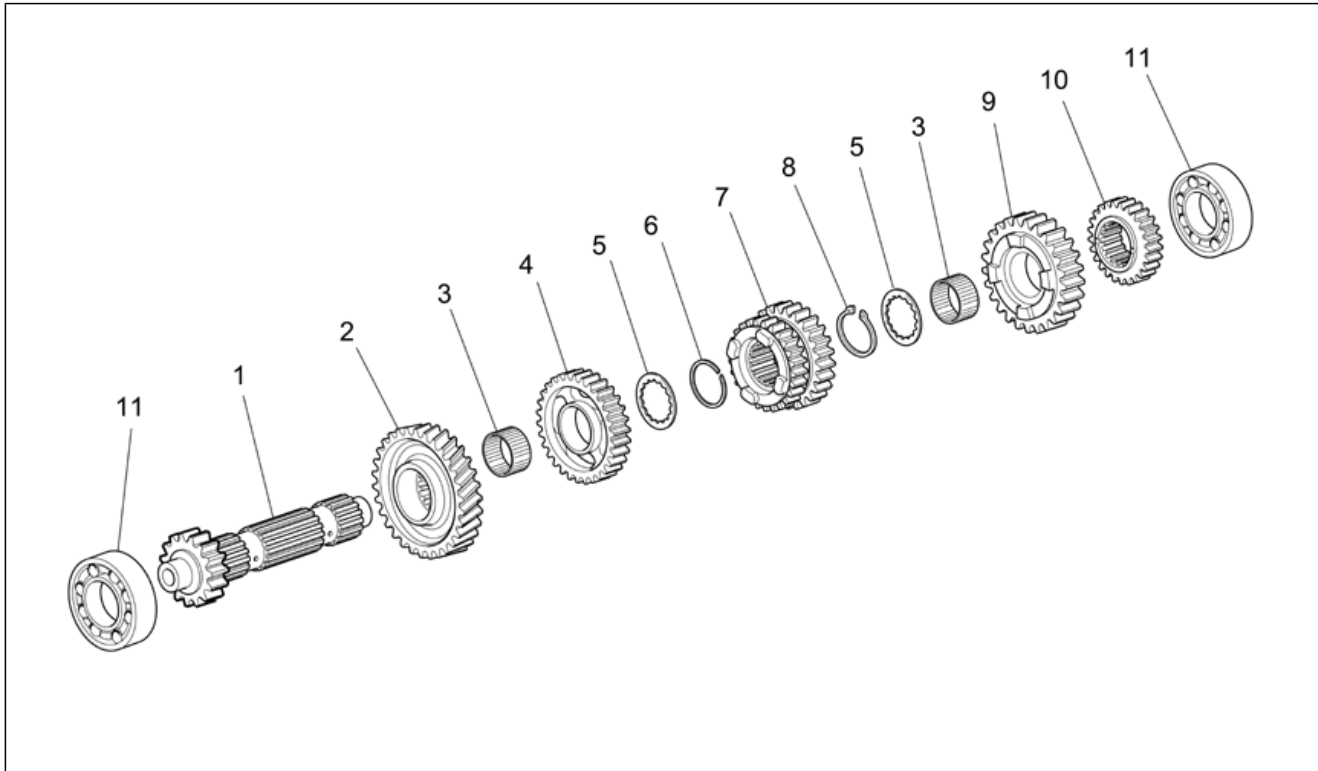
Pos.	Codice	Descrizione	Q.ta	Varianti
1	GU05200531	Campana frizione	1	
2	GU97202355	Vite te flang. M6x55	14	
3	GU93180220	Tappo	1	
4	GU98370616	Vite TBEI M6x16 inox	3	
5	GU05200231	Scatola cambio	1	
6	GU95980319	Tappo olio M18x1,5	1	
7	GU18144350	Rosetta 18,25x24x1	1	
8	GU05204930	Tappo sfiato	1	
9	GU01528930	Guarnizione 10x18x1,5	2	
10	GU19207220	Sensore folle	1	
11	B063025	Guarnizione 8,7x14,2x1,3	1	
12	GU90401424	Anello di tenuta 14x24x7	1	
13	GU31003766	Tappo scarico olio M10x1	1	
14	GU19002020	Boccola 6,6x9x13	2	
15	AP8101595	Fascetta D10,1	1	
16	AP8120952	Tubo benz. 5,5x10	1	
17	GU05991530	Cambio cpl.	1	

<b>Gruppo</b>	MOTORE
<b>Codice</b>	34.50
<b>Descrizione</b>	Selettore cambio
<b>Revisione</b>	1



Pos.	Codice	Descrizione	Q.ta	Varianti
1	GU05234431	Desmodromico cpl.	1	
2	GU05234631	Piolo	6	
3	GU05235531	Spessore	1	
4	GU90271022	Anello Seeger	1	
5	GU92201117	Cuscinetto a sfere 17x35x10	1	
6	GU92201025	Cuscinetto a sfere 25x42x9	1	
7	GU05236231	Preselettore cpl.	1	
8	GU05238231	Molla	1	
9	GU05238431	Boccola	1	
10	GU05234731	Leva Index	1	
11	GU05234130	Molla	1	
12	GU05234230	Distanziale	1	
13	GU05234931	Perno aggancio	1	
14	GU05238331	Molla	1	
15	GU05238131	Distanziale	1	
16	GU90271014	Anello Seeger	2	
17	GU05239330	Ralla	1	
18	GU05230531	Forchetta 1a-3a	1	
19	GU05232431	Albero forchetta	1	
20	GU05232631	Forchetta 5a-6a	1	
21	GU05230831	Forchetta 2a-4a	1	
22	GU90353014	Anello Seeger	1	

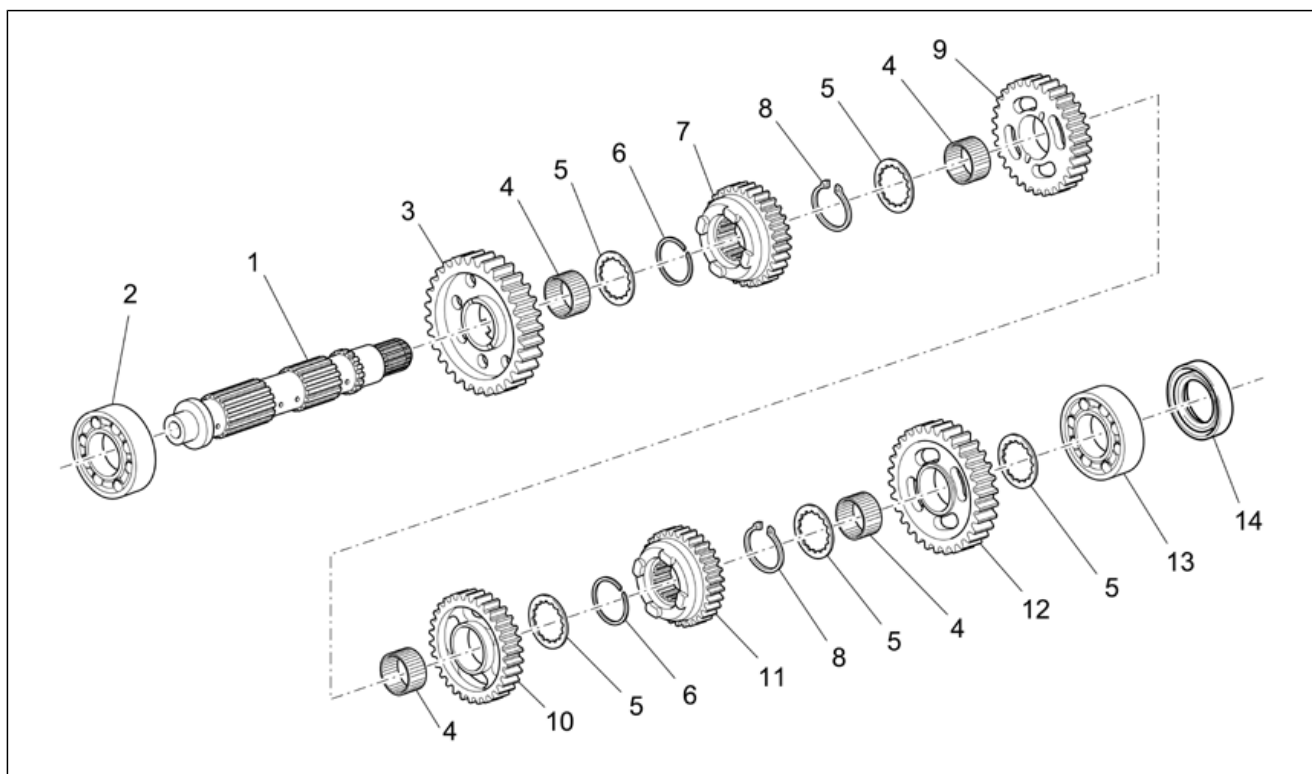
<b>Gruppo</b>	MOTORE
<b>Codice</b>	34.51
<b>Descrizione</b>	Albero primario cambio
<b>Revisione</b>	1



Pos.	Codice	Descrizione	Q.ta	Varianti
1	GU05210631	Albero primario Z=17	1	
2	GU05215631	Ingran.transmissione Z=35	1	
3	GU92252029	Gabbia a rulli 26x30x15,6	2	
4	GU05212031	Ingranaggio 5a Z=31	1	
5	GU05214630	Rosetta di spallamento	2	
6	GU90271230	Anello elastico 30x1,2SW	1	
7	GU05211431	Ingranaggio 3a-4a Z=23-26	1	
8	GU90271030	Anello elastico 30x27,9	1	
9	GU05212631	Ingranaggio 6a Z=29	1	
10	GU05211331	Ingranaggio 2a Z=20	1	
11	GU92201822	Cuscinetto a sfere 20x52x15	2	

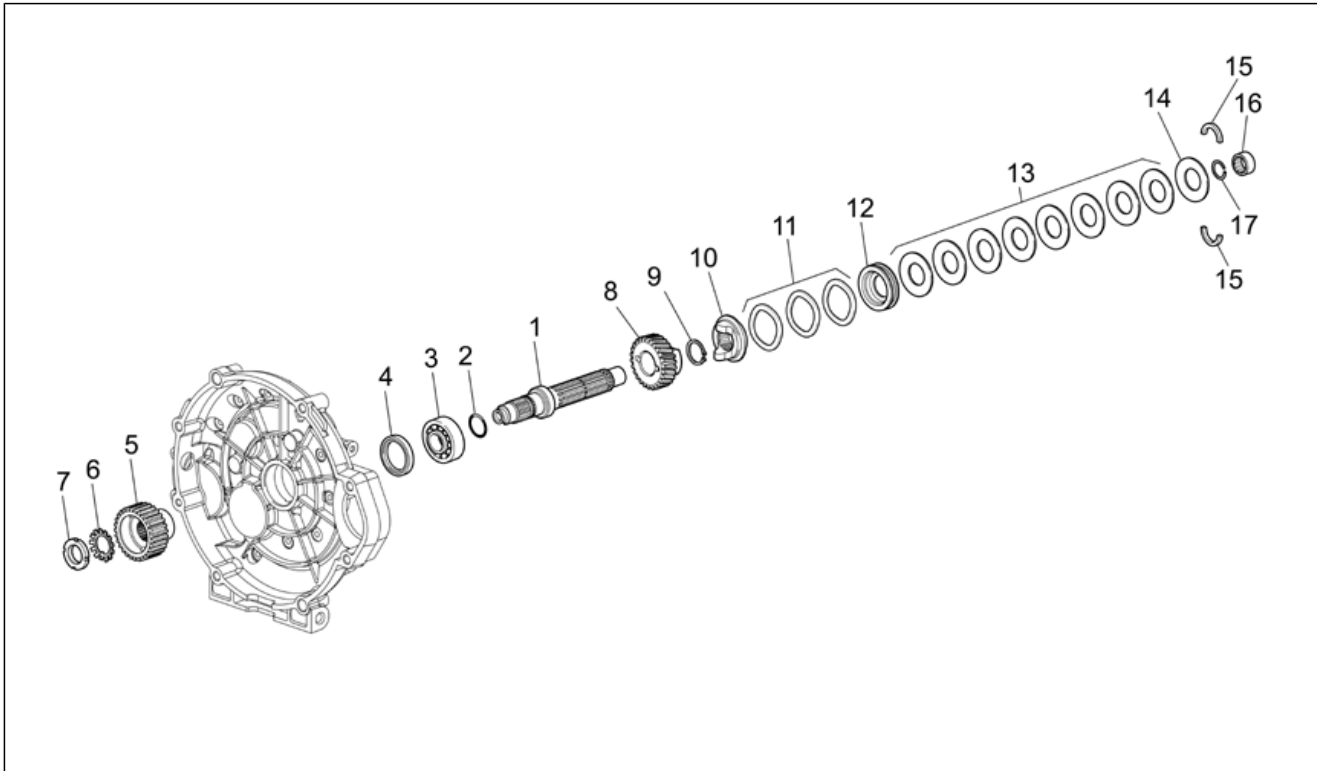


<b>Gruppo</b>	MOTORE
<b>Codice</b>	34.52
<b>Descrizione</b>	Albero secondario
<b>Revisione</b>	1



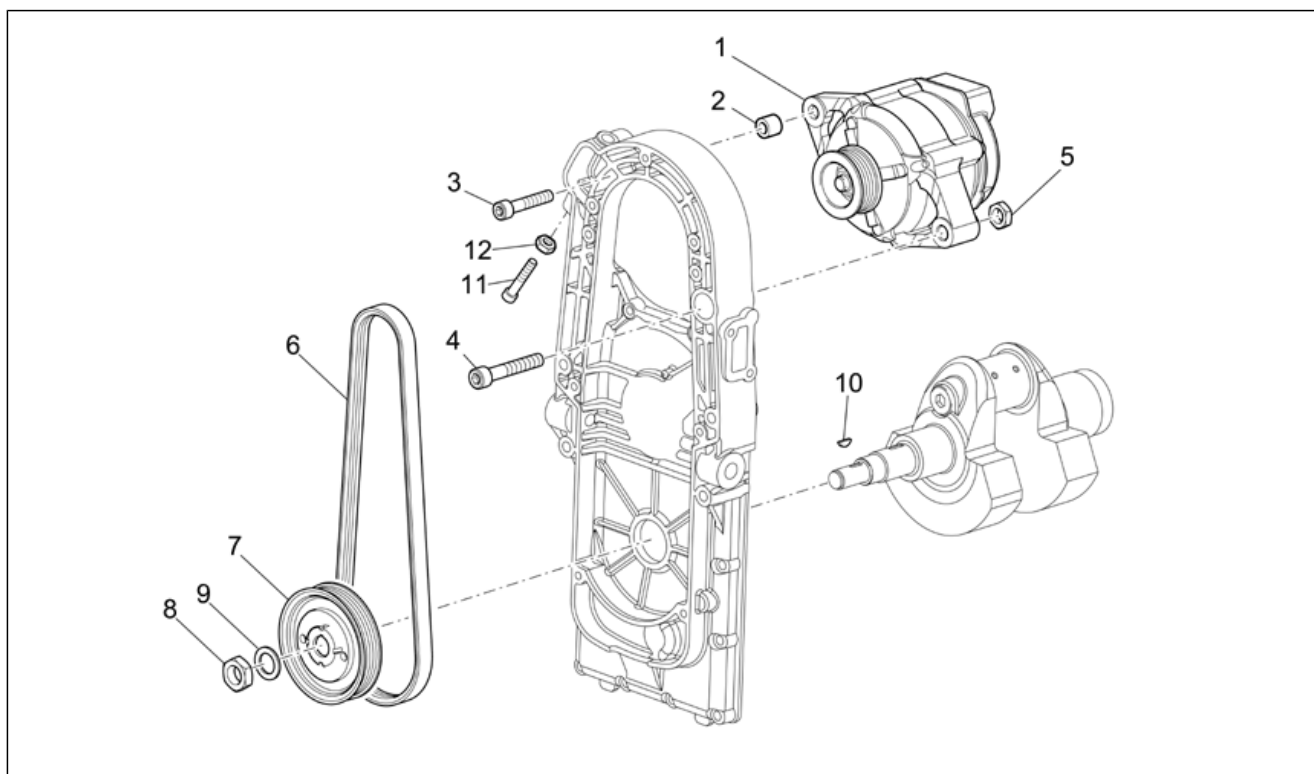
Pos.	Codice	Descrizione	Q.ta	Varianti
1	GU05213631	Albero secondario	1	
2	GU92201822	Cuscinetto a sfere 20x52x15	1	
3	GU05214231	Ingranaggio 1a Z=38	1	
4	GU92252029	Gabbia a rulli 26x30x15,6	4	
5	GU05214630	Rosetta di spallamento	5	
6	GU90271230	Anello elastico 30x1,2SW	2	
7	GU05214031	Ingranaggio 5a Z=30	1	
8	GU90271030	Anello elastico 30x27,9	2	
9	GU05214731	Ingranaggio 3a Z=31	1	
10	GU05215031	Ingranaggio 4a Z=29	1	
11	GU05220531	Ingranaggio 6a Z=25	1	
12	GU05214431	Ingranaggio 2a Z=34	1	
13	GU92201226	Cuscinetto a sfere 25x52x15	1	
14	GU90412541	Anello di tenuta 25X40X7	1	

<b>Gruppo</b>	MOTORE
<b>Codice</b>	34.53
<b>Descrizione</b>	Albero frizione
<b>Revisione</b>	1



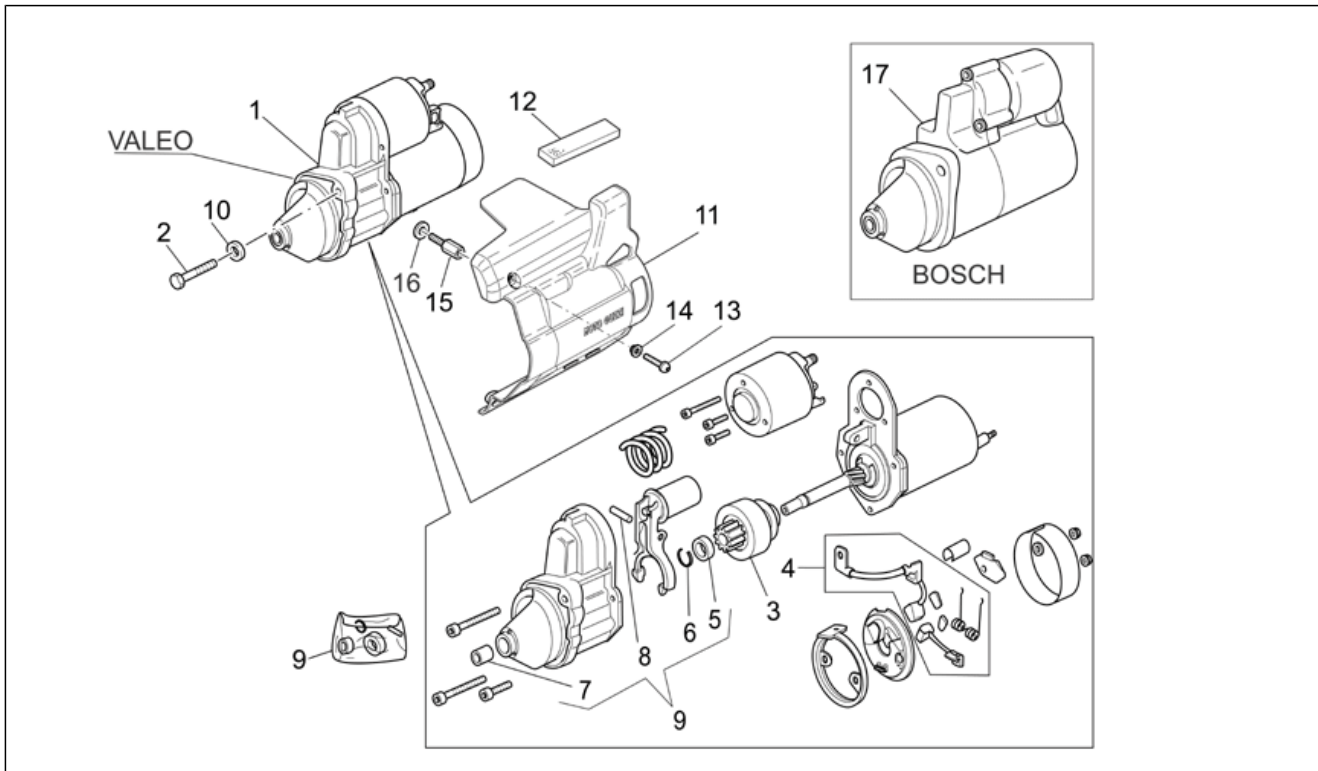
Pos.	Codice	Descrizione	Q.ta	Varianti
1	GU05210731	Albero frizione	1	
2	GU90706203	Anello OR 20,24X2,62	1	
3	GU92201226	Cuscinetto a sfere 25x52x15	1	
4	GU90403549	Anello di tenuta 35x47x7	1	
5	GU05081830	Corpo int.frizione	1	
6	GU95028022	Rosetta 22x20x3,9	1	
7	GU93601022	Ghiera	1	
8	GU05211131	Ingran.rinvio Z=26	1	
9	GU90271125	Anello elastico 25x2	1	
10	GU05211231	Manicotto	1	
11	GU95129340	Rosetta sagomata	3	
12	GU05211030	Piattello	1	
13	GU05211530	Molla a tazza	8	
14	GU05211630	Piattello	1	
15	GU12211700	Semianello	2	
16	GU92232028	Cuscinetto a rulli 20x28x13	1	
17	GU90272028	Anello elastico 28x30,1	1	

<b>Gruppo</b>	MOTORE
<b>Codice</b>	34.54
<b>Descrizione</b>	Generatore di corrente
<b>Revisione</b>	1



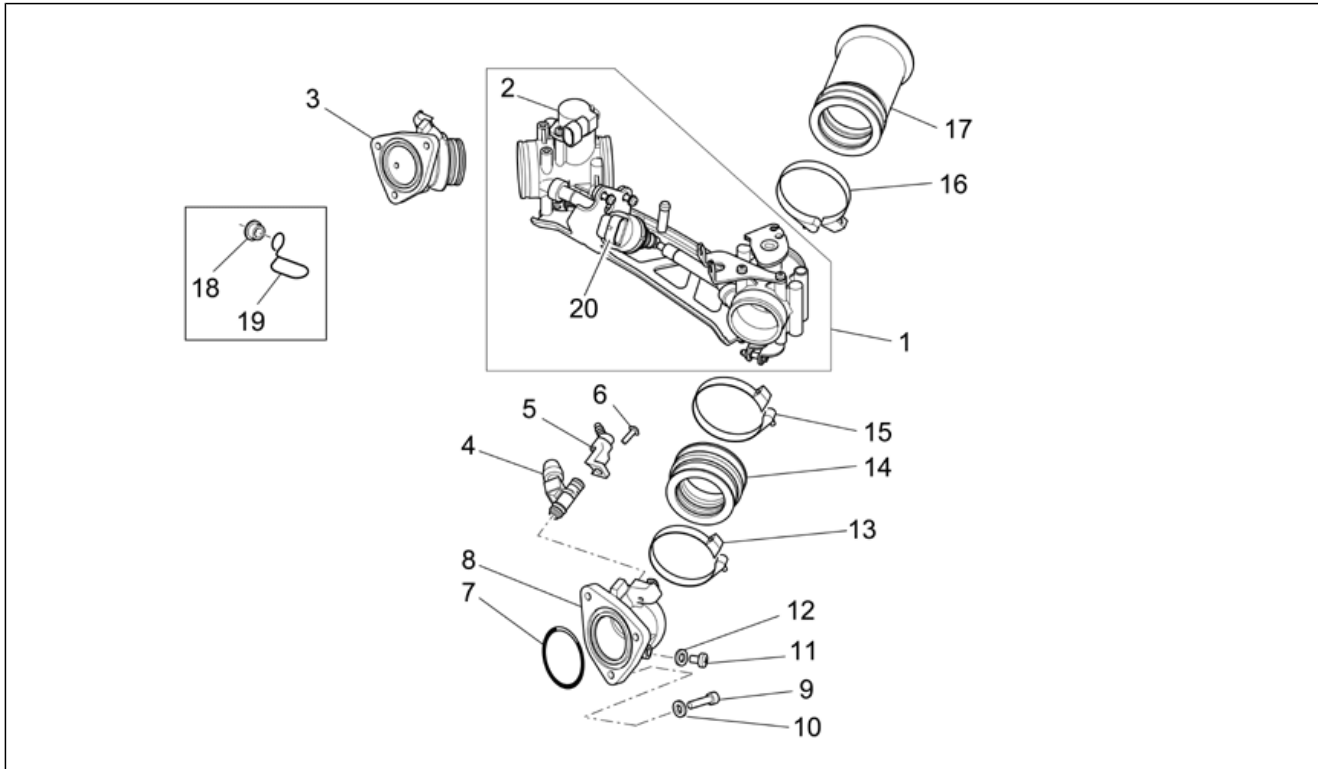
Pos.	Codice	Descrizione	Q.ta	Varianti
1	GU05712431	Alternatore	1	
2	GU91180823	Distanziale 8,5x17x13	1	
3	GU98620445	Vite TCEI M8x45	1	
4	GU98620560	Vite TCEI M10x60	1	
5	GU92660012	Dado M10X1,5	1	
6	GU05702530	Cinghia	1	
7	GU05701430	Puleggia comando alternatore	1	
8	GU92606516	Dado M16	1	
9	GU30714201	Rosetta 16,25x24,5x5	1	
10	AP4FAN000030	Chiavetta volano magnete	1	
11	GU98230850	Vite TBEI M8x50	1	
12	GU92605408	Dado M8x1,25	1	

<b>Gruppo</b>	MOTORE
<b>Codice</b>	34.55
<b>Descrizione</b>	Motorino avviamento
<b>Revisione</b>	1



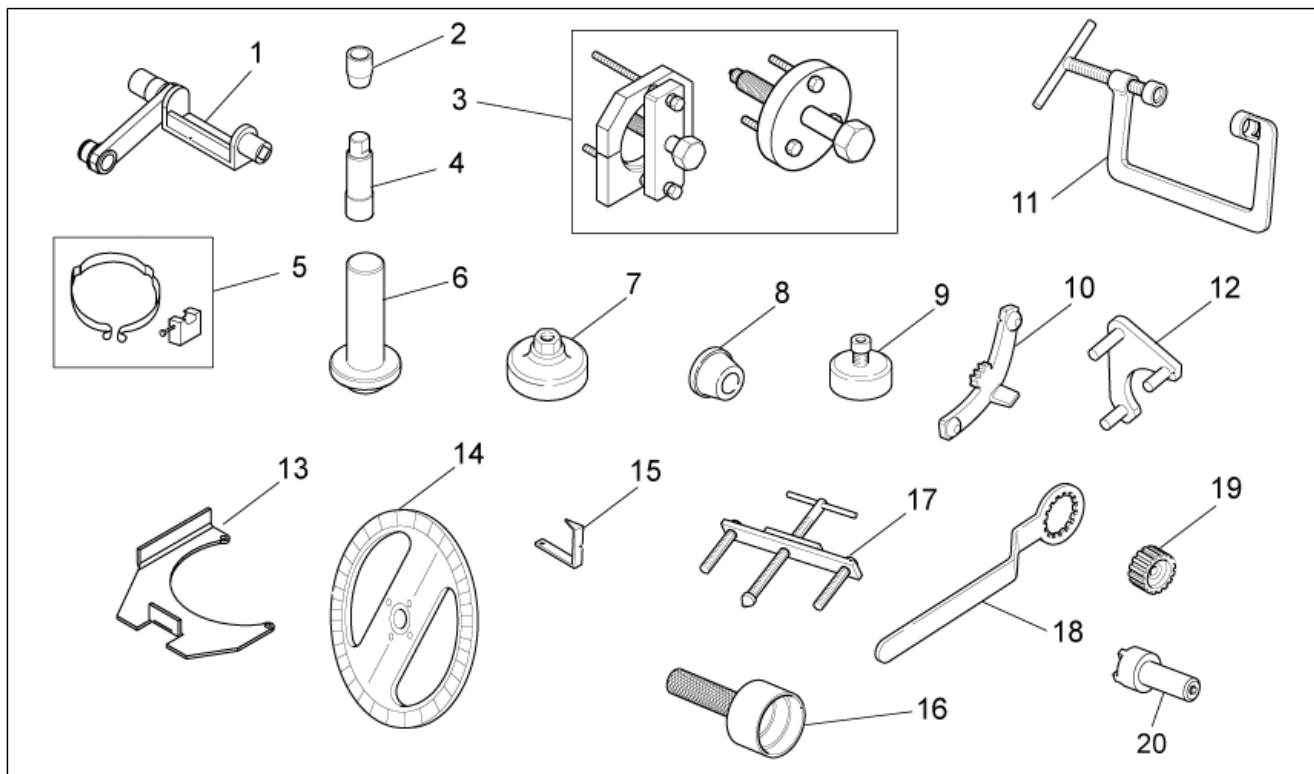
Pos.	Codice	Descrizione	Q.ta	Varianti
1	GU30730711	Motorino avviamento Valeo	1	
2	GU98082475	Vite TE M8x75	2	
3	GU30530510	Pignone cpl.	1	
4	GU30530511	Kit spazzole	1	
5	0000000	Copertura	1	
6	0000000	Copertura	1	
7	0000000	Copertura	1	
8	0000000	Copertura	1	
9	GU30530512	Kit revisione motorino avv.	1	
10	GU95008208	Rosetta 8,4X15X1,5	2	
11	GU05733330	Coperchio grigio	1	
12	AP8117200	Spugna adesiva	1	
13	GU98350312	Vite TBEI M6x12	2	
14	AP8121032	Bussola	2	
15	GU03469201	Colonna	1	
16	GU03013800	Rosetta 6,4x12	1	
17	GU05730730	Motorino avviamento Bosch	1	

<b>Gruppo</b>	MOTORE
<b>Codice</b>	34.56
<b>Descrizione</b>	Corpo farfallato
<b>Revisione</b>	1



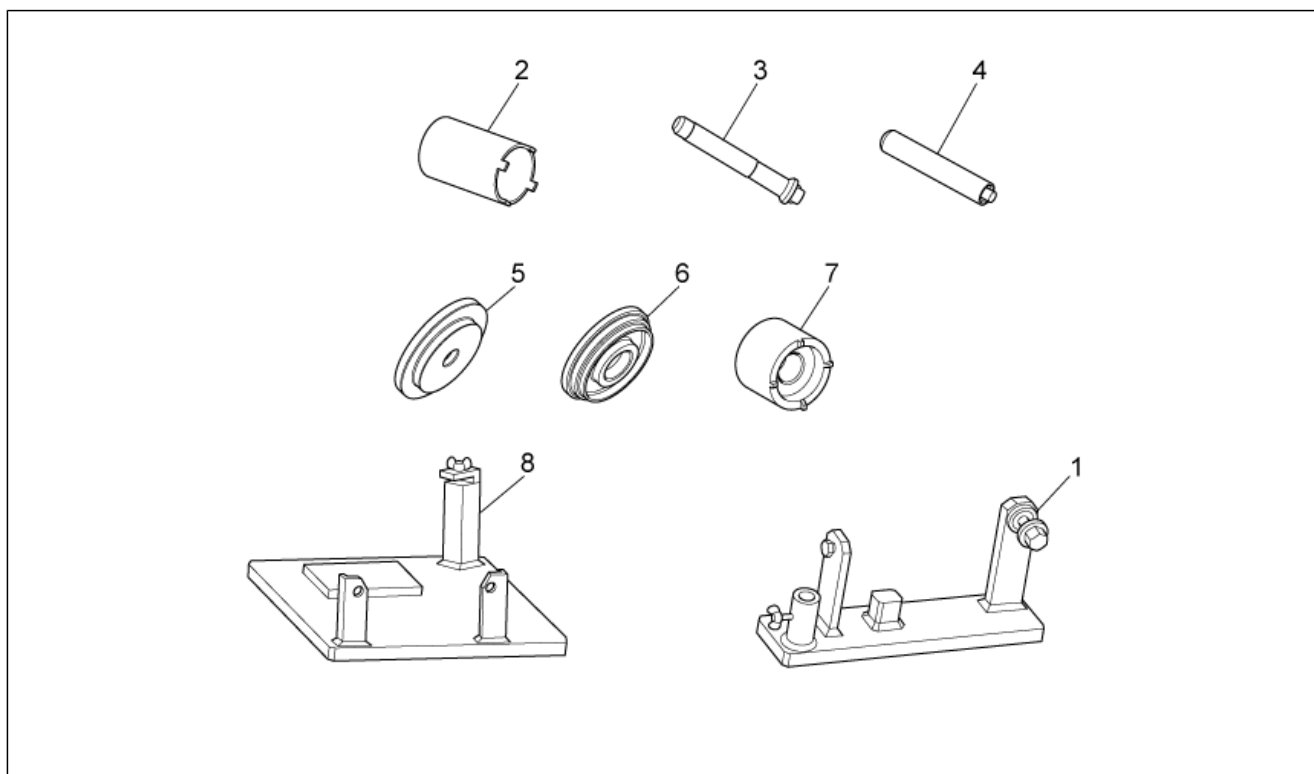
Pos.	Codice	Descrizione	Q.ta	Varianti
1	GU05112530	Gruppo corpi farfallati	1	
2	GU05112830	Potenzimetro	1	
3	GU05115030	Pipa aspirazione dx	1	
4	GU05115730	Iniettore cpl.	2	
5	GU32115610	Cappuccio	2	<b>Specifiche Tecniche:Prima serie[1A]</b>
6	AP8152298	Vite TBEI flangiata M5x16	2	
7	GU90706461	Anello OR 46,04x3,53	2	
8	GU05115031	Pipa aspirazione sx	1	
9	GU98682325	Vite TCEI M6x25	6	
10	GU95008206	Rosetta 6,15x11x0,8	6	
11	GU98350310	Vite TBEI M6x20	2	
12	GU95100116	Rosetta 6,25x10x1,5	2	
13	GU93305057	Fascetta 57x59,5x10	2	
14	GU01114390	Manicotto	2	
15	GU93305061	Fascetta 61/65,5	2	
16	GU93305058	Fascetta	2	
17	GU05114430	Manicotto di aspirazione	2	
18	GU31576183	Distanziale	1	
19	AP8120428	Guidacavo	1	
20	GU05135830	Motorino regolazione minimo	1	

<b>Gruppo</b>	ATTREZZI SPECIALI
<b>Codice</b>	36.58
<b>Descrizione</b>	Attrezzatura specifica I
<b>Revisione</b>	1



Pos.	Codice	Descrizione	Q.ta	Varianti
1	GU05948630	Attrezzo tensionamento cinghia	1	
2	GU05911730	Cono inserimento coperchio ant	1	
3	GU05912530	Attrezzo apertura scat.cambio	1	
4	GU05901930	Chiave candela	1	
5	GU05928030	Stringifasce elastiche pistone	1	
6	GU05927230	Punzone paraolio coperchio dis	1	
7	GU01929100	Coperchio coppa e filtro	1	
8	GU12912000	Flangia su albero motore	1	
9	GU14927100	Tenuta flangia lato volano	1	
10	GU12911801	Blocc.volano/corona avv.	1	
11	GU10907200	Smont./mont.valvole	1	
12	GU14927300	Tenuta ingran.albero camme	1	
13	GU05902530	Supporto per scatola cambio	1	
14	GU19929600	Disco fase distribuz.accens.	1	
15	GU17947560	Freccia fase distribuz.accens.	1	
16	GU19927100	Anello tenuta flangia volano	1	
17	GU12913600	Smont./mont.flangia lato vola.	1	
18	GU30912810	Blocc.corpo int.frizione	1	
19	GU30906510	Montaggio frizione	1	
20	GU14912603	Chiave	1	

<b>Gruppo</b>	ATTREZZI SPECIALI
<b>Codice</b>	36.59
<b>Descrizione</b>	Attrezzatura specifica II
<b>Revisione</b>	1



Pos.	Codice	Descrizione	Q.ta	Varianti
1	GU05902736	Supporto coppia conica	1	
2	AP8140190	Attrezzo per serraggio sterzo	1	
3	GU05902732	Impugnatura per tamponi	1	
4	GU05902733	Tampone tenuta snodo sferico	1	
5	GU05902731	Tampone paraolio scat.trasm 85	1	
6	GU05902735	Tampone paraolio pignone 45x58	1	
7	GU05902734	Chiave per ghiera pignone	1	
8	GU05902730	Supporto scatola trasmissione	1	