



PIAGGIO & C.s.p.a.



## CATALOGO PARTI DI RICAMBIO



### V7 Special 750 2014

Prefisso telaio: ZGULWT01

Prefisso motore:



## Indice

Prodotti finiti.....	4
Indice alfanumerico.....	5
TELAIO.....	10
Tavola 33.01 - Telaio I.....	10
Tavola 33.02 - Telaio II.....	11
Tavola 33.03 - Cavalletto laterale.....	12
Tavola 33.04 - Pedane pilota.....	13
Tavola 33.05 - Pedane passeggero.....	14
Tavola 33.06 - Leva cambio.....	15
Tavola 33.07 - Forcella ant. I.....	16
Tavola 33.08 - Forcella ant. II.....	17
Tavola 33.11 - Ammortizzatore post.....	19
Tavola 33.12 - Serbatoio benzina.....	20
Tavola 33.13 - Carrozzeria ant. - Parafango ant.....	21
Tavola 33.14 - Sella-Carrozzeria cent.....	22
Tavola 33.15 - Carrozzeria post.I - Parafango.....	23
Tavola 33.16 - Carrozzeria post. II- Portatarga.....	24
Tavola 33.17 - Cruschetto.....	25
Tavola 33.18 - Manubrio - Comandi.....	26
Tavola 33.19 - Impianto freno ant.....	27
Tavola 33.21 - Pompa benz.....	28
Tavola 33.22 - Cassa filtro.....	29
Tavola 33.23 - Gruppo scarico.....	31
Tavola 33.24 - Ruota anteriore I.....	33
Tavola 33.25 - Ruota posteriore I.....	34
Tavola 33.26 - Pompa freno post.....	35
Tavola 33.27 - Pinza freno post.....	36
Tavola 33.28 - Fanaleria anteriore.....	37
Tavola 33.29 - Fanaleria posteriore.....	38
Tavola 33.30 - Impianto elettrico I.....	39
Tavola 33.31 - Impianto elettrico II.....	40
Tavola 33.32 - Kit serrature.....	42
Tavola 33.33 - Decalco e Targhette.....	43
Tavola 33.48 - Impianto recupero vapori benzina.....	44
MOTORE.....	45
Tavola 34.09 - Trasmissione posteriore I.....	45
Tavola 34.10 - Trasmissione posteriore II.....	46
Tavola 34.34 - Carter.....	49
Tavola 34.35 - Coperchio distribuzione.....	50
Tavola 34.36 - Testa cilindro.....	51
Tavola 34.37 - Albero motore cpl.....	52
Tavola 34.38 - Distribuzione.....	53
Tavola 34.39 - Pompa olio.....	55



---

Tavola 34.40 - Frizione I.....	56
Tavola 34.41 - Frizione II.....	57
Tavola 34.42 - Scatola cambio.....	58
Tavola 34.43 - Cambio.....	59
Tavola 34.44 - Selettore cambio.....	61
Tavola 34.45 - Alternatore - Regolatore.....	62
Tavola 34.46 - Motorino avviamento.....	63
Tavola 34.47 - Corpo farfallato.....	64



## Prodotti finiti

Codice	Validità
GU9032110AUE00	
GU9032110AUE03	
GU9032110AUE04	
GU9032110EUE00	
GU9032110EUE03	
GU9032110EUE04	
GU9032110GBE00	
GU9032110GBE04	
GU9032110JPE00	
GU9032110JPE03	
GU9032110JPE04	
GU9032110JPF00	
GU9032110JPF03	
GU9032110JPF04	
GU9032110ZCE00	
GU9032110ZCE03	



Codice	N.Tavola	Pos.	Codice	N.Tavola	Pos.	Codice	N.Tavola	Pos.
080341	33.30	6	856063	33.48	14	8872754	34.36	2
248419	33.26	19	857206	34.45	4	887279	34.36	24
254485	33.15	4	860138	33.48	7	887431	33.27	3
254485	33.22	14	860651	34.09	19	887443	33.33	9
254485	33.23	20	874567	34.37	14	887448	33.25	12
254485	33.28	20	880260	34.47	4	887449	33.27	1
254485	34.45	10	883011	34.09	11	887481	33.30	12
2A000085	34.35	1	883015	33.05	13	887483	34.36	25
2A000097	34.42	2	883019	33.05	12	887523	34.36	9
2A000098	34.42	1	883051	33.04	1	887528	34.38	27
2A0000995	34.37	1	883052	33.04	2	887787	33.21	5
2A000106	34.40	8	883127	33.22	6	887812	34.47	14
2A000115	34.45	6	883161	33.31	11	887815	33.22	13
2A000129	34.45	7	883192	33.27	7	887825	33.30	1
2A000146	34.38	1	883266	33.13	2	887825	33.31	1
2A000147	34.38	2	883293	33.23	15	887826	33.28	4
2A0002355	34.34	1	883294	33.23	4	887826	33.29	4
2B000045	33.22	27	883295	33.14	5	887827	33.28	5
2B000176	33.23	11	883297	33.23	13	887827	33.29	5
2B000177	33.23	10	883298	33.23	14	887837	33.01	1
2B000348	33.05	13	883303	33.19	13	8878421	33.22	1
2B000349	33.05	12	883349	33.25	8	887843	33.22	2
2B000559	33.07	1	883350	33.25	7	887844	33.22	11
2B000840	33.14	16	883417	33.28	18	887845	33.22	12
2B000878	33.14	9	883470	33.16	6	887846	33.23	1
2B000970	33.21	2	883476	33.32	3	887847	33.23	2
2B000971	34.47	19	883477	33.32	1	887851	33.06	1
2B000972	34.47	20	883480	33.16	9	887852	33.18	4
2D000006	33.32	10	883502	33.12	5	887853	33.18	5
2D000024	34.45	1	883569	33.17	11	887873	33.32	1
2D000043	34.45	2	883598	33.33	7	887874	33.32	3
2G000013	33.33	16	883688	33.24	10	887877	33.29	1
2H000019000XN2	33.12	1	883704	33.23	25	887878	33.08	1
2H000020000XN2	33.12	1	883802	33.18	10	887879	33.08	2
2H000021000XN2	33.14	10	883826	34.34	18	887880	33.08	3
2H000022000XN2	33.14	17	884029	34.47	11	887882	33.08	5
2H000023	33.33	14	884031	34.42	6	887883	33.08	6
2H000024	33.33	13	884032	34.40	14	887884	33.08	7
2H000025	33.33	4	884035	33.11	1	887885	33.08	8
2H000026	33.33	12	884038	34.40	7	887886	33.08	9
2H000027	33.33	5	884039	34.39	7	887887	33.08	10
2H000028	33.33	6	884310	34.47	15	887888	33.08	11
2H000076000YE5	33.12	1	884311	34.47	13	887889	33.08	12
2H000077000YE5	33.12	1	886141	33.33	15	887890	33.08	13
2H000078000YE5	33.14	10	886340	33.33	1	887891	33.08	14
2H000079000YE5	33.14	17	88635200XN2	33.13	1	887892	33.08	15
2H000080	33.33	14	886364	34.42	3	887893	33.08	16
2H000081	33.33	13	886365	34.34	10	887894	33.08	17
2H000082	33.33	4	886629	34.40	20	887895	33.08	18
2H000083	33.33	12	886670	34.37	11	887896	33.08	19
2H000084	33.33	5	886679	33.24	18	887898	33.08	21
2H000085	33.33	6	886680	33.25	20	887899	33.08	22
2L0001895	34.34	28	887002	34.36	10	887900	33.08	23
2Q000043	33.33	10	887003	34.35	2	887901	33.08	24
2Q000045	33.33	10	887004	34.34	13	887902	33.08	25
2Q000054	33.33	10	887005	34.42	10	887903	33.08	26
2R000109	33.08	29	887006	34.42	15	887904	33.08	27
2R000110	33.08	4	887093	34.39	9	887905	33.08	28
584211	33.31	10	887194	33.17	1	887908	33.26	26
638733	33.31	6	887195	33.17	1	887910	33.26	1
641040	33.30	8	887196	34.44	8	887911	33.26	24
641541	34.39	8	887207	33.12	1	887912	33.08	30
641725	33.30	7	887235	34.42	17	887913	33.08	31
641901	33.30	4	8872690001	34.37	10	887914	33.08	32
642034	33.30	3	8872690002	34.37	10	887915	33.08	33
658837	33.26	11	8872690003	34.37	10	887916	33.08	34
832029	33.30	14	8872724	34.36	1	887930	33.33	2



Codice	N.Tavola	Pos.	Codice	N.Tavola	Pos.	Codice	N.Tavola	Pos.
887931	33.33	3	AP8120446	33.48	9	AP8152281	34.45	9
88793900A1	33.14	1	AP8120455	33.22	9	AP8152286	33.24	11
887944	33.12	1	AP8120557	33.12	11	AP8152287	33.02	13
887948	33.30	13	AP8120615	33.22	10	AP8152288	33.02	15
887952	33.26	27	AP8120772	33.22	20	AP8152288	33.27	9
890760	33.22	16	AP8120870	33.23	24	AP8152298	33.26	18
890979	33.28	16	AP8120876	33.22	8	AP8152298	34.47	6
893570	33.31	19	AP8120912	33.06	2	AP8152299	33.15	14
894505	33.25	13	AP8120912	33.26	2	AP8152299	33.27	22
894704	33.31	26	AP8121014	33.03	3	AP8152299	33.30	5
895839	33.33	8	AP8121032	33.15	13	AP8152299	33.48	5
896110	33.23	21	AP8121032	33.17	7	AP8152300	33.02	14
897478	34.45	3	AP8121072	33.23	22	AP8152300	33.27	13
898164	33.11	3	AP8121133	33.05	6	AP8152306	33.16	5
967356	33.03	6	AP8121267	33.48	10	AP8152329	33.15	11
969973	34.36	26	AP8121307	33.07	4	AP8152329	33.22	18
976604	34.34	12	AP8121367	33.02	10	AP8152339	33.14	14
976608	34.10	1	AP8121375	33.03	2	AP8152385	33.19	16
976685	34.34	16	AP8121420	33.14	7	AP8152409	33.04	9
976898	34.36	20	AP8121420	33.32	8	AP8152409	33.05	9
976941	34.09	1	AP8121566	33.04	8	AP8181140	33.31	24
976992	34.42	21	AP8121566	33.05	4	AP8201358	33.22	3
977527	33.14	6	AP8121673	33.12	12	AP8201358	33.22	34
977527	33.32	4	AP8121915	33.19	14	AP8201358	33.48	13
978311	33.28	2	AP8121915	33.27	8	AP8213028	33.18	23
978323	33.19	15	AP8124718	33.16	7	AP8213057	33.26	15
978385	33.23	12	AP8124936	33.30	2	AP8213388	33.18	18
978415	33.14	8	AP8127856	33.03	8	AP8213575	33.27	23
978415	33.32	9	AP8133643	33.26	14	AP8220283	33.31	22
978570	33.18	10	AP8133798	33.27	2	AP8220460	33.07	6
978662	33.28	2	AP8133799	33.27	11	AP8221023	33.22	26
978940	33.14	10	AP8133800	33.27	12	AP8221114	33.48	16
978943	33.14	17	AP8134378	33.23	18	AP8221197	33.03	5
978946	33.15	1	AP8134448	33.16	2	AP8221277	33.04	6
97894600XN2	33.15	1	AP8134451	33.05	5	AP8224164	33.16	3
978947	33.15	2	AP8144007	33.26	4	AP8224462	33.31	21
978949	33.16	1	AP8144071	33.23	16	B016796	34.47	5
978951	33.01	12	AP8144071	34.36	23	B043850	33.31	23
978952	33.01	16	AP8144081	33.07	5	B063016	34.37	13
978960	33.18	1	AP8144146	33.07	3	B063022	33.23	3
978969	33.26	3	AP8144538	33.22	15	B063049	34.47	2
978970	33.26	13	AP8144553	33.22	7	B063077	33.24	5
981149	33.28	12	AP8144729	33.22	17	B063078	33.25	11
AP8101594	33.26	20	AP8145034	33.04	3	B063086	33.03	1
AP8101595	33.12	10	AP8145035	33.04	10	B063099	34.36	19
AP8101861	33.05	7	AP8149034	33.16	11	B063111	34.36	6
AP8102159	33.48	6	AP8150204	33.27	19	B063132	33.04	13
AP8102375	33.14	15	AP8150248	33.16	13	B063135	33.18	6
AP8102375	33.31	14	AP8150285	34.42	27	B063144	33.24	3
AP8102524	33.03	4	AP8150349	33.17	10	B063167	33.15	12
AP8102678	33.48	1	AP8150349	33.32	6	B063197	33.02	1
AP8102688	33.48	2	AP8150377	33.28	13	B063198	33.02	2
AP8102765	33.22	24	AP8150377	33.31	20	B063213	33.22	30
AP8102766	33.22	23	AP8150436	33.02	12	B063214	33.22	21
AP8102913	33.14	3	AP8150450	33.14	12	B063233	33.31	5
AP8104525	33.22	5	AP8150509	33.22	19	B063269	34.42	11
AP8104924	33.22	4	AP8152043	33.27	18	B063287	33.01	4
AP8104996	33.22	28	AP8152220	33.02	11	B063342	34.42	20
AP8113003	33.27	20	AP8152220	34.39	18	B063427	33.18	3
AP8113241	33.26	22	AP8152268	33.16	12	B063431	33.14	11
AP8113288	33.26	16	AP8152273	33.21	4	B063443	33.26	28
AP8113553	33.26	23	AP8152277	33.04	7	B063465	34.37	15
AP8120246	34.09	10	AP8152277	33.05	8	B063466	34.37	16
AP8120311	33.01	13	AP8152277	33.19	3	B063702	33.24	1
AP8120416	33.30	18	AP8152278	33.11	2	B063704	33.25	1
AP8120416	33.31	27	AP8152278	33.15	3	B063735	33.28	14
AP8120416	33.48	11	AP8152279	33.15	9	B063735	33.29	6



Codice	N.Tavola	Pos.	Codice	N.Tavola	Pos.	Codice	N.Tavola	Pos.
B063749	33.11	1	GU10214302	34.43	27	GU19214660	34.43	11
B063750	33.27	6	GU10214303	34.43	27	GU19215460	34.43	3
B063752	33.21	1	GU10214304	34.43	27	GU19234600	34.44	2
B063854	33.23	1	GU10214305	34.43	27	GU19237800	34.42	13
B063855	33.23	2	GU10528900	34.34	15	GU19327601	34.09	5
B063975	33.18	15	GU10528900	34.40	13	GU19328801	34.09	3
CM0074C9	33.30	10	GU10528900	34.42	23	GU19350700	34.10	22
CM0074D0	33.30	9	GU12003702	34.34	20	GU19351100	34.10	4
CM013202	33.31	25	GU12022600	34.10	6	GU19351900	34.10	2
CM225705	33.31	15	GU12022600	34.42	24	GU19352300	34.10	23
CM225710	33.31	16	GU12087001	34.41	9	GU19353500	34.10	24
CM225715	33.31	17	GU12154200	34.34	23	GU19355200	34.10	35
CM225730	33.31	18	GU12154200	34.42	12	GU19355202	34.10	36
CM228303	34.47	1	GU13021900	34.34	26	GU19355300	34.10	33
CM228304	34.47	1	GU13021900	34.36	12	GU19355301	34.10	33
GU00823923140	33.03	7	GU14086000	34.41	10	GU19355302	34.10	33
GU00823923140	33.22	32	GU14086100	34.41	7	GU19355303	34.10	33
GU00823923140	33.48	12	GU14090201	34.41	1	GU19355304	34.10	33
GU00823931055	33.28	19	GU14090400	34.41	2	GU19355305	34.10	33
GU00823931070	33.12	14	GU14217901	34.40	6	GU19355306	34.10	33
GU00823944050	33.12	13	GU14217901	34.42	7	GU19355307	34.10	33
GU00823950050	33.26	21	GU14217901	34.44	17	GU19355308	34.10	33
GU01528930	34.10	9	GU14609650	33.30	18	GU19355309	34.10	33
GU01609630	33.18	14	GU14609650	33.31	27	GU19355320	34.10	27
GU01654630	33.19	17	GU14615901	33.05	15	GU19355321	34.10	27
GU01659130	33.19	11	GU14615901	33.13	5	GU19355322	34.10	27
GU01659131	33.19	12	GU14615901	34.09	20	GU19355323	34.10	27
GU01665410	33.26	25	GU14615901	34.37	5	GU19355324	34.10	27
GU02717450	33.30	11	GU14616150	33.24	15	GU19355325	34.10	27
GU03013800	33.06	7	GU14616150	33.25	10	GU19355326	34.10	27
GU03013800	33.23	8	GU18144350	34.39	16	GU19355327	34.10	27
GU03013800	34.47	10	GU18161150	34.39	21	GU19355328	34.10	27
GU03067730	34.10	19	GU18257551	33.26	8	GU19355329	34.10	27
GU03101600	33.12	7	GU19002020	34.35	5	GU19355400	34.10	21
GU03101720	33.12	5	GU19002020	34.42	16	GU19355402	34.10	21
GU03101900	33.12	3	GU19003800	34.34	8	GU19355404	34.10	21
GU03102200	33.12	6	GU19007700	34.45	8	GU19355406	34.10	21
GU03102400	33.12	2	GU19015020	34.34	5	GU19355408	34.10	21
GU03103200	33.12	8	GU19017000	33.02	4	GU19355410	34.10	21
GU03103500	33.12	4	GU19018920	34.39	10	GU19355411	34.10	21
GU03163330	33.31	3	GU19021360	34.36	18	GU19355412	34.10	21
GU03270300	33.27	10	GU19021920	34.36	7	GU19355413	34.10	21
GU03604845	33.19	8	GU19025280	33.23	5	GU19356700	34.10	30
GU03605645	33.19	9	GU19025460	33.23	6	GU19356760	34.41	16
GU03609600	33.18	14	GU19027500	34.38	15	GU19356801	34.10	28
GU03612040	33.24	16	GU19030500	34.38	7	GU19357660	34.10	25
GU03631250	33.24	4	GU19032080	34.38	10	GU19547000	34.09	12
GU03631250	33.25	9	GU19032980	34.36	17	GU20085720	34.41	13
GU03658201	33.27	16	GU19032980	34.38	14	GU20147710	34.39	17
GU03658330	33.27	17	GU19034000	34.38	8	GU20147810	34.39	3
GU03658430	33.27	14	GU19037820	34.36	8	GU20148410	34.39	4
GU03660145	33.19	1	GU19045861	34.38	25	GU20148610	34.39	5
GU03661145	33.19	6	GU19055700	34.38	23	GU20208520	34.44	9
GU03664045	33.19	7	GU19058021	34.38	19	GU20258221	33.06	9
GU03740930	33.29	2	GU19058220	34.38	20	GU20352421	34.10	31
GU03749845	33.19	5	GU19062261	34.37	4	GU20355121	34.10	34
GU03922280	34.09	23	GU19065400	34.37	2	GU23204471	34.40	21
GU03995730	33.33	16	GU19067700	34.37	18	GU23204571	34.40	22
GU05107430	33.21	3	GU19083462	34.40	2	GU23211372	34.43	8
GU05659230	33.19	10	GU19146422	34.39	1	GU23217800	34.38	3
GU05730730	34.46	1	GU19152200	34.39	11	GU23328081	34.09	7
GU05781630	33.16	14	GU19202320	34.42	9	GU23548080	34.09	8
GU05900130	33.33	11	GU19203460	34.40	11	GU23548180	34.09	9
GU06740400	33.28	17	GU19206501	34.10	10	GU23922210	33.17	12
GU10054100	34.43	12	GU19212900	34.43	15	GU23943410	33.08	35
GU10214300	34.43	27	GU19213720	34.43	17	GU27037521	34.38	4
GU10214301	34.43	27	GU19213760	34.41	15	GU27061585	34.37	3



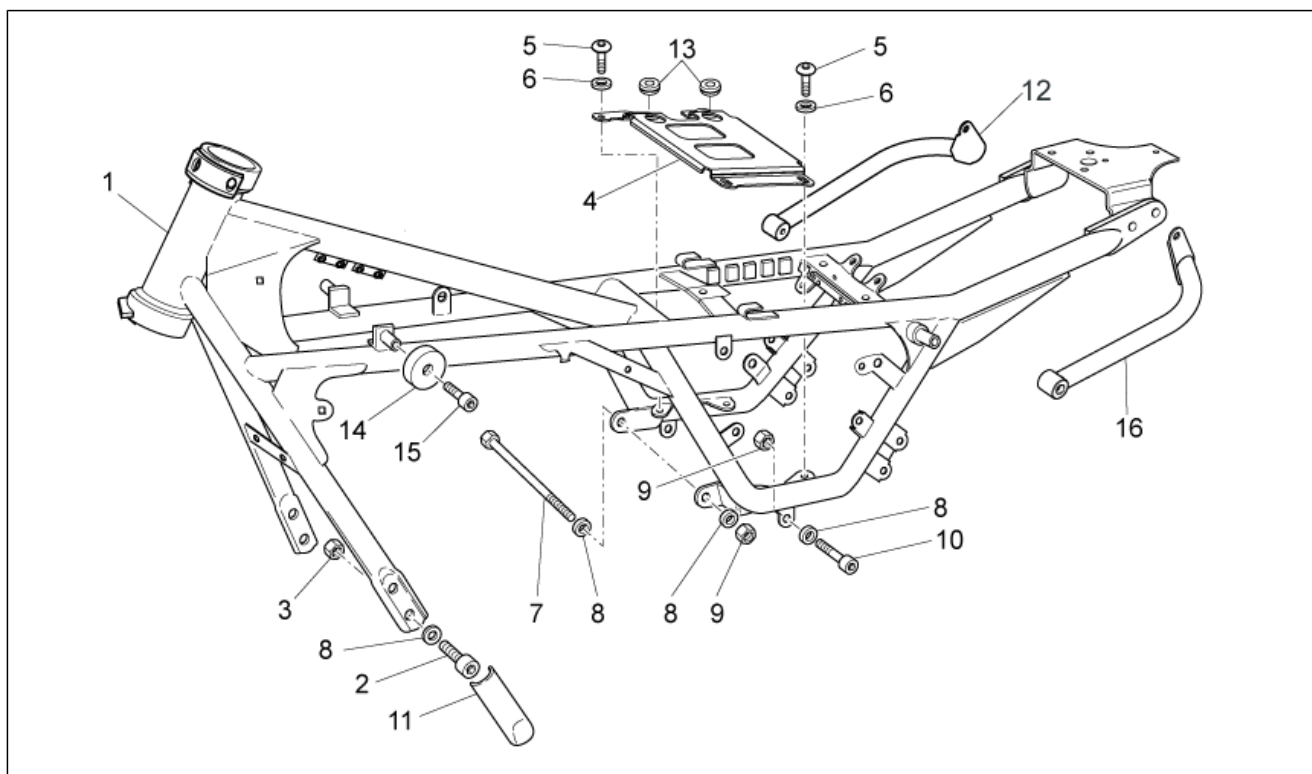
Codice	N.Tavola	Pos.	Codice	N.Tavola	Pos.	Codice	N.Tavola	Pos.
GU27061885	34.37	17	GU32215010	34.43	22	GU61270300	34.10	26
GU27062060	34.37	6	GU32215210	34.43	23	GU61270300	34.34	6
GU27065660	34.37	7	GU32231010	34.44	5	GU61270300	34.36	21
GU27066460	34.37	9	GU32231210	34.44	4	GU61270300	34.40	17
GU27066560	34.37	8	GU32233010	34.44	6	GU66103415	33.01	14
GU27152885	34.34	22	GU32234110	34.44	13	GU90271018	34.38	12
GU27153085	34.39	14	GU32234410	34.44	1	GU90271117	34.43	29
GU27210760	34.41	12	GU32234710	34.44	11	GU90271121	34.43	19
GU27633910	33.25	4	GU32234810	34.44	12	GU90271124	34.43	4
GU28157950	33.22	29	GU32234910	34.44	16	GU90272023	34.09	4
GU28157950	33.48	8	GU32235710	34.44	14	GU90272075	34.40	3
GU28252060	33.02	8	GU32238210	34.44	10	GU90274026	34.44	3
GU28612033	33.25	18	GU32256910	33.06	4	GU90353009	34.36	4
GU29729461	33.31	2	GU32257810	33.06	8	GU90353029	34.38	24
GU29759150	33.18	17	GU32350410	34.10	13	GU90353030	34.10	17
GU30577800	33.29	13	GU32351410	34.10	16	GU90400616	34.41	11
GU30577800	34.47	17	GU32354610	34.10	18	GU90402538	33.25	6
GU30601060	33.18	13	GU32431310	33.02	9	GU90402642	33.24	8
GU30602500	33.18	22	GU32434460	33.13	1	GU90403251	34.10	38
GU30630430	33.25	19	GU32439260	33.48	3	GU90403549	34.10	3
GU31003766	34.10	8	GU32441210	33.04	5	GU90407591	34.10	15
GU31003766	34.34	14	GU32441210	33.05	3	GU90706076	34.34	9
GU31003766	34.40	19	GU32442310	33.05	1	GU90706111	34.39	22
GU31003766	34.42	26	GU32442710	33.05	10	GU90706140	34.42	4
GU31016050	34.39	20	GU32443210	33.04	4	GU90706141	33.30	17
GU31037015	34.38	13	GU32443210	33.05	2	GU90706170	34.41	8
GU31038015	34.38	5	GU32443211	33.04	11	GU90706188	34.10	29
GU31045015	34.38	26	GU32443211	33.05	11	GU90706188	34.43	18
GU31112965	33.22	33	GU32457810	33.01	11	GU90706203	34.10	7
GU31121880	33.23	9	GU32461610	33.14	2	GU90706203	34.42	25
GU31150950	34.39	26	GU32504210	33.08	36	GU90706235	34.41	14
GU31159050	34.39	15	GU32506360	33.28	1	GU90706281	34.34	19
GU31327783	34.09	2	GU32517710	33.31	8	GU90706444	34.34	17
GU31439565	33.13	4	GU32555210	33.11	4	GU90706584	34.10	37
GU31513480	33.08	20	GU32555211	33.11	5	GU90714082	33.22	31
GU31544181	34.09	15	GU32602860	33.18	9	GU91113826	33.23	23
GU31547882	34.09	14	GU32603010	33.18	16	GU91120806	33.15	6
GU31610160	33.24	17	GU32603310	33.18	7	GU91180601	33.15	10
GU31614183	33.24	9	GU32605510	33.18	2	GU91181003	33.18	11
GU31615283	33.24	6	GU32613160	33.24	2	GU91181003	33.19	18
GU31616384	33.24	12	GU32615660	33.24	14	GU91551010	33.22	25
GU31634281	33.27	4	GU32632510	33.25	17	GU91551086	33.14	13
GU31634481	33.25	15	GU32633360	33.25	14	GU92201070	34.10	14
GU31740383	33.28	11	GU32633560	34.10	11	GU92201220	34.43	16
GU32032310	34.38	11	GU32634160	33.27	5	GU92201225	34.40	10
GU32053410	34.38	16	GU32636160	33.25	21	GU92204217	33.25	5
GU32054510	34.38	17	GU32657110	33.19	2	GU92204218	33.25	3
GU32067910	34.40	5	GU32692260	33.25	2	GU92204221	33.24	7
GU32080310	34.40	1	GU32735510	33.32	5	GU92218417	34.43	10
GU32084410	34.40	4	GU32747910	33.31	9	GU92230320	34.43	13
GU32115010	34.47	3	GU32753410	33.28	3	GU92234716	34.43	26
GU32115011	34.47	8	GU32753410	33.29	8	GU92249220	34.10	32
GU32115510	34.47	7	GU32781910	33.16	10	GU92249225	33.07	2
GU32121010	33.23	7	GU32782510	33.17	8	GU92249227	34.10	20
GU32202010	34.43	28	GU32782510	33.32	2	GU92251028	34.43	7
GU32206510	34.42	22	GU32944310	33.33	17	GU92252210	34.39	2
GU32208210	34.42	8	GU32999010	34.34	25	GU92252235	34.10	5
GU32210510	34.43	1	GU32999510	34.34	24	GU92296723	34.39	6
GU32211110	34.43	9	GU35214300	34.09	13	GU92602406	34.38	9
GU32211410	34.43	6	GU39238100	34.43	25	GU92602510	34.39	19
GU32211810	34.43	5	GU49609601	33.30	18	GU92603010	34.36	11
GU32212011	34.43	2	GU49609601	33.31	27	GU92606206	33.17	6
GU32213610	34.43	14	GU53429500	33.02	3	GU92606208	34.34	7
GU32213810	34.42	5	GU61027200	34.37	12	GU92606208	34.40	18
GU32214010	34.43	24	GU61036801	34.36	3	GU92606210	33.01	9
GU32214510	34.43	20	GU61038100	34.38	6	GU92606210	33.02	5
GU32214810	34.43	21	GU61054900	34.38	18	GU92606210	33.11	7





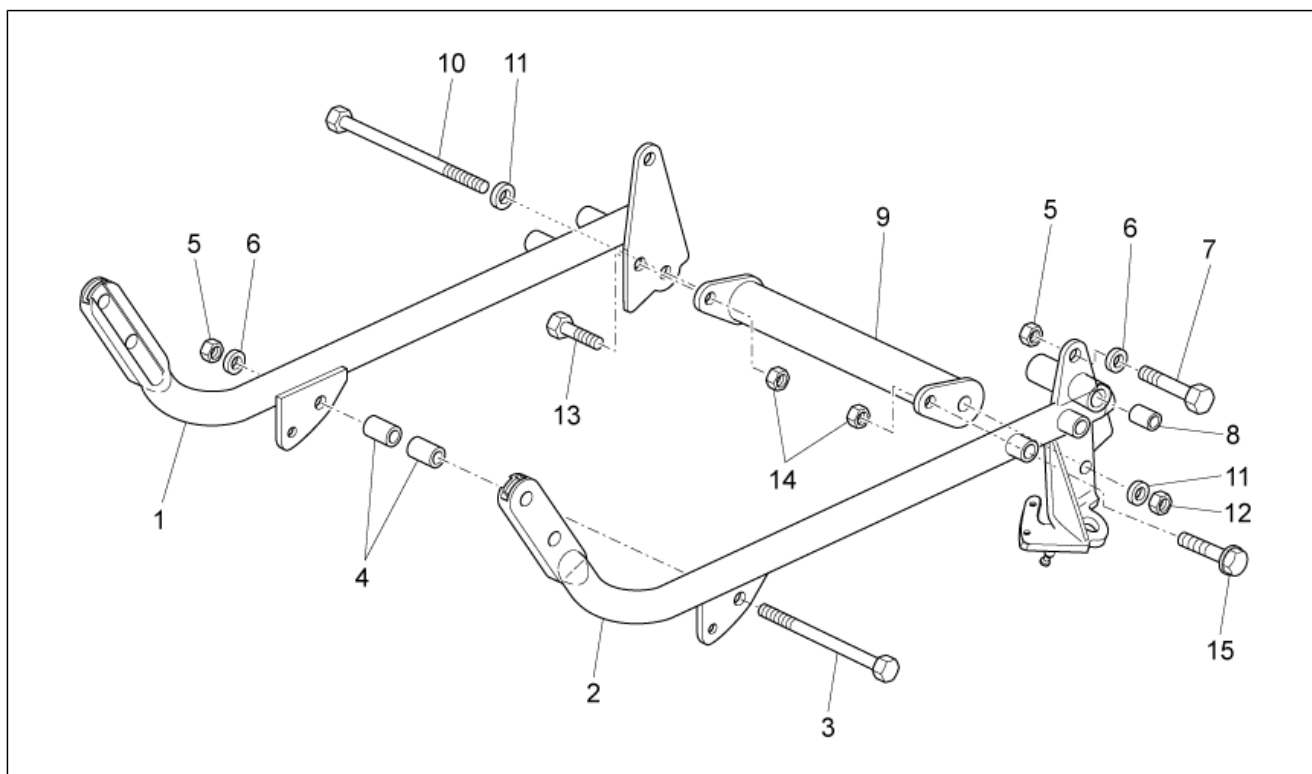
Codice	N.Tavola	Pos.	Codice	N.Tavola	Pos.
GU92606210	34.09	18	GU95129260	33.06	3
GU92606316	33.25	16	GU95187006	34.39	13
GU92606508	34.41	3	GU95500221	33.26	10
GU92606512	34.42	14	GU95500222	34.41	6
GU92609007	33.26	12	GU95780271	34.41	5
GU92630108	33.15	8	GU96451316	33.27	15
GU92630204	33.16	8	GU96451430	34.34	3
GU92630206	33.26	6	GU96451560	34.34	2
GU92630510	33.01	3	GU96506042	34.36	5
GU92630707	33.06	5	GU96508055	34.10	12
GU92640508	33.23	19	GU96508055	34.34	4
GU92660021	33.26	7	GU96510181	34.36	15
GU92787006	33.28	6	GU96510214	34.36	14
GU92787006	33.29	11	GU97202325	33.18	12
GU93180105	34.09	21	GU98054422	34.38	28
GU93180111	33.24	13	GU98082565	33.02	7
GU93180220	34.40	9	GU98084314	34.39	12
GU93180245	34.36	22	GU98084314	34.40	12
GU93222023	33.17	4	GU98110199	33.01	7
GU93231605	33.29	14	GU98210612	33.23	27
GU93231605	34.47	16	GU98230510	33.16	4
GU93301175	33.23	26	GU98230510	33.18	19
GU93301313	33.48	15	GU98230612	34.44	7
GU93305061	33.22	22	GU98257618	34.44	15
GU93450105	33.28	9	GU98350215	33.29	12
GU93450126	33.28	15	GU98350416	33.01	5
GU93450126	33.29	7	GU98370412	33.19	4
GU93450224	33.29	3	GU98370515	34.47	18
GU93450232	33.28	10	GU98370609	33.17	2
GU94321079	34.39	24	GU98370616	33.31	7
GU94321099	34.09	6	GU98370625	33.14	4
GU94321105	34.41	4	GU98370625	33.26	17
GU95004210	33.31	4	GU98370655	33.28	7
GU95005306	33.17	3	GU98370655	33.29	9
GU95005308	33.26	9	GU98370831	33.15	5
GU95005308	33.28	23	GU98370845	33.13	3
GU95005308	33.48	4	GU98612216	33.03	9
GU95005308	34.09	22	GU98622322	34.47	9
GU95005310	33.15	7	GU98632322	33.06	6
GU95005310	33.26	5	GU98680435	34.40	15
GU95008205	33.30	16	GU98680435	34.42	19
GU95008206	34.39	23	GU98680450	34.40	16
GU95008208	33.01	6	GU98680545	34.09	16
GU95008208	34.46	3	GU98680555	33.01	10
GU95008210	33.01	8	GU98682212	33.30	15
GU95008210	33.02	6	GU98682212	33.31	12
GU95008210	34.09	17	GU98682212	34.45	5
GU95008305	33.18	20	GU98682325	34.34	11
GU95008306	33.19	20	GU98682325	34.35	3
GU95008306	33.27	21	GU98682330	34.35	4
GU95020105	33.03	10	GU98682330	34.42	18
GU95021104	33.19	19	GU98682414	33.01	15
GU95021105	33.18	21	GU98682416	33.04	12
GU95021206	33.17	5	GU98682416	33.05	14
GU95021206	33.28	8	GU98682416	33.17	9
GU95021206	33.29	10	GU98682416	33.32	7
GU95100059	33.31	13	GU98682430	33.12	9
GU95100116	34.47	12	GU98682435	34.46	2
GU95100125	34.45	11	GU98682530	33.01	2
GU95100244	34.38	29	GU98690335	33.11	8
GU95100309	34.39	27	GU98690335	33.18	8
GU95100602	34.39	25	GU98690440	33.23	17
GU95100709	34.34	21	GU98692325	34.36	16
GU95129115	34.38	22	GU98692420	33.28	22
GU95129180	34.34	27	GU98880540	33.28	21
GU95129180	34.36	13	GU98882316	34.38	21
GU95129181	33.11	6			

<b>Gruppo</b>	TELAIO
<b>Codice</b>	33.01
<b>Descrizione</b>	Telaio I
<b>Revisione</b>	1



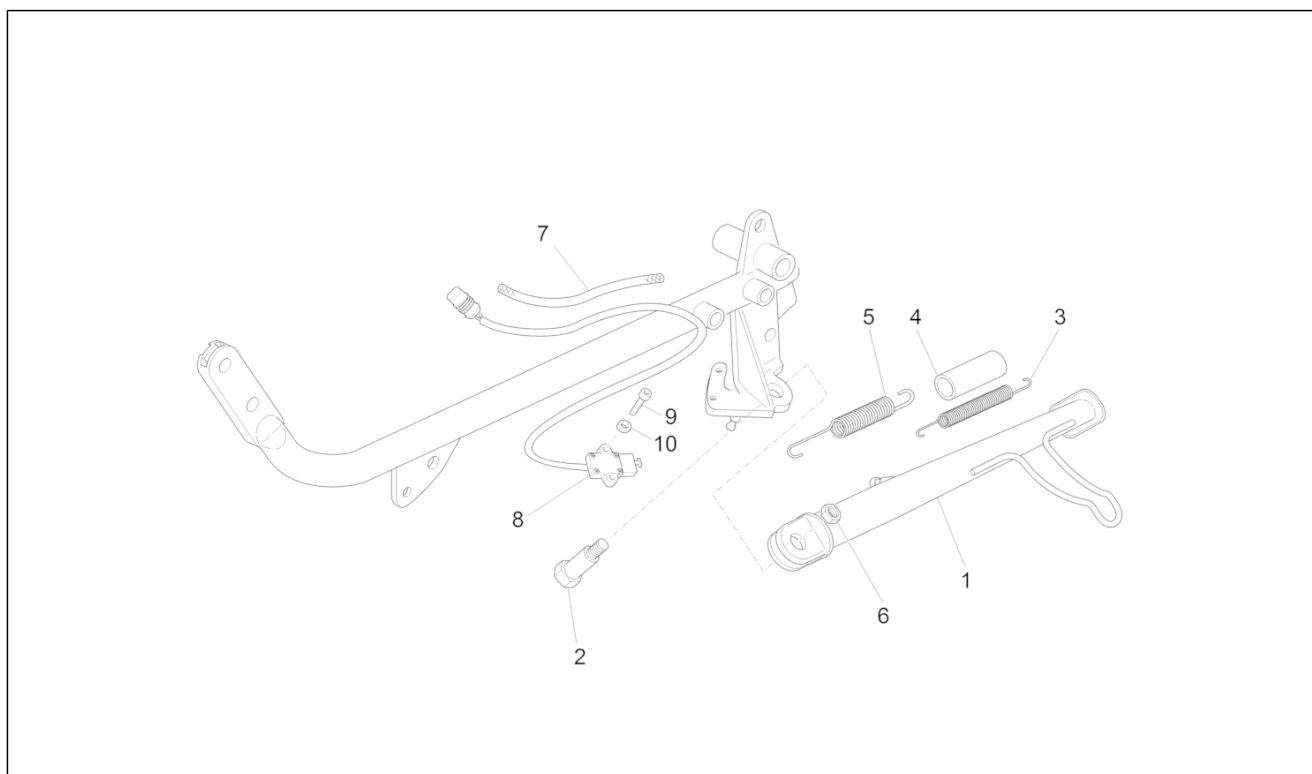
Pos.	Codice	Descrizione	Q.ta	Varianti
1	887837	Telaio v.	1	
2	GU98682530	Vite TCEI M10x30	4	
3	GU92630510	Dado M10x1,5	4	
4	B063287	Piastra unione telaio	1	
5	GU98350416	Vite TBEI M8x16	4	
6	GU95008208	Rosetta 8,4X15X1,5	4	
7	GU98110199	Perno M10x205	1	
8	GU95008210	Rosetta 10,2X18X2	11	
9	GU92606210	Dado M10x1,5	3	
10	GU98680555	Vite M10x55	2	
11	GU32457810	Protezione	2	
12	978951	Maniglia dx	1	
13	AP8120311	Gommino *	2	
14	GU66103415	Gommino	2	
15	GU98682414	Vite TCEI	2	
16	978952	Maniglia sx	1	

<b>Gruppo</b>	TELAIO
<b>Codice</b>	33.02
<b>Descrizione</b>	Telaio II
<b>Revisione</b>	1



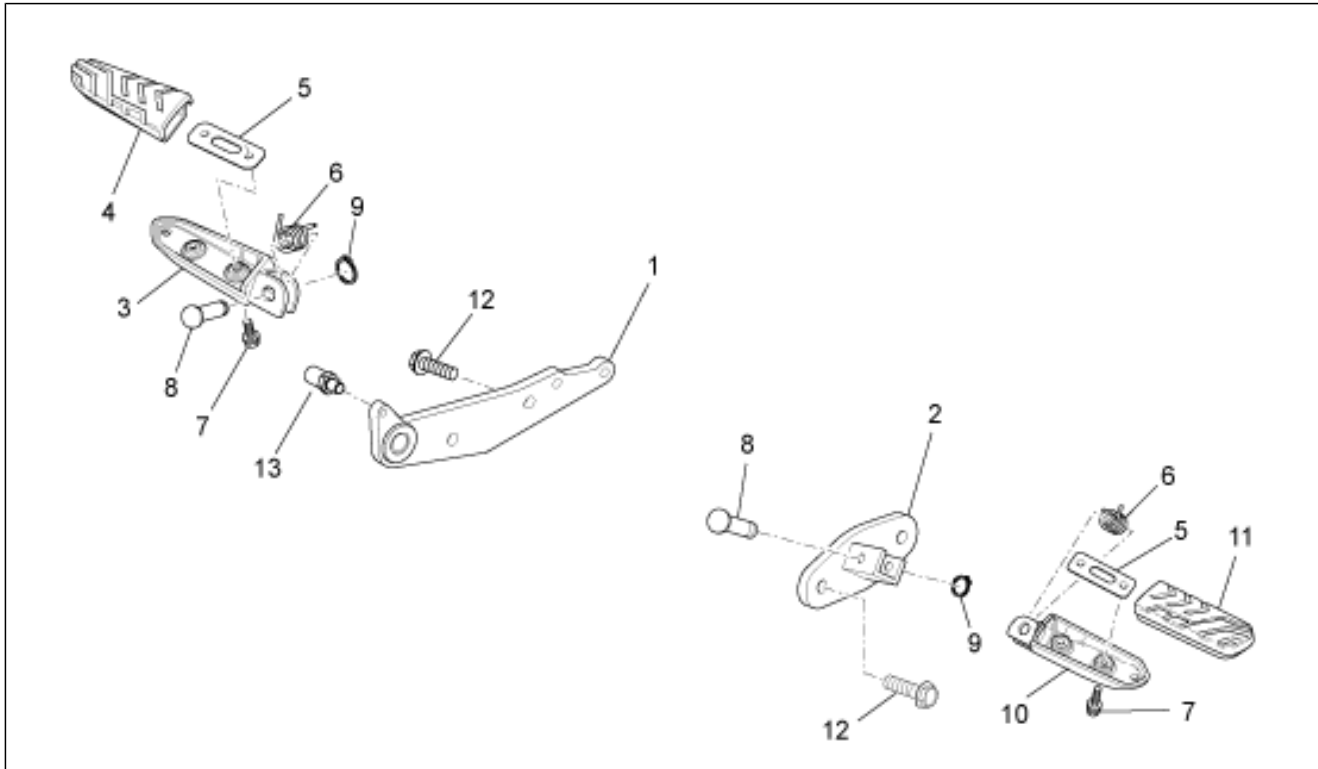
Pos.	Codice	Descrizione	Q.ta	Varianti
1	B063197	Culla dx	1	
2	B063198	Culla sx	1	
3	GU53429500	Perno M10x250	1	
4	GU19017000	Boccola	2	
5	GU92606210	Dado M10x1,5	3	
6	GU95008210	Rosetta 10,2X18X2	3	
7	GU98082565	Vite M10x65	2	
8	GU28252060	Bussola 18 mm est.	2	
9	GU32431310	Traverso bracci culla	1	
10	AP8121367	Perno M10x260	1	
11	AP8152220	Rosetta zigrinata	2	
12	AP8150436	Dado autobloc.basso	1	
13	AP8152287	Vite TE flangiata M8x25	1	
14	AP8152300	Dado autobloc.flang. M8	1	
15	AP8152288	Vite TE flangiata	1	

<b>Gruppo</b>	TELAIO
<b>Codice</b>	33.03
<b>Descrizione</b>	Cavalletto laterale
<b>Revisione</b>	1



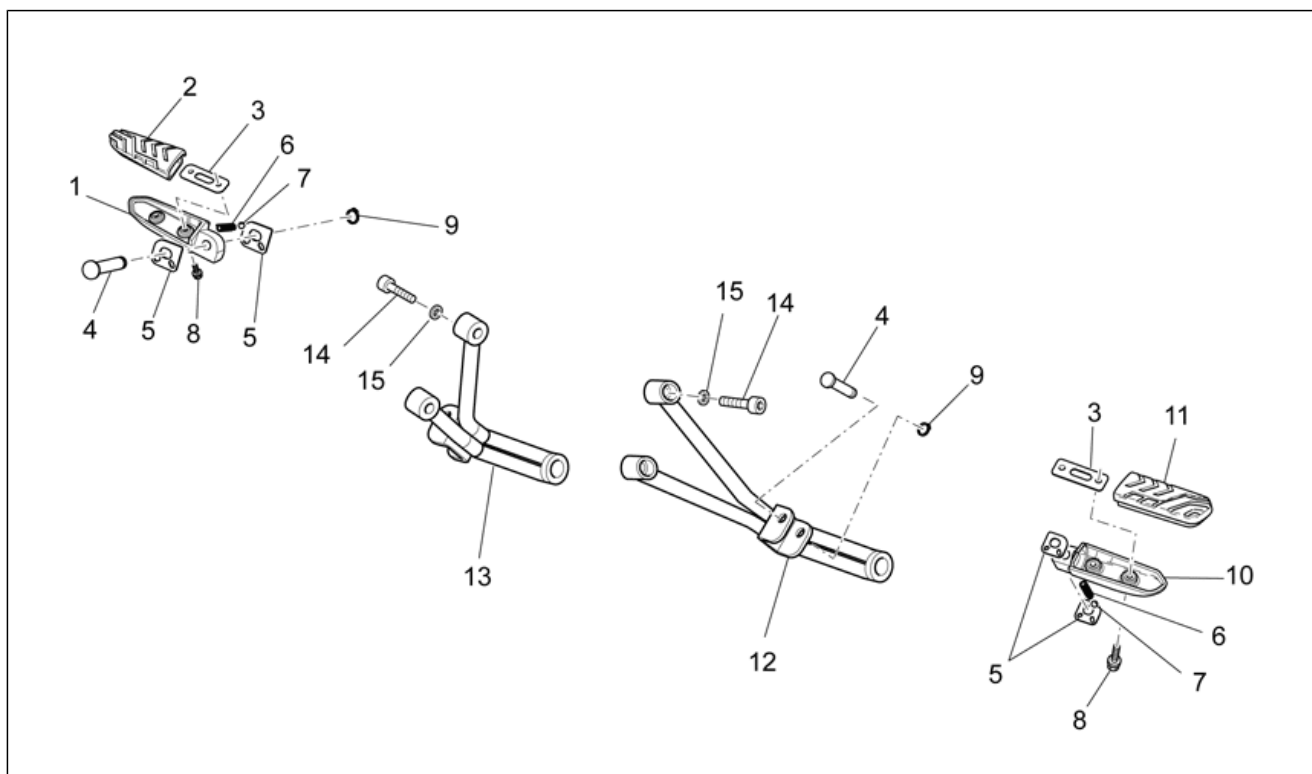
Pos.	Codice	Descrizione	Q.ta	Varianti
1	B063086	Cavalletto laterale	1	
2	AP8121375	Vite cavalletto	1	
3	AP8121014	Molla elica cilind.trazione *	1	
4	AP8102524	Protezione molla cavalletto	1	
5	AP8221197	Molla ritorno cavalletto	1	
6	967356	Dado flangiato M10x1,25	1	
7	GU00823923140	Guaina termica	1	
8	AP8127856	Interruttore cavalletto	1	
9	GU98612216	Vite TCEI	2	
10	GU95020105	Rosetta 5,3x8,9x2,4	2	

<b>Gruppo</b>	TELAIO
<b>Codice</b>	33.04
<b>Descrizione</b>	Pedane pilota
<b>Revisione</b>	1



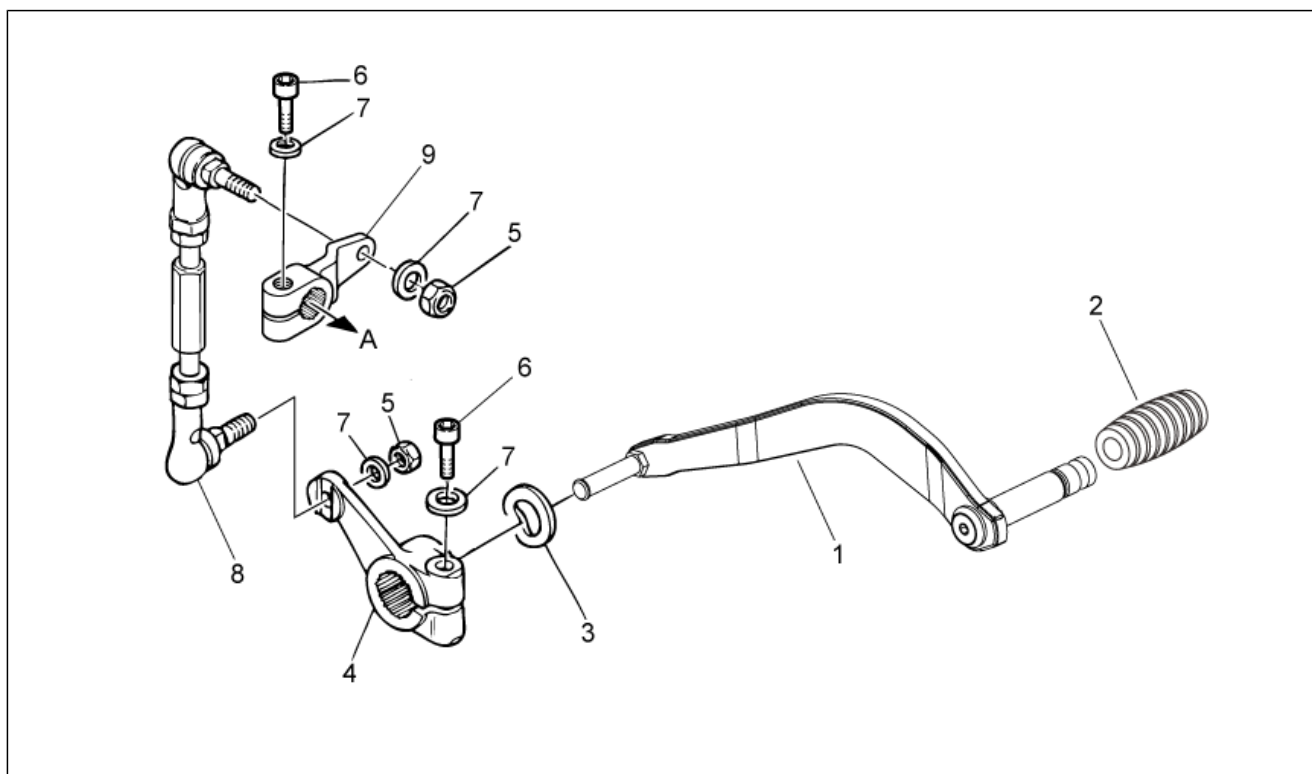
Pos.	Codice	Descrizione	Q.ta	Varianti
1	883051	Supporto pedana dx	1	
2	883052	Supporto pedana sx	1	
3	AP8145034	Pedana pilota dx	1	
4	GU32443210	Gomma	1	
5	GU32441210	Piastrina	2	
6	AP8221277	Molla ritorno pedana	2	
7	AP8152277	Vite TE flangiata M6x12	4	
8	AP8121566	Perno pedana	2	
9	AP8152409	Anello di fermo radiale	2	
10	AP8145035	Pedana pilota sx	1	
11	GU32443211	Gomma	1	
12	GU98682416	Vite TCEI M8x16	4	
13	B063132	Fine corsa	1	

<b>Gruppo</b>	TELAIO
<b>Codice</b>	33.05
<b>Descrizione</b>	Pedane passeggero
<b>Revisione</b>	1



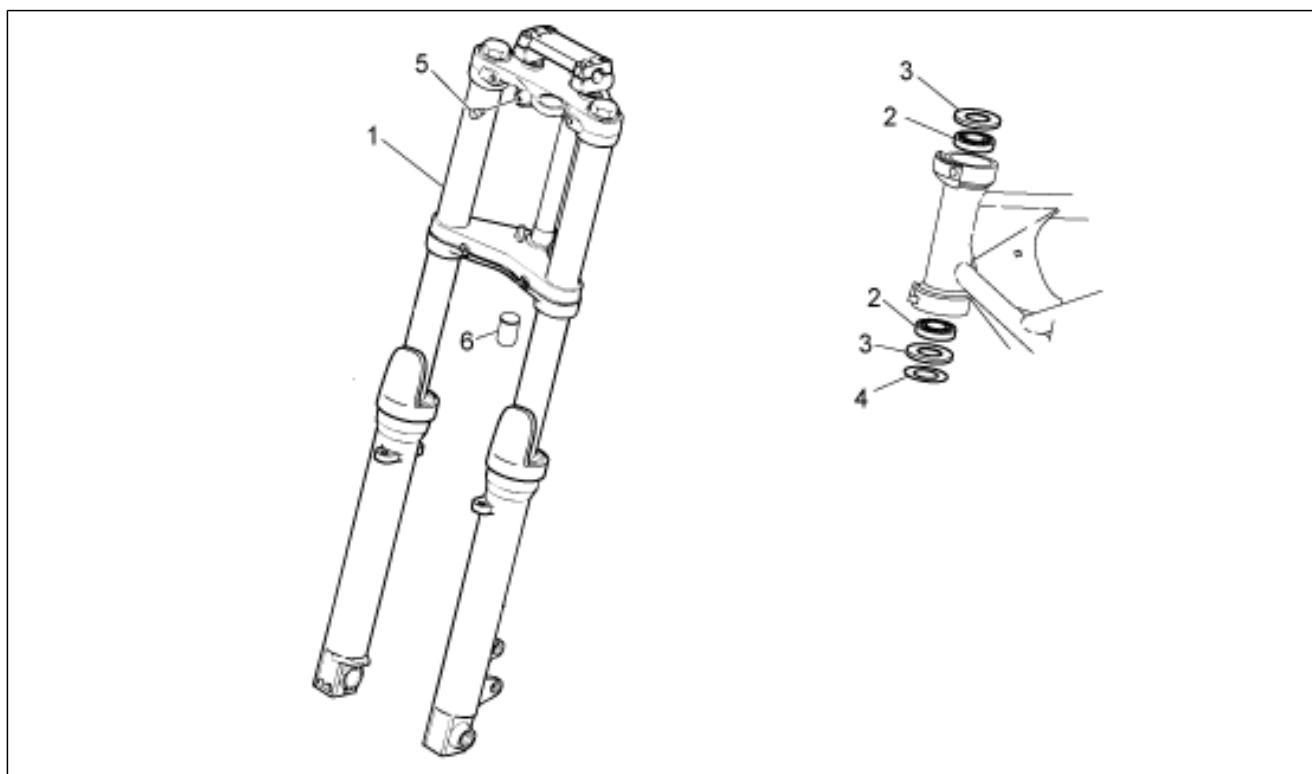
Pos.	Codice	Descrizione	Q.ta	Varianti
1	GU32442310	Pedana passeggero DX	1	
2	GU32443210	Gomma	1	
3	GU32441210	Piastrina	2	
4	AP8121566	Perno pedana	2	
5	AP8134451	Piastra fine corsa pedana	4	
6	AP8121133	Molla elica cilind.compres.	2	
7	AP8101861	Sfera D6,35	2	
8	AP8152277	Vite TE flangiata M6x12	4	
9	AP8152409	Anello di fermo radiale	2	
10	GU32442710	Pedana passeggero SX	1	
11	GU32443211	Gomma	1	
12	2B000349	Supporto pedane passeggero sx con Pi	1	
12	883019	Supporto pedana sx	1	
13	2B000348	Supporto pedane passeggero dx con PI	1	
13	883015	Supporto pedana dx	1	
14	GU98682416	Vite TCEI M8x16	4	
15	GU14615901	Rosetta 8,4X13X0,8	4	

<b>Gruppo</b>	TELAIO
<b>Codice</b>	33.06
<b>Descrizione</b>	Leva cambio
<b>Revisione</b>	1



Pos.	Codice	Descrizione	Q.ta	Varianti
1	887851	Leva cambio	1	
2	AP8120912	Gommino per leva	1	
3	GU95129260	Rosetta elastica	2	
4	GU32256910	Leva rinvio	1	
5	GU92630707	Dado	2	
6	GU98632322	Vite	2	
7	GU03013800	Rosetta 6,4x12	3	
8	GU32257810	Tirante cpl.	1	
9	GU20258221	Leva preselettore	1	

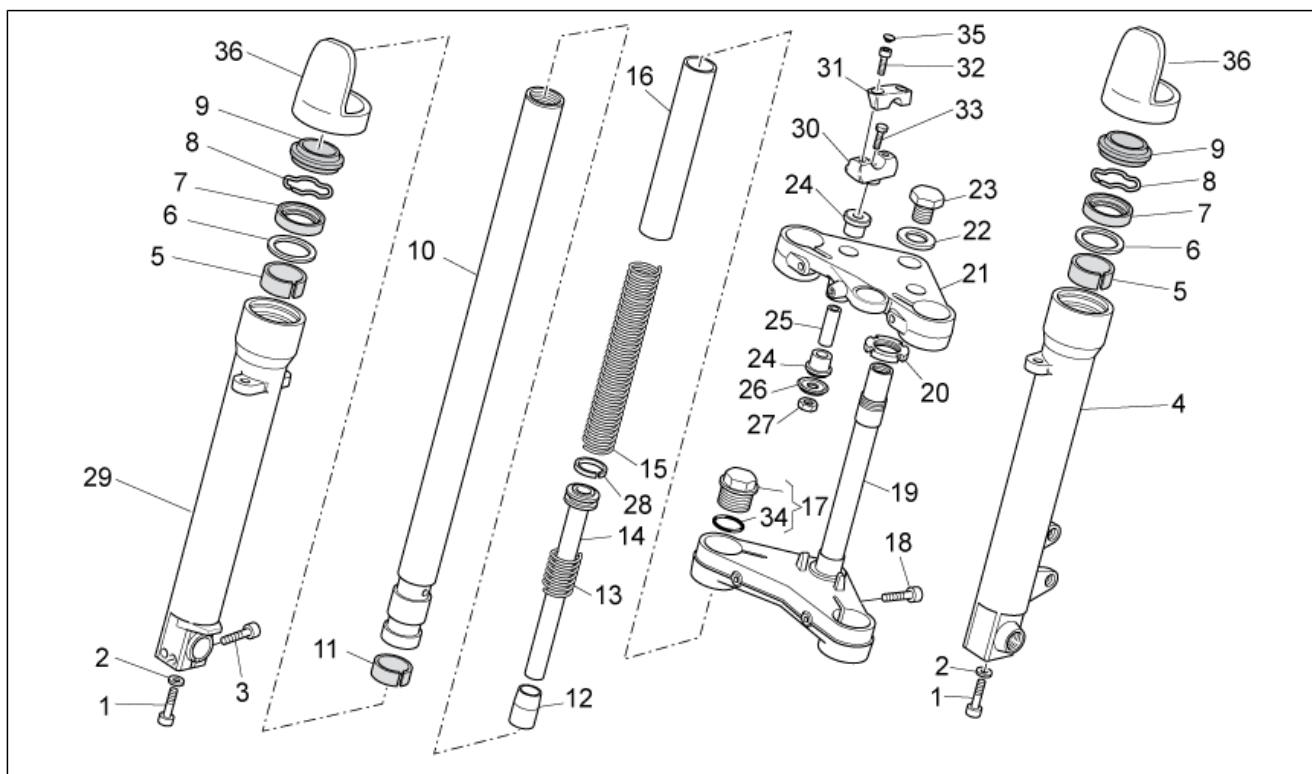
<b>Gruppo</b>	TELAIO
<b>Codice</b>	33.07
<b>Descrizione</b>	Forcella ant. I
<b>Revisione</b>	1



Pos.	Codice	Descrizione	Q.ta	Varianti
1	2B000559	Forcella cpl.	1	
2	GU92249225	Cuscinetto a rulli conici	2	
3	AP8144146	Anello di tenuta	1	
4	AP8121307	Rosetta	1	
5	AP8144081	Gommino	1	
6	AP8220460	Scodellino in gomma	1	

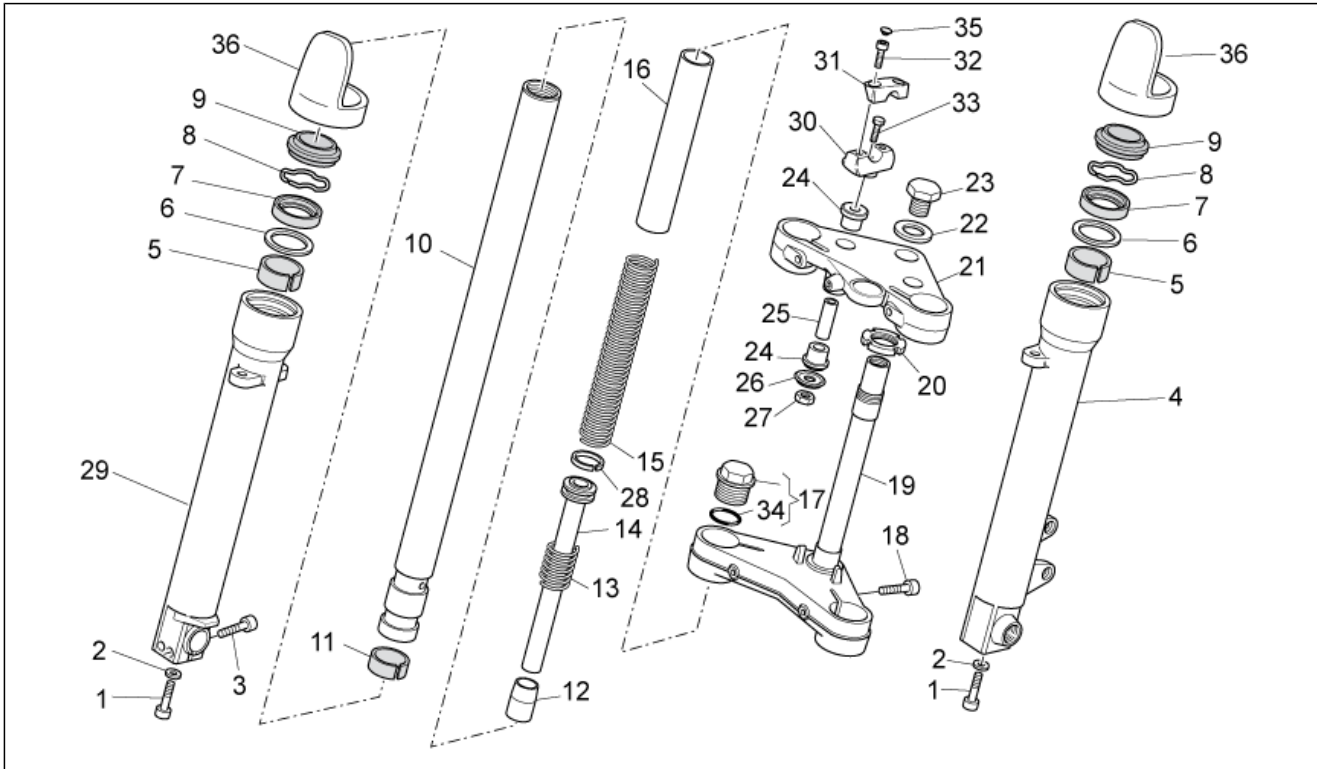


<b>Gruppo</b>	TELAIO
<b>Codice</b>	33.08
<b>Descrizione</b>	Forcella ant. II
<b>Revisione</b>	1



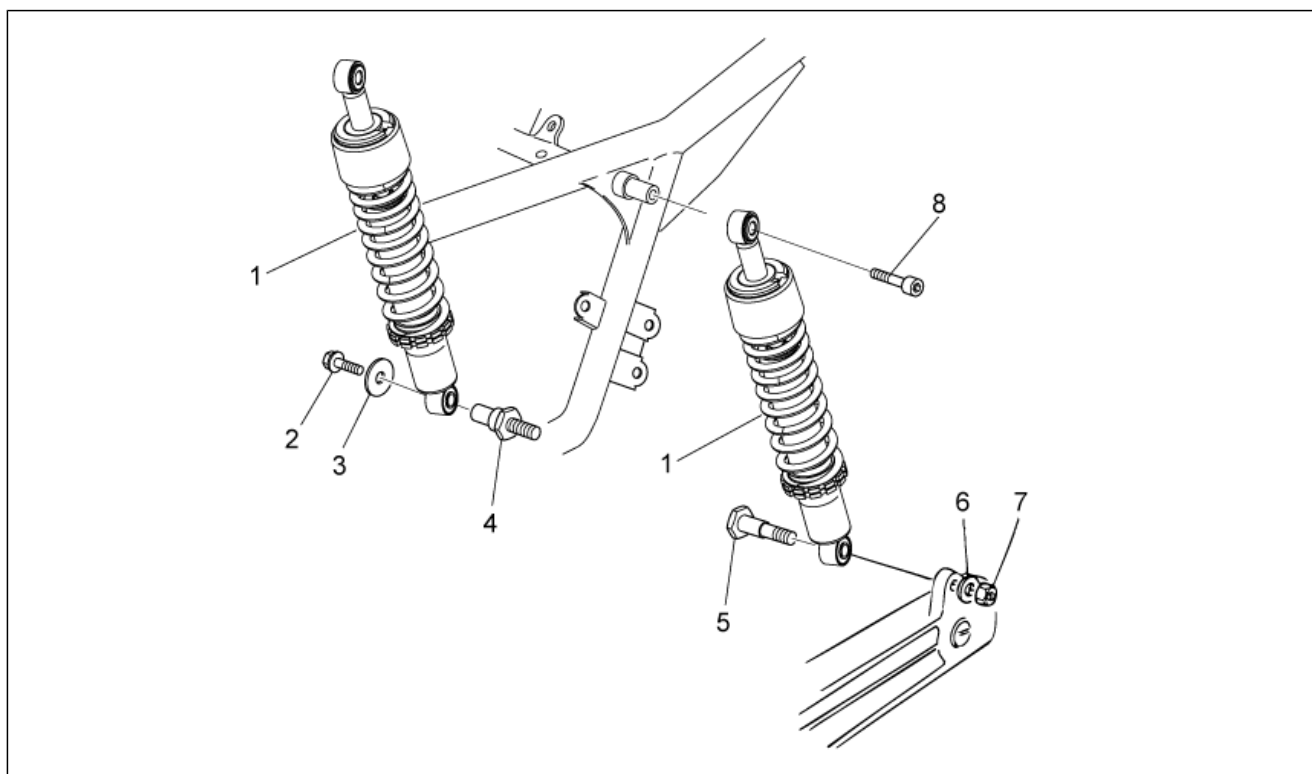
Pos.	Codice	Descrizione	Q.ta	Varianti
1	887878	Vite M10x30	2	
2	887879	Rosetta	2	
3	887880	Vite	2	
4	2R000110	Fodero SX	1	
5	887882	Bussola sup.	2	
6	887883	Rosetta	2	
7	887884	Anello di tenuta	2	
8	887885	Anello di fermo	2	
9	887886	Parapolvere	2	
10	887887	Stelo	2	
11	887888	Bussola	2	
12	887889	Tampone	2	
13	887890	Contromolla	2	
14	887891	Pompante cpl.	2	
15	887892	Molla	2	
16	887893	Tubo	2	
17	887894	Tappo cpl.	2	
18	887895	Vite	2	
19	887896	Base con canotto	1	
20	GU31513480	Ghiera M25X1	1	
21	887898	Piastra superiore	1	
22	887899	Rosetta	1	
23	887900	Dado	1	
24	887901	Gommino	4	
25	887902	Distanziale	2	
26	887903	Scodellino	2	
27	887904	Dado	2	
28	887905	Segmento	2	

<b>Gruppo</b>	TELAIO
<b>Codice</b>	33.08
<b>Descrizione</b>	Forcella ant. II
<b>Revisione</b>	1



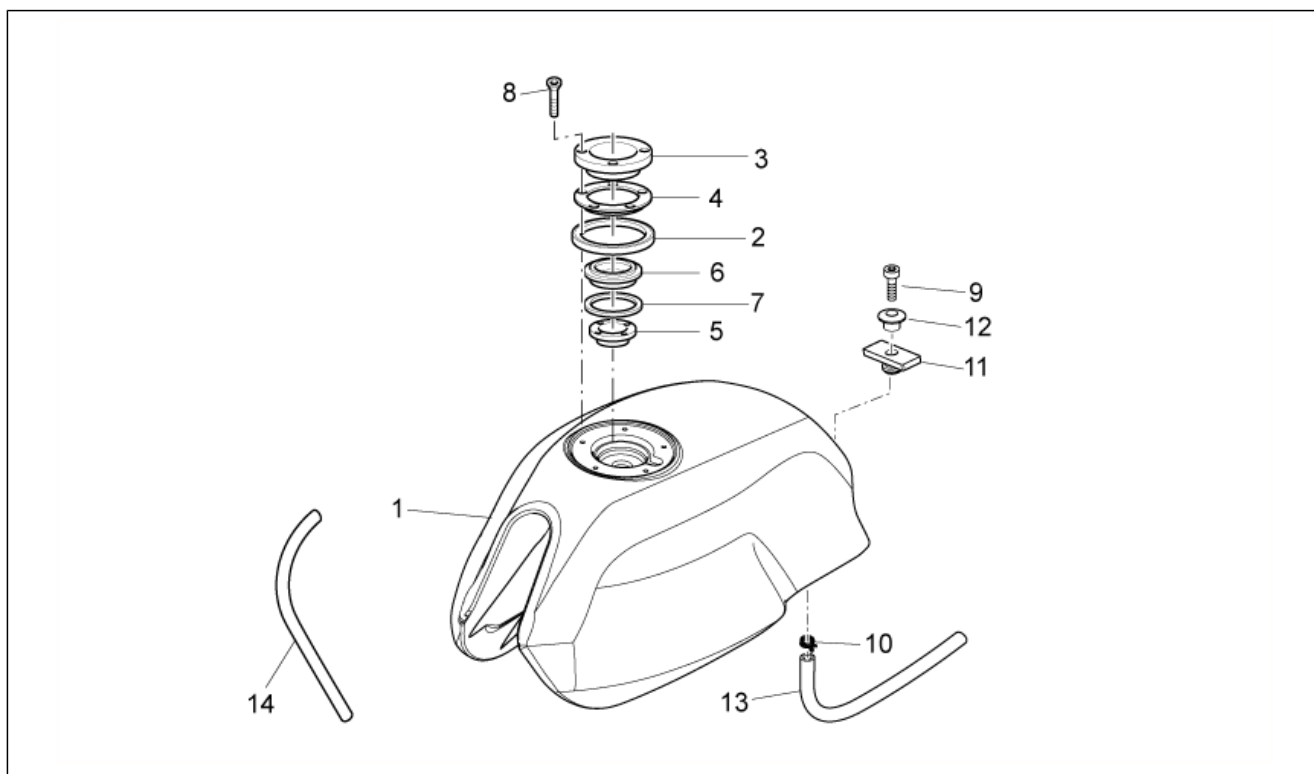
Pos.	Codice	Descrizione	Q.ta	Varianti
29	2R000109	Fodero DX	1	
30	887912	Cavallotto inf.	2	
31	887913	Cavallotto sup.	2	
32	887914	Vite M8x30	4	
33	887915	Vite M10x60	2	
34	887916	Anello OR 4118	2	
35	GU23943410	Tappo cromato	4	
36	GU32504210	Protezione stelo	2	

<b>Gruppo</b>	TELAIO
<b>Codice</b>	33.11
<b>Descrizione</b>	Ammortizzatore post.
<b>Revisione</b>	1



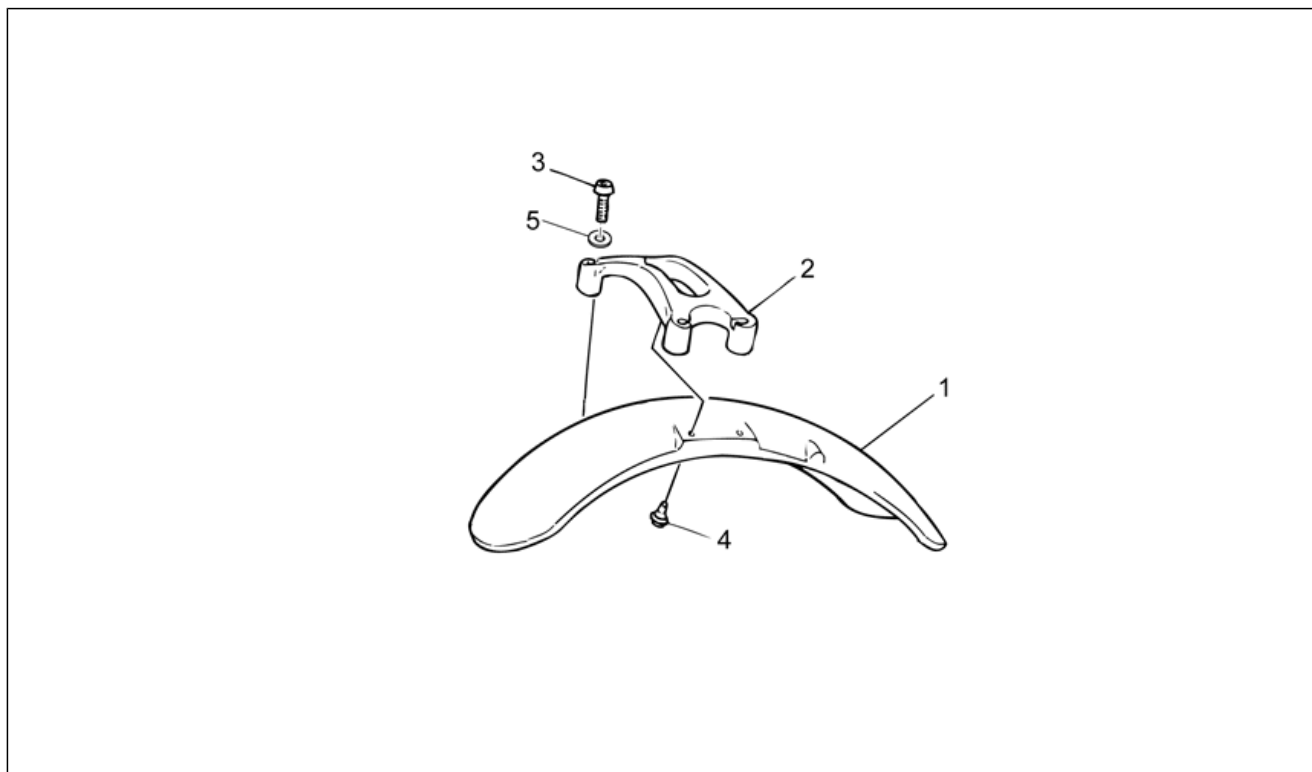
Pos.	Codice	Descrizione	Q.ta	Varianti
1	884035	Ammortizzatore posteriore	2	<b>Specifiche Tecniche:</b>
1	B063749	Ammortizzatore posteriore	2	<b>Specifiche Tecniche:</b> Olle Amortidors SL[O]
2	AP8152278	Vite TE flangiata M6x16	1	
3	898164	Distanziale ammortizzatore	1	
4	GU32555210	Perno	1	
5	GU32555211	Perno	1	
6	GU95129181	Rosetta ondulata	1	
7	GU92606210	Dado M10x1,5	1	
8	GU98690335	Vite TCEI	2	

<b>Gruppo</b>	TELAIO
<b>Codice</b>	33.12
<b>Descrizione</b>	Serbatoio benzina
<b>Revisione</b>	1



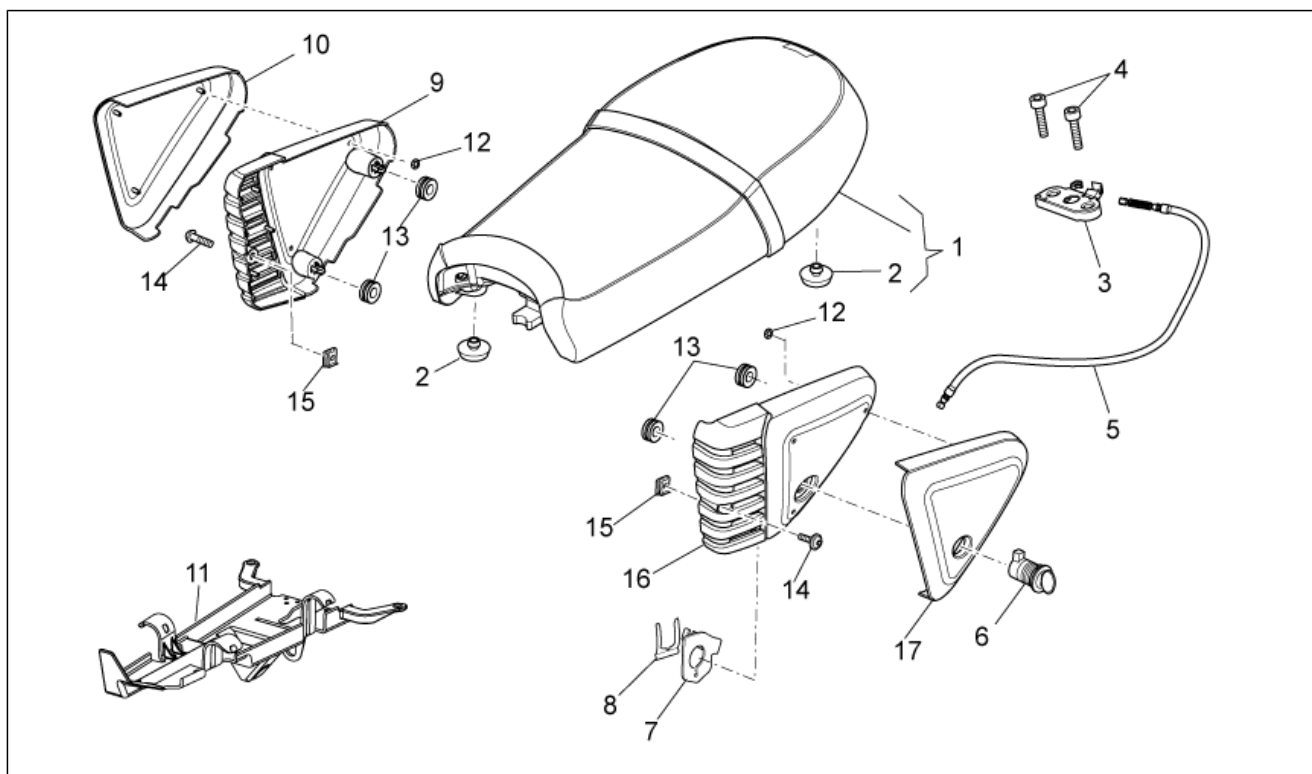
Pos.	Codice	Descrizione	Q.ta	Varianti
1	2H000019000XN2	Serbatoio benz.v.nero	1	<b>Colore veicolo:</b> Nero Competition[nc] <b>Specifiche Tecniche:</b> Decalcato[D]
1	2H000020000XN2	Serbatoio benz.v.nero	1	<b>Colore veicolo:</b> Nero Competition[nc] <b>Paese:</b> Cina[CN] <b>Specifiche Tecniche:</b> Decalcato[D]
1	2H000076000YE5	Serbatoio benz.v.grigio m.	1	<b>Colore veicolo:</b> Grigio Metallo[gm] <b>Specifiche Tecniche:</b> Decalcato[D]
1	2H000077000YE5	Serbatoio benz.v.grigio	1	<b>Colore veicolo:</b> Grigio Metallo[gm] <b>Paese:</b> Cina[CN] <b>Specifiche Tecniche:</b> Decalcato[D]
1	887207	Serbatoio benz. grezzo	1	<b>Colore veicolo:</b> Grezzo[gr]
1	887944	Serbatoio benz.grezzo	1	<b>Colore veicolo:</b> Grezzo[gr] <b>Paese:</b> Cina[CN]
2	GU03102400	Guarnizione flangia	1	
3	GU03101900	Flangia	1	
4	GU03103500	Anello	1	
5	883502	Riduzione 24 mm	1	<b>Paese:</b> Cina[CN]
5	GU03101720	Riduzione 38 mm	1	
6	GU03102200	Ghiera tappo	1	
7	GU03101600	Guarnizione	2	
8	GU03103200	Vite	5	
9	GU98682430	Vite TCEI M8x30	1	
10	AP8101595	Fascetta D10,1	1	
11	AP8120557	Gommino serbatoio	1	
12	AP8121673	Bussola a 'T' *	1	
13	GU00823944050	Tube 5X9	1	
14	GU00823931070	Guarnizione	1	

<b>Gruppo</b>	TELAIO
<b>Codice</b>	33.13
<b>Descrizione</b>	Carrozzeria ant. - Parafango ant.
<b>Revisione</b>	1



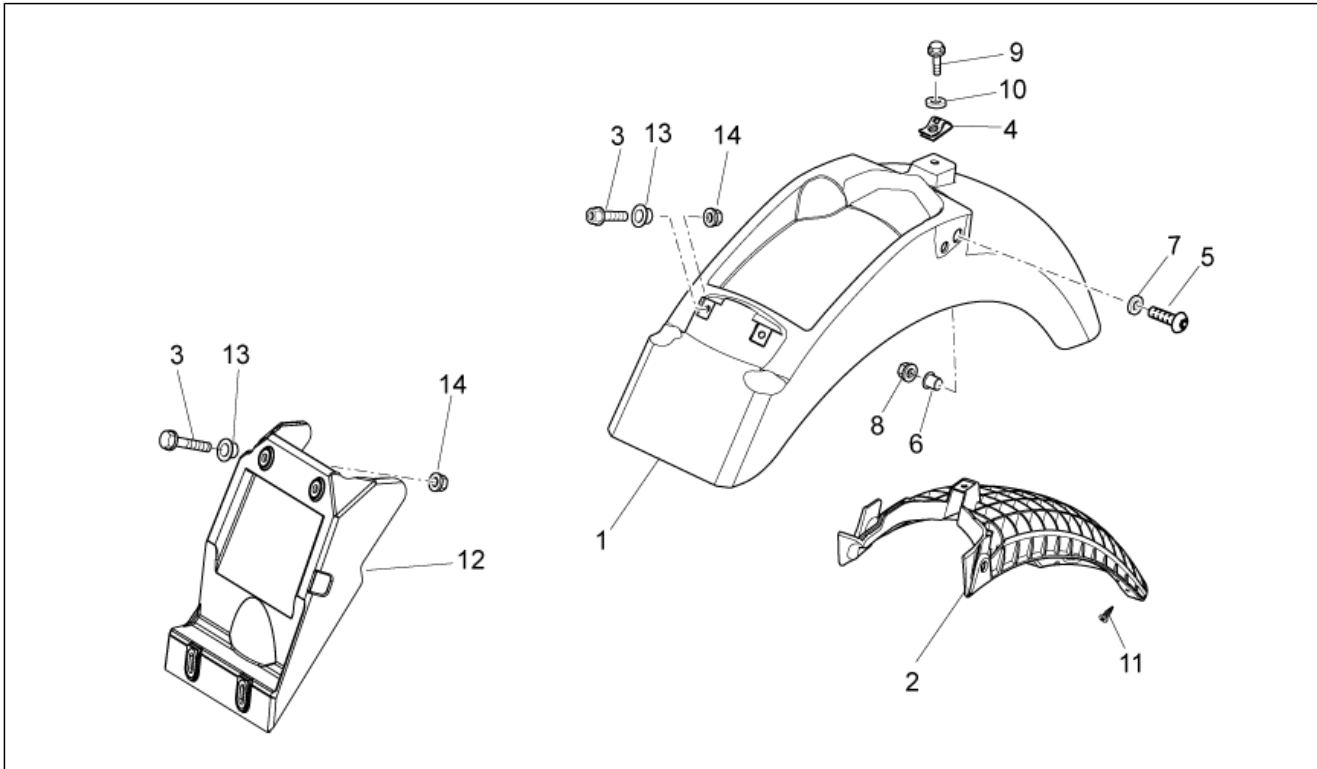
Pos.	Codice	Descrizione	Q.ta	Varianti
1	88635200XN2	Parafango ant.v.nero	1	<b>Colore veicolo:</b> Grigio Metallo[gm], Nero Competition[nc] <b>Specifiche Tecniche:</b>
1	GU32434460	Parafango ant.grezzo	1	<b>Colore veicolo:</b> Grezzo[gr]
2	883266	Piastra stabilizzatrice	1	
3	GU98370845	Vite TBEI	4	
4	GU31439565	Vite speciale	4	
5	GU14615901	Rosetta 8,4X13X0,8	4	

<b>Gruppo</b>	TELAIO
<b>Codice</b>	33.14
<b>Descrizione</b>	Sella-Carrozzeria cent.
<b>Revisione</b>	1



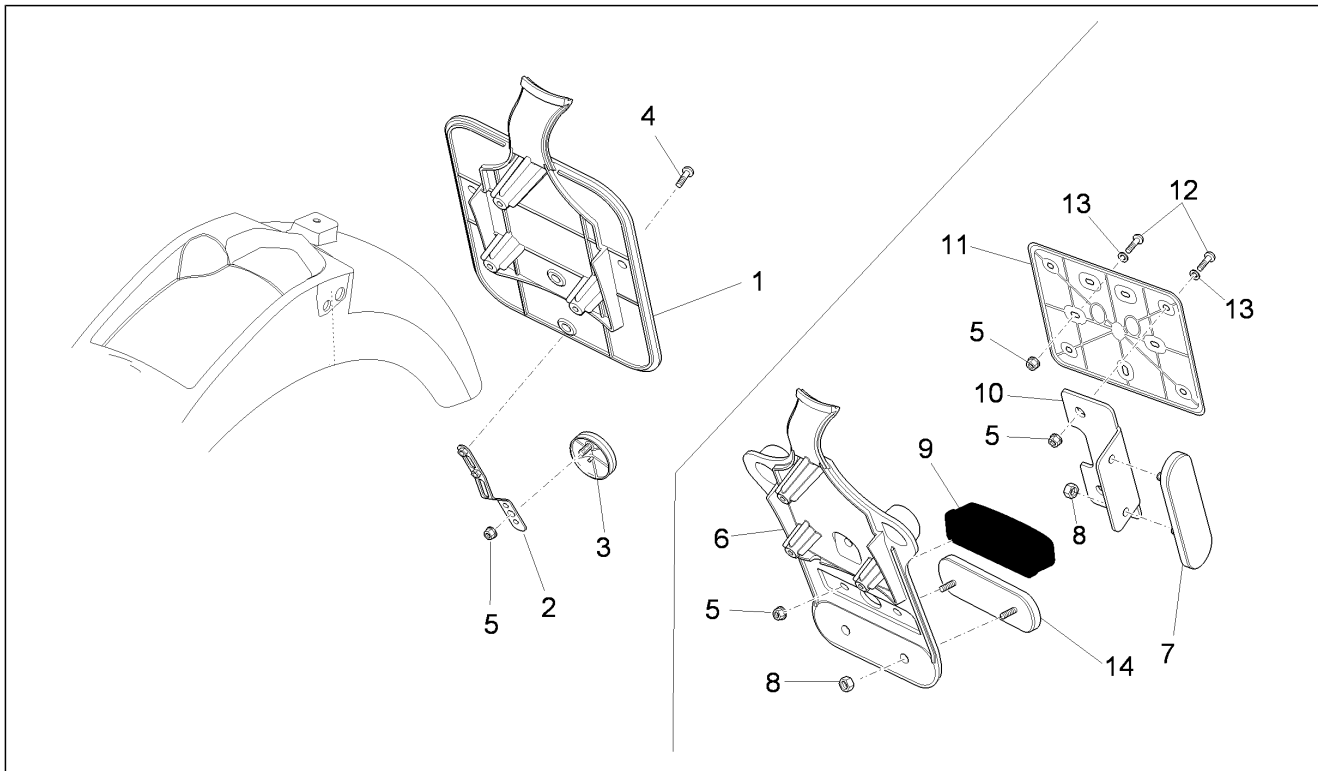
Pos.	Codice	Descrizione	Q.ta	Varianti
1	88793900A1	Sella biposto	1	
2	GU32461610	Gommino	8	
3	AP8102913	Piastra attacco sella pass.	1	
4	GU98370625	Vite TBEI	2	
5	883295	Cavo serratura sella	1	
6	977527	Serratura completa di chiavi	1	
7	AP8121420	Molla a forcella	1	
8	978415	Piastrina supporto cavo	1	
9	2B000878	Fianchetto dx	1	
10	2H000021000XN2	Fianchetto dx v.nero	1	Colore veicolo:Nero Competition[nc] Specifiche Tecniche:Decalcato[D]
10	2H000078000YE5	Fianchetto dx v.grigio	1	Colore veicolo:Grigio Metallo[gm] Specifiche Tecniche:Decalcato[D]
10	978940	Fianchetto dx grezzo	1	Colore veicolo:Grezzo[gr]
11	B063431	Paratia	1	
12	AP8150450	Rosetta per alberi D5	1	
13	GU91551086	Gommino	4	
14	AP8152339	Vite TBEI flangiata M5x9	2	
15	AP8102375	Clip m5	2	
16	2B000840	Fianchetto Sx	1	
17	2H000022000XN2	Fianchetto sx v.nero	1	Colore veicolo:Nero Competition[nc] Specifiche Tecniche:Decalcato[D]
17	2H000079000YE5	Fianchetto sx v.grigio	1	Colore veicolo:Grigio Metallo[gm] Specifiche Tecniche:Decalcato[D]
17	978943	Fianchetto sx grezzo	1	Colore veicolo:Grezzo[gr]

<b>Gruppo</b>	TELAIO
<b>Codice</b>	33.15
<b>Descrizione</b>	Carrozzeria post.l - Parafango
<b>Revisione</b>	1



Pos.	Codice	Descrizione	Q.ta	Varianti
1	978946	Parafango post.grezzo	1	Colore veicolo:Grezzo[gr]
1	97894600XN2	Parafango post.nero	1	Colore veicolo:Grigio Metallo[gm], Nero Competition[nc]
2	978947	Rinforzo	1	
3	AP8152278	Vite TE flangiata M6x16	4	
4	254485	Piastrina elastica M6	1	
5	GU98370831	Vite TBEI M8x30	2	
6	GU91120806	Distanziale	2	
7	GU95005310	Rosetta 8,4x18x2	2	
8	GU92630108	Dado	2	
9	AP8152279	Vite te flang. M6x20	2	
10	GU91180601	Distanziale 6,2x8x3	2	
11	AP8152329	Vite SWP t.croce flang. M5x20	3	
12	B063167	Paraspruzzi	1	
13	AP8121032	Bussola	6	
14	AP8152299	Dado autobloc.flang. M6	6	

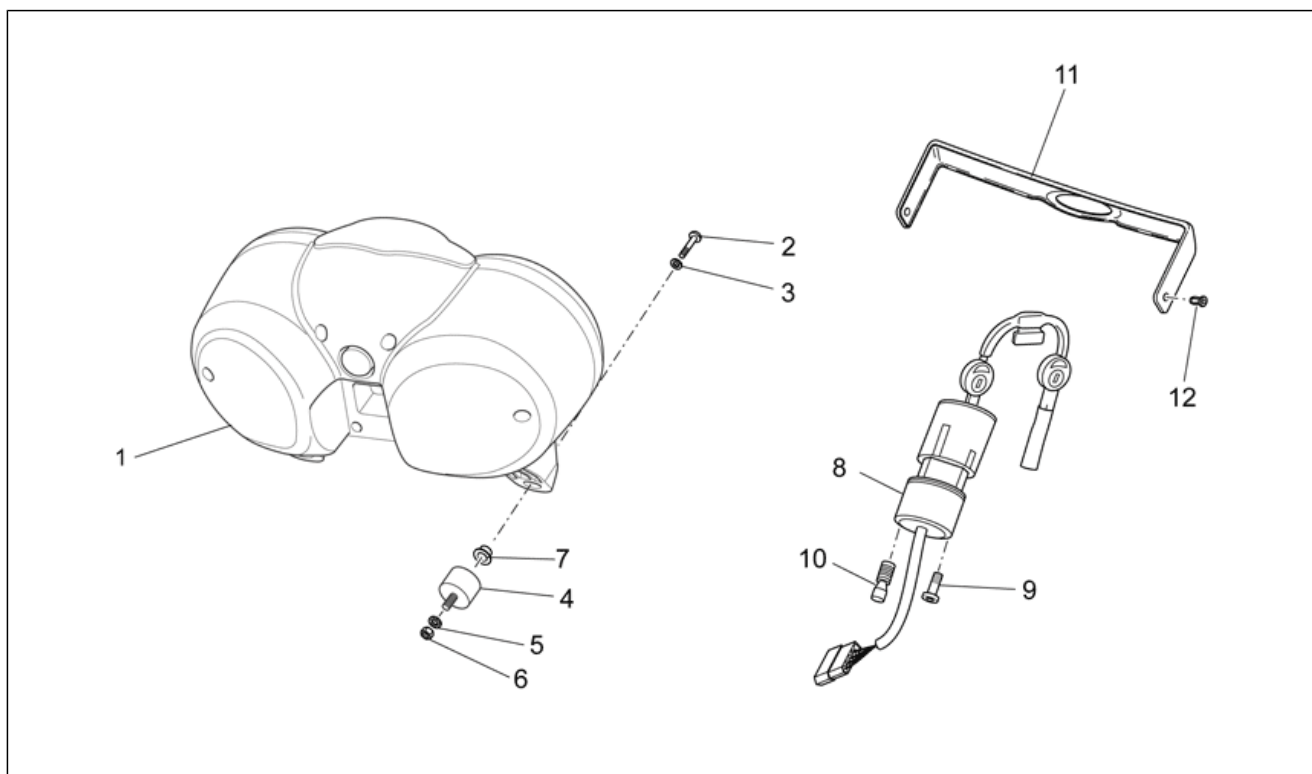
<b>Gruppo</b>	TELAIO
<b>Codice</b>	33.16
<b>Descrizione</b>	Carrozzeria post. II- Portatarga
<b>Revisione</b>	1



Pos.	Codice	Descrizione	Q.ta	Varianti
1	978949	Portatarga	1	
2	AP8134448	Supporto catadiottro	1	
3	AP8224164	Catadiottro rosso	1	
4	GU98230510	Vite TBEI	1	
5	AP8152306	Dado autobloc.flang. m5	1	
6	883470	Portatarga	1	Paese:Cina[CN]
7	AP8124718	Catadiottro rosso	2	Paese:Cina[CN]
8	GU92630204	Dado	6	Paese:Cina[CN]
9	883480	Fanale targa	1	Paese:Cina[CN]
10	GU32781910	Supporto catadiottro	2	Paese:Cina[CN]
11	AP8149034	Supporto targa	1	Paese:Cina[CN]
12	AP8152268	Vite TBEI speciale M5x16	7	Paese:Cina[CN]
13	AP8150248	Rosetta 5,5x15x1,6	7	Paese:Cina[CN]
14	GU05781630	Catadiottro ambra	1	Paese:Cina[CN]

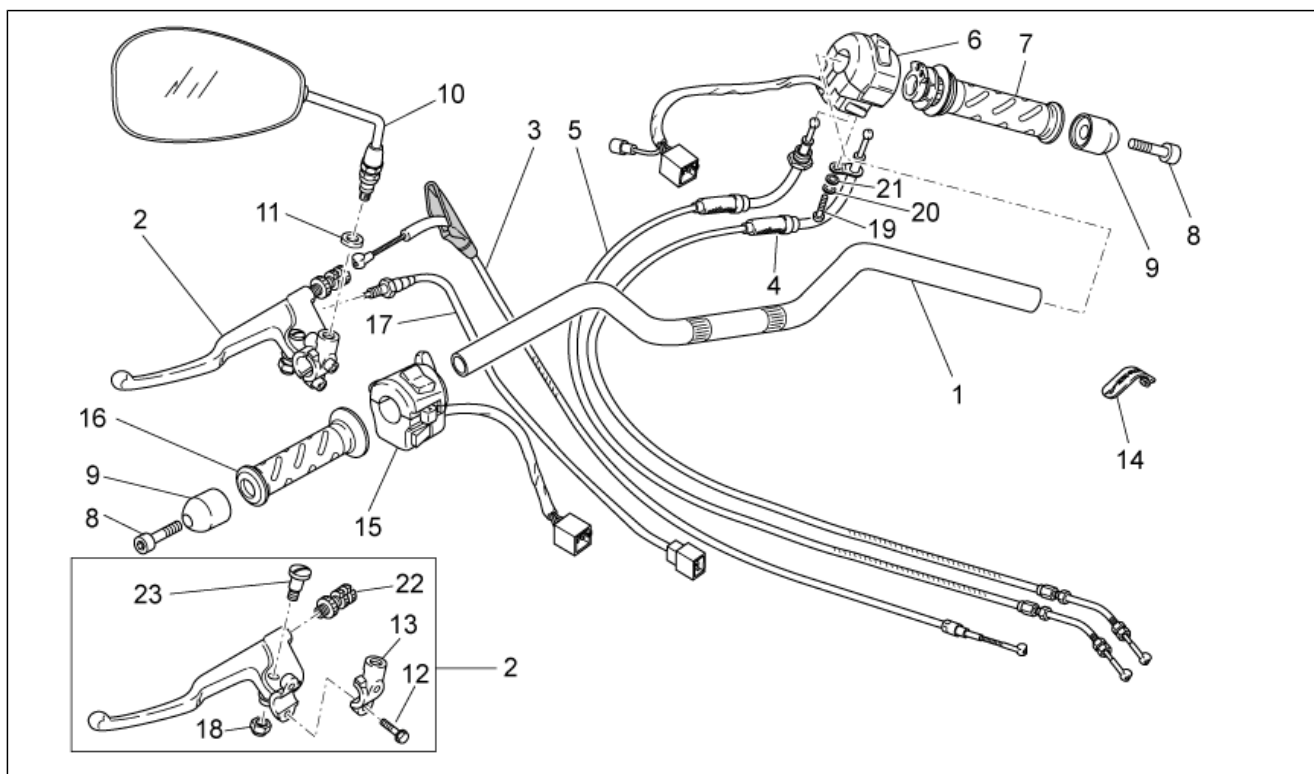


<b>Gruppo</b>	TELAIO
<b>Codice</b>	33.17
<b>Descrizione</b>	Cruscotto
<b>Revisione</b>	1



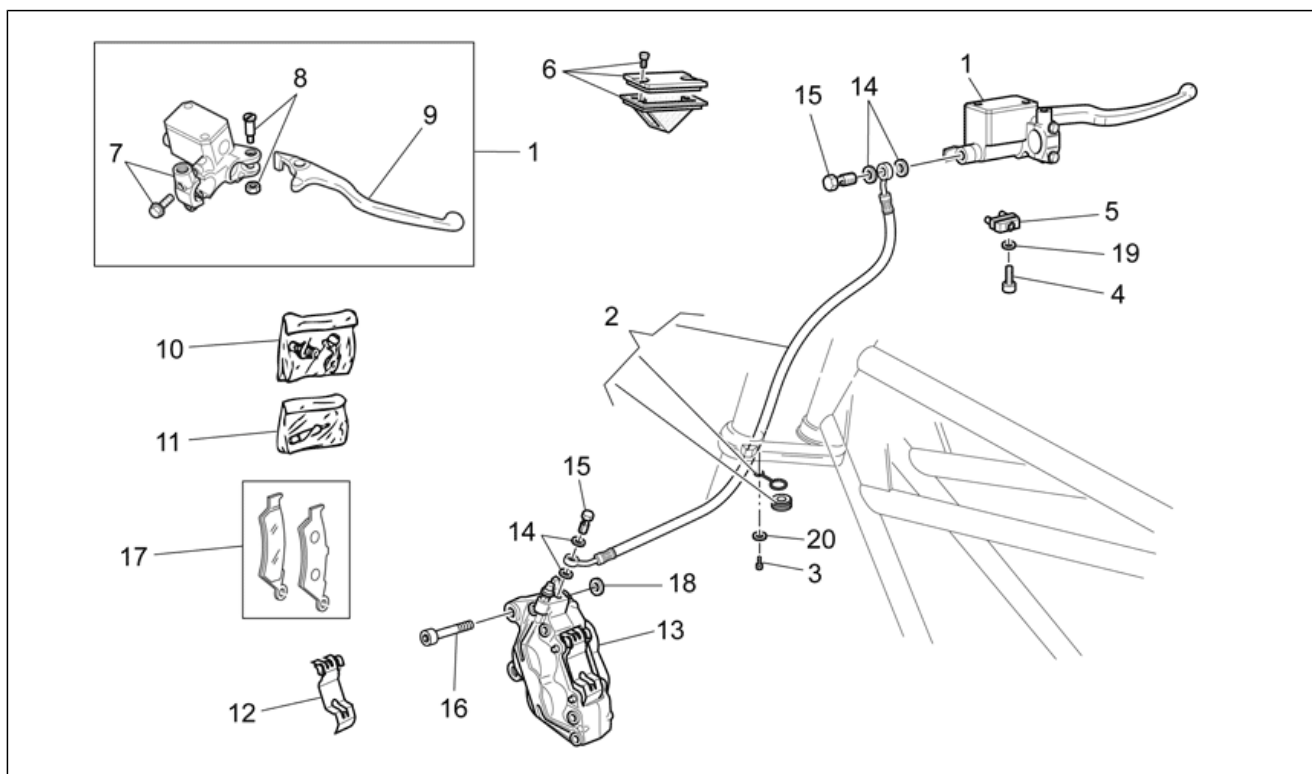
Pos.	Codice	Descrizione	Q.ta	Varianti
1	887194	Cruscotto cpl. km/h	1	Paese:Australia[AUS], europa[EU]
1	887195	Cruscotto cpl. MPH	1	Paese:Gran Bretagna[UK]
2	GU98370609	Vite TBEI M6x10	3	
3	GU95005306	Rosetta 6,4x13x1,5	3	
4	GU93222023	Silent-block	3	
5	GU95021206	Rosetta	3	
6	GU92606206	Dado	3	
7	AP8121032	Bussola	3	
8	GU32782510	Blocchetto avviamento-blocc.	1	
9	GU98682416	Vite TCEI M8x16	1	
10	AP8150349	Vite speciale M8x15	1	
11	883569	Coperchio	1	
12	GU23922210	Perno	2	

<b>Gruppo</b>	TELAIO
<b>Codice</b>	33.18
<b>Descrizione</b>	Manubrio - Comandi
<b>Revisione</b>	1



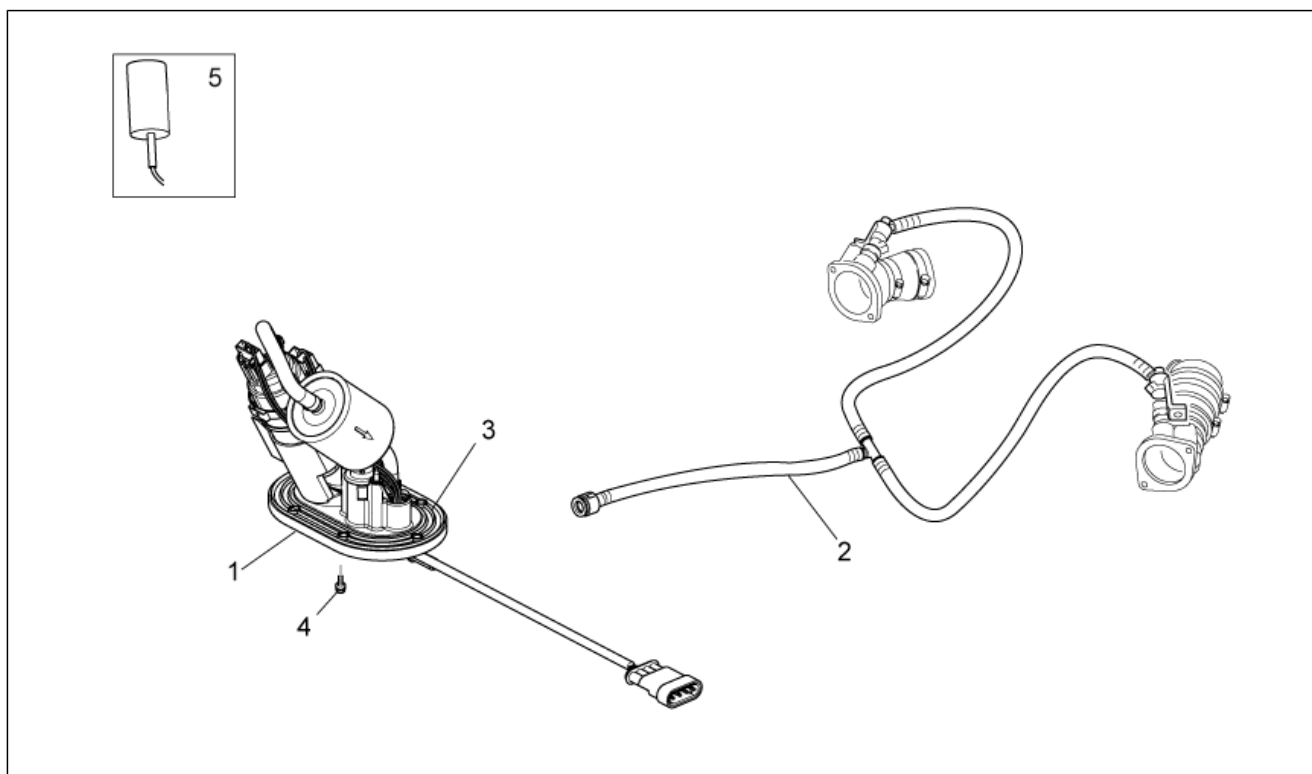
Pos.	Codice	Descrizione	Q.ta	Varianti
1	978960	Manubrio	1	
2	GU32605510	Leva frizione	1	
3	B063427	Cavo frizione	1	
4	887852	Cavo apertura gas	1	
5	887853	Cavo chiusura gas	1	
6	B063135	Devioluci dx	1	
7	GU32603310	Manopola dx	1	
8	GU98690335	Vite TCEI	2	
9	GU32602860	Peso antivibrante v.cromo	2	
10	883802	Specchio retrovisore dx/sx	2	Specifiche Tecniche: Marcato "FU E11 81R-001047"[FU]
10	978570	Specchio retrovisore dx/sx	2	Specifiche Tecniche: marcato "FAR"[FAR]
11	GU91181003	Distanziale 10,25X20X4	2	
12	GU97202325	Vite TE flang.nera M6x25	2	
13	GU30601060	Morsetto	1	
14	GU01609630	Fascetta L46 mm	2	
14	GU03609600	Fascetta L36 mm	1	
15	B063975	Devioluci sx	1	
16	GU32603010	Manopola sx	1	
17	GU29759150	Interruttore cavalletto	1	
18	AP8213388	Dado autobloc.	1	
19	GU98230510	Vite TBEI	1	
20	GU95008305	Rosetta 5,3X10X1	1	
21	GU95021105	Rosetta dentellata	1	
22	GU30602500	Registro	1	
23	AP8213028	Vite	1	

<b>Gruppo</b>	TELAIO
<b>Codice</b>	33.19
<b>Descrizione</b>	Impianto freno ant.
<b>Revisione</b>	1



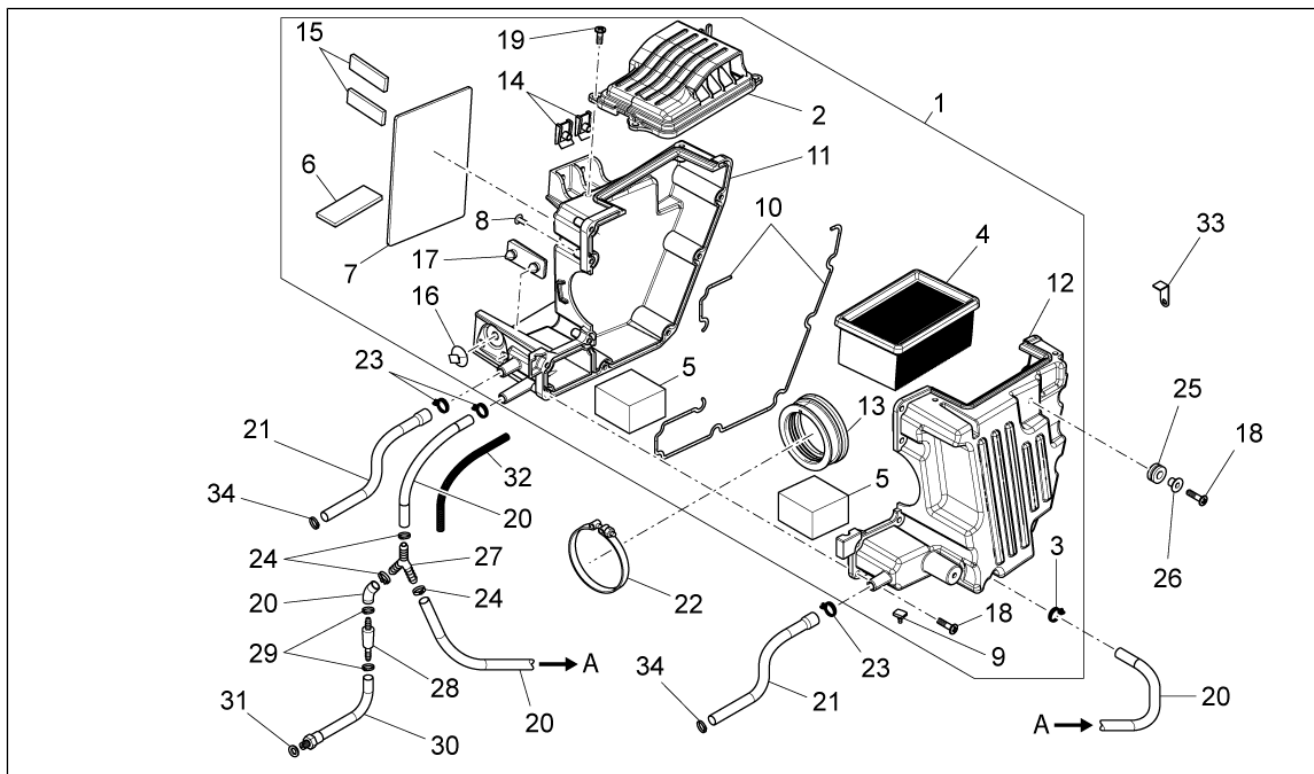
Pos.	Codice	Descrizione	Q.ta	Varianti
1	GU03660145	Pompa freno ant.	1	
2	GU32657110	Tubo freno	1	
3	AP8152277	Vite TE flangiata M6x12	1	
4	GU98370412	Vite TBEI M4x12	1	
5	GU03749845	Interruttore stop	1	
6	GU03661145	Coperchio pompa	1	
7	GU03664045	Cavallotto	1	
8	GU03604845	Perno leva	1	
9	GU03605645	Leva freno	1	
10	GU05659230	Spurgo+cappuccio	1	
11	GU01659130	Perni+Molle pinza	1	
12	GU01659131	Molla	1	
13	883303	Pinza freno ant.sx nera	1	
14	AP8121915	Guarnizione	4	
15	978323	Vite tubo olio *	2	
16	AP8152385	Vite TCEI M10x1,25	2	
17	GU01654630	Pastiglie-coppia	1	
18	GU91181003	Distanziale 10,25X20X4	2	
19	GU95021104	Rosetta 4,3x8x1,5	1	
20	GU95008306	Rosetta 6,4x12x1,2	1	

<b>Gruppo</b>	TELAIO
<b>Codice</b>	33.21
<b>Descrizione</b>	Pompa benz.
<b>Revisione</b>	1



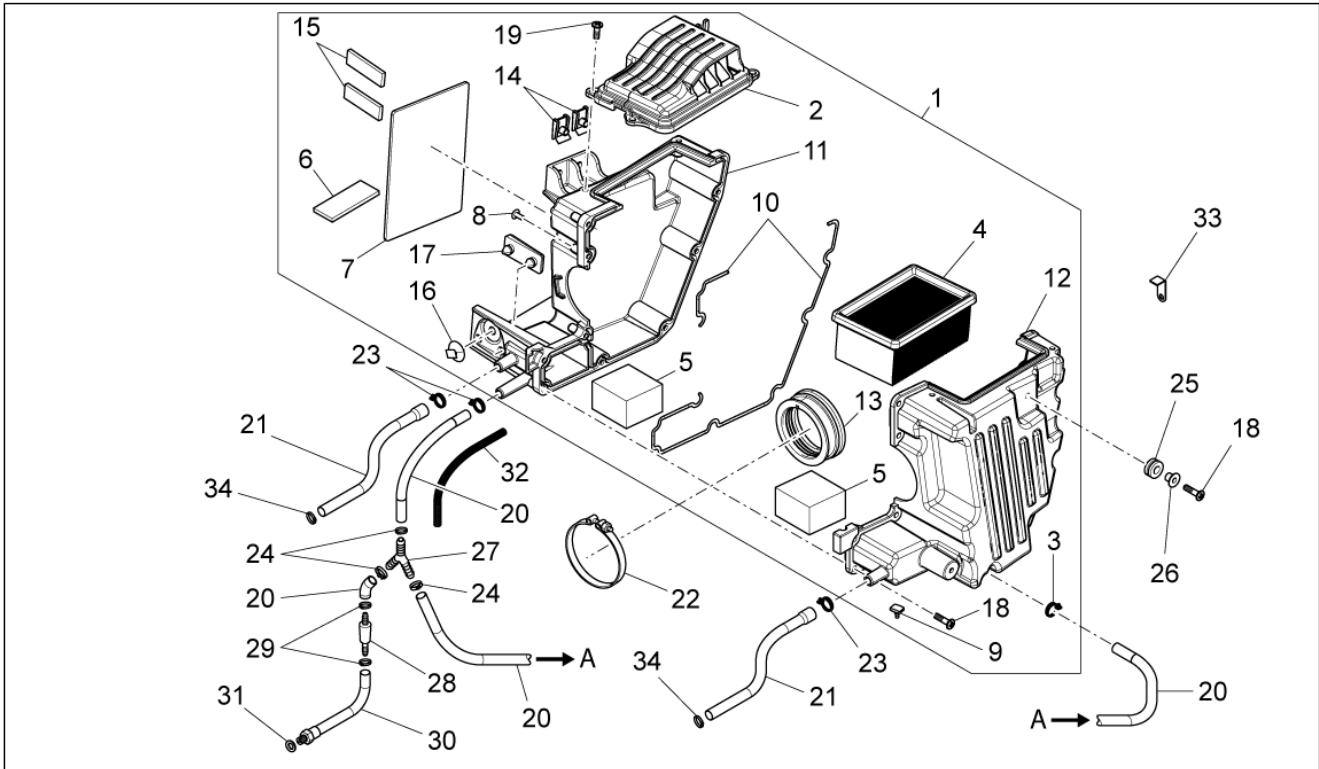
Pos.	Codice	Descrizione	Q.ta	Varianti
1	B063752	Pompa carburante	1	
2	2B000970	Tubo benzina	1	
3	GU05107430	Guarnizione flangia	1	
4	AP8152273	Vite flangiata M5X15	6	
5	887787	Sensore livello benz.	1	

<b>Gruppo</b>	TELAIO
<b>Codice</b>	33.22
<b>Descrizione</b>	Cassa filtro
<b>Revisione</b>	1



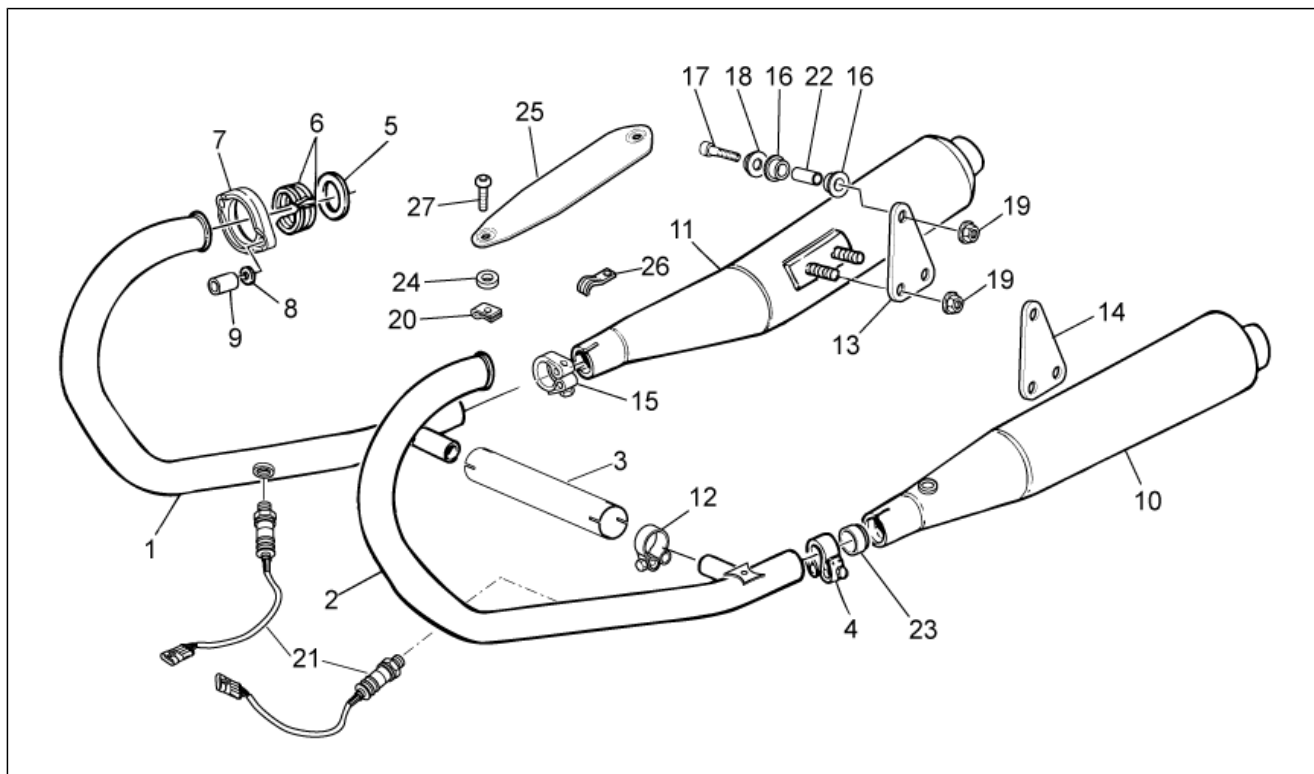
Pos.	Codice	Descrizione	Q.ta	Varianti
1	8878421	Scatola filtro completa	1	
2	887843	Coperchio filtro aria	1	
3	AP8201358	Fascetta D 11,9	1	
4	AP8104924	Filtro aria	1	
5	AP8104525	Filtro blow-by	2	
6	883127	Gomma 5mm	1	
7	AP8144553	Gomma	1	
8	AP8120876	Tappo di chiusura	2	
9	AP8120455	Gommino	1	
10	AP8120615	Guarnizione D3	2	
11	887844	Guscio dx cassa filtro	1	
12	887845	Guscio sx cassa filtro	1	
13	887815	Manicotto di aspirazione	1	
14	254485	Piastrina elastica M6	2	
15	AP8144538	Guarnizione	2	
16	890760	Supporto connettore	1	
17	AP8144729	Tampone fine corsa cavalletto	1	
18	AP8152329	Vite SWP t.croce flang. M5x20	11	
19	AP8150509	Vite autof. 5x14	4	
20	AP8120772	Tubo sfiato	3	
21	B063214	Tubazione blow-by	2	
22	GU93305061	Fascetta 61/65,5	1	
23	AP8102766	Fascetta	3	
24	AP8102765	Fascetta clic bianca D.13,5x6	3	
25	GU91551010	Gommino	2	
26	AP8221023	Bussola a 'T'	2	
27	2B000045	Raccordo a 3 vie	1	
28	AP8104996	Valvola antideflusso	1	

<b>Gruppo</b>	TELAIO
<b>Codice</b>	33.22
<b>Descrizione</b>	Cassa filtro
<b>Revisione</b>	1



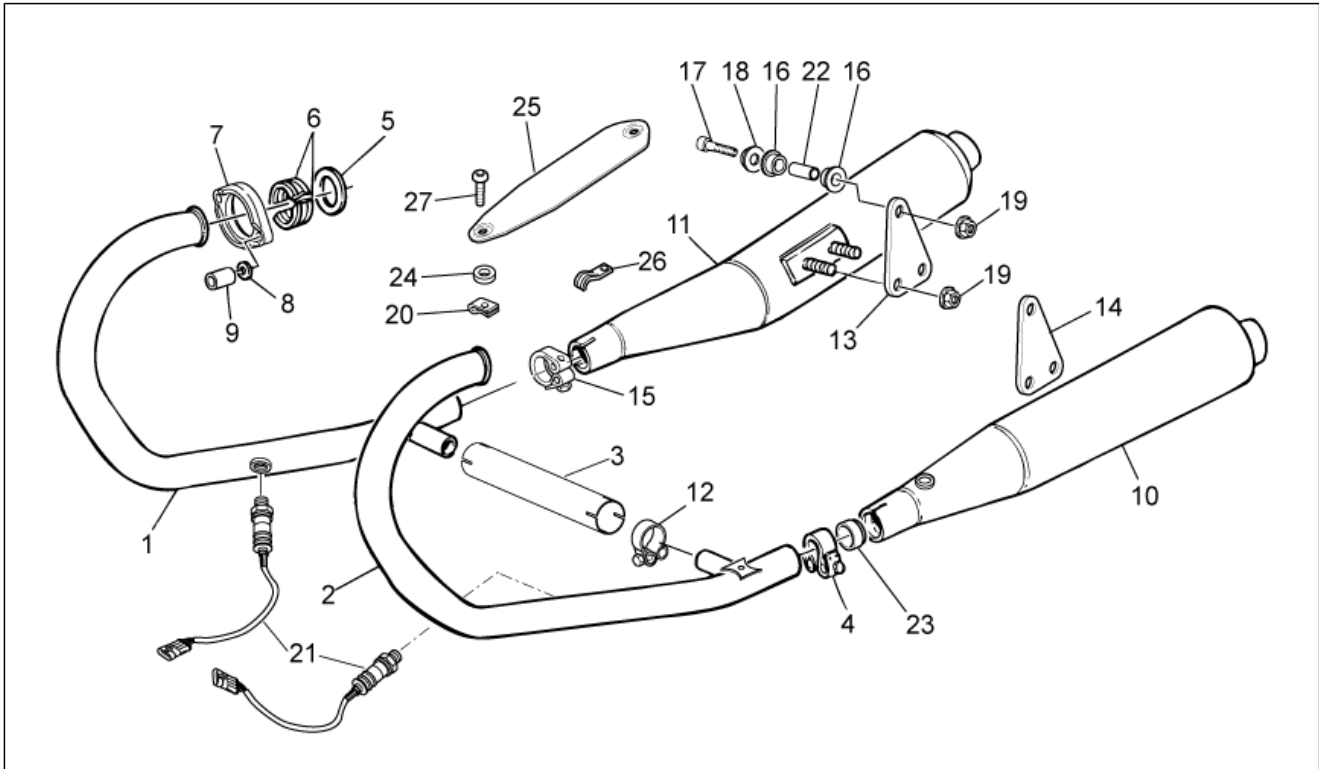
Pos.	Codice	Descrizione	Q.ta	Varianti
29	GU28157950	Fascetta clic 12,5x8	2	
30	B063213	Tubo recupero olio	1	
31	GU90714082	Guarnizione	1	
32	GU00823923140	Guaina termica	1	
33	GU31112965	Staffa supporto filtro	1	
34	AP8201358	Fascetta D 11,9	2	

<b>Gruppo</b>	TELAIO
<b>Codice</b>	33.23
<b>Descrizione</b>	Gruppo scarico
<b>Revisione</b>	1



Pos.	Codice	Descrizione	Q.ta	Varianti
1	887846	Tubo scarico dx	1	Paese:Australia[AUS], europa[EU], Gran Bretagna[UK]
1	B063854	Tubo scarico dx	1	Paese:Giappone[J]
2	887847	Tubo scarico sx	1	Paese:Australia[AUS], Cina[CN], europa[EU], Giappone[J], Gran Bretagna[UK]
2	B063855	Tubo scarico sx	1	Paese:Giappone[J]
3	B063022	Raccordo collettori scarico	1	
4	883294	Fascetta silenziatore sx	1	
5	GU19025280	Guarnizione	2	
6	GU19025460	Distanziale	4	
7	GU32121010	Ghiera	2	
8	GU03013800	Rosetta 6,4x12	4	
9	GU31121880	Dado	4	
10	2B000177	Silenziatore sx	1	
11	2B000176	Silenziatore dx	1	
12	978385	Fascetta	2	
13	883297	Piastra dx	1	
14	883298	Piastra sx	1	
15	883293	Fascetta silenziatore dx	1	
16	AP8144071	Gommino marmitta	4	
17	GU98690440	Vite TCEI M8x40	2	
18	AP8134378	Bussola fissaggio silenziatore	2	
19	GU92640508	Dado M8	6	
20	254485	Piastrina elastica M6	2	
21	896110	Sonda lambda l.660 mm	2	
22	AP8121072	Distanziale	2	
23	GU91113826	Boccola	2	
24	AP8120870	Rosetta isolante	4	
25	883704	Protezione anticalore marmitta	2	

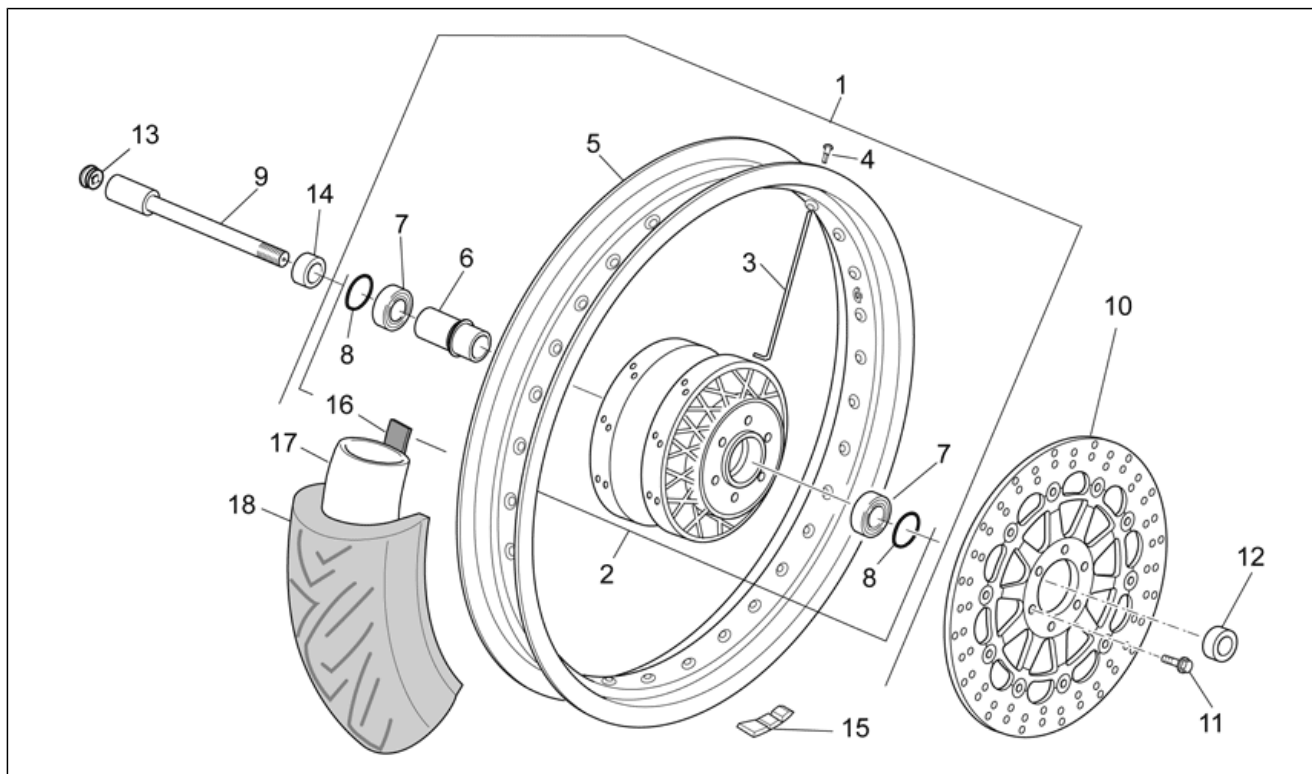
<b>Gruppo</b>	TELAIO
<b>Codice</b>	33.23
<b>Descrizione</b>	Gruppo scarico
<b>Revisione</b>	1



Pos.	Codice	Descrizione	Q.ta	Varianti
26	GU93301175	Cavallotto	1	
27	GU98210612	Vite TBEI flangiata M6x12	4	

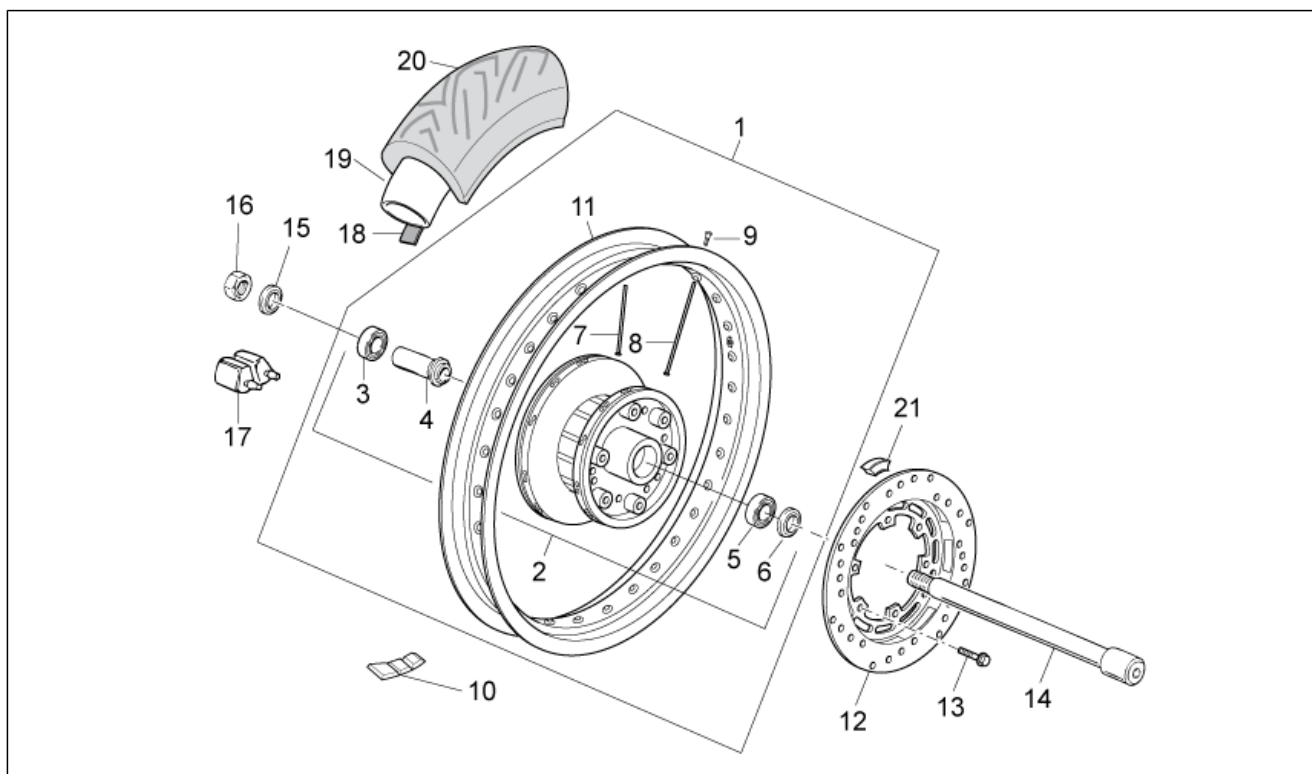


<b>Gruppo</b>	TELAIO
<b>Codice</b>	33.24
<b>Descrizione</b>	Ruota anteriore I
<b>Revisione</b>	1



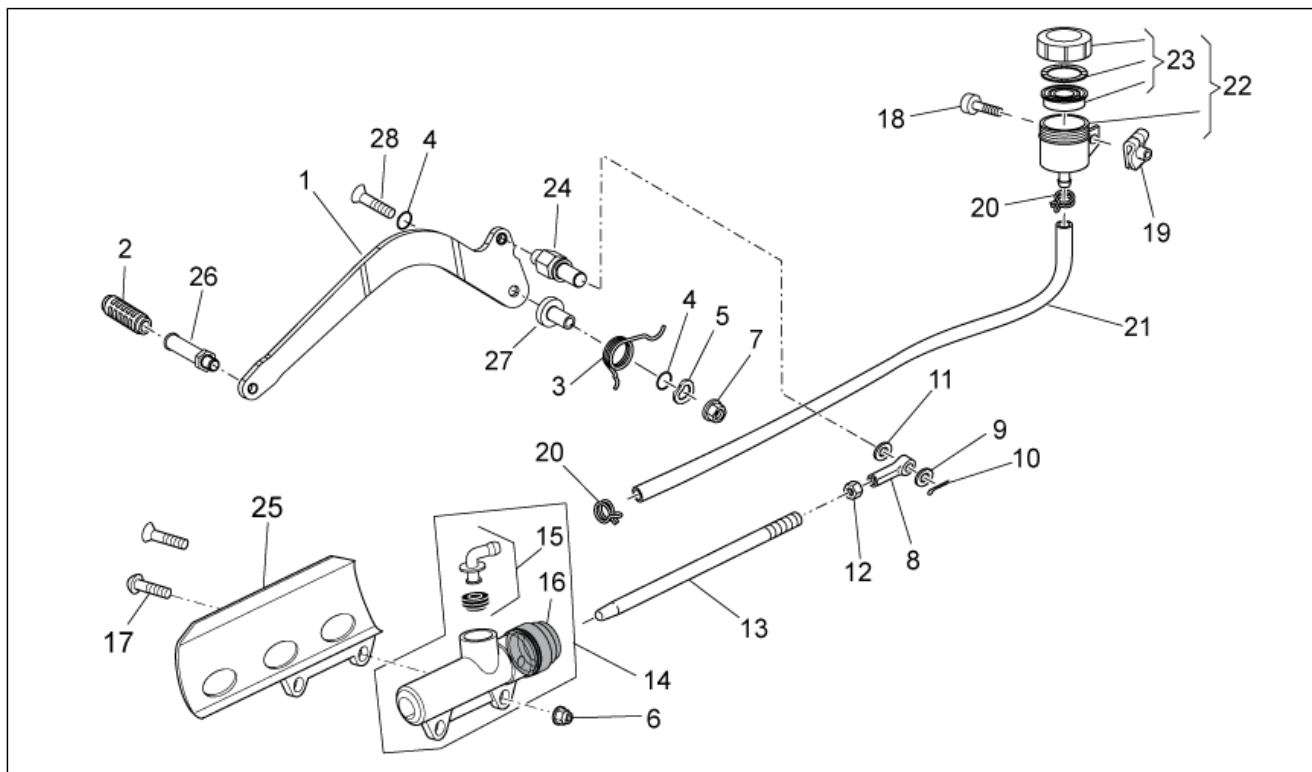
Pos.	Codice	Descrizione	Q.ta	Varianti
1	B063702	Ruota ant. 2,5x18" Black	1	
2	GU32613160	Mozzo ant.	1	
3	B063144	Raggio ruota ant.	36	
4	GU03631250	Nipples	36	
5	B063077	Cerchio ant. nero 2.5X18"	1	
6	GU31615283	Distanziale cuscinetti	1	
7	GU92204221	Cuscinetto	2	
8	GU90402642	Anello di tenuta	1	
9	GU31614183	Perno ruota ant.	1	
10	883688	Disco freno ant. 320	1	
11	AP8152286	Vite te flang. M8x20	6	
12	GU31616384	Distanziale sx	1	
13	GU93180111	Tappo 15 mm	1	
14	GU32615660	Distanziale dx	1	
15	GU14616150	Contrappeso	1	
16	GU03612040	Fascia paraniplo	1	
17	GU31610160	Camera d'aria MB 18	1	
18	886679	Copertone 100/90 18	1	

<b>Gruppo</b>	TELAIO
<b>Codice</b>	33.25
<b>Descrizione</b>	Ruota posteriore I
<b>Revisione</b>	1



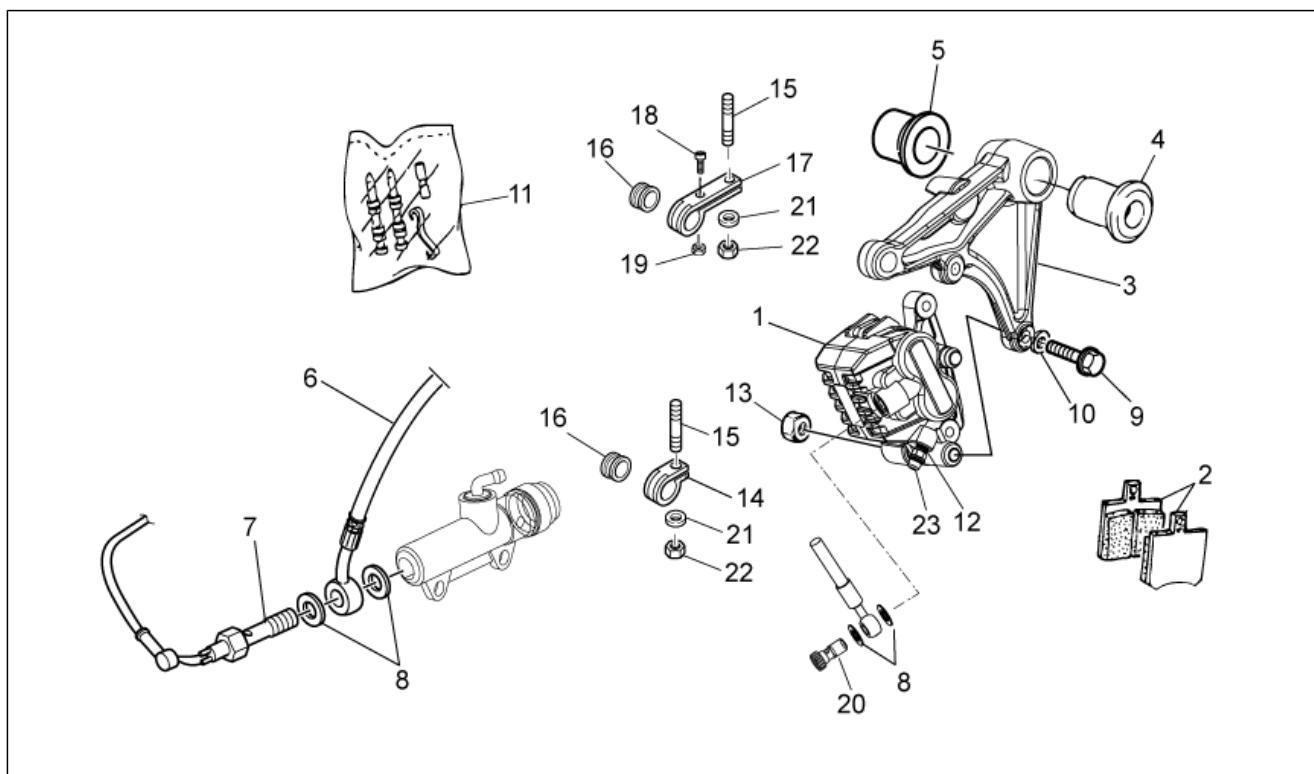
Pos.	Codice	Descrizione	Q.ta	Varianti
1	B063704	Ruota post.cpl. 3,5x17" Black	1	
2	GU32692260	Mozzo	1	
3	GU92204218	Cuscinetto	1	
4	GU27633910	Distanziale	1	
5	GU92204217	Cuscinetto	1	
6	GU90402538	Anello di tenuta 25x40x7	1	
7	883350	Raggio corto	18	
8	883349	Raggio lungo mm 158	18	
9	GU03631250	Nipples	36	
10	GU14616150	Contrappeso	1	
11	B063078	Cerchio post. 3,5"x17" Black	1	
12	887448	Disco freno	1	
13	894505	Vite te flang. M8x18	6	
14	GU32633360	Perno ruota post.	1	
15	GU31634481	Rosetta	1	
16	GU92606316	Dado M16x1,5	1	
17	GU32632510	Elemento parastrappi	6	
18	GU28612033	Fascia paraniplo	1	
19	GU30630430	Camera d'aria MD 17	1	
20	886680	Copertone 130/80 17	1	
21	GU32636160	Gomma	1	

<b>Gruppo</b>	TELAIO
<b>Codice</b>	33.26
<b>Descrizione</b>	Pompa freno post.
<b>Revisione</b>	1



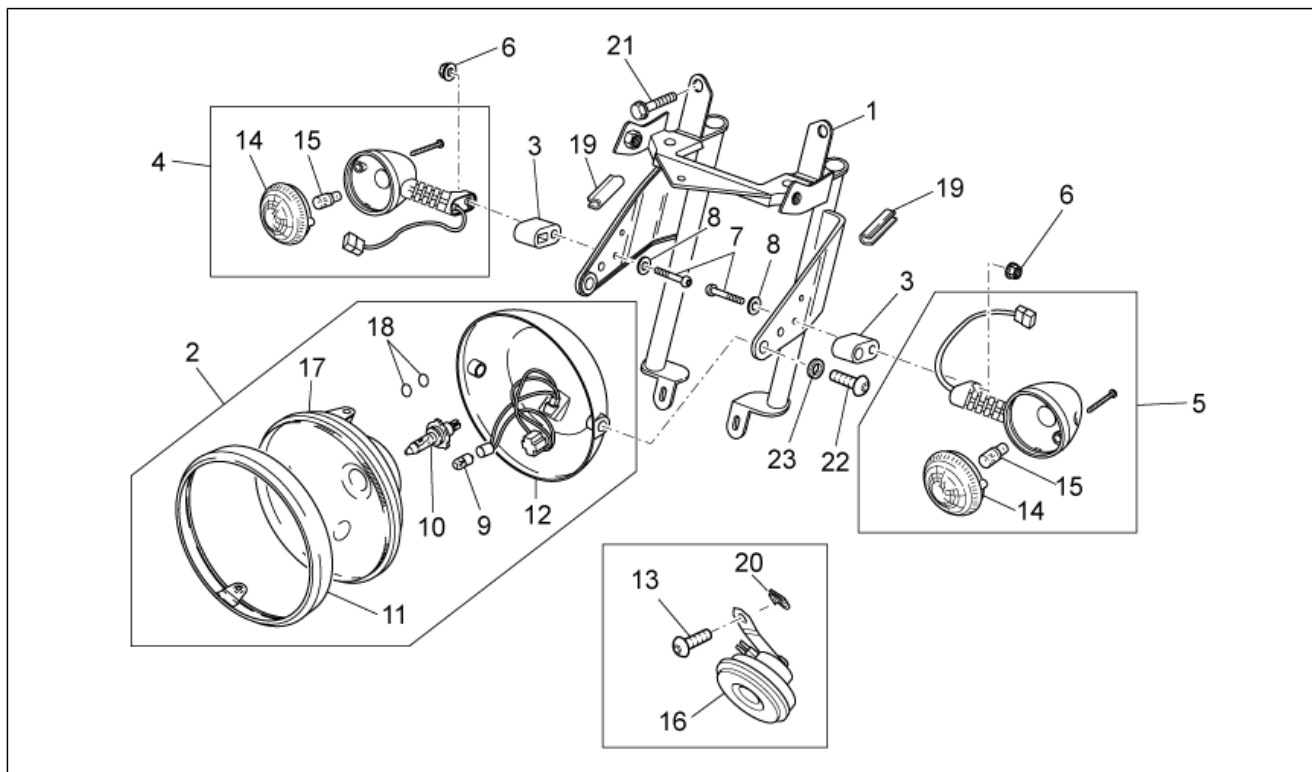
Pos.	Codice	Descrizione	Q.ta	Varianti
1	887910	Leva freno	1	
2	AP8120912	Gommino per leva	1	
3	978969	Molla	1	
4	AP8144007	Anello OR 11,11x1,78	2	
5	GU95005310	Rosetta 8,4x18x2	1	
6	GU92630206	Dado M6x1	2	
7	GU92660021	Dado flangiato M8	1	
8	GU18257551	Blocchetto	1	
9	GU95005308	Rosetta 8,4x14,57x1,6	1	
10	GU95500221	Copiglia	1	
11	658837	Rosetta elastica ondulata D15 F8,4 S1,5 - INOX	1	
12	GU92609007	Dado	1	
13	978970	Asta pompa freno	1	
14	AP8133643	Pompa freno post.	1	
15	AP8213057	Raccordo pompa post.	1	
16	AP8113288	Soffietto in gomma	1	
17	GU98370625	Vite TBEI	2	
18	AP8152298	Vite TBEI flangiata M5x16	1	
19	248419	Piastrina elastica m5	1	
20	AP8101594	Fascetta D10,1*	2	
21	GU00823950050	Tubo olio	1	
22	AP8113241	Serbatoio olio freni cpl.	1	
23	AP8113553	Tappo serbatoio	1	
24	887911	Perno leva freno	1	
25	GU01665410	Protezione pompa freno nero	1	
26	887908	Pedalino	1	
27	887952	Bussola leva freno post.	1	
28	B063443	Vite TSPEI M8x50	1	

<b>Gruppo</b>	TELAIO
<b>Codice</b>	33.27
<b>Descrizione</b>	Pinza freno post.
<b>Revisione</b>	1



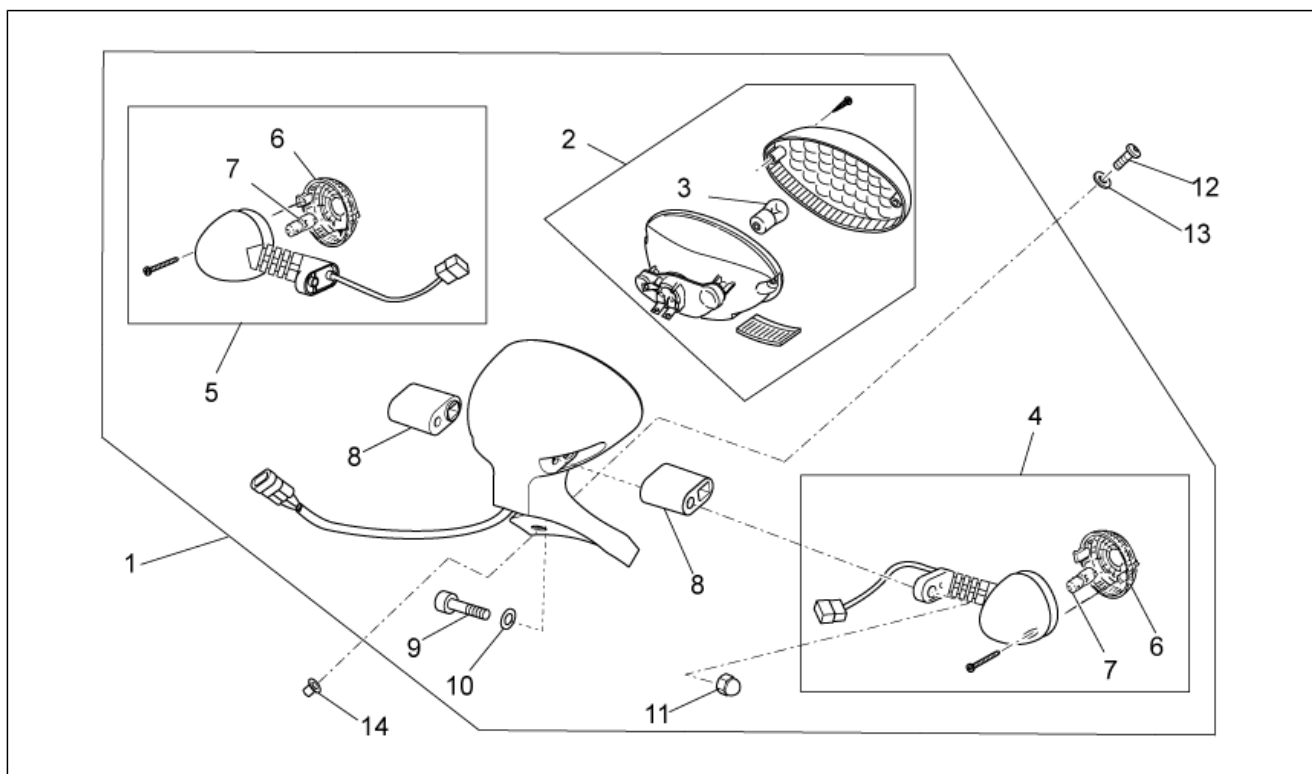
Pos.	Codice	Descrizione	Q.ta	Varianti
1	887449	Pinza freno posteriore	1	
2	AP8133798	Pastiglie-coppia	1	
3	887431	Piastra supporto pinza freno	1	
4	GU31634281	Boccola	1	
5	GU32634160	Distanziale	1	
6	B063750	Tubo freno posteriore in gomma	1	
7	883192	Interruttore idraulico	1	
8	AP8121915	Guarnizione	4	
9	AP8152288	Vite TE flangiata	2	
10	GU03270300	Rosetta 8,4x15	2	
11	AP8133799	Perni+Molle pinza	1	
12	AP8133800	Spurgo aria	1	
13	AP8152300	Dado autobloc.flang. M8	2	
14	GU03658430	Fascetta	1	
15	GU96451316	Prigioniero	1	
16	GU03658201	Anello	2	
17	GU03658330	Fascetta	1	
18	AP8152043	Vite TCEI M4x10	1	
19	AP8150204	Dado M4	1	
20	AP8113003	Vite tubo olio *	1	
21	GU95008306	Rosetta 6,4x12x1,2	2	
22	AP8152299	Dado autobloc.flang. M6	2	
23	AP8213575	Cappuccio spurgo aria	1	

<b>Gruppo</b>	TELAIO
<b>Codice</b>	33.28
<b>Descrizione</b>	Fanaleria anteriore
<b>Revisione</b>	1



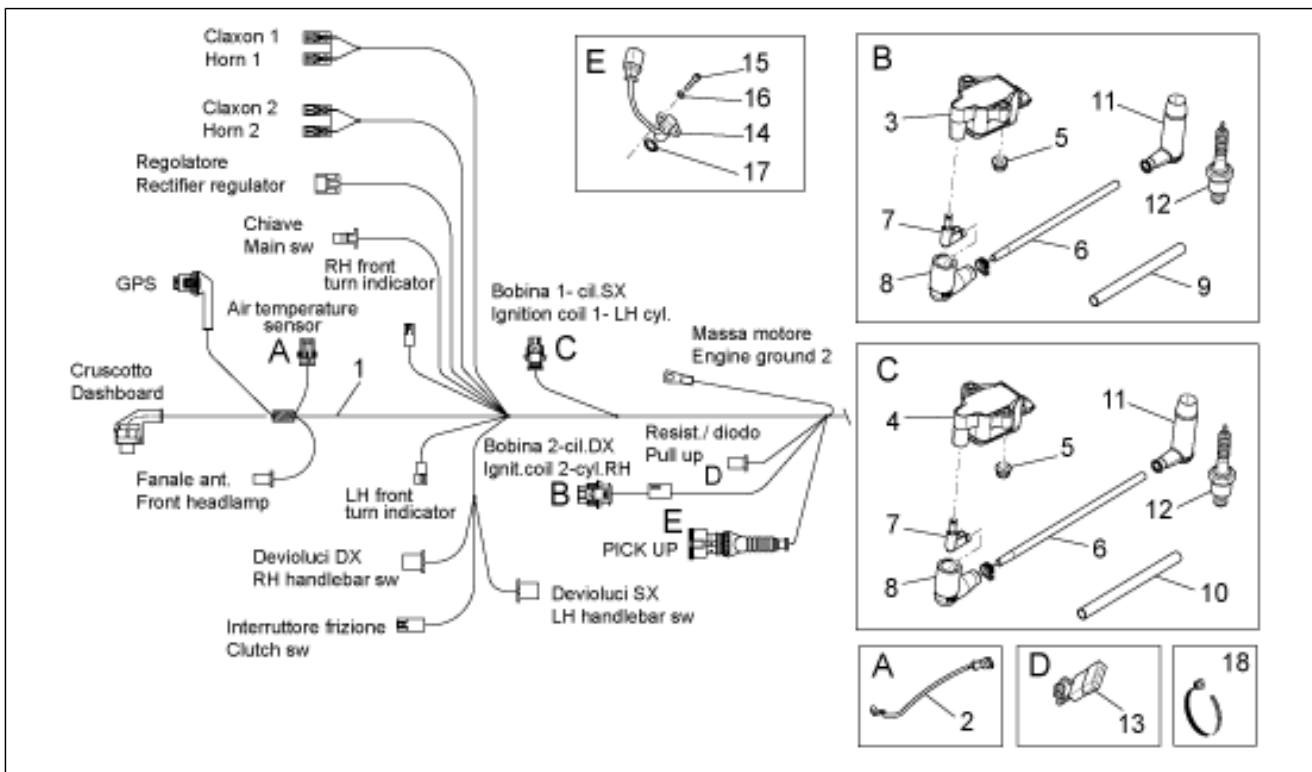
Pos.	Codice	Descrizione	Q.ta	Varianti
1	GU32506360	Staffa supporto fanale	1	
2	978311	Fanale ant.	1	
2	978662	Fanale ant.c/o guida sx	1	Paese:Australia[AUS], Giappone[J]
3	GU32753410	Distanziale	2	
4	887826	Indicatore dire.ant.dx/post.sx	1	
5	887827	Indicatore dire.ant.sx/post.dx	1	
6	GU92787006	Dado cieco M6x1	2	
7	GU98370655	Vite TBEI	2	
8	GU95021206	Rosetta	2	
9	GU93450105	Lampada	1	
10	GU93450232	Lampada 12V-55/60W	1	
11	GU31740383	Ghiera cromata	1	
12	981149	calotta nera	1	
13	AP8150377	Vite	2	
14	B063735	Vetro indicatore dire.	2	
15	GU93450126	Lampada arancio	2	
16	890979	Claxon	1	
17	GU06740400	Gruppo ottico	1	
18	883417	Anello OR	2	
19	GU00823931055	Guarnizione	1	
20	254485	Piastrina elastica M6	2	
21	GU98880540	Vite M10x40	2	
22	GU98692420	Vite TCEI M8x20	2	
23	GU95005308	Rosetta 8,4x14,57x1,6	2	

<b>Gruppo</b>	TELAIO
<b>Codice</b>	33.29
<b>Descrizione</b>	Fanaleria posteriore
<b>Revisione</b>	1



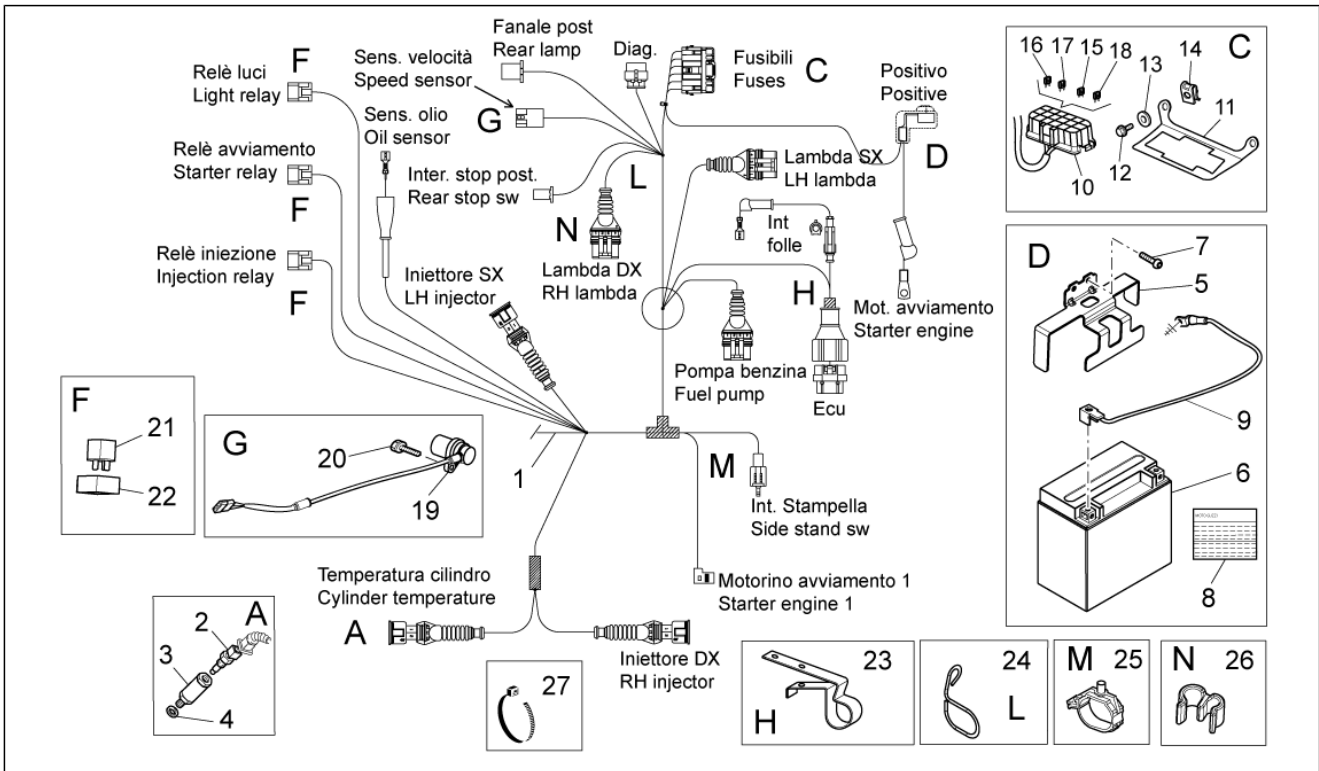
Pos.	Codice	Descrizione	Q.ta	Varianti
1	887877	Fanale post. cpl.	1	
2	GU03740930	Fanale post.	1	
3	GU93450224	Lampada	1	
4	887826	Indicatore dire.ant.dx/post.sx	1	
5	887827	Indicatore dire.ant.sx/post.dx	1	
6	B063735	Vetro indicatore dire.	2	
7	GU93450126	Lampada arancio	2	
8	GU32753410	Distanziale	2	
9	GU98370655	Vite TBEI	2	
10	GU95021206	Rosetta	2	
11	GU92787006	Dado cieco M6x1	2	
12	GU98350215	Vite TBEI	3	
13	GU30577800	Rosetta in nylon 5,5X12X1	3	
14	GU93231605	Bussola antivib.	3	

<b>Gruppo</b>	TELAIO
<b>Codice</b>	33.30
<b>Descrizione</b>	Impianto elettrico I
<b>Revisione</b>	1



Pos.	Codice	Descrizione	Q.ta	Varianti
1	887825	Cablaggio principale	1	
2	AP8124936	Sensore temperatura aria	1	
3	642034	Bobina A.T. DX	1	
4	641901	Bobina A.T.	1	
5	AP8152299	Dado autobloc.flang. M6	4	
6	080341	Cavo base A.T.	2	
7	641725	Terminale A.T.	2	
8	641040	Cappuccio isolante	2	
9	CM0074D0	Guaina D.8-S.0,5-L.370	1	
10	CM0074C9	Guaina cavo grigia D.8-S.0,5-L.435	1	
11	GU02717450	Pipetta candela NGK	2	
12	887481	Candela NGK CPR8EB-9	2	
13	887948	Diodo	1	
14	832029	Sensore ruota fonica	1	
15	GU98682212	Vite TCEI M5x12	2	
16	GU95008205	Rosetta 5,3x10x0,8	2	
17	GU90706141	Anello OR	1	
18	AP8120416	Fascetta nera 178x4	1	
18	GU14609650	Fascetta 3,6x20,6	31	
18	GU49609601	Fascetta 2,4x92	1	

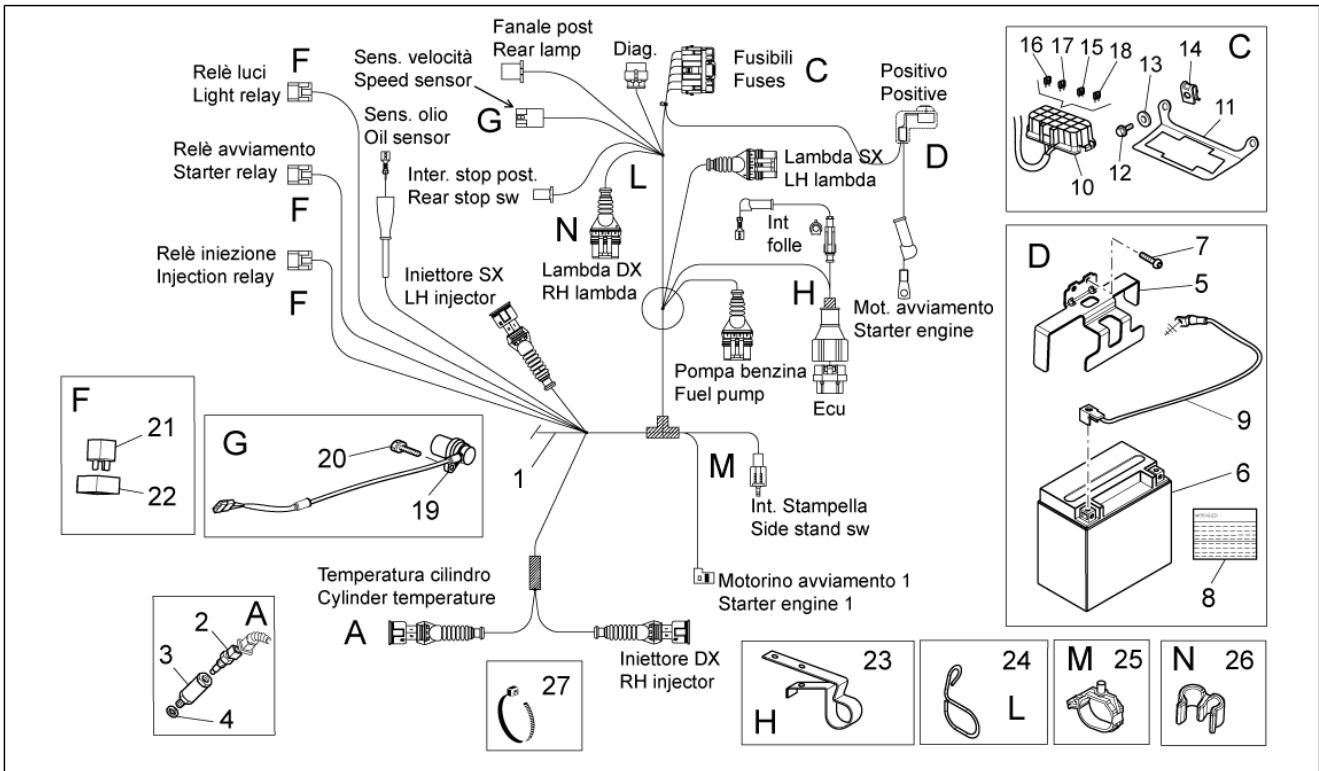
<b>Gruppo</b>	TELAIO
<b>Codice</b>	33.31
<b>Descrizione</b>	Impianto elettrico II
<b>Revisione</b>	1



Pos.	Codice	Descrizione	Q.ta	Varianti
1	887825	Cablaggio principale	1	
2	GU29729461	Sensore temperatura olio	1	
3	GU03163330	Supporto sensore	1	
4	GU95004210	Rosetta 10,2x18x2	1	
5	B063233	Staffa batteria	1	
6	638733	Batteria Yuasa 12V-12Ah (150x85x145)	1	
7	GU98370616	Vite TBEI M6x16 inox	2	
8	GU32517710	Decalco "Battery service"	1	
9	GU32747910	Cablaggio massa-batteria	1	
10	584211	Scatola portafusibili	1	
11	883161	Supporto portafusibili	1	
12	GU98682212	Vite TCEI M5x12	2	
13	GU95100059	Rosetta 5,25x14x1,5	2	
14	AP8102375	Clip m5	2	
15	CM225705	Fusibile 5A	2	
16	CM225710	Fusibile 10A	1	
17	CM225715	Fusibile 15A	2	
18	CM225730	Fusibile 30A	1	
19	893570	Sensore tachimetro cpl.	1	
20	AP8150377	Vite	1	
21	AP8224462	Rele' 12V/30A	3	
22	AP8220283	Gommino *	3	
23	B043850	Fascetta	1	
24	AP8181140	Passacavo	1	
25	CM013202	Molletta ritegno tubi/cavi	1	
26	894704	Passacavo	1	
27	AP8120416	Fascetta nera 178x4	1	
27	GU14609650	Fascetta 3,6x20,6	21	

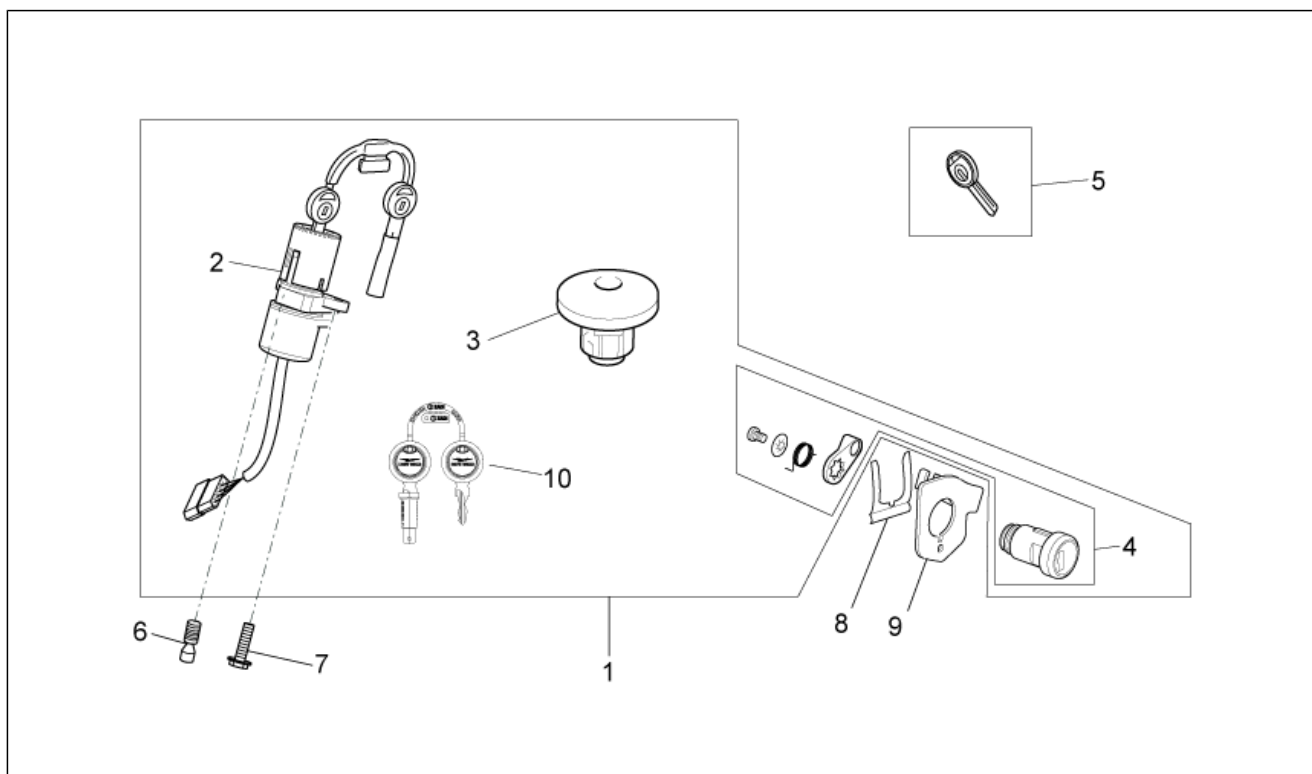


<b>Gruppo</b>	TELAIO
<b>Codice</b>	33.31
<b>Descrizione</b>	Impianto elettrico II
<b>Revisione</b>	1



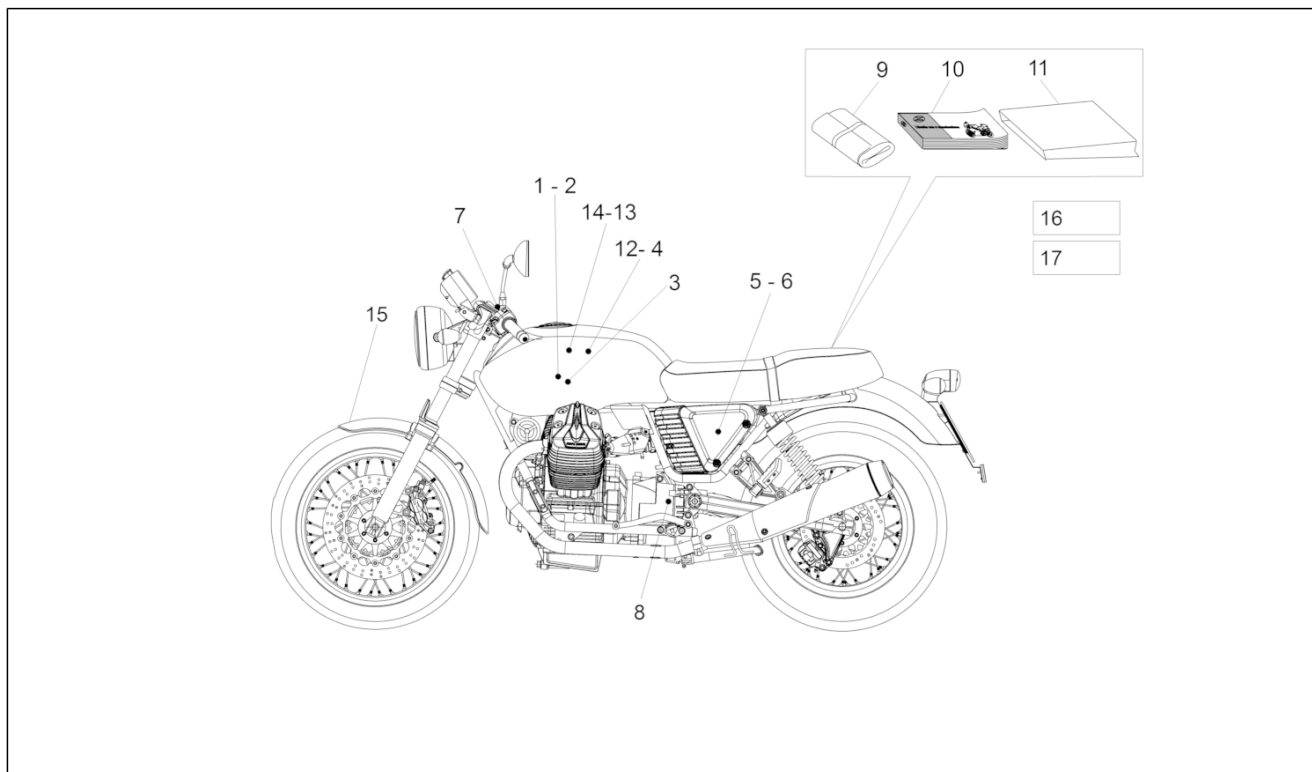
Pos.	Codice	Descrizione	Q.ta	Varianti
27	GU49609601	Fascetta 2,4x92	1	

<b>Gruppo</b>	TELAIO
<b>Codice</b>	33.32
<b>Descrizione</b>	Kit serrature
<b>Revisione</b>	1



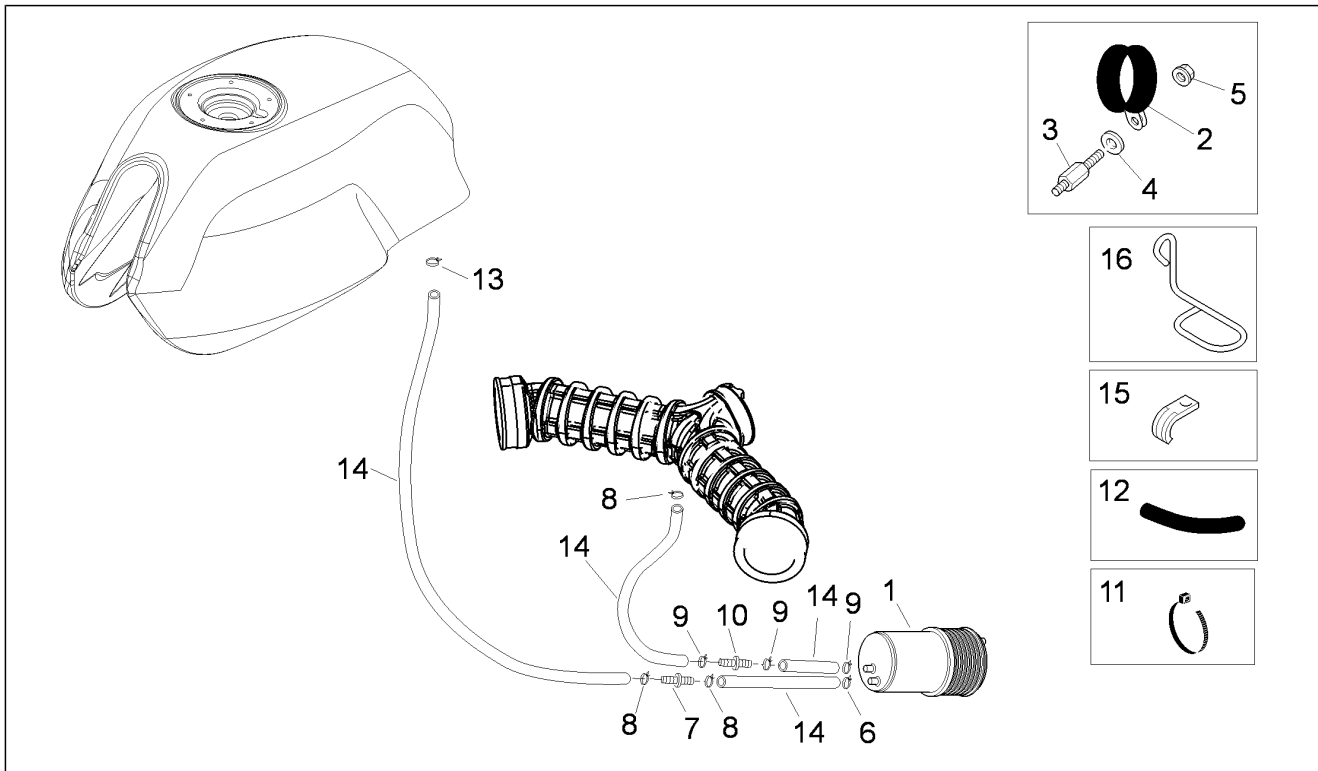
Pos.	Codice	Descrizione	Q.ta	Varianti
1	883477	Kit serrature	1	Paese:Cina[CN]
1	887873	Kit serrature	1	
2	GU32782510	Blocchetto avviamento-blocc.	1	
3	883476	Tappo serbatoio	1	Paese:Cina[CN]
3	887874	Tappo serbatoio	1	
4	977527	Serratura completa di chiavi	1	
5	GU32735510	Chiave liscia grezzo-guscio go	1	
6	AP8150349	Vite speciale M8x15	1	
7	GU98682416	Vite TCEI M8x16	1	
8	AP8121420	Molla a forcella	1	
9	978415	Piastrina supporto cavo	1	
10	2D000006	Cilindretto serratura con chiave per tappo benzina	1	

<b>Gruppo</b>	TELAIO
<b>Codice</b>	33.33
<b>Descrizione</b>	Decalco e Targhette
<b>Revisione</b>	1



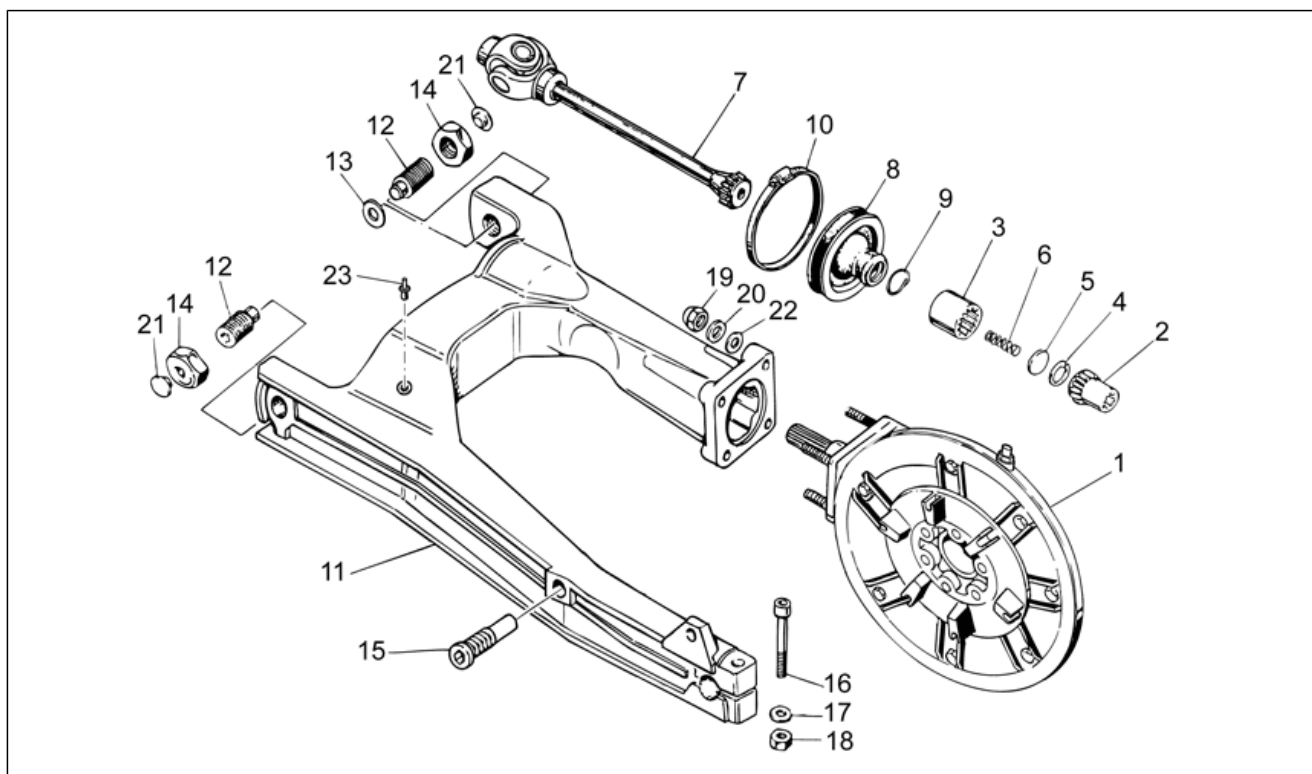
Pos.	Codice	Descrizione	Q.ta	Varianti
1	886340	Targhetta Aquila	1	
2	887930	Targhetta SX Aquila	1	
3	887931	Targhetta "Moto Guzzi"	2	
4	2H000025	Decalco fascia post. dx serbatoio	1	Colore veicolo:Nero Competition[nc]
4	2H000082	Decalco fascia post. dx serbatoio	1	Colore veicolo:Grigio Metallo[gm]
5	2H000027	Decalco fiancatina dx	1	Colore veicolo:Nero Competition[nc]
5	2H000084	Decalco fiancatina dx	1	Colore veicolo:Grigio Metallo[gm]
6	2H000028	Decalco fiancatina sx	1	Colore veicolo:Nero Competition[nc]
6	2H000085	Decalco fiancatina sx	1	Colore veicolo:Grigio Metallo[gm]
7	883598	Decalco "Aquila"	1	
8	895839	Targhetta "Eni"	2	
9	887443	Trousse attrezzi	1	
10	2Q000043	Libretto uso e manut. I-F-D-NL-E-UK	1	
10	2Q000045	Libretto uso e manutenzione JP-EN	1	Paese:Giappone[J], Gran Bretagna[UK]
10	2Q000054	Libretto uso e manutenzione ZN-EN-IT-DE	1	Paese:Cina[CN]
11	GU05900130	Sacchetto per documenti	2	
12	2H000026	Decalco fascia post. sx serbatoio	1	Colore veicolo:Nero Competition[nc]
12	2H000083	Decalco fascia post. sx serbatoio	1	Colore veicolo:Grigio Metallo[gm]
13	2H000024	Decalco fascia ant. sx serbatoio	1	Colore veicolo:Nero Competition[nc]
13	2H000081	Decalco fascia ant. sx serbatoio	1	Colore veicolo:Grigio Metallo[gm]
14	2H000023	Decalco fascia ant. dx serbatoio	1	Colore veicolo:Nero Competition[nc]
14	2H000080	Decalco fascia ant. dx serbatoio	1	Colore veicolo:Grigio Metallo[gm]
15	886141	Decalco "Aquila"	1	
16	2G000013	Decalco schema shed	1	Paese:Cina[CN]
16	GU03995730	Decalco "Unleaded Fuelonly"	1	Paese:Australia[AUS]
17	GU32944310	Decalco protezione	2	

<b>Gruppo</b>	TELAIO
<b>Codice</b>	33.48
<b>Descrizione</b>	Impianto recupero vapori benzina
<b>Revisione</b>	1



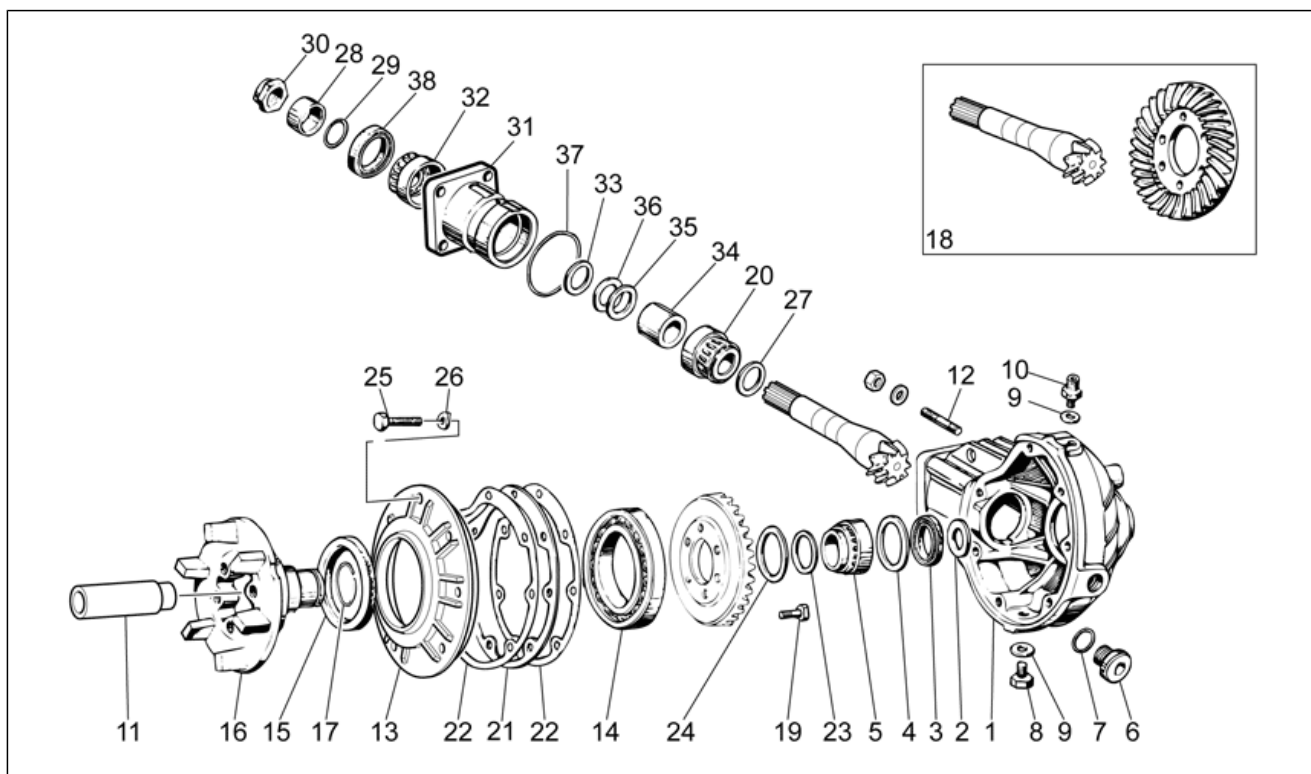
Pos.	Codice	Descrizione	Q.ta	Varianti
1	AP8102678	Filtro a carboni	1	
2	AP8102688	Fascetta d.76	1	
3	GU32439260	Supporto canister USA	1	
4	GU95005308	Rosetta 8,4x14,57x1,6	1	
5	AP8152299	Dado autobloc.flang. M6	1	
6	AP8102159	Fascetta	1	
7	860138	Valvola	1	
8	GU28157950	Fascetta clic 12,5x8	4	
9	AP8120446	Fascetta clic verde D11x6,6x1	2	
10	AP8121267	Codolo strozzatura	1	
11	AP8120416	Fascetta nera 178x4	1	
12	GU00823923140	Guaina termica	4	
13	AP8201358	Fascetta D 11,9	1	
14	856063	Tubo SAE 30 d.12,7x6,35	3	
15	GU93301313	Cavallotto	1	
16	AP8221114	Guidacavo	2	

<b>Gruppo</b>	MOTORE
<b>Codice</b>	34.09
<b>Descrizione</b>	Trasmissione posteriore I
<b>Revisione</b>	1



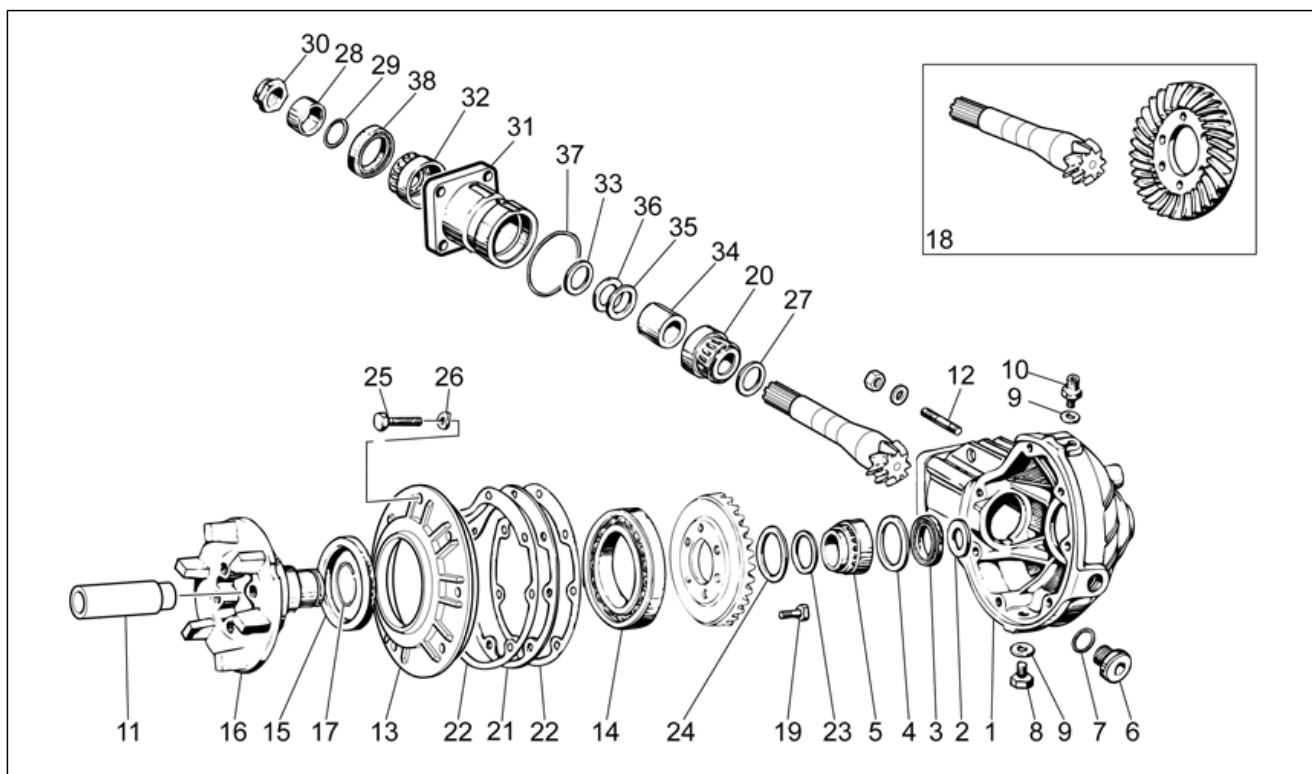
Pos.	Codice	Descrizione	Q.ta	Varianti
1	976941	Scatola trasmissione cpl.nera	1	
2	GU31327783	Manicotto	1	
3	GU19328801	Manicotto	1	
4	GU90272023	Anello Seeger	1	
5	GU19327601	Piattello	1	
6	GU94321099	Molla	1	
7	GU23328081	Giunto cardanico	1	
8	GU23548080	Collare di protezione	1	
9	GU23548180	Molla	1	
10	AP8120246	Fascetta D=60-80	1	
11	883011	Forcellone nero	1	
12	GU19547000	Perno	2	
13	GU35214300	Spessore	1	
14	GU31547882	Dado	2	
15	GU31544181	Perno	1	
16	GU98680545	Vite M10x45	1	
17	GU95008210	Rosetta 10,2X18X2	1	
18	GU92606210	Dado M10x1,5	1	
19	860651	Dado cieco M8x1,25	4	
20	GU14615901	Rosetta 8,4X13X0,8	4	
21	GU93180105	Tappo	2	
22	GU95005308	Rosetta 8,4x14,57x1,6	4	
23	GU03922280	Tappo 5x9	1	

<b>Gruppo</b>	MOTORE
<b>Codice</b>	34.10
<b>Descrizione</b>	Trasmissione posteriore II
<b>Revisione</b>	1



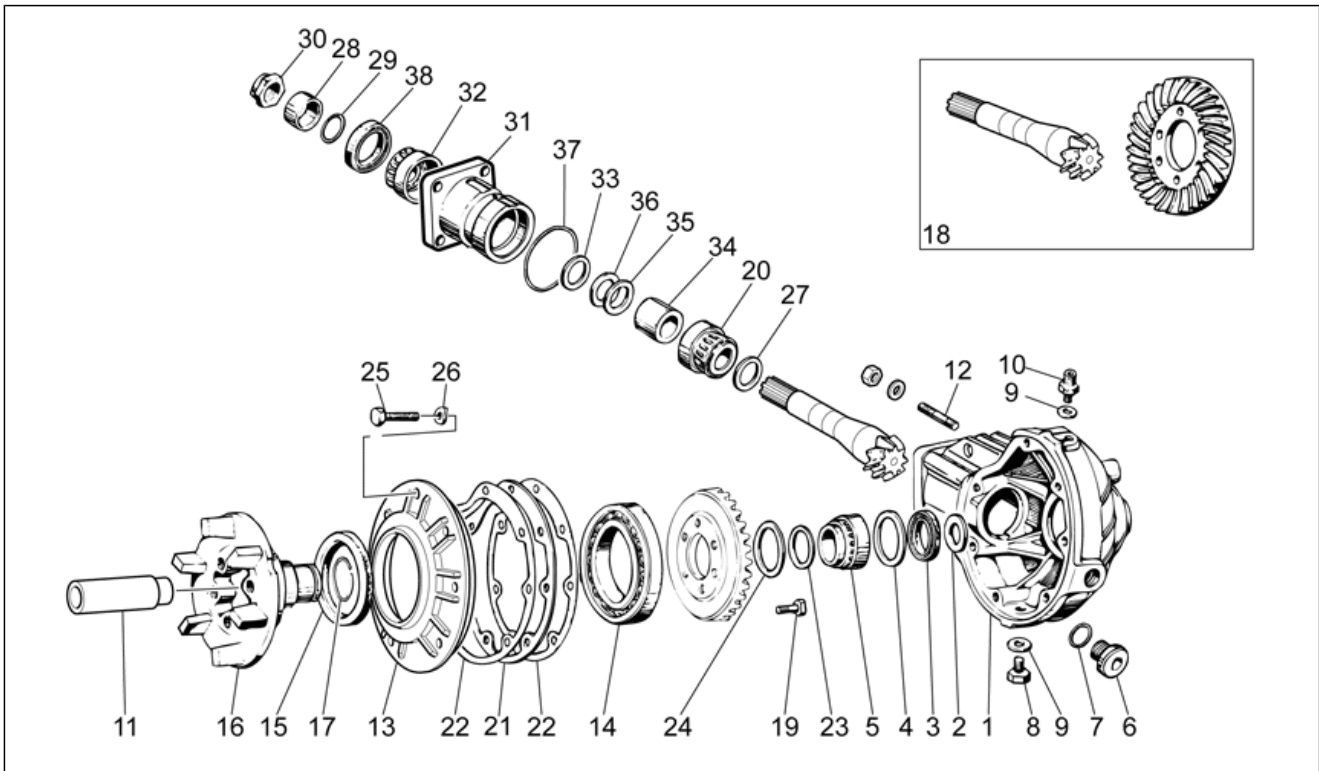
Pos.	Codice	Descrizione	Q.ta	Varianti
1	976608	Scatola trasmis.nero	1	
2	GU19351900	Rosetta di spallamento	1	
3	GU90403549	Anello di tenuta 35x47x7	1	
4	GU19351100	Rosetta di spallamento	1	
5	GU92252235	Cuscinetto a rulli 35x50x17	1	
6	GU12022600	Tappo olio	1	
7	GU90706203	Anello OR 20,24X2,62	1	
8	GU31003766	Tappo scarico olio M10x1	1	
9	GU01528930	Guarnizione 10x18x1,5	2	
10	GU19206501	Tappo sfiato	1	
11	GU32633560	Distanziale	1	
12	GU96508055	Prigioniero	4	
13	GU32350410	Coperchio	1	
14	GU92201070	Cuscinetto a sfere 70x110x13	1	
15	GU90407591	Anello di tenuta 75x95x10	1	
16	GU32351410	Perno	1	
17	GU90353030	Anello di fermo	1	
18	GU32354610	Coppia conica 8/33	1	
19	GU03067730	Vite M8x25	6	
20	GU92249227	Cuscinetto a rulli conici 25x5	1	
21	GU19355400	Spessore 0,8 mm	1	
21	GU19355402	Spessore 0,9 mm	1	
21	GU19355404	Spessore 1 mm	1	
21	GU19355406	Spessore 1,1 mm	1	
21	GU19355408	Spessore 1,2 mm	1	
21	GU19355410	Spessore 1,3 mm	1	
21	GU19355411	Spessore 1,4 mm	1	
21	GU19355412	Spessore 1,5 mm	1	

<b>Gruppo</b>	MOTORE
<b>Codice</b>	34.10
<b>Descrizione</b>	Trasmissione posteriore II
<b>Revisione</b>	1



Pos.	Codice	Descrizione	Q.ta	Varianti
21	GU19355413	Spessore 1,6 mm	1	
22	GU19350700	Guarnizione	2	
23	GU19352300	Rosetta di rasamento	1	
24	GU19353500	Rosetta di rasamento	1	
25	GU19357660	Vite	7	
26	GU61270300	Rosetta elastica 8x15x0,3	7	
27	GU19355320	Spessore 1 mm	1	
27	GU19355321	Spessore 1,1 mm	1	
27	GU19355322	Spessore 1,2 mm	1	
27	GU19355323	Spessore 1,3 mm	1	
27	GU19355324	Spessore 1,4 mm	1	
27	GU19355325	Spessore 1,5 mm	1	
27	GU19355326	Spessore 1,6 mm	1	
27	GU19355327	Spessore 1,7 mm	1	
27	GU19355328	Spessore 1,8 mm	1	
27	GU19355329	Spessore 1,9 mm	1	
28	GU19356801	Distanziale	1	
29	GU90706188	Anello di tenuta 18,77X1,78	1	
30	GU19356700	Dado	1	
31	GU20352421	Custodia	1	
32	GU92249220	Cuscinetto a rulli 20x47x14	1	
33	GU19355300	Spessore 1 mm	1	
33	GU19355301	Spessore 1,1 mm	1	
33	GU19355302	Spessore 1,2 mm	1	
33	GU19355303	Spessore 1,3 mm	1	
33	GU19355304	Spessore 1,4 mm	1	
33	GU19355305	Spessore 1,5 mm	1	
33	GU19355306	Spessore 1,6 mm	1	

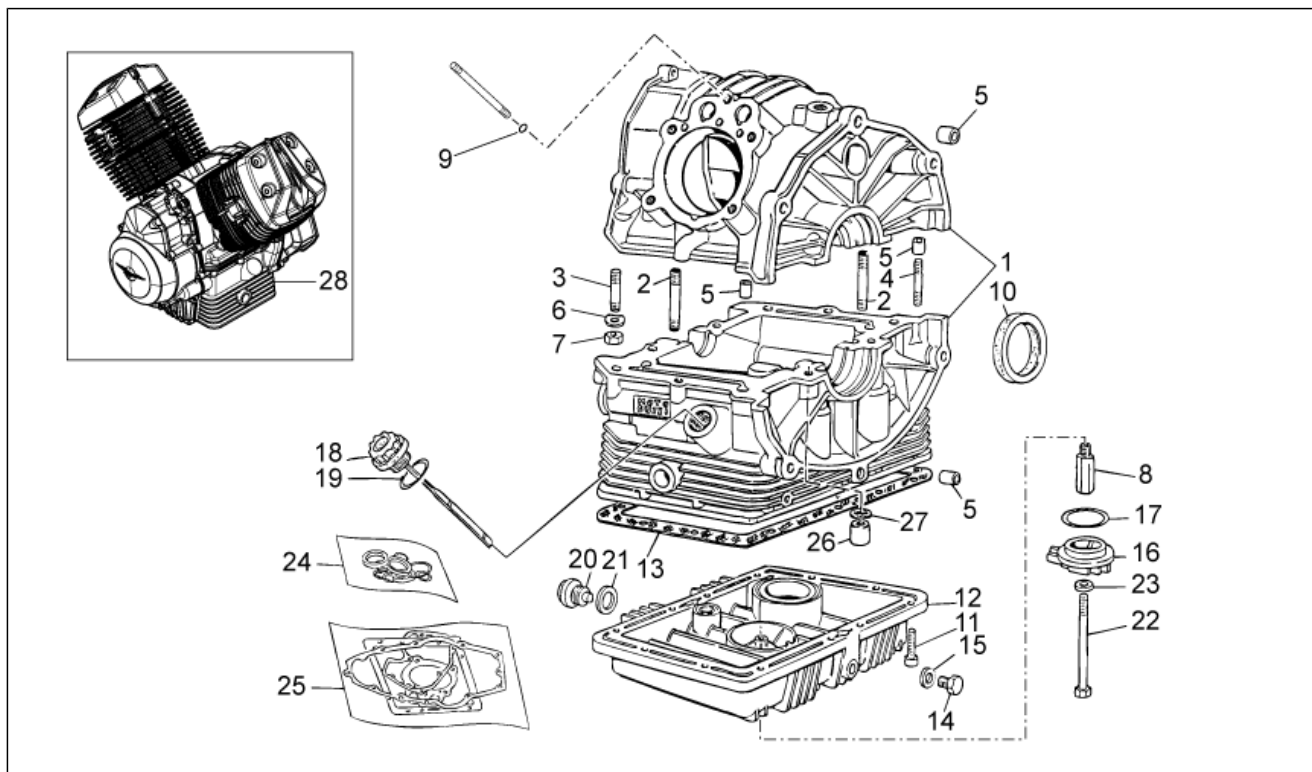
<b>Gruppo</b>	MOTORE
<b>Codice</b>	34.10
<b>Descrizione</b>	Trasmissione posteriore II
<b>Revisione</b>	1



Pos.	Codice	Descrizione	Q.ta	Varianti
33	GU19355307	Spessore 1,7 mm	1	
33	GU19355308	Spessore 1,8 mm	1	
33	GU19355309	Spessore 1,9 mm	1	
34	GU20355121	Distanziale	1	
35	GU19355200	Rosetta regolaz. 0,1 mm	1	
36	GU19355202	Rosetta regolaz. 0,15 mm	1	
37	GU90706584	Guarnizione 58,42x2,62	1	
38	GU90403251	Anello di tenuta 32x47x10	1	

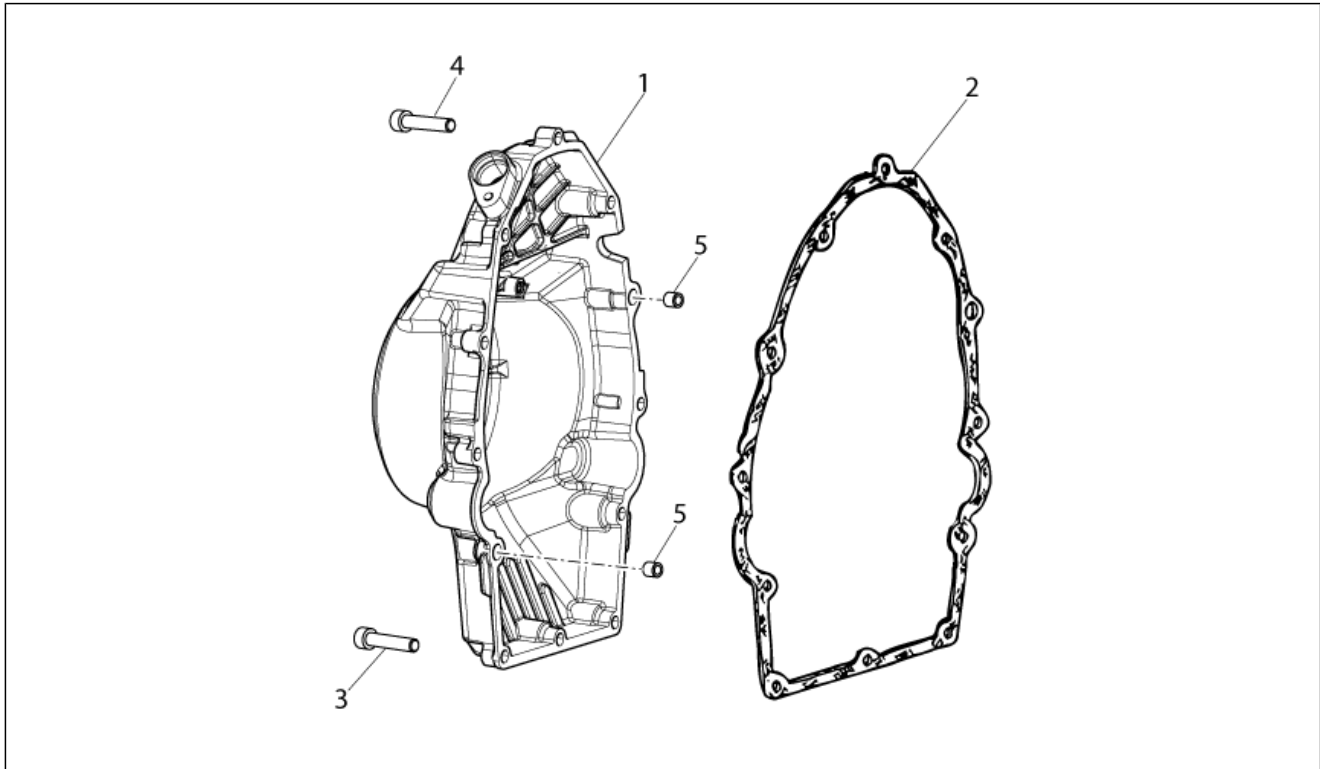


<b>Gruppo</b>	MOTORE
<b>Codice</b>	34.34
<b>Descrizione</b>	Carter
<b>Revisione</b>	1



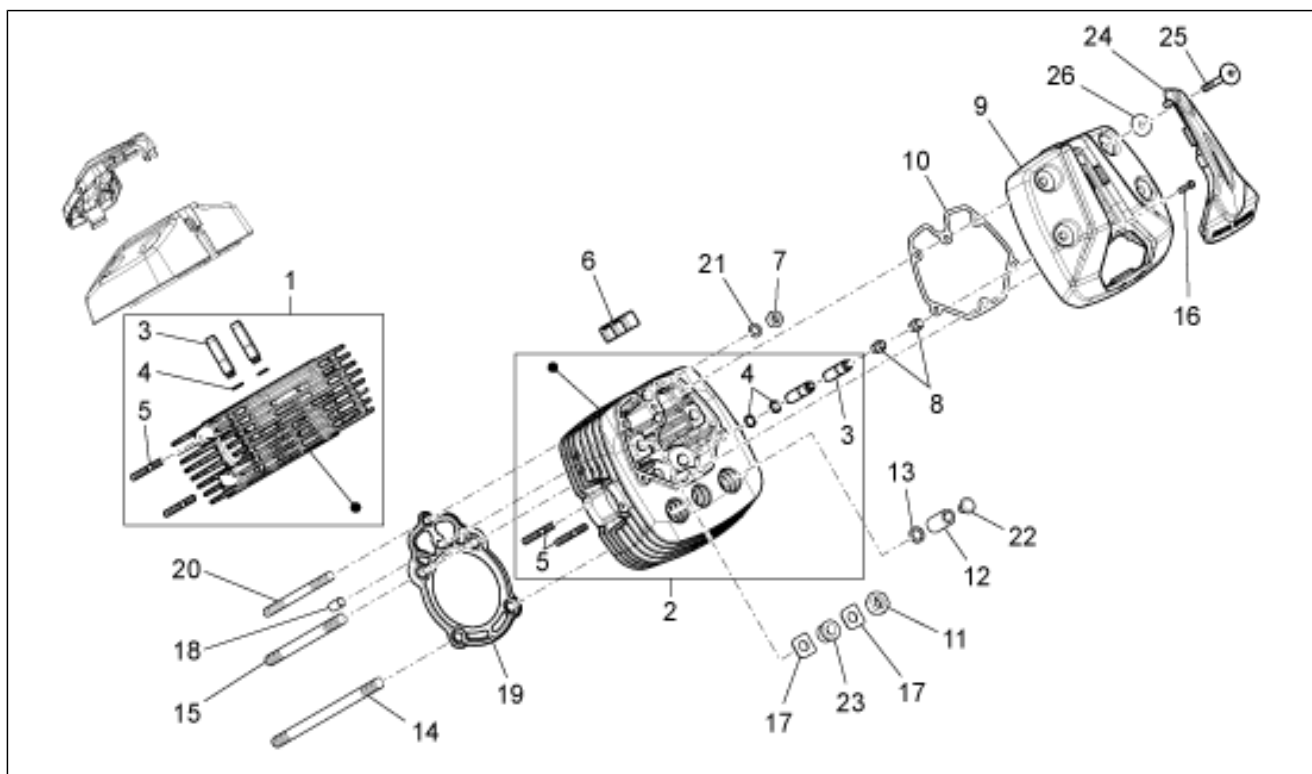
Pos.	Codice	Descrizione	Q.ta	Varianti
1	2A0002355	Basamento motore completo	1	
2	GU96451560	Prigioniero	4	
3	GU96451430	Prigioniero	4	
4	GU96508055	Prigioniero	2	
5	GU19015020	Boccola	4	
6	GU61270300	Rosetta elastica 8x15x0,3	6	
7	GU92606208	Dado M8x1,25	6	
8	GU19003800	Raccordo	1	
9	GU90706076	Anello OR	2	
10	886365	Anello di tenuta	1	
11	GU98682325	Vite TCEI M6x25	12	
12	976604	Coppa olio motore nero	1	
13	887004	Guarnizione coppa olio	1	
14	GU31003766	Tappo scarico olio M10x1	1	
15	GU10528900	Guarnizione in alluminio	1	
16	976685	Coperchietto	1	
17	GU90706444	Anello OR	1	
18	883826	Tappo carico olio	1	
19	GU90706281	Anello OR 28,24x2,62	1	
20	GU12003702	Tappo scarico olio	1	
21	GU95100709	Guarnizione 20,1x28x2	1	
22	GU27152885	Bullone	1	
23	GU12154200	Guarnizione 8,25x15x1	1	
24	GU32999510	Paraoli-serie	1	
25	GU32999010	Guarnizioni-serie	1	
26	GU13021900	Dado a colonna	4	
27	GU95129180	Rosetta 10,5X18X0,8	4	
28	2L0001895	Motore cpl.s.za cambio	1	

<b>Gruppo</b>	MOTORE
<b>Codice</b>	34.35
<b>Descrizione</b>	Coperchio distribuzione
<b>Revisione</b>	1



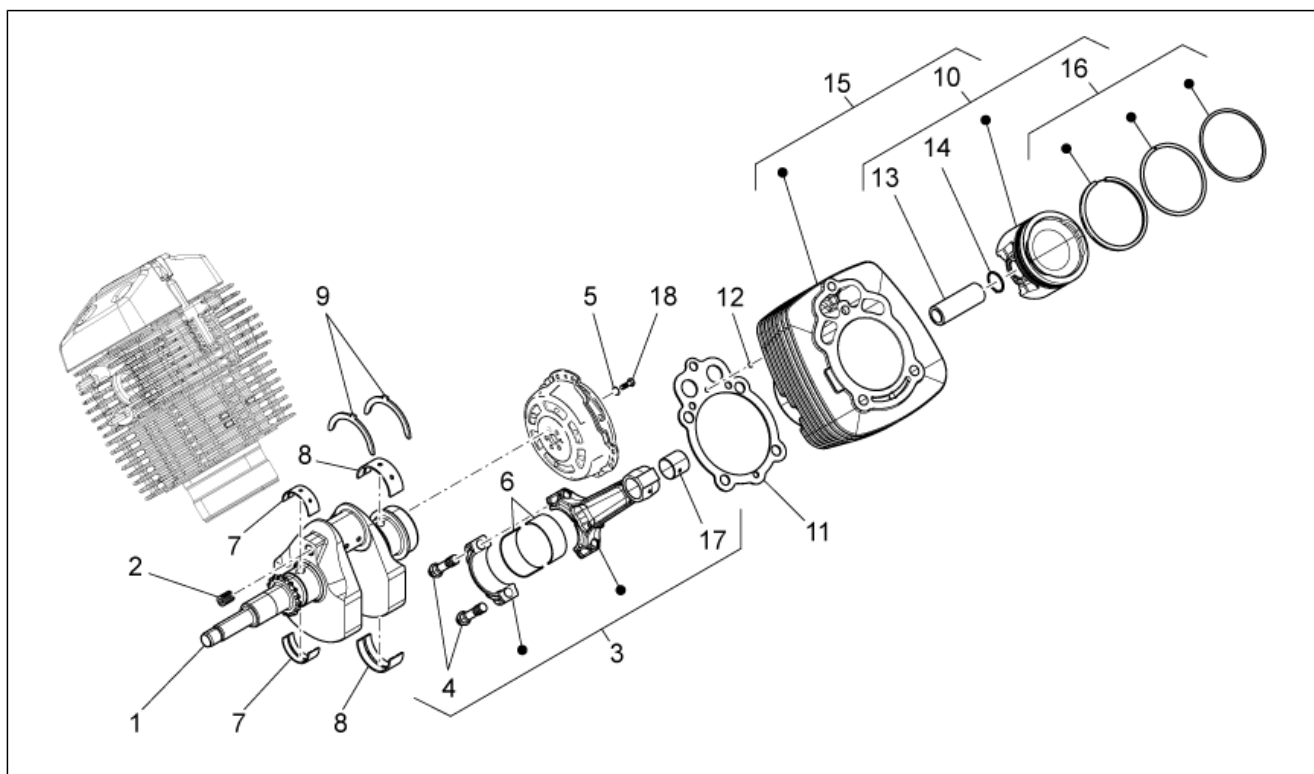
Pos.	Codice	Descrizione	Q.ta	Varianti
1	2A000085	Coperchio generatore	1	
2	887003	Guarnizione coperchio	1	
3	GU98682325	Vite TCEI M6x25	10	
4	GU98682330	Vite TCEI M6x20	2	
5	GU19002020	Boccola 6,6x9x13	2	

<b>Gruppo</b>	MOTORE
<b>Codice</b>	34.36
<b>Descrizione</b>	Testa cilindro
<b>Revisione</b>	1



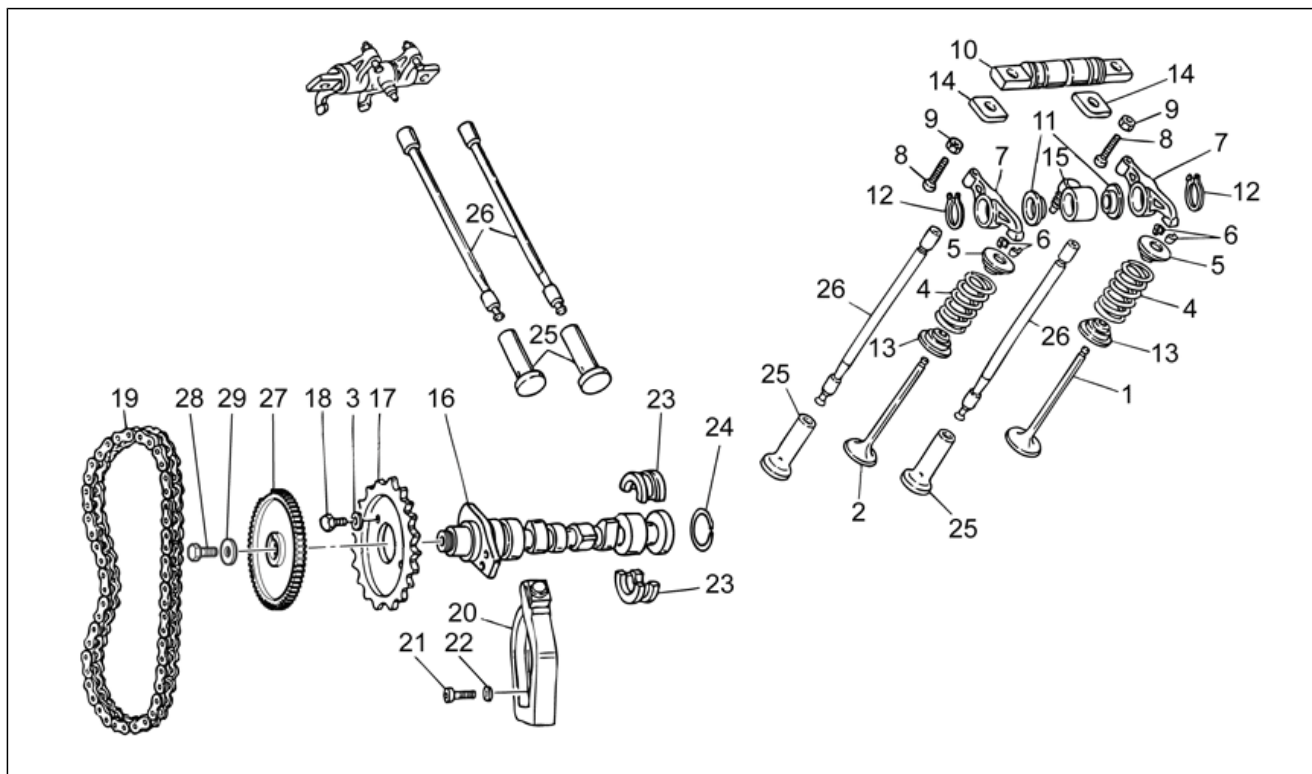
Pos.	Codice	Descrizione	Q.ta	Varianti
1	8872724	Testa dx	1	
2	8872754	Testa sx	1	
3	GU61036801	Guidavalvola	4	
4	GU90353009	Anello elastico	4	
5	GU96506042	Prigioniero	4	
6	B063111	Tassello antivibrante	4	
7	GU19021920	Dado	2	
8	GU19037820	Paraolio	4	
9	887523	Coperchio testa	2	
10	887002	Guarnizione coperchio testa	2	
11	GU92603010	Dado M10X1,5	4	
12	GU13021900	Dado a colonna	4	
13	GU95129180	Rosetta 10,5X18X0,8	4	
14	GU96510214	Prigioniero M10x214	4	
15	GU96510181	Prigioniero M10x182	4	
16	GU98692325	Vite TCEI M6x25	4	
17	GU19032980	Spessore	8	
18	GU19021360	Boccola	2	
19	B063099	Guarnizione testa-cilindro	2	
20	976898	Prigioniero M8x140	2	
21	GU61270300	Rosetta elastica 8x15x0,3	2	
22	GU93180245	Tappo	4	
23	AP8144071	Gommino marmitta	1	
24	887279	Coperchio candela	2	
25	887483	Vite coperchio testa M6x52.5	8	
26	969973	Rosetta	8	

<b>Gruppo</b>	MOTORE
<b>Codice</b>	34.37
<b>Descrizione</b>	Albero motore cpl.
<b>Revisione</b>	1



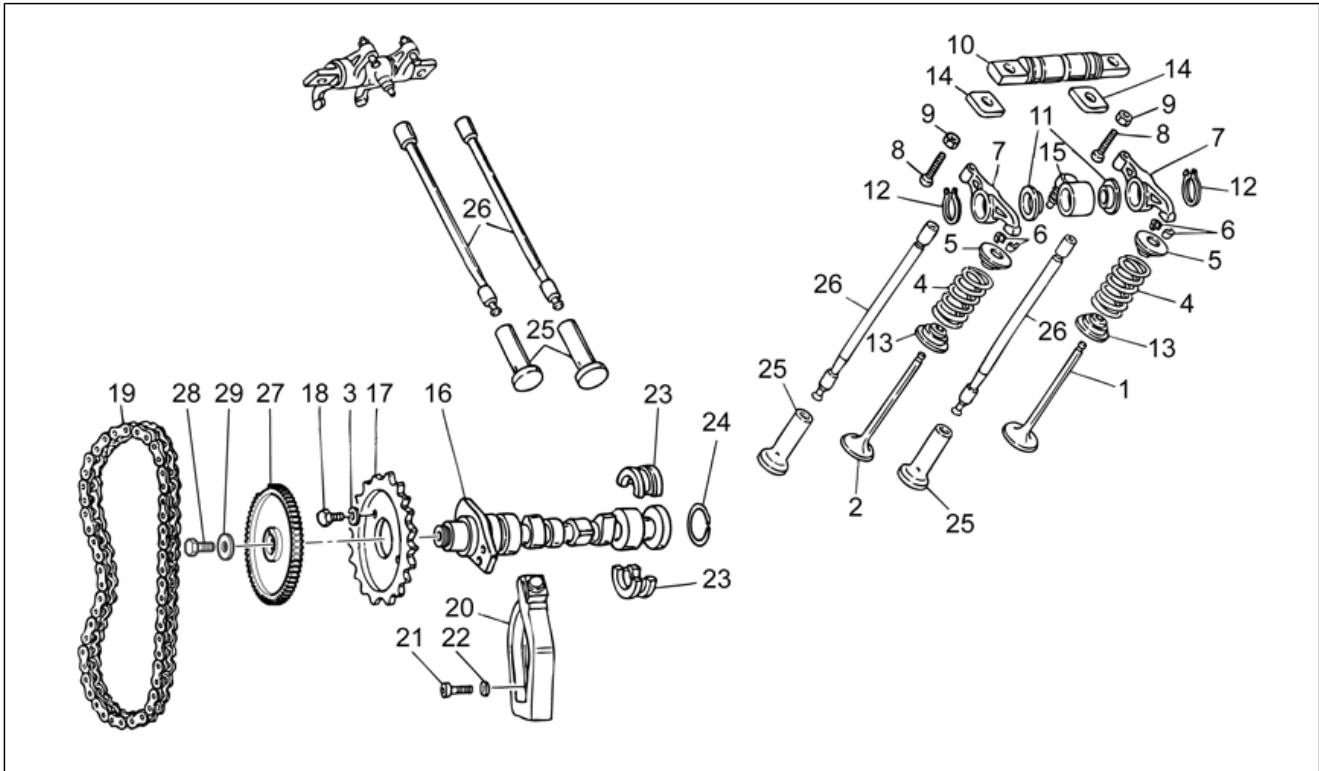
Pos.	Codice	Descrizione	Q.ta	Varianti
1	2A0000995	Albero motore	1	
2	GU19065400	Tappo	1	
3	GU27061585	Biella cpl.	2	
4	GU19062261	Vite	4	
5	GU14615901	Rosetta 8,4X13X0,8	6	
6	GU27062060	Semiguscio bronzina	4	
7	GU27065660	Semiguscio bronzina ant.	2	
8	GU27066560	Semiguscio bronzina post.	2	
9	GU27066460	Semirosetta	2	
10	8872690001	Pistone cpl. d.80 Cat. D	1	
10	8872690002	Pistone cpl. d.80 Cat. E	1	
10	8872690003	Pistone cpl. d.80 Cat. F	1	
11	886670	Guarnizione cilindro	2	
12	GU61027200	Anello OR	2	
13	B063016	Spinotto	2	
14	874567	Anello di fermo	4	
15	B063465	Cilindro con pistone cpl.	2	
16	B063466	Kit fasce elastiche	2	
17	GU27061885	Boccola	2	
18	GU19067700	Vite	6	

<b>Gruppo</b>	MOTORE
<b>Codice</b>	34.38
<b>Descrizione</b>	Distribuzione
<b>Revisione</b>	1



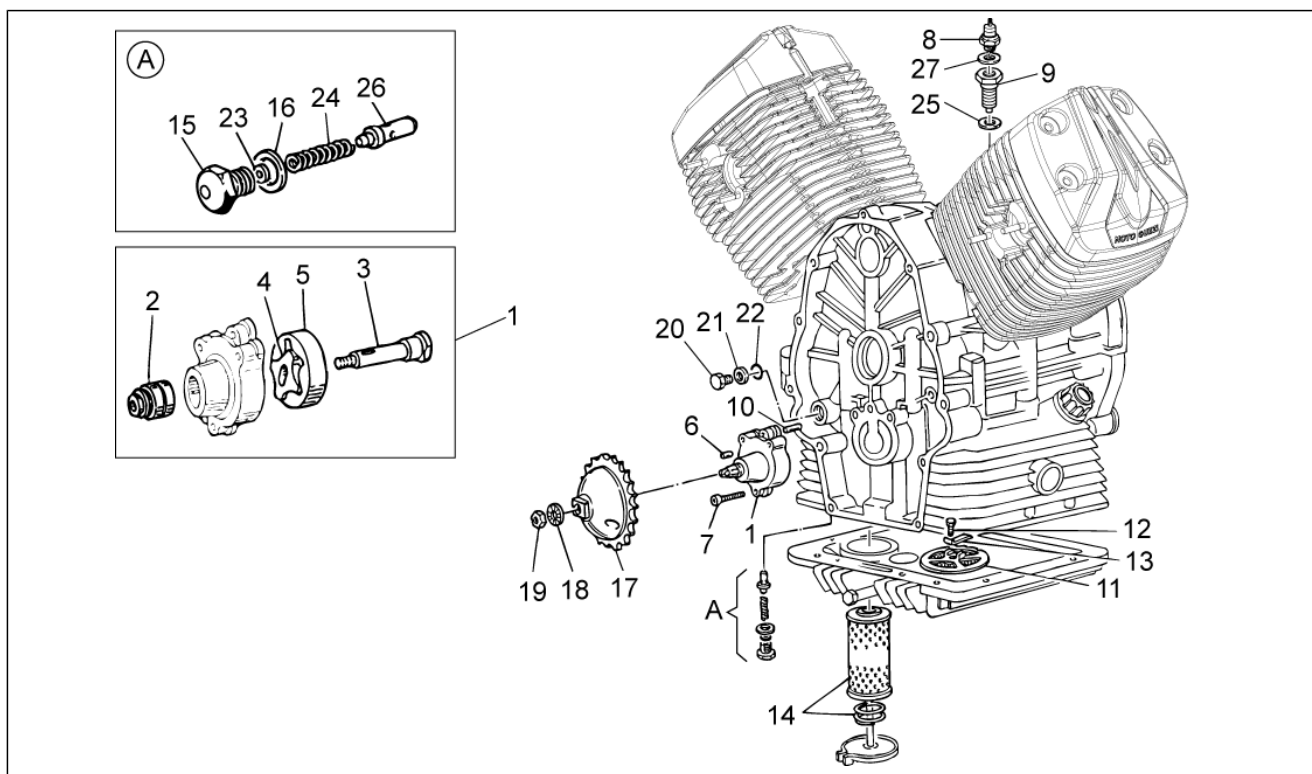
Pos.	Codice	Descrizione	Q.ta	Varianti
1	2A000146	Valvola di aspirazione	2	
2	2A000147	Valvola di scarico	2	
3	GU23217800	Rosetta di sicurezza	2	
4	GU27037521	Molla	4	
5	GU31038015	Piattello sup.	4	
6	GU61038100	Semicono	8	
7	GU19030500	Bilanciere	4	
8	GU19034000	Vite	4	
9	GU92602406	Dado M6x1	4	
10	GU19032080	Perno bilanciere	2	
11	GU32032310	Rosetta di rasamento	4	
12	GU90271018	Anello Seeger	4	
13	GU31037015	Piattello inf.	4	
14	GU19032980	Spessore	4	
15	GU19027500	Manicotto	2	
16	GU32053410	Albero a camme	1	
17	GU32054510	Ingran.distribuz.	1	
18	GU61054900	Bullone	2	
19	GU19058021	Catena distribuzione	1	
20	GU19058220	Tendicatena distribuzione	1	
21	GU98882316	Vite	1	
22	GU95129115	Rosetta	1	
23	GU19055700	Settore fermo	2	
24	GU90353029	Anello elastico	1	
25	GU19045861	Punteria	4	
26	GU31045015	Asta bilanciere	4	
27	887528	Ruota fonica	1	
28	GU98054422	Vite M8x22	1	

<b>Gruppo</b>	MOTORE
<b>Codice</b>	34.38
<b>Descrizione</b>	Distribuzione
<b>Revisione</b>	1



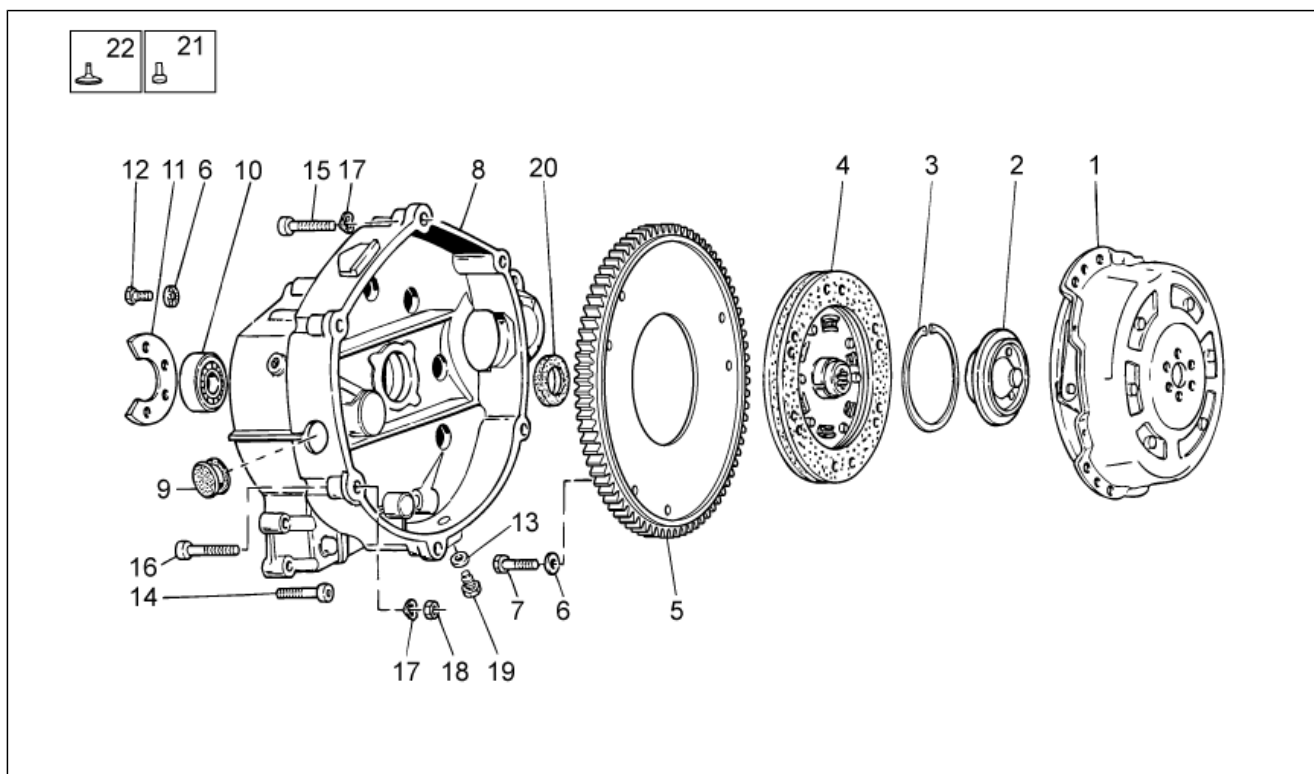
Pos.	Codice	Descrizione	Q.ta	Varianti
29	GU95100244	Rosetta	1	

<b>Gruppo</b>	MOTORE
<b>Codice</b>	34.39
<b>Descrizione</b>	Pompa olio
<b>Revisione</b>	1



Pos.	Codice	Descrizione	Q.ta	Varianti
1	GU19146422	Pompa olio	1	
2	GU92252210	Cuscinetto a rulli 10x22x20	1	
3	GU20147810	Albero pompa olio	1	
4	GU20148410	Rotore int.	1	
5	GU20148610	Rotore est.	1	
6	GU92296723	Rullo	1	
7	884039	Vite TCEI M6x35	3	
8	641541	Sensore pressione olio	1	
9	887093	Raccordo trasmettitore	1	
10	GU19018920	Spina	2	
11	GU19152200	Filtro olio	1	
12	GU98084314	Vite TE M6x14	1	
13	GU95187006	Piastrina	1	
14	GU27153085	Filtro olio	1	
15	GU31159050	Tappo	1	
16	GU18144350	Rosetta 18,25x24x1	3	
17	GU20147710	Ingran.pompa	1	
18	AP8152220	Rosetta zigrinata	1	
19	GU92602510	Dado M10x1,25	1	
20	GU31016050	Tappo	1	
21	GU18161150	Guarnizione in alluminio 14,25	1	
22	GU90706111	Anello OR	1	
23	GU95008206	Rosetta 6,15x11x0,8	3	
24	GU94321079	Molla	1	
25	GU95100602	Guarnizione	1	
26	GU31150950	Pistoncino	1	
27	GU95100309	Rosetta	1	

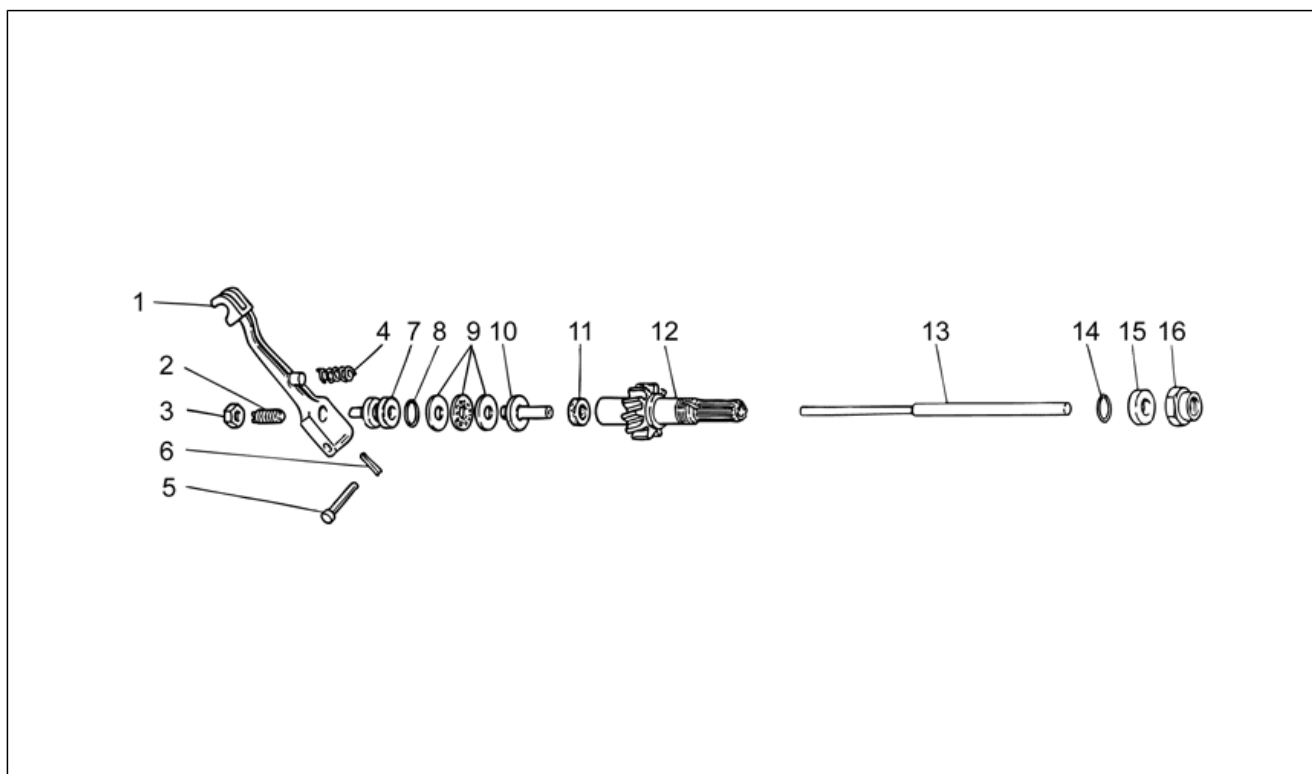
<b>Gruppo</b>	MOTORE
<b>Codice</b>	34.40
<b>Descrizione</b>	Frizione I
<b>Revisione</b>	1



Pos.	Codice	Descrizione	Q.ta	Varianti
1	GU32080310	Frizione	1	
2	GU19083462	Scodellino frizione	1	
3	GU90272075	Anello elastico	1	
4	GU32084410	Disco frizione condotto	1	
5	GU32067910	Corona	1	
6	GU14217901	Rosetta zigrinata 6,4x10x0,7	9	
7	884038	Vite TE M6x16	6	
8	2A000106	Campana frizione	1	
9	GU93180220	Tappo	1	
10	GU92201225	Cuscinetto 25x52x15	1	
11	GU19203460	Piastra fissaggio cuscinetto	1	
12	GU98084314	Vite TE M6x14	3	
13	GU10528900	Guarnizione in alluminio	1	
14	884032	Vite TCEI M6x30	11	
15	GU98680435	Vite TCEI M8x35	5	
16	GU98680450	Vite TCEI M8x50	1	
17	GU61270300	Rosetta elastica 8x15x0,3	6	
18	GU92606208	Dado M8x1,25	1	
19	GU31003766	Tappo scarico olio M10x1	1	
20	886629	Anello di tenuta	1	
21	GU23204471	Getto per a.s.	1	
22	GU23204571	Getto per a.p.	1	

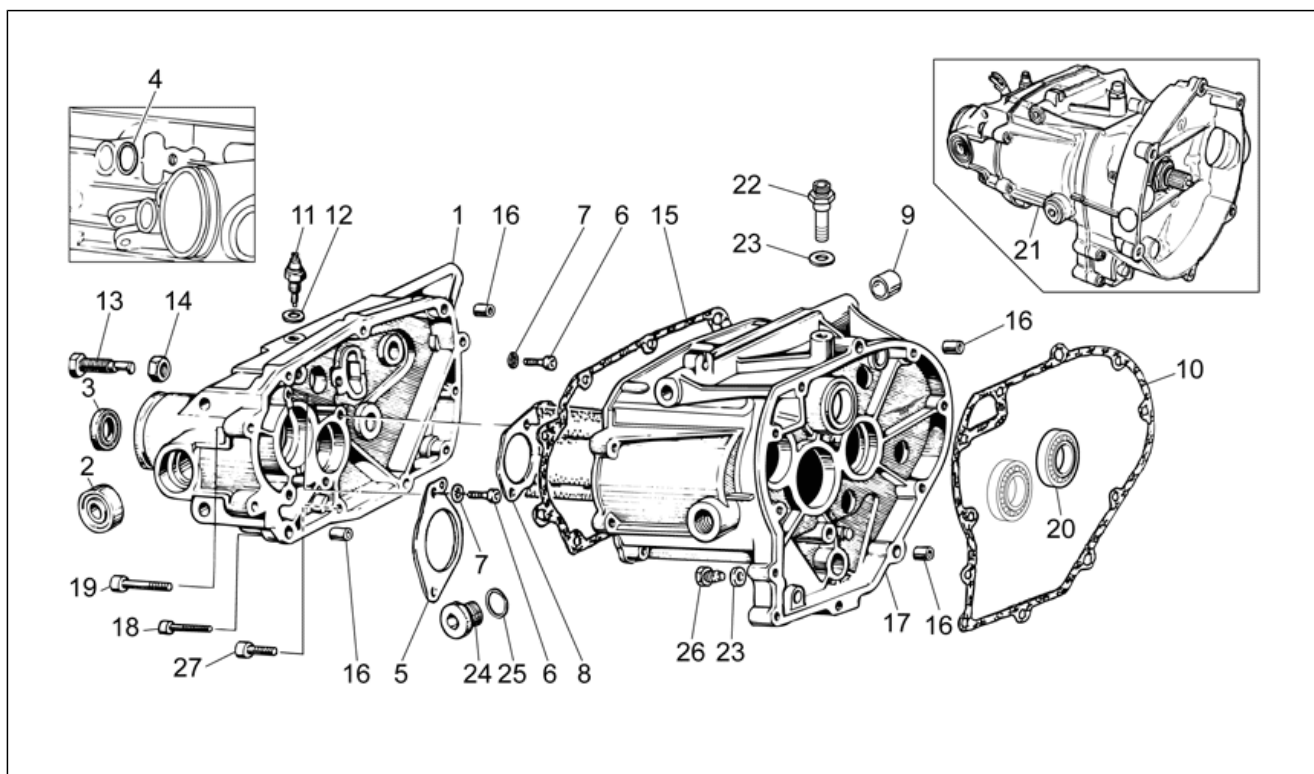


<b>Gruppo</b>	MOTORE
<b>Codice</b>	34.41
<b>Descrizione</b>	Frizione II
<b>Revisione</b>	1



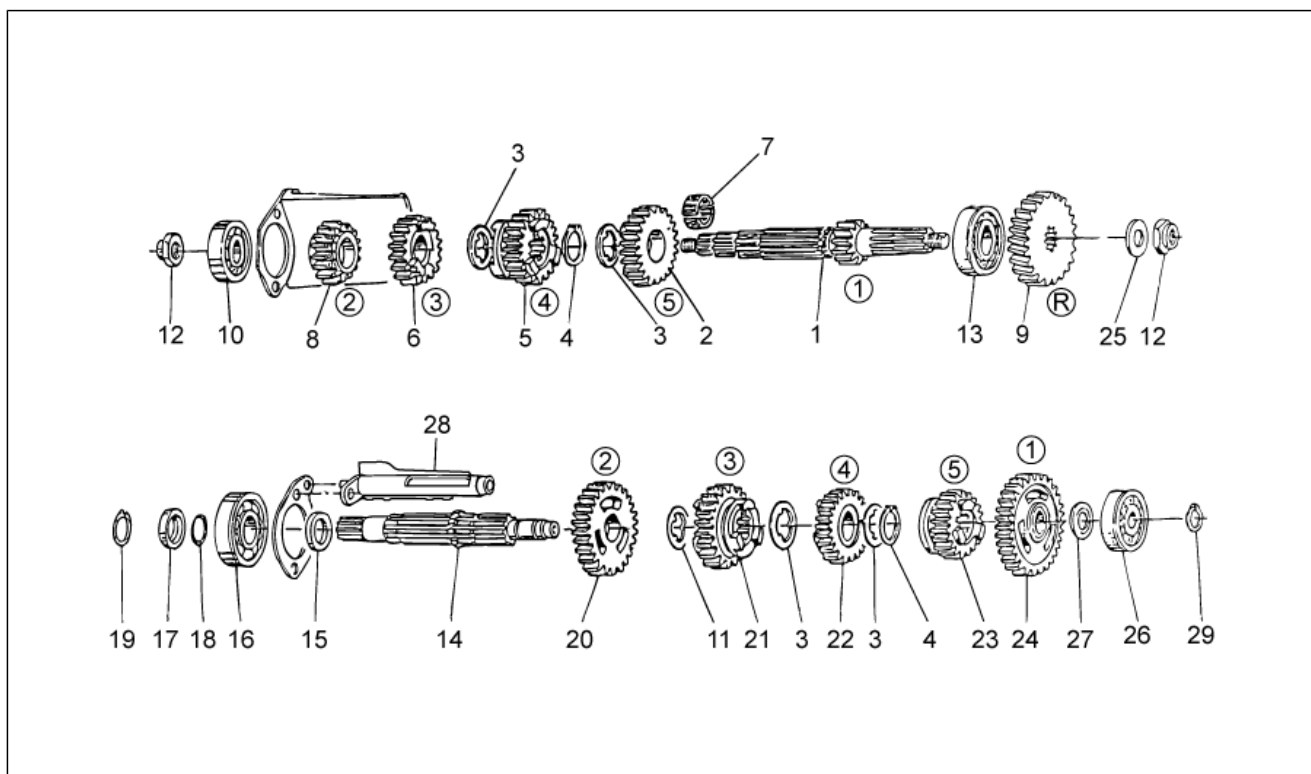
Pos.	Codice	Descrizione	Q.ta	Varianti
1	GU14090201	Leva disinnesto frizione	1	
2	GU14090400	Vite registro	1	
3	GU92606508	Dado	1	
4	GU94321105	Molla ritorno leva	1	
5	GU95780271	Spina 7x39	1	
6	GU95500222	Copiglia	1	
7	GU14086100	Corpo esterno	1	
8	GU90706170	O-ring 17,13x2,62	1	
9	GU12087001	Cuscinetto reggispinta	1	
10	GU14086000	Corpo intermedio	1	
11	GU90400616	Anello di tenuta 6x16x7	1	
12	GU27210760	Albero di rinvio Z=16	1	
13	GU20085720	Asta spingipiattello	1	
14	GU90706235	O-ring 23,52x1,78	1	
15	GU19213760	Distanziale	1	
16	GU19356760	Dado di sicurezza	1	

<b>Gruppo</b>	MOTORE
<b>Codice</b>	34.42
<b>Descrizione</b>	Scatola cambio
<b>Revisione</b>	1



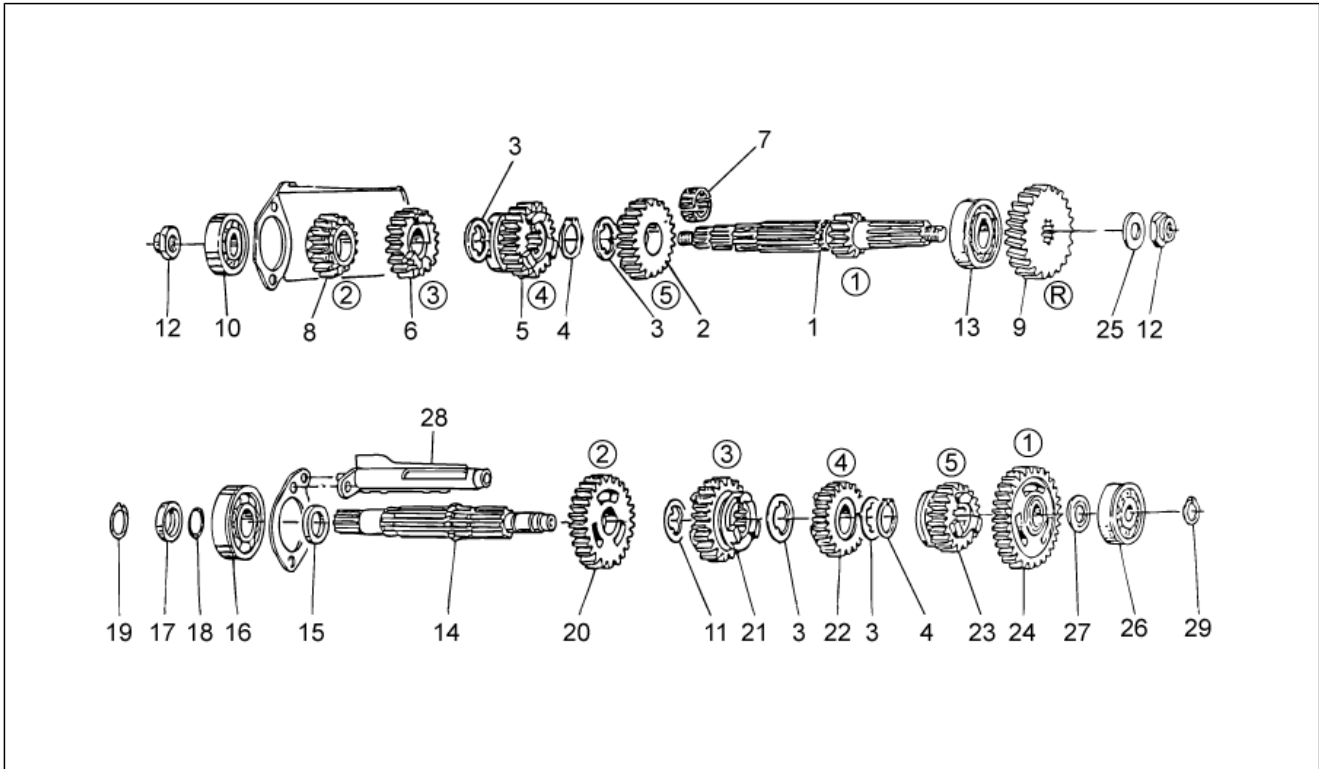
Pos.	Codice	Descrizione	Q.ta	Varianti
1	2A000098	Coperchio scatola cambio	1	
2	2A000097	Cuscinetto a sfere 6202-2RSH/C3 LHT23	2	
3	886364	Anello di tenuta 28x40x7	1	
4	GU90706140	O-ring 13,95x2,92	1	
5	GU32213810	Piastra fiss.albero secondario	1	
6	884031	Vite TCEI M6x14	4	
7	GU14217901	Rosetta zigrinata 6,4x10x0,7	4	
8	GU32208210	Paratia olio	1	
9	GU19202320	Boccola 10,25x15,7x8	2	
10	887005	Guarnizione	1	
11	B063269	Sensore folle	1	
12	GU12154200	Guarnizione 8,25x15x1	1	
13	GU19237800	Vite con eccentrico M12x1,25	1	
14	GU92606512	Dado basso M12x1,25	1	
15	887006	Guarnizione	1	
16	GU19002020	Boccola 6,6x9x13	4	
17	887235	Scatola cambio	1	
18	GU98682330	Vite TCEI M6x20	5	
19	GU98680435	Vite TCEI M8x35	4	
20	B063342	Cuscinetto a sfere 6004/C3	1	
21	976992	Cambio cpl.	1	
22	GU32206510	Tappo sfiato	1	
23	GU10528900	Guarnizione in alluminio	2	
24	GU12022600	Tappo olio	1	
25	GU90706203	Anello OR 20,24x2,62	1	
26	GU31003766	Tappo scarico olio M10x1	1	
27	AP8150285	Vite TCEI M6x35	2	

<b>Gruppo</b>	MOTORE
<b>Codice</b>	34.43
<b>Descrizione</b>	Cambio
<b>Revisione</b>	1



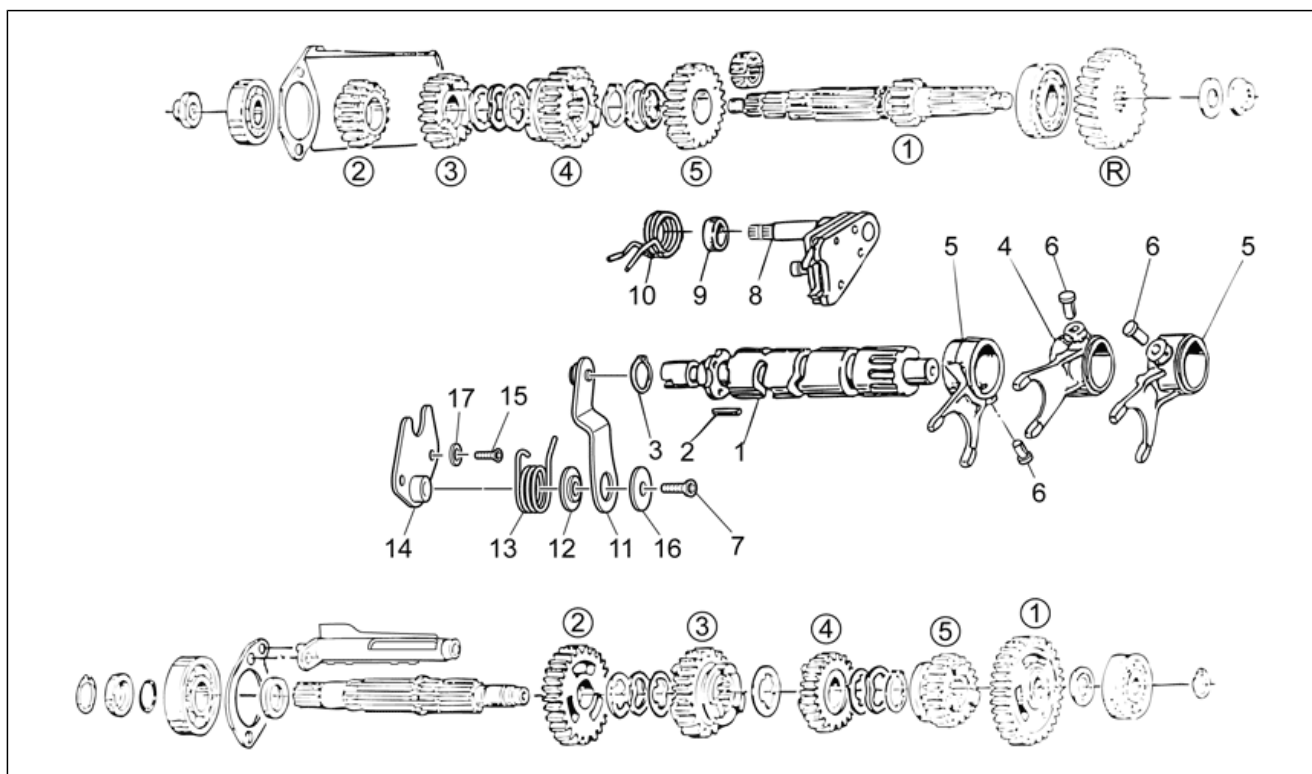
Pos.	Codice	Descrizione	Q.ta	Varianti
1	GU32210510	Albero primario Z=11	1	
2	GU32212011	Ingranaggio 5a AP Z=25	1	
3	GU19215460	Rosetta di rasamento	3	
4	GU90271124	Anello Seeger	2	
5	GU32211810	Ingranaggio 4a AP Z=18	1	
6	GU32211410	Ingranaggio 3a AP Z=18	1	
7	GU92251028	Gabbia a rulli	1	
8	GU23211372	Ingranaggio 2a AP Z=14	1	
9	GU32211110	Ingran.rinvio AP Z=21	1	
10	GU92218417	Cuscinetto AP 17x40x17,5	1	
11	GU19214660	Rosetta di spallamento	2	
12	GU10054100	Dado di sicurezza	2	
13	GU92230320	Cuscinetto AP 20x37x17	1	
14	GU32213610	Albero secondario	1	
15	GU19212900	Distanziale	1	
16	GU92201220	Cuscinetto 20X47X14	1	
17	GU19213720	Distanziale	1	
18	GU90706188	Anello di tenuta 18,77X1,78	1	
19	GU90271121	Anello Seeger	1	
20	GU32214510	Ingranaggio 2a AS Z=23	1	
21	GU32214810	Ingranaggio 3a AS Z=23	1	
22	GU32215010	Ingranaggio 4a AS Z=19	1	
23	GU32215210	Ingranaggio 5a AS Z=22	1	
24	GU32214010	Ingranaggio 1a AS Z=26	1	
25	GU39238100	Rosetta di spallamento	1	
26	GU92234716	Cuscinetto	1	
27	GU10214300	Spessore 1,5 mm	1	
27	GU10214301	Spessore 1,7 mm	1	

<b>Gruppo</b>	MOTORE
<b>Codice</b>	34.43
<b>Descrizione</b>	Cambio
<b>Revisione</b>	1



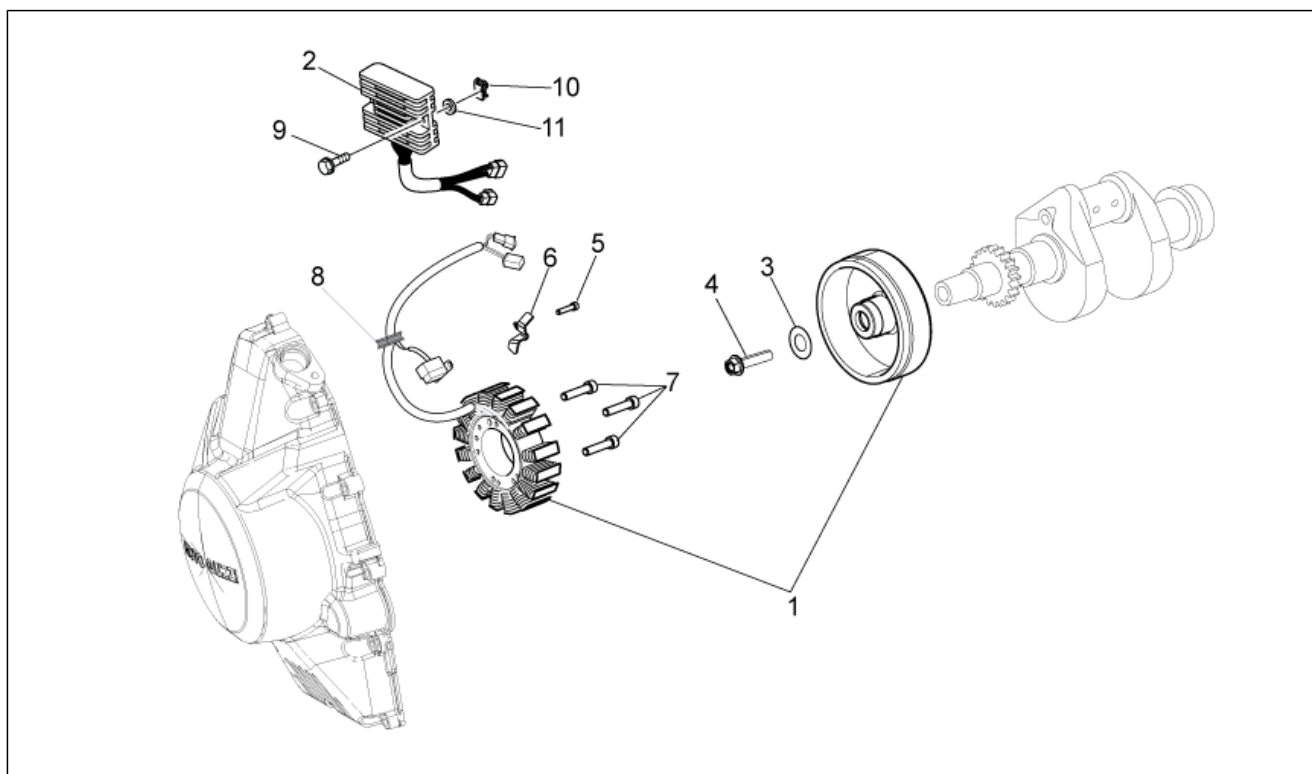
Pos.	Codice	Descrizione	Q.ta	Varianti
27	GU10214302	Spessore 1,8 mm	1	
27	GU10214303	Spessore 1,9 mm	1	
27	GU10214304	Rosetta 2 mm	1	
27	GU10214305	Spessore 2,1 mm	1	
28	GU32202010	Sgocciolatoio	1	
29	GU90271117	Anello Seeger	1	

<b>Gruppo</b>	MOTORE
<b>Codice</b>	34.44
<b>Descrizione</b>	Selettore cambio
<b>Revisione</b>	1



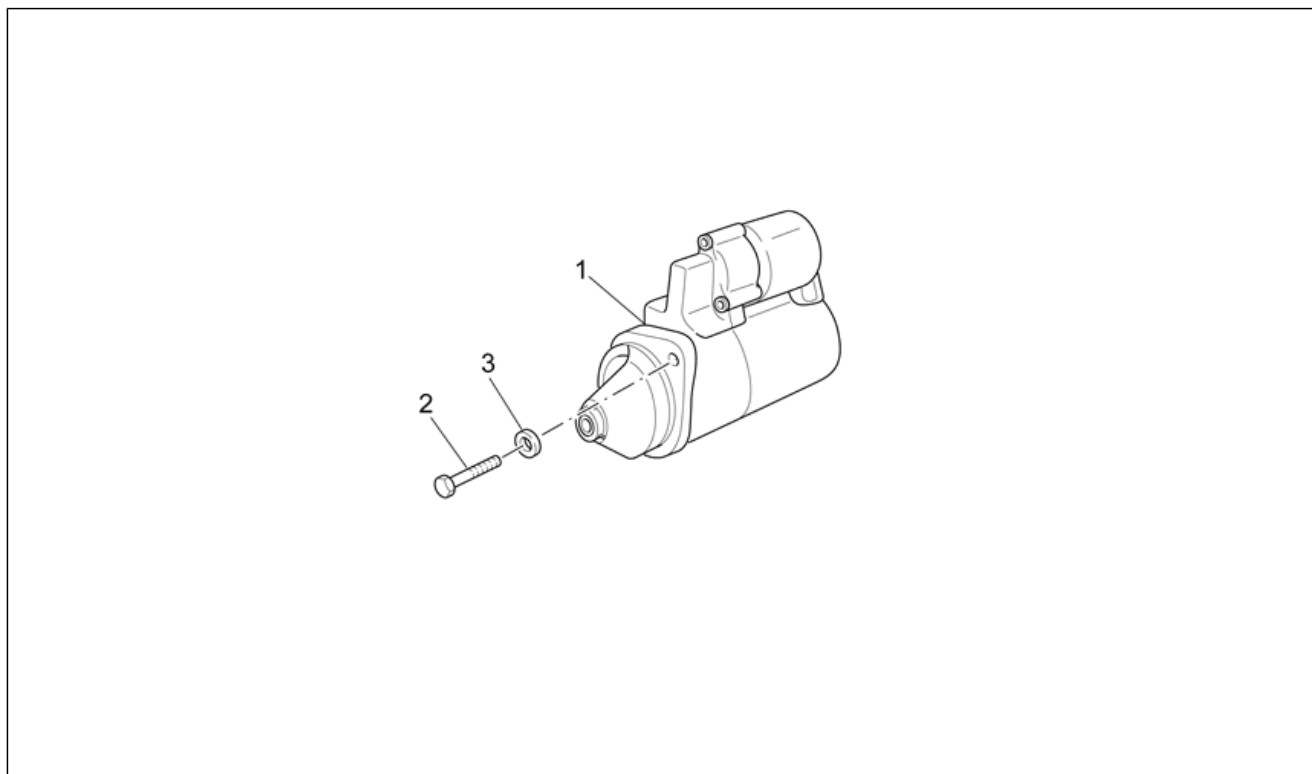
Pos.	Codice	Descrizione	Q.ta	Varianti
1	GU32234410	Desmodromico	1	
2	GU19234600	Piolo	4	
3	GU90274026	Anello elastico	1	
4	GU32231210	Forchetta AP	1	
5	GU32231010	Forchetta AS	2	
6	GU32233010	Rullo	3	
7	GU98230612	Vite	1	
8	887196	Preselettore cpl.	1	
9	GU20208520	Distanziale	1	
10	GU32238210	Molla richiamo selettore	1	
11	GU32234710	Leva	1	
12	GU32234810	Rosetta	1	
13	GU32234110	Molla	1	
14	GU32235710	Piastra	1	
15	GU98257618	Vite TSPEI M6x18	2	
16	GU32234910	Rosetta 6,4x20x1	1	
17	GU14217901	Rosetta zigrinata 6,4x10x0,7	2	

<b>Gruppo</b>	MOTORE
<b>Codice</b>	34.45
<b>Descrizione</b>	Alternatore - Regolatore
<b>Revisione</b>	1



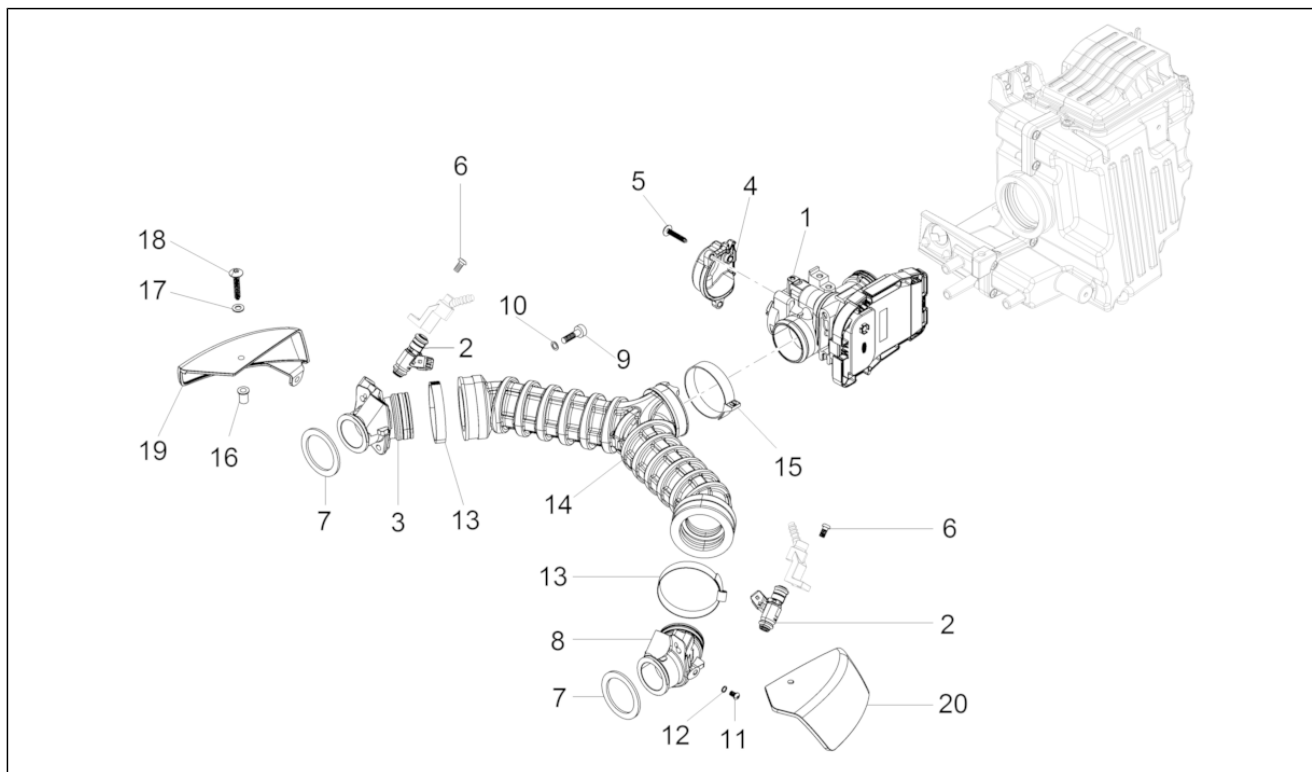
Pos.	Codice	Descrizione	Q.ta	Varianti
1	2D000024	Volano magnete cpl.	1	
2	2D000043	Regolatore di tensione	1	
3	897478	Rondella 12x26.5x3	1	
4	857206	Vite te flang. M12X1,25X50	1	
5	GU98682212	Vite TCEI M5x12	1	
6	2A000115	Piastrina	1	
7	2A000129	Vite TCEI ribassata M6x35	3	
8	GU19007700	Gommino	1	
9	AP8152281	Vite te flang. M6x30	2	
10	254485	Piastrina elastica M6	2	
11	GU95100125	Rosetta	2	

<b>Gruppo</b>	MOTORE
<b>Codice</b>	34.46
<b>Descrizione</b>	Motorino avviamento
<b>Revisione</b>	1



Pos.	Codice	Descrizione	Q.ta	Varianti
1	GU05730730	Motorino avviamento Bosch	1	
2	GU98682435	Vite TCEI	2	
3	GU95008208	Rosetta 8,4X15X1,5	2	

<b>Gruppo</b>	MOTORE
<b>Codice</b>	34.47
<b>Descrizione</b>	Corpo farfallato
<b>Revisione</b>	1



Pos.	Codice	Descrizione	Q.ta	Varianti
1	CM228303	Centralina elettronica per iniezione	1	Paese:Giappone[J]
1	CM228304	Centralina elettronica per iniezione	1	
2	B063049	Iniettore	2	
3	GU32115010	Pipa aspirazione dx	1	
4	880260	Protezione corpo f.	1	
5	B016796	Vite testa bombata torx	3	
6	AP8152298	Vite TBEI flangiata M5x16	2	
7	GU32115510	Guarnizione	2	
8	GU32115011	Pipa aspirazione sx	1	
9	GU98622322	Vite	4	
10	GU03013800	Rosetta 6,4x12	4	
11	884029	Vite TBEI M6x10	2	
12	GU95100116	Rosetta 6,25x10x1,5	2	
13	884311	Fascetta D.61	2	
14	887812	Manicotto corpo farfallato	1	
15	884310	Fascetta D.55	1	
16	GU93231605	Bussola antivib.	4	
17	GU30577800	Rosetta in nylon 5,5X12X1	4	
18	GU98370515	Vite	4	
19	2B000971	Copertura DX	1	
20	2B000972	Copertura SX	1	