



PIAGGIO & C.s.p.a.



## CATALOGUE DE PIÈCES DE RECHANGE

### V7 II RACER ABS 750 2015

Préfixe du cadre:  
Préfixe du moteur:



## Index

Produits finis.....	4
Index alphanumérique.....	5
CHASSIS.....	10
Tableau 33.01 - Chassis I.....	10
Tableau 33.02 - Chassis II.....	11
Tableau 33.03 - Béquille latérale.....	12
Tableau 33.06 - Levier boîte de vitesses.....	13
Tableau 33.07 - Fourche Av. I.....	14
Tableau 33.08 - Fourche Av. II.....	15
Tableau 33.11 - Amortisseur AR.....	17
Tableau 33.12 - Réservoir essence.....	18
Tableau 33.13 - Carrosserie av. - Garde-boue AV.....	19
Tableau 33.14 - Selle-Carrosserie cent.....	20
Tableau 33.15 - Carrosserie arrière I- Garde-boue.....	21
Tableau 33.16 - Carrosserie arrière II- Porte-plaque.....	22
Tableau 33.17 - Tableau de bord.....	23
Tableau 33.18 - Guidon - Commandes.....	24
Tableau 33.19 - Sys.frein avant.....	26
Tableau 33.21 - Pompe essence.....	27
Tableau 33.23 - Groupe echappement.....	28
Tableau 33.24 - Roue Av.....	30
Tableau 33.25 - Roue arrière.....	31
Tableau 33.26 - Maît.cyl. frein AR.....	32
Tableau 33.27 - Pince frein AR.....	34
Tableau 33.28 - Feux avant.....	35
Tableau 33.29 - Feux arriere.....	36
Tableau 33.30 - Circuit électrique I.....	37
Tableau 33.31 - Circuit électrique II.....	38
Tableau 33.32 - Kit serrure.....	39
Tableau 33.33 - Décalco et plaquettes.....	40
Tableau 33.52 - Corps filtre II.....	41
Tableau 33.53 - Système frein ABS.....	42
MOTEUR.....	43
Tableau 34.09 - Transmission cpl. I.....	43
Tableau 34.10 - Transmission cpl. II.....	44
Tableau 34.34 - Carter.....	47
Tableau 34.35 - Couvercle distribution.....	49
Tableau 34.36 - Tête cylindre.....	50
Tableau 34.37 - Arbre moteur cpl.....	51
Tableau 34.38 - Distribution.....	52
Tableau 34.39 - Pompe huile.....	54
Tableau 34.40 - Embrague I.....	55
Tableau 34.41 - Embrague II.....	56



---

Tableau 34.42 - Carter de boîte vitesses.....	57
Tableau 34.43 - Boîte de vitesses.....	58
Tableau 34.44 - Selecteur boîte de vitesses.....	59
Tableau 34.45 - Alternateur - Régul.....	60
Tableau 34.46 - Démarreur.....	61
Tableau 34.47 - Corps à papillon.....	62



V7  
GU119 - V7 II RACER ABS 750 2015

Préfixe du cadre:  
Préfixe du moteur:

## Produits finis

Code	Validité
GU9032115EUE00	
GU9032115EUE01	



Code	N° de tableau	Pos.	Code	N° de tableau	Pos.	Code	N° de tableau	Pos.
080341	33.30	6	2B000842	33.14	21	2H000430	33.33	15
1A000360	34.43	5	2B000843	33.01	17	2H000726	33.33	8
1A000361	34.43	11	2B000844	33.01	18	2H000727	33.33	14
1A000365	34.43	14	2B000970	33.21	2	2L000240	34.34	28
1A000366	34.43	16	2B000995	33.23	1	2Q000056	33.33	5
1A000367	34.43	20	2B000996	33.23	2	2R000109	33.08	29
1A000368	34.43	21	2B001004	33.02	9	2R000110	33.08	4
1A000369	34.43	22	2B001008	33.02	8	2R000243	33.08	15
1A000370	34.43	18	2B001009	33.06	8	584211	33.31	10
1A000436	34.43	8	2B001016	33.53	13	584332	33.29	7
1A000566	34.43	2	2B001031	34.47	14	638733	33.31	6
1A002604	34.43	7	2B001033	33.03	1	640598	33.28	11
1D0001275	33.24	20	2B001035	33.01	10	641040	33.30	8
1D0001275	33.25	19	2B001048	33.18	27	641541	34.39	8
248419	33.26	19	2B001049	33.18	10	641725	33.30	7
254485	33.14	16	2B001101	33.17	8	641901	33.30	4
254485	33.15	4	2B001197	33.19	13	642034	33.30	3
254485	33.28	20	2B001199	33.19	1	832029	33.30	14
254485	33.52	14	2B001201	33.18	3	834764	34.40	9
254485	34.45	10	2B001204	34.36	28	848650	34.40	3
285536	34.40	14	2B001230	33.02	10	849308	34.43	4
292022	33.28	9	2B001255	33.01	1	849309	34.43	17
292723	33.28	10	2B001256	33.02	2	849310	34.43	19
2A000085	34.35	1	2B001257	33.02	1	849396	34.43	12
2A000097	34.42	4	2B001258	33.53	2	849424	34.43	6
2A0000995	34.37	1	2B001282	33.27	7	854973	33.53	8
2A000115	34.45	6	2B001300	33.18	2	856796	33.06	20
2A000129	34.45	7	2B001342	33.21	2	857206	34.45	4
2A000146	34.38	1	2B001429	33.07	1	857250	34.42	10
2A000147	34.38	2	2B001556	33.53	4	860651	34.09	19
2A000196	34.42	16	2B001558	33.53	3	862560	34.44	22
2A000199	34.43	23	2B001561	33.24	22	873905	34.40	8
2A000202	34.43	24	2B001564	33.53	14	873928	34.40	6
2A000203	34.43	15	2B001570	33.53	21	873928	34.42	8
2A000204	34.41	12	2B001591	33.08	10	874567	34.37	14
2A000210	34.42	1	2B001597	33.26	13	880260	34.47	4
2A000216	34.41	13	2B001612	33.01	7	883127	33.52	6
2A000219	34.44	5	2B001613	33.02	3	883161	33.31	11
2A000222	34.44	12	2B001614	33.53	15	883266	33.13	2
2A000224	34.44	16	2B001620	33.53	5	883295	33.14	5
2A000225	34.44	19	2B001681	33.23	11	883349	33.25	8
2A000226	34.44	17	2B001683	33.23	10	883350	33.25	7
2A000227	34.44	18	2B001701	33.29	1	883417	33.28	24
2A000230	34.43	1	2B001708	33.24	21	883552	33.08	24
2A0002355	34.34	1	2B001926	33.19	9	883602	33.08	32
2A000241	34.40	17	2B001927	33.19	8	883673	33.19	17
2A000241	34.42	6	2B001928	33.19	6	883688	33.24	10
2A000306	34.42	5	2B001929	33.19	7	883826	34.34	18
2A000375	34.42	11	2B001941	33.06	27	884038	34.40	24
2A000376	34.41	20	2B001960	34.09	11	884043	33.23	27
2A000378	34.41	24	2B001988	33.14	25	884311	34.47	13
2A0003794	34.40	1	2B001998	33.18	28	886141	33.33	10
2A000383	34.41	1	2D000006	33.32	10	886365	34.34	10
2A000384	34.41	5	2D000021	33.17	10	886368	33.14	12
2A000385	34.41	6	2D000022	33.17	9	886629	34.40	2
2A000416	34.44	20	2D000024	34.45	1	886630	33.11	3
2A000438	34.42	17	2D000043	34.45	2	886645	33.01	11
2B000225	33.25	22	2D000102	33.53	1	886665	33.06	13
2B000229	33.27	1	2D000108	33.30	1	886665	33.26	1
2B000276	33.53	22	2D000108	33.31	1	886666	33.26	9
2B000377	33.25	23	2H000419	33.12	1	886668	33.06	16
2B000508	33.26	14	2H000421000Y02	33.13	7	886670	34.37	11
2B000525	33.27	6	2H000423	33.33	13	886675	33.11	1
2B000579	34.38	15	2H000424	33.33	12	886678	33.33	3
2B000838	33.14	10	2H000425	33.33	1	886681	33.24	2
2B000839	33.14	9	2H000426	33.33	7	886706	33.14	15
2B000841	33.14	20	2H000427	33.33	9	886711	33.25	2



Code	N° de tableau	Pos.	Code	N° de tableau	Pos.	Code	N° de tableau	Pos.
886712	33.16	9	896110	33.23	21	AP8120531	33.14	18
886713	33.16	10	897478	34.45	3	AP8120557	33.12	11
886724	33.13	10	898086	33.07	7	AP8120615	33.52	10
886727	33.14	19	898174	33.33	2	AP8120772	33.52	20
88673000Y02	33.13	1	89817800A3	33.14	1	AP8120772	34.34	29
886820	33.14	22	898179	33.13	7	AP8120870	33.23	20
886841	33.14	14	898180	33.13	8	AP8120876	33.52	8
886842	33.08	21	898280	33.16	6	AP8120912	33.06	2
887002	34.36	10	898281	33.06	22	AP8120912	33.26	2
887003	34.35	2	898281	33.26	27	AP8121014	33.03	3
887004	34.34	13	898282	33.06	1	AP8121032	33.15	13
887093	34.39	9	898283	33.06	3	AP8121032	33.17	7
887194	33.17	1	898284	33.06	9	AP8121072	33.23	22
887207	33.12	1	898285	33.26	30	AP8121307	33.07	4
8872690001	34.37	10	898286	33.26	17	AP8121375	33.03	2
8872690002	34.37	10	898287	33.26	12	AP8121420	33.14	6
8872690003	34.37	10	898288	33.26	4	AP8121420	33.32	8
8872724	34.36	1	898611	33.06	12	AP8121673	33.12	12
8872754	34.36	2	898612	33.06	23	AP8121927	33.26	3
887279	34.36	24	898612	33.26	28	AP8121929	33.16	7
887280	33.06	17	959559	33.53	16	AP8124936	33.30	2
887443	33.33	4	967356	33.03	6	AP8127856	33.03	8
887448	33.25	12	969973	34.36	26	AP8133873	33.26	22
887481	33.30	12	974162	34.43	10	AP8134378	33.23	18
887483	34.36	25	974165	34.43	13	AP8134448	33.16	2
887523	34.36	9	976604	34.34	12	AP8134640	33.26	35
887528	34.38	27	976608	34.10	1	AP8144071	33.23	16
887762	33.24	11	976614	33.14	13	AP8144071	34.36	23
887787	33.21	5	976685	34.34	16	AP8144081	33.07	5
887815	33.52	13	976898	34.36	20	AP8144146	33.07	3
887826	33.28	4	976941	34.09	1	AP8144538	33.52	15
887826	33.29	4	97729R	34.46	1	AP8144553	33.52	7
887827	33.28	5	977527	33.14	8	AP8144606	33.01	15
887827	33.29	5	977527	33.32	4	AP8144729	33.52	17
8878421	33.52	1	978311	33.28	2	AP8150015	33.53	12
887843	33.52	2	978385	33.23	12	AP8150026	33.06	19
887844	33.52	11	978386	33.23	15	AP8150044	33.06	14
887845	33.52	12	978387	33.23	4	AP8150044	33.26	25
887873	33.32	1	978415	33.14	7	AP8150045	34.40	11
887874	33.32	3	978415	33.32	9	AP8150115	33.06	5
887875	33.24	19	978947	33.15	2	AP8150137	33.06	4
887878	33.08	1	978949	33.16	1	AP8150178	33.24	17
887879	33.08	2	981149	33.28	12	AP8150349	33.32	6
887880	33.08	3	AP8101594	33.26	20	AP8150413	33.13	6
887882	33.08	5	AP8101595	33.12	15	AP8150416	33.12	8
887883	33.08	6	AP8101928	33.06	21	AP8150436	33.02	12
887884	33.08	7	AP8102375	33.31	14	AP8150451	33.53	19
887885	33.08	8	AP8102520	34.34	30	AP8150462	33.06	7
887886	33.08	9	AP8102524	33.03	4	AP8150468	33.26	29
887888	33.08	11	AP8102766	33.52	23	AP8150509	33.52	19
887889	33.08	12	AP8102913	33.14	3	AP8152043	33.19	4
887890	33.08	13	AP8104525	33.52	5	AP8152220	33.02	11
887891	33.08	14	AP8104924	33.52	4	AP8152220	34.39	18
887893	33.08	16	AP8110053	33.06	11	AP8152273	33.16	11
887894	33.08	17	AP8113003	33.19	15	AP8152273	33.21	4
887895	33.08	18	AP8113003	33.53	7	AP8152278	33.15	3
887896	33.08	19	AP8113004	33.19	14	AP8152278	33.28	13
887899	33.08	25	AP8113004	33.53	6	AP8152279	33.15	9
887900	33.08	23	AP8113288	33.26	16	AP8152279	33.53	11
887905	33.08	28	AP8113553	33.26	23	AP8152281	34.45	9
887916	33.08	22	AP8118490	33.18	24	AP8152282	33.31	7
887948	33.30	13	AP8120030	33.53	10	AP8152286	33.25	13
887971	33.33	11	AP8120246	34.09	10	AP8152288	33.27	4
890760	33.52	16	AP8120416	33.30	18	AP8152298	33.26	18
890979	33.28	16	AP8120416	33.31	19	AP8152298	34.47	6
894704	33.31	26	AP8120455	33.52	9	AP8152299	33.15	15
895709	33.53	18				AP8152299	33.30	5



Code	N° de tableau	Pos.	Code	N° de tableau	Pos.	Code	N° de tableau	Pos.
AP8152306	33.16	5	B063735	33.28	14	GU12003702	34.34	20
AP8152320	33.06	6	B063735	33.29	6	GU12022600	34.10	6
AP8152320	33.26	33	B063752	33.21	1	GU12022600	34.40	10
AP8152329	33.15	11	B063956	34.44	4	GU12154200	34.34	23
AP8152329	33.52	18	B063975	33.18	15	GU13021900	34.34	26
AP8152329	33.52	24	B064112	34.44	8	GU13021900	34.36	12
AP8152339	33.16	8	B064113	34.44	11	GU14085900	34.41	17
AP8152385	33.19	16	CM001928	33.07	9	GU14086100	34.41	7
AP8181140	33.31	24	CM001929	33.07	8	GU14090400	34.41	2
AP8201358	33.52	3	CM0074C9	33.30	10	GU14217901	34.40	25
AP8201358	34.36	27	CM0074D0	33.30	9	GU14609650	33.30	20
AP8210007	33.06	18	CM013202	33.31	25	GU14609650	33.31	19
AP8213028	33.18	23	CM225705	33.31	15	GU14615901	33.13	5
AP8213057	33.26	15	CM225710	33.31	16	GU14615901	34.09	20
AP8220283	33.31	22	CM225715	33.31	17	GU14615901	34.37	5
AP8220460	33.07	6	CM225720	33.31	20	GU14616150	33.24	15
AP8220590	33.01	20	CM225730	33.31	18	GU14616150	33.25	10
AP8221023	33.52	25	CM228306	34.47	1	GU18144350	34.39	16
AP8221023	33.53	9	GU00823923140	33.03	7	GU18161150	34.39	21
AP8221172	33.01	16	GU00823931055	33.28	19	GU18257551	33.26	8
AP8221172	33.18	18	GU00823931070	33.12	2	GU19002020	34.35	5
AP8221197	33.03	5	GU00823944050	33.12	16	GU19002020	34.42	2
AP8221277	33.06	10	GU00823950050	33.26	21	GU19003800	34.34	8
AP8221277	33.06	25	GU01103860	33.01	13	GU19007700	34.45	8
AP8224164	33.16	3	GU01528930	34.10	9	GU19015020	34.34	5
AP8224462	33.31	21	GU01528930	34.42	18	GU19017000	33.02	4
AP9100477	33.06	15	GU01609630	33.18	14	GU19018920	34.39	10
AP9100477	33.26	31	GU01659130	33.19	11	GU19021360	34.36	18
B013037	34.41	10	GU01659131	33.19	12	GU19021920	34.36	7
B013608	34.40	5	GU01665410	33.26	6	GU19025280	33.23	5
B013608	34.42	9	GU01744200	33.28	18	GU19025460	33.23	6
B015040	34.43	9	GU02717450	33.30	11	GU19030500	34.38	7
B015598	34.40	15	GU03013800	33.23	8	GU19032080	34.38	10
B016796	34.47	5	GU03013800	34.47	10	GU19032980	34.36	17
B017406	34.40	12	GU03067730	34.10	19	GU19032980	34.38	14
B017470	34.43	3	GU03101600	33.12	7	GU19034000	34.38	8
B018020	34.40	13	GU03101720	33.12	5	GU19037820	34.36	8
B018448	34.40	16	GU03101900	33.12	3	GU19045861	34.38	25
B043850	33.31	23	GU03102200	33.12	6	GU19055700	34.38	23
B063016	34.37	13	GU03102400	33.12	10	GU19058021	34.38	19
B063022	33.23	3	GU03103200	33.12	17	GU19058220	34.38	20
B063025	34.42	15	GU03103500	33.12	4	GU19062261	34.37	4
B063025	34.44	21	GU03163330	33.31	3	GU19065400	34.37	2
B063049	34.47	2	GU03270300	33.26	34	GU19067700	34.37	18
B063077	33.24	5	GU03468100	33.01	21	GU19083462	34.40	22
B063078	33.25	11	GU03609600	33.18	14	GU19146422	34.39	1
B063099	34.36	19	GU03612040	33.24	16	GU19152200	34.39	11
B063111	34.36	6	GU03631250	33.24	4	GU19206501	34.10	10
B063135	33.18	6	GU03631250	33.25	9	GU19213760	34.41	15
B063144	33.24	3	GU03658201	33.53	20	GU19327601	34.09	5
B06315100Y02	33.16	6	GU03658330	33.53	17	GU19328801	34.09	3
B063152	33.12	19	GU03740930	33.29	2	GU19350700	34.10	22
B063154	33.12	18	GU03749845	33.19	5	GU19351100	34.10	4
B063167	33.15	12	GU03922280	34.09	23	GU19351900	34.10	2
B063233	33.31	5	GU05107430	33.21	3	GU19352300	34.10	23
B063247	33.18	4	GU05217630	34.41	18	GU19353500	34.10	24
B063248	33.18	5	GU05234230	34.44	9	GU19355200	34.10	35
B063265	33.24	1	GU05234631	34.44	13	GU19355202	34.10	36
B063267	33.25	1	GU05235531	34.44	14	GU19355300	34.10	33
B063269	34.42	3	GU05238131	34.44	3	GU19355301	34.10	33
B063287	33.01	4	GU05238231	34.44	6	GU19355302	34.10	33
B063317	33.18	1	GU05238431	34.44	7	GU19355303	34.10	33
B063326	33.18	8	GU05239330	34.44	1	GU19355304	34.10	33
B063429	33.14	23	GU05659230	33.19	10	GU19355305	34.10	33
B063431	33.14	26	GU05900130	33.33	6	GU19355306	34.10	33
B063465	34.37	15	GU06740400	33.28	17	GU19355307	34.10	33
B063466	34.37	16	GU10528900	34.34	15	GU19355308	34.10	33



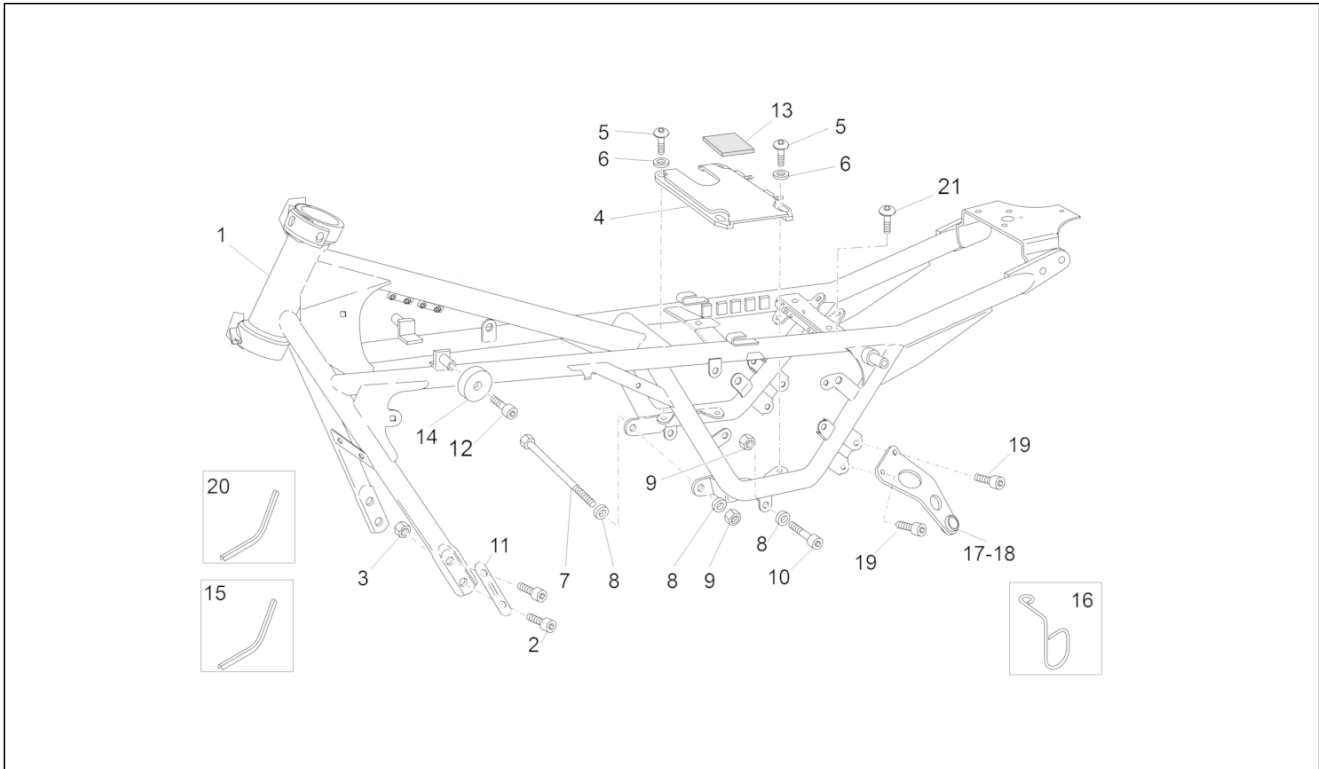
Code	N° de tableau	Pos.	Code	N° de tableau	Pos.	Code	N° de tableau	Pos.
GU19355309	34.10	33	GU31439565	33.13	4	GU90353009	34.36	4
GU19355320	34.10	27	GU31513480	33.08	20	GU90353014	34.44	10
GU19355321	34.10	27	GU31544181	33.27	3	GU90353029	34.38	24
GU19355322	34.10	27	GU31544181	34.09	15	GU90353030	34.10	17
GU19355323	34.10	27	GU31547882	34.09	14	GU90401424	34.42	14
GU19355324	34.10	27	GU31614183	33.24	9	GU90402538	33.25	6
GU19355325	34.10	27	GU31615260	33.24	6	GU90402642	33.24	8
GU19355326	34.10	27	GU31616384	33.24	12	GU90403251	34.10	38
GU19355327	34.10	27	GU31634281	33.27	2	GU90403549	34.10	3
GU19355328	34.10	27	GU31634481	33.25	15	GU90407591	34.10	15
GU19355329	34.10	27	GU31659181	33.27	9	GU90412541	34.42	13
GU19355400	34.10	21	GU31659281	33.27	8	GU90706076	34.34	9
GU19355402	34.10	21	GU32032310	34.38	11	GU90706111	34.39	22
GU19355404	34.10	21	GU32053410	34.38	16	GU90706141	33.30	17
GU19355406	34.10	21	GU32054510	34.38	17	GU90706170	34.41	19
GU19355408	34.10	21	GU32067910	34.40	19	GU90706188	34.10	29
GU19355410	34.10	21	GU32080310	34.40	23	GU90706203	34.10	7
GU19355411	34.10	21	GU32084410	34.40	20	GU90706203	34.40	26
GU19355412	34.10	21	GU32115010	34.47	3	GU90706235	34.41	14
GU19355413	34.10	21	GU32115011	34.47	8	GU90706281	34.34	19
GU19356700	34.10	30	GU32115510	34.47	7	GU90706444	34.34	17
GU19356760	34.41	16	GU32121010	33.23	7	GU90706584	34.10	37
GU19356801	34.10	28	GU32121910	33.23	25	GU91113826	33.23	29
GU19357660	34.10	25	GU32121911	33.23	26	GU91120806	33.15	6
GU19547000	34.09	12	GU32128610	33.23	13	GU91180601	33.15	10
GU20147710	34.39	17	GU32129010	33.23	14	GU91181003	33.18	11
GU20147810	34.39	3	GU32256910	33.06	28	GU91181003	33.19	3
GU20148410	34.39	4	GU32350410	34.10	13	GU91551010	33.52	21
GU20148610	34.39	5	GU32351410	34.10	16	GU91551086	33.14	11
GU20352421	34.10	31	GU32354610	34.10	18	GU92201070	34.10	14
GU20355121	34.10	34	GU32461610	33.14	2	GU92201226	34.40	4
GU23217800	34.38	3	GU32506360	33.28	1	GU92201226	34.42	7
GU23328081	34.09	7	GU32517710	33.31	8	GU92201822	34.40	7
GU23442210	33.06	24	GU32555210	33.11	4	GU92201822	34.42	12
GU23442210	33.26	11	GU32555211	33.11	5	GU92204217	33.25	5
GU23548080	34.09	8	GU32602860	33.18	12	GU92204218	33.25	3
GU23548180	34.09	9	GU32603010	33.18	16	GU92204221	33.24	7
GU23922210	33.17	11	GU32603310	33.18	7	GU92249220	34.10	32
GU23943410	33.08	31	GU32615660	33.24	14	GU92249225	33.07	2
GU27037521	34.38	4	GU32632510	33.25	17	GU92249227	34.10	20
GU27061585	34.37	3	GU32633360	33.25	14	GU92252210	34.39	2
GU27061885	34.37	17	GU32633560	34.10	11	GU92252235	34.10	5
GU27062060	34.37	6	GU32634160	33.27	5	GU92296723	34.39	6
GU27065660	34.37	7	GU32636160	33.25	21	GU92602406	34.38	9
GU27066460	34.37	9	GU32735510	33.32	5	GU92602510	34.39	19
GU27066560	34.37	8	GU32747910	33.31	9	GU92603010	34.36	11
GU27152885	34.34	22	GU32753410	33.28	3	GU92606206	33.17	6
GU27153085	34.39	14	GU32753410	33.29	8	GU92606208	34.34	7
GU27633910	33.25	4	GU32782510	33.32	2	GU92606210	33.01	9
GU28576591	33.12	13	GU32999010	34.34	25	GU92606210	33.02	5
GU28612033	33.25	18	GU32999510	34.34	24	GU92606210	34.09	18
GU29729461	33.31	2	GU35214300	34.09	13	GU92606316	33.25	16
GU29759150	33.18	17	GU49609601	33.30	19	GU92606508	34.41	21
GU30109330	33.23	24	GU49609601	33.31	19	GU92609408	34.46	2
GU30577800	33.29	13	GU61027200	34.37	12	GU92630106	33.08	27
GU30601060	33.18	25	GU61036801	34.36	3	GU92630108	33.15	5
GU30602500	33.18	22	GU61038100	34.38	6	GU92630206	33.26	26
GU31003766	34.10	8	GU61054900	34.38	18	GU92630206	33.26	5
GU31003766	34.34	14	GU61270300	34.10	26	GU92630207	33.24	18
GU31016050	34.39	20	GU61270300	34.34	6	GU92630510	33.01	3
GU31037015	34.38	13	GU61270300	34.36	21	GU92630510	33.11	7
GU31038015	34.38	5	GU66103415	33.01	14	GU92640508	33.23	19
GU31045015	34.38	26	GU90271014	34.44	2	GU92787006	33.28	6
GU31121880	33.23	9	GU90271018	34.38	12	GU92787006	33.29	11
GU31150950	34.39	26	GU90271022	34.44	15	GU93180105	34.09	21
GU31159050	34.39	15	GU90272023	34.09	4	GU93180111	33.24	13
GU31327783	34.09	2	GU90272075	34.40	21	GU93180245	34.36	22





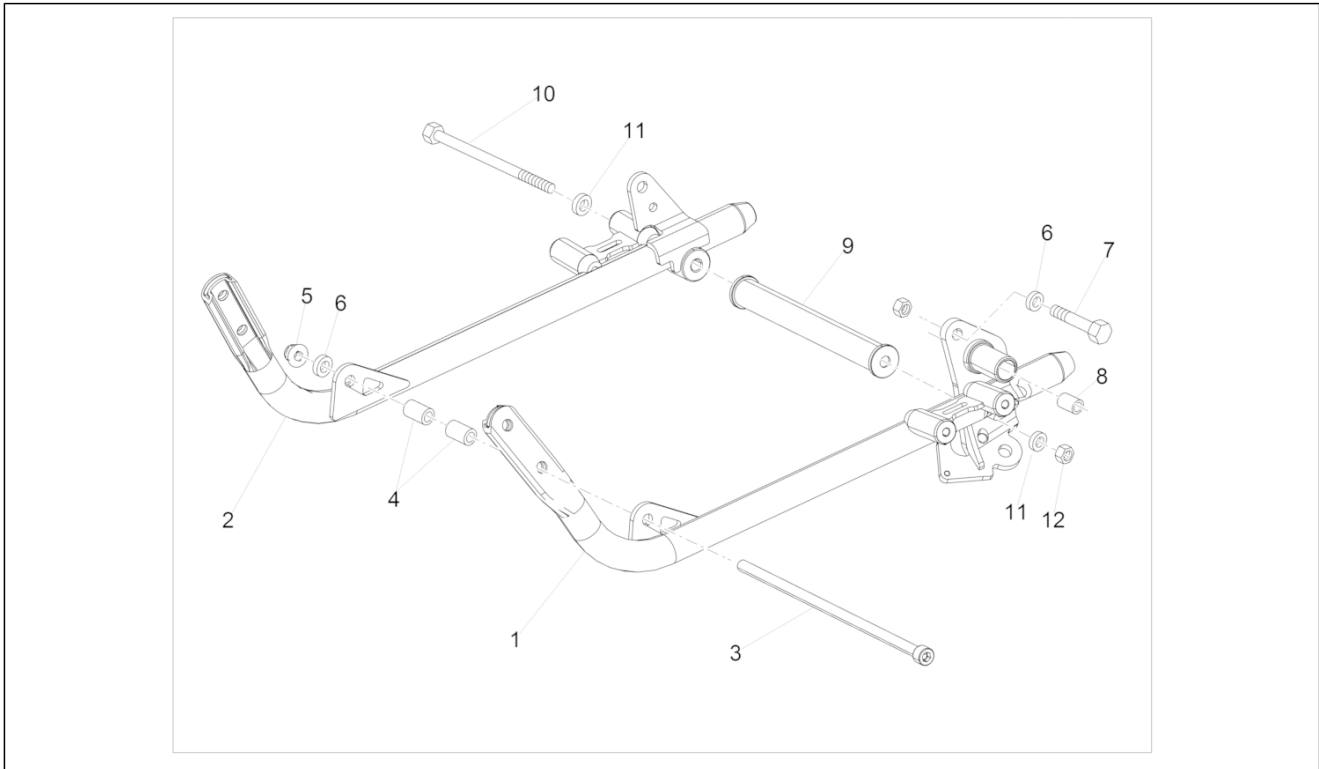
Code	N° de tableau	Pos.	Code	N° de tableau	Pos.
GU93222023	33.17	4	GU98350416	33.01	5
GU93231605	33.29	14	GU98370515	33.14	17
GU93305061	33.52	22	GU98370609	33.17	2
GU93305061	34.47	15	GU98370616	33.12	20
GU93450126	33.28	15	GU98370616	33.13	9
GU93450224	33.29	3	GU98370625	33.14	4
GU94321079	34.39	24	GU98370625	33.26	7
GU94321099	34.09	6	GU98370655	33.28	7
GU94321105	34.41	23	GU98370655	33.29	9
GU95005306	33.17	3	GU98370835	33.15	8
GU95005306	33.23	28	GU98370845	33.13	3
GU95005308	33.06	26	GU98612216	33.03	9
GU95005308	33.28	23	GU98612216	33.25	20
GU95005308	34.09	22	GU98620335	34.39	7
GU95005310	33.15	7	GU98622322	34.47	9
GU95005330	33.08	26	GU98680350	33.08	30
GU95008205	33.30	16	GU98680545	34.09	16
GU95008206	34.39	23	GU98682212	33.30	15
GU95008208	33.01	6	GU98682212	33.31	12
GU95008208	34.46	3	GU98682212	34.45	5
GU95008210	33.01	8	GU98682312	33.25	24
GU95008210	33.02	6	GU98682325	34.34	11
GU95008210	33.31	4	GU98682325	34.35	3
GU95008210	34.09	17	GU98682330	34.35	4
GU95008305	33.18	20	GU98682414	33.01	12
GU95008306	34.40	18	GU98682416	33.32	7
GU95020105	33.03	10	GU98682430	33.12	9
GU95021104	33.19	2	GU98682530	33.01	2
GU95021105	33.18	21	GU98690335	33.18	13
GU95021206	33.17	5	GU98690440	33.23	17
GU95021206	33.28	8	GU98692313	33.14	24
GU95021206	33.29	10	GU98692318	33.11	2
GU95100059	33.26	24	GU98692325	33.18	9
GU95100059	33.31	13	GU98692325	34.36	16
GU95100116	34.47	12	GU98692420	33.01	19
GU95100125	34.45	11	GU98692420	33.28	22
GU95100141	33.12	14	GU98880540	33.28	21
GU95100141	33.15	14	GU98882316	34.38	21
GU95100244	34.38	29			
GU95100309	34.39	27			
GU95100602	34.39	25			
GU95100709	34.34	21			
GU95129115	34.38	22			
GU95129180	34.34	27			
GU95129180	34.36	13			
GU95129181	33.11	6			
GU95187006	34.39	13			
GU95401215	33.26	10			
GU95500222	34.41	22			
GU96451430	34.34	3			
GU96451560	34.34	2			
GU96506042	34.36	5			
GU96508055	34.10	12			
GU96508055	34.34	4			
GU96510181	34.36	15			
GU96510214	34.36	14			
GU97202325	33.18	26			
GU98054422	34.38	28			
GU98082565	33.02	7			
GU98084314	34.39	12			
GU98110007	33.23	23			
GU98110199	33.01	12			
GU98230510	33.16	4			
GU98230510	33.18	19			
GU98252420	33.26	32			
GU98310609	34.47	11			
GU98350215	33.29	12			

<b>Groupe</b>	CHASSIS
<b>Code</b>	33.01
<b>Description</b>	Chassis I
<b>Révision</b>	1



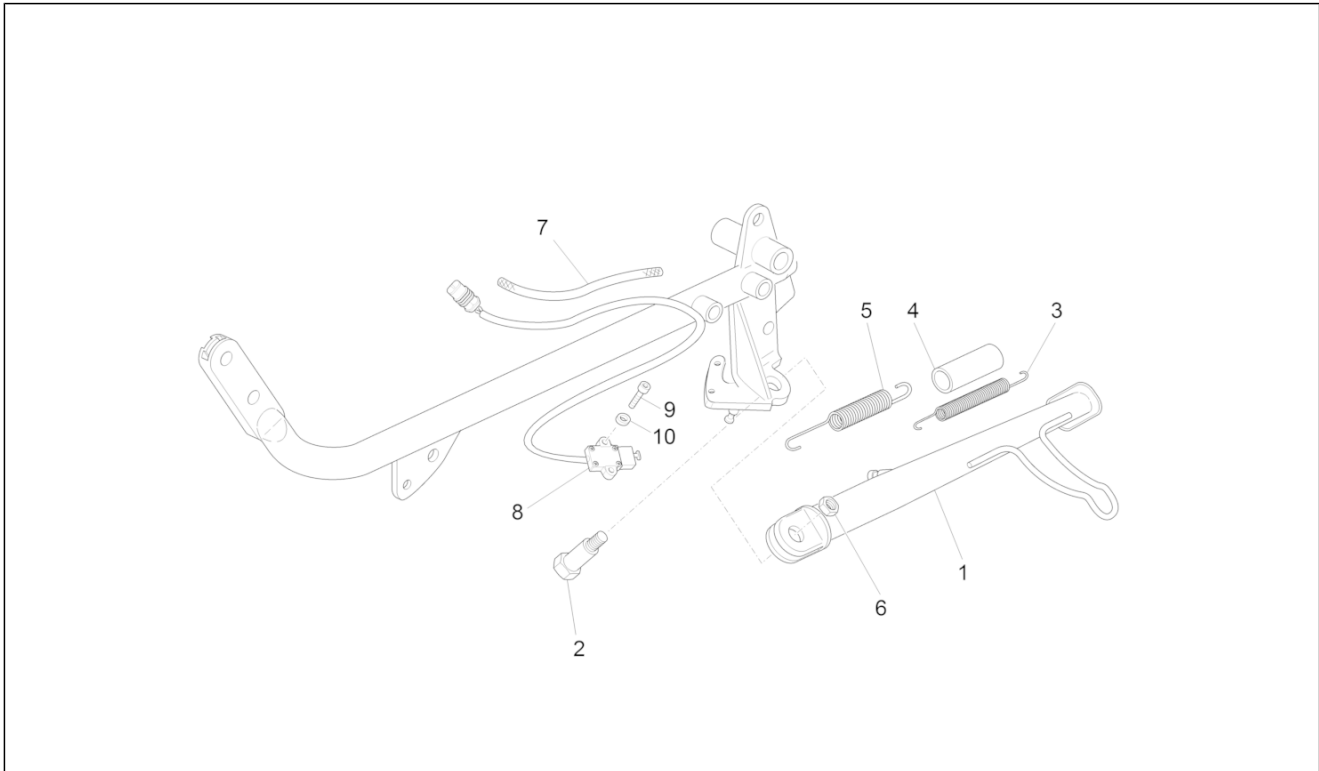
Pos.	Code	Description	Quant	Variants
1	2B001255	Chassis	1	
2	GU98682530	Vis M10x30	4	
3	GU92630510	Ecrou M10x1,5	4	
4	B063287	Plaque de liaison du cadre	1	
5	GU98350416	Vis M8x16	4	
6	GU95008208	Rondelle 8,4X15X1,5	4	
7	2B001612	Pivot M10X199	1	
8	GU95008210	Rondelle 10,2X18X2	11	
9	GU92606210	Ecrou M10x1,5	2	
10	2B001035	Pivot 234X10	1	
11	886645	Plaquette	2	
12	GU98110199	Pivot M10x205	1	
12	GU98682414	Vis	2	
13	GU01103860	Caoutchouc anti-vibrations	1	
14	GU66103415	Caoutchouc	2	
15	AP8144606	Joint 10X5	1	
16	AP8221172	Guide-câble	1	
17	2B000843	Support DX	1	
18	2B000844	Support SX	1	
19	GU98692420	Vis M8x20	4	
20	AP8220590	Joint	1	
21	GU03468100	Vis	1	

<b>Groupe</b>	CHASSIS
<b>Code</b>	33.02
<b>Description</b>	Chassis II
<b>Révision</b>	1



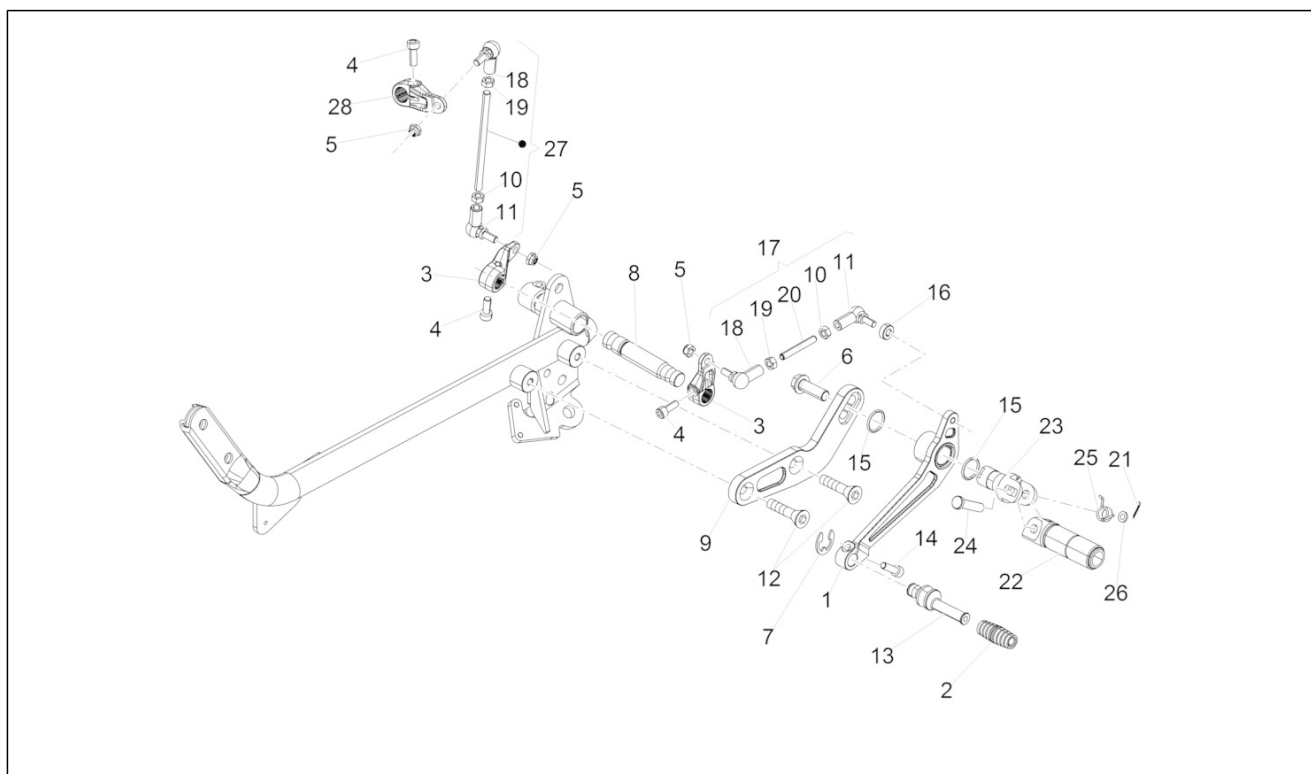
Pos.	Code	Description	Quant	Variants
1	2B001257	Bras g.	1	
2	2B001256	Bras d.	1	
3	2B001613	Pivot M10x250	1	
4	GU19017000	Douille	2	
5	GU92606210	Ecrou M10x1,5	3	
6	GU95008210	Rondelle 10,2X18X2	3	
7	GU98082565	Vis M10x65	2	
8	2B001008	Douille	1	
9	2B001004	Traverse	1	
10	2B001230	Pivot 278X10	1	
11	AP8152220	Rondelle	2	
12	AP8150436	Ecrou autofr. bas	1	

<b>Groupe</b>	CHASSIS
<b>Code</b>	33.03
<b>Description</b>	Béquille latérale
<b>Révision</b>	1



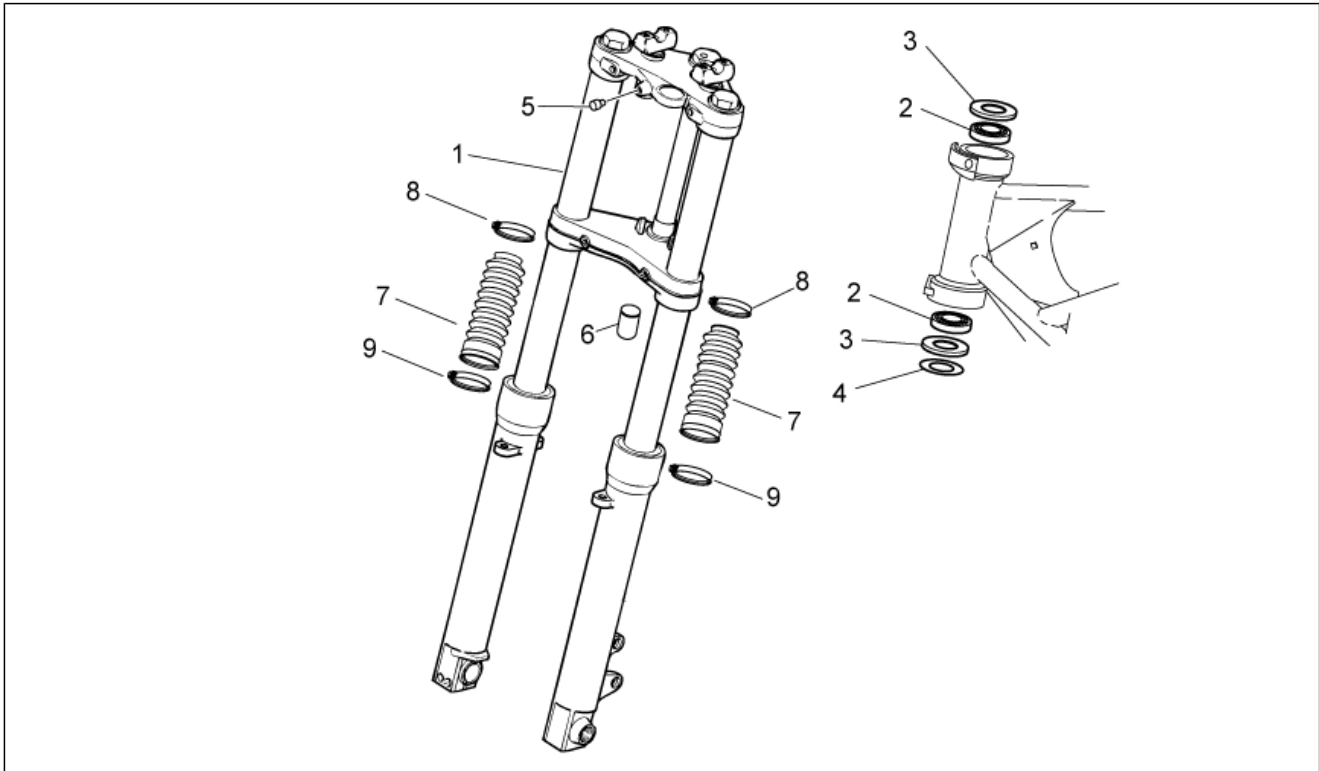
Pos.	Code	Description	Quant	Variants
1	2B001033	Béquille latérale	1	
2	AP8121375	Vis fix. béquille	1	
3	AP8121014	Ress.hél.cyl.tract. *	1	
4	AP8102524	Protec.ress.béquille	1	
5	AP8221197	Ressort rappel béq.	1	
6	967356	Ecrou bridé M10x1,25	1	
7	GU00823923140	Gaine thermique	1	
8	AP8127856	Interrupteur béquille	1	
9	GU98612216	Vis	2	
10	GU95020105	Rondelle 5,3x8,9x2,4	2	

<b>Groupe</b>	CHASSIS
<b>Code</b>	33.06
<b>Description</b>	Levier boîte de vitesses
<b>Révision</b>	1



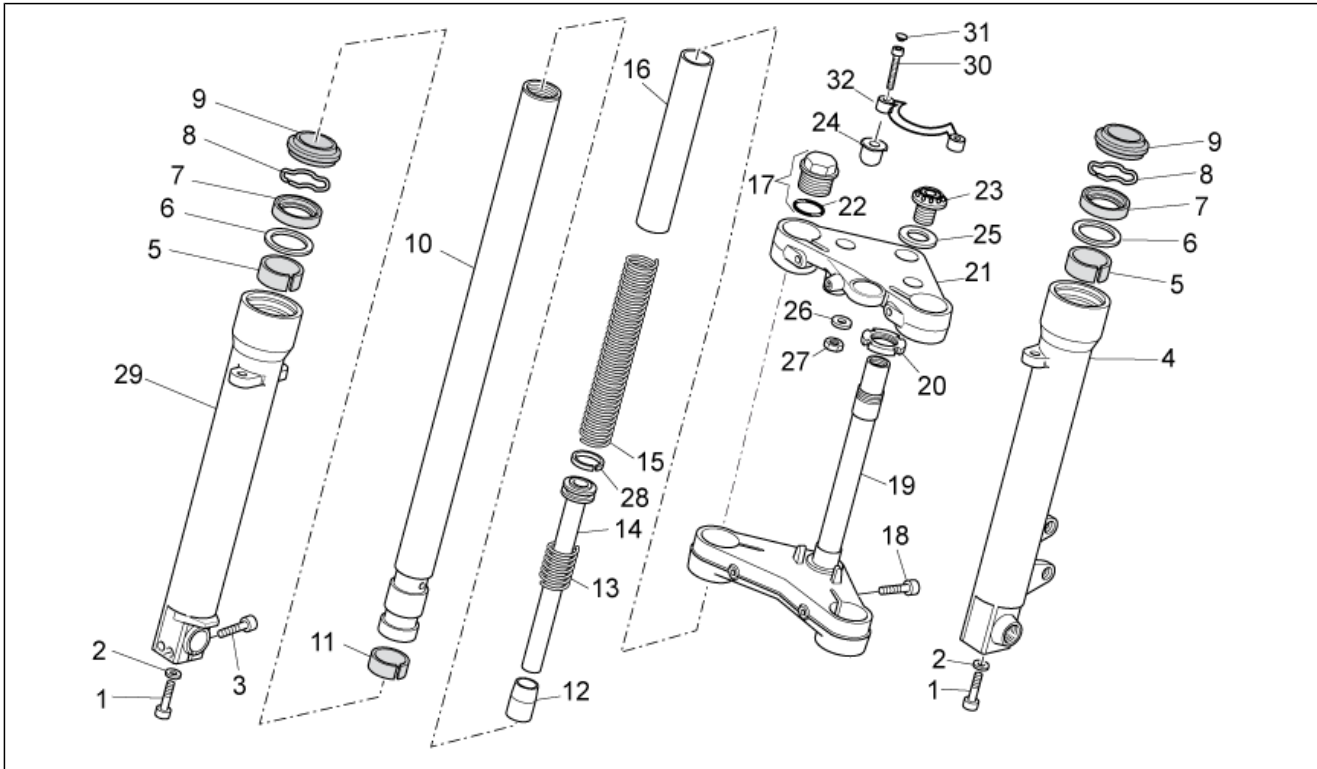
Pos.	Code	Description	Quant	Variants
1	898282	Levier boîte de vitesses	1	
2	AP8120912	Caoutchouc pour levier	1	
3	898283	Lavier commande chang. vit.	1	
4	AP8150137	Vis M6x16	1	
5	AP8150115	Ecrou autofr. bas M6	1	
6	AP8152320	Vis bride	1	
7	AP8150462	Bague seeger d9	1	
8	2B001009	Goujon de levier	1	
9	898284	Plaque de repose-pieds pilote	1	
10	AP8221277	Ressort retour repose-pieds	1	
11	AP8110053	Rotule G M6	1	
12	898611	Sup.pl.pilote gche	1	
13	886665	Tige	1	
14	AP8150044	Vis M6x20	1	
15	AP9100477	Joint torique 18x2	2	
16	886668	Entretoise	1	
17	887280	Tringle de commande de boîte de vitesses	1	
18	AP8210007	Rotule d.te M6	1	
19	AP8150026	Ecrou M6	1	
20	856796	Tige renvoi boîte de vitesses	1	
21	AP8101928	Goupille	1	
22	898281	Pedana pilota	1	
23	898612	Sup.pl.pilote dte	1	
24	GU23442210	Pivot	1	
25	AP8221277	Ressort retour repose-pieds	1	
26	GU95005308	Rondelle 8,4x14,57x1,6	1	
27	2B001941	Tringle de commande de boîte de vitesses	1	
28	GU32256910	Levier	1	

<b>Groupe</b>	CHASSIS
<b>Code</b>	33.07
<b>Description</b>	Fourche Av. I
<b>Révision</b>	1



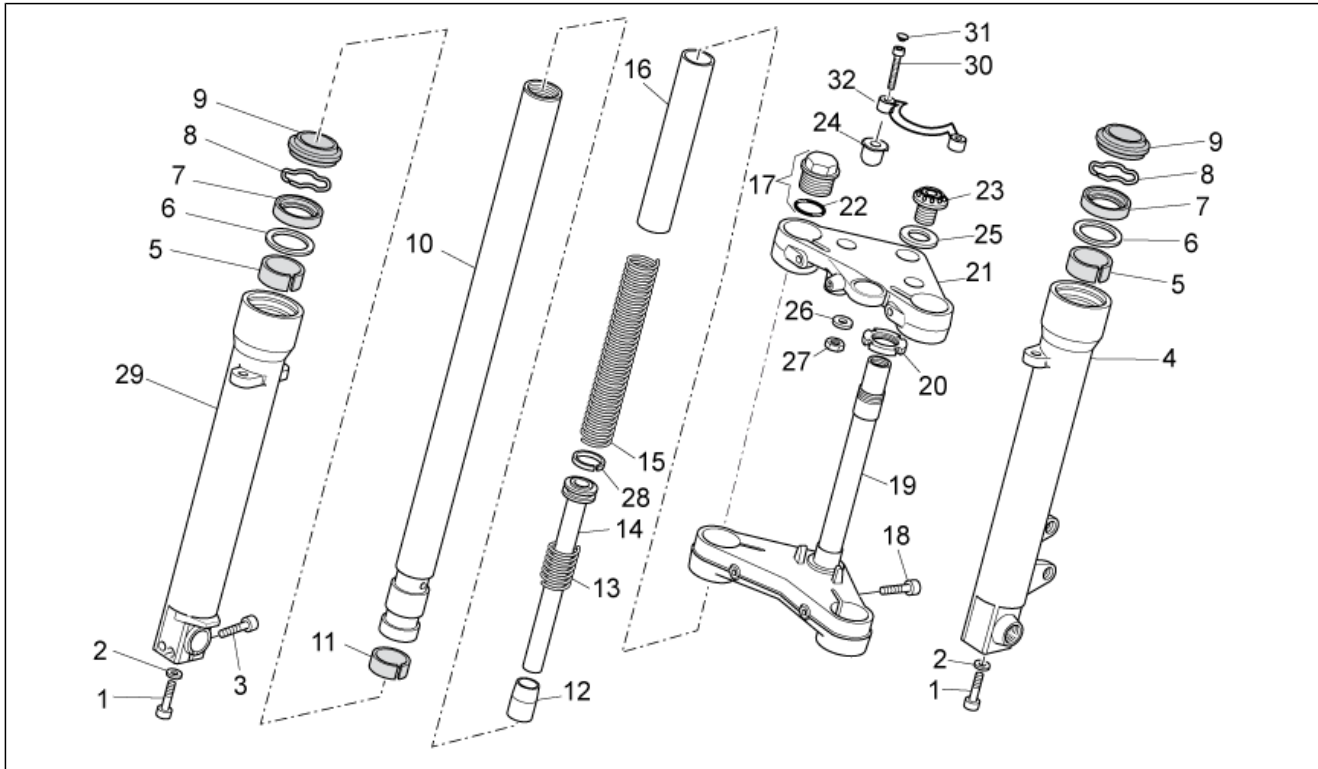
Pos.	Code	Description	Quant.	Variants
1	2B001429	Fourche complète	1	
2	GU92249225	Roulement roul.con.	2	
3	AP8144146	Bague d'étanchéité	1	
4	AP8121307	Rondelle	1	
5	AP8144081	Caoutchouc	1	
6	AP8220460	Rondelle en caoutchouc	1	
7	898086	Soufflet fourche	7	
8	CM001929	Fascetta stringitubo 63.5	2	
9	CM001928	Collier serr. Tube 44	2	

<b>Groupe</b>	CHASSIS
<b>Code</b>	33.08
<b>Description</b>	Fourche Av. II
<b>Révision</b>	1



Pos.	Code	Description	Quant	Variants
1	887878	Vis M10x30	2	
2	887879	Rondelle	2	
3	887880	Vis	2	
4	2R000110	Fourreau G	1	
5	887882	Douille supérieure	2	
6	887883	Rondelle	2	
7	887884	Bague d'étanchéité	2	
8	887885	Bague de butée	2	
9	887886	Pare-poussière	2	
10	2B001591	Tige	2	
11	887888	Douille	2	
12	887889	Tampon	2	
13	887890	Contre-ressort	2	
14	887891	Elém.pompage cpl	2	
15	2R000243	Ressort	2	
16	887893	Tuyau	2	
17	887894	Gr. bouchon cpl.	2	
18	887895	Vis	2	
19	887896	Base avec tube	1	
20	GU31513480	Bague M25X1	1	
21	886842	Plaque sup. fourche	1	
22	887916	Joint torique 4118	2	
23	887900	Ecrou	1	
24	883552	Douille	2	
25	887899	Rondelle	1	
26	GU95005330	Rondelle 6,4x30x1,5	2	
27	GU92630106	Ecrou M6x1	2	
28	887905	Segment	2	

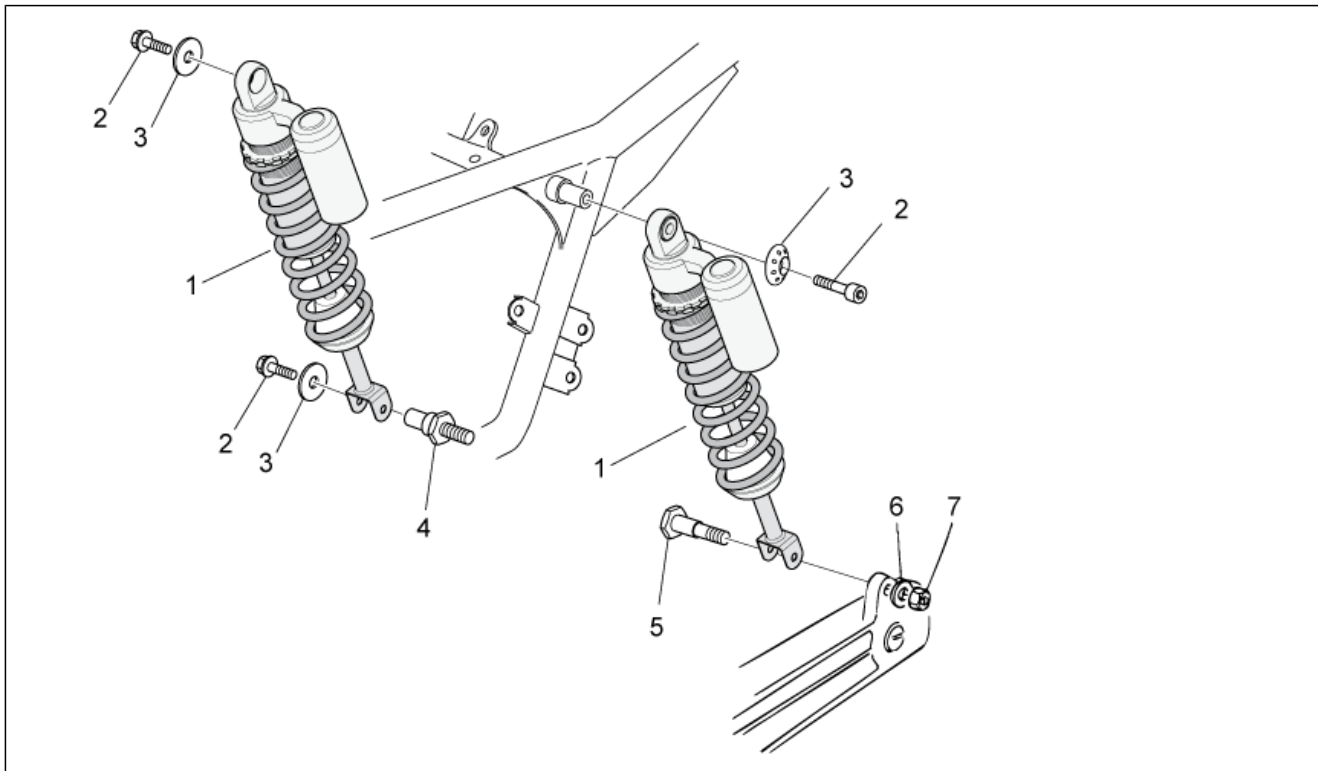
<b>Groupe</b>	CHASSIS
<b>Code</b>	33.08
<b>Description</b>	Fourche Av. II
<b>Révision</b>	1



Pos.	Code	Description	Quant	Variants
29	2R000109	Fourreau D	1	
30	GU98680350	Vis M6x50	2	
31	GU23943410	Bouchon	8	
32	883602	Tuyau	1	

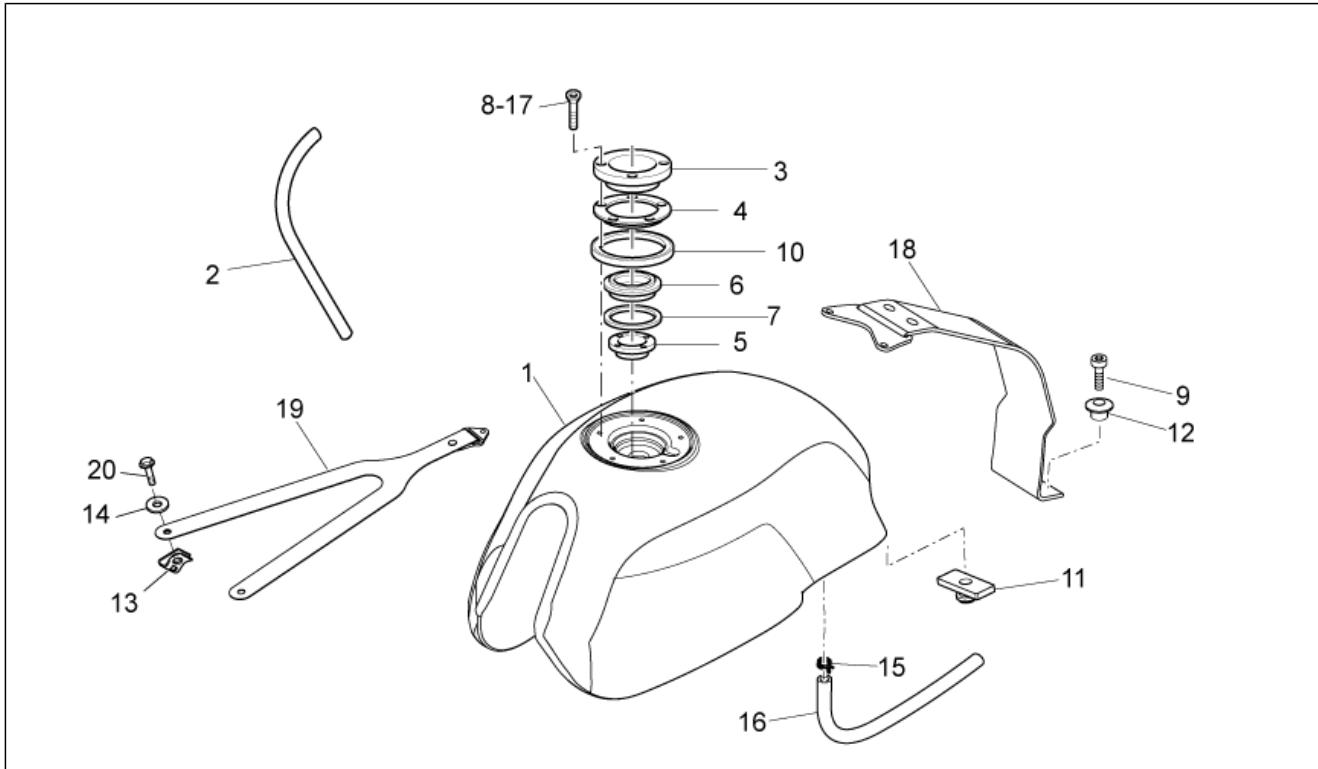


<b>Groupe</b>	CHASSIS
<b>Code</b>	33.11
<b>Description</b>	Amortisseur AR
<b>Révision</b>	1



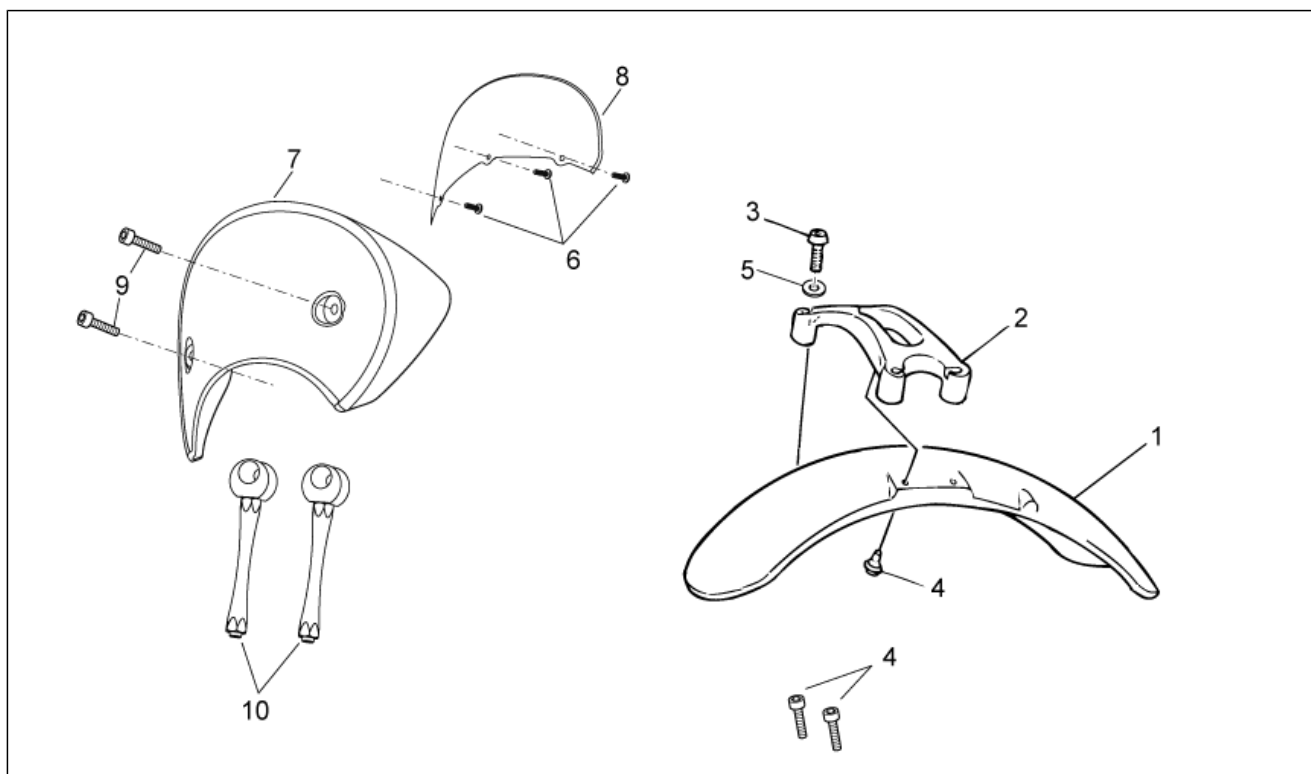
Pos.	Code	Description	Quant	Variants
1	886675	Amortisseur AR	2	
2	GU98692318	Vis	3	
3	886630	Douille	3	
4	GU32555210	Pivot	1	
5	GU32555211	Pivot	1	
6	GU95129181	Rondelle	1	
7	GU92630510	Ecrou M10x1,5	1	

<b>Groupe</b>	CHASSIS
<b>Code</b>	33.12
<b>Description</b>	Réservoir essence
<b>Révision</b>	1



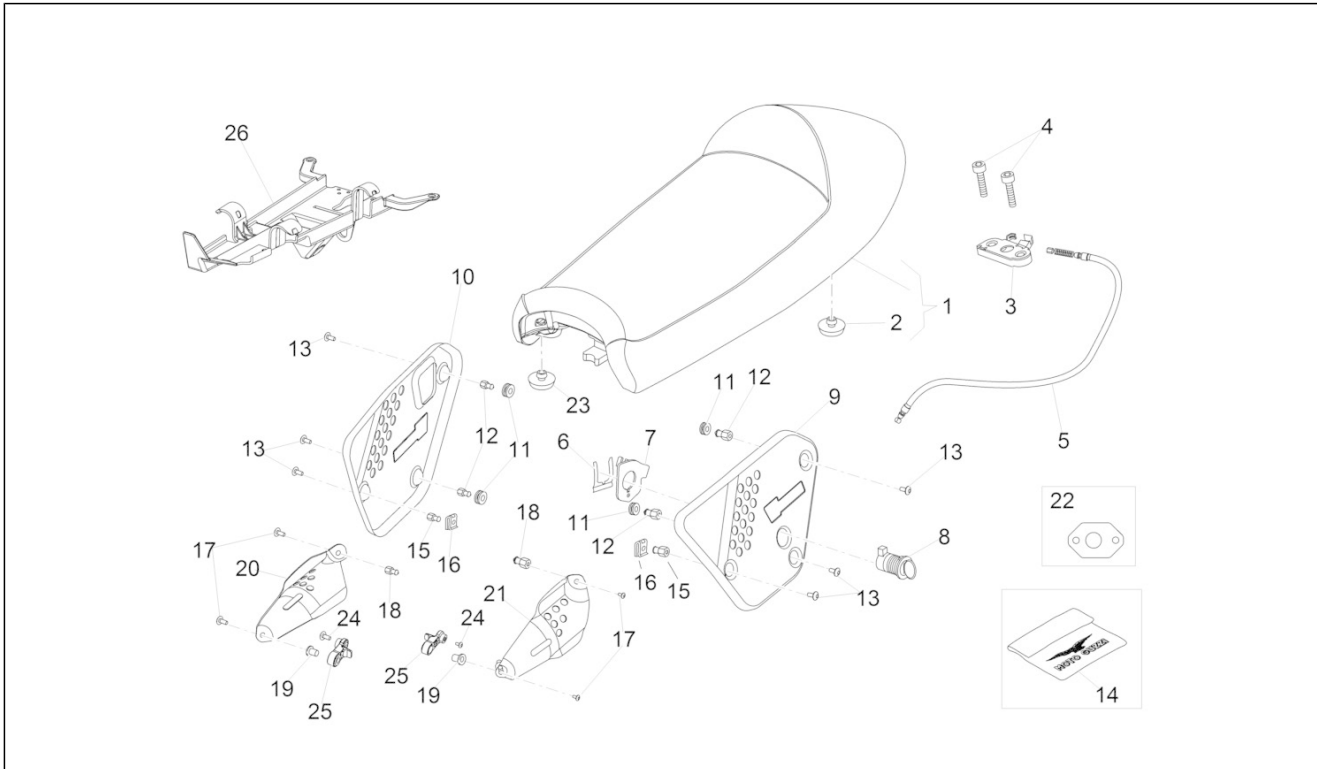
Pos.	Code	Description	Quant	Variants
1	2H000419	Réservoir carburant chromé	1	Spécification technique:Autocollant[D]
1	887207	Réservoir d'ess. écru	1	Couleur véhicule:Brut[GR]
2	GU00823931070	Joint	1	
3	GU03101900	Bride	1	
4	GU03103500	Bague	1	
5	GU03101720	Reduction 38 mm	1	
6	GU03102200	Embout pour bouchon	1	
7	GU03101600	Joint	2	
8	AP8150416	Vis	3	
9	GU98682430	Vis M8x30	1	
10	GU03102400	Joint	1	
11	AP8120557	Caoutchouc réserv.	1	
12	AP8121673	Douille en "T" *	1	
13	GU28576591	Clip M6	2	
14	GU95100141	Rondelle 6,4x12x1,2	2	
15	AP8101595	Collier D10,1	1	
16	GU00823944050	Tuyau 5X9	1	
17	GU03103200	Vis	2	
18	B063154	Courroie AR	1	
19	B063152	Courroie AV	1	
20	GU98370616	Vis M6x16 inox	2	

<b>Groupe</b>	CHASSIS
<b>Code</b>	33.13
<b>Description</b>	Carrosserie av. - Garde-boue AV
<b>Révision</b>	1



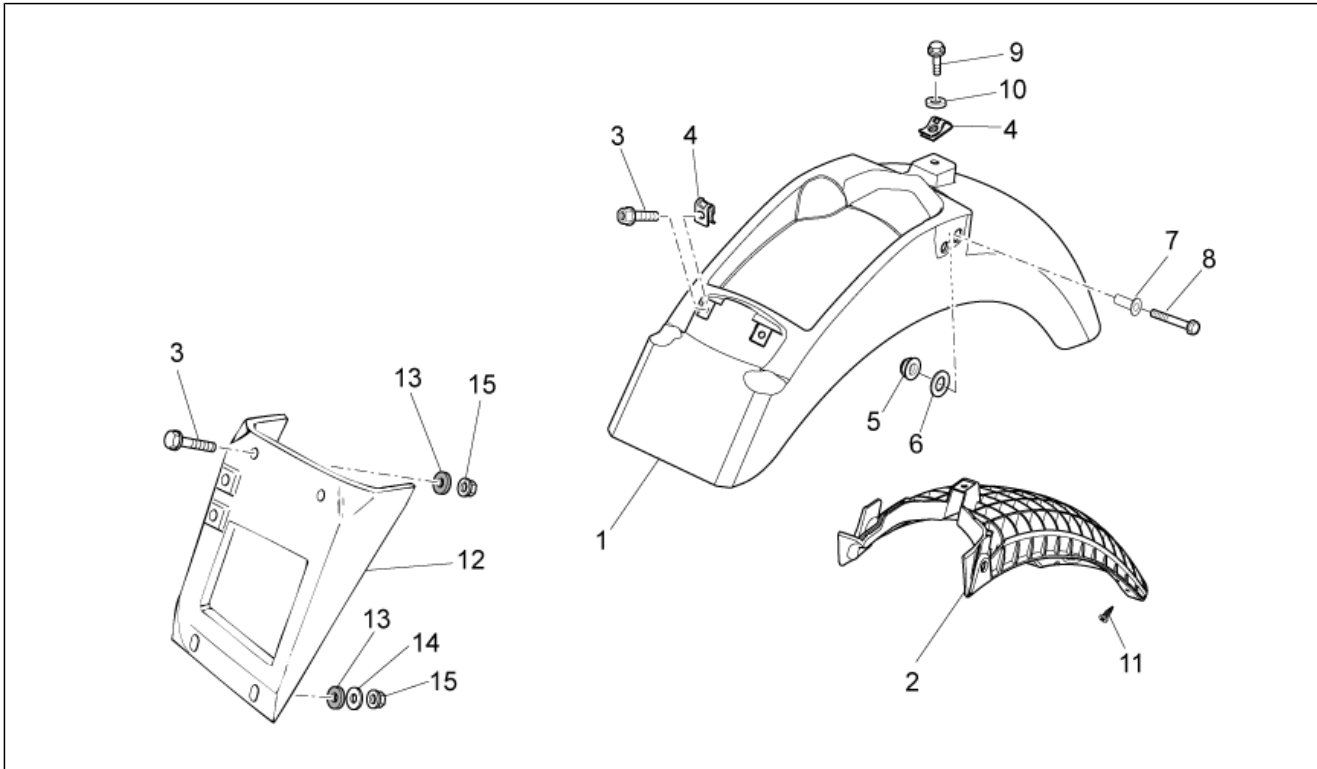
Pos.	Code	Description	Quant	Variants
1	88673000Y02	Garde-boue AV noir	1	
2	883266	Plaque de stabilisation	1	
3	GU98370845	Vis	4	
4	GU31439565	Vis spéciale	4	
5	GU14615901	Rondelle 8,4X13X0,8	4	
6	AP8150413	Vis taraud 3,9x14	3	
7	2H000421000Y02	Carénage noir	1	<b>Spécification technique:</b> Autocollant[D]
7	898179	Carénage brut	1	
8	898180	Vitre coupole	1	
9	GU98370616	Vis M6x16 inox	2	
10	886724	Support coupole	2	

<b>Groupe</b>	CHASSIS
<b>Code</b>	33.14
<b>Description</b>	Selle-Carosserie cent.
<b>Révision</b>	1



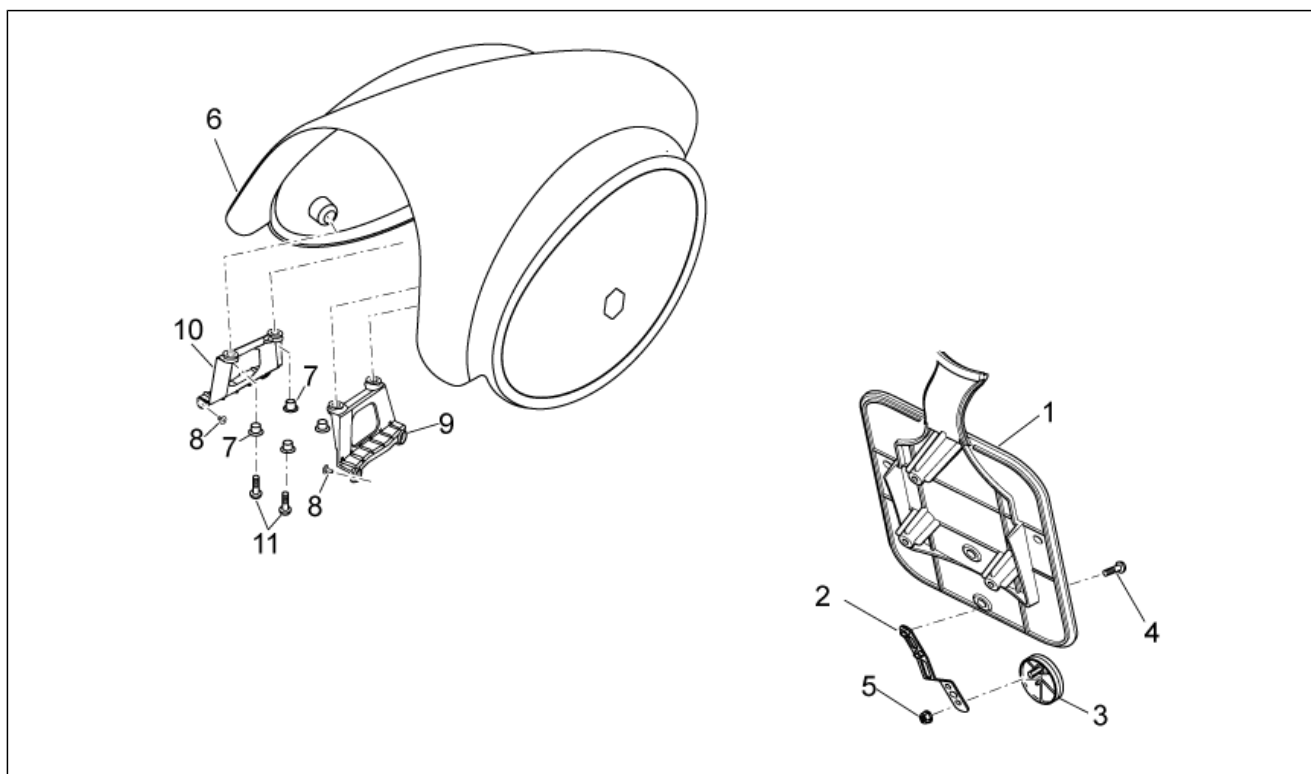
Pos.	Code	Description	Quant	Variants
1	89817800A3	Selle marron	1	
2	GU32461610	Caoutchouc	8	
3	AP8102913	Pl.fix.selle pass.	1	
4	GU98370625	Vis	2	
5	883295	Transmission décrochement sell	1	
6	AP8121420	Ressort à fourche	1	
7	978415	Plaque support câble	1	
8	977527	Serrure avec clés	1	
9	2B000839	Flanc G	1	Spécification technique:no decals[ND]
10	2B000838	Flanc D	1	Spécification technique:no decals[ND]
11	GU91551086	Caoutchouc	4	
12	886368	Tige fixation	4	
13	976614	Vis M5X15	6	
14	886841	Housse de prot. de selle	1	
15	886706	Tige fixation	2	
16	254485	Plaquette elastique M6	2	
17	GU98370515	Vis	4	
18	AP8120531	Caoutchouc avec insert	2	
19	886727	Tige fixation	2	
20	2B000841	Couvre-papillon D	1	
21	2B000842	Couvre-papillon G	1	
22	886820	Platine serr.selle	1	
23	B063429	Caoutchouc	2	
24	GU98692313	Vis M6x12	2	
25	2B001988	***Support	2	
26	B063431	Protection	1	

<b>Groupe</b>	CHASSIS
<b>Code</b>	33.15
<b>Description</b>	Carrosserie arrière I- Garde-boue
<b>Révision</b>	1



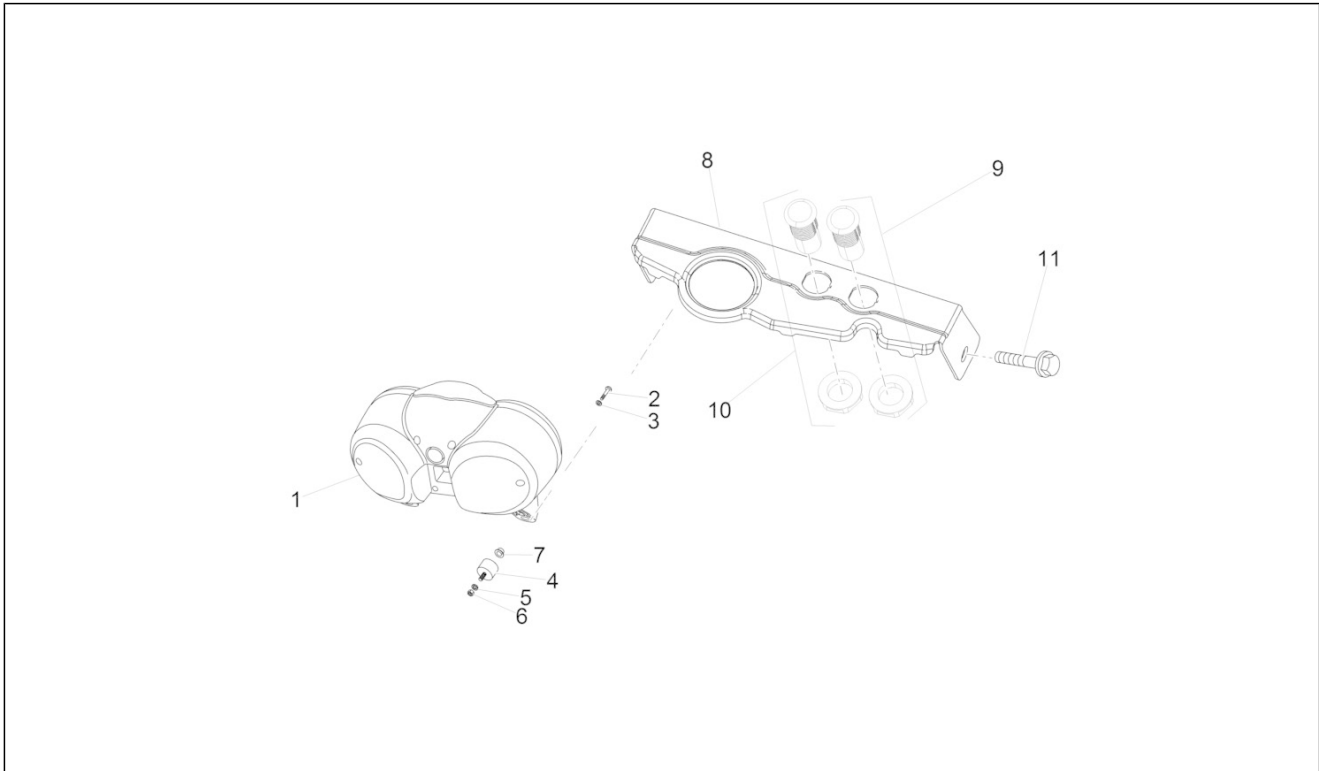
Pos.	Code	Description	Quant	Variants
1	97894600Y02	Garde-boue arrière noir	1	
2	978947	Soutien	1	
3	AP8152278	Vis bride M6x16	4	
4	254485	Plaquelette elastique M6	2	
5	GU92630108	Ecrou	2	
6	GU91120806	Entretoise	2	
7	GU95005310	Rondelle 8,4x18x2	2	
8	GU98370835	Vis	2	
9	AP8152279	Vis bride M6x20	2	
10	GU91180601	Entretoise 6,2x8x3	2	
11	AP8152329	Vis SWP crois. brid. M5x20	3	
12	B063167	Bavette anti-éclaboussures	1	
13	AP8121032	Douille	4	
14	GU95100141	Rondelle 6,4x12x1,2	2	
15	AP8152299	Ecrou autobloqu. M6	4	

<b>Groupe</b>	CHASSIS
<b>Code</b>	33.16
<b>Description</b>	Carrosserie arrière II- Porte-plaque
<b>Révision</b>	1



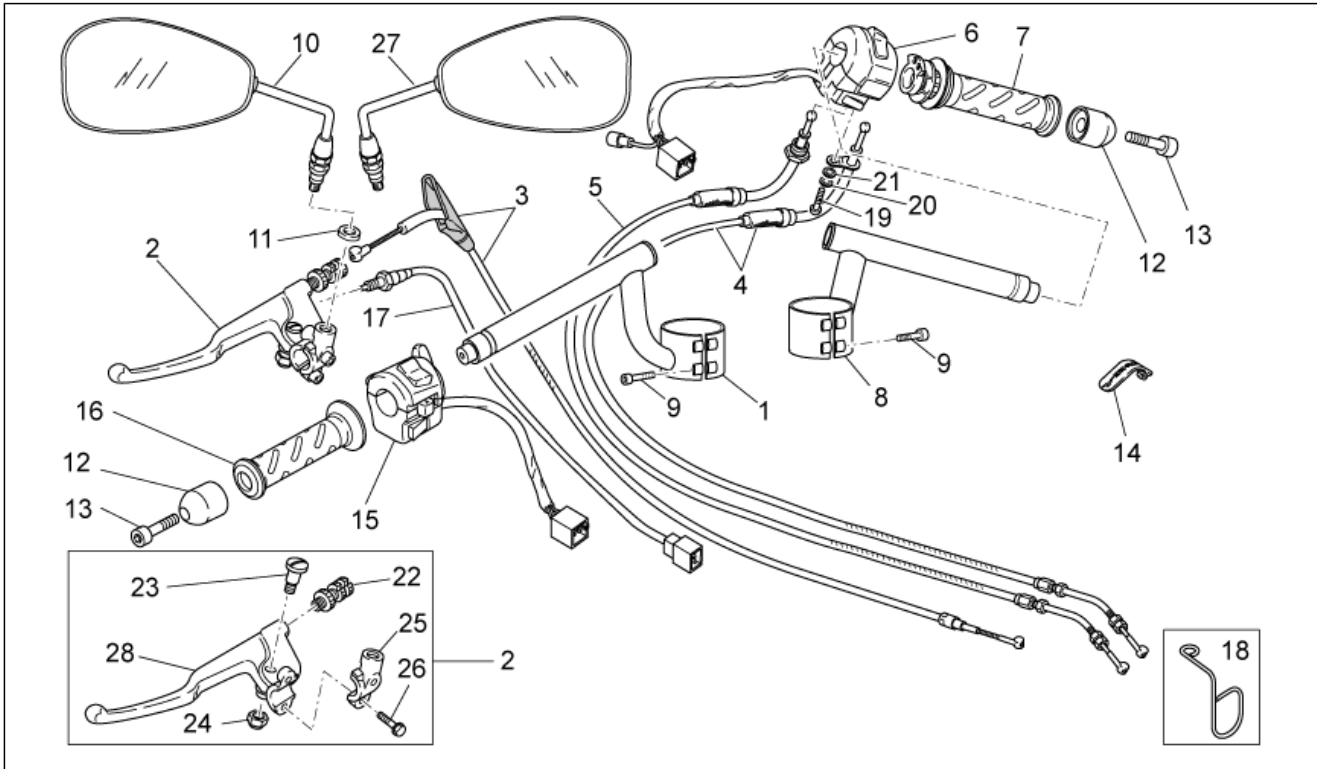
Pos.	Code	Description	Quant	Variants
1	978949	Porte-plaque	1	
2	AP8134448	Support catadioptr	1	
3	AP8224164	Catadioptr arrière, rouge	1	
4	GU98230510	Vis	2	
5	AP8152306	Ecrou autobloqu. m5	1	
6	898280	Queue brute	1	
6	B06315100Y02	Queue, noir	1	
7	AP8121929	Douille en "T" 6,5x8,6x9	4	
8	AP8152339	Vis bride M5x9	4	
9	886712	Bride gauche	1	
10	886713	Bride droite	1	
11	AP8152273	Vis bride M5X15	4	

<b>Groupe</b>	CHASSIS
<b>Code</b>	33.17
<b>Description</b>	Tableau de bord
<b>Révision</b>	1



Pos.	Code	Description	Quant	Variants
1	887194	Tableau de bord km/h	1	
2	GU98370609	Vis M6x10	3	
3	GU95005306	Rondelle 6,4x13x1,5	3	
4	GU93222023	Silentbloc	3	
5	GU95021206	Rondelle	3	
6	GU92606206	Ecrou	3	
7	AP8121032	Douille	3	
8	2B001101	Cadre outils	1	
9	2D000022	Temoin MGCT	1	
10	2D000021	Temoin ABS	1	
11	GU23922210	Pivot	2	

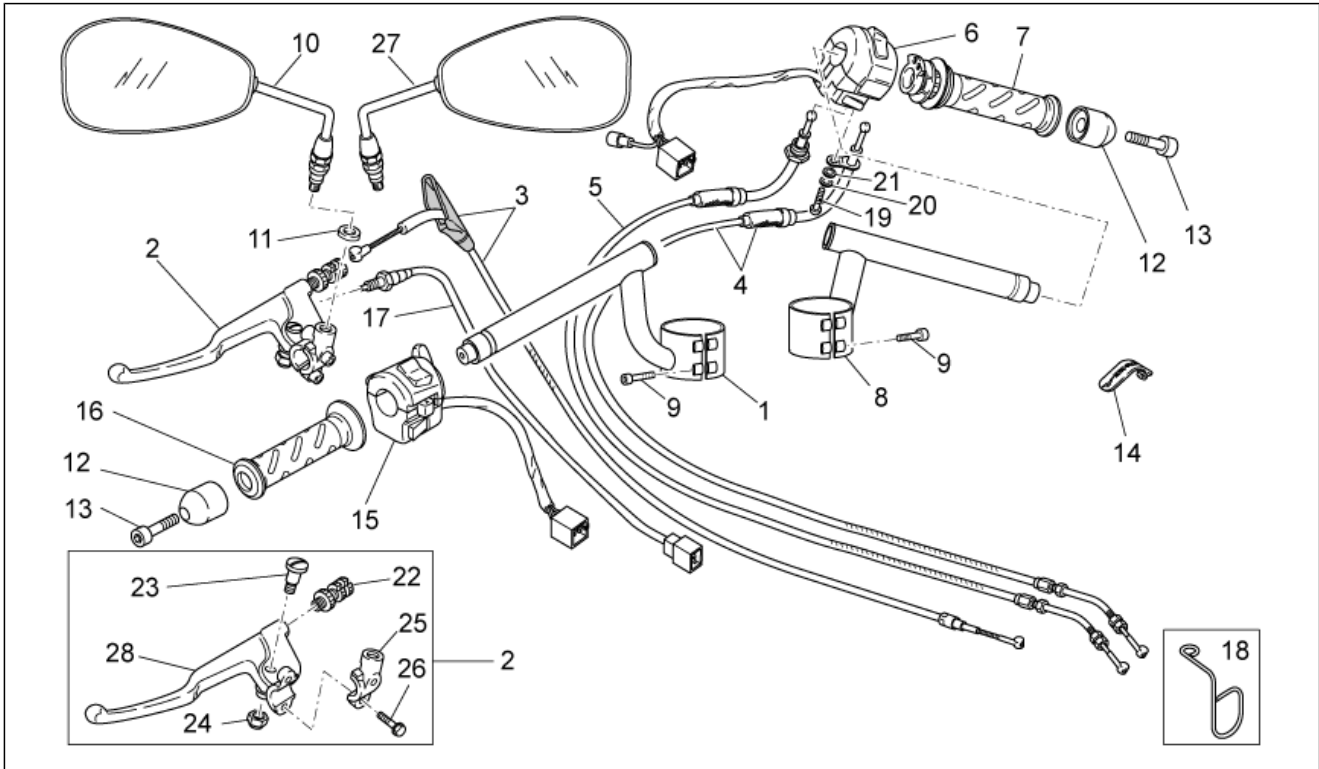
<b>Groupe</b>	CHASSIS
<b>Code</b>	33.18
<b>Description</b>	Guidon - Commandes
<b>Révision</b>	1



Pos.	Code	Description	Quant	Variants
1	B063317	Demi-guidon G	1	
2	2B001300	Levier embrayage complet	1	
3	2B001201	Câble embrayage	1	
4	B063247	Câble ouverture gaz	1	
5	B063248	Câble fermeture gaz	1	
6	B063135	Déviateur feux dte	1	
7	GU32603310	Poignée dr.	1	
8	B063326	Demi-guid.dte	1	
9	GU98692325	Vis M6x25	4	
10	2B001049	Miroir rétroviseur gche	1	
11	GU91181003	Entretoise 10,25X20X4	2	
12	GU32602860	Masse antivibratile chr.	2	
13	GU98690335	Vis	2	
14	GU01609630	Collier L46 mm	2	
14	GU03609600	Collier L36 mm	1	
15	B063975	Déviateur feux gche	1	
16	GU32603010	Poignée gc.	1	
17	GU29759150	Interrupteur béquille	1	
18	AP8221172	Guide-câble	1	
19	GU98230510	Vis	1	
20	GU95008305	Rondelle 5,3X10X1	1	
21	GU95021105	Rondelle évent.	1	
22	GU30602500	Réglage	1	
23	AP8213028	Vis	1	
24	AP8118490	Ecrou	1	
25	GU30601060	Etrier	1	
26	GU97202325	Vis bride noir M6x25	2	
27	2B001048	Miroir rétroviseur dte	1	

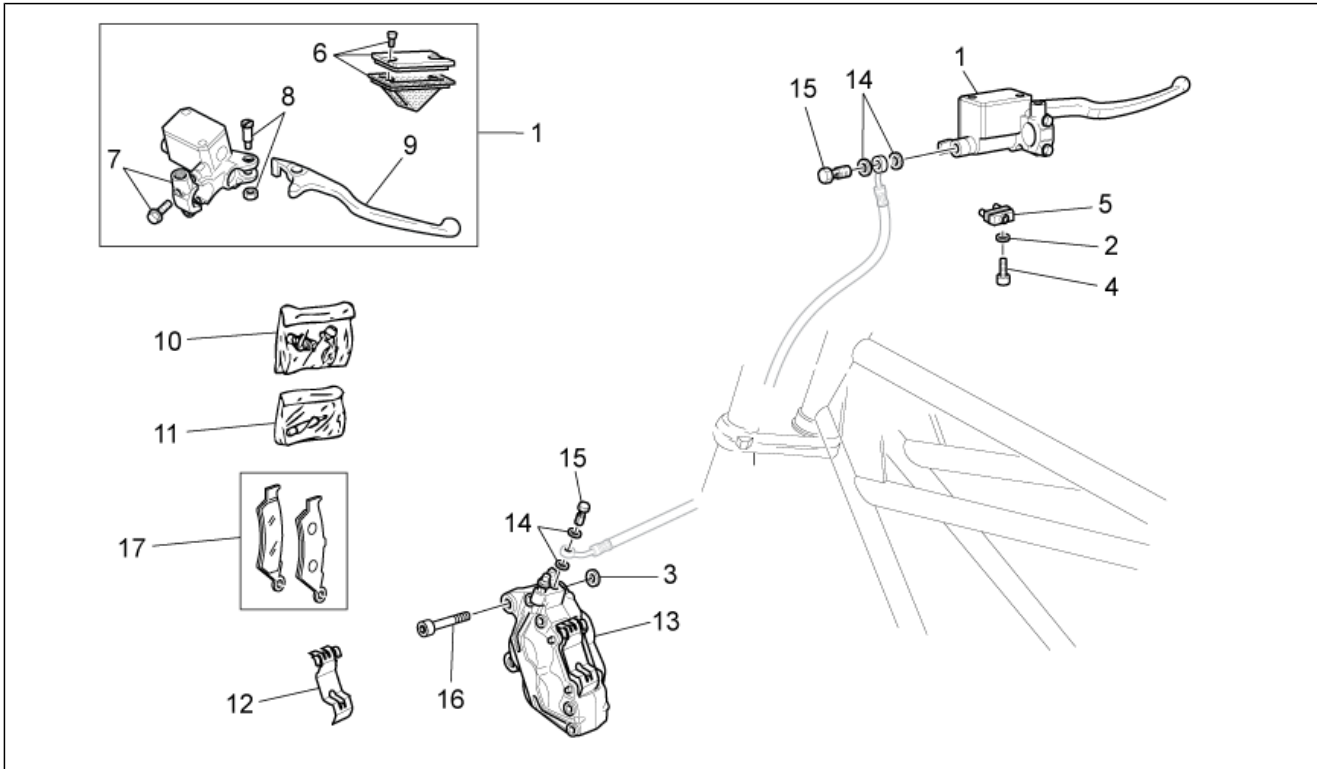


<b>Groupe</b>	CHASSIS
<b>Code</b>	33.18
<b>Description</b>	Guidon - Commandes
<b>Révision</b>	1



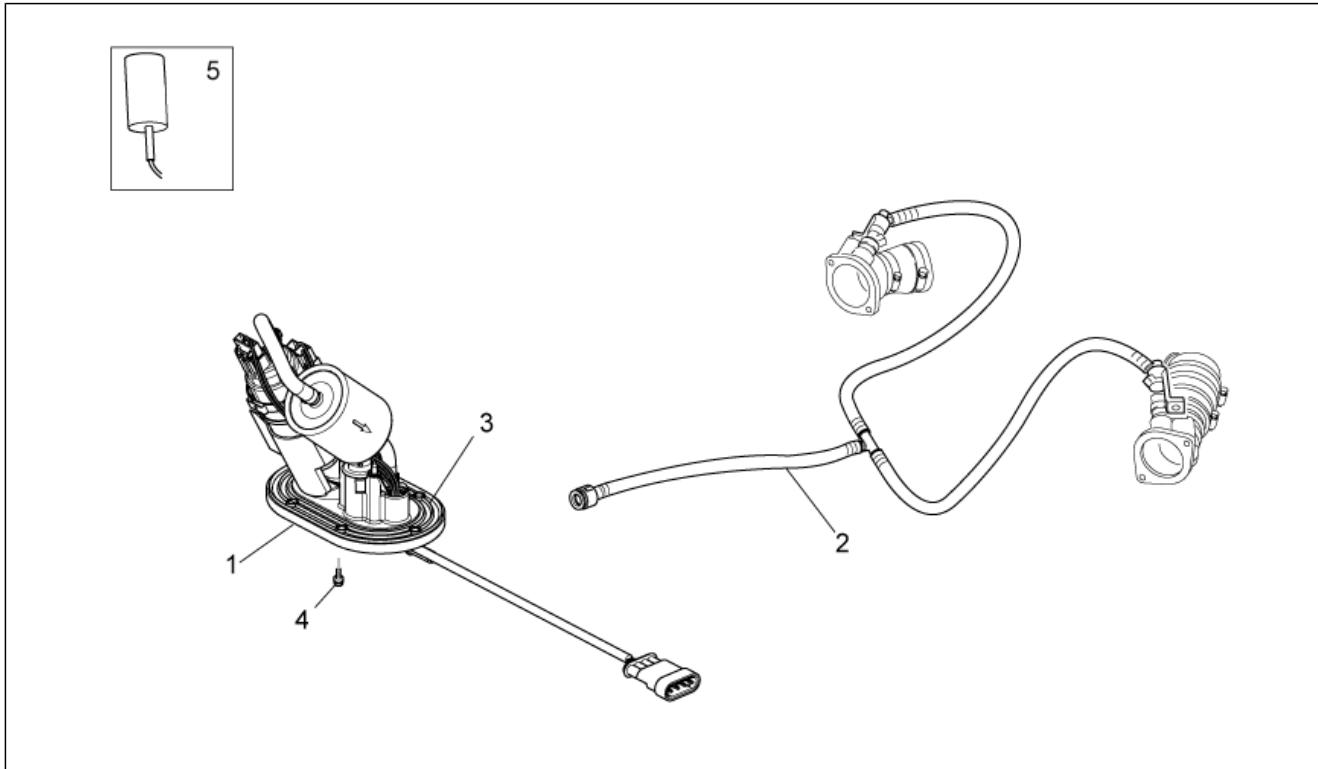
Pos.	Code	Description	Quant.	Variants
28	2B001998	Levier commande embr.	1	

<b>Groupe</b>	CHASSIS
<b>Code</b>	33.19
<b>Description</b>	Sys.frein avant
<b>Révision</b>	1



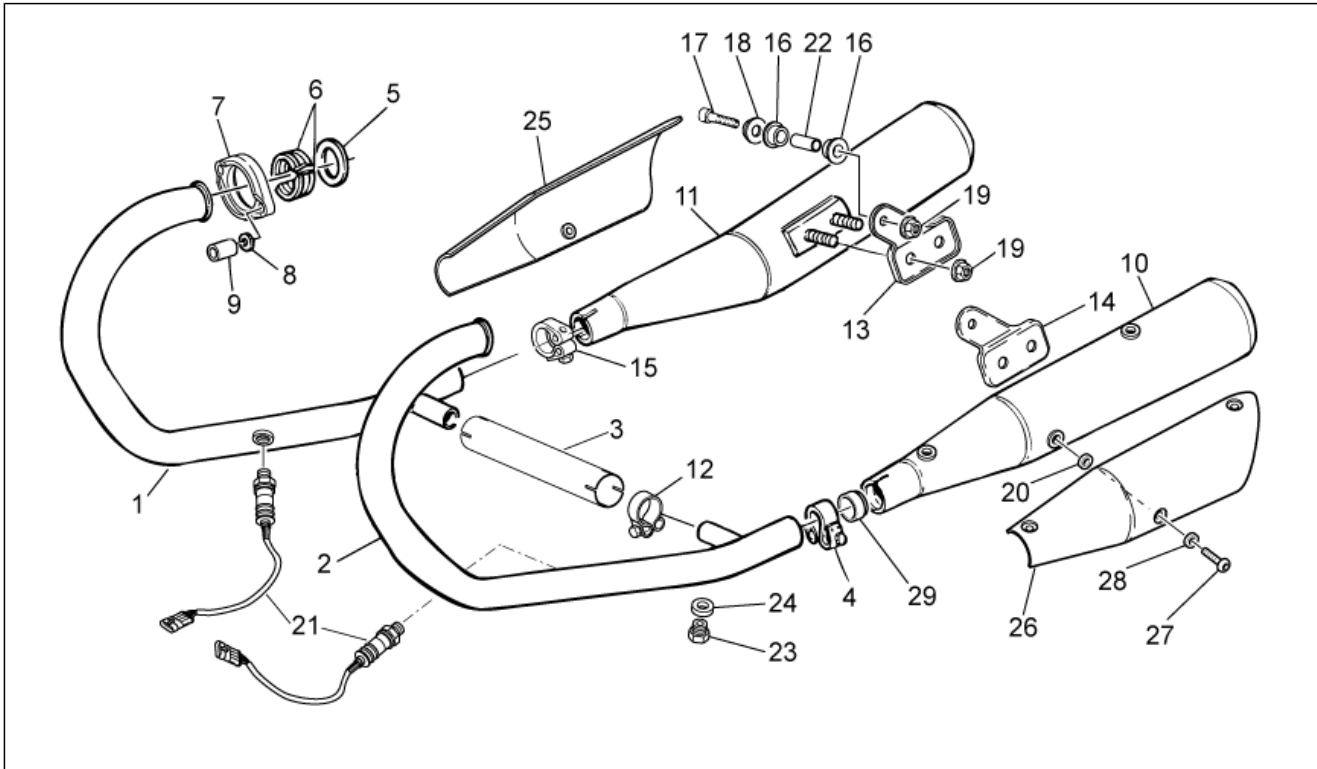
Pos.	Code	Description	Quant	Variants
1	2B001199	Maît. cyl. frein AV	1	
2	GU95021104	Rondelle 4,3x8x1,5	1	
3	GU91181003	Entretoise 10,25X20X4	2	
4	AP8152043	Vis M4x10	1	
5	GU03749845	Contacteur de stop	1	
6	2B001928	Couvercle pompe	1	
7	2B001929	Cavalier	1	
8	2B001927	Goujon de levier cpl.	1	
9	2B001926	Levier frein	1	
10	GU05659230	Purge+capuchon	1	
11	GU01659130	Pivots+ressorts pince	1	
12	GU01659131	Ressort	1	
13	2B001197	Etrier de frein av. gauche	1	
14	AP8113004	Rondelle 10x14x1,6*	4	
15	AP8113003	Vis tuyau huile *	2	
16	AP8152385	Vis M10x1,25	2	
17	883673	Plaquettes-paire	1	

<b>Groupe</b>	CHASSIS
<b>Code</b>	33.21
<b>Description</b>	Pompe essence
<b>Révision</b>	1



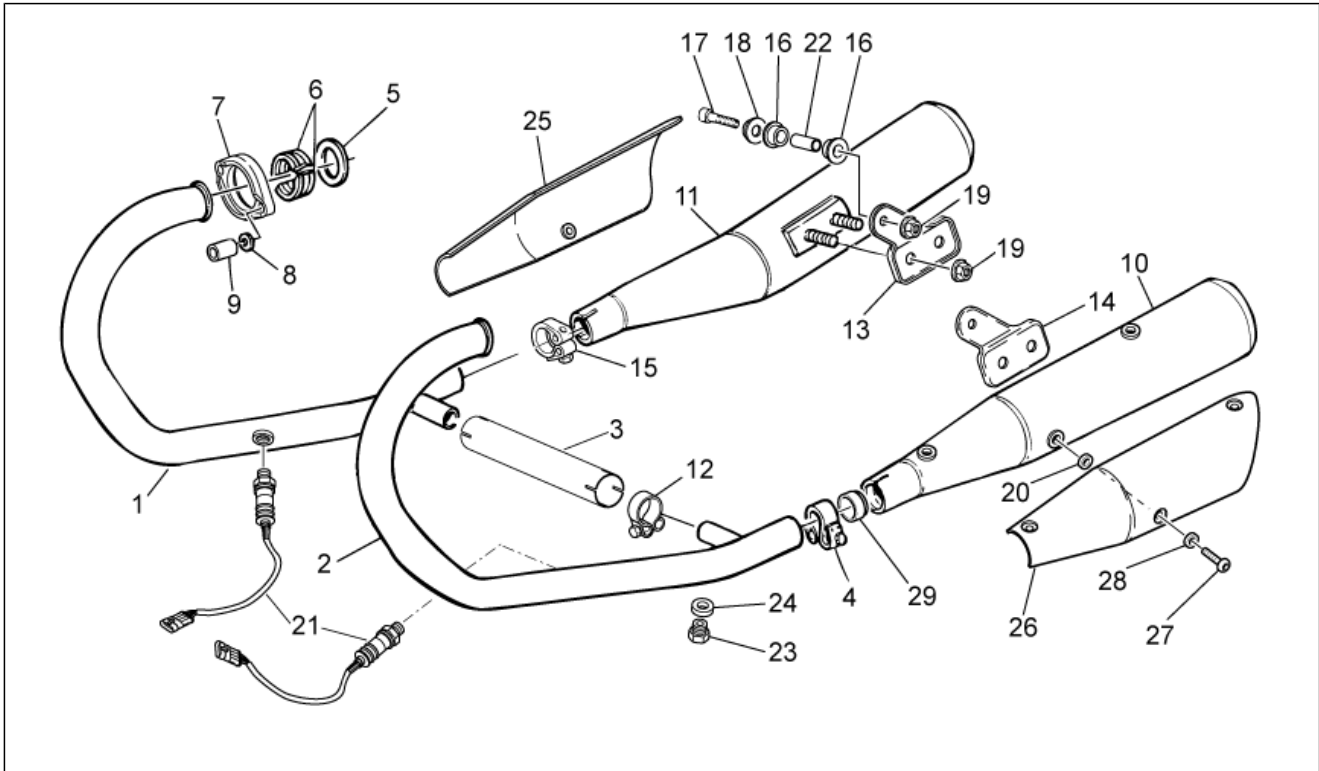
Pos.	Code	Description	Quant	Variants
1	B063752	Pompe carburant	1	
2	2B000970	Tuyau essence	1	
2	2B001342	Tuyau essence	1	
3	GU05107430	Joint	1	
4	AP8152273	Vis bride M5X15	6	
5	887787	Détecteur niveau essence	1	

<b>Groupe</b>	CHASSIS
<b>Code</b>	33.23
<b>Description</b>	Groupe echappement
<b>Révision</b>	1



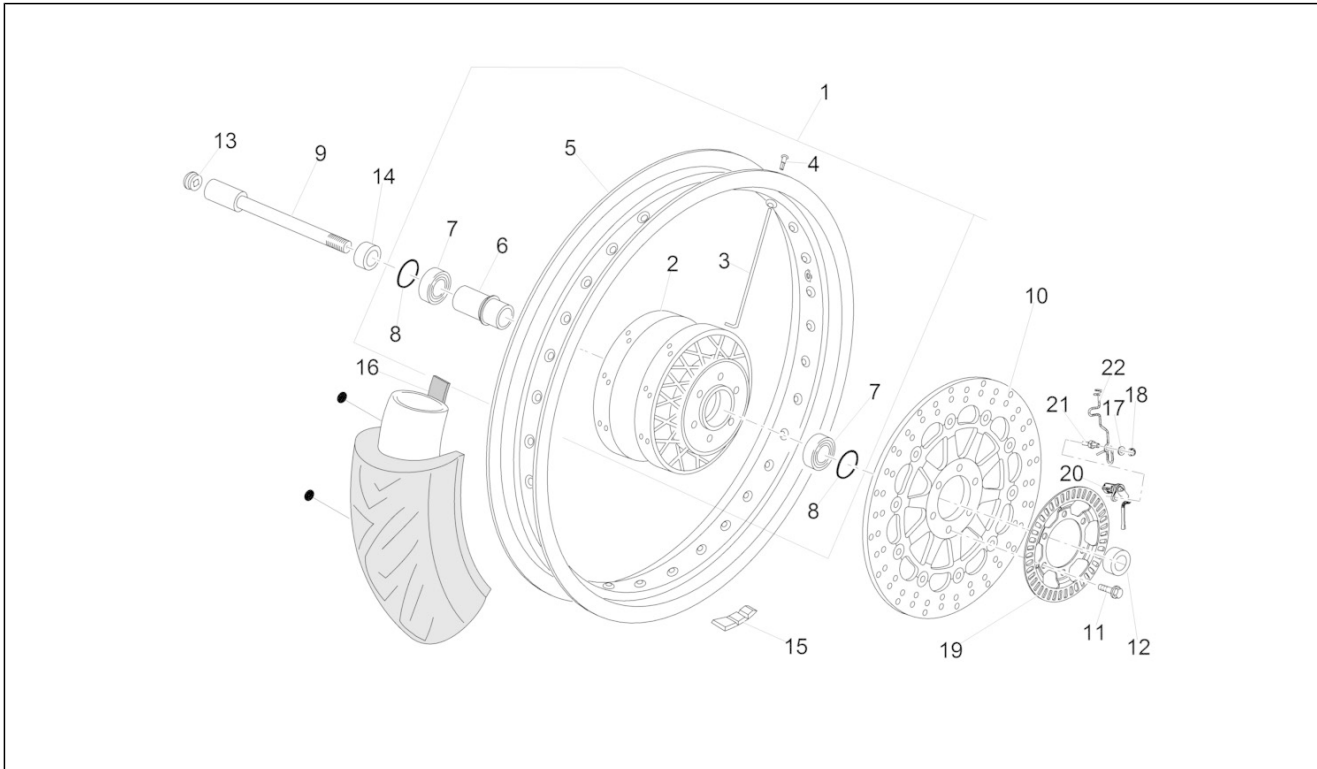
Pos.	Code	Description	Quant	Variants
1	2B000995	Collecteur échapp. D	1	
2	2B000996	Collecteur échapp. G	1	
3	B063022	Raccord collecteurs échap.	1	
4	978387	Collier silencieux gauche	1	
5	GU19025280	Joint	2	
6	GU19025460	Entretoise	4	
7	GU32121010	Bague	2	
8	GU03013800	Rondelle 6,4x12	4	
9	GU31121880	Ecrou	4	
10	2B001683	Silencieux D	1	
11	2B001681	Silencieux D	1	
12	978385	Collier	2	
13	GU32128610	Plaque d.	1	
14	GU32129010	Plaque g.	1	
15	978386	Collier silencieux droit	1	
16	AP8144071	Caoutchouc pot	4	
17	GU98690440	Vis TCEI M8x40	2	
18	AP8134378	Douille fixation silencieux	2	
19	GU92640508	Ecrou M8	6	
20	AP8120870	Rondelle isolante	6	
21	896110	Sonde lamda l.660 mm	2	
22	AP8121072	Entretoise	2	
23	GU98110007	Bouchon	2	
24	GU30109330	Joint	2	
25	GU32121910	Protect.dte	1	
26	GU32121911	Protect.gche	1	
27	884043	Vis bride M6x12	6	
28	GU95005306	Rondelle 6,4x13x1,5	6	

<b>Groupe</b>	CHASSIS
<b>Code</b>	33.23
<b>Description</b>	Groupe echappement
<b>Révision</b>	1



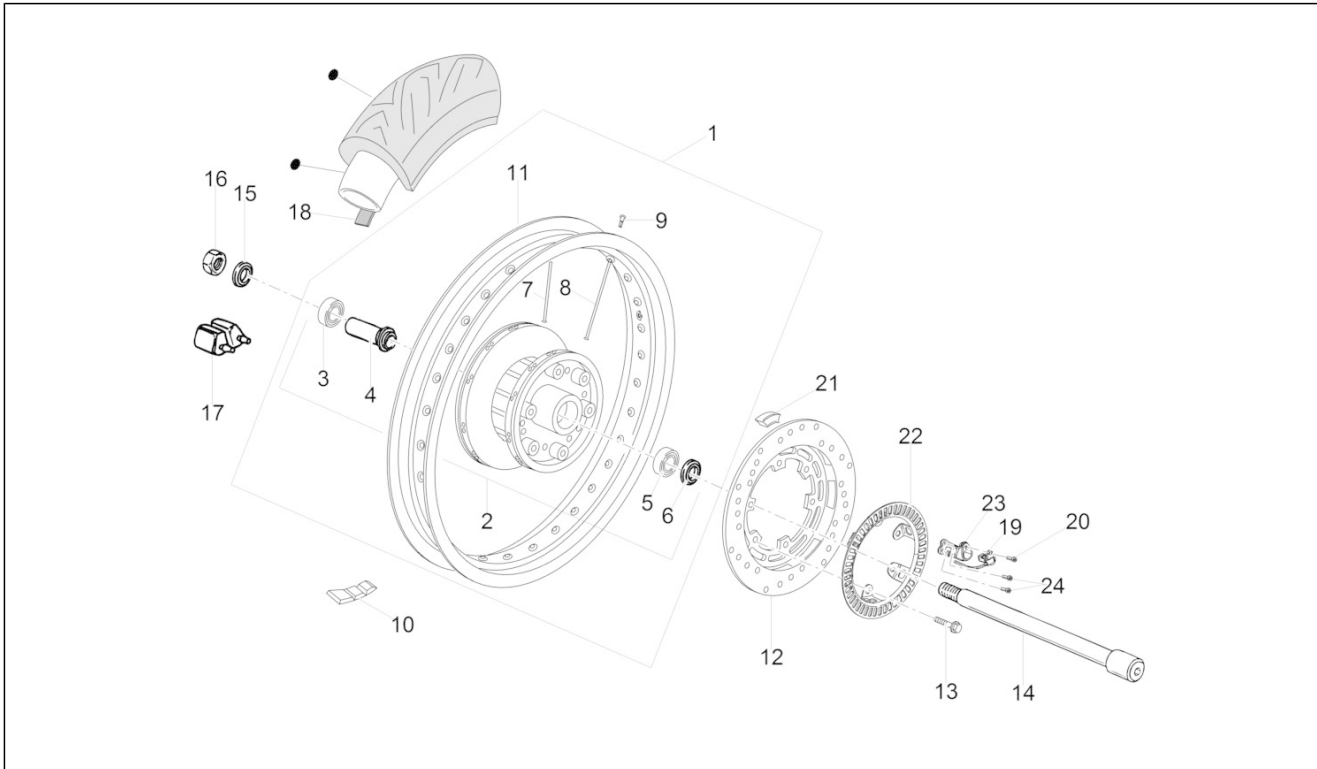
Pos.	Code	Description	Quant	Variants
29	GU91113826	Douille	2	

<b>Groupe</b>	CHASSIS
<b>Code</b>	33.24
<b>Description</b>	Roue Av.
<b>Révision</b>	1



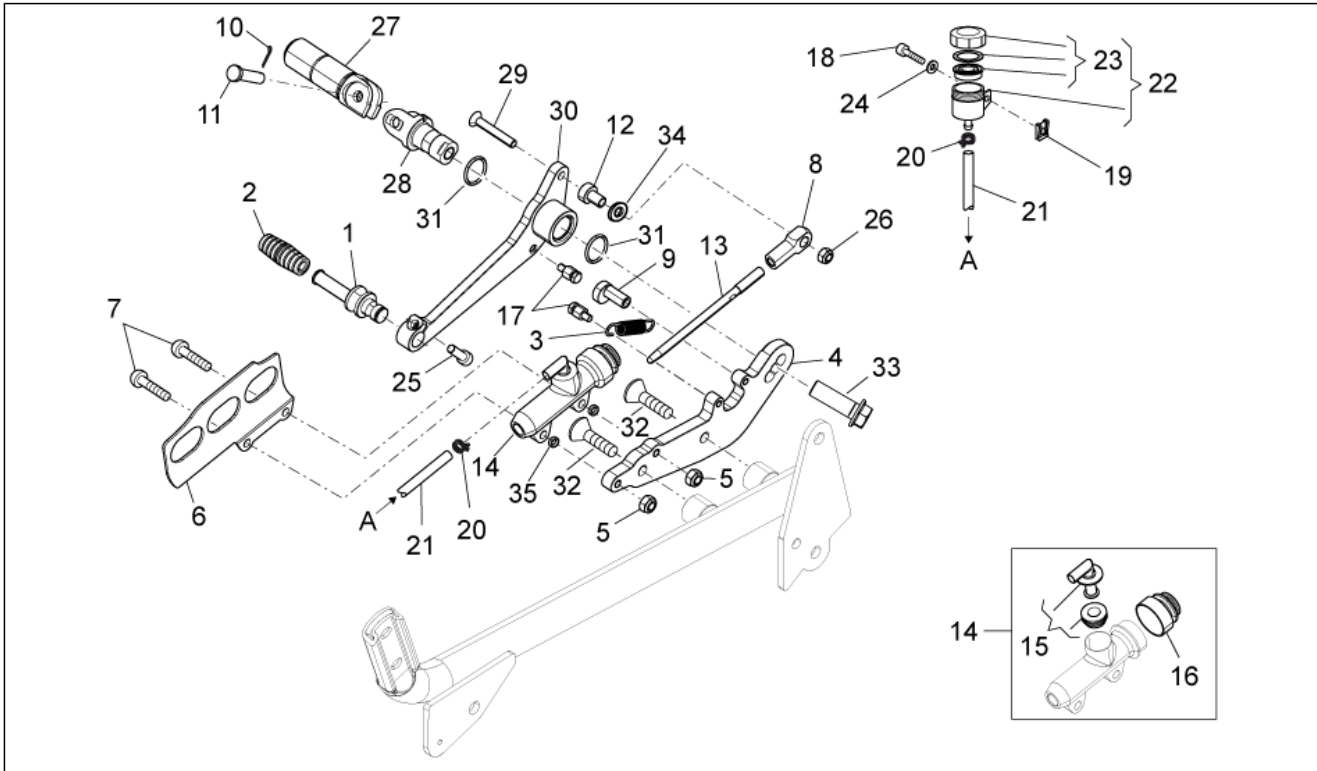
Pos.	Code	Description	Quant	Variants
1	B063265	Roue AV nue	1	
2	886681	Moyeu avant	1	
3	B063144	Rayon roue AV	36	
4	GU03631250	Nipples	36	
5	B063077	Jante AV noire 2.5X18"	1	
6	GU31615260	Entretoise roulements	1	
7	GU92204221	Roulement	2	
8	GU90402642	Bague d'étanchéité	1	
9	GU31614183	Axe de roue AV	1	
10	883688	Disque frein avant 320	1	
11	887762	Vis à bride à tête hex. M8x22	6	
12	GU31616384	Entretoise G	1	
13	GU93180111	Bouchon 15 mm	1	
14	GU32615660	Entretoise D	1	
15	GU14616150	Contrepoids	1	
16	GU03612040	Pare clau	1	
17	AP8150178	Rondelle 6,4x12,5*	1	
18	GU92630207	Ecrou	1	
19	887875	Wheel speed sensor, LH front	1	
20	1D0001275	Captur avant ABS	2	
21	2B001708	Entretoise	1	
22	2B001561	Passe-câble	1	

<b>Groupe</b>	CHASSIS
<b>Code</b>	33.25
<b>Description</b>	Roue arrière
<b>Révision</b>	1



Pos.	Code	Description	Quant	Variants
1	B063267	Roue AR 3,5"x17"	1	
2	886711	Moyeu arrière	1	
3	GU92204218	Roulement	1	
4	GU27633910	Entretoise	1	
5	GU92204217	Roulement	1	
6	GU90402538	Bague d'étanchéité 25x40x7	1	
7	883350	Rayon court	18	
8	883349	Rayon long mm 158	18	
9	GU03631250	Nipples	36	
10	GU14616150	Contrepoids	1	
11	B063078	Jante arrière 3,5"x17" Black	1	
12	887448	Disque frein	1	
13	AP8152286	Vis bride M8x20	6	
14	GU32633360	Axe de roue AR	1	
15	GU31634481	Rondelle	1	
16	GU92606316	Ecrou M16x1,5	1	
17	GU32632510	Joint en caoutchouc	6	
18	GU28612033	Pare clau	1	
19	1D0001275	Capteur avant ABS	2	
20	GU98612216	Vis	1	
21	GU32636160	Coautchouc pour support	1	
22	2B000225	Wheel speed sensor, LH front	1	
23	2B000377	Support Détecteur ABS	1	
24	GU98682312	Vis M6x12	2	

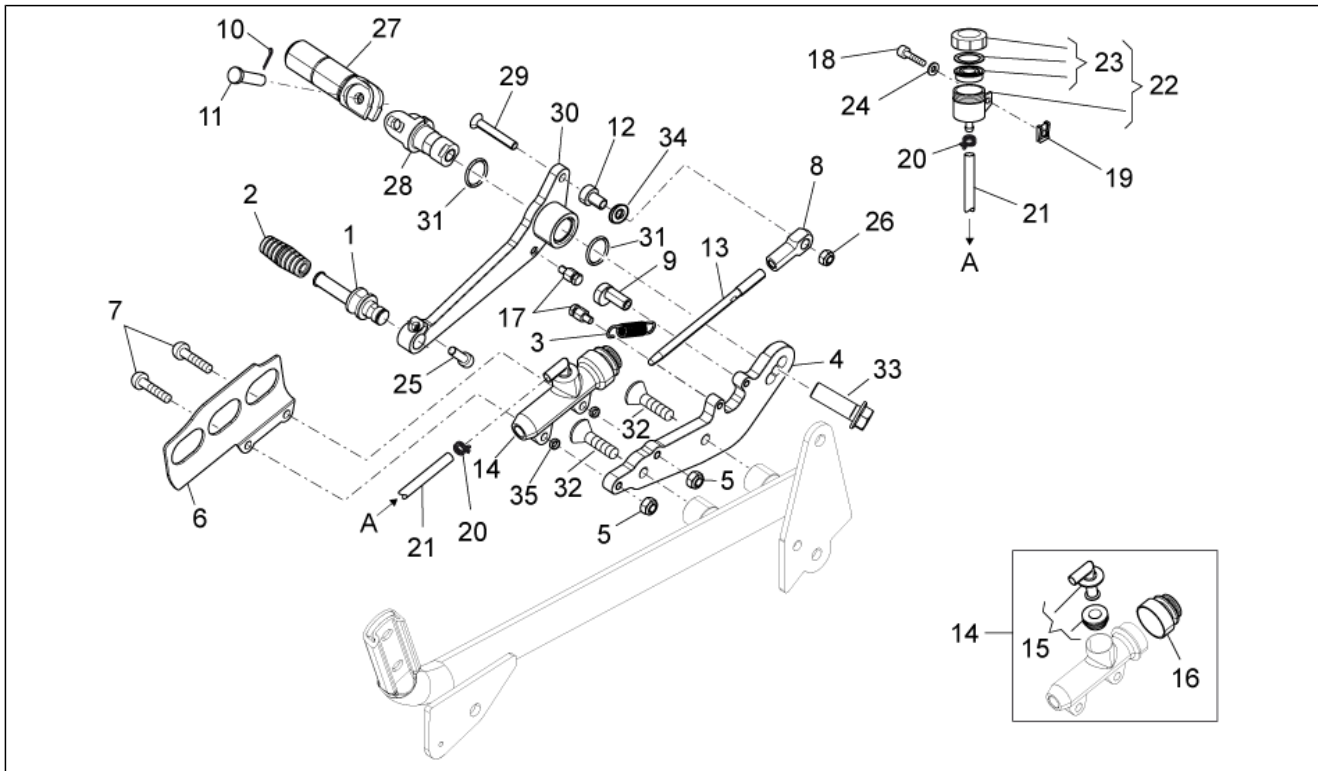
<b>Groupe</b>	CHASSIS
<b>Code</b>	33.26
<b>Description</b>	Maît.cyl. frein AR
<b>Révision</b>	1



Pos.	Code	Description	Quant	Variants
1	886665	Tige	1	
2	AP8120912	Caoutchouc pour levier	1	
3	AP8121927	Ressort man.ferin ar.	1	
4	898288	Plaque de repose-pieds pilote	1	
5	GU92630206	Ecrou M6x1	2	
6	GU01665410	Protection maître cyl.noire	1	
7	GU98370625	Vis	2	
8	GU18257551	Bloc	1	
9	886666	Douille excentrique	1	
10	GU95401215	Goupille	1	
11	GU23442210	Pivot	1	
12	898287	Goujon de levier	1	
13	2B001597	Poussoir cde mai-cyl.	1	
14	2B000508	Maît.cyl. frein AR	1	
15	AP8213057	Raccord pompe arrière	1	
16	AP8113288	Soufflet en caoutchouc	1	
17	898286	Pivot fix. ressort	2	
18	AP8152298	Vis bride M5x16	1	
19	248419	Plaquette elastique m5	1	
20	AP8101594	Collier D10,1*	2	
21	GU00823950050	Tuyau huile	1	
22	AP8133873	Réserv.huile freins	1	
23	AP8113553	Bouchon réservoir	1	
24	GU95100059	Rondelle 5,25x14x1,5	1	
25	AP8150044	Vis M6x20	1	
26	GU92630206	Ecrou M6x1	1	
27	898281	Pedana pilota	1	
28	898612	Sup.pl.pilote dte	1	



<b>Groupe</b>	CHASSIS
<b>Code</b>	33.26
<b>Description</b>	Maît.cyl. frein AR
<b>Révision</b>	1



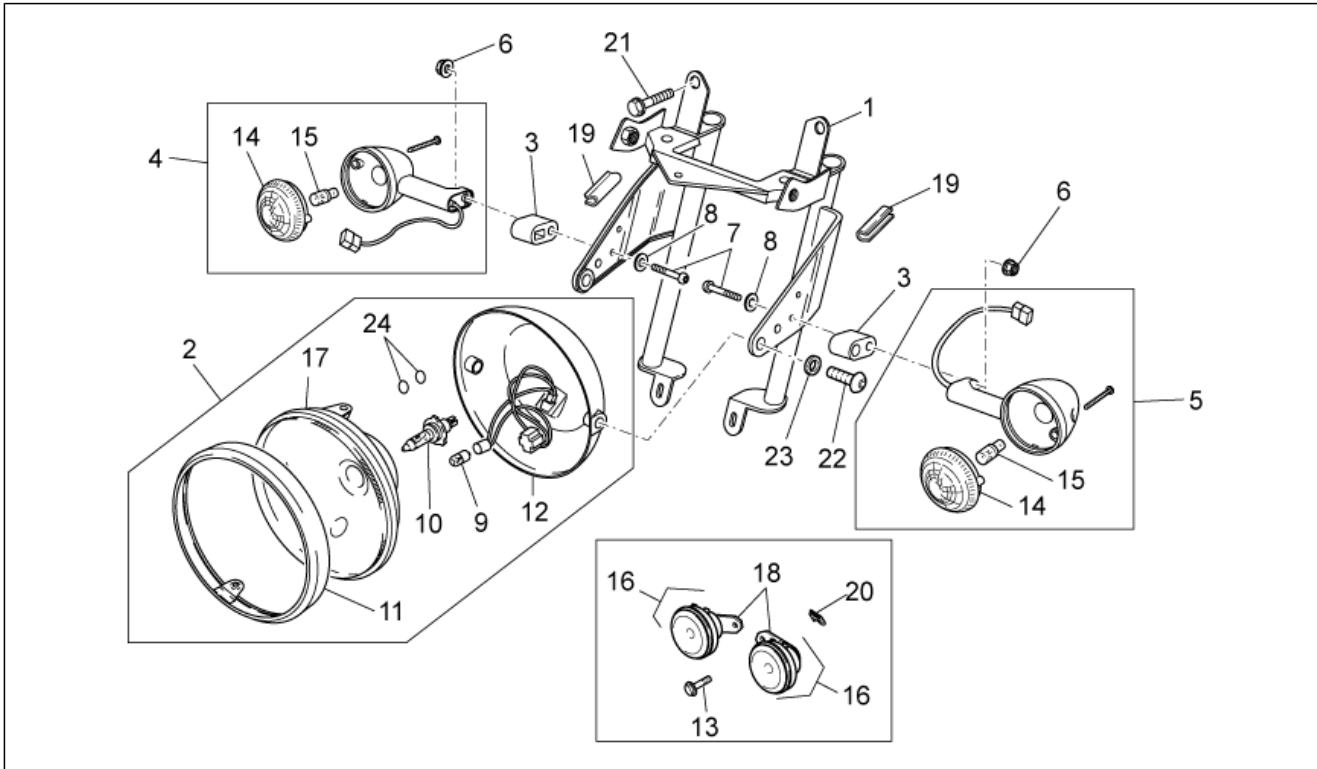
Pos.	Code	Description	Quant	Variants
29	AP8150468	Vis FHC M6x40	1	
30	898285	Levier frein	1	
31	AP9100477	Joint torique 18x2	2	
32	GU98252420	Vis FHC M8x20	2	
33	AP8152320	Vis bride	1	
34	GU03270300	Rondelle 8,4x15	1	
35	AP8134640	Entretoise corps filtre	2	

<b>Groupe</b>	CHASSIS
<b>Code</b>	33.27
<b>Description</b>	Pince frein AR
<b>Révision</b>	1



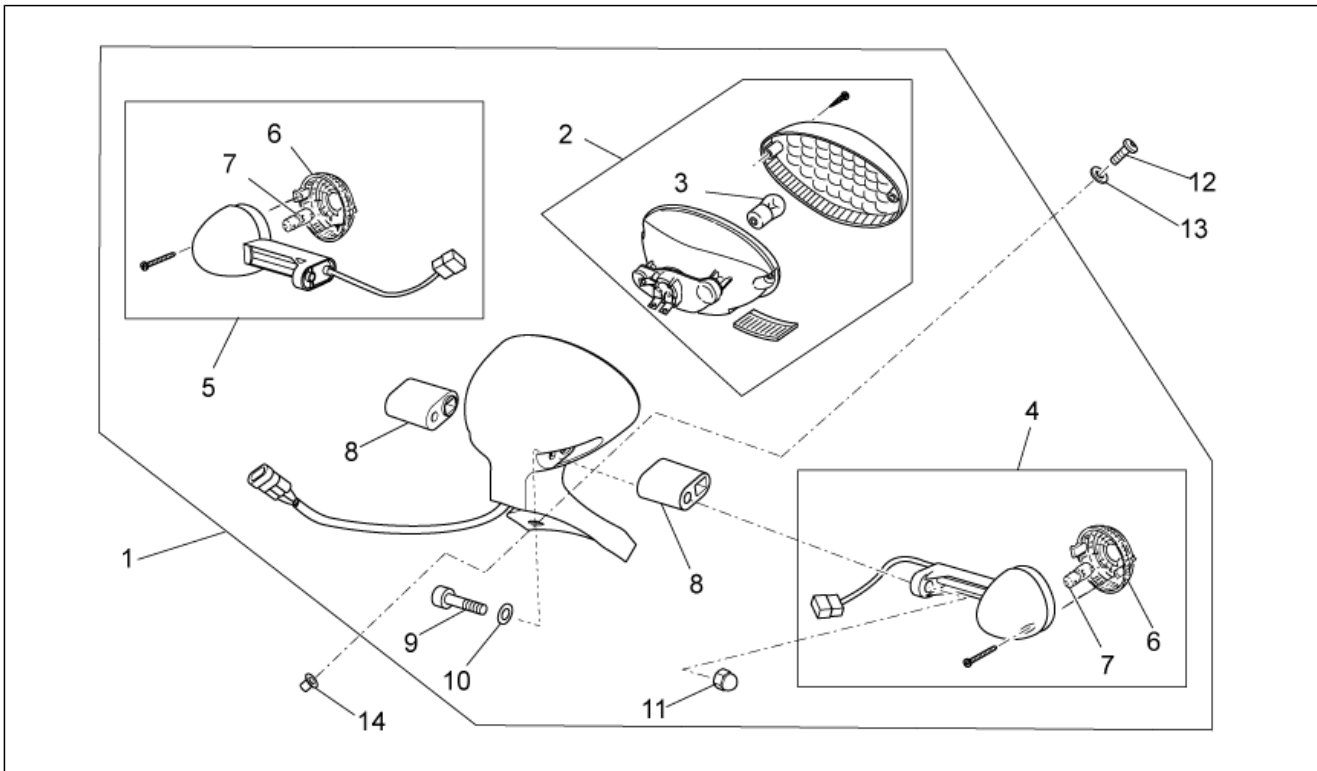
Pos.	Code	Description	Quant	Variants
1	2B000229	Plaque support étrier frein	1	
2	GU31634281	Douille	1	
3	GU31544181	Pivot	1	
4	AP8152288	Vis bride	2	
5	GU32634160	Entretoise	1	
6	2B000525	Pince frein arrière	1	
7	2B001282	Plaquette frein	1	
8	GU31659281	Purge+capuchon	1	
9	GU31659181	Kit Axes+ressort	1	

<b>Groupe</b>	CHASSIS
<b>Code</b>	33.28
<b>Description</b>	Feux avant
<b>Révision</b>	1



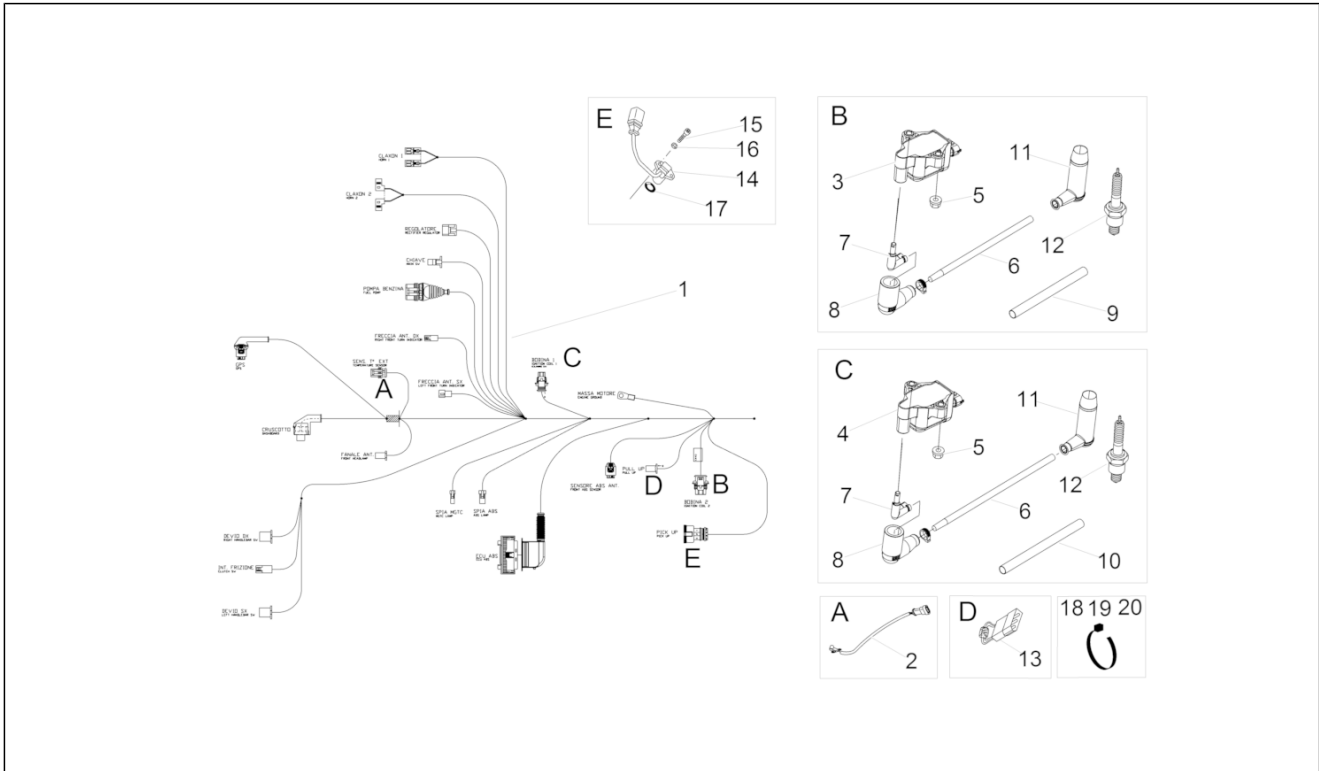
Pos.	Code	Description	Quant	Variants
1	GU32506360	Bride support feu	1	
2	978311	Phare avant	1	
3	GU32753410	Entretoise	2	
4	887826	Clignot.av.dr./arr.ga.	1	
5	887827	Clignot.av.ga./arr.dr.	1	
6	GU92787006	Ecrou borgne M6x1	2	
7	GU98370655	Vis	2	
8	GU95021206	Rondelle	2	
9	292022	Lampe (ou Ampoule) 12V-5W	1	
10	292723	Lampe (ou Ampoule) H4 60/55W 12V	1	
11	640598	Bague chromée	1	
12	981149	Calotte, noir	1	
13	AP8152278	Vis bride M6x16	2	
14	B063735	Vitre clignotant	2	
15	GU93450126	Lampe orange	2	
16	890979	Klaxon	2	
17	GU06740400	Groupe optique	1	
18	GU01744200	Bride	6	
19	GU00823931055	Joint	1	
20	254485	Plaquette elastique M6	2	
21	GU98880540	Vis M10x40	2	
22	GU98692420	Vis M8x20	2	
23	GU95005308	Rondelle 8,4x14,57x1,6	2	
24	883417	Joint torique	2	

<b>Groupe</b>	CHASSIS
<b>Code</b>	33.29
<b>Description</b>	Feux arriere
<b>Révision</b>	1



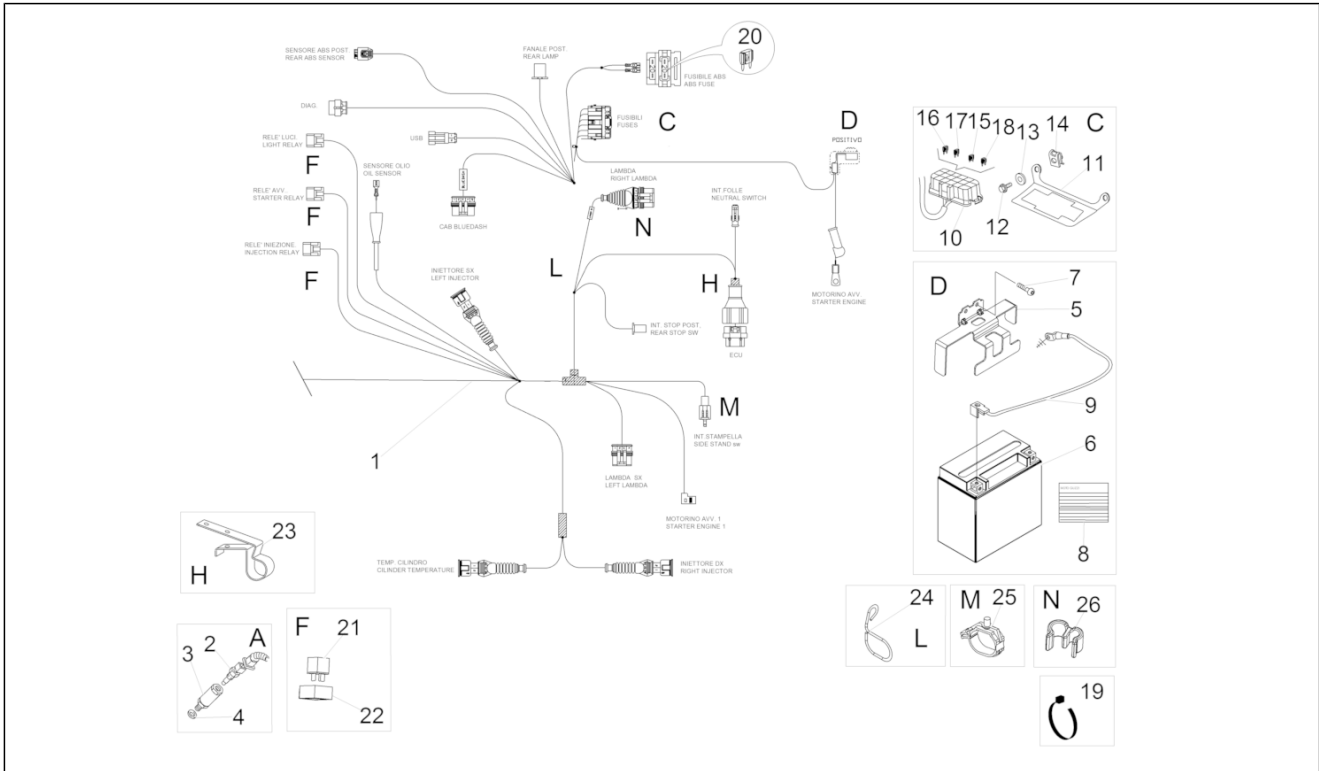
Pos.	Code	Description	Quant	Variants
1	2B001701	Feu arrière	1	
2	GU03740930	Feu arrière	1	
3	GU93450224	Lampe (ou Ampoule)	1	
4	887826	Clignot.av.dr./arr.ga.	1	
5	887827	Clignot.av.ga./arr.dr.	1	
6	B063735	Vitre clignotant	1	
7	584332	Lampe (ou Ampoule) 12V-10W	2	
8	GU32753410	Entretoise	2	
9	GU98370655	Vis	2	
10	GU95021206	Rondelle	2	
11	GU92787006	Ecrou borgne M6x1	2	
12	GU98350215	Vis	3	
13	GU30577800	Rondelle nylon 5,5X12X1	3	
14	GU93231605	Douille anti vibr.	3	

<b>Groupe</b>	CHASSIS
<b>Code</b>	33.30
<b>Description</b>	Circuit électrique I
<b>Révision</b>	1



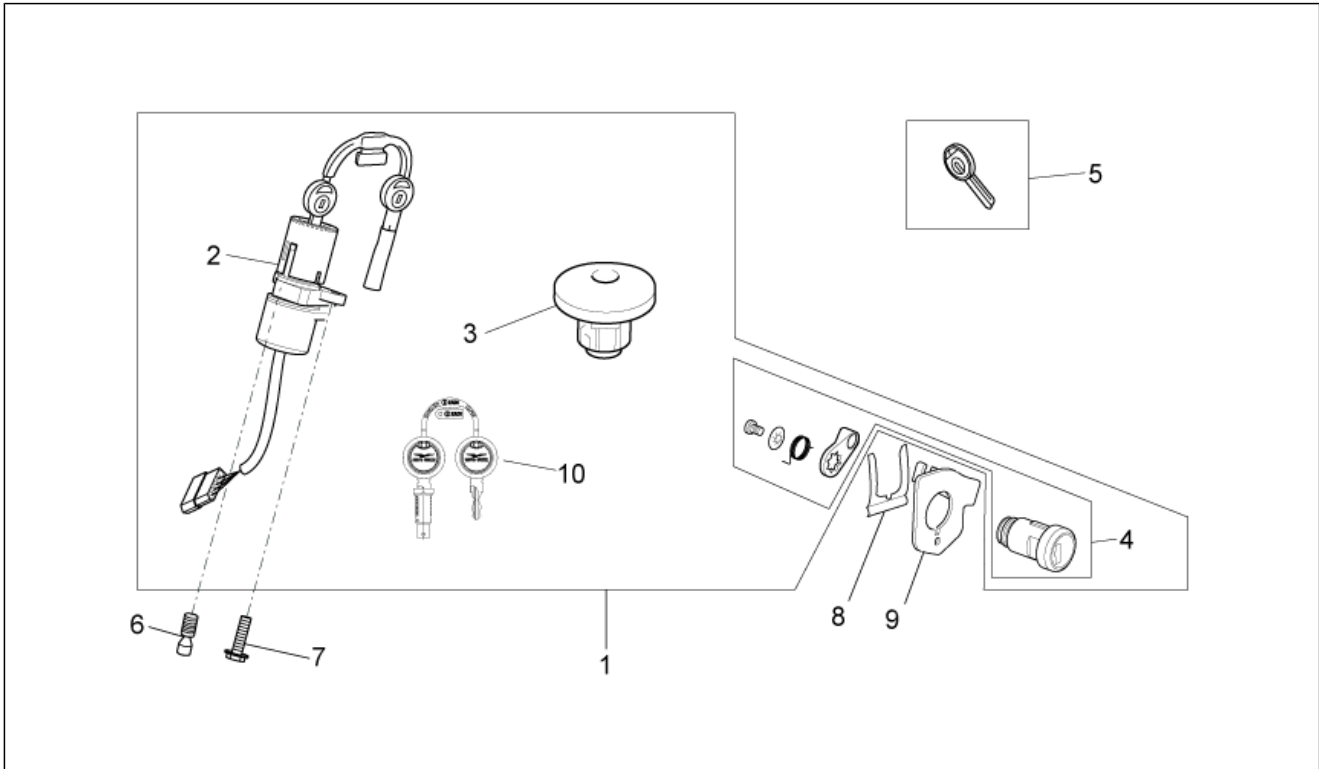
Pos.	Code	Description	Quant	Variants
1	2D000108	Câblage principal	1	
2	AP8124936	Détec. temper. air	1	
3	642034	Bobine HT DX	1	
4	641901	Bobine HT	1	
5	AP8152299	Ecrou autobloqu. M6	4	
6	080341	Câble de base H.T.	2	
7	641725	Borne H.T.	2	
8	641040	Capuchon isolant	2	
9	CM0074D0	Gaine D.8-S.0,5-L.370	1	
10	CM0074C9	Gaine de câble grise D.8-S.0,5-L.435	1	
11	GU02717450	Pipe bougie NGK	2	
12	887481	Bougie NGK CPR8EB-9	2	
13	887948	Diode	1	
14	832029	Capteur codeur	1	
15	GU98682212	Vis M5x12	2	
16	GU95008205	Rondelle 5,3x10x0,8	2	
17	GU90706141	Joint torique	1	
18	AP8120416	Collier, noir 178x4	1	
19	GU49609601	Collier 2,4x92	1	
20	GU14609650	Collier 3,6x20,6	31	

<b>Groupe</b>	CHASSIS
<b>Code</b>	33.31
<b>Description</b>	Circuit électrique II
<b>Révision</b>	1



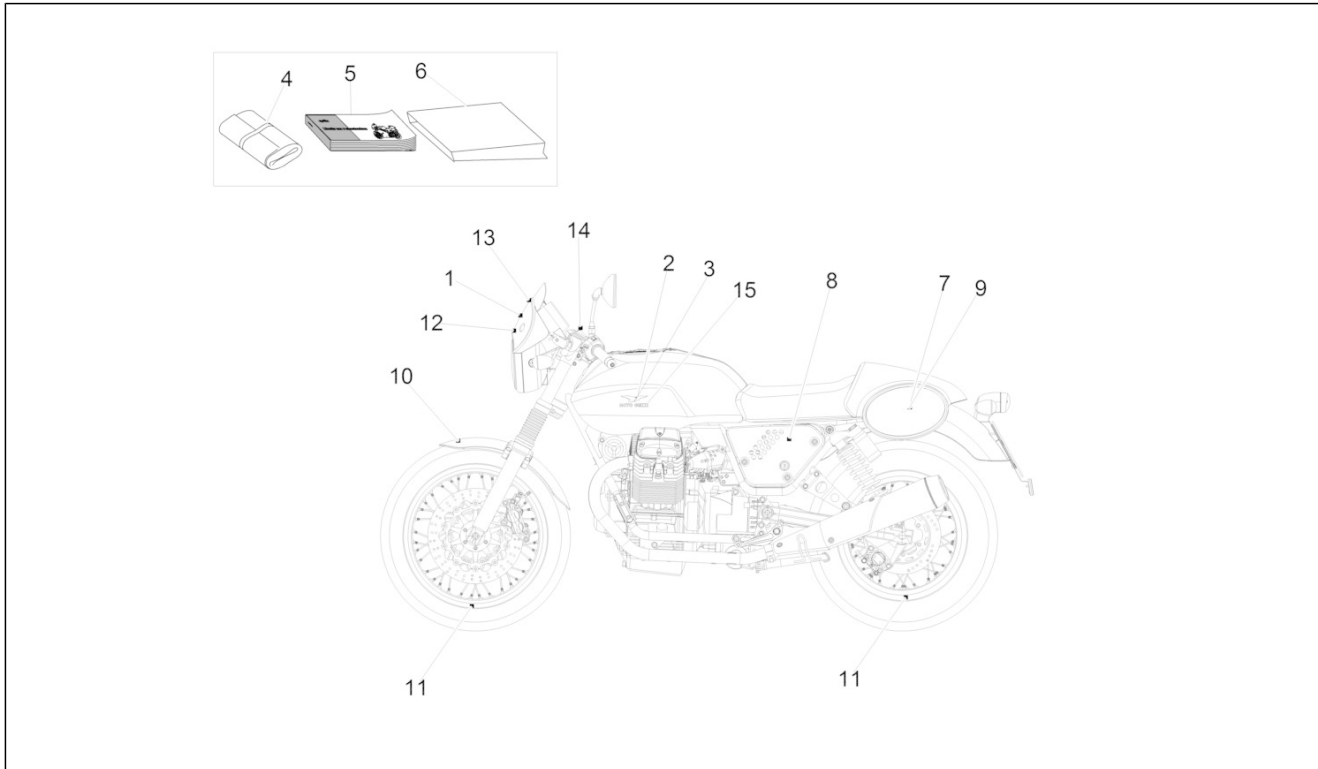
Pos.	Code	Description	Quant	Variants
1	2D000108	Câblage principal	1	
2	GU29729461	Capteur température huile	1	
3	GU03163330	Support détecteur	1	
4	GU95008210	Rondelle 10,2X18X2	4	
5	B063233	Support batterie	1	
6	638733	Batterie Yuasa 12V-12Ah (150x85x145)	1	
7	AP8152282	Vis bride M6x35	2	
8	GU32517710	Décalco "Battery service"	1	
9	GU32747910	Câblage masse-batterie	1	
10	584211	Boîte à fusibles	1	
11	883161	Support p-fusibles	1	
12	GU98682212	Vis M5x12	2	
13	GU95100059	Rondelle 5,25x14x1,5	2	
14	AP8102375	Clip m5	2	
15	CM225705	Fusible 5A	2	
16	CM225710	Fusible 10A	1	
17	CM225715	Fusible 15A	2	
18	CM225730	Fusible 30A	1	
19	AP8120416	Collier, noir 178x4	1	
19	GU14609650	Collier 3,6x20,6	21	
19	GU49609601	Collier 2,4x92	1	
20	CM225720	Fusible 20A	1	
21	AP8224462	Relais 12V/30A	3	
22	AP8220283	Caoutchouc *	3	
23	B043850	Collier	1	
24	AP8181140	Passer-câble	1	
25	CM013202	Clip d'arrêt des tuyaux/câbles	1	
26	894704	Passer-câble	1	

<b>Groupe</b>	CHASSIS
<b>Code</b>	33.32
<b>Description</b>	Kit serrure
<b>Révision</b>	1



Pos.	Code	Description	Quant	Variants
1	887873	Kit serrures	1	
2	GU32782510	Bloc démarreur-bloc	1	
3	887874	Tappo serbatoio senza chiavi	1	
4	977527	Serrure avec clés	1	
5	GU32735510	Clé pas cantée brut-coque go	1	
6	AP8150349	Vis spéciale M8x15	1	
7	GU98682416	Vis M8x16	1	
8	AP8121420	Ressort à fourche	1	
9	978415	Plaque support câble	1	
10	2D000006	Cylindre de serrure avec clé pour bouchon d'essence	1	

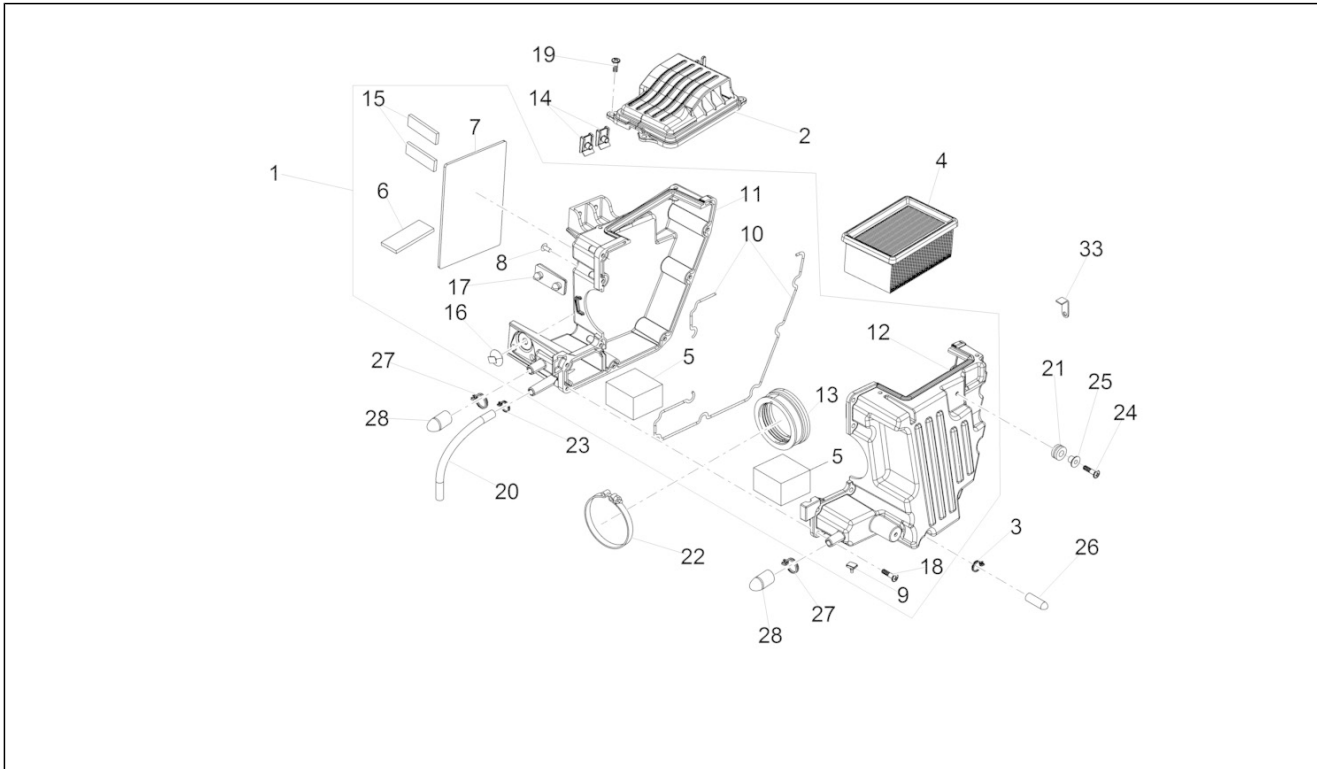
<b>Groupe</b>	CHASSIS
<b>Code</b>	33.33
<b>Description</b>	Décalco et plaquettes
<b>Révision</b>	1



Pos.	Code	Description	Quant	Variants
1	2H000425	Décalque coupole	1	
2	898174	Décalco D. "Aquila"	1	
3	886678	Décalco G. "Aquila"	1	
4	887443	Trousse à outils	1	
5	2Q000056	Manuel instr.I-D-F-E-UK-NL I-F-D-E-NL-ES-EN	1	
6	GU05900130	Sachet pour documents	1	
7	2H000426	Décalco, noir dx-sx	1	
8	2H000726	Décalco V7 II Racer	2	
9	2H000427	Autocollant pour bavette D/G	2	
10	886141	Décalco "Aquila"	1	
11	887971	Décalco "Moto Guzzi"	4	
12	2H000424	Decalco filetto inferiore	1	
13	2H000423	Decalco filetto superiore	1	
14	2H000727	Targhetta piastra manubrio	1	
15	2H000430	Targhetta dx-sx "Moto Guzzi"	2	

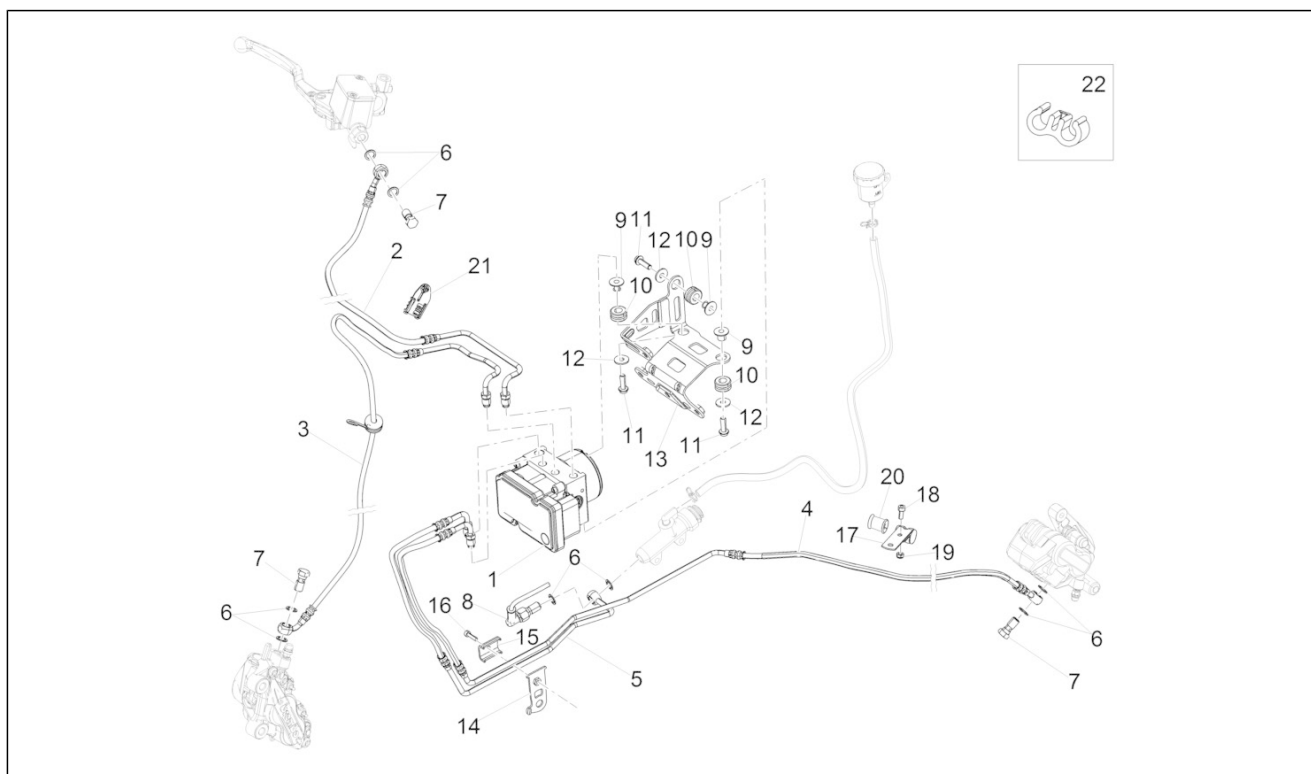


<b>Groupe</b>	CHASSIS
<b>Code</b>	33.52
<b>Description</b>	Corps filtre II
<b>Révision</b>	1



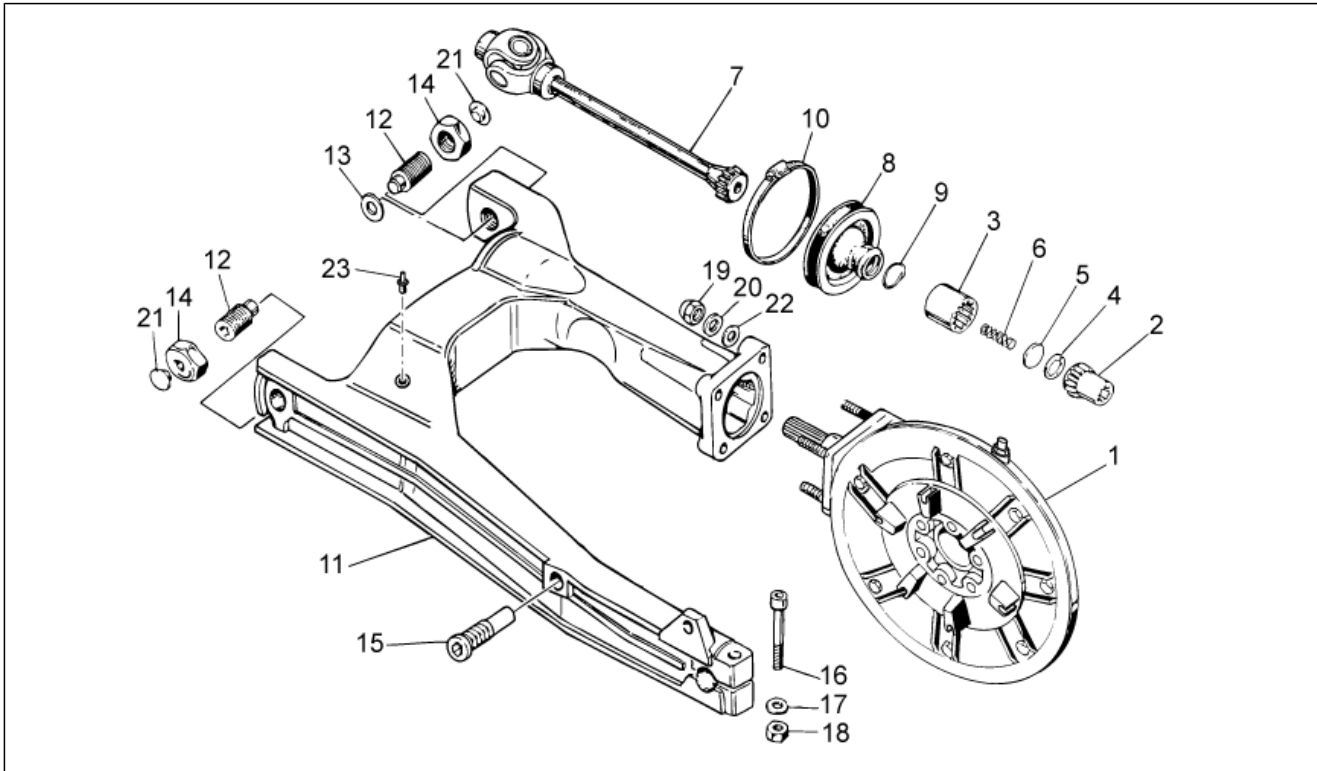
Pos.	Code	Description	Quant	Variants
1	8878421	Boîtier filtre complet	1	
2	887843	Couvercle de filtre	1	
3	AP8201358	Collier D 11,9	1	
4	AP8104924	Filtre air	1	
5	AP8104525	Filtre blow-by	2	
6	883127	Coautchouc pour support 5mm	1	
7	AP8144553	Coautchouc pour support	1	
8	AP8120876	Bouchon de fermeture	2	
9	AP8120455	Caoutchouc	1	
10	AP8120615	Joint D3	2	
11	887844	Coquille D de boîtier de filtre	1	
12	887845	Coquille G de boîtier de filtre	1	
13	887815	Manchon d'aspiration	1	
14	254485	Plaquelette elastique M6	2	
15	AP8144538	Joint	2	
16	890760	Support instruments	1	
17	AP8144729	Tampon fin de course béquille	1	
18	AP8152329	Vis SWP crois. brid. M5x20	9	
19	AP8150509	Vis taraud 5x14	4	
20	AP8120772	Tuyau reniflard radiateur	1	
21	GU91551010	Caoutchouc	2	
22	GU93305061	Collier 61/65,5	1	
23	AP8102766	Collier	3	
24	AP8152329	Vis SWP crois. brid. M5x20	2	
25	AP8221023	Douille en "T"	2	

<b>Groupe</b>	CHASSIS
<b>Code</b>	33.53
<b>Description</b>	Système frein ABS
<b>Révision</b>	1



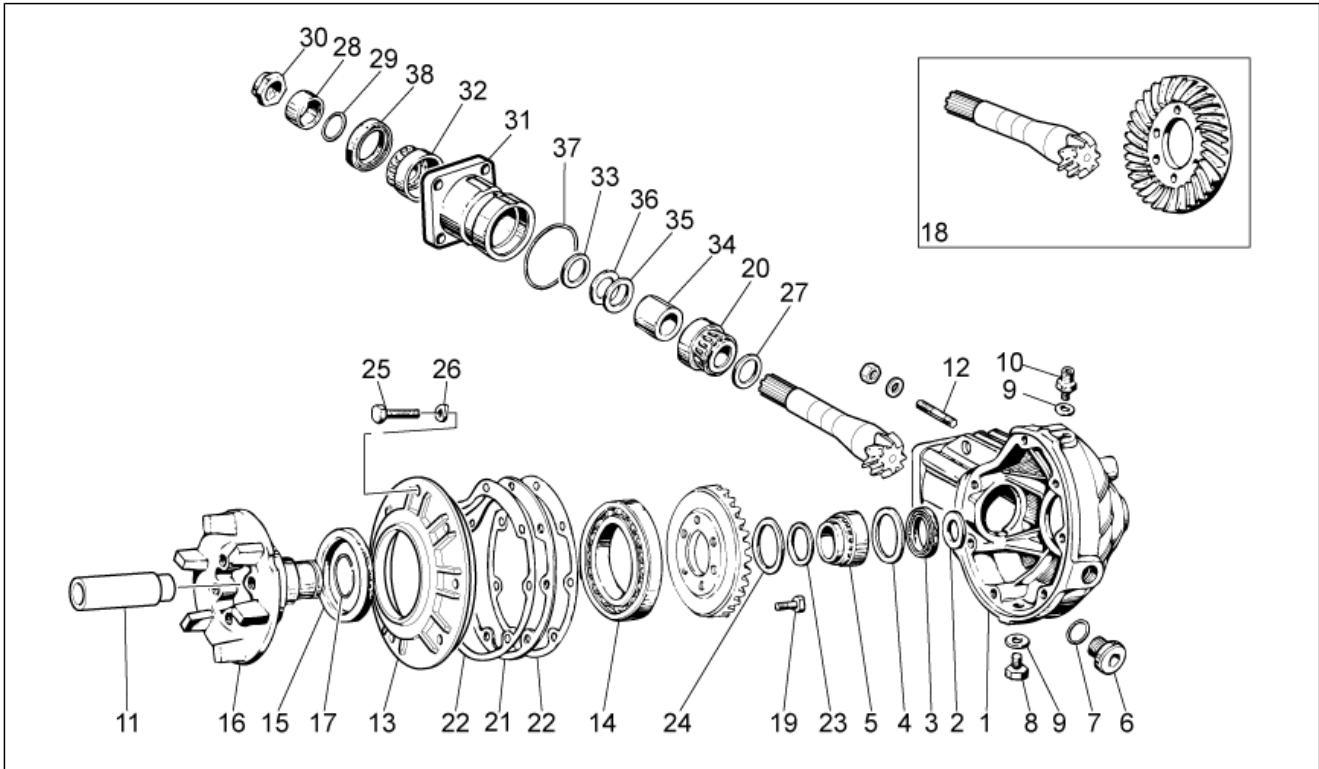
Pos.	Code	Description	Quant	Variants
1	2D000102	Centrale ABS	1	
2	2B001258	Tuyau de frein AV maître-cylindre-Hecu ABS	1	
3	2B001558	Tuyau étriers AV-centrale ABS	1	
4	2B001556	Tuyau étrier AR-centrale ABS	1	
5	2B001620	Tuyau maître-cylindre AR-centrale ABS	1	
6	AP8113004	Rondelle 10x14x1,6*	8	
7	AP8113003	Vis tuyau huile *	4	
8	854973	Contacteur de stop	1	
9	AP8221023	Douille en "T"	3	
10	AP8120030	Caoutchouc	3	
11	AP8152279	Vis bride M6x20	3	
12	AP8150015	Rondelle 6,6x18x1,6*	3	
13	2B001016	Support de centrale ABS	1	
14	2B001564	Plaque support tuyau frein	1	
15	2B001614	Plaque fix. tubes	1	
16	959559	Vis M4x16	1	
17	GU03658330	Collier	1	
18	895709	Vis M5x12	1	
19	AP8150451	Ecrou autofr. bas	1	
20	GU03658201	Bague	1	
21	2B001570	Plaque support tuyau frein	1	
22	2B000276	Collier	2	

<b>Groupe</b>	MOTEUR
<b>Code</b>	34.09
<b>Description</b>	Transmission cpl. I
<b>Révision</b>	1



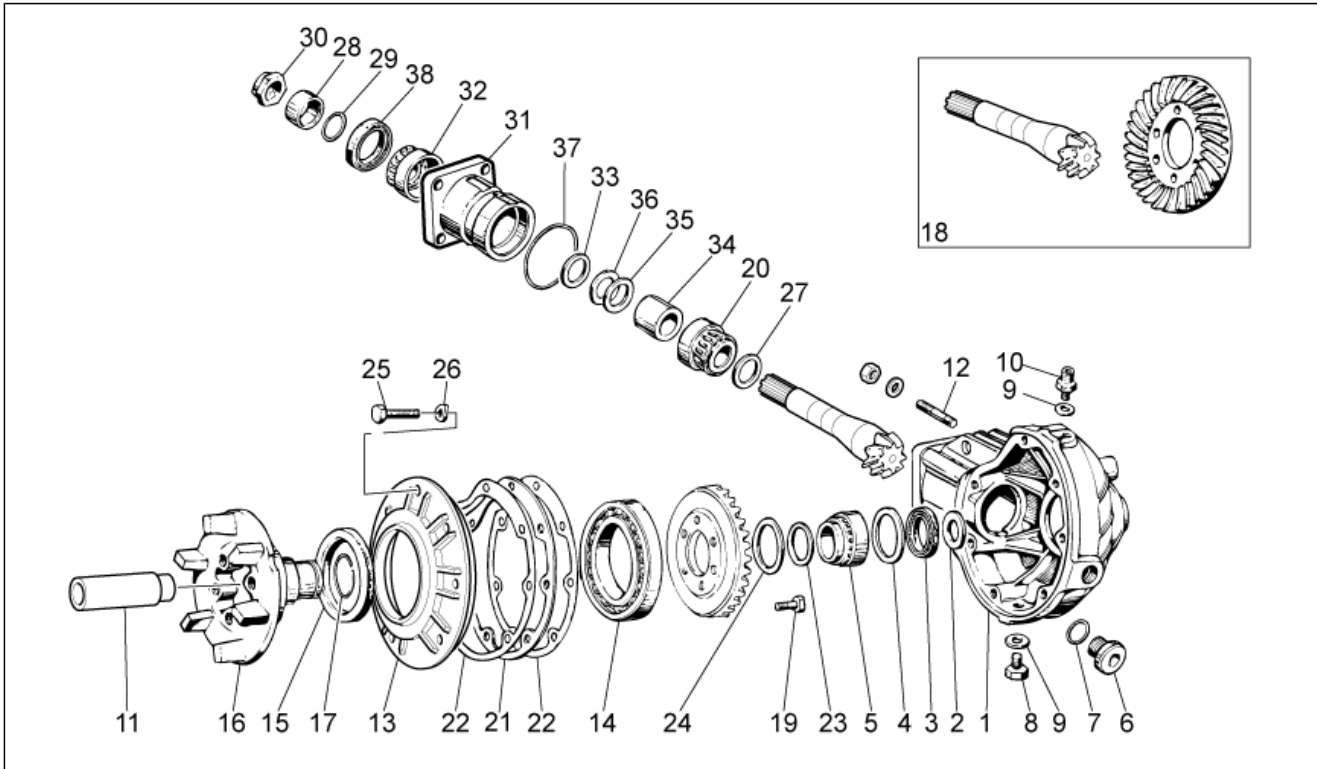
Pos.	Code	Description	Quant	Variants
1	976941	Boîte transm.cpl.noir	1	
2	GU31327783	Manchon	1	
3	GU19328801	Manchon	1	
4	GU90272023	Bague seeger	1	
5	GU19327601	Disque	1	
6	GU94321099	Ressort	1	
7	GU23328081	Joint	1	
8	GU23548080	Collier de protection	1	
9	GU23548180	Ressort	1	
10	AP8120246	Collier D=60-80	1	
11	2B001960	Fourche ar., rouge	1	
12	GU19547000	Pivot	2	
13	GU35214300	Cale	1	
14	GU31547882	Ecrou	2	
15	GU31544181	Pivot	1	
16	GU98680545	Vis M10x45	1	
17	GU95008210	Rondelle 10,2X18X2	1	
18	GU92606210	Ecrou M10x1,5	1	
19	860651	Ecrou borgne M8x1,25	4	
20	GU14615901	Rondelle 8,4X13X0,8	4	
21	GU93180105	Bouchon	2	
22	GU95005308	Rondelle 8,4x14,57x1,6	4	
23	GU03922280	Bouchon 5x9	1	

<b>Groupe</b>	MOTEUR
<b>Code</b>	34.10
<b>Description</b>	Transmission cpl. II
<b>Révision</b>	1



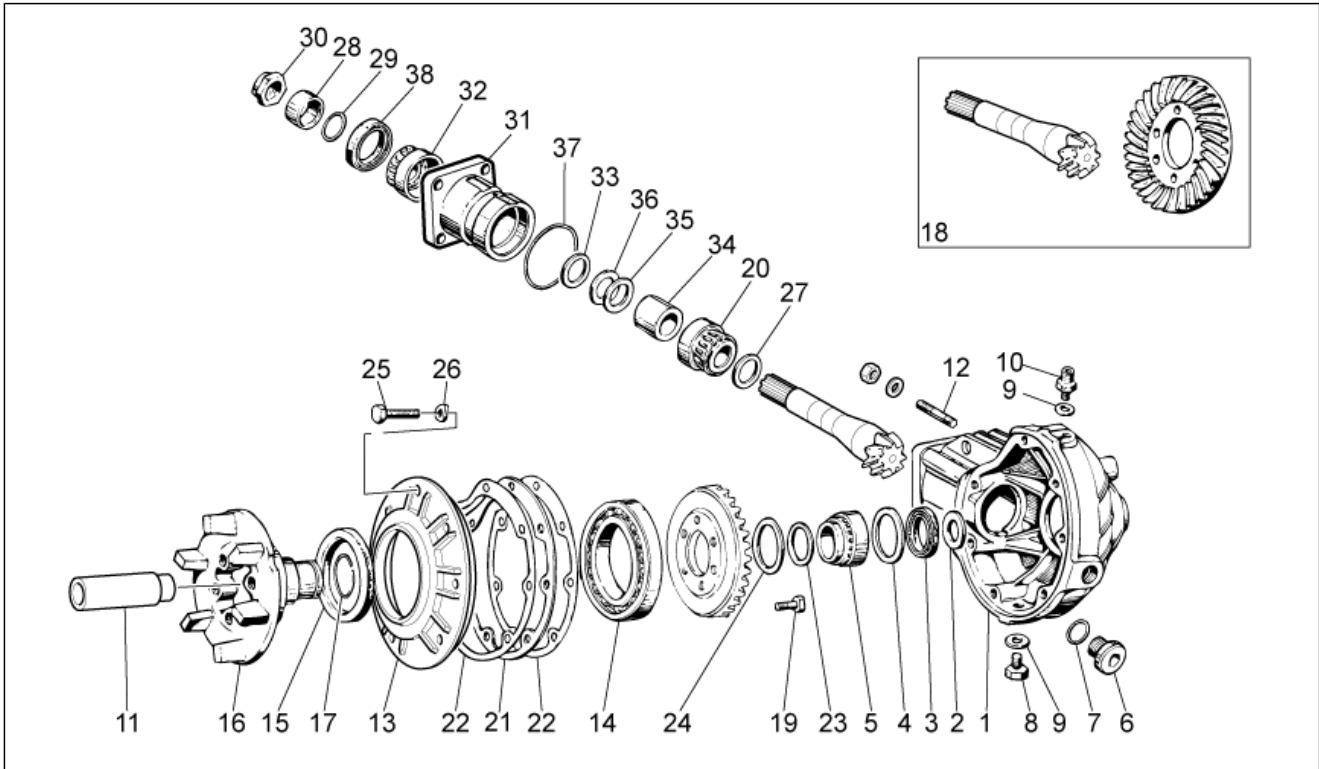
Pos.	Code	Description	Quant	Variants
1	976608	Carter de transmissionnoir	1	
2	GU19351900	Rondelle d'appui	1	
3	GU90403549	Bague d'étanchéité 35x47x7	1	
4	GU19351100	Rondelle d'appui	1	
5	GU92252235	Roulement à rouleaux 35x50x17	1	
6	GU12022600	Bouchon huile	1	
7	GU90706203	Joint torique 20,24X2,62	1	
8	GU31003766	Bouchon vid.huile M10x1	1	
9	GU01528930	Joint 10x18x1,5	2	
10	GU19206501	Bouchon purge	1	
11	GU32633560	Entretoise	1	
12	GU96508055	Vis sans tête	4	
13	GU32350410	Couvercle	1	
14	GU92201070	Roulement à billes 70x110x13	1	
15	GU90407591	Bague d'étanchéité 75x95x10	1	
16	GU32351410	Pivot	1	
17	GU90353030	Bague de butée	1	
18	GU32354610	Couple conique 8/33	1	
19	GU03067730	Vis M8x25	6	
20	GU92249227	Roulement roul.con. 25x5	1	
21	GU19355400	Cale 0,8 mm	1	
21	GU19355402	Cale 0,9 mm	1	
21	GU19355404	Cale 1 mm	1	
21	GU19355406	Cale 1,1 mm	1	
21	GU19355408	Cale 1,2 mm	1	
21	GU19355410	Cale 1,3 mm	1	
21	GU19355411	Cale 1,4 mm	1	
21	GU19355412	Cale 1,5 mm	1	

<b>Groupe</b>	MOTEUR
<b>Code</b>	34.10
<b>Description</b>	Transmission cpl. II
<b>Révision</b>	1



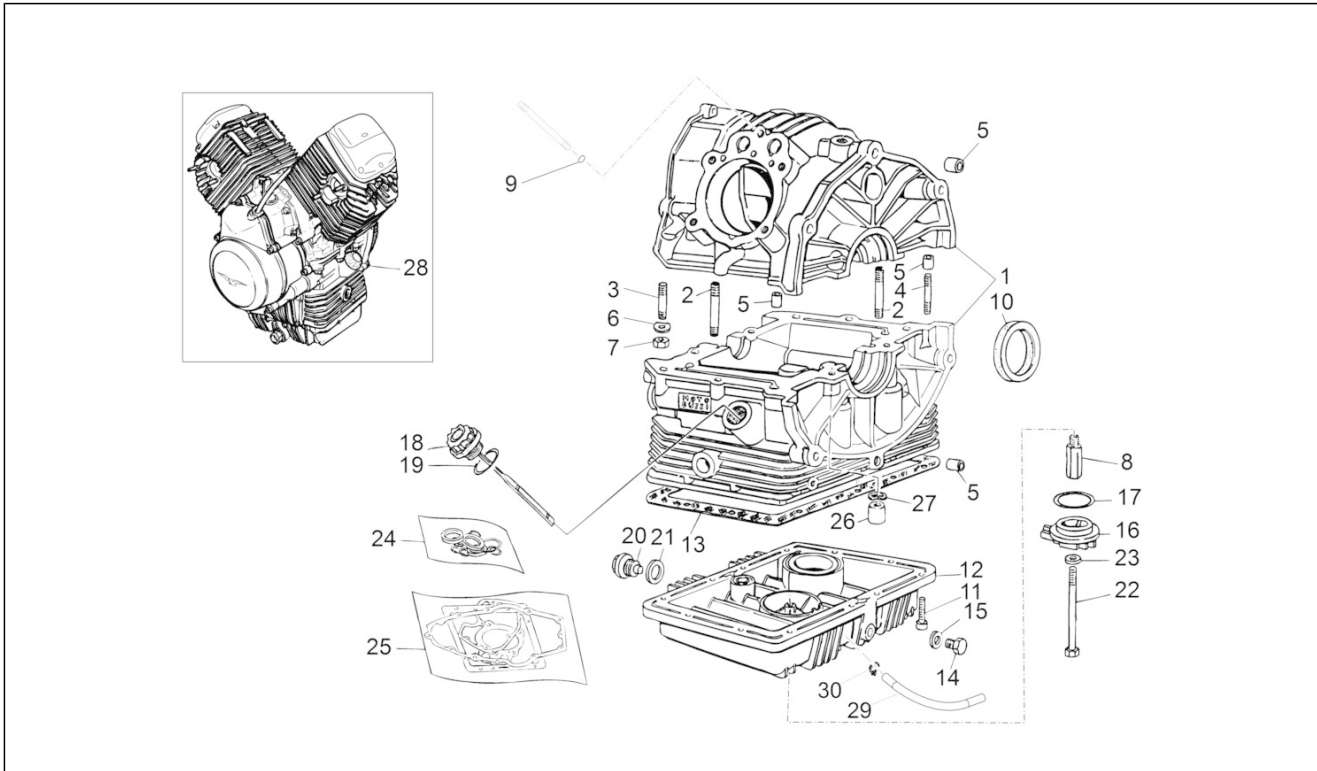
Pos.	Code	Description	Quant	Variants
21	GU19355413	Cale 1,6 mm	1	
22	GU19350700	Joint	2	
23	GU19352300	Rondelle éventail	1	
24	GU19353500	Rondelle éventail	1	
25	GU19357660	Vis	7	
26	GU61270300	Rondelle élastique 8x15x0,3	7	
27	GU19355320	Cale 1 mm	1	
27	GU19355321	Cale 1,1 mm	1	
27	GU19355322	Cale 1,2 mm	1	
27	GU19355323	Cale 1,3 mm	1	
27	GU19355324	Cale 1,4 mm	1	
27	GU19355325	Cale 1,5 mm	1	
27	GU19355326	Cale 1,6 mm	1	
27	GU19355327	Cale 1,7 mm	1	
27	GU19355328	Cale 1,8 mm	1	
27	GU19355329	Cale 1,9 mm	1	
28	GU19356801	Entretoise	1	
29	GU90706188	Bague d'étanchéité 18,77X1,78	1	
30	GU19356700	Ecrou	1	
31	GU20352421	Flasque	1	
32	GU92249220	Roulement à rouleaux 20x47x14	1	
33	GU19355300	Cale 1 mm	1	
33	GU19355301	Cale 1,1 mm	1	
33	GU19355302	Cale 1,2 mm	1	
33	GU19355303	Cale 1,3 mm	1	
33	GU19355304	Cale 1,4 mm	1	
33	GU19355305	Cale 1,5 mm	1	
33	GU19355306	Cale 1,6 mm	1	

<b>Groupe</b>	MOTEUR
<b>Code</b>	34.10
<b>Description</b>	Transmission cpl. II
<b>Révision</b>	1



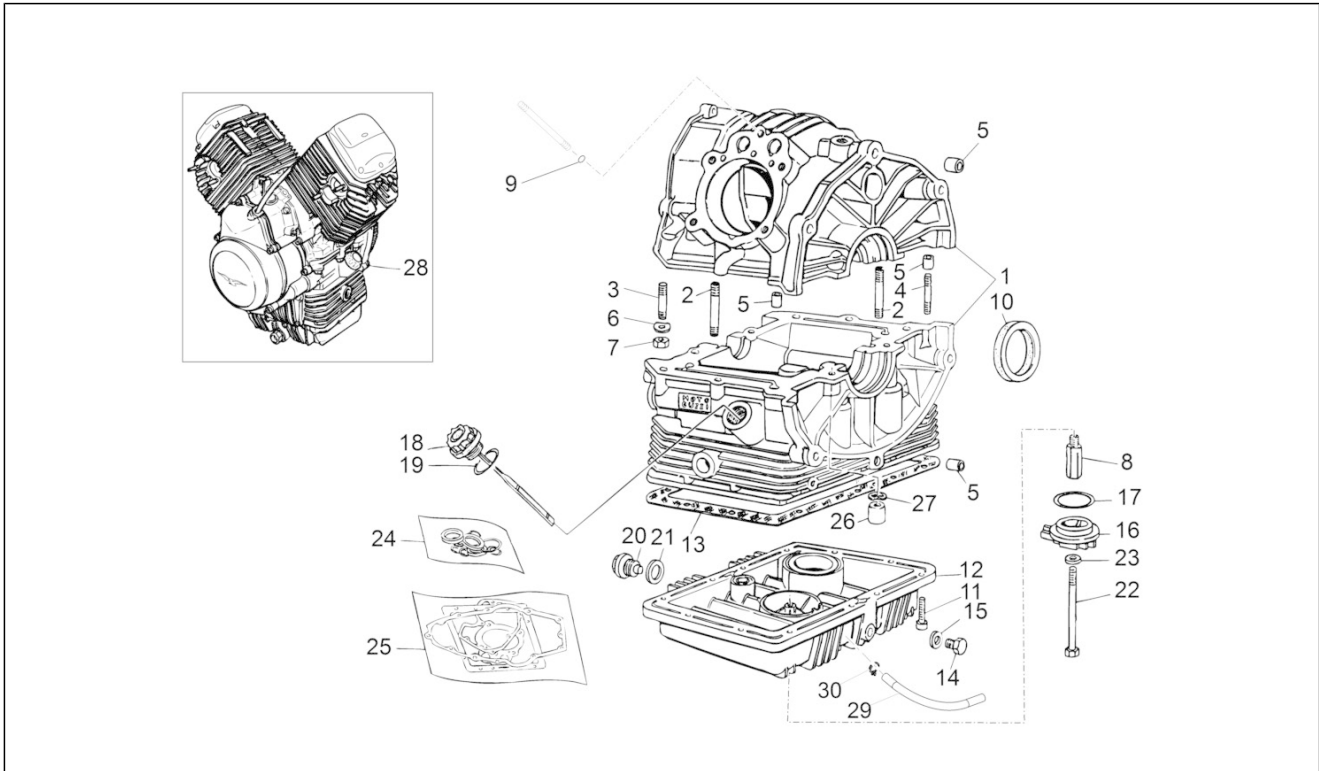
Pos.	Code	Description	Quant	Variants
33	GU19355307	Cale 1,7 mm	1	
33	GU19355308	Cale 1,8 mm	1	
33	GU19355309	Cale 1,9 mm	1	
34	GU20355121	Entretoise	1	
35	GU19355200	Rondelle ajustem. 0,1 mm	1	
36	GU19355202	Rondelle ajustem. 0,15 mm	1	
37	GU90706584	Joint 58,42x2,62	1	
38	GU90403251	Bague d'étanchéité 32x47x10	1	

<b>Groupe</b>	MOTEUR
<b>Code</b>	34.34
<b>Description</b>	Carter
<b>Révision</b>	1



Pos.	Code	Description	Quant	Variants
1	2A0002355	Carter	1	
2	GU96451560	Vis sans tête	4	
3	GU96451430	Vis sans tête	4	
4	GU96508055	Vis sans tête	2	
5	GU19015020	Douille	4	
6	GU61270300	Rondelle élastique 8x15x0,3	6	
7	GU92606208	Ecrou M8x1,25	6	
8	GU19003800	Raccord	1	
9	GU90706076	Joint torique	2	
10	886365	Bague d'étanchéité	1	
11	GU98682325	Vis M6x25	12	
12	976604	Carter huile noir	1	
13	887004	Joint carter huile	1	
14	GU31003766	Bouchon vid.huile M10x1	1	
15	GU10528900	Garniture	1	
16	976685	Petit couvercle	1	
17	GU90706444	Joint torique	1	
18	883826	Bouchon rempl. huile	1	
19	GU90706281	Joint torique 28,24x2,62	1	
20	GU12003702	Bouchon vid.huile	1	
21	GU95100709	Joint 20,1x28x2	1	
22	GU27152885	Boulon	1	
23	GU12154200	Joint 8,25x15x1	1	
24	GU32999510	Joint spy-série	1	
25	GU32999010	Joints-jeu	1	
26	GU13021900	Ecrou colonne	4	
27	GU95129180	Rondelle 10,5X18X0,8	4	
28	2L000240	Moteur comp.sansbo.vitesses	1	

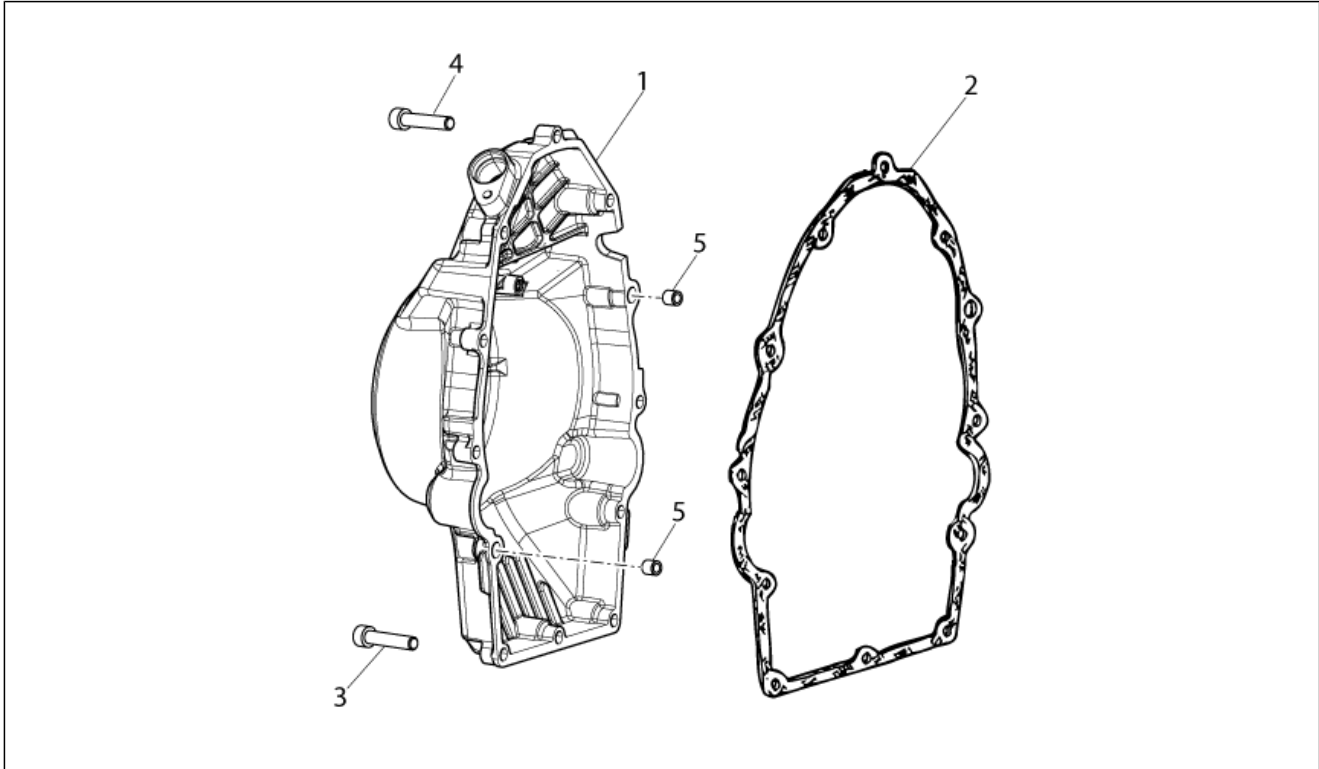
<b>Groupe</b>	MOTEUR
<b>Code</b>	34.34
<b>Description</b>	Carter
<b>Révision</b>	1



Pos.	Code	Description	Quant	Variants
29	AP8120772	Tuyau reniflard radiateur	0,22	
30	AP8102520	Collier serr. Tube	2	

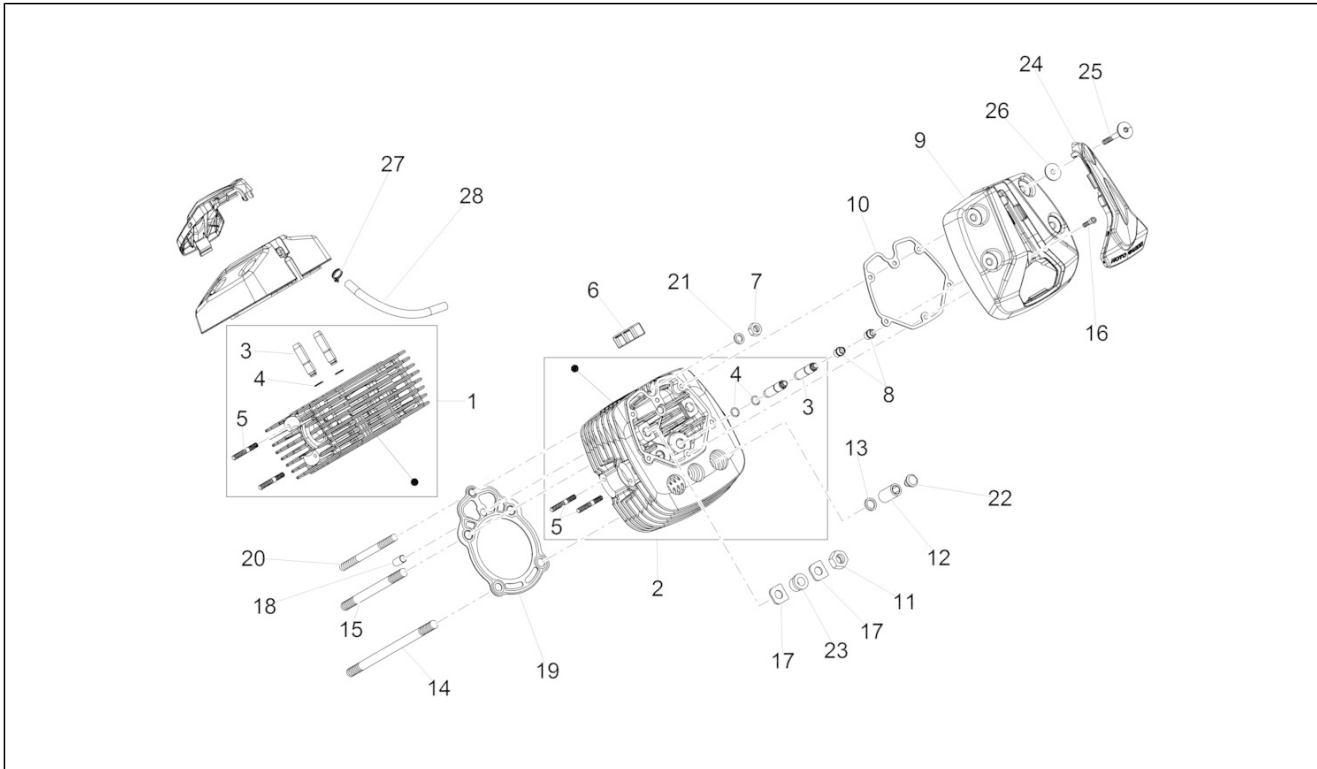


<b>Groupe</b>	MOTEUR
<b>Code</b>	34.35
<b>Description</b>	Couvercle distribution
<b>Révision</b>	1



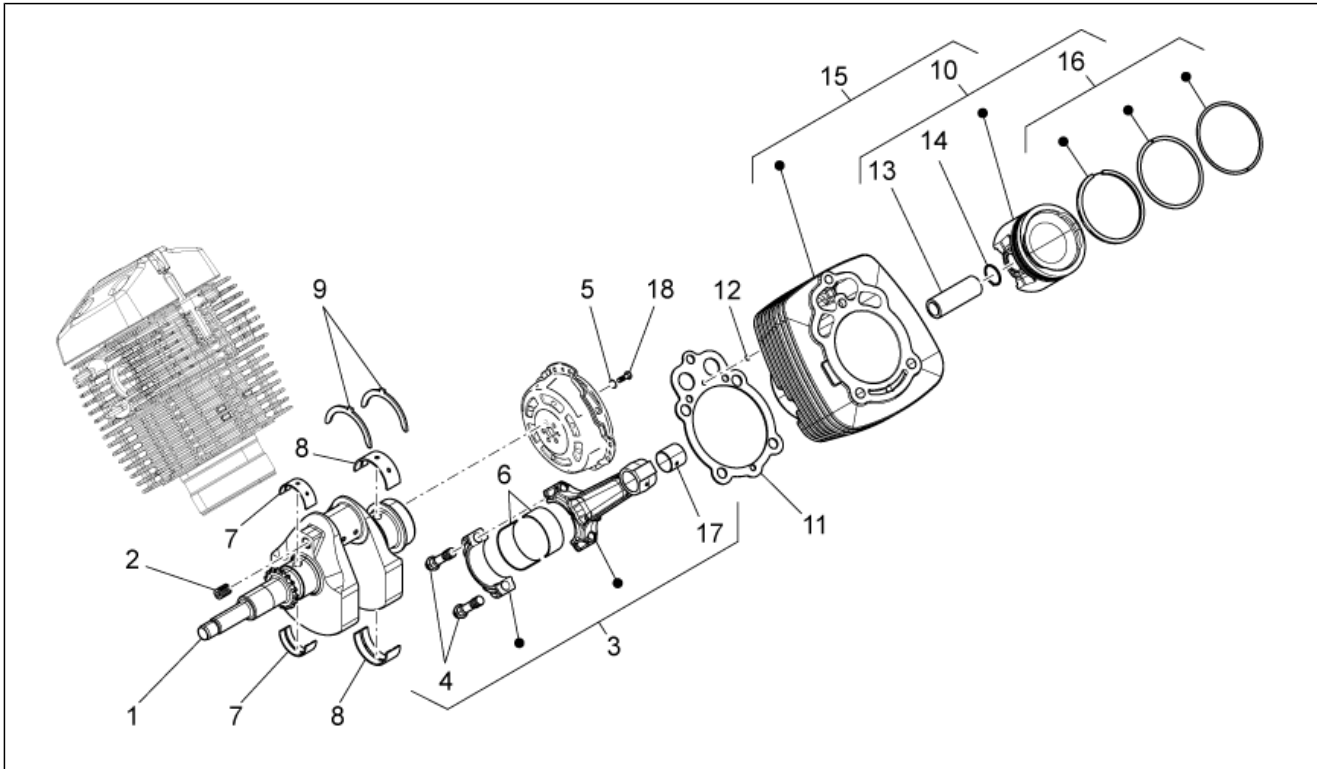
Pos.	Code	Description	Quant	Variants
1	2A000085	Couvercle	1	
2	887003	Joint couvercle	1	
3	GU98682325	Vis M6x25	10	
4	GU98682330	Vis M6x20	2	
5	GU19002020	Douille 6,6x9x13	2	

<b>Groupe</b>	MOTEUR
<b>Code</b>	34.36
<b>Description</b>	Tête cylindre
<b>Révision</b>	1



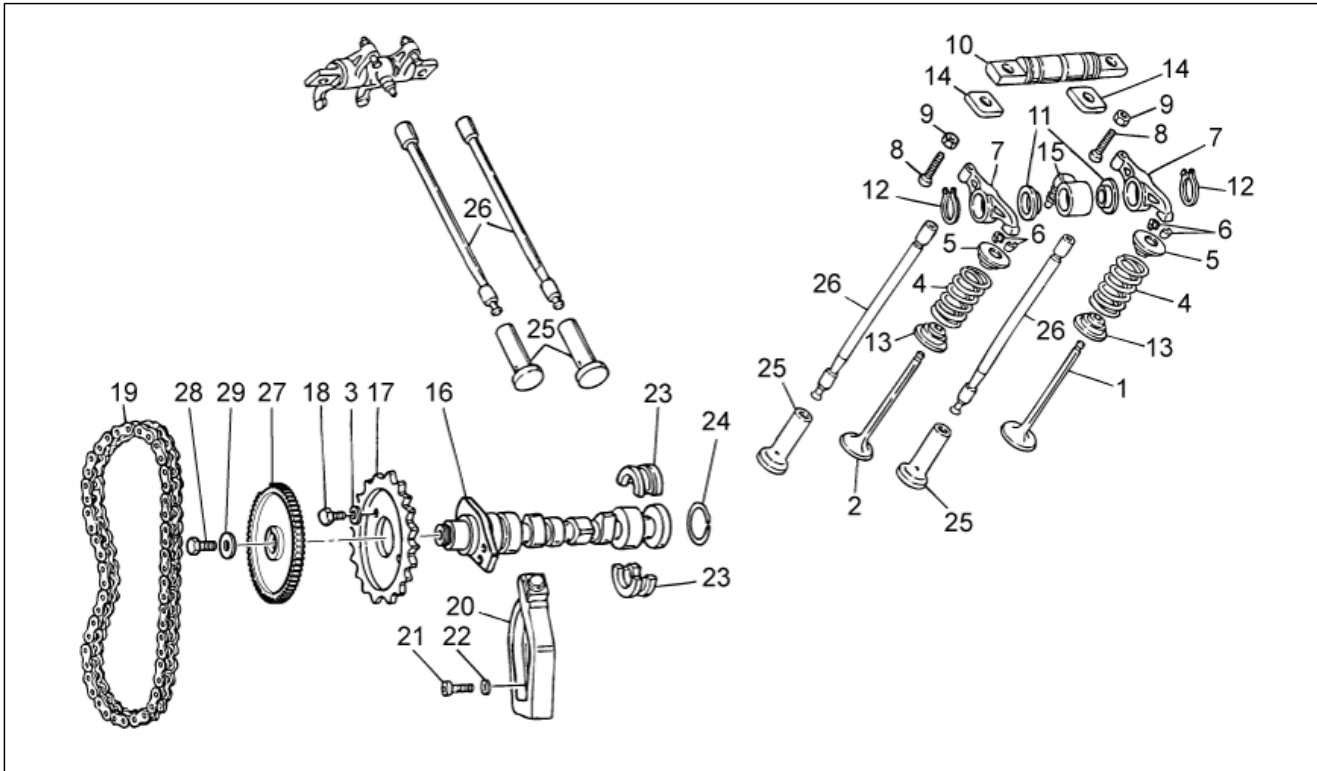
Pos.	Code	Description	Quant	Variants
1	8872724	Culasse d.	1	
2	8872754	Culasse g.	1	
3	GU61036801	Guide soupape	4	
4	GU90353009	Anneau élastique	4	
5	GU96506042	Vis sans tête	4	
6	B063111	Tasseau antivibration	4	
7	GU19021920	Ecrou	2	
8	GU19037820	Joint spi	4	
9	887523	Couvre-culasse	2	
10	887002	Joint couvercle-culasse	2	
11	GU92603010	Ecrou M10X1,5	4	
12	GU13021900	Ecrou colonne	4	
13	GU95129180	Rondelle 10,5X18X0,8	4	
14	GU96510214	Vis sans tête M10x214	4	
15	GU96510181	Vis sans tête M10x182	4	
16	GU98692325	Vis M6x25	4	
17	GU19032980	Cale	8	
18	GU19021360	Douille	2	
19	B063099	Joint tête-cylindre	2	
20	976898	Vis sans tête M8x140	2	
21	GU61270300	Rondelle élastique 8x15x0,3	2	
22	GU93180245	Bouchon	4	
23	AP8144071	Caoutchouc pot	1	
24	887279	Couvercle bougie	2	
25	887483	Vis de couvre-culasse M6x52,5	8	
26	969973	Rondelle	8	
27	AP8201358	Collier D 11,9	1	
28	2B001204	Tuyau blow-by	1	

<b>Groupe</b>	MOTEUR
<b>Code</b>	34.37
<b>Description</b>	Arbre moteur cpl.
<b>Révision</b>	1



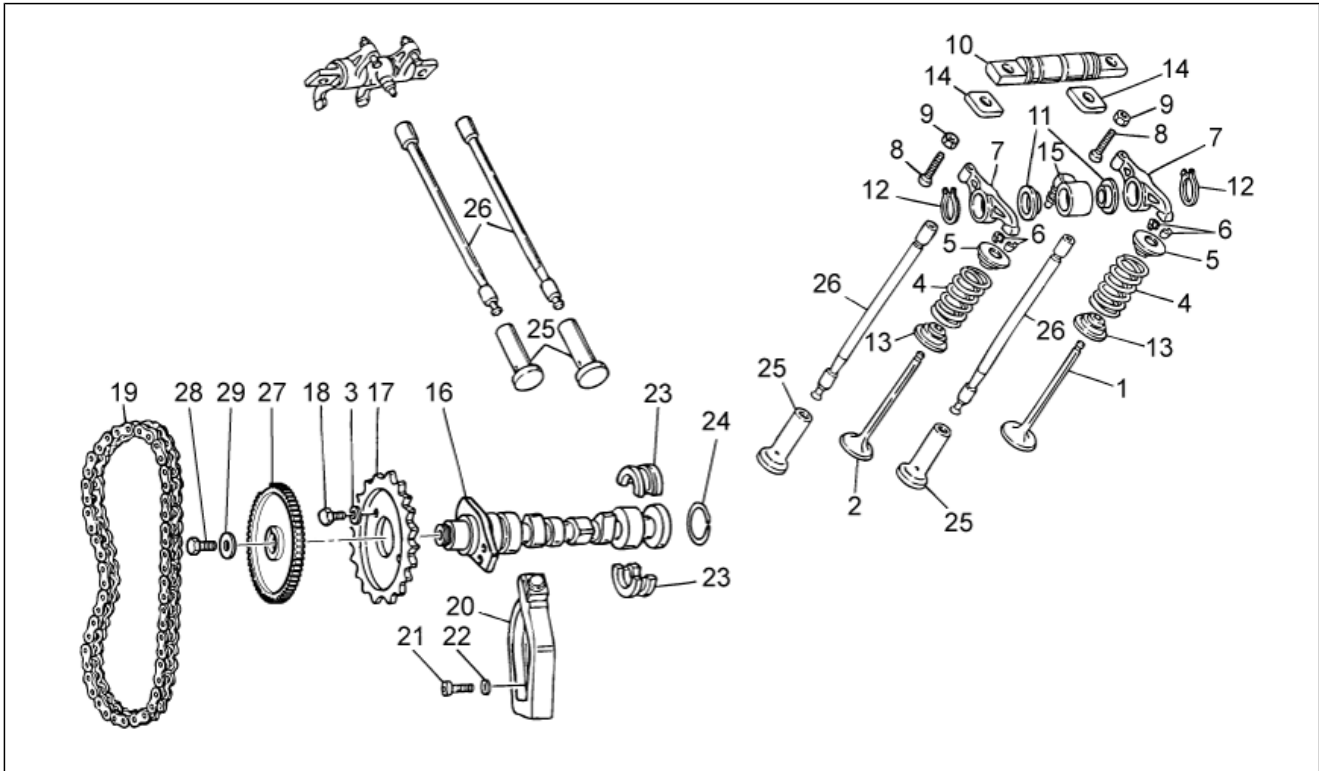
Pos.	Code	Description	Quant	Variants
1	2A0000995	Arbre moteur	1	
2	GU19065400	Bouchon	1	
3	GU27061585	Bielle cpl.	2	
4	GU19062261	Vis	4	
5	GU14615901	Rondelle 8,4X13X0,8	6	
6	GU27062060	Demi-coussinet	4	
7	GU27065660	Demi-couss.de vilebr.av.	2	
8	GU27066560	Demi-couss.de vilebr.ar.	2	
9	GU27066460	Demi-etau	2	
10	8872690001	Piston compl. d.80 Cat. D	1	
10	8872690002	Piston compl. d.80 Cat. E	1	
10	8872690003	Piston compl. d.80 Cat. F	1	
11	886670	Garniture cylindre	2	
12	GU61027200	Joint torique	2	
13	B063016	Axe	2	
14	874567	Bague de butée	4	
15	B063465	Cylindre av.piston cpl.	2	
16	B063466	Ensemble de segments	2	
17	GU27061885	Douille	2	
18	GU19067700	Vis	6	

<b>Groupe</b>	MOTEUR
<b>Code</b>	34.38
<b>Description</b>	Distribution
<b>Révision</b>	1



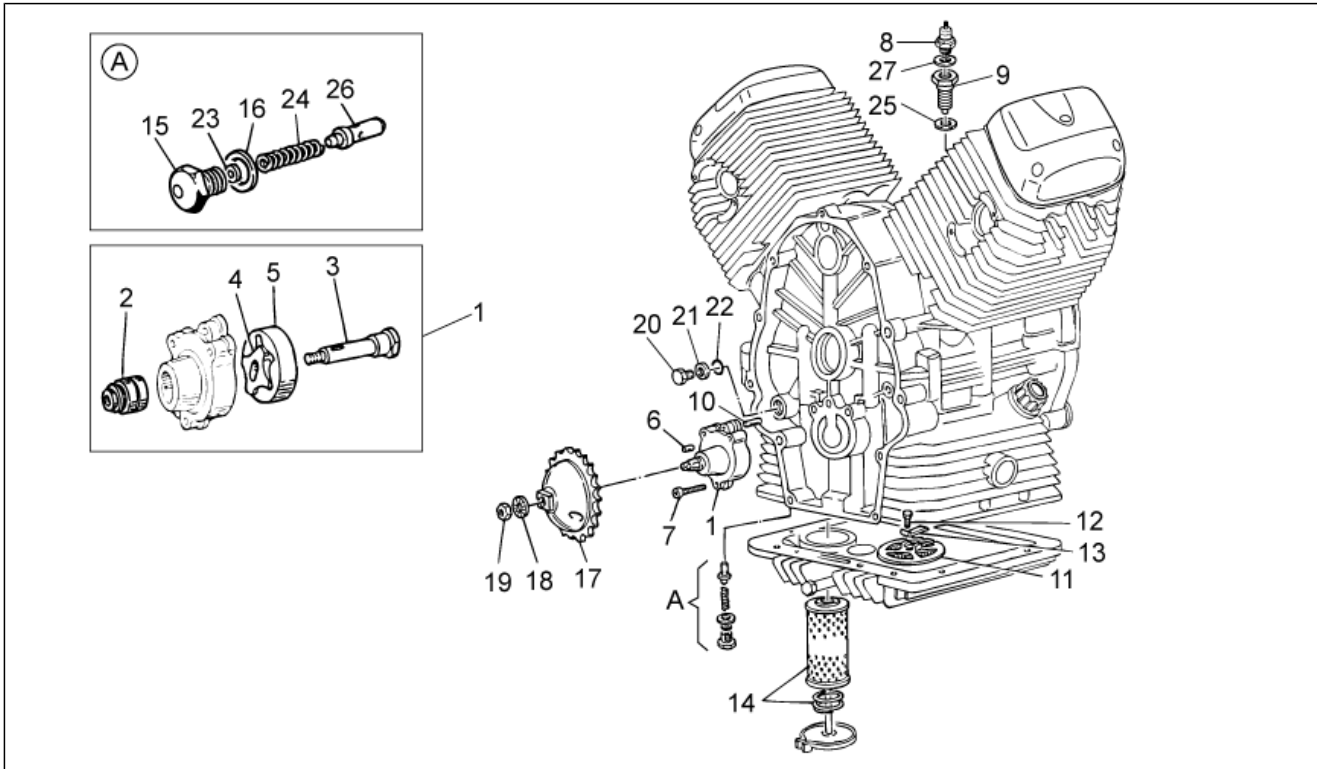
Pos.	Code	Description	Quant	Variants
1	2A000146	Soupape d'admission	2	
2	2A000147	Soupape decharge	2	
3	GU23217800	Rondelle de séreté	2	
4	GU27037521	Ressort	4	
5	GU31038015	Coupelle supérieur	4	
6	GU61038100	Demi-clavette	8	
7	GU19030500	Culbuteur	4	
8	GU19034000	Vis	4	
9	GU92602406	Ecrou M6x1	4	
10	GU19032080	Axe culbuteur	2	
11	GU32032310	Rondelle éventail	4	
12	GU90271018	Bague seeger	4	
13	GU31037015	Coupelle inférieure	4	
14	GU19032980	Cale	4	
15	2B000579	Manchon	2	
16	GU32053410	Arbre à cames	1	
17	GU32054510	Engrenage distribution	1	
18	GU61054900	Boulon	2	
19	GU19058021	Chaîne de distribution	1	
20	GU19058220	Tendeur de chaine	1	
21	GU98882316	Vis	1	
22	GU95129115	Rondelle	1	
23	GU19055700	Secteur	2	
24	GU90353029	Anneau élastique	1	
25	GU19045861	Poussoir	4	
26	GU31045015	Culbuteur tige	4	
27	887528	Wheel speed sensor, LH front	1	
28	GU98054422	Vis M8x22	1	

<b>Groupe</b>	MOTEUR
<b>Code</b>	34.38
<b>Description</b>	Distribution
<b>Révision</b>	1



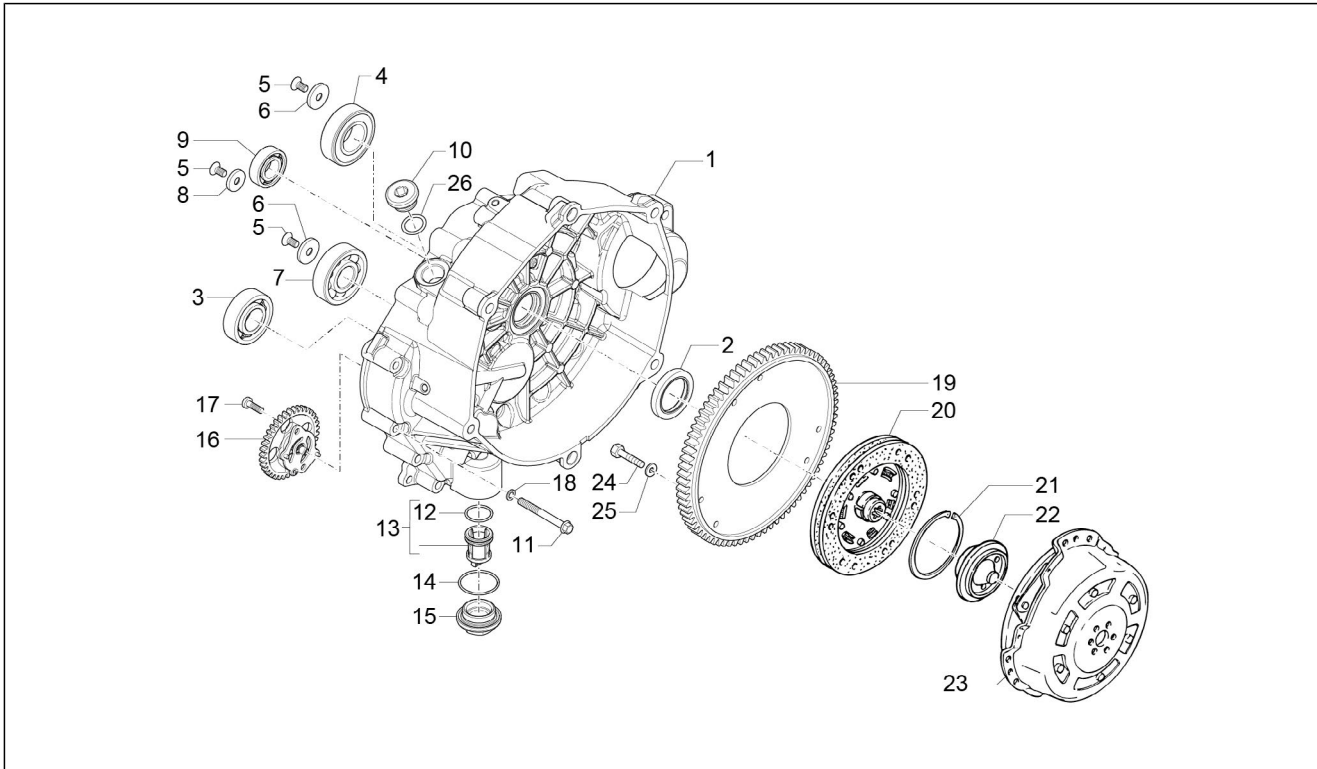
Pos.	Code	Description	Quant	Variants
29	GU95100244	Rondelle	1	

<b>Groupe</b>	MOTEUR
<b>Code</b>	34.39
<b>Description</b>	Pompe huile
<b>Révision</b>	1



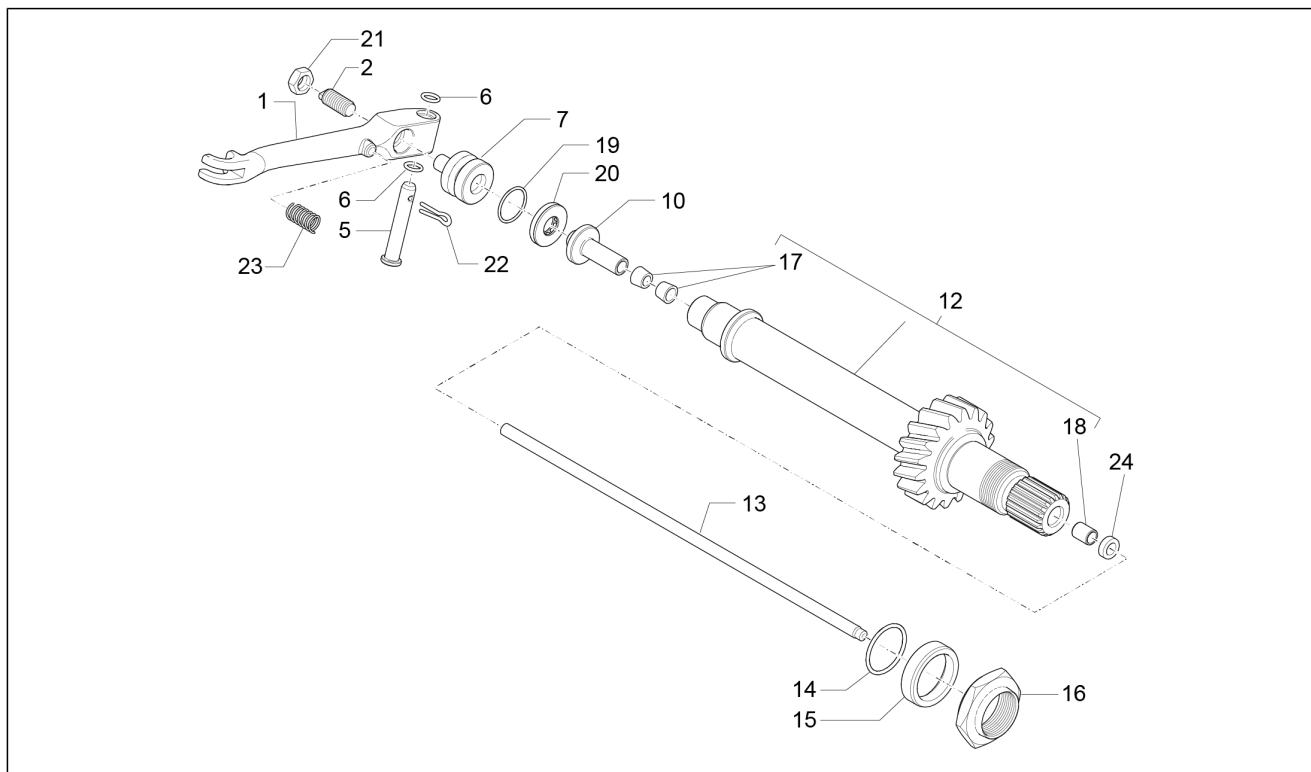
Pos.	Code	Description	Quant	Variants
1	GU19146422	Pompe huile	1	
2	GU92252210	Roulement à rouleaux 10x22x20	1	
3	GU20147810	Arbre pompe huile	1	
4	GU20148410	Rotor intérieur	1	
5	GU20148610	Rotor extérieur	1	
6	GU92296723	Rouleau	1	
7	GU98620335	Vis M6x35	3	
8	641541	Capteur de pression d'huile	1	
9	887093	Raccord	1	
10	GU19018920	Goupille	2	
11	GU19152200	Filtre à huile	1	
12	GU98084314	Vis M6x14	1	
13	GU95187006	Plaquette	1	
14	GU27153085	Filtre à huile	1	
15	GU31159050	Bouchon	1	
16	GU18144350	Rondelle 18,25x24x1	3	
17	GU20147710	Pignon de pompe	1	
18	AP8152220	Rondelle	1	
19	GU92602510	Ecrou M10x1,25	1	
20	GU31016050	Bouchon	1	
21	GU18161150	Garniture 14,25	1	
22	GU90706111	Joint torique	1	
23	GU95008206	Rondelle 6,15x11x0,8	3	
24	GU94321079	Ressort	1	
25	GU95100602	Joint	1	
26	GU31150950	Piston	1	
27	GU95100309	Rondelle	1	

<b>Groupe</b>	MOTEUR
<b>Code</b>	34.40
<b>Description</b>	Embrague I
<b>Révision</b>	1



Pos.	Code	Description	Quant	Variants
1	2A0003794	Cloche embrayage	1	
2	886629	Bague d'étanchéité	1	
3	848650	Roulement à billes 20x47x14	1	
4	GU92201226	Roulement à billes 25x52x15	1	
5	B013608	Vis	4	
6	873928	Rondelle	3	
7	GU92201822	Roulement à billes 20x52x15	1	
8	873905	Rondelle	1	
9	834764	Roulement	1	
10	GU12022600	Bouchon huile	1	
11	AP8150045	Vis M6x55	14	
12	B017406	Joint torique 20,35x1,78	1	
13	B018020	Filtre à huile cpl.	1	
14	285536	Joint torique 31,47x1,78	1	
15	B015598	Bouchon filtre à huile	1	
16	B018448	Pompe à huile complète	1	
17	2A000241	Vis M5x16	2	
18	GU95008306	Rondelle 6,4x12x1,2	14	
19	GU32067910	Couronne	1	
20	GU32084410	Disque embrayage mené	1	
21	GU90272075	Anneau élastique	1	
22	GU19083462	Cuvette	1	
23	GU32080310	Embrayage	1	
24	884038	Vis M6x16	6	
25	GU14217901	Rondelle 6,4x10x0,7	6	
26	GU90706203	Joint torique 20,24x2,62	1	

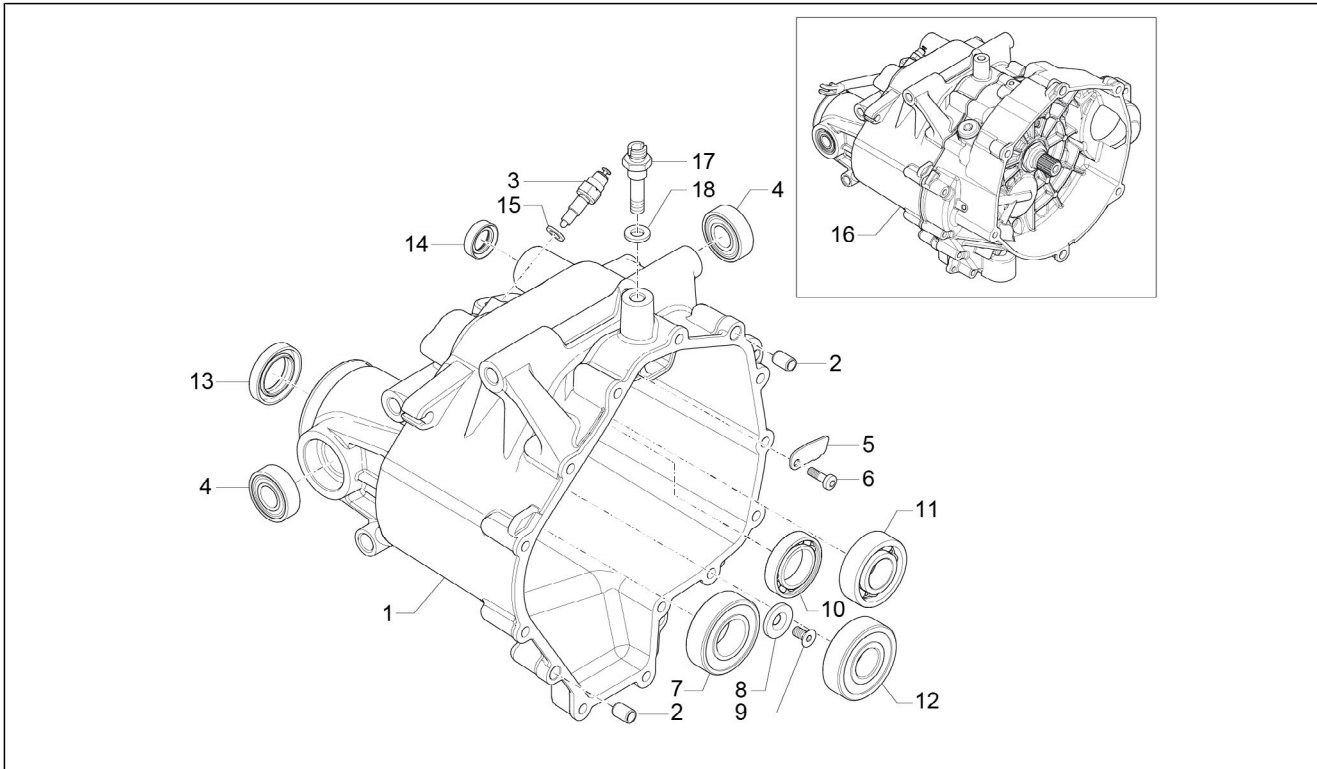
<b>Groupe</b>	MOTEUR
<b>Code</b>	34.41
<b>Description</b>	Embrague II
<b>Révision</b>	1



Pos.	Code	Description	Quant	Variants
1	2A000383	Débrayage	1	
2	GU14090400	Vis embrayage	1	
5	2A000384	Goujon de levier	1	
6	2A000385	Joint torique 6.5x1.5	2	
7	GU14086100	Corps extérieur	1	
10	B013037	Pignon embrayage	1	
12	2A000204	Arbre embrayage Z=18	1	
13	2A000216	Tige de commande	1	
14	GU90706235	Joint torique 23,52x1,78	1	
15	GU19213760	Entretoise	1	
16	GU19356760	Ecrou	1	
17	GU14085900	Douille	2	
18	GU05217630	Douille	1	
19	GU90706170	Joint torique 17,13x2,62	1	
20	2A000376	Palier poussée	1	
21	GU92606508	Ecrou	1	
22	GU95500222	Goupille	1	
23	GU94321105	Retour levier démarrage	1	
24	2A000378	Bague d'étanchéité	1	

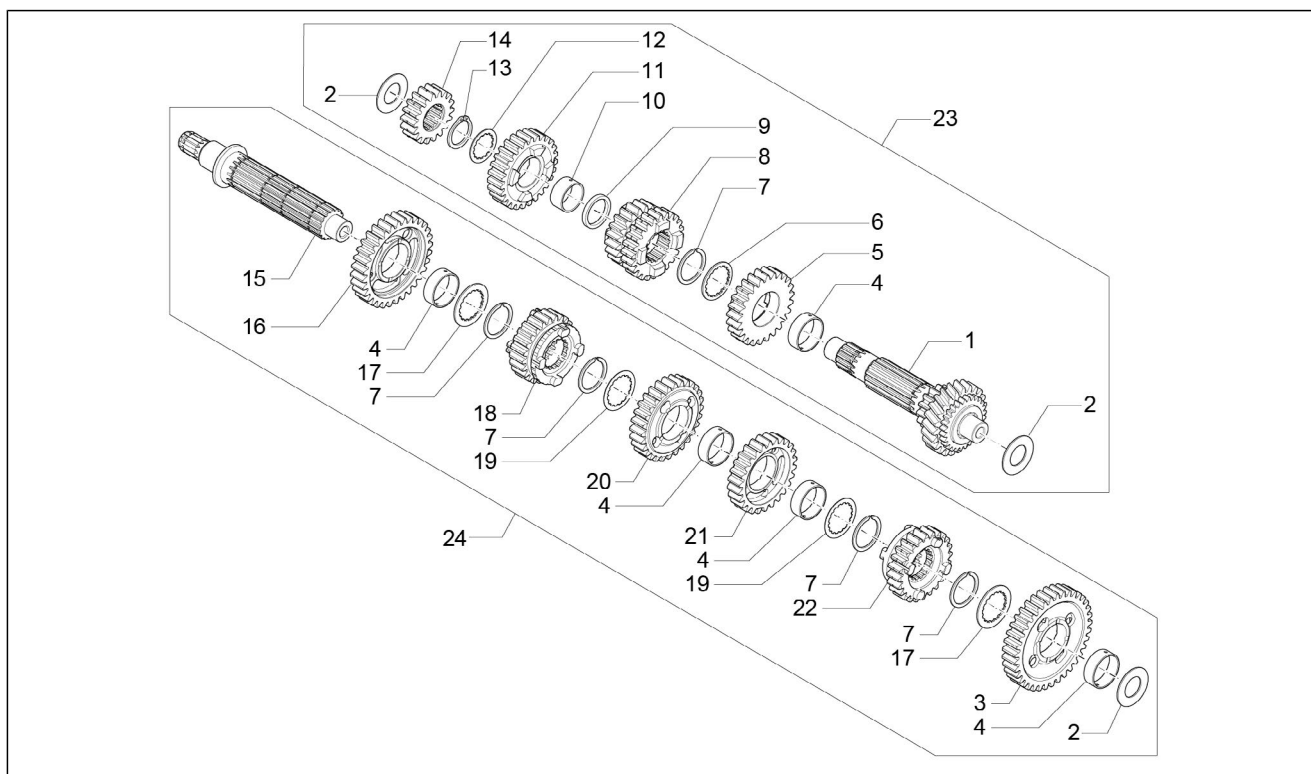


<b>Groupe</b>	MOTEUR
<b>Code</b>	34.42
<b>Description</b>	Carter de boîte vitesses
<b>Révision</b>	1



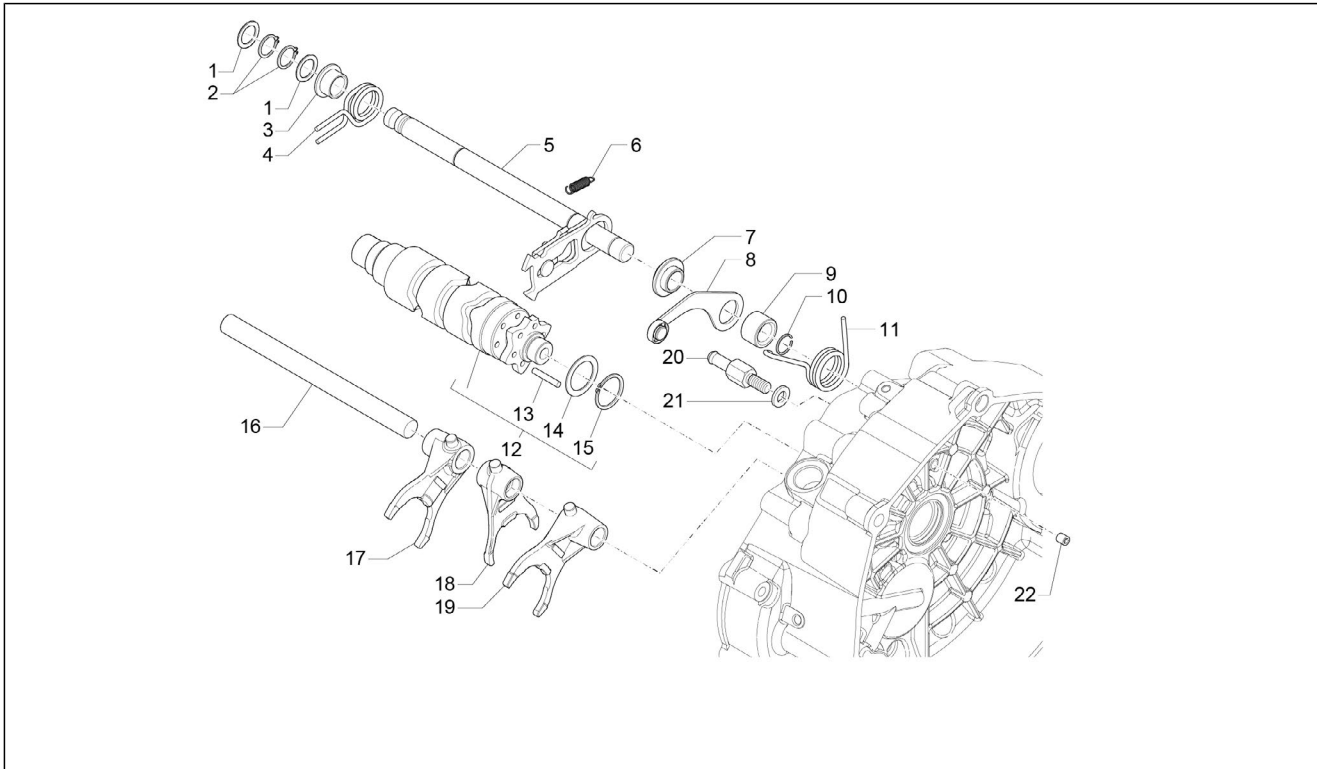
Pos.	Code	Description	Quant	Variants
1	2A000210	Carter de boîte vitesses	1	
2	GU19002020	Douille 6,6x9x13	2	
3	B063269	Capteur	1	
4	2A000097	Roulement à billes 6202-2RSH/C3 LHT23	2	
5	2A000306	Plaque butée	1	
6	2A000241	Vis M5x16	1	
7	GU92201226	Roulement à billes 25x52x15	1	
8	873928	Rondelle	1	
9	B013608	Vis	1	
10	857250	Roulement à billes 25x42x9	1	
11	2A000375	Roulement à billes	1	
12	GU92201822	Roulement à billes 20x52x15	1	
13	GU90412541	Bague d'étanchéité 25X40X7	1	
14	GU90401424	Bague d'étanchéité 14x24x7	1	
15	B063025	Joint 8,7x14,2x1,3	1	
16	2A000196	Boîte de vitesses cpl.	1	
17	2A000438	Bouchon purge	1	
18	GU01528930	Joint 10x18x1,5	1	

<b>Groupe</b>	MOTEUR
<b>Code</b>	34.43
<b>Description</b>	Boîte de vitesses
<b>Révision</b>	1



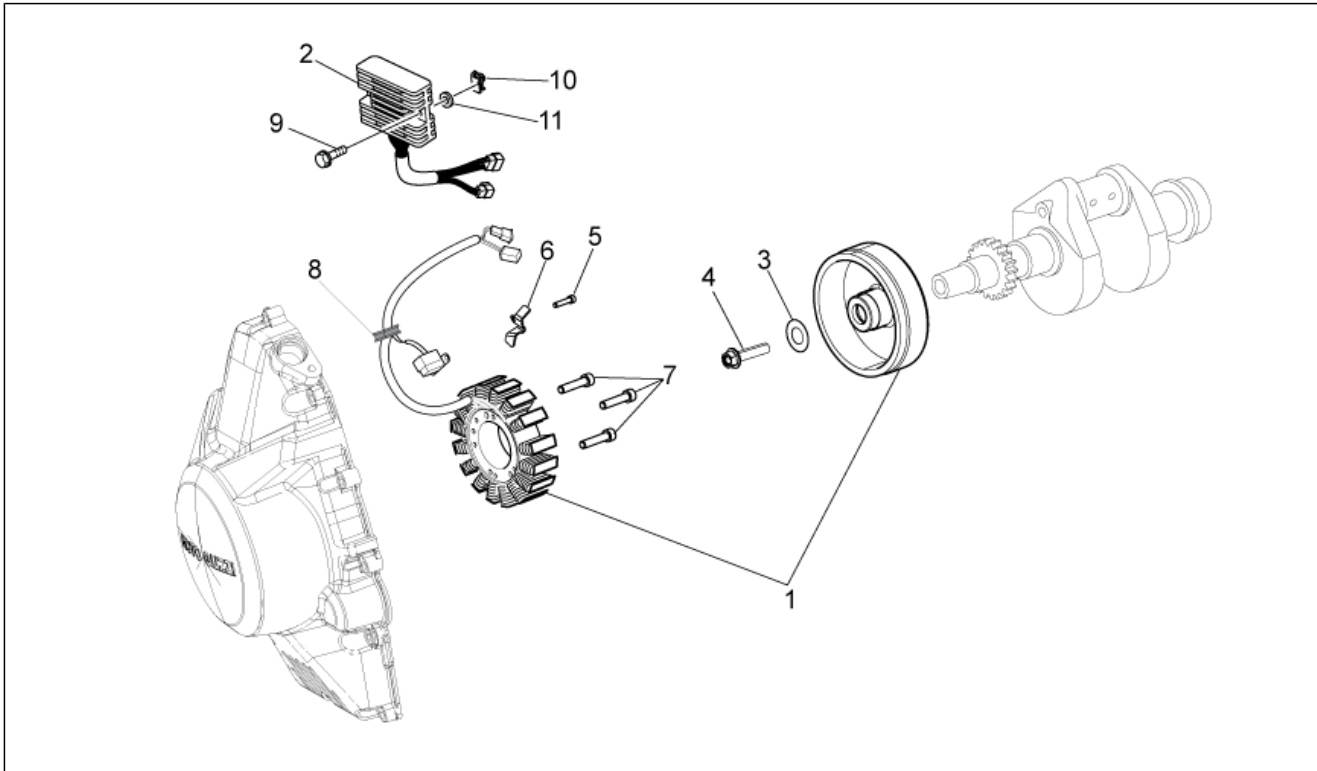
Pos.	Code	Description	Quant	Variants
1	2A000230	Arbre primaire	1	
2	1A000566	Rondella di spallamento	3	
3	B017470	Pignone de 1e vit.	1	
4	849308	Bague mobile	5	
5	1A000360	Engrenage 5eme vitesse	1	
6	849424	Rondelle d'appui	1	
7	1A002604	Anneau élast. arbres	5	
8	1A000436	Pignone coulissant 3a - 4a vel.	1	
9	B015040	Rondella di spallamento	1	
10	974162	Bague mobile	1	
11	1A000361	Engr. 6e sur prim.	1	
12	849396	Rondelle d'appui	1	
13	974165	Anneau élastique	1	
14	1A000365	Engr. 2e sur prim.	1	
15	2A000203	Albero cambio secondario	1	
16	1A000366	Engrenage 2eme vitesse Z=32	1	
17	849309	Rondelle d'appui	2	
18	1A000370	Engrenage 6e Z=24	1	
19	849310	Rondelle d'appui	2	
20	1A000367	Engrenage 3eme vitesse Z=28	1	
21	1A000368	Engrenage 4eme vitesse Z=26	1	
22	1A000369	Engrenage 5eme vitesse Z=24	1	
23	2A000199	Arbre prim. comp.	1	
24	2A000202	Arbre sec. comp.	1	

<b>Groupe</b>	MOTEUR
<b>Code</b>	34.44
<b>Description</b>	Selecteur boîte de vitesses
<b>Révision</b>	1



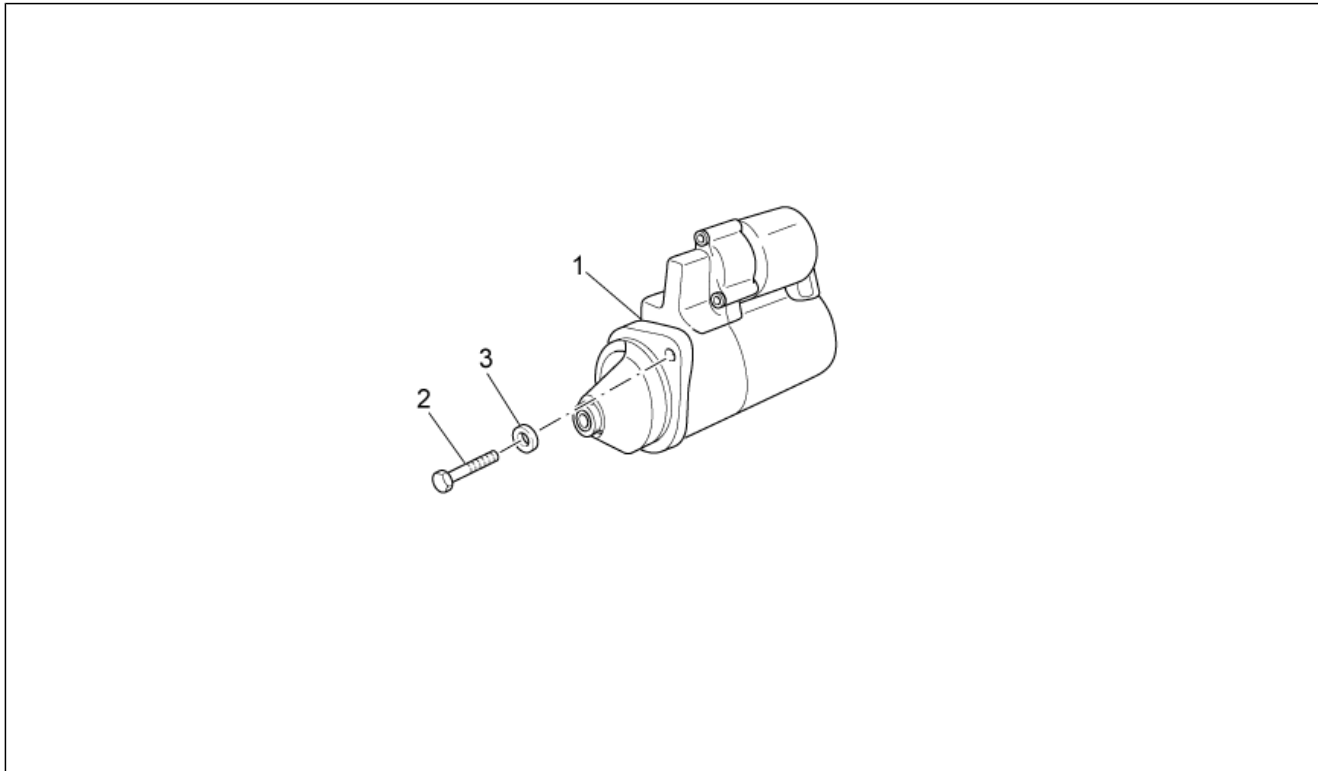
Pos.	Code	Description	Quant	Variants
1	GU05239330	Butée	2	
2	GU90271014	Bague seeger	2	
3	GU05238131	Entretoise	1	
4	B063956	Ressort	1	
5	2A000219	Preselecteur complet	1	
6	GU05238231	Ressort	1	
7	GU05238431	Douille	1	
8	B064112	Levier index cpl	1	
9	GU05234230	Entretoise	1	
10	GU90353014	Bague seeger	1	
11	B064113	Ressort index	1	
12	2A000222	Desmodromique cpl.	1	
13	GU05234631	Tige	6	
14	GU05235531	Cale	1	
15	GU90271022	Bague seeger	1	
16	2A000224	Tige	1	
17	2A000226	Fourchette 2-3 vitesses	2	
18	2A000227	Forchetta 5-6 v.tà	1	
19	2A000225	Forchetta per albero secondario	1	
20	2A000416	Vite di fermo	1	
21	B063025	Joint 8,7x14,2x1,3	1	
22	862560	Ecrou spéciale	1	

<b>Groupe</b>	MOTEUR
<b>Code</b>	34.45
<b>Description</b>	Alternateur - Régul.
<b>Révision</b>	1



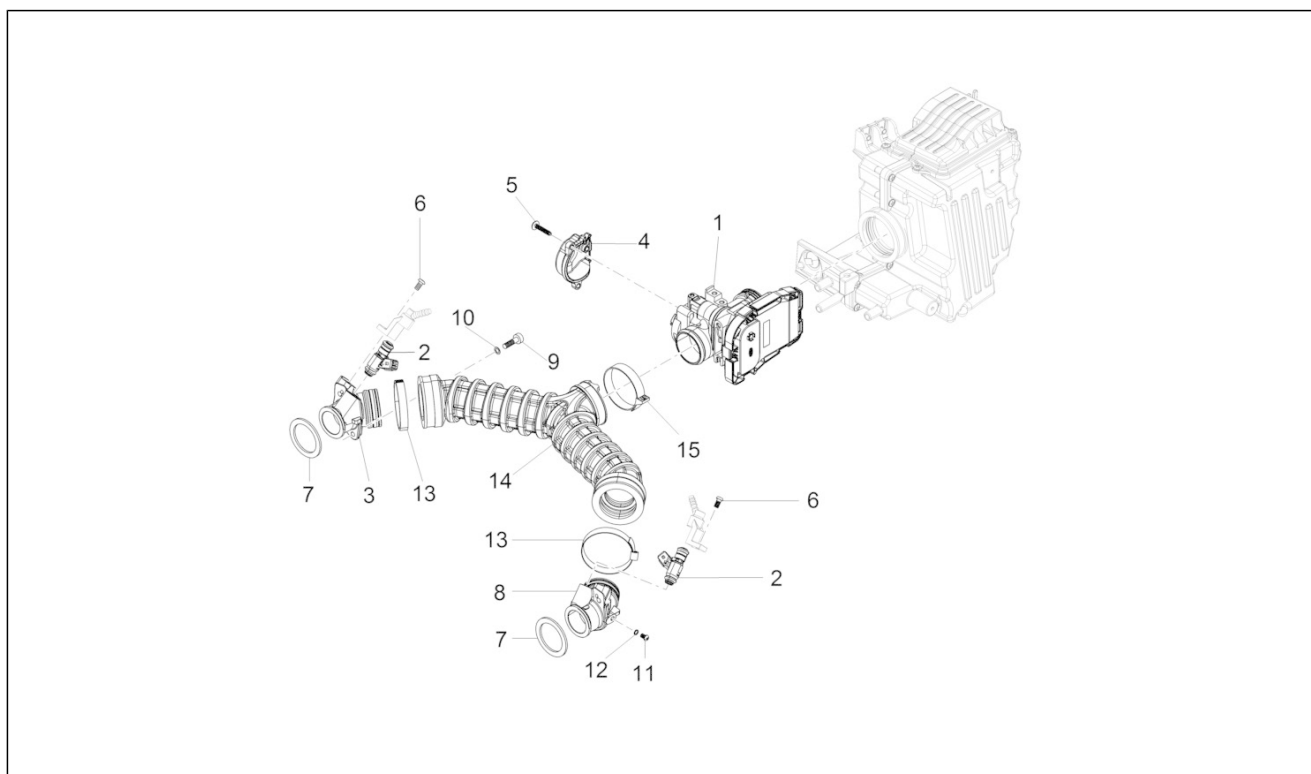
Pos.	Code	Description	Quant	Variants
1	2D000024	Volant magnétique compl.	1	
2	2D000043	Régulateur de tension	1	
3	897478	Rondelle 12x26.5x3	1	
4	857206	Vis bride M12X1,25X50	1	
5	GU98682212	Vis M5x12	1	
6	2A000115	Plaquette	1	
7	2A000129	Vis TCHC basse M6x35	3	
8	GU19007700	Caoutchouc	1	
9	AP8152281	Vis bride M6x30	2	
10	254485	Plaquette elastique M6	2	
11	GU95100125	Rondelle	2	

<b>Groupe</b>	MOTEUR
<b>Code</b>	34.46
<b>Description</b>	Démarrreur
<b>Révision</b>	1



Pos.	Code	Description	Quant	Variants
1	97729R	Démarrreur	1	
2	GU92609408	Ecrou M8x1,25	1	
3	GU95008208	Rondelle 8,4X15X1,5	2	

<b>Groupe</b>	MOTEUR
<b>Code</b>	34.47
<b>Description</b>	Corps à papillon
<b>Révision</b>	1



Pos.	Code	Description	Quant	Variants
1	CM228306	Centrale électronique d'injection	1	
2	B063049	Injecteur	2	
3	GU32115010	Pipe d.	1	
4	880260	Protection Corps à papillon	1	
5	B016796	Vis à tête bombée Torx	3	
6	AP8152298	Vis bride M5x16	2	
7	GU32115510	Joint	2	
8	GU32115011	Pipe g.	1	
9	GU98622322	Vis	4	
10	GU03013800	Rondelle 6,4x12	4	
11	GU98310609	Vis M6x10	2	
12	GU95100116	Rondelle 6,25x10x1,5	2	
13	884311	Collier D.61	2	
14	2B001031	Manchon corps papil.	1	
15	GU93305061	Collier 61/65,5	1	



PIAGGIO & C.s.p.a.



## SPARE PARTS CATALOGUE



### V7 II Racer ABS 750 USA-CND 2016

Chassis prefix: ZGULWUB2

Engine prefix:

V7

GU125



## Index

Finished products.....	4
Alphanumeric index.....	5
FRAME.....	10
Table 33.01 - Frame I.....	10
Table 33.02 - Frame II.....	11
Table 33.03 - Lateral stand.....	12
Table 33.06 - Gear lever.....	13
Table 33.07 - Front fork I.....	14
Table 33.08 - Fron fork II.....	15
Table 33.11 - Rear shock absorber.....	17
Table 33.12 - Fuel tank.....	18
Table 33.13 - Front body - Front mudguard.....	19
Table 33.14 - Saddle-Central bod.....	20
Table 33.15 - Rear body I- Mudguard.....	21
Table 33.16 - Rear body II- Plate holder.....	22
Table 33.17 - Dashboard.....	23
Table 33.18 - Handlebar - Controls.....	24
Table 33.19 - Front brake system.....	26
Table 33.21 - Fuel pump.....	27
Table 33.23 - Exhaust unit.....	28
Table 33.24 - Front wheel.....	30
Table 33.25 - Rear wheel.....	31
Table 33.26 - Rear master cylinder.....	32
Table 33.27 - Rear brake caliper.....	34
Table 33.28 - Front lights.....	35
Table 33.29 - Rear lights.....	36
Table 33.30 - Electrical system I.....	37
Table 33.31 - Electrical system II.....	38
Table 33.32 - Lock hardware kit.....	40
Table 33.33 - Decal and plate set.....	41
Table 33.51 - Fuel vapour recover system.....	42
Table 33.52 - Air box II.....	43
Table 33.53 - ABS Brake system.....	44
ENGINE.....	45
Table 34.09 - Transmission complete I.....	45
Table 34.10 - Transmission complete II.....	46
Table 34.34 - Crank-case.....	49
Table 34.35 - Timing system cover.....	51
Table 34.36 - Cylinder head.....	52
Table 34.37 - Crankshaft cpl.....	53
Table 34.38 - Timing system.....	54
Table 34.39 - Oil pump.....	56
Table 34.40 - Clutch I.....	57





---

Table 34.41 - Clutch II.....	58
Table 34.42 - Transmission cage.....	59
Table 34.43 - Gear box.....	60
Table 34.44 - Gear box selector.....	61
Table 34.45 - Generator - Regulator.....	62
Table 34.46 - Starter motor.....	63
Table 34.47 - Throttle body.....	64



## Finished products

Code	Validity
GU9032115CAG00	
GU9032115CAG01	
GU9032115CAG02	
GU9032115USG00	
GU9032115USG01	
GU9032115USG02	



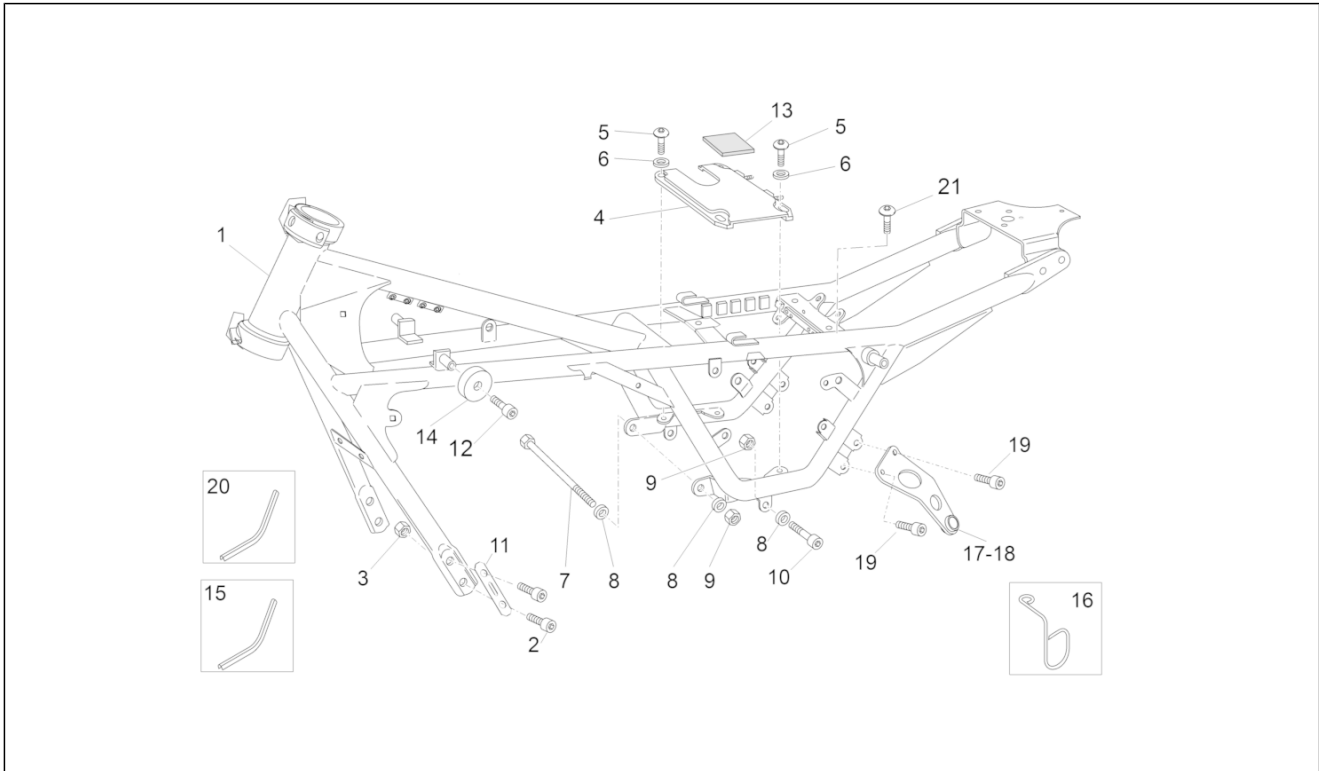








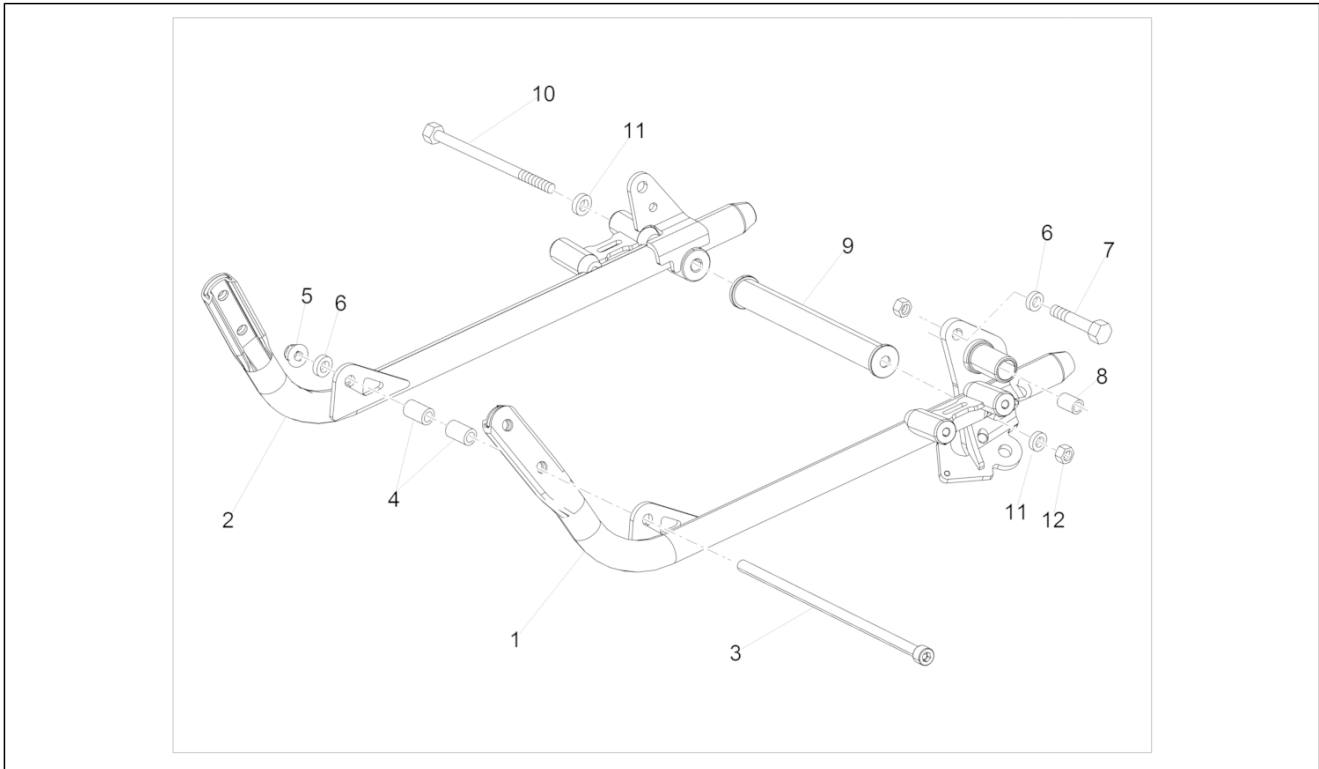
<b>Group</b>	FRAME
<b>Code</b>	33.01
<b>Description</b>	Frame I
<b>Service</b>	1



Pos.	Code	Description	Qty	Variants
1	2B001255	Frame	1	
2	GU98682530	Hex socket screw M10x30	4	
3	GU92630510	Nut M10x1,5	4	
4	B063287	Frame union plate	1	
5	GU98350416	Hex socket screw M8x16	4	
6	GU95008208	Washer 8,4X15X1,5	4	
7	2B001612	Pin M10X253	1	
8	GU95008210	Washer 10,2X18X2	11	
9	GU92606210	Nut M10x1,5	2	
10	2B001035	Pin 234X10	1	
11	886645	Plate	2	
12	GU98110199	Pin M10x205	1	
12	GU98682414	Hex socket screw	2	
13	GU01103860	Vibration-damping rubber	1	
14	GU66103415	Rubber spacer	2	
15	AP8144606	Gasket 10X5	1	
16	AP8221172	Cable-guide	1	
17	2B000843	Bracket DX	1	
18	2B000844	Bracket SX	1	
19	GU98692420	Hex socket screw M8x20	4	
20	AP8220590	Gasket	1	
21	GU03468100	screw	1	

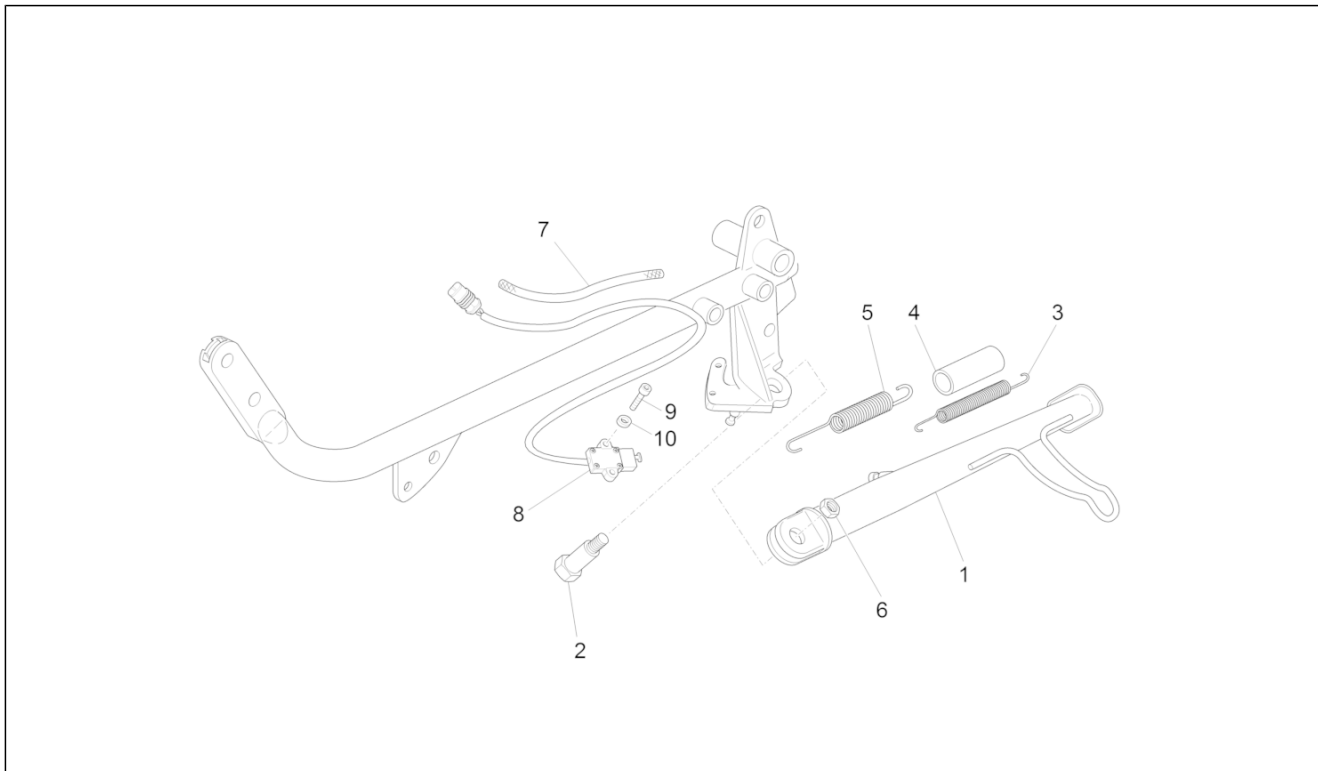


<b>Group</b>	FRAME
<b>Code</b>	33.02
<b>Description</b>	Frame II
<b>Service</b>	1



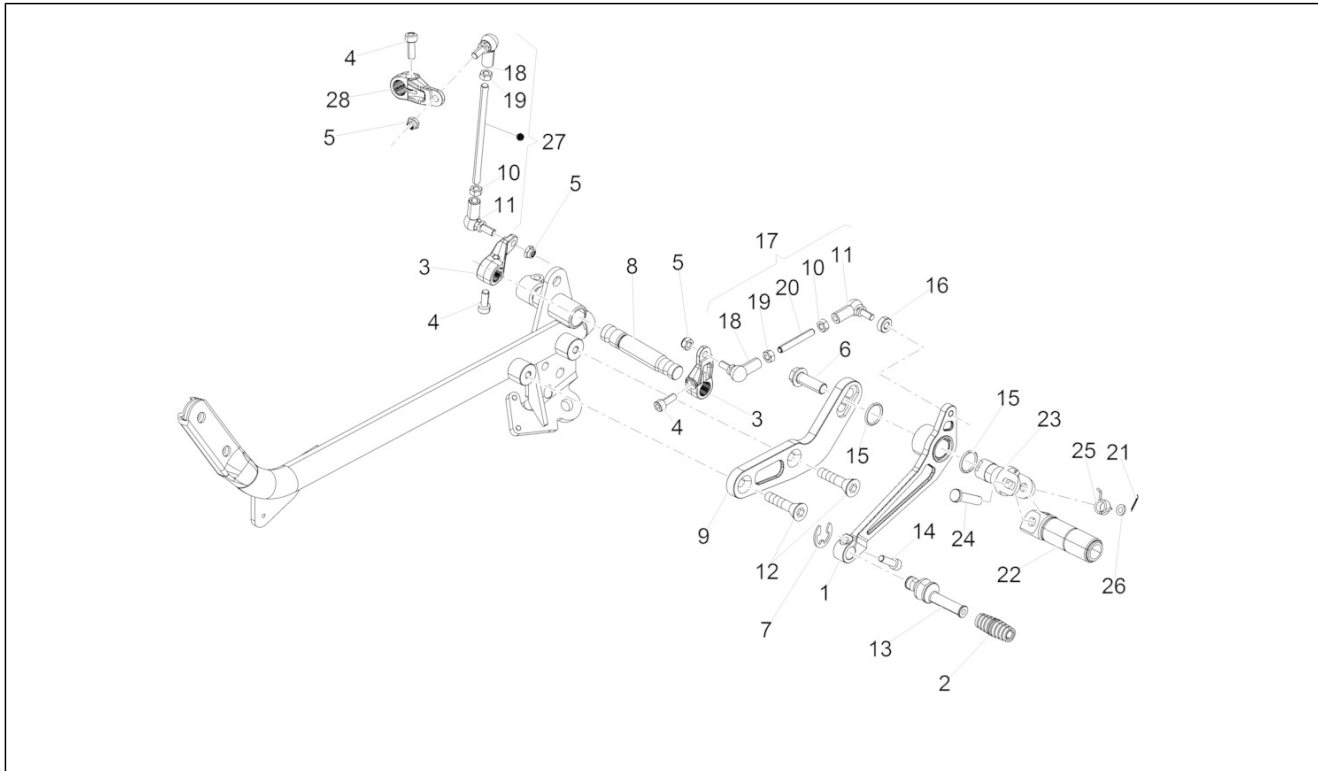
Pos.	Code	Description	Qty	Variants
1	2B001257	LH cradle arm	1	
2	2B001256	RH cradle arm	1	
3	2b001612	[...]	1	
4	GU19017000	Bushing	2	
5	GU92606210	Nut M10x1,5	3	
6	GU95008210	Washer 10,2X18X2	3	
7	GU98082565	screw M10x65	2	
8	2B001008	Bush	1	
9	2B001004	Crosspiece	1	
10	2B001230	Pin 278X10	1	
11	AP8152220	Washer	2	
12	AP8150436	Low self-locking nut	1	

<b>Group</b>	FRAME
<b>Code</b>	33.03
<b>Description</b>	Lateral stand
<b>Service</b>	1



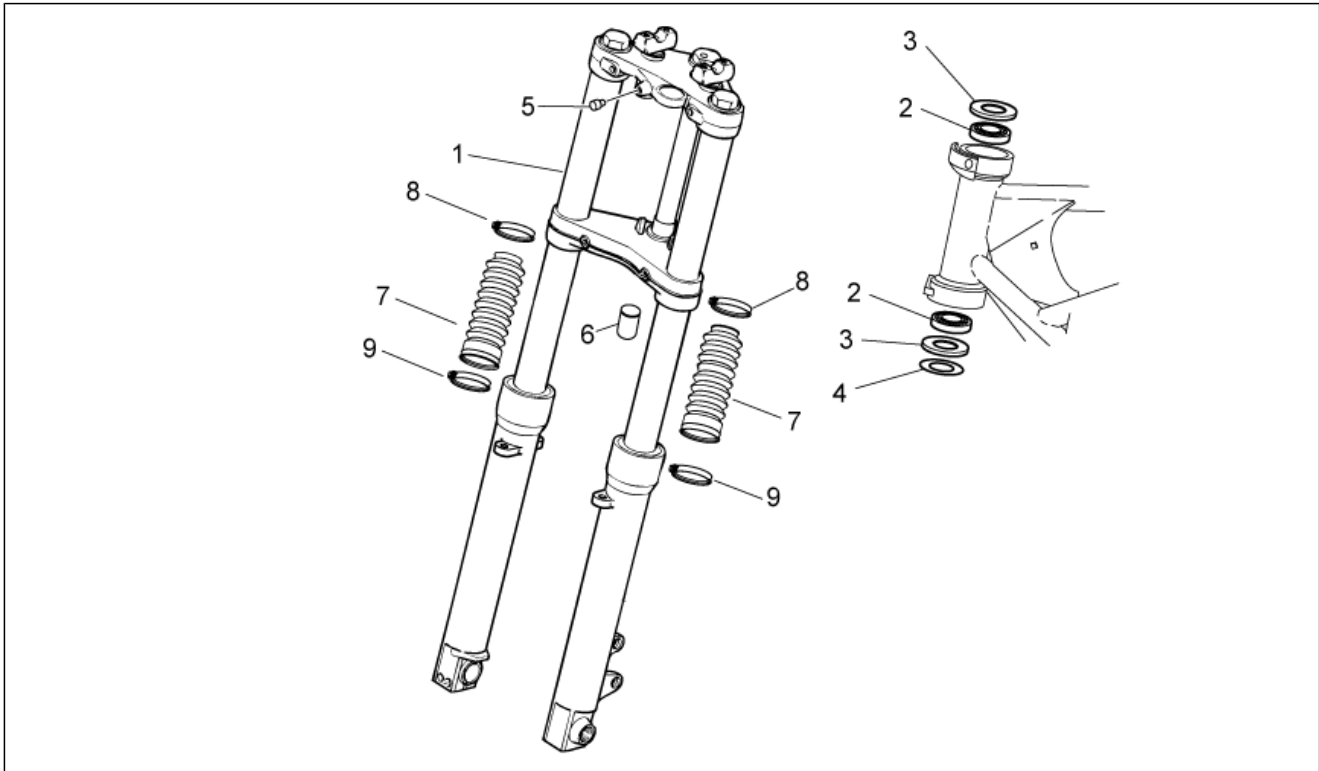
Pos.	Code	Description	Qty	Variants
1	2B001036	Lateral stand	1	
2	AP8121607	Central stand fixing screw	1	
3	AP8121014	Coil pull spring	1	
4	AP8102524	Stand spring protection	1	
5	AP8221197	Lateral stand spring	1	
6	967356	Flanged nut M10x1,25	1	
7	GU00823923140	Thermal sheath	1	
8	AP8127856	Lateral stand switch	1	
9	1C001499	TBEI TORX screw M5x16 INOX	2	
10	GU95020105	Washer 5,3x8,9x2,4	2	

<b>Group</b>	FRAME
<b>Code</b>	33.06
<b>Description</b>	Gear lever
<b>Service</b>	1



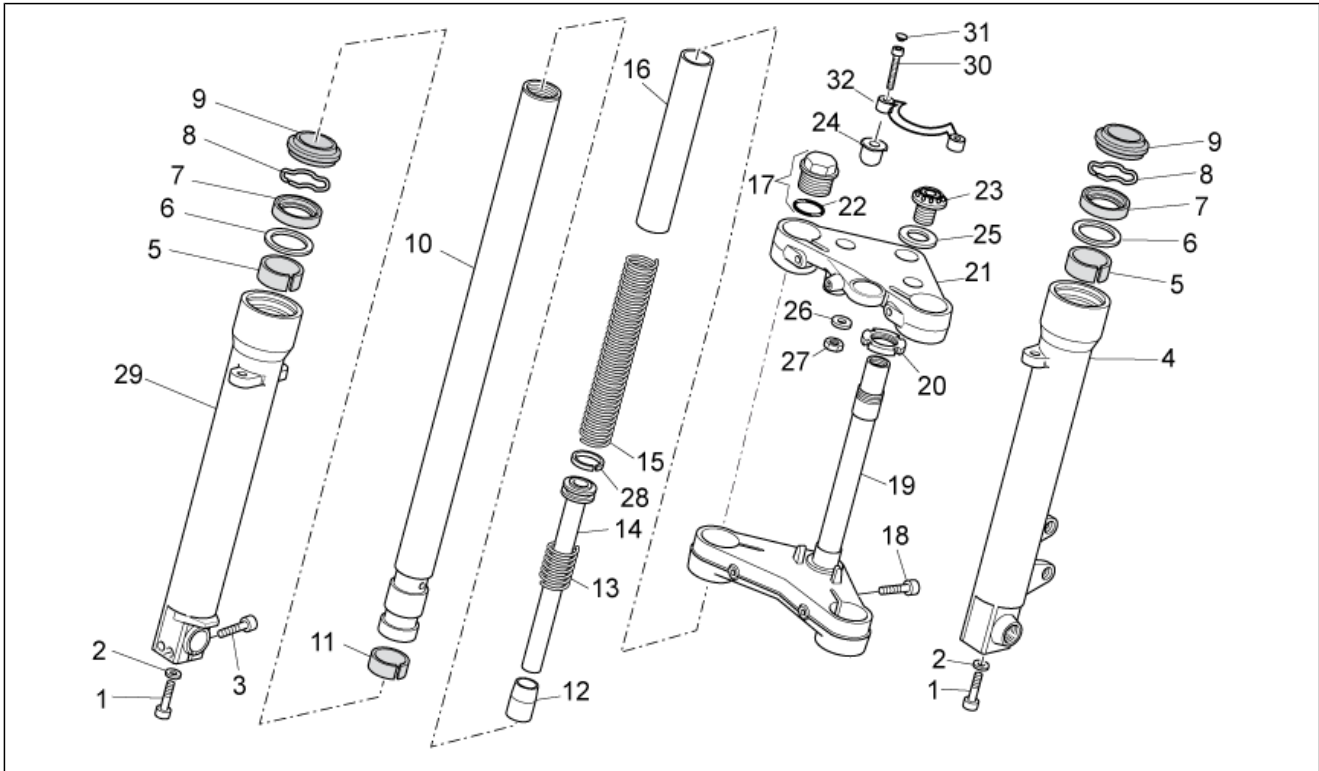
Pos.	Code	Description	Qty	Variants
1	898282	Gear lever	1	
2	AP8120912	Lever rubber	1	
3	898283	Gear change lever	1	
4	AP8150137	Hex socket screw M6x16	1	
5	AP8150115	Low self-locking nut M6	1	
6	AP8152320	Screw w/ flange	1	
7	AP8150462	Circlip d9	1	
8	2B001009	Lever pin	1	
9	898284	Rider footrest plate	1	
10	AP8221277	Footrest return spring	1	
11	AP8110053	Left ball joint M6	1	
12	898611	LH front footrest bracket	1	
13	886665	Pin	1	
14	AP8150044	Hex socket screw M6x20	1	
15	AP9100477	O-ring 18x2	2	
16	886668	Spacer	1	
17	887280	Gear control tie rod	1	
18	AP8210007	RH ball joint M6	1	
19	AP8150026	Nut M6	1	
20	856796	Gearbox linkage rod	1	
21	AP8101928	Split pin	1	
22	898281	Driver's footpeg	1	
23	898612	RH front footrest bracket	1	
24	GU23442210	Pin	1	
25	AP8221277	Footrest return spring	1	
26	GU95005308	Washer 8,4x14,57x1,6	1	
27	2B001941	Gear control tie rod	1	
28	GU20258221	Shift lever	1	

<b>Group</b>	FRAME
<b>Code</b>	33.07
<b>Description</b>	Front fork I
<b>Service</b>	1



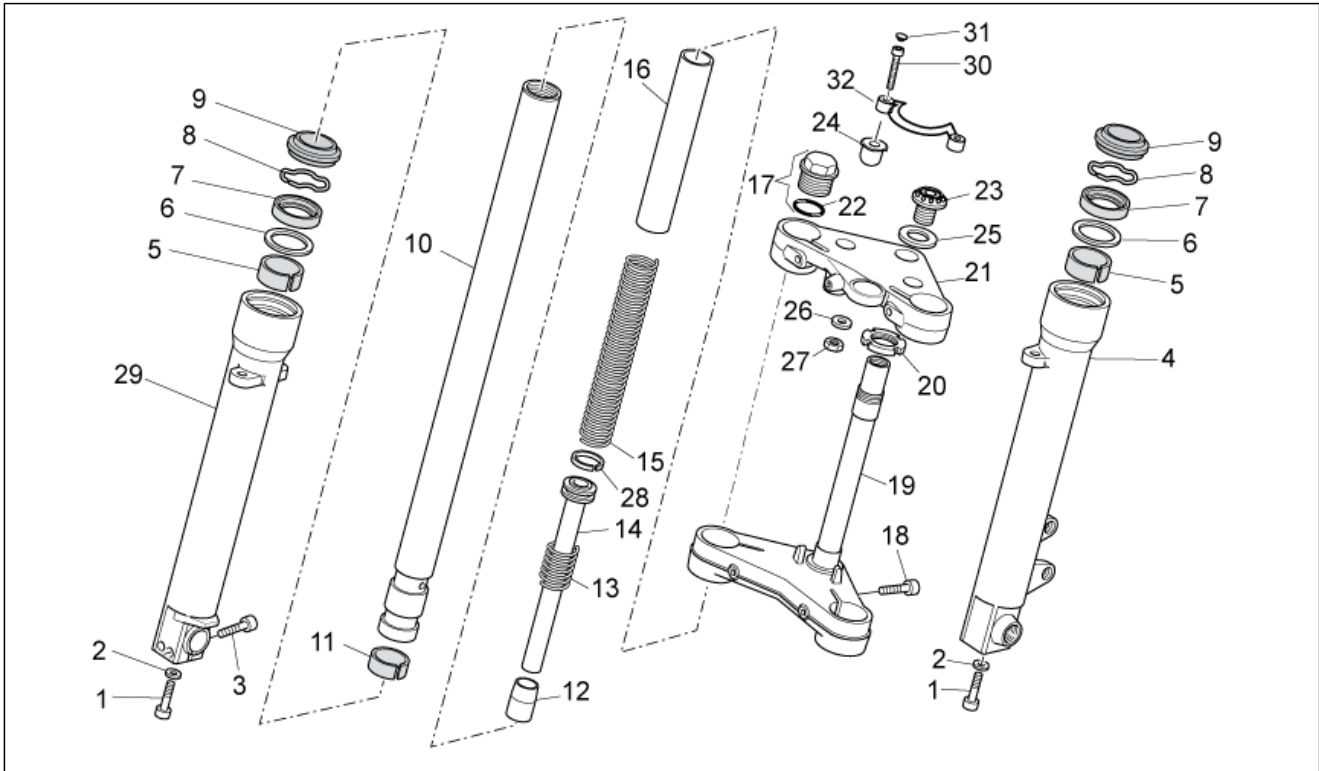
Pos.	Code	Description	Qty	Variants
1	2B001429	Front fork	1	
2	GU92249225	Tap.roller bearing	2	
3	AP8144146	Gasket ring	2	
4	AP8121307	Washer	1	
5	AP8144081	Rubber spacer	1	
6	AP8220460	Rubber cup	1	
7	898086	Anti-dust tube	7	
8	CM001929	Hose clamp 63.5	2	
9	CM001928	Hose clamp 44	2	

<b>Group</b>	FRAME
<b>Code</b>	33.08
<b>Description</b>	Fron fork II
<b>Service</b>	1



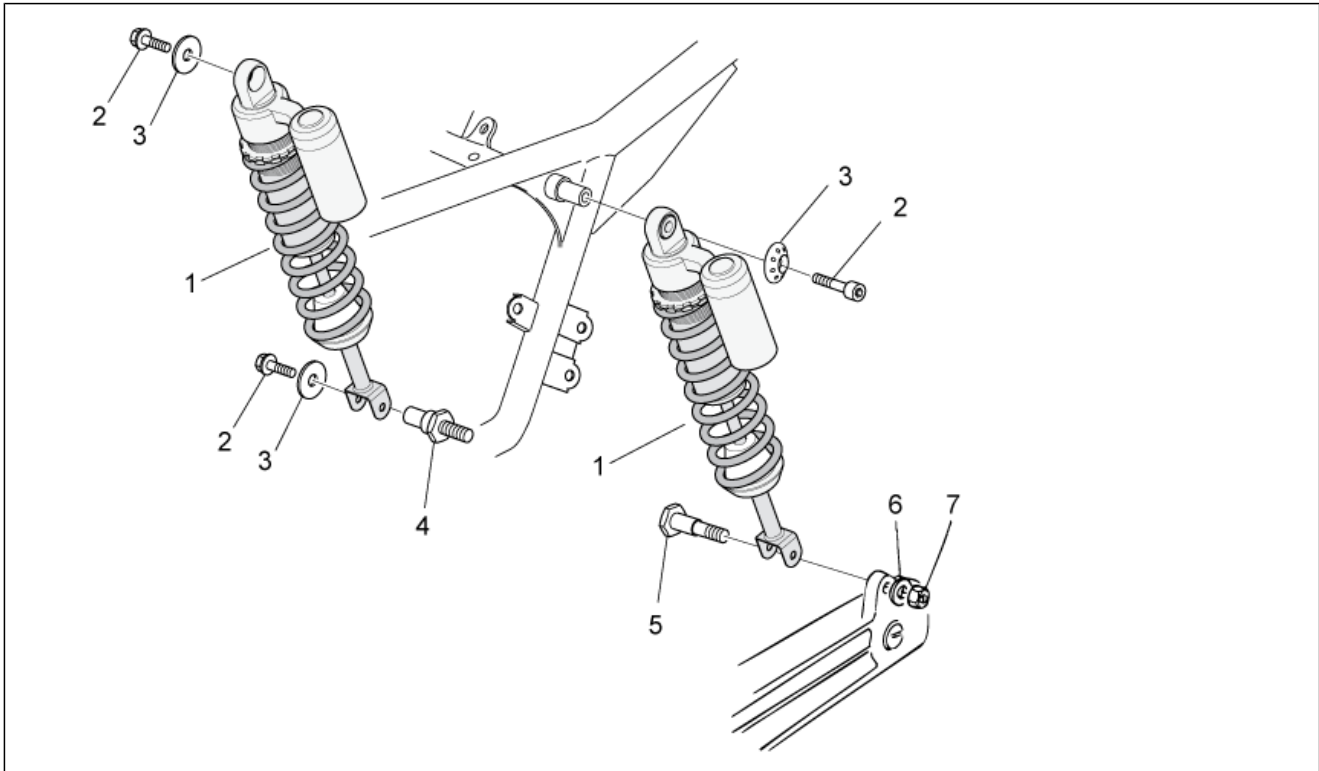
Pos.	Code	Description	Qty	Variants
1	887878	screw M10x30	2	
2	887879	Washer	2	
3	887880	screw	2	
4	2R000110	LH sleeve	1	
5	887882	Upper bush	2	
6	887883	Washer	2	
7	887884	Gasket ring	2	
8	887885	Stop ring	2	
9	887886	Dust cover	2	
10	2B001591	Sleeve	2	
11	887888	Bush	2	
12	887889	Pad	2	
13	887890	Return spring	2	
14	887891	Plunger, complete	2	
15	2R000243	Spring	2	
16	887893	pipe	2	
17	887894	Plug cpl.	2	
18	887895	screw	2	
19	887896	Stem base	1	
20	GU31513480	Ring nut M25X1	1	
21	886842	Fork upper plate	1	
22	887916	O-ring 4118	2	
23	887900	Nut	1	
24	883552	Bush	2	
25	887899	Washer	1	
26	GU95005330	Washer 6,4x30x1,5	2	
27	GU92630106	Nut M6x1	2	
28	887905	Ring	2	

<b>Group</b>	FRAME
<b>Code</b>	33.08
<b>Description</b>	Fron fork II
<b>Service</b>	1



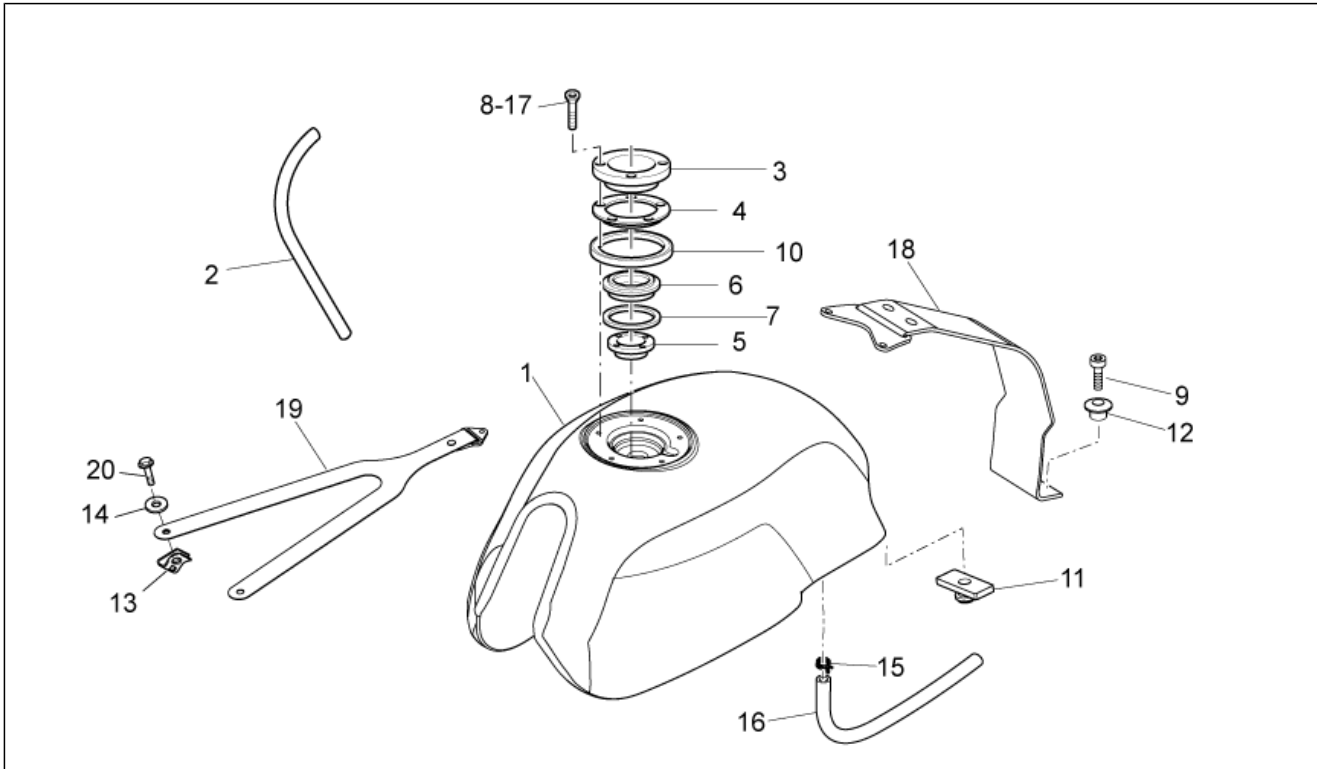
Pos.	Code	Description	Qty	Variants
29	2R000109	RH sleeve	1	
30	GU98680350	Hex socket screw M6x50	2	
31	GU23943410	Plug	8	
32	883602	Pipe	1	

<b>Group</b>	FRAME
<b>Code</b>	33.11
<b>Description</b>	Rear shock absorber
<b>Service</b>	1



Pos.	Code	Description	Qty	Variants
1	886675	Rear shock absorber	2	
2	GU98692318	Hex socket screw	3	
3	886630	Bush	3	
4	GU32555210	Pin	1	
5	GU32555211	Pin	1	
6	GU95129181	Washer	1	
7	GU92630510	Nut M10x1,5	1	

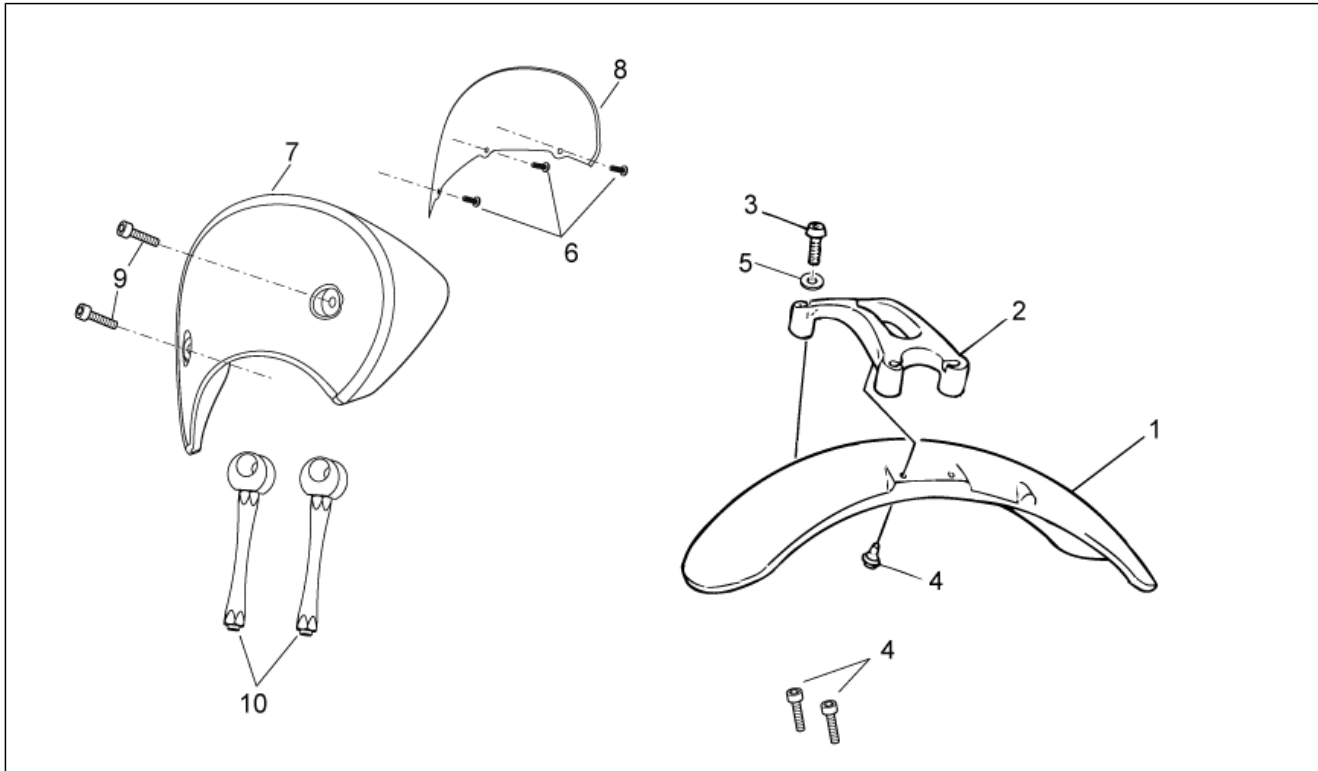
<b>Group</b>	FRAME
<b>Code</b>	33.12
<b>Description</b>	Fuel tank
<b>Service</b>	1



Pos.	Code	Description	Qty	Variants
1	2H000420	Fuel tank chrome	1	Vehicle colour:Chromed[CR] Technical specification:Decal[D]
1	2H001191000Z1	Fuel tank, grey/black	1	Vehicle colour:Grey/Black 2016[G/N] Technical specification:Decal[D]
1	887944	Fuel tank blank metal	1	Vehicle colour:Blank[GR]
2	GU00823931070	Gasket	1	
3	GU03101900	Flange	1	
4	GU03103500	Ring	1	
5	883502	Reduction 24 mm	1	
6	GU03102200	Plug ring nut	1	
7	GU03101600	Gasket	2	
8	AP8150416	Hex socket screw	3	
9	GU98682430	Hex socket screw M8x30	1	
10	GU03102400	Gasket	1	
11	AP8120557	Tank rubber	1	
12	AP8121673	T bush *	1	
13	GU28576591	Clip M6	2	
14	GU95100141	Washer 6,4x12x1,2	2	
15	AP8101595	Hose clamp D10,1	1	
16	GU00823944050	pipe 5X9	1	
17	GU03103200	screw	2	
18	2H001195	Black rear belt	1	Vehicle colour:Grey/Black 2016[G/N]
18	B063154	Rear belt	1	Vehicle colour:Chromed[CR]
19	2H001194	Black front belt	1	Vehicle colour:Grey/Black 2016[G/N]
19	B063152	Front belt	1	Vehicle colour:Chromed[CR]
20	GU98370616	Hex socket screw M6x16 inox	2	

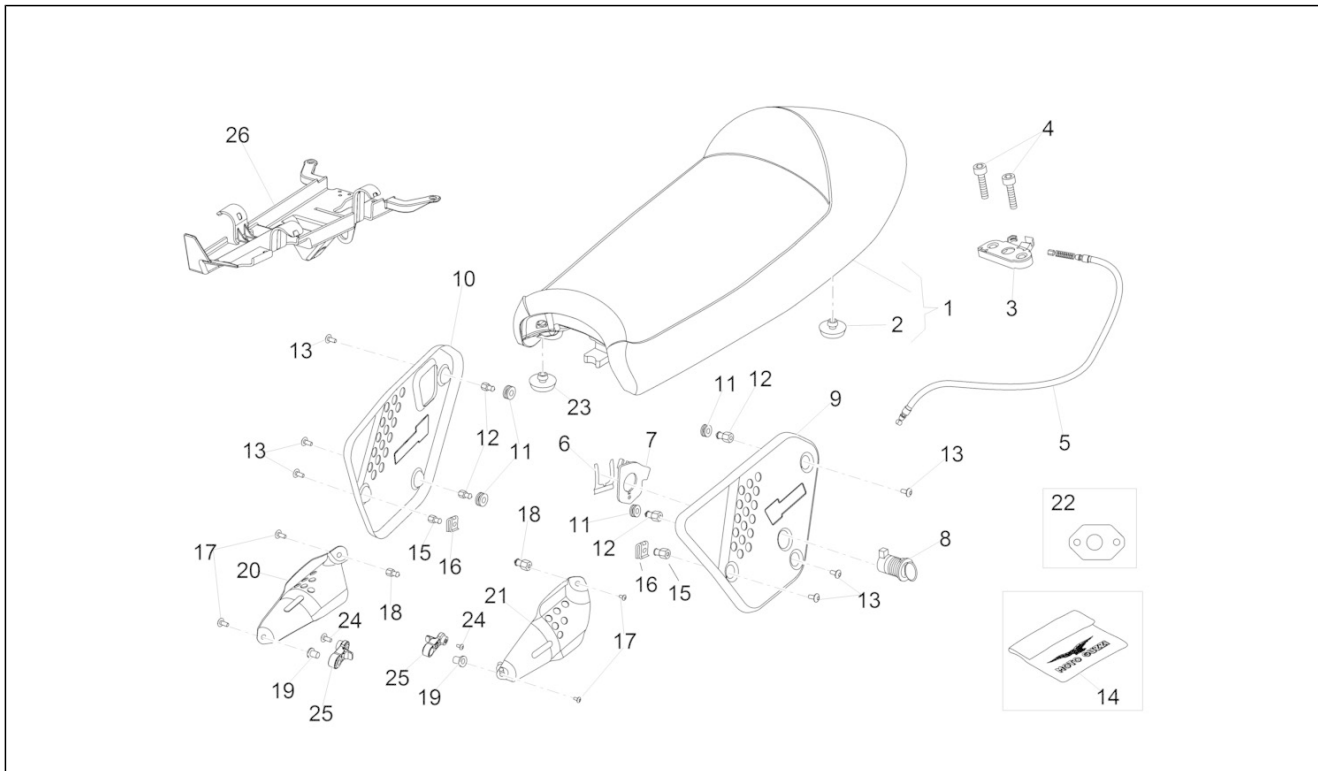


<b>Group</b>	FRAME
<b>Code</b>	33.13
<b>Description</b>	Front body - Front mudguard
<b>Service</b>	1



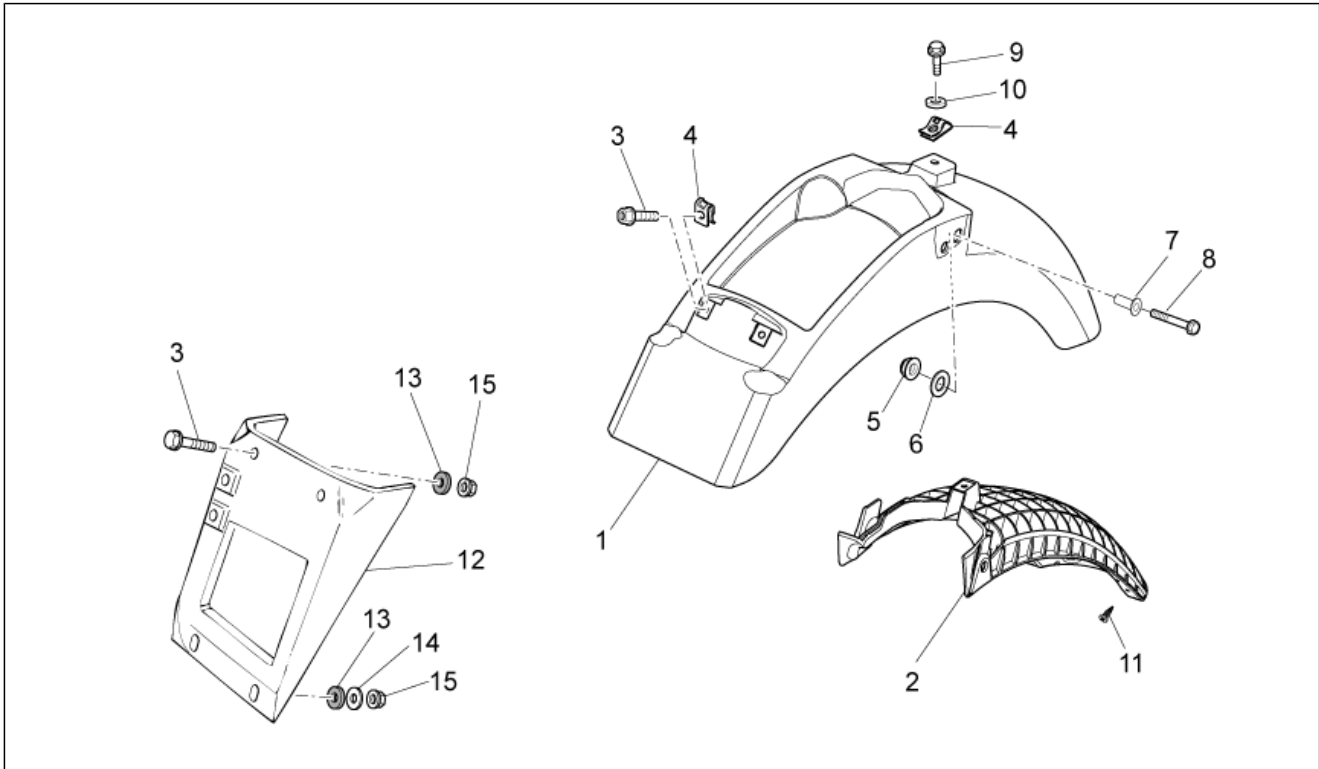
Pos.	Code	Description	Qty	Variants
1	88673000XN6	Front mudguard, black	1	Vehicle colour:Grey/Black 2016[G/N]
1	88673000Y02	Front mudguard, black	1	Vehicle colour:Chromed[CR]
2	883266	Stabilization plate	1	
3	GU98370845	Hex socket screw	4	
4	GU31439565	Special screw	4	
5	GU14615901	Washer 8,4X13X0,8	4	
6	AP8150413	Self-tap screw 3,9x14	3	
7	2H000421000Y02	Headlight windshield black	1	Vehicle colour:Chromed[CR] Technical specification:Decal[D]
7	2H001192000Z1	Windshield, grey/black	1	Vehicle colour:Grey/Black 2016[G/N] Technical specification:Decal[D]
7	898179	Headlight windshield blank	1	
8	898180	Windshield	1	
9	GU98370616	Hex socket screw M6x16 inox	2	
10	886724	Windshield support	2	

<b>Group</b>	FRAME
<b>Code</b>	33.14
<b>Description</b>	Saddle-Central bod
<b>Service</b>	1



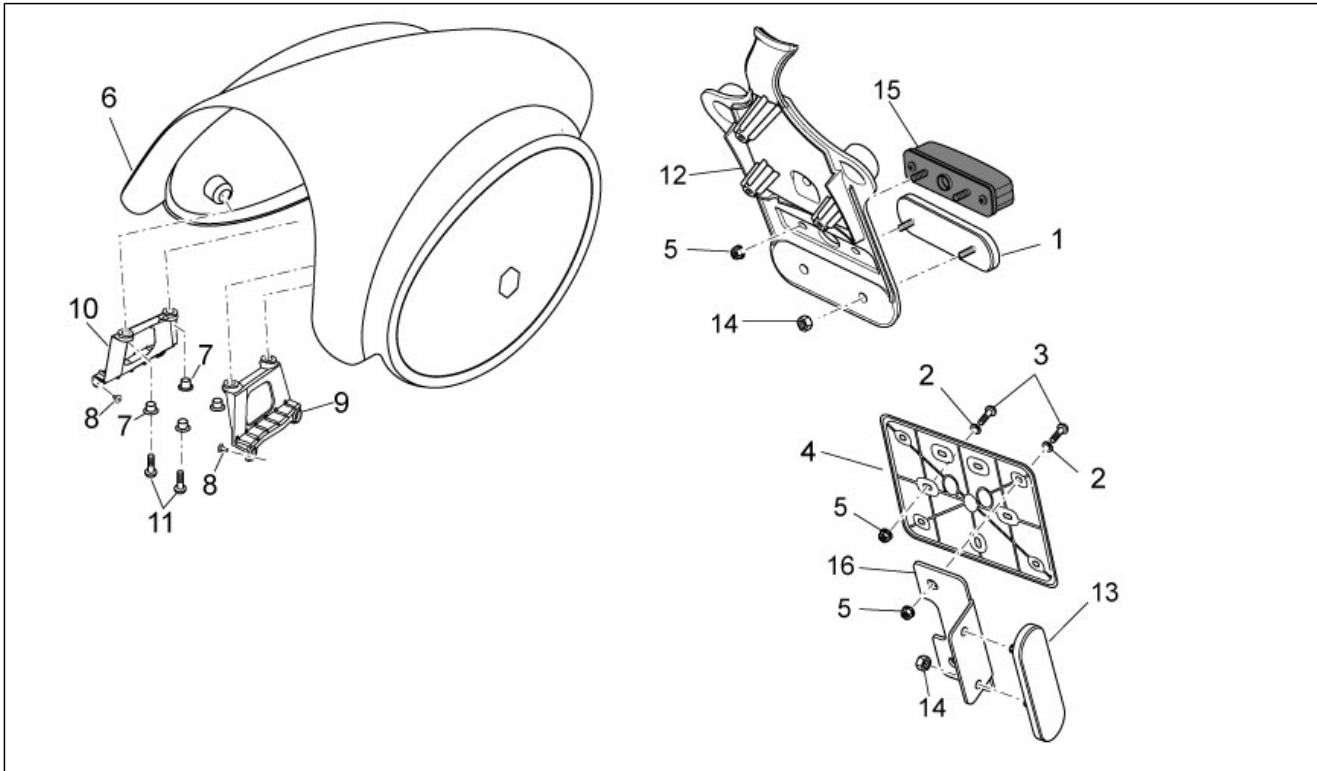
Pos.	Code	Description	Qty	Variants
1	89817800A3	Saddle, brown	1	Vehicle colour:Chromed[CR]
1	89817800A4	Saddle	1	Vehicle colour:Grey/Black 2016[G/N]
2	GU32461610	Rubber spacer	8	
3	AP8102913	Pass.saddle connecting plate	1	
4	GU98370625	Hex socket screw	2	
5	883295	Saddle release cable	1	
6	AP8121420	Fork spring	1	
7	978415	Cable fixing plate	1	
8	977527	Locking complete with keys	1	
9	2B000839	LH side panel	1	Technical specification:no decals[ND]
10	2B000838	RH side panel	1	Technical specification:no decals[ND]
11	GU91551086	Rubber spacer	4	
12	886368	Fixing pin	4	
13	976614	Hex socket screw M5x15	6	
14	886841	Saddle protection bag	1	
15	886706	Fixing pin	2	
16	254485	Spring plate M6	2	
17	GU98370515	screw	4	
18	AP8120531	Rubber w/ insert	2	
19	886727	Fixing pin	2	
20	2B000841	Right throttle cover	1	
21	2B000842	Left throttle cover	1	
22	886820	Saddle lock fix.plate	1	
23	B063429	Rubber spacer	2	
24	GU98692313	Hex socket screw M6x12	2	
25	2B001988	Maintenance	2	
26	B063431	Protection	1	

<b>Group</b>	FRAME
<b>Code</b>	33.15
<b>Description</b>	Rear body I- Mudguard
<b>Service</b>	1



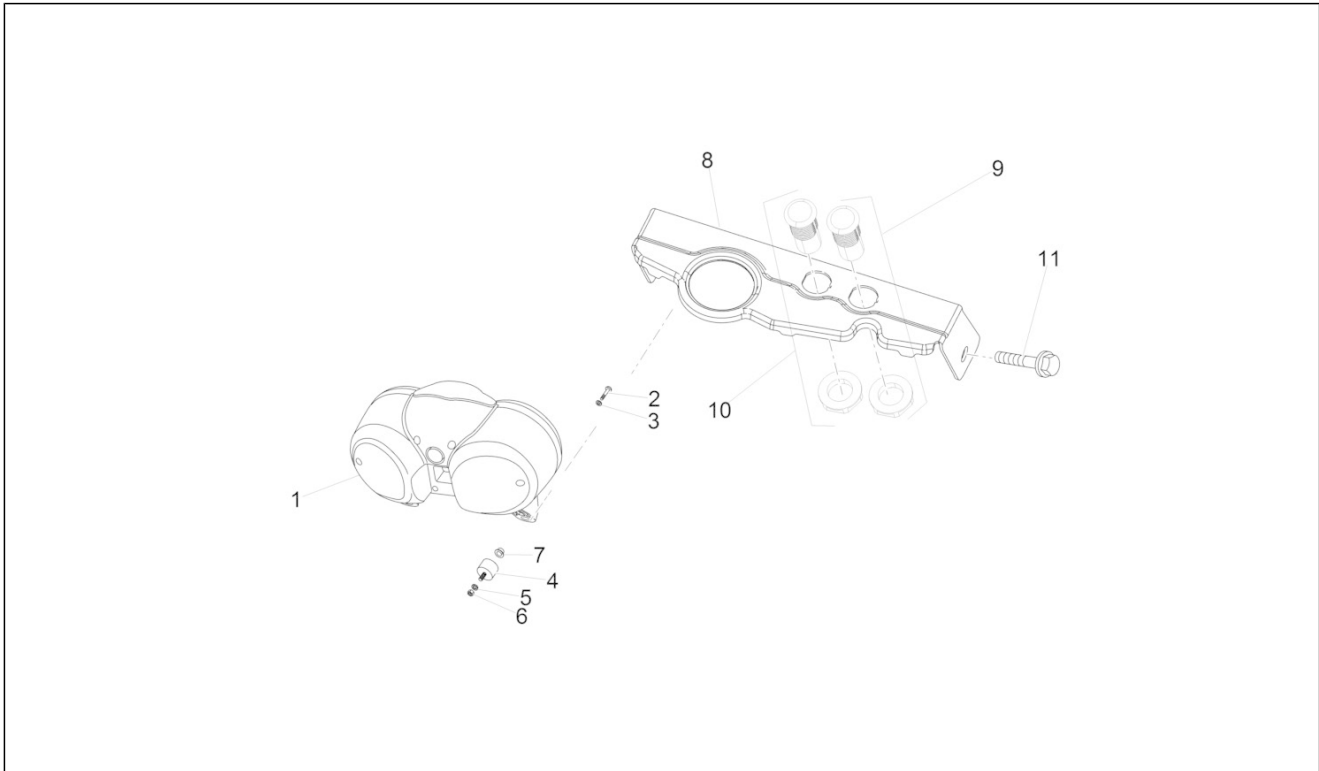
Pos.	Code	Description	Qty	Variants
1	97894600XN6	Rear mudguard, black	1	Vehicle colour:Grey/Black 2016[G/N]
1	97894600Y02	Rear mudguard, black	1	Vehicle colour:Chromed[CR]
2	978947	Support	1	
3	AP8152278	Screw w/ flange M6x16	4	
4	254485	Spring plate M6	2	
5	GU92630108	Nut	2	
6	GU91120806	Spacer	2	
7	GU95005310	Washer 8,4x18x2	2	
8	GU98370835	screw	2	
9	AP8152279	Screw w/ flange M6x20	2	
10	GU91180601	Spacer 6,2x8x3	2	
11	AP8152329	Phillips screw, SWP M5x20	3	
12	B063167	Splash guard	1	
13	AP8121032	Bush	4	
14	GU95100141	Washer 6,4x12x1,2	2	
15	AP8152299	Self-locking nut M6	4	

<b>Group</b>	FRAME
<b>Code</b>	33.16
<b>Description</b>	Rear body II- Plate holder
<b>Service</b>	1



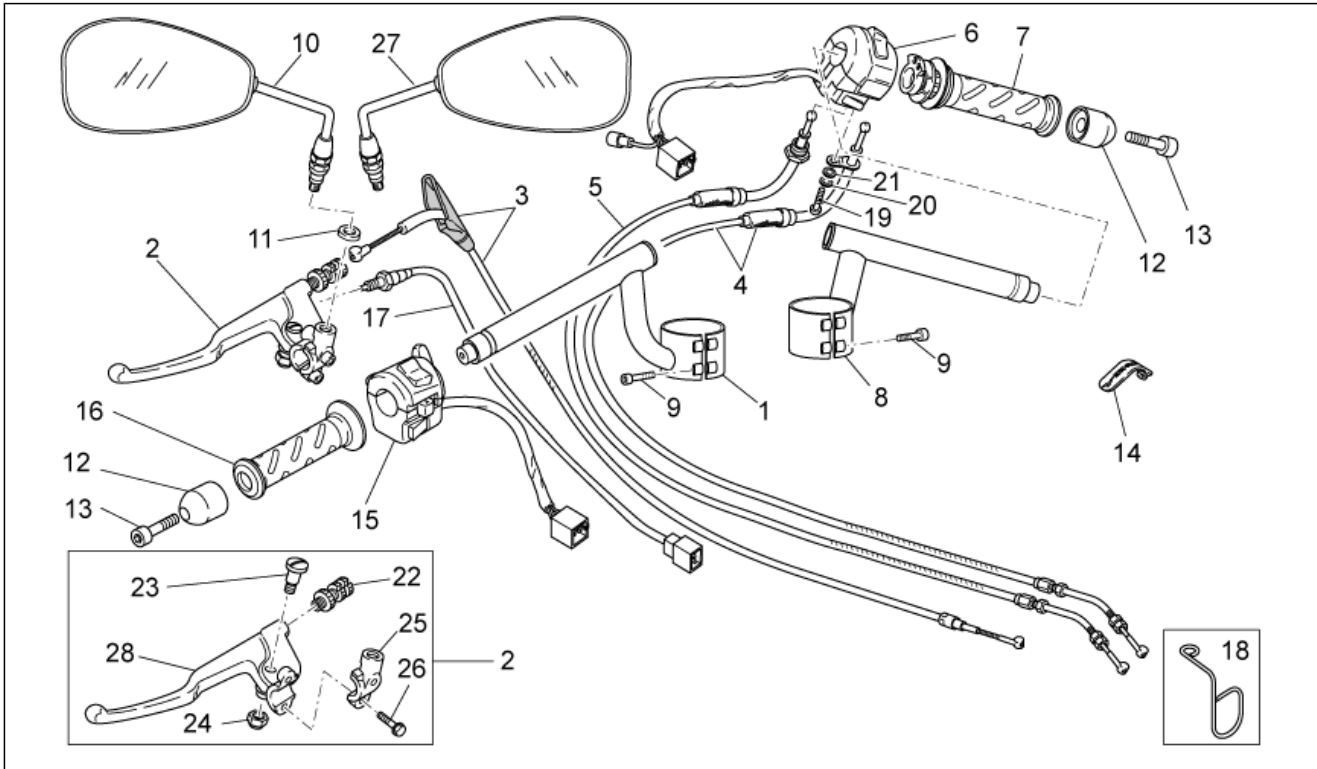
Pos.	Code	Description	Qty	Variants
1	GU05781630	Reflector, amber	1	
2	AP8150248	Washer 5,5x15x1,6	2	
3	AP8152268	Hex socket screw M5x16	2	
4	AP8149034	Number plate support	1	
5	AP8152306	Self-locking nut m5	1	
6	2H000422000Y02	Rear fairing	1	Vehicle colour:Chromed[CR] Technical specification:Decal[D]
6	2H001193000XN6	Rear fairing, diablo black	1	Vehicle colour:Grey/Black 2016[G/N] Technical specification:Decal[D]
6	898280	Rear fairing, blank	1	
7	AP8121929	T bush 6,5x8,6x9	4	
8	AP8152339	Screw w/ flange M5x9	4	
9	886712	LH clamp	1	
10	886713	RH clamp	1	
11	AP8152273	Screw w/ flange M5x15	4	
12	883470	Number plate holder	1	
13	AP8124718	Rear reflector, red	2	
14	GU92630204	Nut	6	
15	883480	Number-plate light	1	
16	GU32781910	Reflector support	2	

<b>Group</b>	FRAME
<b>Code</b>	33.17
<b>Description</b>	Dashboard
<b>Service</b>	1



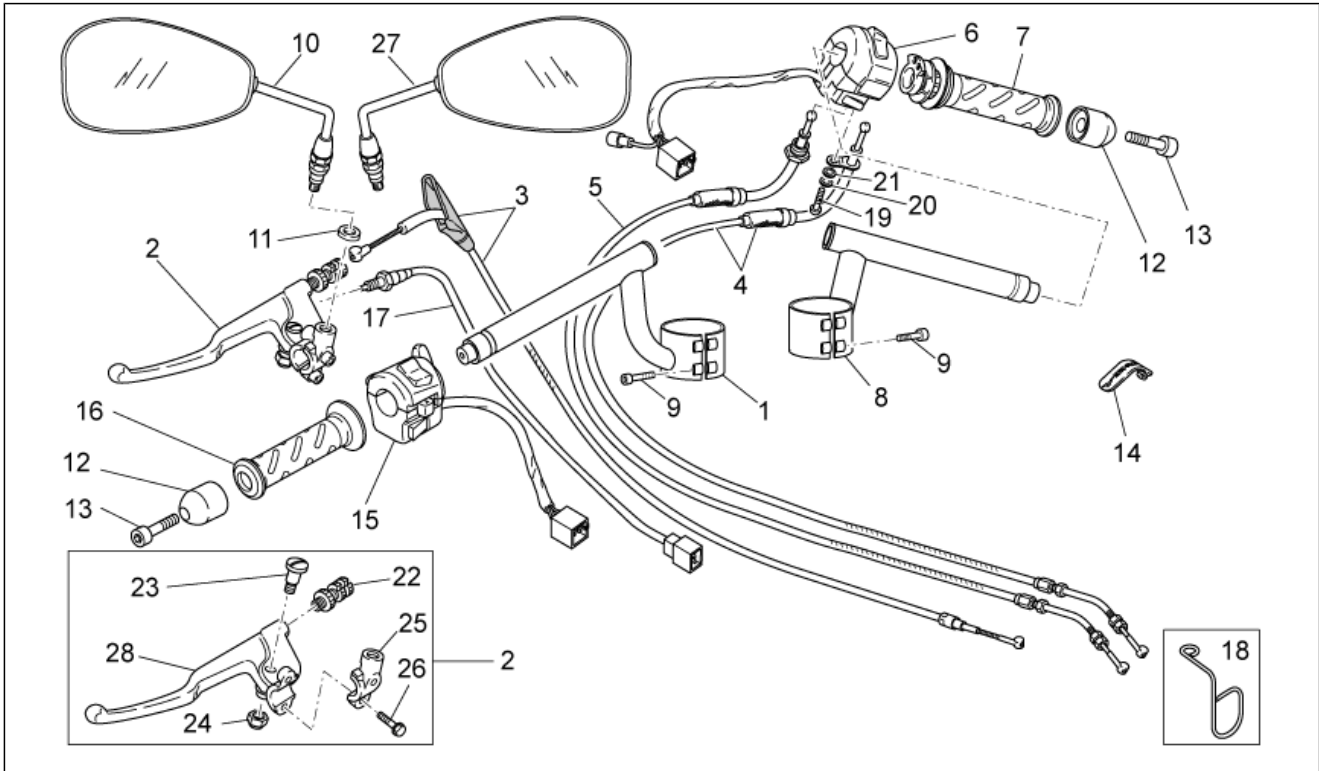
Pos.	Code	Description	Qty	Variants
1	887195	Dashboard complete MPH	1	
2	GU98370609	Hex socket screw M6x10	3	
3	GU95005306	Washer 6,4x13x1,5	3	
4	GU93222023	Silent-block	3	
5	GU95021206	Washer	3	
6	GU92606206	Nut	3	
7	AP8121032	Bush	3	
8	2B001101	Instrument frame	1	
9	2D000022	Tell tale lamp MGCT	1	
10	2D000021	Tell tale lamp ABS	1	
11	GU98692414	screw M8x14	2	

<b>Group</b>	FRAME
<b>Code</b>	33.18
<b>Description</b>	Handlebar - Controls
<b>Service</b>	1



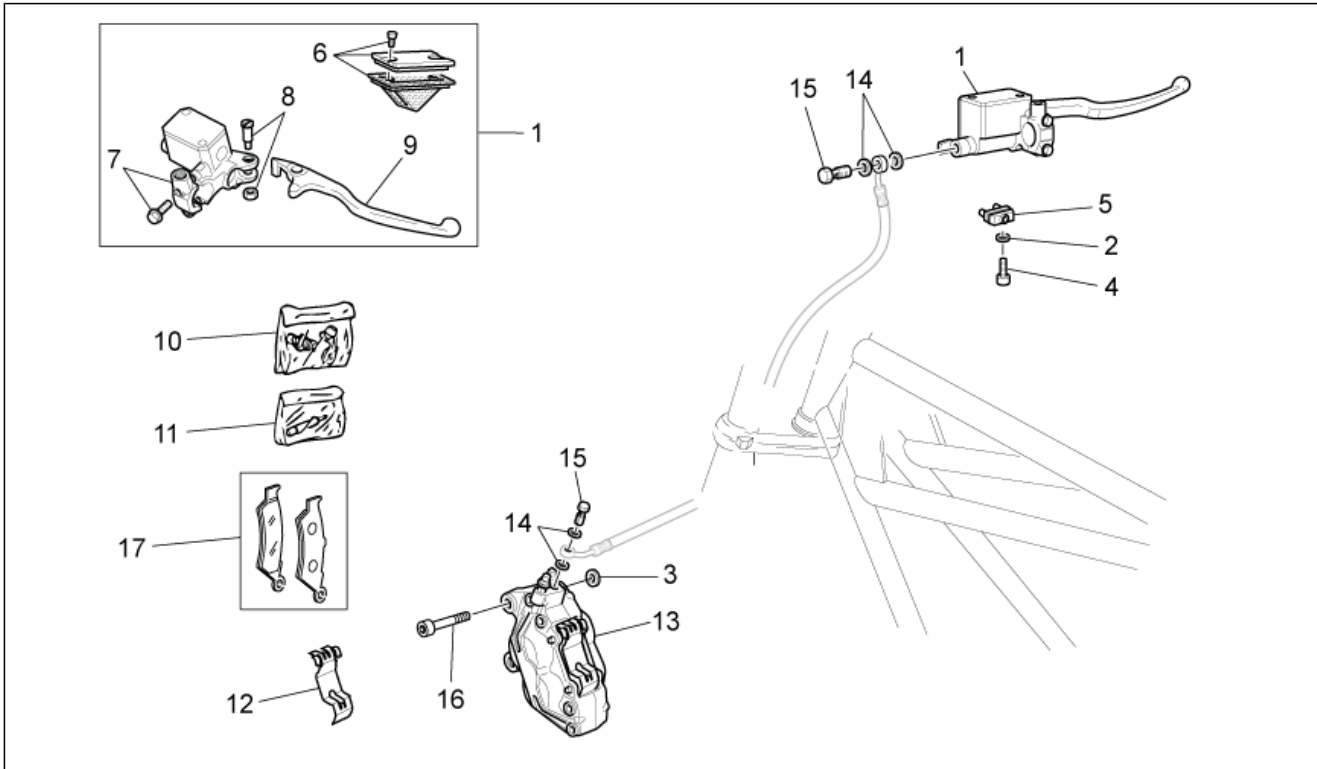
Pos.	Code	Description	Qty	Variants
1	B063317	Left half handlebar	1	
2	2B001300	Clutch lever cpl.	1	
3	2B001201	Clutch cable	1	
4	B063247	Gas trasmission delivery	1	
5	B063248	Gas trasmission return	1	
6	B063135	RH lights selector	1	
7	GU32603310	RH hand grip	1	
8	B063326	Right half handlebar	1	
9	GU98692325	Hex socket screw M6x25	4	
10	2B001049	LH rearview mirror	1	
11	GU91181003	Spacer 10,25X20X4	2	
12	GU32602860	Anti.v weight, chr.	2	
13	GU98690335	Hex socket screw	2	
14	GU01609630	Hose clamp L46 mm	2	
14	GU03609600	Hose clamp L36 mm	1	
15	B063975	LH lights selector	1	
16	GU32603010	LH hand grip	1	
17	GU29759150	Lateral stand switch	1	
18	AP8221172	Cable-guide	1	
19	GU98230510	Hex socket screw	1	
20	GU95008305	Washer 5,3X10X1	1	
21	GU95021105	Notched washer	1	
22	GU30602500	Register	1	
23	AP8213028	screw	1	
24	AP8118490	Nut	1	
25	GU30601060	Clump	1	
26	GU97202325	Black screw w/ flange M6x25	2	
27	2B001048	RH rearview mirror	1	

<b>Group</b>	FRAME
<b>Code</b>	33.18
<b>Description</b>	Handlebar - Controls
<b>Service</b>	1



Pos.	Code	Description	Qty	Variants
28	2B001998	Clutch control lever	1	

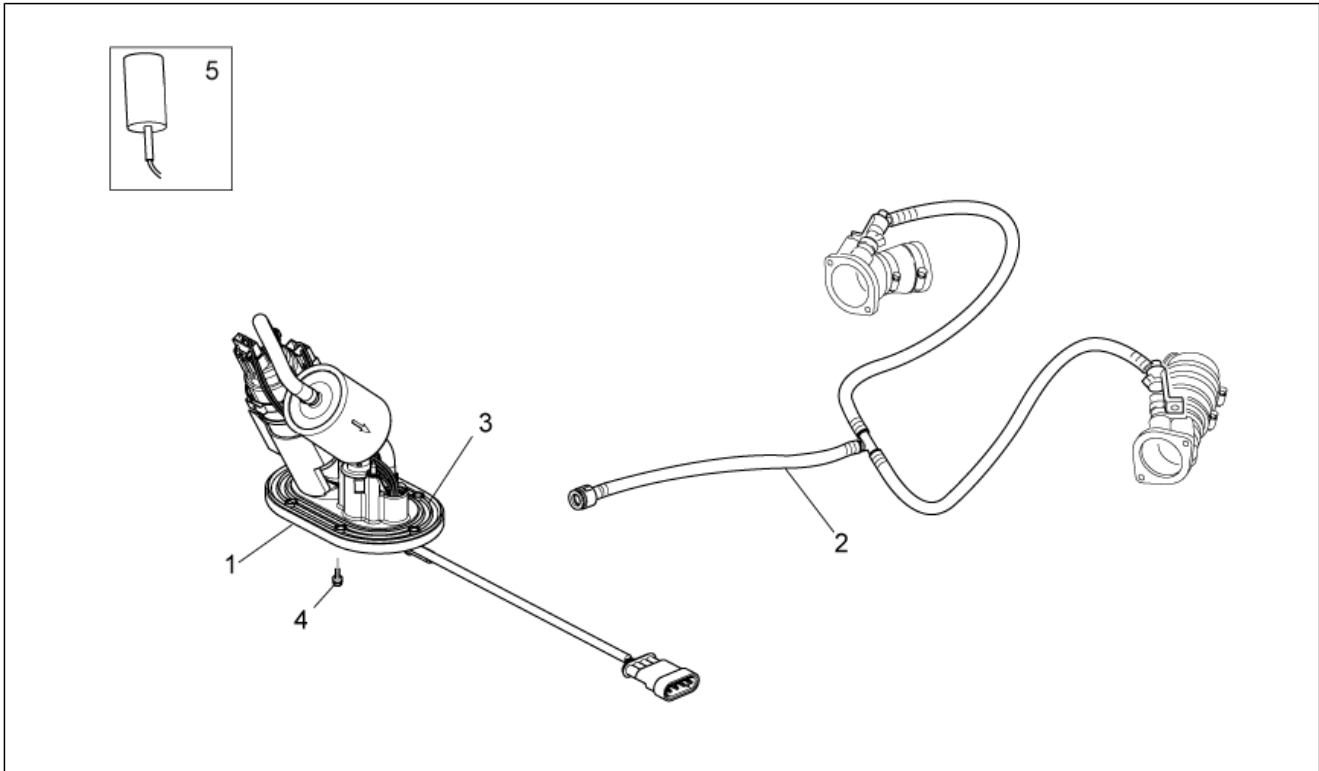
<b>Group</b>	FRAME
<b>Code</b>	33.19
<b>Description</b>	Front brake system
<b>Service</b>	1



Pos.	Code	Description	Qty	Variants
1	2B001199	Front master cilinder	1	
2	GU95021104	Washer 4,3x8x1,5	1	
3	GU91181003	Spacer 10,25X20X4	2	
4	AP8152043	Hex socket screw M4x10	1	
5	GU03749845	Stop switch	1	
6	2B001928	Pump cover	1	
7	2B001929	Bracket	1	
8	2B001927	Lever pin cpl.	1	
9	2B001926	Brake lever	1	
10	GU05659230	Bleeder+cap	1	
11	GU01659130	Pins+Caliper springs	1	
12	GU01659131	Spring	1	
13	2B001197	Front disk brake caliper l.h.	1	
14	AP8113004	Washer 10x14x1,6*	4	
15	AP8113003	Oil pipe screw	2	
16	AP8152385	Hex socket screw M10x1,25	2	
17	883673	Pads pair	1	

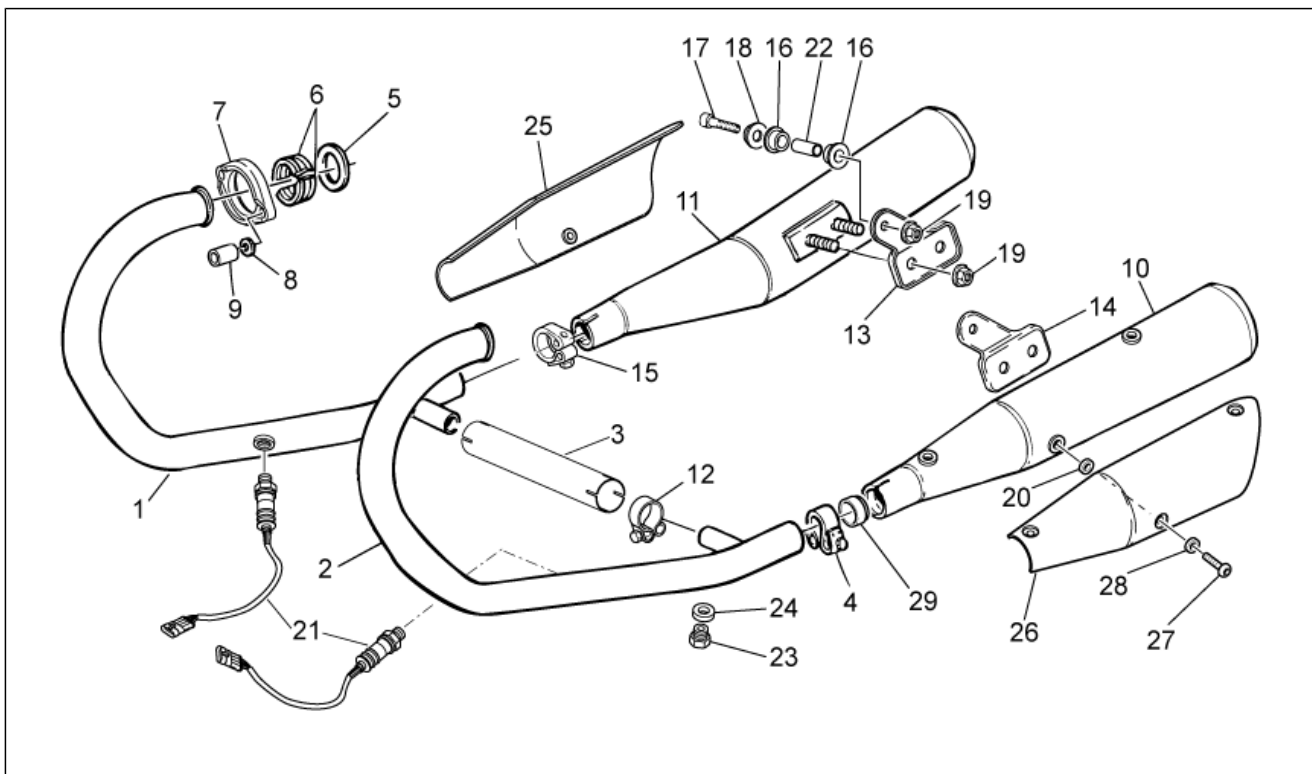


<b>Group</b>	FRAME
<b>Code</b>	33.21
<b>Description</b>	Fuel pump
<b>Service</b>	1



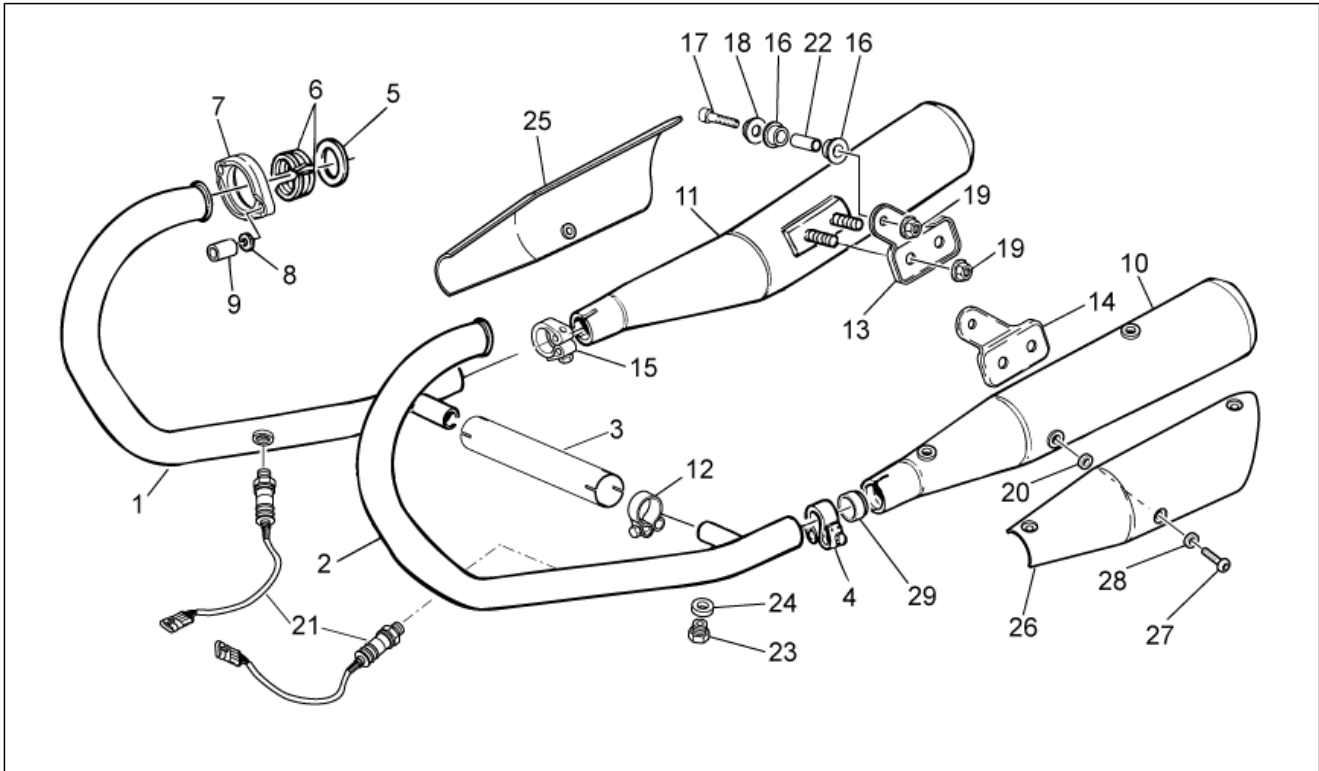
Pos.	Code	Description	Qty	Variants
1	B063752	Fuel pump	1	
2	2B001342	Fuel pipe	1	
3	GU05107430	Gasket	1	
4	AP8152273	Screw w/ flange M5x15	6	
5	887787	Fuel level sensor	1	

<b>Group</b>	FRAME
<b>Code</b>	33.23
<b>Description</b>	Exhaust unit
<b>Service</b>	1



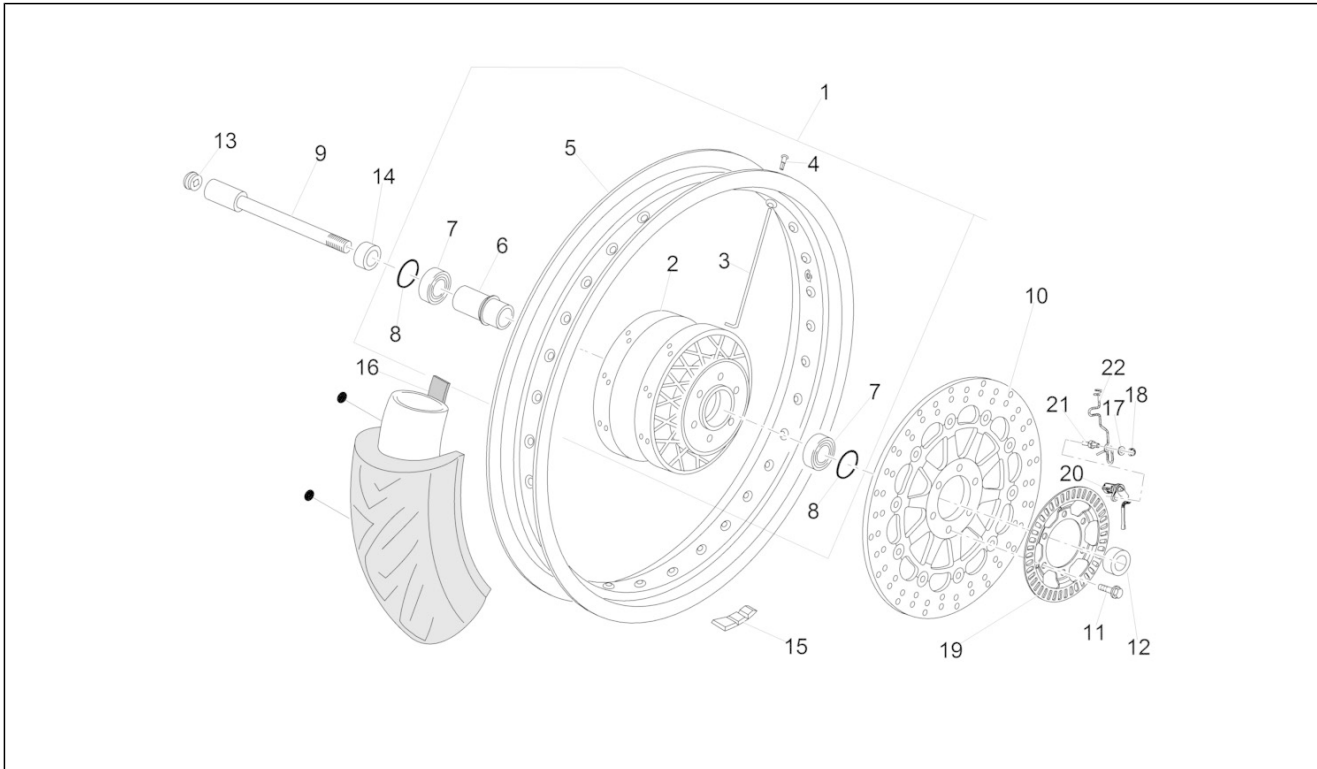
Pos.	Code	Description	Qty	Variants
1	2B000995	RH exhaust manifold	1	
2	2B000996	LH exhaust manifold	1	
3	B063022	Exhaust manifold union	1	
4	978387	LH silencer clamp	1	
5	GU19025280	Gasket	2	
6	GU19025460	Spacer	4	
7	GU32121010	Ring nut	2	
8	GU03013800	Washer 6,4x12	4	
9	GU31121880	Nut	4	
10	2B002072	LH silencer	1	
11	2B002071	RH silencer	1	
12	978385	Hose clamp	2	
13	GU32128610	RH plate	1	
14	GU32129010	LH plate	1	
15	978386	RH silencer clamp	1	
16	AP8144071	Rubber exhaust	4	
17	GU98690440	screw M8x40	2	
18	AP8134378	Silencer fixing bush	2	
19	GU92640508	Nut M8	6	
20	AP8120870	Insulating washer	6	
21	896110	Lambda sensor l.660 mm	2	
22	AP8121072	Spacer	2	
23	GU98110007	Cover	2	
24	GU30109330	Gasket	2	
25	GU32121910	RH protection	1	
26	GU32121911	LH protection	1	
27	884043	Screw w/ flange M6x12	6	
28	GU95005306	Washer 6,4x13x1,5	6	

<b>Group</b>	FRAME
<b>Code</b>	33.23
<b>Description</b>	Exhaust unit
<b>Service</b>	1



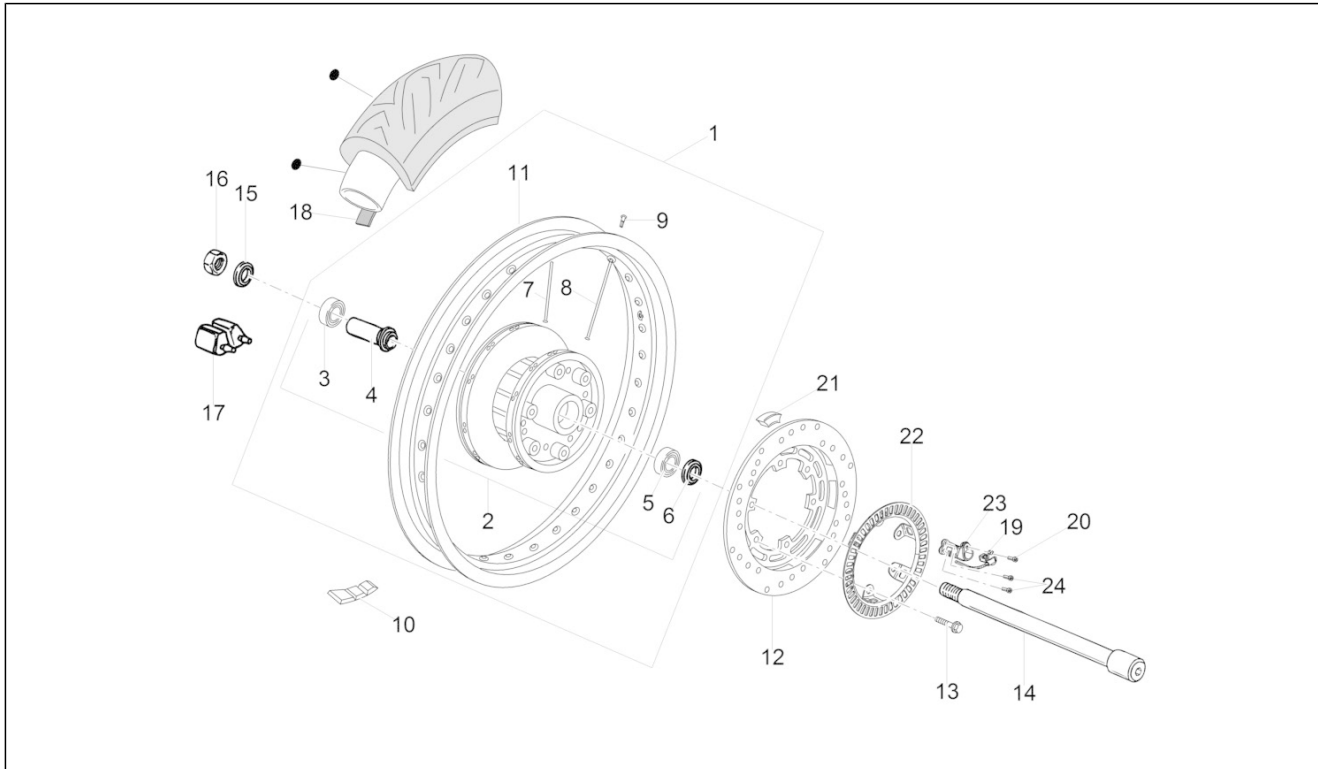
Pos.	Code	Description	Qty	Variants
29	GU91113826	Bushing	2	

<b>Group</b>	FRAME
<b>Code</b>	33.24
<b>Description</b>	Front wheel
<b>Service</b>	1



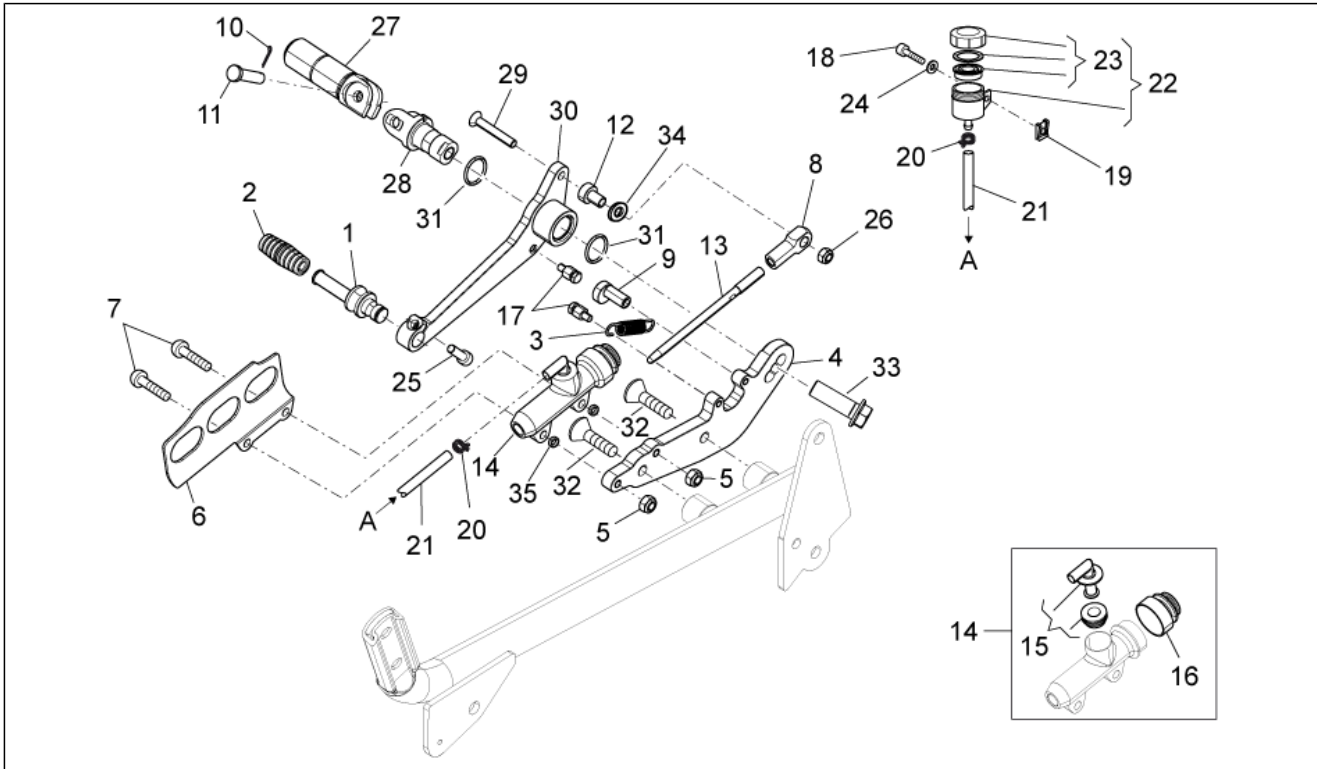
Pos.	Code	Description	Qty	Variants
1	B063265	Front wheel	1	
2	886681	Front hub	1	
3	B063144	Front wheel spoke	36	
4	GU03631250	Nipples	36	
5	B063077	Black front rim 2.5X18"	1	
6	GU31615260	Spacer	1	
7	GU92204221	Bearing	2	
8	GU90402642	Gasket ring	1	
9	GU31614183	Front wheel spindle	1	
10	883688	Front brake disc 320	1	
11	887762	Flanged TE screw M8x22	6	
12	GU31616384	LH spacer	1	
13	GU93180111	Cover 15 mm	1	
14	GU32615660	RH spacer	1	
15	GU14616150	Counterweight	1	
16	GU03612040	Tyre flap	1	
17	AP8150178	Washer 6,4x12,5*	1	
18	GU92630207	Nut	1	
19	887875	Phonic wheel	1	
20	1D0001275	ABS front sensor	2	
21	2B001708	Spacer	1	
22	2B001561	Fairlead	1	

<b>Group</b>	FRAME
<b>Code</b>	33.25
<b>Description</b>	Rear wheel
<b>Service</b>	1



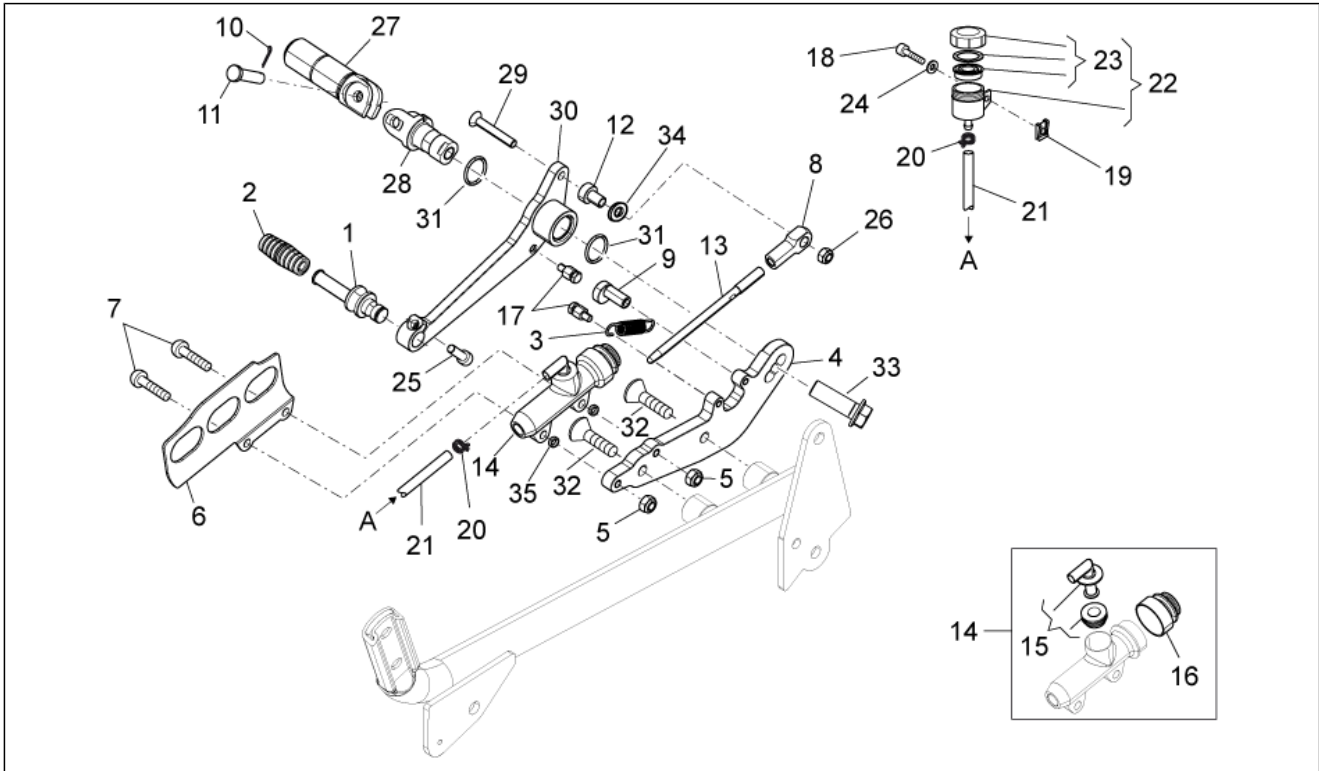
Pos.	Code	Description	Qty	Variants
1	B063267	Rear wheel 3,5"x17"	1	
2	886711	Rear hub	1	
3	GU92204218	Bearing	1	
4	GU27633910	Spacer	1	
5	GU92204217	Bearing	1	
6	GU90402538	Gasket ring 25x40x7	1	
7	883350	Short spoke	18	
8	883349	Long spoke mm 158	18	
9	GU03631250	Nipples	36	
10	GU14616150	Counterweight	1	
11	B063078	Rear wheel 3,5"x17" Black	1	
12	887448	Brake disc	1	
13	AP8152286	Screw w/ flange M8x20	6	
14	GU32633360	Rear wheel spindle	1	
15	GU31634481	Washer	1	
16	GU92606316	Nut M16x1,5	1	
17	GU32632510	Rubber coupling	6	
18	GU28612033	Tyre flap	1	
19	1D0001275	ABS front sensor	2	
20	GU98612216	Hex socket screw	1	
21	GU32636160	Support rubber part	1	
22	2B000225	Phonic wheel	1	
23	2B000377	Sensor support ABS	1	
24	GU98682312	Hex socket screw M6x12	2	

<b>Group</b>	FRAME
<b>Code</b>	33.26
<b>Description</b>	Rear master cylinder
<b>Service</b>	1



Pos.	Code	Description	Qty	Variants
1	886665	Pin	1	
2	AP8120912	Lever rubber	1	
3	AP8121927	Rear brake lever spring	1	
4	898288	Rider footrest plate	1	
5	GU92630206	Nut M6x1	2	
6	GU01665410	Brake m.cyl.protection, black	1	
7	GU98370625	Hex socket screw	2	
8	GU18257551	Block	1	
9	886666	Bush	1	
10	GU95401215	Split pin	1	
11	GU23442210	Pin	1	
12	898287	Lever pin	1	
13	2B001597	Master cylinder rod	1	
14	2B000508	Rear master cylinder	1	
15	AP8213057	Rear brake pump union	1	
16	AP8113288	Rubber bellows	1	
17	898286	Springs fixing pin	2	
18	AP8152298	Screw w/ flange M5x16	1	
19	248419	Spring plate m5	1	
20	AP8101594	Hose clamp D10,1*	2	
21	GU00823950050	Oil pipe	1	
22	AP8133873	Brake oil tank complete	1	
23	AP8113553	Tank cap	1	
24	GU95100059	Washer 5,25x14x1,5	1	
25	AP8150044	Hex socket screw M6x20	1	
26	GU92630206	Nut M6x1	1	
27	898281	Driver's footpeg	1	
28	898612	RH front footrest bracket	1	

<b>Group</b>	FRAME
<b>Code</b>	33.26
<b>Description</b>	Rear master cylinder
<b>Service</b>	1



Pos.	Code	Description	Qty	Variants
29	AP8150468	Screw M6x40	1	
30	898285	Brake lever	1	
31	AP9100477	O-ring 18x2	2	
32	GU98252420	Screw M8x20	2	
33	AP8152320	Screw w/ flange	1	
34	GU03270300	Washer 8,4x15	1	
35	AP8134640	Air box spacer	2	

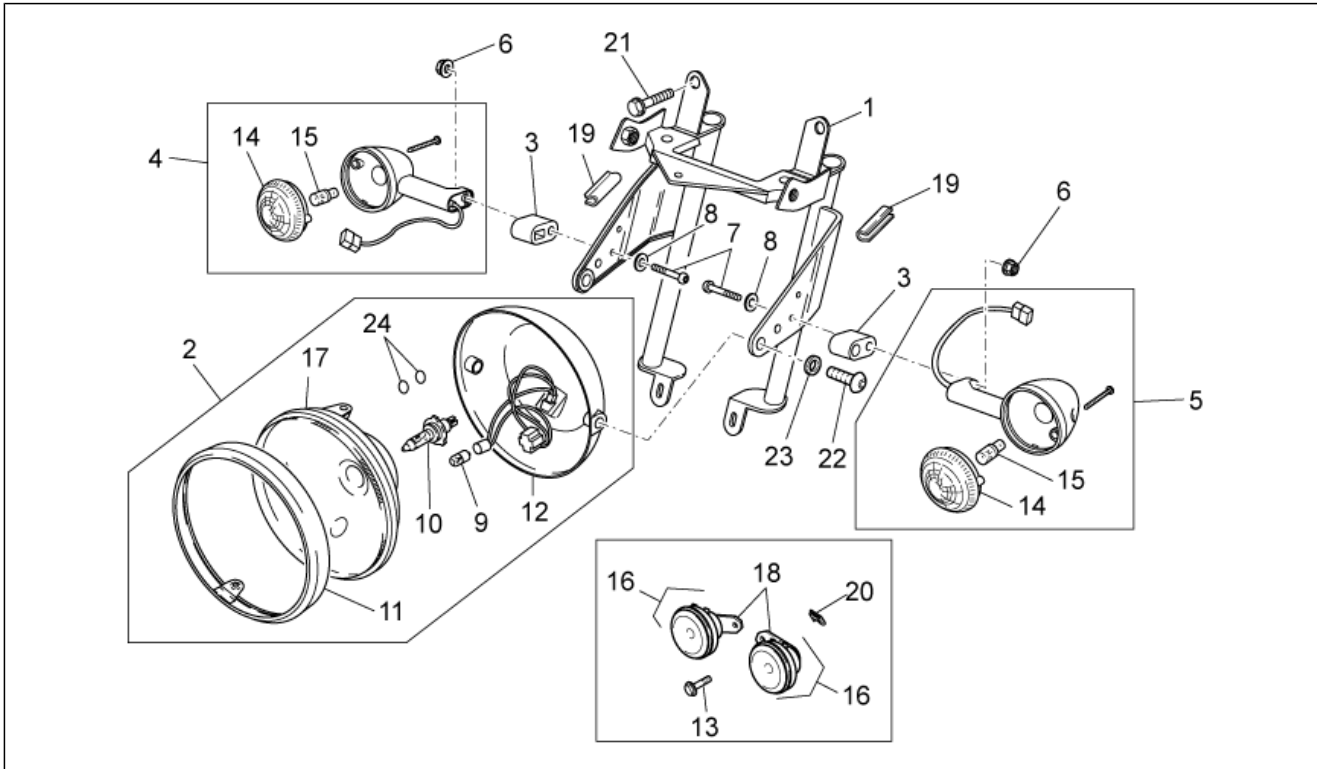
<b>Group</b>	FRAME
<b>Code</b>	33.27
<b>Description</b>	Rear brake caliper
<b>Service</b>	1



Pos.	Code	Description	Qty	Variants
1	2B000229	Brake caliper support plate	1	
2	GU31634281	Bushing	1	
3	GU31544181	Pin	1	
4	AP8152288	Screw w/ flange	2	
5	GU32634160	Spacer	1	
6	2B000525	Rear brake caliper	1	
7	2B001282	Brake pad	1	
8	GU31659281	Bleeder+cap	1	
9	GU31659181	Pins+spring kit	1	

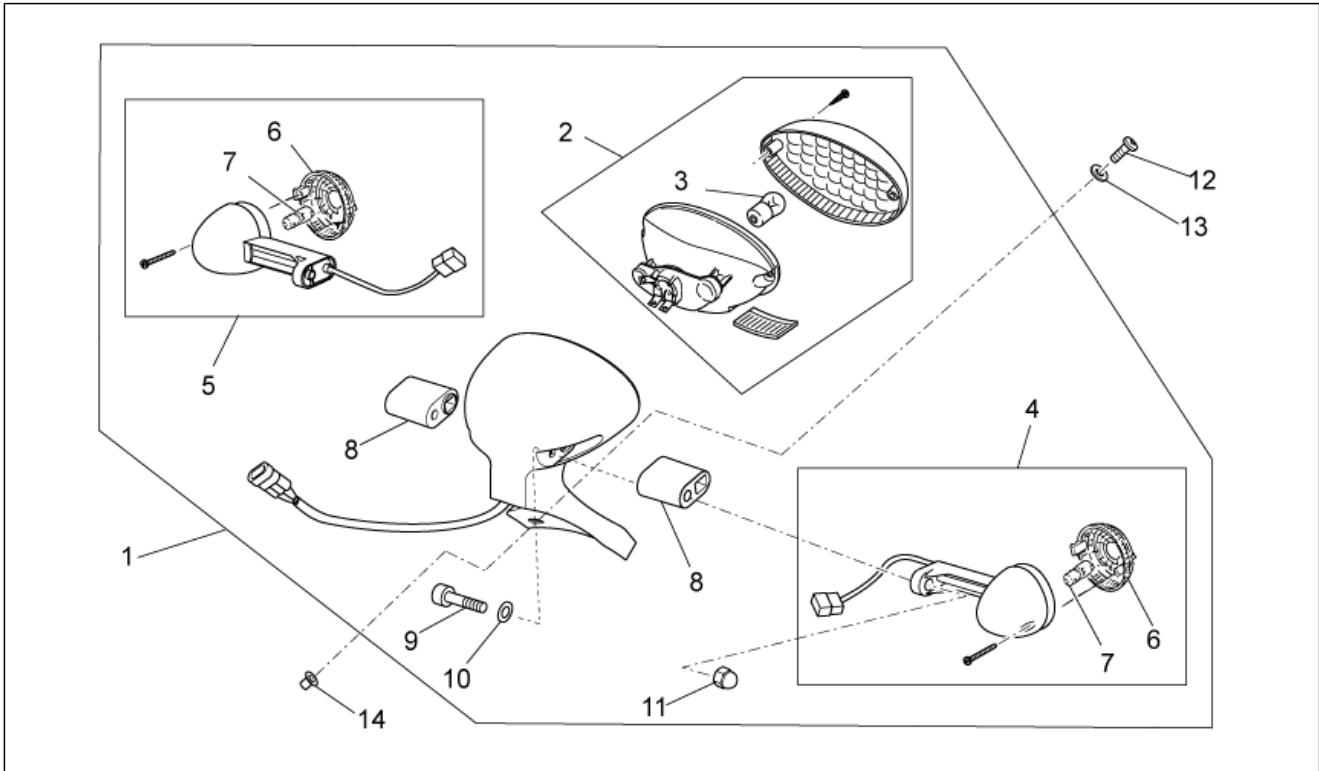


<b>Group</b>	FRAME
<b>Code</b>	33.28
<b>Description</b>	Front lights
<b>Service</b>	1



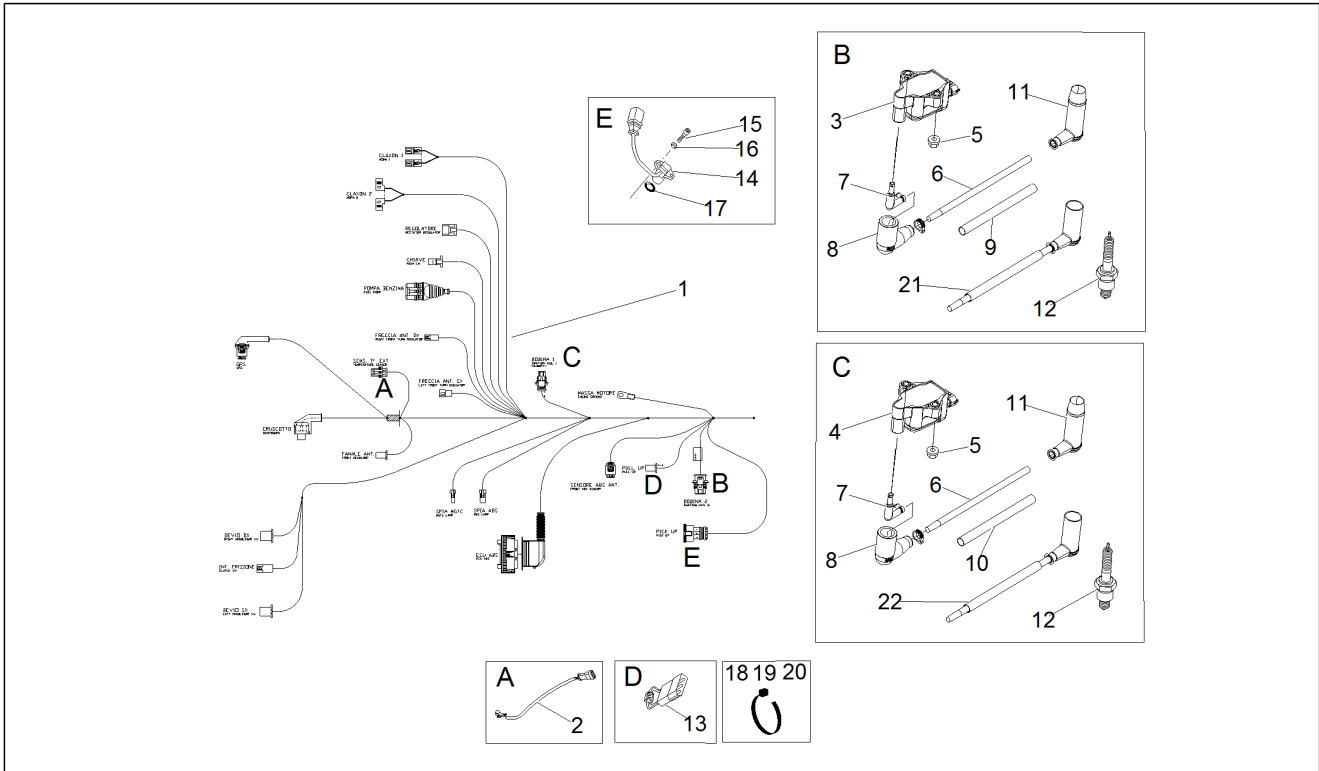
Pos.	Code	Description	Qty	Variants
1	GU32506360	Headlight support clamp	1	
2	978311	Headlight	1	
3	GU32753410	Spacer	2	
4	B063800	RH front/LH rear turn indic.	1	
5	B063801	LH front/RH rear turn indic.	1	
6	GU92787006	Cap nut M6x1	2	
7	GU98370655	Hex socket screw	2	
8	GU95021206	Washer	2	
9	292022	Lamp 12V-5W	1	
10	292723	Lamp H4 12V-60/55W	1	
11	640598	Chromed ring nut	1	
12	981149	Cap, black	1	
13	AP8152278	Screw w/ flange M6x16	2	
14	GU32753711	Turn indicator lens	2	
15	GU93450127	Lamp	2	
16	890979	Horn	2	
17	GU06740400	Light assembly	1	
18	GU01744200	Bracket	6	
19	GU00823931055	Gasket	1	
20	254485	Spring plate M6	2	
21	GU98880540	screw M10x40	2	
22	GU98692420	Hex socket screw M8x20	2	
23	AP8134378	Silencer fixing bush	2	
24	883417	O-ring	2	

<b>Group</b>	FRAME
<b>Code</b>	33.29
<b>Description</b>	Rear lights
<b>Service</b>	1



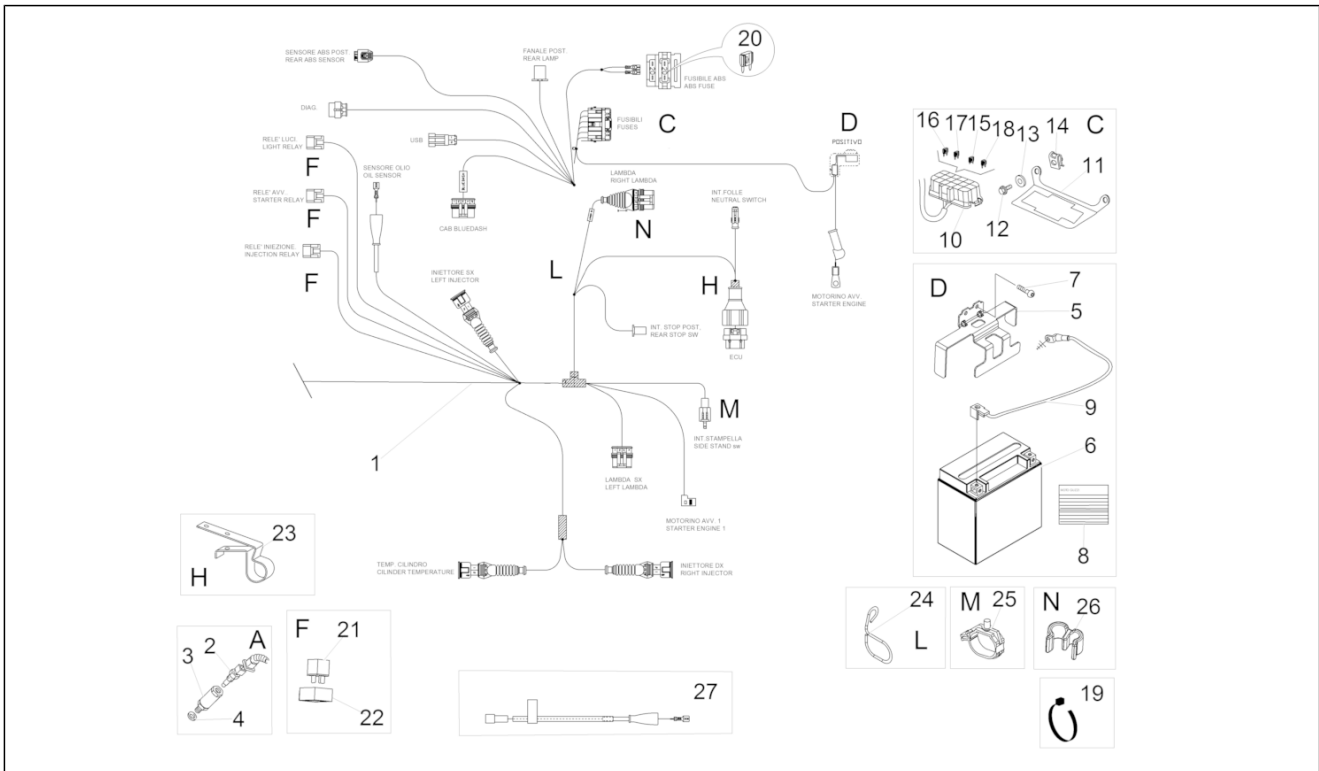
Pos.	Code	Description	Qty	Variants
1	2B001748	Taillight	1	
2	GU03740930	Taillight	1	
3	GU93450224	Lamp	1	
4	B063800	RH front/LH rear turn indic.	1	
5	B063801	LH front/RH rear turn indic.	1	
6	GU32753711	Turn indicator lens	1	
7	GU93450127	Lamp	2	
8	GU32753410	Spacer	2	
9	GU98370655	Hex socket screw	2	
10	GU95021206	Washer	2	
11	GU92787006	Cap nut M6x1	2	
12	GU98350215	Hex socket screw	3	
13	GU30577800	Nylon washer 5,5X12X1	3	
14	GU93231605	Antivibration bush	3	

<b>Group</b>	FRAME
<b>Code</b>	33.30
<b>Description</b>	Electrical system I
<b>Service</b>	1



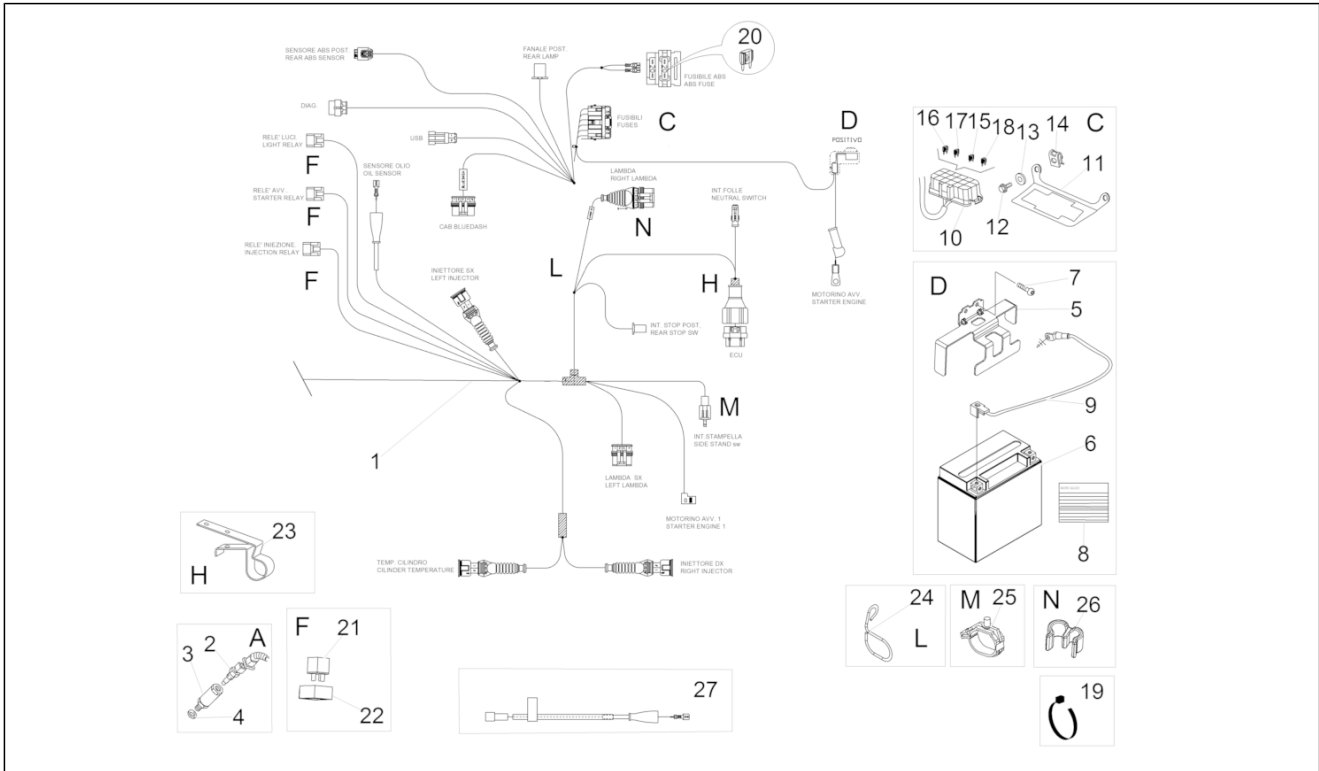
Pos.	Code	Description	Qty	Variants
1	2D000108	Main wiring harness	1	
2	AP8124936	Air temp. Sensor	1	
3	642034	HT coil DX	1	
4	641901	HT coil	1	
5	AP8152299	Self-locking nut M6	4	
6	080341	H.V. cable	2	
7	641725	HV terminal	2	
8	641040	Insulating cap	2	
9	CM0074D0	Sheath D.8-S.0,5-L.370	1	
10	CM0074C9	Grey cable casing D.8-S.0,5-L.435	1	
11	2D000005	Spark plug cap	2	
11	2D000205	Sparkplug cap	2	
11	2D000247	Sparkplug cap	1	
12	887481	Spark plug NGK CPR8EB-9	2	
13	887948	Diode	1	
14	832029	Encoder sensor	1	
15	GU98682212	Hex socket screw M5x12	2	
16	GU95008205	Washer 5,3x10x0,8	2	
17	GU90706141	O-ring	1	
18	AP8120416	Black hose 178x4	1	
19	GU49609601	Hose clamp 2,4x92	1	
20	GU14609650	Hose clamp 3,6x20,6	31	
21	2D000207	HT wire L=470	1	
22	2D000206	HT wire L=580	1	

<b>Group</b>	FRAME
<b>Code</b>	33.31
<b>Description</b>	Electrical system II
<b>Service</b>	1



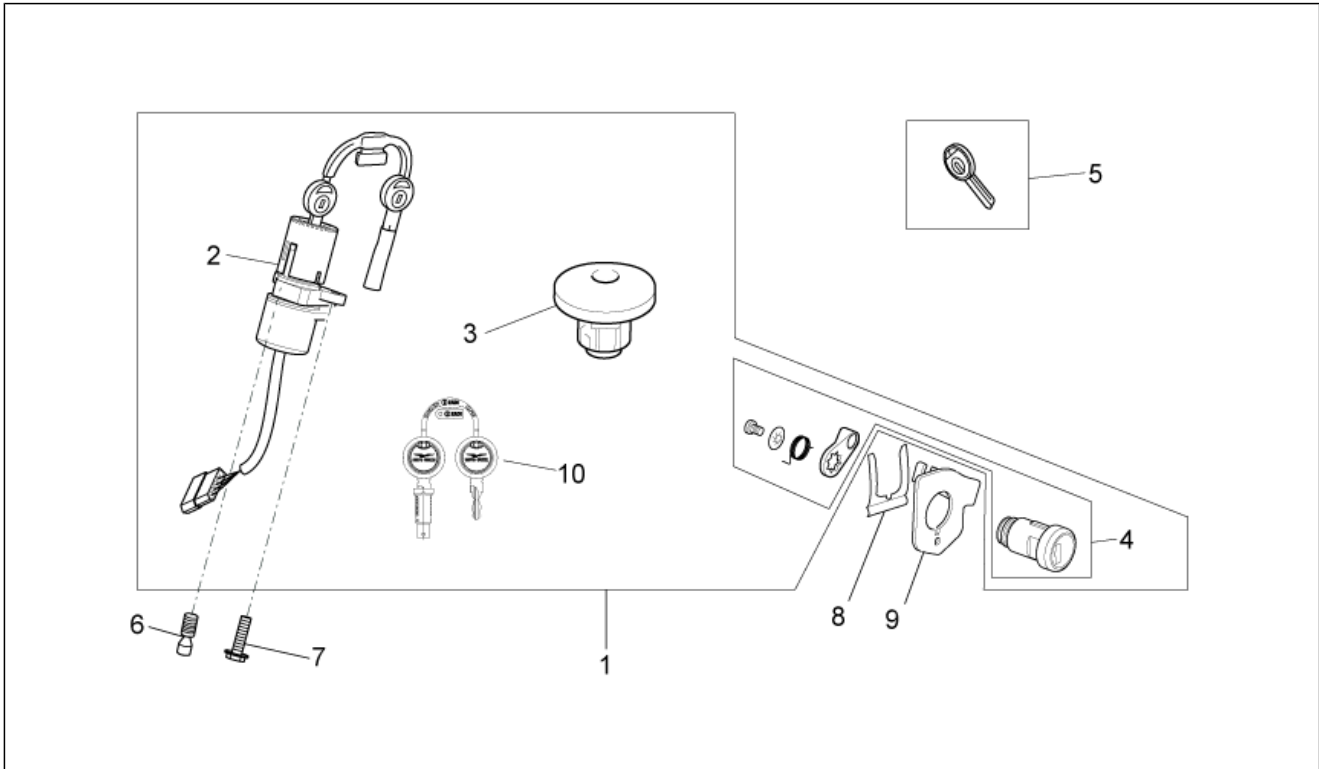
Pos.	Code	Description	Qty	Variants
1	2D000108	Main wiring harness	1	
2	GU29729461	Oil temperature sensor	1	
3	GU03163330	Sensor support	1	
4	GU95008210	Washer 10,2X18X2	4	
5	B063233	Battery bracket	1	
6	638733	Battery Yuasa 12V-12Ah (150x85x145)	1	
7	AP8152282	Screw w/ flange M6x35	2	
8	GU32517710	Decal "Battery service"	1	
9	GU32747910	Ground-battery lead	1	
10	584211	Fuse holder box	1	
11	883161	Fuse block support	1	
12	GU98682212	Hex socket screw M5x12	2	
13	GU95100059	Washer 5,25x14x1,5	2	
14	AP8102375	Clip m5	2	
15	CM225705	Fuse 5A	2	
16	CM225710	Fuse 10A	1	
17	CM225715	Fuse 15A	2	
18	CM225730	Fuse 30A	1	
19	AP8120416	Black hose 178x4	1	
19	GU14609650	Hose clamp 3,6x20,6	21	
19	GU49609601	Hose clamp 2,4x92	1	
20	CM225720	Fuse 20A	1	
21	AP8224462	Relay 12V-30A	3	
22	AP8220283	Rubber spacer *	3	
23	B043850	Hose clamp	1	
24	AP8181140	Fairlead	1	
25	CM013202	Pipes/cables retainer spring	1	
26	894704	Fairlead	1	

<b>Group</b>	FRAME
<b>Code</b>	33.31
<b>Description</b>	Electrical system II
<b>Service</b>	1



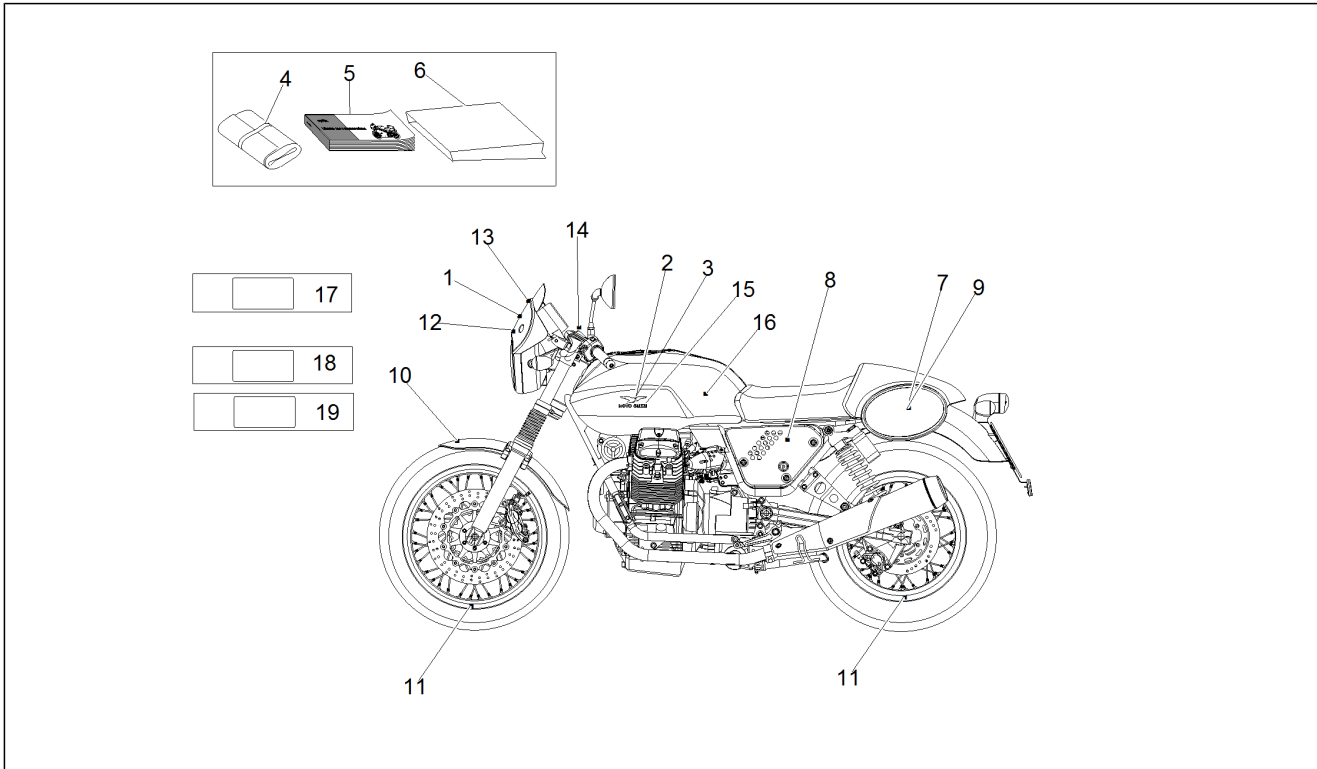
Pos.	Code	Description	Qty	Variants
27	2D000202	Oil pressure wiring	1	

<b>Group</b>	FRAME
<b>Code</b>	33.32
<b>Description</b>	Lock hardware kit
<b>Service</b>	1



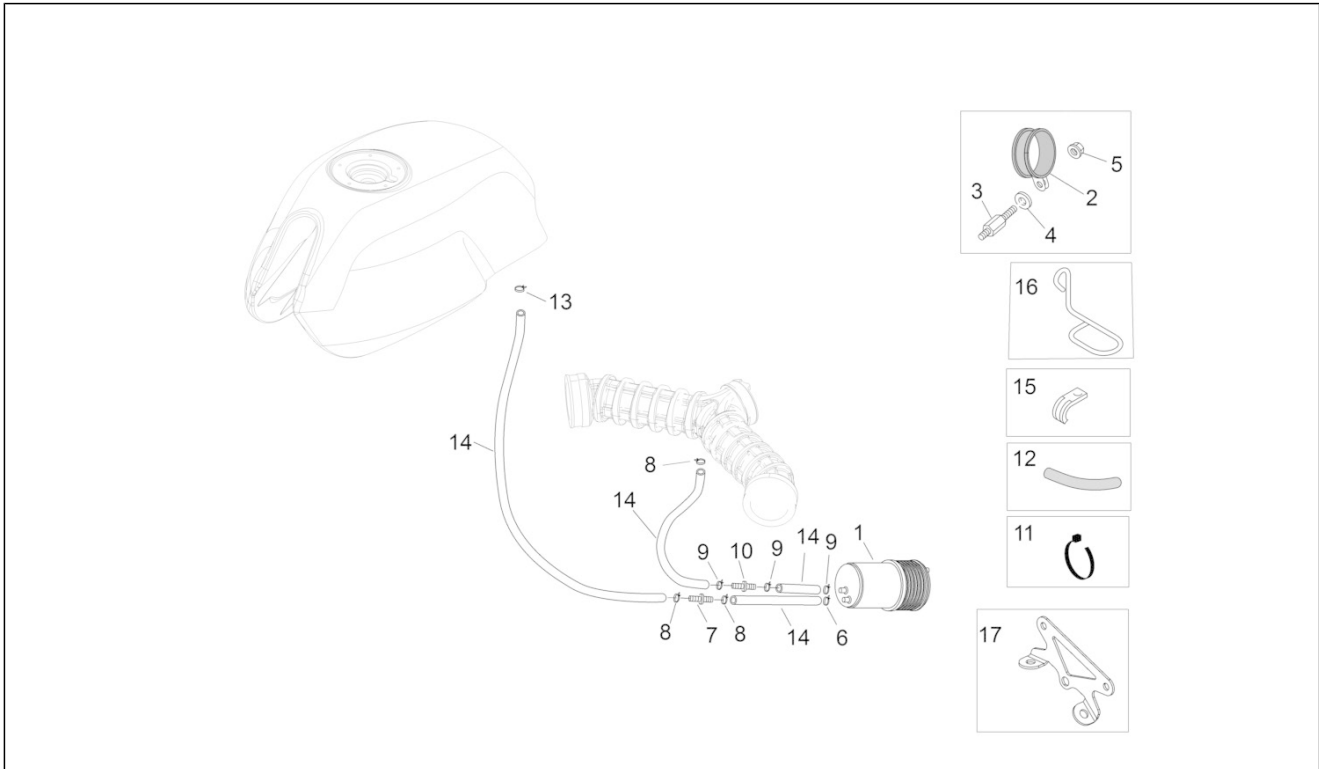
Pos.	Code	Description	Qty	Variants
1	883477	Lock kit	1	
2	GU32782510	Ignition lock with key	1	
3	883476	Tank cap	1	
4	977527	Locking complete with keys	1	
5	GU32735510	Non indent.key blank-shell go	1	
6	AP8150349	Special screw M8x15	1	
7	GU98682416	Hex socket screw M8x16	1	
8	AP8121420	Fork spring	1	
9	978415	Cable fixing plate	1	
10	2D000006	Locking cylinder with key for fuel cap	1	

<b>Group</b>	FRAME
<b>Code</b>	33.33
<b>Description</b>	Decal and plate set
<b>Service</b>	1



Pos.	Code	Description	Qty	Variants
1	2H000425	Windshield decal	1	
2	898174	Sticker RH "Aquila"	1	
3	886678	Sticker LH "Aquila"	1	
4	887443	Toolkit	1	
5	2Q000057	Operator's handbook ENUS-FR-ES-IT	1	
6	GU05900130	Bag for document	1	
7	2H000426	Black decal dx-sx	1	Vehicle colour:Chromed[CR]
7	2H001196	RH decal numbers	1	Vehicle colour:Grey/Black 2016[G/N]
8	2H000726	Decal V7 II Racer	2	
9	2H000427	Right-left tail fairing decal	2	Vehicle colour:Chromed[CR]
9	2H001197	LH decal numbers	1	Vehicle colour:Grey/Black 2016[G/N]
10	886141	Decal "Aquila"	1	
11	887971	Decal "Moto Guzzi"	4	
12	2H000424	Lower thread decal	1	Vehicle colour:Chromed[CR]
12	886638	Red line sticker	1	Vehicle colour:Grey/Black 2016[G/N]
13	2H000423	Upper thread decal	1	Vehicle colour:Chromed[CR]
13	886637	Red line sticker	1	Vehicle colour:Grey/Black 2016[G/N]
14	2H000727	Handlebar disc plate	1	Vehicle colour:Chromed[CR]
14	2H001215	Handlebar disc plate	1	Vehicle colour:Grey/Black 2016[G/N]
15	2H000430	RH-LH plate "Moto Guzzi"	2	
16	2H001198	Fuel tank strip decal.	1	Vehicle colour:Grey/Black 2016[G/N]
17	2G000073	Emission control sticker	1	
18	2G000072	Noise emission sticker	1	
19	2G000074	Shed scheme decal	1	

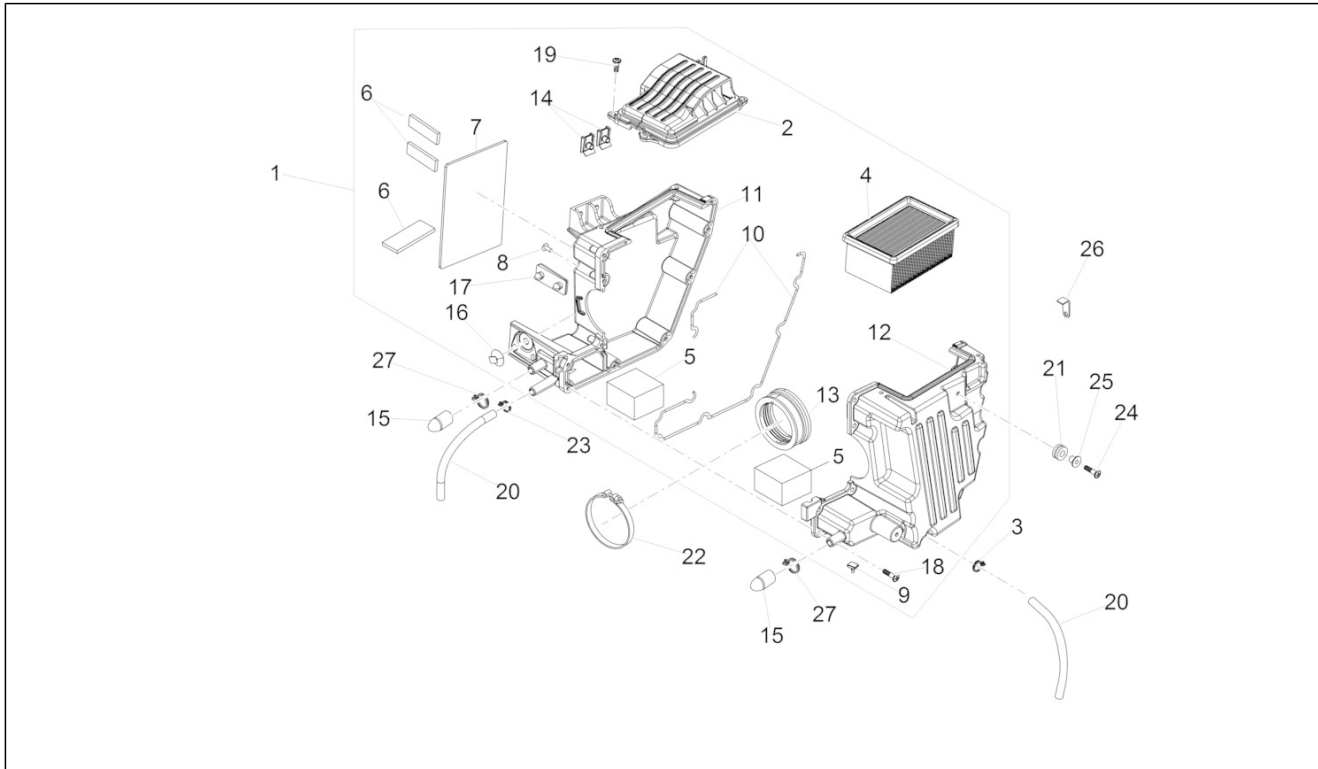
<b>Group</b>	FRAME
<b>Code</b>	33.51
<b>Description</b>	Fuel vapour recover system
<b>Service</b>	1



Pos.	Code	Description	Qty	Variants
1	AP8102678	Carbon filter	1	
2	AP8102688	Hose clamp d.76	1	
3	GU32439260	Canister support USA	1	
4	GU95005311	Washer	1	
5	AP8152299	Self-locking nut M6	1	
6	AP8102159	Hose clamp	1	
7	860138	Valve	1	
8	GU28157950	Hose clip 12,5x8	4	
9	AP8120446	Hose clip, green D11x6,6x1	2	
10	AP8121267	Choke hold	1	
11	AP8120416	Black hose 178x4	1	
12	GU00823923140	Thermal sheath	4	
13	AP8201358	Hose clamp D 11,9	1	
14	856063	pipe SAE 30 d.12,7x6,35	3	
15	GU93301313	U-bolt	1	
16	AP8221114	Cable-guide	2	
17	2B002261	Canister support	1	

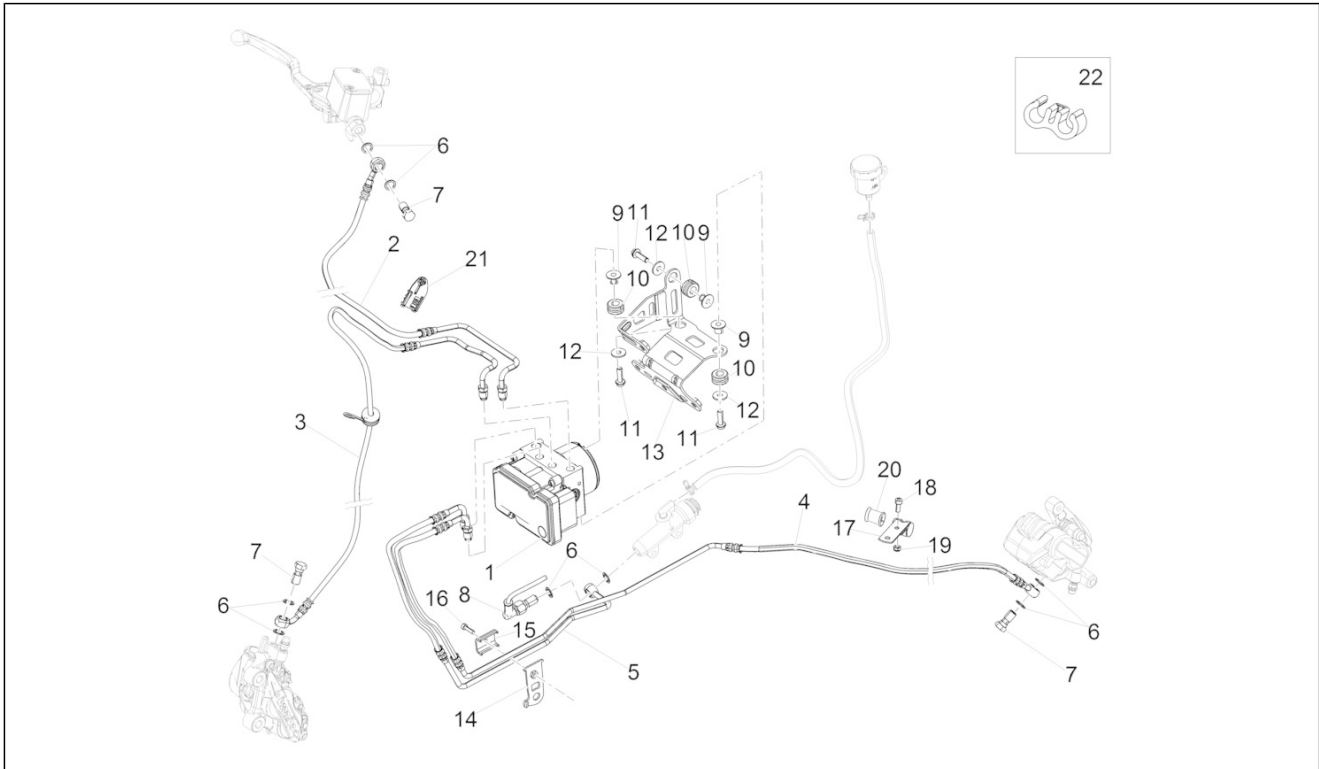


<b>Group</b>	FRAME
<b>Code</b>	33.52
<b>Description</b>	Air box II
<b>Service</b>	1



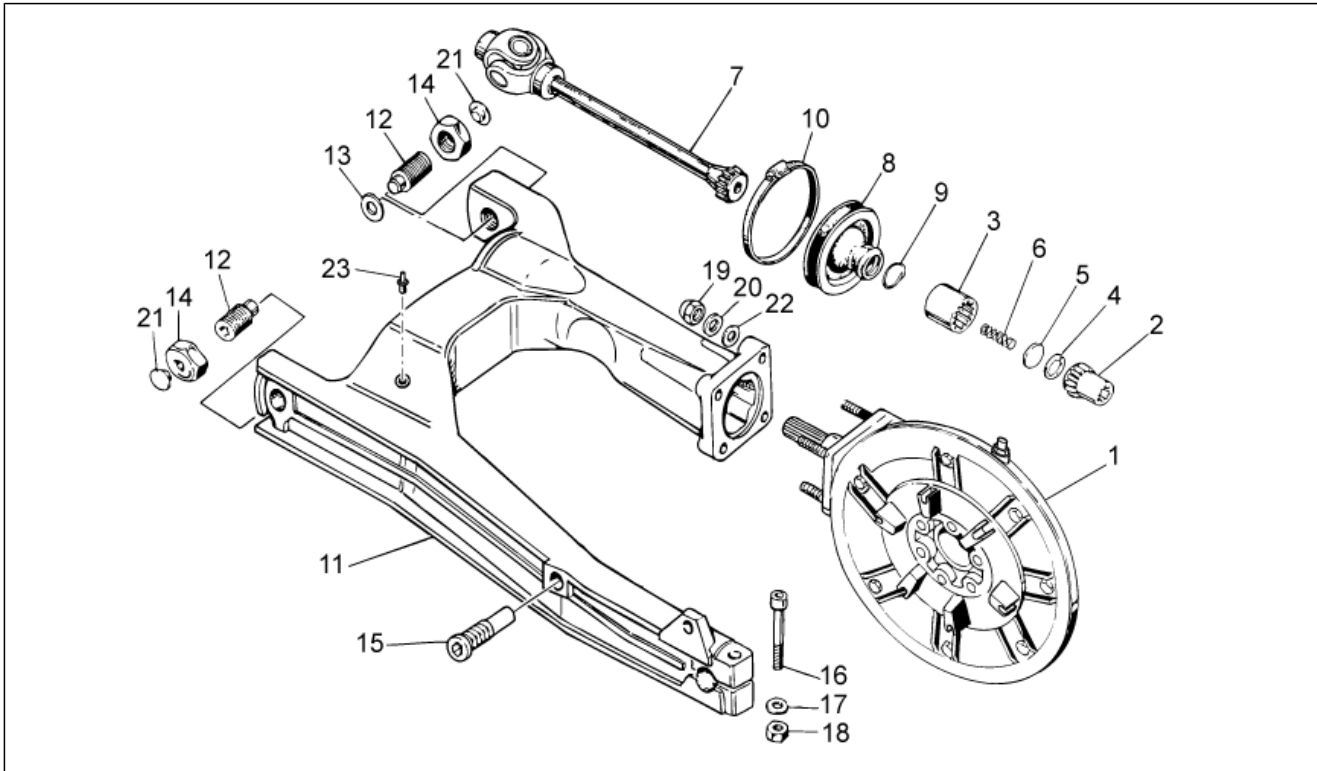
Pos.	Code	Description	Qty	Variants
1	8878421	Complete filter box	1	
2	887843	Air filter cover	1	
3	AP8201358	Hose clamp D 11,9	1	
4	AP8104924	Air filter	1	
5	AP8104525	Filter blow-by	2	
6	883127	Support rubber part 5 mm	1	
7	AP8144553	Support rubber part	1	
8	AP8120876	Plug	2	
9	AP8120455	Rubber spacer	1	
10	AP8120615	Gasket D3	2	
11	887844	Filter box right shell	1	
12	887845	Filter box left shell	1	
13	887815	Intake hose	1	
14	254485	Spring plate M6	2	
15	AP8161054	Cap	2	
16	890760	Instrument support	1	
17	AP8144729	Stand end stop	1	
18	AP8152329	Phillips screw, SWP M5x20	9	
19	AP8150509	Self-tap screw 5x14	4	
20	AP8120772	Breather pipe	1	
21	GU91551010	Rubber 10X20X10	2	
22	CM258303	Hose clamp 63	1	
23	AP8102766	Hose clamp	3	
24	AP8152329	Phillips screw, SWP M5x20	2	
25	AP8221023	T bush	2	
26	GU31112965	Square	1	
27	AP8102520	Hose clamp	2	

<b>Group</b>	FRAME
<b>Code</b>	33.53
<b>Description</b>	ABS Brake system
<b>Service</b>	1



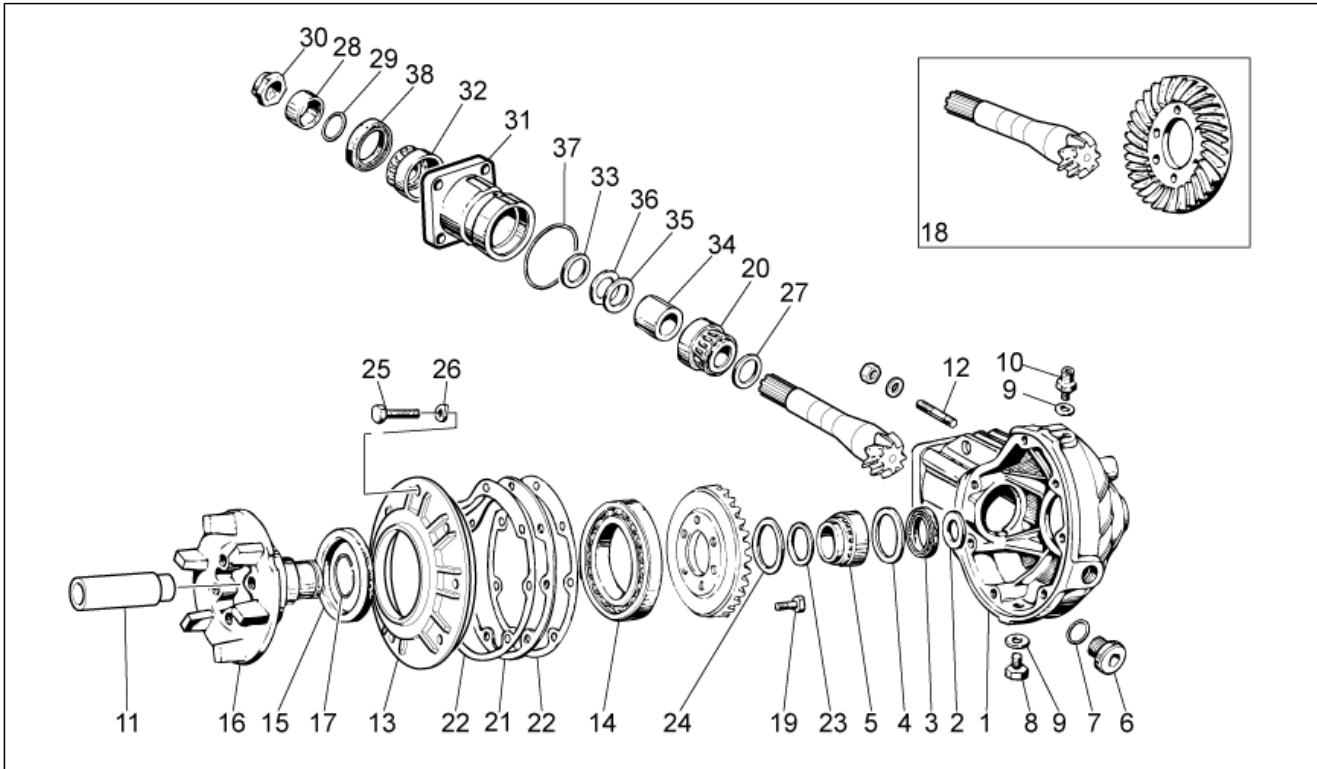
Pos.	Code	Description	Qty	Variants
1	2D000102	ABS control unit	1	
2	2B001258	Front brake pipe pump-Hecu ABS	1	
3	2B001558	ABS control unit front clamp pipe	1	
4	2B001556	ABS control unit rear clamp pipe	1	
5	2B001620	ABS control unit rear pump pipe	1	
6	AP8113004	Washer 10x14x1,6*	8	
7	AP8113003	Oil pipe screw	4	
8	854973	Stop switch	1	
9	AP8221023	T bush	3	
10	AP8120030	Rubber spacer	3	
11	AP8152279	Screw w/ flange M6x20	3	
12	AP8150015	Washer 6,6x18x1,6*	3	
13	2B001016	ABS control unit support	1	
14	2B001564	Brake hose holder plate	1	
15	2B001614	Pipe fixing plate	1	
16	959559	Hex socket screw M4x16	1	
17	GU03658330	Hose clamp	1	
18	895709	Hex socket screw M5x12	1	
19	AP8150451	Low self-locking nut	1	
20	GU03658201	Ring	1	
21	2B001570	Brake hose holder plate	1	
22	2B000276	Staple	2	

<b>Group</b>	ENGINE
<b>Code</b>	34.09
<b>Description</b>	Transmission complete I
<b>Service</b>	1



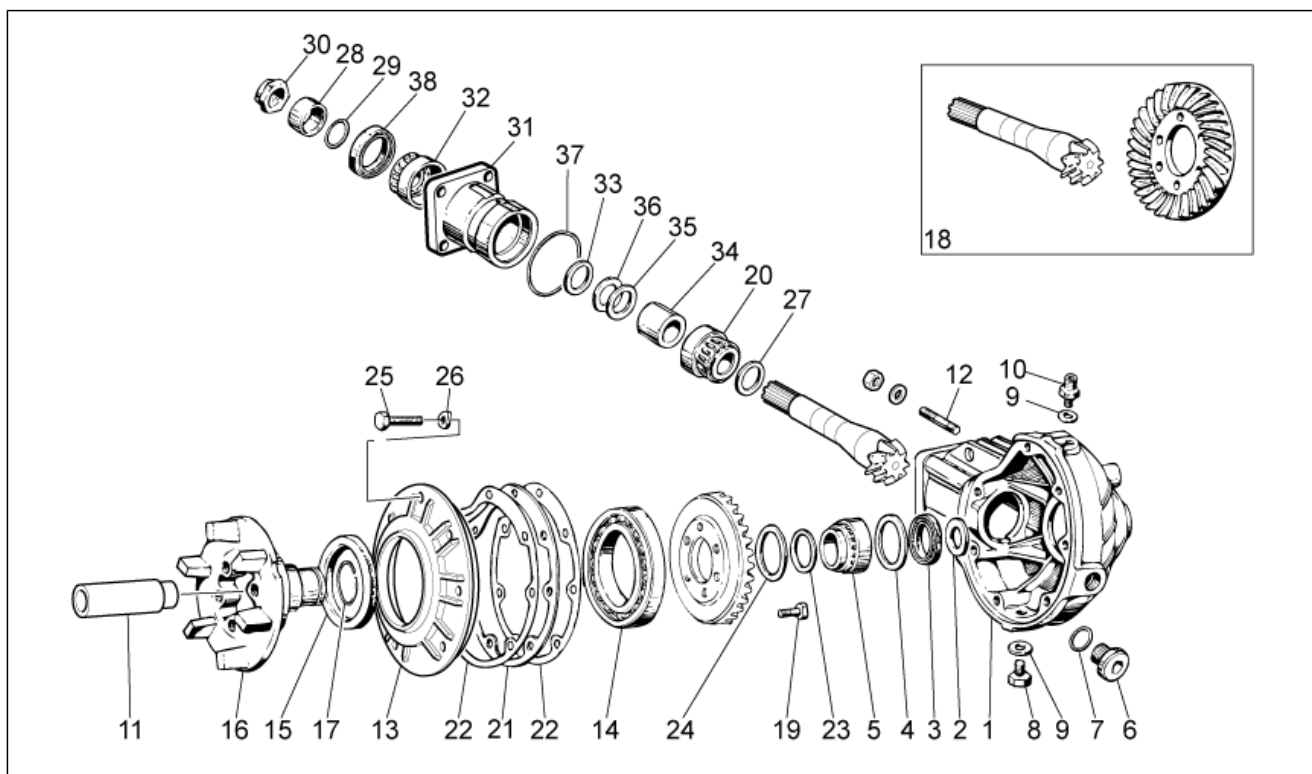
Pos.	Code	Description	Qty	Variants
1	976941	Transmission box assy., black	1	
2	GU31327783	Hose	1	
3	GU19328801	Hose	1	
4	GU90272023	Circlip	1	
5	GU19327601	Disc	1	
6	GU94321099	Spring	1	
7	GU23328081	Coupling	1	
8	GU23548080	Protection collar	1	
9	GU23548180	Spring	1	
10	AP8120246	Hose clamp D=60-80	1	
11	2B001960	Swing arm, red	1	
12	GU19547000	Pin	2	
13	GU35214300	Spacer	1	
14	GU31547882	Nut	2	
15	GU31544181	Pin	1	
16	GU98680545	screw M10x45	1	
17	GU95008210	Washer 10,2X18X2	1	
18	GU92606210	Nut M10x1,5	1	
19	860651	Cap nut M8x1,25	4	
20	GU14615901	Washer 8,4X13X0,8	4	
21	GU93180105	Cover	2	
22	GU95005308	Washer 8,4x14,57x1,6	4	
23	GU03922280	Cover 5x9	1	

<b>Group</b>	ENGINE
<b>Code</b>	34.10
<b>Description</b>	Transmission complete II
<b>Service</b>	1



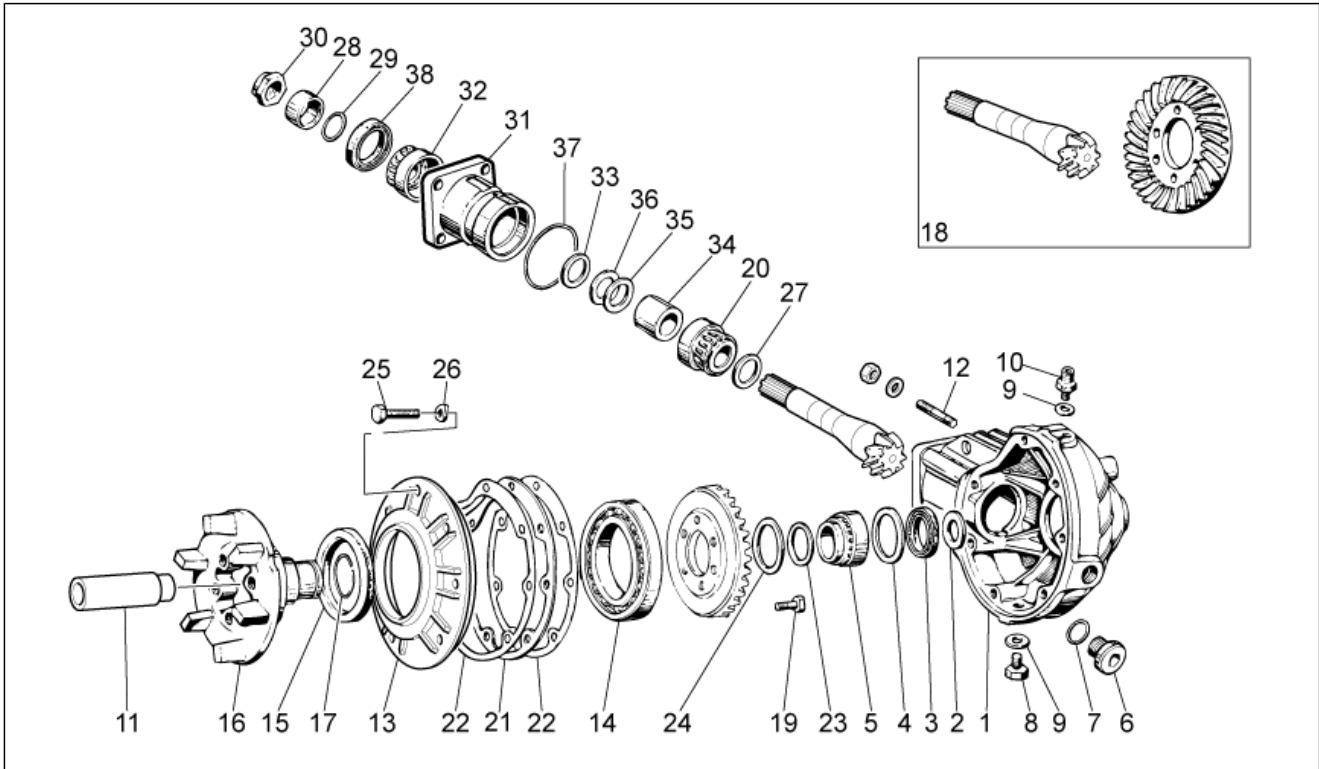
Pos.	Code	Description	Qty	Variants
1	976608	Transmission housingblack	1	
2	GU19351900	Clearance washer	1	
3	GU90403549	Gasket ring 35x47x7	1	
4	GU19351100	Clearance washer	1	
5	GU92252235	Roller bearing 35x50x17	1	
6	GU12022600	Oil plug	1	
7	GU90706203	O-ring 20,24x2,62	1	
8	GU31003766	Oil unload plug M10x1	1	
9	GU01528930	Gasket 10x18x1,5	2	
10	GU19206501	Breather plug	1	
11	GU32633560	Spacer	1	
12	GU96508055	Stud bolt	4	
13	GU32350410	Cover	1	
14	GU92201070	Ball bearing 70x110x13	1	
15	GU90407591	Gasket ring 75x95x10	1	
16	GU32351410	Pin	1	
17	GU90353030	Stop ring	1	
18	GU32354610	Bevel gear 8/33	1	
19	GU03067730	screw M8x25	6	
20	GU92249227	Tap.roller bearing 25x5	1	
21	2B002318	Spacer 0,2 mm	1	<b>Technical specification:</b> For Foamet gasket[gf]
21	2B002319	Spacer 0,3 mm	1	<b>Technical specification:</b> For Foamet gasket[gf]
21	2B002320	Spacer 0,4 mm	1	<b>Technical specification:</b> For Foamet gasket[gf]
21	2B002424	Spacer 0,5 mm	1	<b>Technical specification:</b> For Foamet gasket[gf]
21	2B002425	Spacer 0,6 mm	1	<b>Technical specification:</b> For Foamet gasket[gf]
21	2B002426	Spacer 0,7 mm	1	<b>Technical specification:</b> For Foamet gasket[gf]
21	GU19355400	Spacer 0,8 mm	1	
21	GU19355402	Spacer 0,9 mm	1	

<b>Group</b>	ENGINE
<b>Code</b>	34.10
<b>Description</b>	Transmission complete II
<b>Service</b>	1



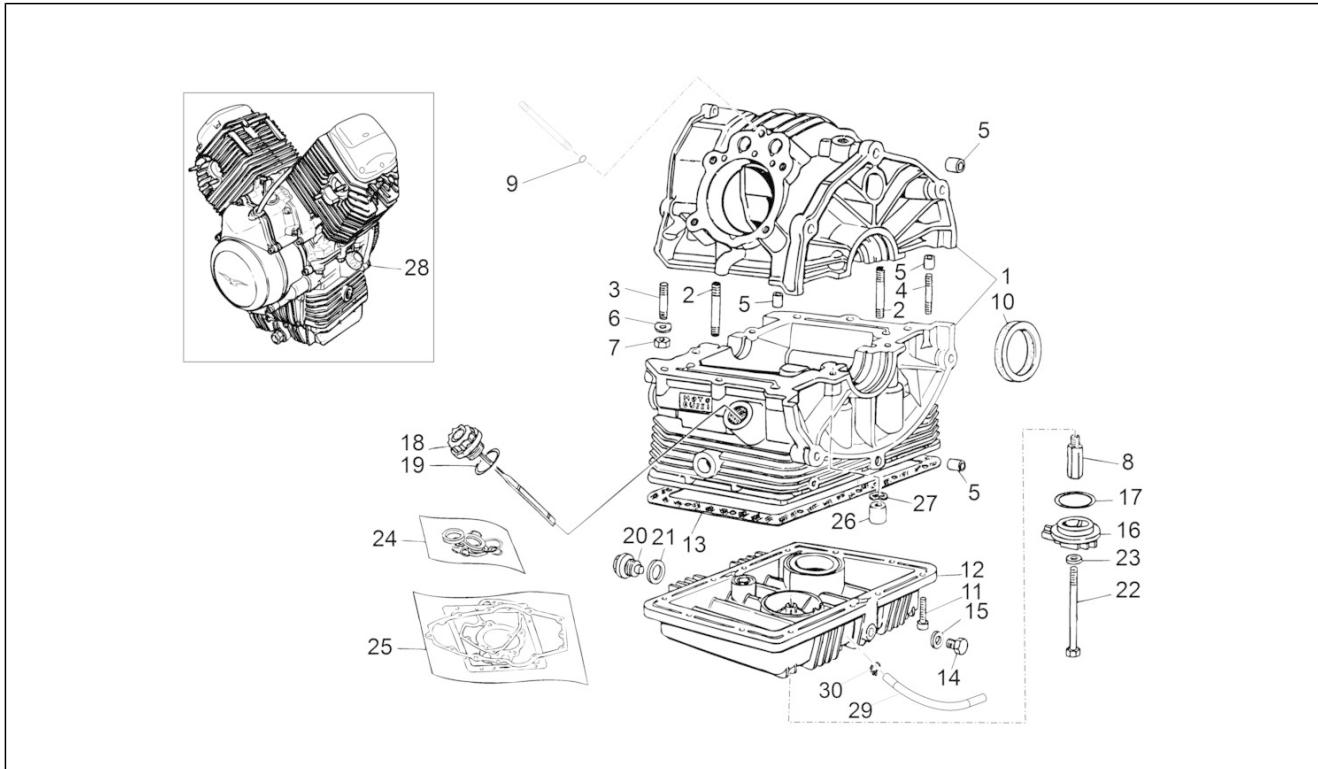
Pos.	Code	Description	Qty	Variants
21	GU19355404	Spacer 1 mm	1	
21	GU19355406	Spacer 1,1 mm	1	
21	GU19355408	Spacer 1,2 mm	1	
21	GU19355410	Spacer 1,3 mm	1	
21	GU19355411	Spacer 1,4 mm	1	
21	GU19355412	Spacer 1,5 mm	1	
21	GU19355413	Spacer 1,6 mm	1	
22	2A000382	Gasket	2	
22	GU19350700	Gasket	2	
23	GU19352300	Thrust washer	1	
24	GU19353500	Thrust washer	1	
25	GU19357660	screw	7	
26	GU61270300	Spring washer 8x15x0,3	7	
27	GU19355320	Spacer 1 mm	1	Technical specification:For paper gasket[gc]
27	GU19355321	Spacer 1,1 mm	1	Technical specification:For paper gasket[gc]
27	GU19355322	Spacer 1,2 mm	1	Technical specification:For paper gasket[gc]
27	GU19355323	Spacer 1,3 mm	1	Technical specification:For paper gasket[gc]
27	GU19355324	Spacer 1,4 mm	1	Technical specification:For paper gasket[gc]
27	GU19355325	Spacer 1,5 mm	1	Technical specification:For paper gasket[gc]
27	GU19355326	Spacer 1,6 mm	1	Technical specification:For paper gasket[gc]
27	GU19355327	Spacer 1,7 mm	1	Technical specification:For paper gasket[gc]
27	GU19355328	Spacer 1,8 mm	1	Technical specification:For paper gasket[gc]
27	GU19355329	Spacer 1,9 mm	1	Technical specification:For paper gasket[gc]
28	GU19356801	Spacer	1	
29	GU90706188	Gasket ring 18,77X1,78	1	
30	GU19356700	Nut	1	
31	GU20352421	Flange	1	
32	GU92249220	Roller bearing 20x47x14	1	

<b>Group</b>	ENGINE
<b>Code</b>	34.10
<b>Description</b>	Transmission complete II
<b>Service</b>	1



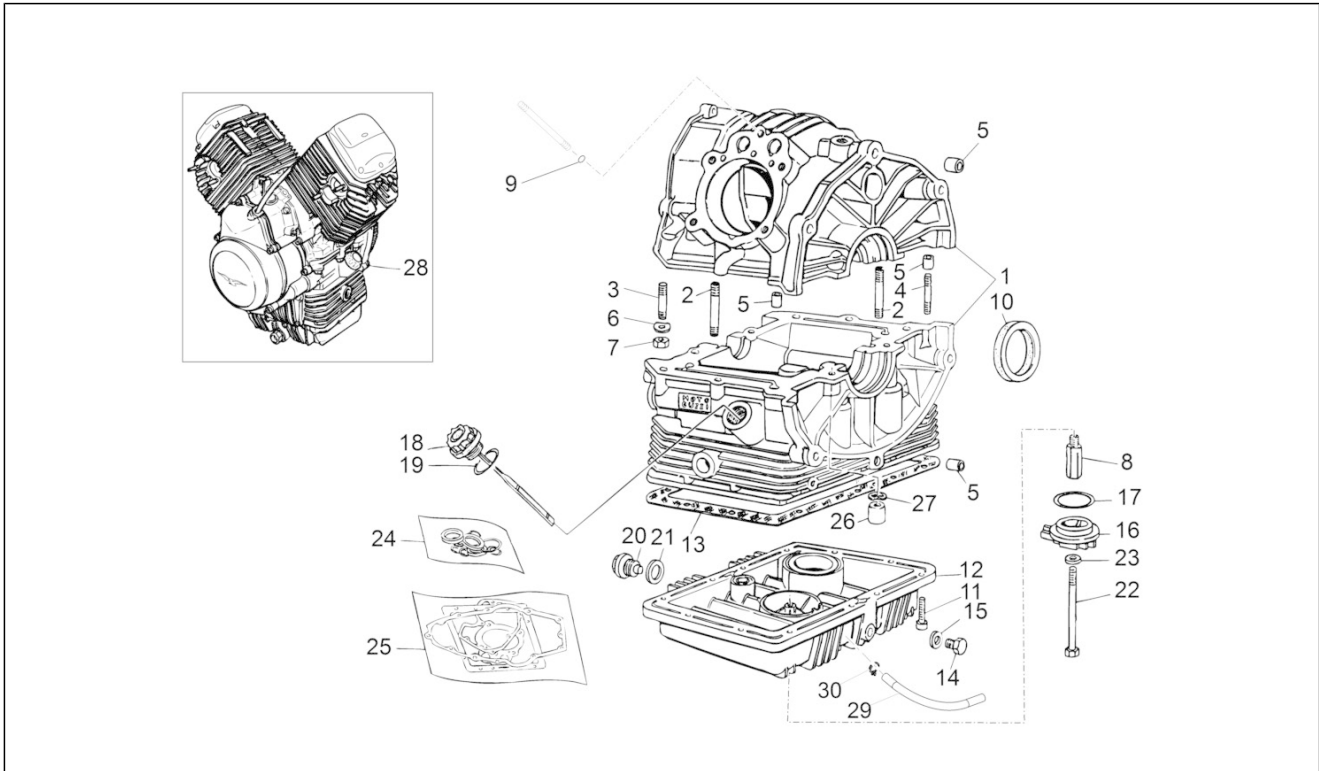
Pos.	Code	Description	Qty	Variants
33	GU19355300	Spacer 1 mm	1	
33	GU19355301	Spacer 1,1 mm	1	
33	GU19355302	Spacer 1,2 mm	1	
33	GU19355303	Spacer 1,3 mm	1	
33	GU19355304	Spacer 1,4 mm	1	
33	GU19355305	Spacer 1,5 mm	1	
33	GU19355306	Spacer 1,6 mm	1	
33	GU19355307	Spacer 1,7 mm	1	
33	GU19355308	Spacer 1,8 mm	1	
33	GU19355309	Spacer 1,9 mm	1	
34	GU20355121	Spacer	1	
35	GU19355200	Shim 0,1 mm	1	
36	GU19355202	Shim 0,15 mm	1	
	GU90706584	Gasket 58,42x2,62	1	
38	GU90403251	Gasket ring 32x47x10	1	

<b>Group</b>	ENGINE
<b>Code</b>	34.34
<b>Description</b>	Crank-case
<b>Service</b>	1



Pos.	Code	Description	Qty	Variants
1	2A0002355	Crankcase assy	1	
2	GU96451560	Stud bolt	4	
3	GU96451430	Stud bolt	4	
4	GU96508055	Stud bolt	2	
5	GU19015020	Bushing	4	
6	GU61270300	Spring washer 8x15x0,3	6	
7	GU92606208	Nut M8x1,25	6	
8	GU19003800	Joint	1	
9	GU90706076	O-ring	2	
10	886365	Gasket ring	1	
11	GU98682325	Hex socket screw M6x25	12	
12	976604	Oil sump black	1	
13	887004	Sump gasket	1	
14	GU31003766	Oil unload plug M10x1	1	
15	GU10528900	Gasket	1	
16	976685	Plug	1	
17	GU90706444	O-ring	1	
18	883826	Oil load plug	1	
19	GU90706281	O-ring 28,24x2,62	1	
20	GU12003702	Oil unload plug	1	
21	GU95100709	Gasket 20,1x28x2	1	
22	GU27152885	Bolt	1	
23	GU12154200	Gasket 8,25x15x1	1	
24	GU32999510	Oil seals - set	1	
25	GU32999010	Gasket set	1	
26	GU13021900	Column nut	4	
27	GU95129180	Washer 10,5X18X0,8	4	
28	2L000240	Engine assy w/hout transm.	1	

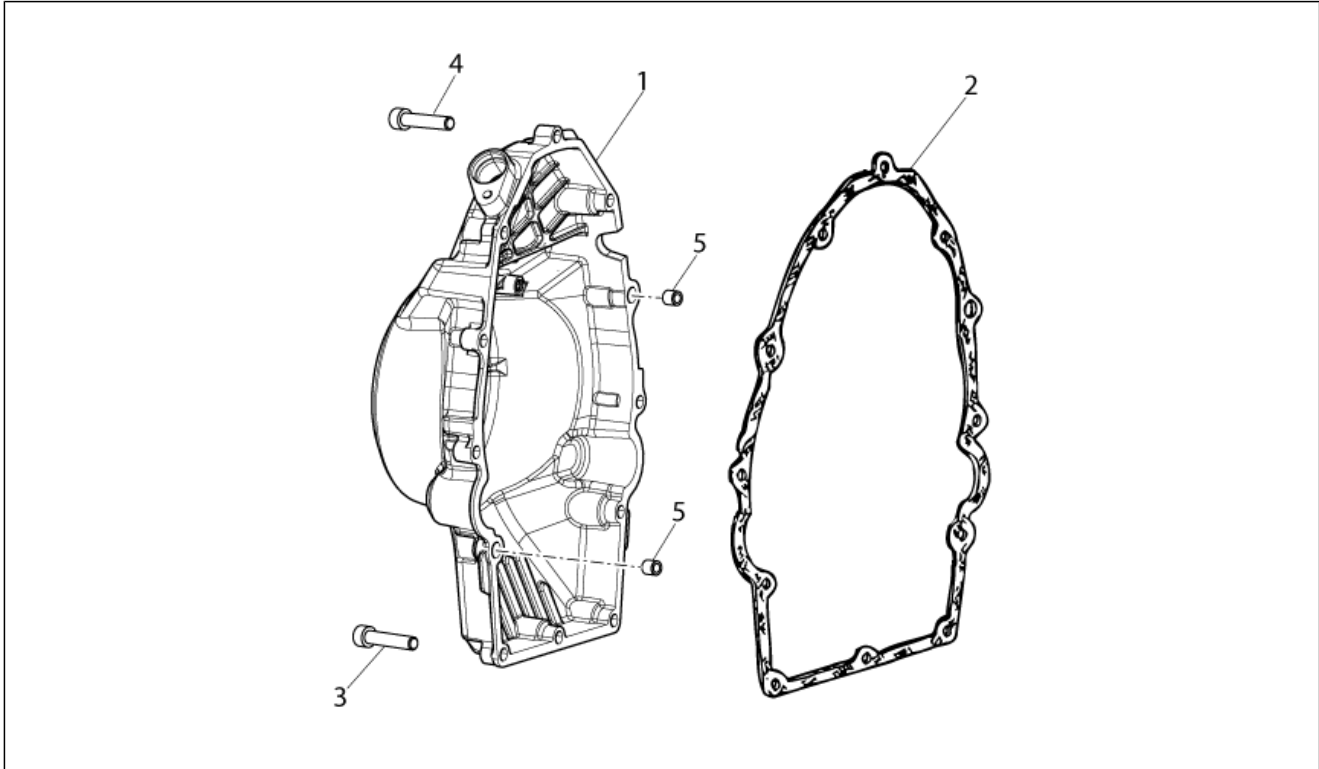
<b>Group</b>	ENGINE
<b>Code</b>	34.34
<b>Description</b>	Crank-case
<b>Service</b>	1



Pos.	Code	Description	Qty	Variants
29	AP8120772	Breather pipe	0.22	
30	AP8102520	Hose clamp	2	

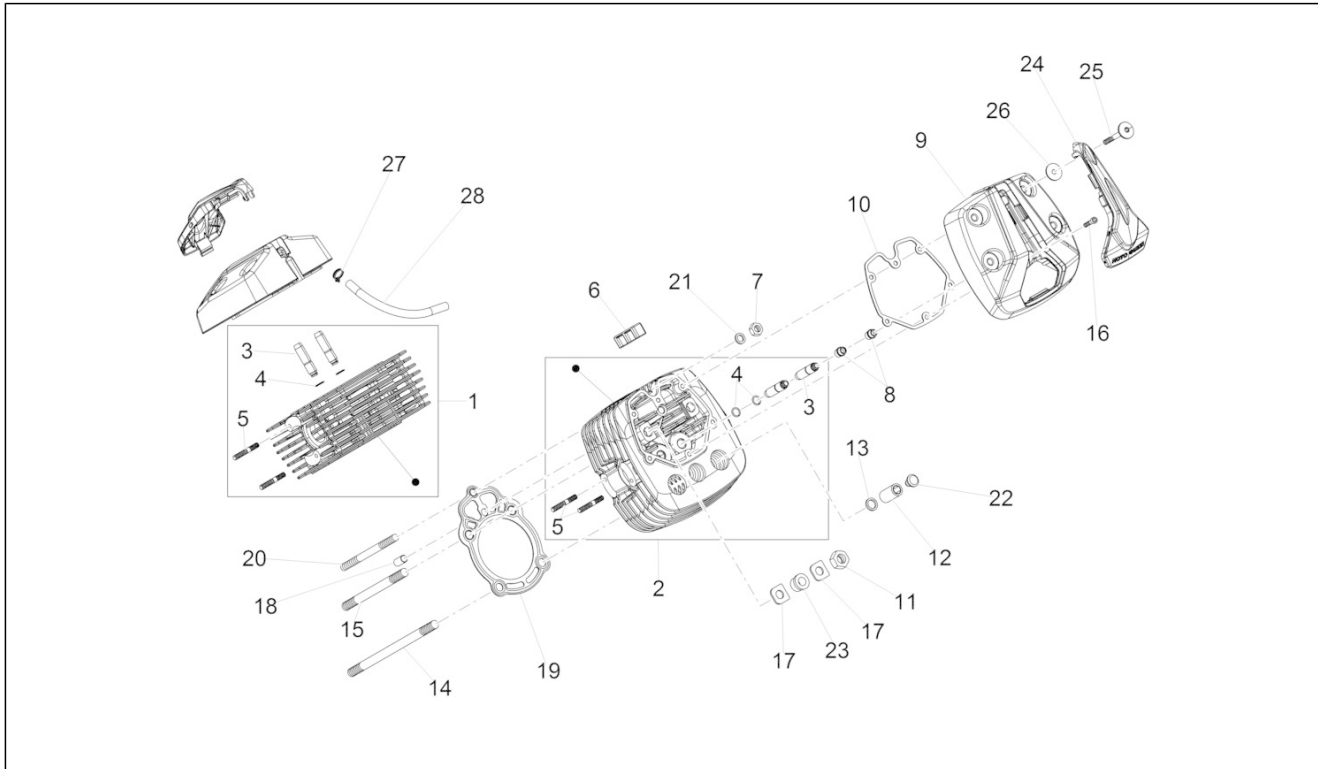


<b>Group</b>	ENGINE
<b>Code</b>	34.35
<b>Description</b>	Timing system cover
<b>Service</b>	1



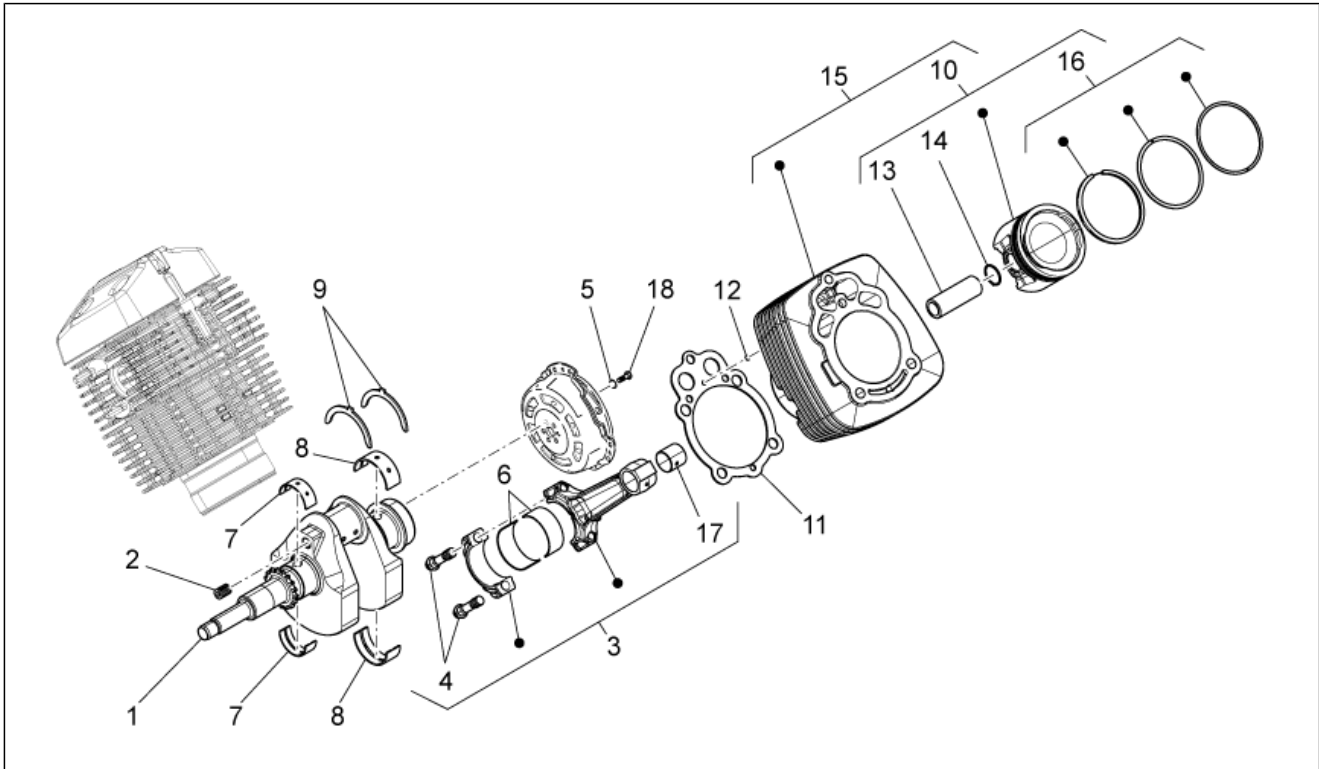
Pos.	Code	Description	Qty	Variants
1	2A000085	Cover	1	
2	887003	Cover gasket	1	
3	GU98682325	Hex socket screw M6x25	10	
4	GU98682330	Hex socket screw M6x20	2	
5	GU19002020	Bushing 6,6x9x13	2	

<b>Group</b>	ENGINE
<b>Code</b>	34.36
<b>Description</b>	Cylinder head
<b>Service</b>	1



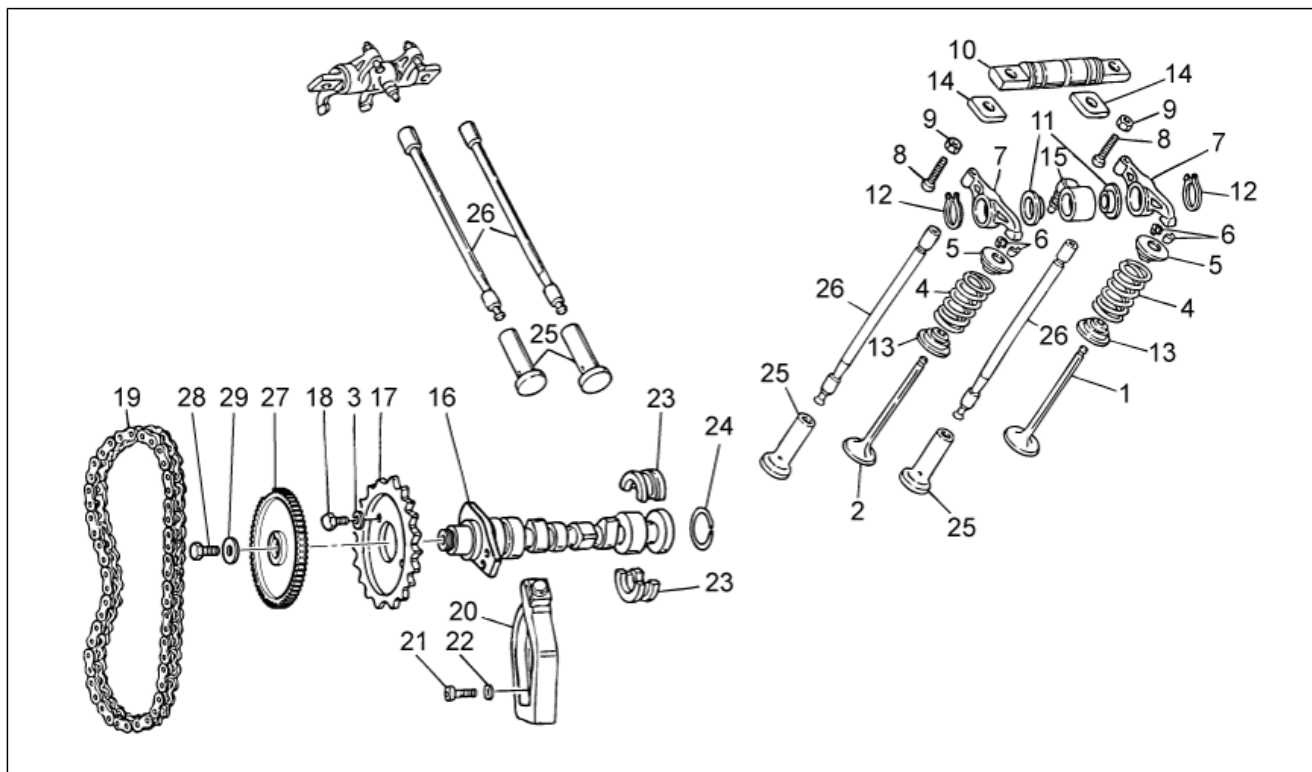
Pos.	Code	Description	Qty	Variants
1	8872724	RH head	1	
2	8872754	LH head	1	
3	GU61036801	Valve guide	4	
4	GU90353009	Snap ring	4	
5	GU96506042	Stud bolt	4	
6	B063111	Damping plug	4	
7	GU19021920	Nut	2	
8	GU19037820	Oil seal	4	
9	887523	Head cover	2	
10	887002	Head cover gasket	2	
11	GU92603010	Nut M10X1,5	4	
12	GU13021900	Column nut	4	
13	GU95129180	Washer 10,5X18X0,8	4	
14	GU96510214	Stud bolt M10x214	4	
15	GU96510181	Stud bolt M10x182	4	
16	GU98692325	Hex socket screw M6x25	4	
17	GU19032980	Spacer	8	
18	GU19021360	Bushing	2	
19	B063099	Cylinder head gasket	2	
20	976898	Stud bolt M8x140	2	
21	GU61270300	Spring washer 8x15x0,3	2	
22	GU93180245	Cover	4	
23	AP8144071	Rubber exhaust	1	
24	887279	Spark plug cover	2	
25	887483	Head cover screw M6x52.5	8	
26	969973	Washer	8	
27	AP8201358	Hose clamp D 11,9	1	
28	2B001204	Blow-by pipe	1	

<b>Group</b>	ENGINE
<b>Code</b>	34.37
<b>Description</b>	Crankshaft cpl.
<b>Service</b>	1



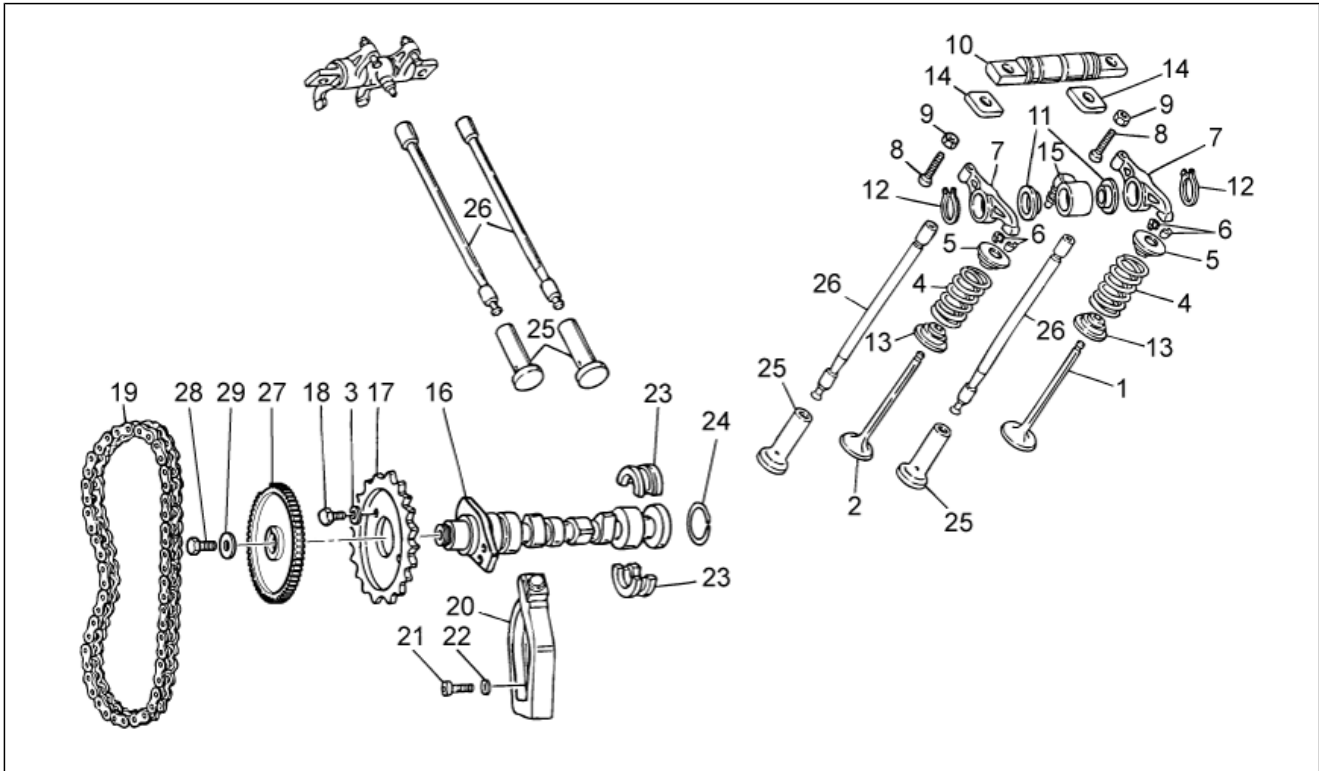
Pos.	Code	Description	Qty	Variants
1	2A0000995	Drive shaft	1	
2	GU19065400	Cover	1	
3	GU27061585	Connecting rod cpl.	2	
4	GU19062261	screw	4	
5	GU14615901	Washer 8,4X13X0,8	6	
6	GU27062060	Bearing half-shell	4	
7	GU27065660	Front main half-bearing	2	
8	GU27066560	Rear main half-bearing	2	
9	GU27066460	Half-clamp	2	
10	8872690001	Piston complete with 80 Cat. D	1	
10	8872690002	Piston complete with 80 Cat. E	1	
10	8872690003	Piston complete with 80 Cat. F	1	
11	886670	Cylinder gasket	2	
12	GU61027200	O-ring	2	
13	B063016	Piston pin	2	
14	874567	Stop ring	4	
15	B063465	Cylinder with piston	2	
16	B063466	Pistonring set	2	
17	GU27061885	Bushing	2	
18	GU19067700	screw	6	

<b>Group</b>	ENGINE
<b>Code</b>	34.38
<b>Description</b>	Timing system
<b>Service</b>	1



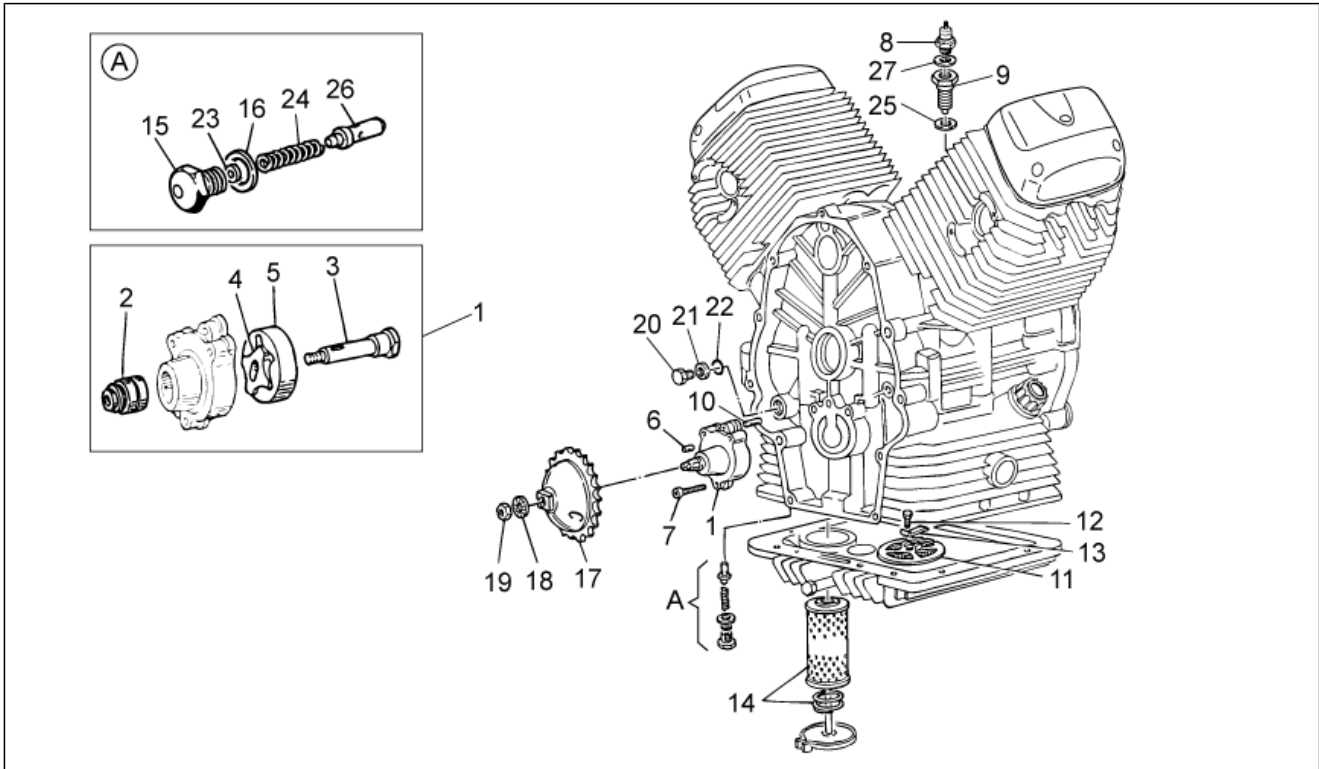
Pos.	Code	Description	Qty	Variants
1	2A000146	Valve, in	2	
2	2A000147	Exhaust valve	2	
3	GU23217800	Safety washer	2	
4	GU27037521	Spring	4	
5	GU31038015	Upper cup	4	
6	GU61038100	Half-cone	8	
7	GU19030500	Rocker arm assy.	4	
8	GU19034000	screw	4	
9	GU92602406	Nut M6x1	4	
10	GU19032080	Rocker shaft	2	
11	GU32032310	Thrust washer	4	
12	GU90271018	Circlip	4	
13	GU31037015	Lower cup	4	
14	GU19032980	Spacer	4	
15	2B000579	Hose	2	
16	GU32053410	Camshaft	1	
17	GU32054510	Timing system gear	1	
18	GU61054900	Bolt	2	
19	GU19058021	Camshaft chain	1	
20	GU19058220	Chain stretching drive	1	
21	GU98882316	screw	1	
22	GU95129115	Washer	1	
23	GU19055700	Sector	2	
24	GU90353029	Snap ring	1	
25	GU19045861	Tappet	4	
26	GU31045015	Rocker arm rod	4	
27	887528	Phonic wheel	1	
28	GU98054422	screw M8x22	1	

<b>Group</b>	ENGINE
<b>Code</b>	34.38
<b>Description</b>	Timing system
<b>Service</b>	1



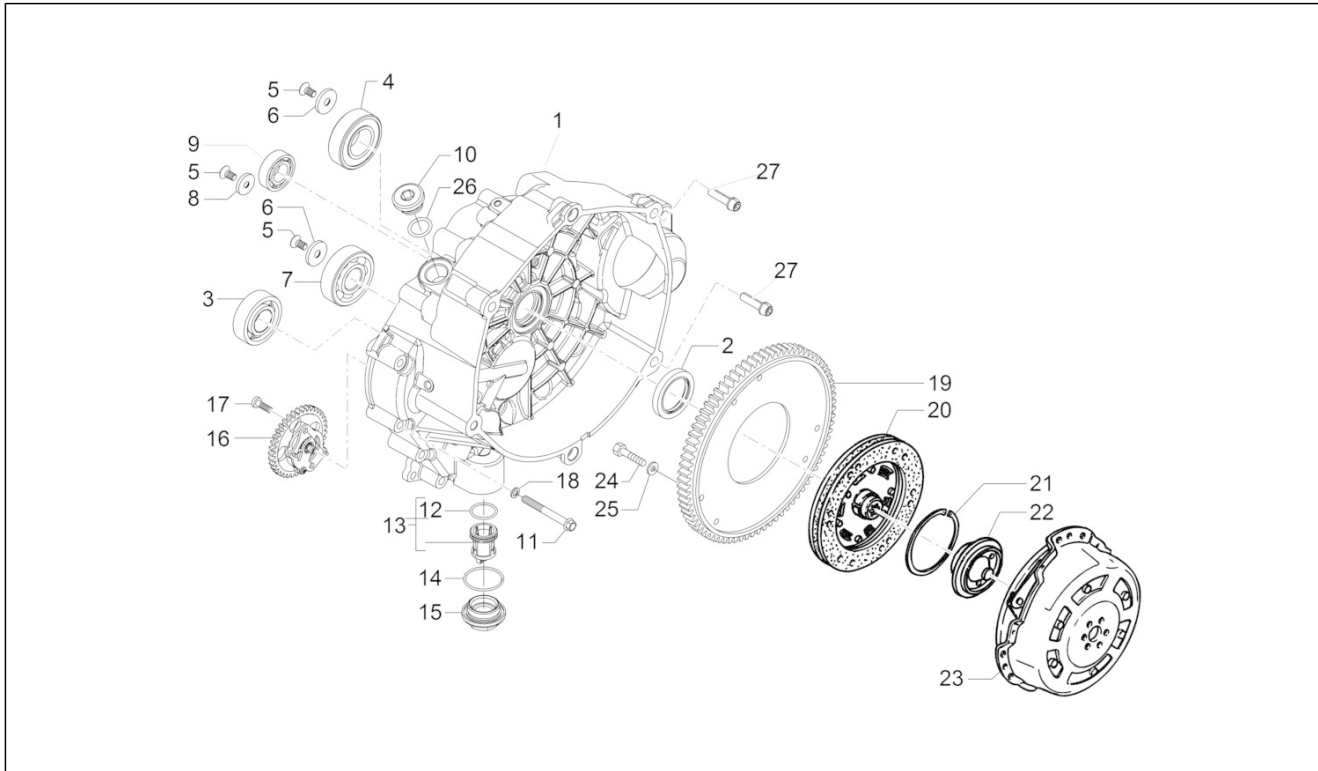
Pos.	Code	Description	Qty	Variants
29	GU95100244	Washer	1	

<b>Group</b>	ENGINE
<b>Code</b>	34.39
<b>Description</b>	Oil pump
<b>Service</b>	1



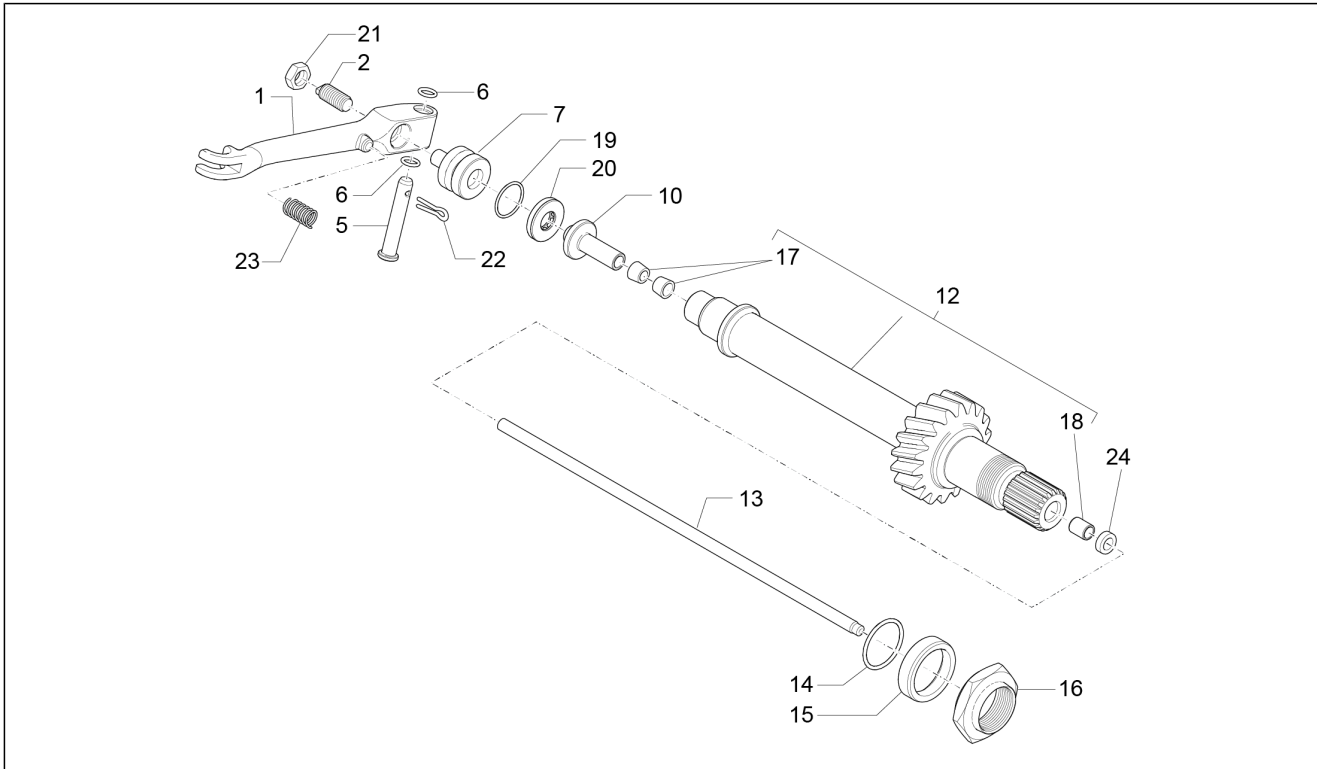
Pos.	Code	Description	Qty	Variants
1	GU19146422	Oil pump	1	
2	GU92252210	Roller bearing 10x22x20	1	
3	GU20147810	Oil pump shaft assy.	1	
4	GU20148410	Inner rotor	1	
5	GU20148610	Outer rotor	1	
6	GU92296723	Roller	1	
7	GU98620335	screw M6x35	3	
8	641541	Oil pressure sensor	1	
9	887093	Union	1	
10	GU19018920	Pin	2	
11	GU19152200	Oil filter	1	
12	GU98084314	Hex screw M6x14	1	
13	GU95187006	Plate	1	
14	GU27153085	Oil filter	1	
15	GU31159050	Cover	1	
16	GU18144350	Washer 18,25x24x1	3	
17	GU20147710	Pump gear	1	
18	AP8152220	Washer	1	
19	GU92602510	Nut M10x1,25	1	
20	GU31016050	Cover	1	
21	GU18161150	Gasket 14,25	1	
22	GU90706111	O-ring	1	
23	GU95008206	Washer 6,15x11x0,8	3	
24	GU94321079	Spring	1	
25	GU95100602	Gasket	1	
26	GU31150950	Piston	1	
27	GU95100309	Washer	1	

<b>Group</b>	ENGINE
<b>Code</b>	34.40
<b>Description</b>	Clutch I
<b>Service</b>	1



Pos.	Code	Description	Qty	Variants
1	2A0003794	Clutch drum	1	
2	886629	Gasket ring	1	
3	848650	Ball bearing 20x47x14	1	
4	GU92201226	Ball bearing 25x52x15	1	
5	B013608	Screw	4	
6	873928	Washer	3	
7	GU92201822	Ball bearing 20x52x15	1	
8	873905	Washer	1	
9	834764	Bearing	1	
10	GU12022600	Oil plug	1	
11	AP8150045	Hex socket screw M6x55	14	
12	B017406	O-ring 20.35x1.78	1	
13	B018020	Oil filter cpl.	1	
14	285536	O-ring 31,47x1,78	1	
15	B015598	Oil filter plug	1	
16	B018448	Oil pump assy.	1	
17	2A000241	Screw M5x16	2	
18	GU95008306	Washer 6,4x12x1,2	14	
19	GU32067910	Chain ring	1	
20	GU32084410	Driven clutch disc	1	
21	GU90272075	Snap ring	1	
22	GU19083462	New cup type	1	
23	GU32080310	Clutch	1	
24	884038	Hex screw M6x16	6	
25	GU14217901	Washer 6,4x10x0,7	6	
26	GU90706203	O-ring 20,24x2,62	1	
27	GU98680440	Hex socket screw M8x40	6	

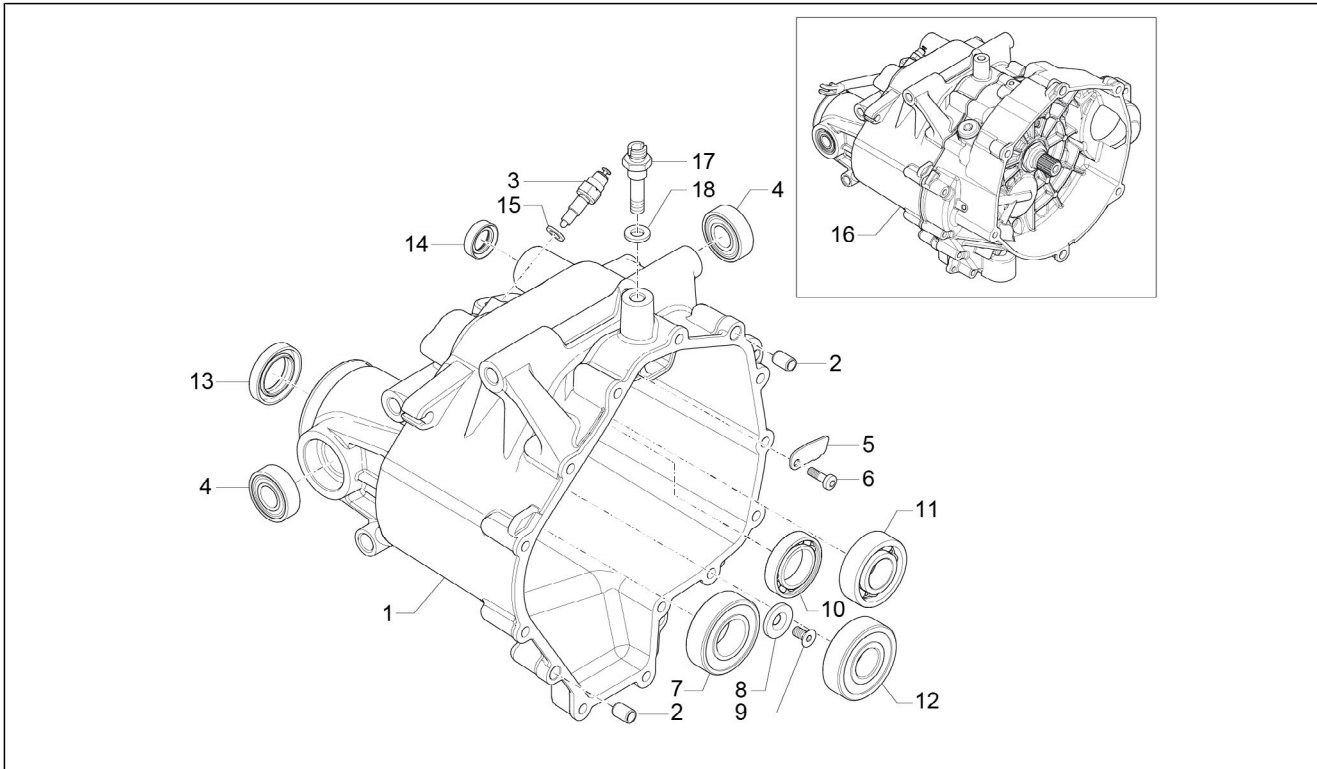
<b>Group</b>	ENGINE
<b>Code</b>	34.41
<b>Description</b>	Clutch II
<b>Service</b>	1



Pos.	Code	Description	Qty	Variants
1	2A000383	Clutch release shaft	1	
2	GU14090400	Adjuster screw	1	
5	2A000384	Lever pin	1	
6	2A000385	O-ring 6.5x1.5	2	
7	GU14086100	Outer body	1	
10	B013037	Clutch gear	1	
12	2A000204	Clutch shaft Z=18	1	
13	2A000216	Drive rod	1	
14	GU90706235	O-ring 23,52x1,78	1	
15	GU19213760	Spacer	1	
16	GU19356760	Nut	1	
17	GU14085900	Bush	2	
18	GU05217630	Bushing	1	
19	GU90706170	O-ring 17,13x2,62	1	
20	2A000376	Thrust bearing	1	
21	GU92606508	Nut	1	
22	GU95500222	Split pin	1	
23	GU94321105	Lever return spring	1	
24	2A000378	Gasket ring	1	

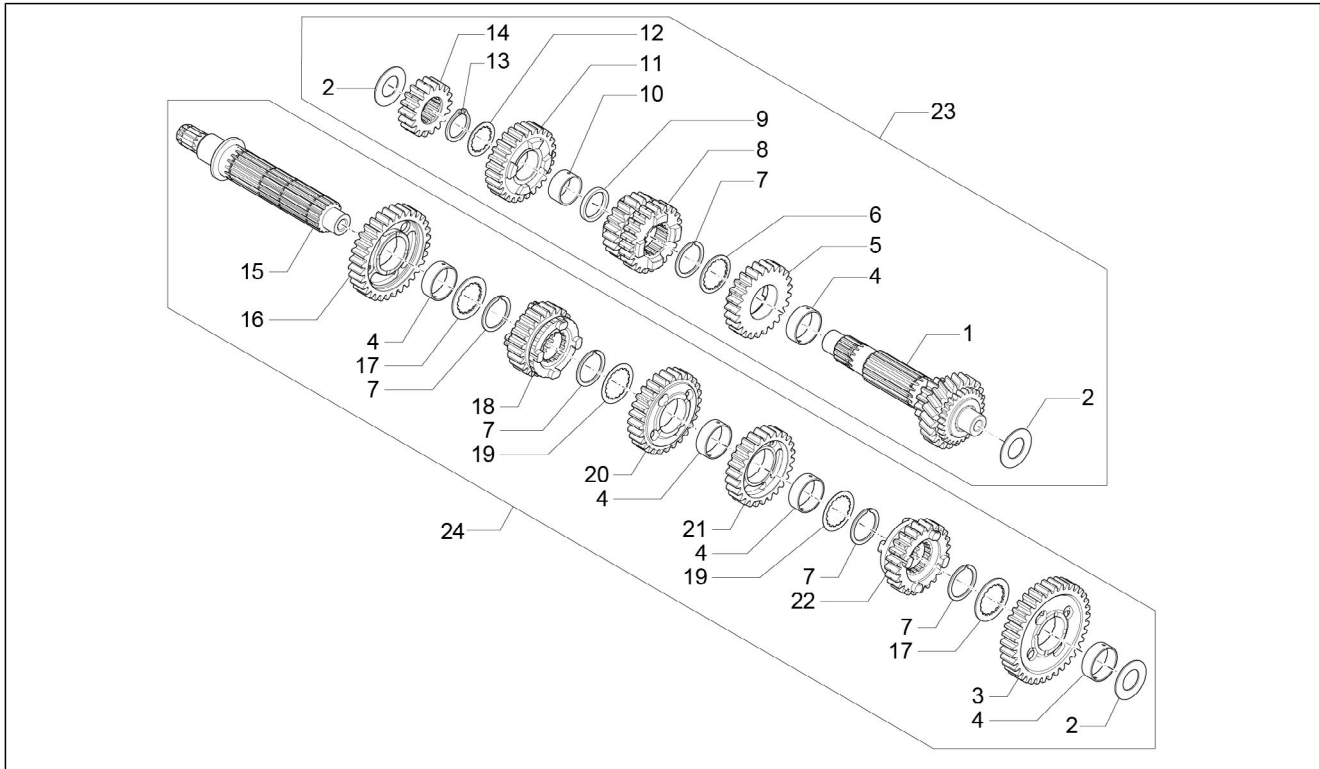


<b>Group</b>	ENGINE
<b>Code</b>	34.42
<b>Description</b>	Transmission cage
<b>Service</b>	1



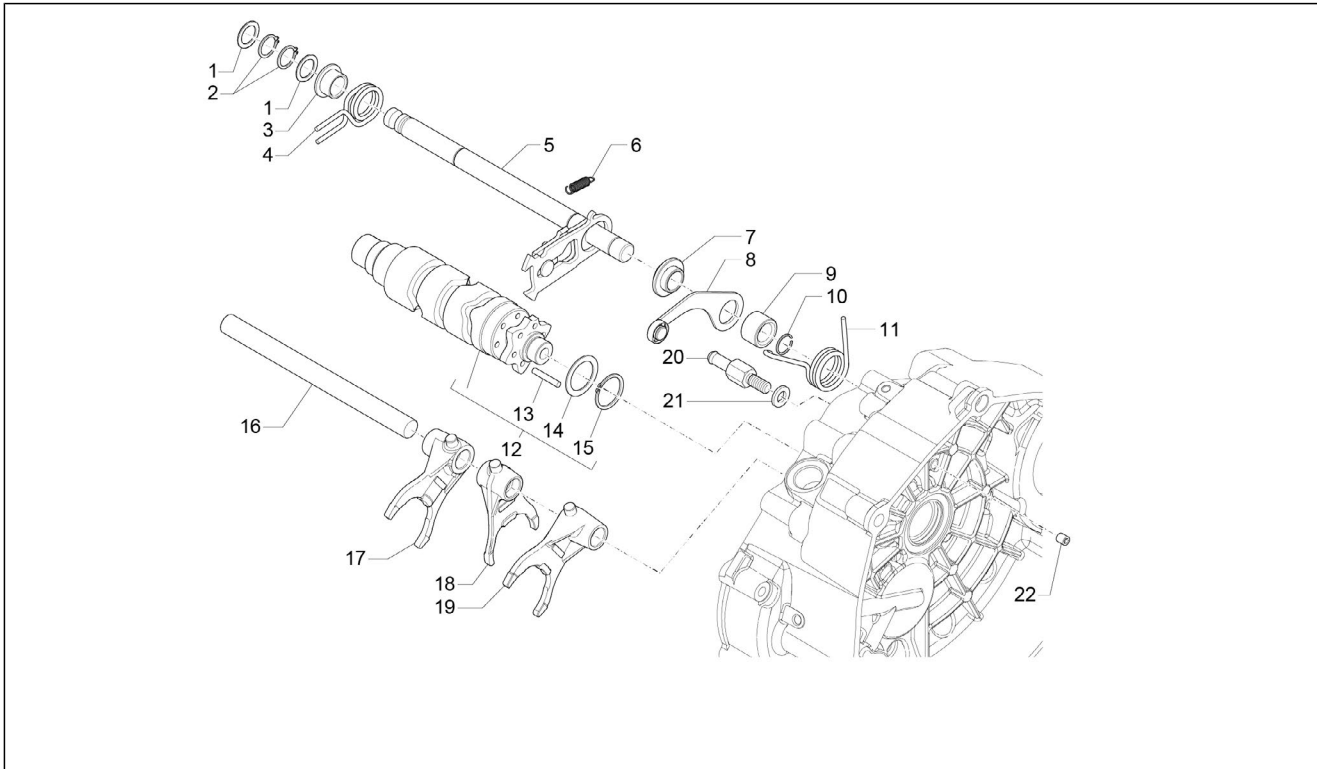
Pos.	Code	Description	Qty	Variants
1	2A000210	Transmission cage	1	
2	GU19002020	Bushing 6,6x9x13	2	
3	B063269	Sensor	1	
4	2A000097	Ball bearing 6202-2RSH/C3 LHT23	2	
5	2A000306	Lock plate	1	
6	2A000241	Screw M5x16	1	
7	GU92201226	Ball bearing 25x52x15	1	
8	873928	Washer	1	
9	B013608	Screw	1	
10	857250	Ball bearing 25x42x9	1	
11	2A000375	Ball bearing	1	
12	GU92201822	Ball bearing 20x52x15	1	
13	GU90412541	Gasket ring 25X40X7	1	
14	GU90401424	Gasket ring 14x24x7	1	
15	B063025	Gasket 8.7x14.2x1.3	1	
16	2A000196	Gear box assy	1	
17	2A000438	Breather plug	1	
18	GU01528930	Gasket 10x18x1,5	1	

<b>Group</b>	ENGINE
<b>Code</b>	34.43
<b>Description</b>	Gear box
<b>Service</b>	1



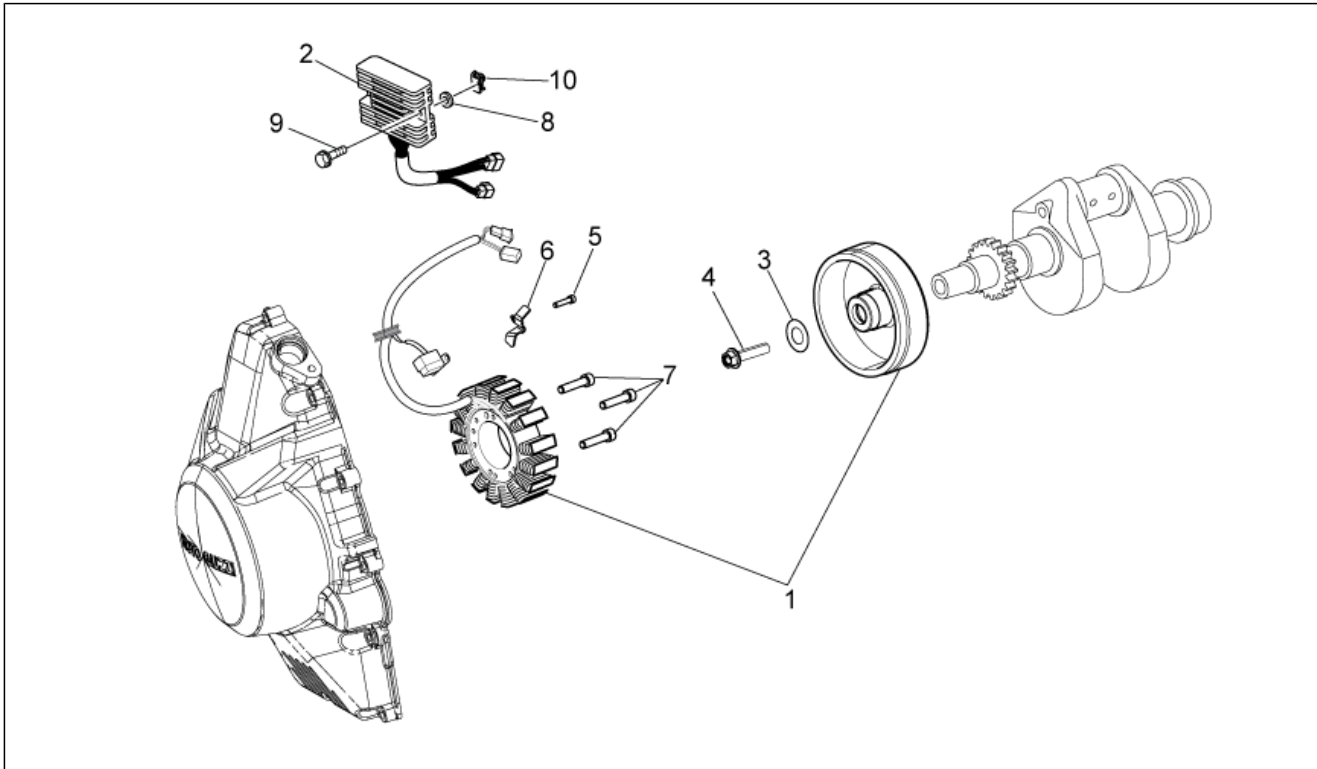
Pos.	Code	Description	Qty	Variants
1	2A000230	Primary gear shaft	1	
2	1A000566	Thrust washer	3	
3	B017470	1st gear	1	
4	849308	Moveable bush	5	
5	1A000360	Fifth speed gear	1	
6	849424	Clearance washer	1	
7	1A002604	Shaft snap ring	5	
8	1A000436	Sliding pinion 3a - 4a vel.	1	
9	B015040	Thrust washer	1	
10	974162	Moveable bush	1	
11	1A000361	6th pinion gear	1	
12	849396	Clearance washer	1	
13	974165	Snap ring	1	
14	1A000365	2nd pinion gear	1	
15	2A000203	Secondary gearbox shaft	1	
16	1A000366	Second speed gear Z=32	1	
17	849309	Clearance washer	2	
18	1A000370	Gear 6a Z=24	1	
19	849310	Clearance washer	2	
20	1A000367	Third speed gear Z=28	1	
21	1A000368	Fourth speed gear Z=26	1	
22	1A000369	Fifth speed gear Z=24	1	
23	2A000199	Primary shaft assy	1	
24	2A000202	Sec. shaft assy	1	

<b>Group</b>	ENGINE
<b>Code</b>	34.44
<b>Description</b>	Gear box selector
<b>Service</b>	1



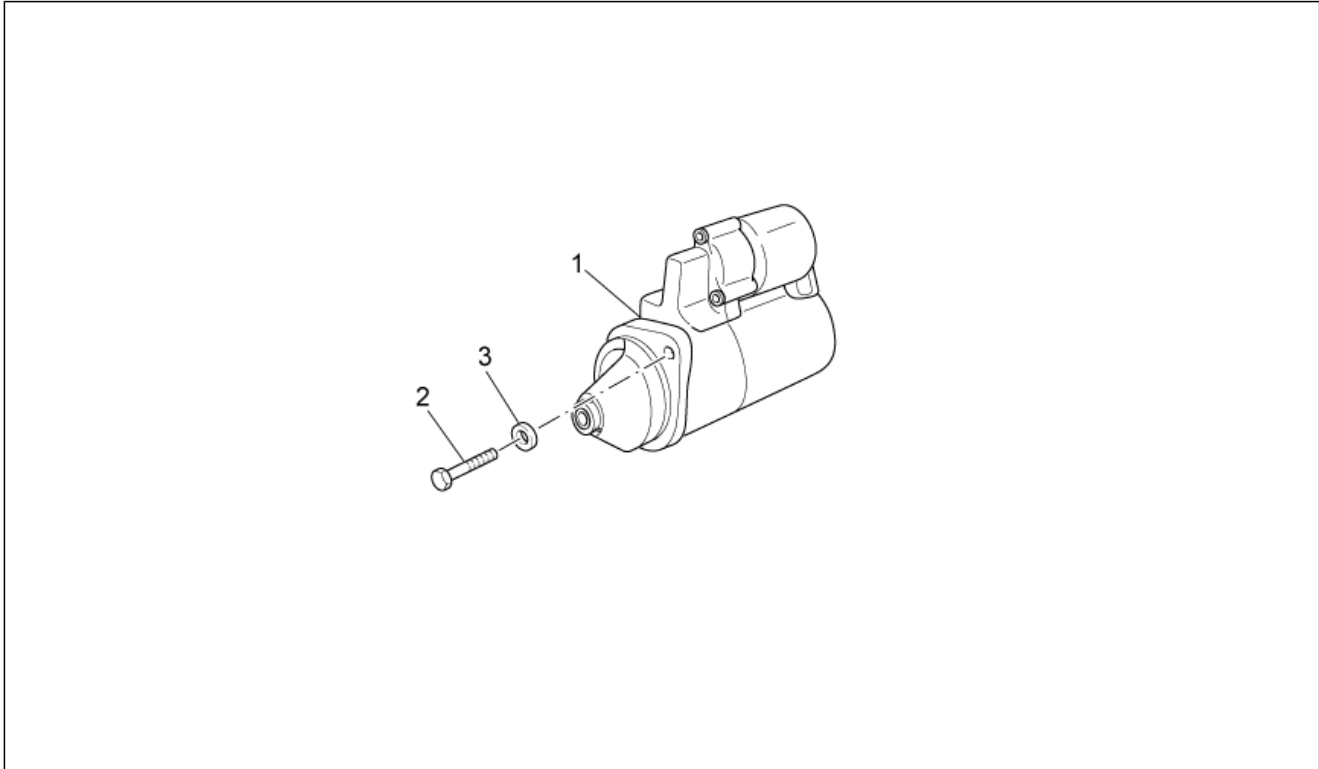
Pos.	Code	Description	Qty	Variants
1	GU05239330	Fifth wheel	2	
2	GU90271014	Circlip	2	
3	2A000467	Spacer	1	
4	B063956	Spring	1	
5	2A000219	Preselection complete	1	
6	GU05238231	Spring	1	
7	GU05238431	Bushing	1	
8	B064112	Index assy. lever	1	
9	GU05234230	Spacer	1	
10	GU90353014	Circlip	1	
11	B064113	Index spring	1	
12	2A000222	Shift cam cpl.	1	
13	GU05234631	Pin	6	
14	GU05235531	Spacer	1	
15	GU90271022	Circlip	1	
16	2A000224	Rod	1	
17	2A000226	Fork 2-3 speed	2	
18	2A000227	5-6 gear fork	1	
19	2A000225	Fork for secondary shaft	1	
20	2A000415	Set screw	1	
20	2A000416	Set screw	1	
21	B063025	Gasket 8.7x14.2x1.3	1	
22	862560	Special nut	1	

<b>Group</b>	ENGINE
<b>Code</b>	34.45
<b>Description</b>	Generator - Regulator
<b>Service</b>	1



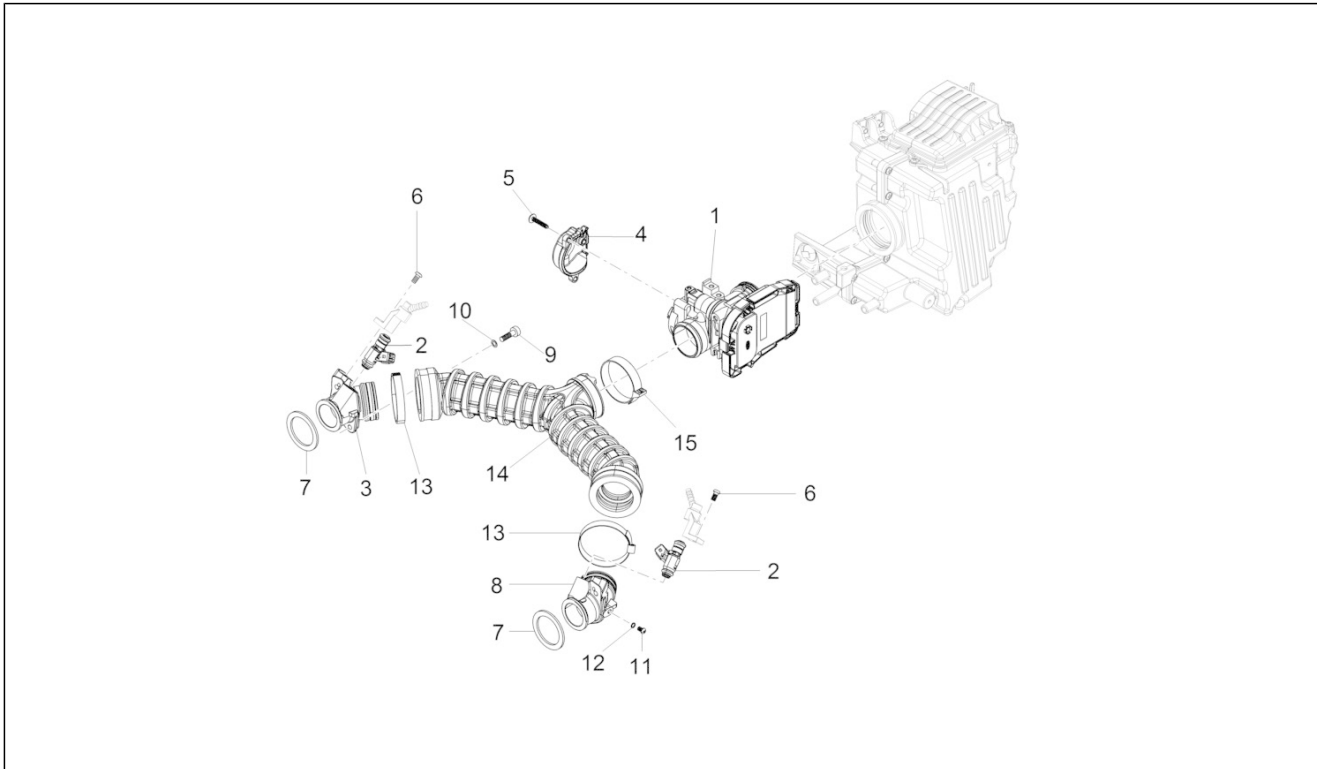
Pos.	Code	Description	Qty	Variants
1	2D000024	Cdi magneto assy	1	
2	2D000043	Voltage regulator	1	
3	897478	Washer 12x26.5x3	1	
4	857206	Screw w/ flange M12X1,25X50	1	
5	GU98682212	Hex socket screw M5x12	1	
6	2A000115	Plate	1	
7	2A000129	Low head socket screw M6x35	3	
8	GU95100125	Washer	2	
9	AP8152281	Screw w/ flange M6x30	2	
10	254485	Spring plate M6	2	

<b>Group</b>	ENGINE
<b>Code</b>	34.46
<b>Description</b>	Starter motor
<b>Service</b>	1



Pos.	Code	Description	Qty	Variants
1	97729R	Starter motor	1	
2	GU92609408	Nut M8x1,25	1	
3	GU95008208	Washer 8,4X15X1,5	2	

<b>Group</b>	ENGINE
<b>Code</b>	34.47
<b>Description</b>	Throttle body
<b>Service</b>	1



Pos.	Code	Description	Qty	Variants
1	CM228306	Electronic control unit ECU for injection	1	
2	B063049	Injector	2	
3	GU32115010	RH manifold	1	
4	880260	Throttle body Protection	1	
5	B016796	Torx convex big end screw	3	
6	AP8152298	Screw w/ flange M5x16	2	
7	GU32115510	Gasket	2	
8	GU32115011	LH manifold	1	
9	GU98622322	screw	4	
10	GU03013800	Washer 6,4x12	4	
11	GU98310609	screw M6x10	2	
12	GU95100116	Washer 6,25x10x1,5	2	
13	884311	Hose clamp D.61	2	
14	2B001031	Throttle body hose	1	
15	GU93305061	Hose clamp 61/65,5	1	



PIAGGIO & C.s.p.a.



## CATALOGUE DE PIÈCES DE RECHANGE



### V7 II SPECIAL ABS 750

Préfixe du cadre: ZGULW200

Préfixe du moteur:

V7

GU121



## Index

Produits finis.....	4
Index alphanumérique.....	5
CHASSIS.....	10
Tableau 33.01 - Chassis I.....	10
Tableau 33.02 - Chassis II.....	11
Tableau 33.03 - Béquille latérale.....	12
Tableau 33.04 - R-pied pilote.....	13
Tableau 33.05 - R-pied pass.....	14
Tableau 33.06 - Levier boîte de vitesses.....	15
Tableau 33.07 - Fourche Av. I.....	16
Tableau 33.08 - Fourche Av. II.....	17
Tableau 33.11 - Amortisseur AR.....	19
Tableau 33.12 - Réservoir essence.....	20
Tableau 33.13 - Carrosserie av. - Garde-boue AV.....	21
Tableau 33.14 - Selle-Carrosserie cent.....	22
Tableau 33.15 - Carrosserie arrière I- Garde-boue.....	23
Tableau 33.16 - Carrosserie arrière II- Porte-plaque.....	24
Tableau 33.17 - Tableau de bord.....	25
Tableau 33.18 - Guidon - Commandes.....	26
Tableau 33.19 - Sys.frein avant.....	27
Tableau 33.21 - Pompe essence.....	28
Tableau 33.22 - Corps filtre.....	29
Tableau 33.23 - Groupe echappement.....	30
Tableau 33.24 - Roue Av. I.....	31
Tableau 33.25 - Roue arrière I.....	32
Tableau 33.26 - Maît.cyl. frein AR.....	33
Tableau 33.27 - Pince frein AR.....	34
Tableau 33.28 - Feux avant.....	35
Tableau 33.29 - Feux arriere.....	36
Tableau 33.30 - Circuit électrique I.....	37
Tableau 33.31 - Circuit électrique II.....	38
Tableau 33.32 - Kit serrure.....	39
Tableau 33.33 - Décalco et plaquettes.....	40
Tableau 33.36 - Système frein ABS.....	41
MOTEUR.....	42
Tableau 34.09 - Transmission cpl. I.....	42
Tableau 34.10 - Transmission cpl. II.....	43
Tableau 34.34 - Carter.....	46
Tableau 34.35 - Couvercle distribution.....	47
Tableau 34.36 - Tête cylindre.....	48
Tableau 34.37 - Arbre moteur cpl.....	49
Tableau 34.38 - Distribution.....	50
Tableau 34.39 - Pompe huile.....	52





---

Tableau 34.40 - Embrague I.....	53
Tableau 34.41 - Embrague II.....	54
Tableau 34.42 - Carter de boîte vitesses.....	55
Tableau 34.43 - Boîte de vitesses.....	56
Tableau 34.44 - Selecteur boîte de vitesses.....	57
Tableau 34.45 - Alternateur - Régul.....	58
Tableau 34.46 - Démarreur.....	59
Tableau 34.47 - Corps à papillon.....	60



V 7  
GU121 - V7 II SPECIAL ABS 750

Préfixe du cadre: ZGULW200  
Préfixe du moteur:

## Produits finis

Code	Validité
GU9032114AUE00	
GU9032114AUE01	
GU9032114EUE00	
GU9032114EUE01	
GU9032114EUE02	
GU9032114EUE03	
GU9032114GBE00	
GU9032114GBE01	
GU9032114GBE02	
GU9032114GBE03	
GU9032114JPE00	
GU9032114JPE01	





V7  
GU121 - V7 II SPECIAL ABS 750

Préfixe du cadre: ZGULW200  
Préfixe du moteur:

Code	N° de tableau	Pos.	Code	N° de tableau	Pos.	Code	N° de tableau	Pos.
8872690001	34.37	10	890979	33.28	16	AP8120615	33.22	10
8872690002	34.37	10	894505	33.25	13	AP8120772	33.22	20
8872690003	34.37	10	894704	33.31	26	AP8120870	33.23	24
8872724	34.36	1	895709	33.36	18	AP8120876	33.22	8
8872754	34.36	2	895839	33.33	8	AP8120912	33.06	2
887279	34.36	24	896110	33.23	21	AP8120912	33.26	2
887443	33.33	9	897478	34.45	3	AP8121014	33.03	3
887448	33.25	12	898164	33.11	3	AP8121032	33.15	10
887481	33.30	12	898283	33.06	4	AP8121032	33.15	13
887483	34.36	25	959559	33.36	16	AP8121032	33.17	7
887523	34.36	9	967356	33.03	6	AP8121072	33.23	22
887528	34.38	27	969973	34.36	26	AP8121133	33.05	6
887762	33.24	11	974162	34.43	10	AP8121307	33.07	4
887787	33.21	5	974165	34.43	13	AP8121375	33.03	2
887815	33.22	13	976604	34.34	12	AP8121420	33.14	7
887826	33.28	4	976608	34.10	1	AP8121420	33.32	8
887826	33.29	4	976685	34.34	16	AP8121673	33.12	12
887827	33.28	5	976898	34.36	20	AP8124936	33.30	2
887827	33.29	5	976941	34.09	1	AP8127856	33.03	8
8878421	33.22	1	977527	33.14	6	AP8134378	33.23	18
887843	33.22	2	977527	33.32	4	AP8134448	33.16	2
887844	33.22	11	978311	33.28	2	AP8134451	33.05	5
887845	33.22	12	978385	33.23	12	AP8144007	33.26	4
887852	33.18	4	978415	33.14	8	AP8144071	33.23	16
887853	33.18	5	978415	33.32	9	AP8144071	34.36	23
887873	33.32	1	978570	33.18	10	AP8144081	33.07	5
887874	33.32	3	978938	34.47	19	AP8144146	33.07	3
887875	33.24	19	978939	34.47	20	AP8144553	33.22	7
887878	33.08	1	978940	33.14	10	AP8144729	33.22	17
887879	33.08	2	978943	33.14	17	AP8145034	33.04	3
887880	33.08	3	978946	33.15	1	AP8145035	33.04	10
887882	33.08	5	978947	33.15	2	AP8150015	33.36	12
887883	33.08	6	978949	33.16	1	AP8150045	34.40	11
887884	33.08	7	978951	33.01	12	AP8150178	33.24	17
887885	33.08	8	978952	33.01	16	AP8150349	33.32	6
887886	33.08	9	978960	33.18	1	AP8150377	33.28	13
887888	33.08	11	978969	33.26	3	AP8150436	33.02	12
887889	33.08	12	978970	33.26	13	AP8150450	33.14	12
887890	33.08	13	981149	33.28	12	AP8150451	33.36	19
887891	33.08	14	AP8101594	33.26	20	AP8150509	33.22	19
887893	33.08	16	AP8101595	33.12	10	AP8152043	33.19	4
887894	33.08	17	AP8101861	33.05	7	AP8152220	33.02	11
887895	33.08	18	AP8102375	33.14	15	AP8152220	34.39	18
887896	33.08	19	AP8102375	33.31	14	AP8152273	33.21	4
887898	33.08	21	AP8102520	33.22	27	AP8152277	33.04	7
887899	33.08	22	AP8102524	33.03	4	AP8152277	33.05	8
887900	33.08	23	AP8102766	33.22	23	AP8152278	33.11	2
887901	33.08	24	AP8102913	33.14	3	AP8152278	33.15	3
887902	33.08	25	AP8104525	33.22	5	AP8152279	33.15	9
887903	33.08	26	AP8104924	33.22	4	AP8152279	33.36	11
887904	33.08	27	AP8113003	33.19	15	AP8152281	34.45	9
887905	33.08	28	AP8113003	33.36	7	AP8152282	33.31	7
887908	33.26	26	AP8113004	33.19	14	AP8152288	33.27	4
887910	33.26	1	AP8113004	33.36	6	AP8152298	33.26	18
887911	33.26	24	AP8113241	33.26	22	AP8152298	34.47	6
887912	33.08	30	AP8113288	33.26	16	AP8152299	33.15	14
887913	33.08	31	AP8113553	33.26	23	AP8152299	33.30	5
887914	33.08	32	AP8120030	33.36	10	AP8152306	33.16	5
887915	33.08	33	AP8120246	34.09	10	AP8152329	33.15	11
887916	33.08	34	AP8120311	33.01	13	AP8152329	33.22	18
887917	33.08	36	AP8120416	33.30	18	AP8152329	33.22	24
887930	33.33	2	AP8120416	33.31	19	AP8152339	33.14	14
887931	33.33	3	AP8120455	33.22	9	AP8152385	33.19	16
88793900A1	33.14	1	AP8120557	33.12	11	AP8161054	33.22	15
887948	33.30	13	AP8120573	33.04	9	AP8181140	33.31	24
887952	33.26	27	AP8120573	33.05	9	AP8201358	33.22	3
890760	33.22	16				AP8201358	34.36	27





V 7  
GU121 - V7 II SPECIAL ABS 750

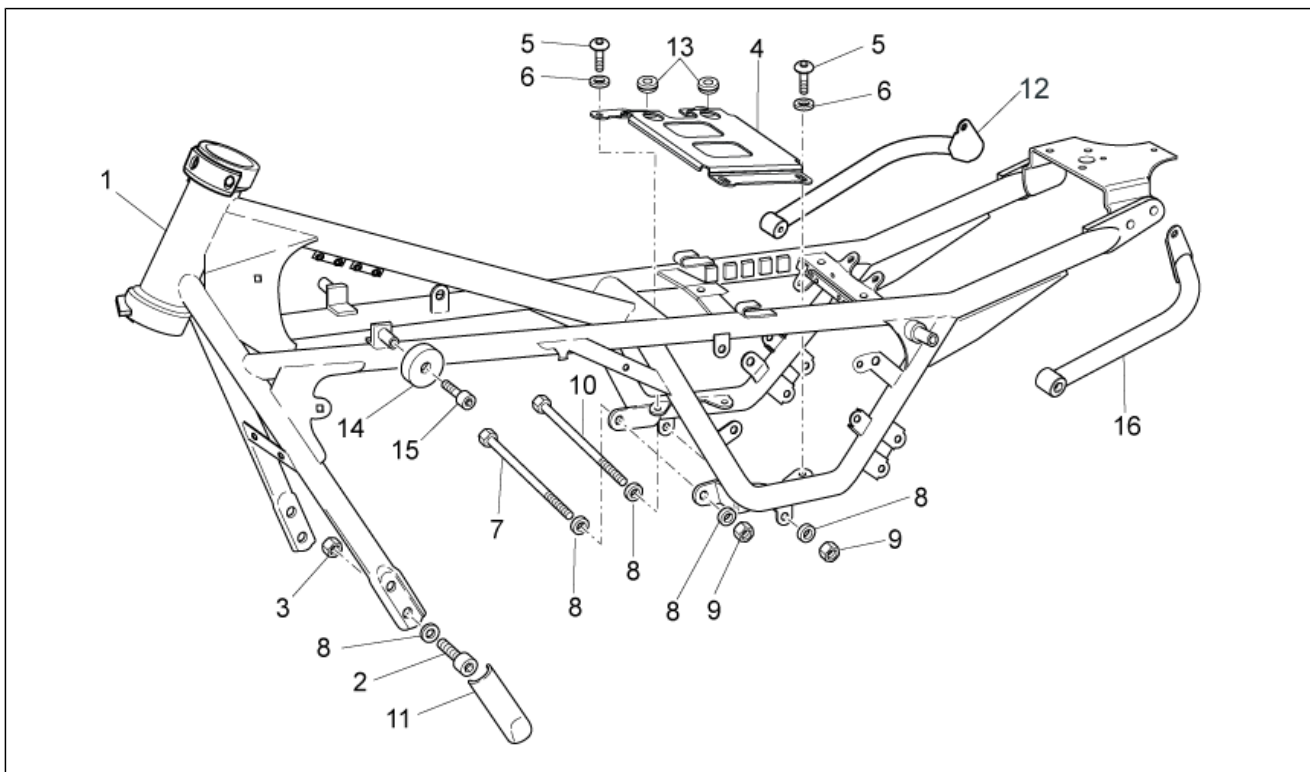
Préfixe du cadre: ZGULW200  
Préfixe du moteur:

Code	N° de tableau	Pos.	Code	N° de tableau	Pos.	Code	N° de tableau	Pos.
GU19547000	34.09	12	GU32434460	33.13	1	GU90706235	34.41	14
GU20147710	34.39	17	GU32441210	33.04	5	GU90706281	34.34	19
GU20147810	34.39	3	GU32441210	33.05	3	GU90706444	34.34	17
GU20148410	34.39	4	GU32442310	33.05	1	GU90706584	34.10	37
GU20148610	34.39	5	GU32442710	33.05	10	GU91113826	33.23	23
GU20258221	33.06	9	GU32443210	33.04	4	GU91120806	33.15	6
GU20352421	34.10	31	GU32443210	33.05	2	GU91181003	33.18	11
GU20355121	34.10	34	GU32443211	33.04	11	GU91181003	33.19	3
GU23217800	34.38	3	GU32443211	33.05	11	GU91551010	33.22	21
GU23328081	34.09	7	GU32457810	33.01	11	GU91551086	33.14	13
GU23548080	34.09	8	GU32461610	33.14	2	GU92201070	34.10	14
GU23548180	34.09	9	GU32506360	33.28	1	GU92201226	34.40	4
GU23943410	33.08	35	GU32517710	33.31	8	GU92201226	34.42	7
GU27037521	34.38	4	GU32555210	33.11	4	GU92201822	34.40	7
GU27061585	34.37	3	GU32555211	33.11	5	GU92201822	34.42	12
GU27061885	34.37	17	GU32602860	33.18	9	GU92204217	33.25	5
GU27062060	34.37	6	GU32603010	33.18	16	GU92204218	33.25	3
GU27065660	34.37	7	GU32603310	33.18	7	GU92204221	33.24	7
GU27066460	34.37	9	GU32613160	33.24	2	GU92249220	34.10	32
GU27066560	34.37	8	GU32615660	33.24	14	GU92249225	33.07	2
GU27152885	34.34	22	GU32632510	33.25	17	GU92249227	34.10	20
GU27153085	34.39	14	GU32633360	33.25	14	GU92252210	34.39	2
GU27633910	33.25	4	GU32633560	34.10	11	GU92252235	34.10	5
GU28612033	33.25	18	GU32634160	33.27	5	GU92296723	34.39	6
GU29729461	33.31	2	GU32636160	33.25	21	GU92602406	34.38	9
GU29759150	33.18	17	GU32692260	33.25	2	GU92602510	34.39	19
GU30577800	33.29	13	GU32735510	33.32	5	GU92603010	34.36	11
GU30577800	34.47	17	GU32747910	33.31	9	GU92606206	33.17	6
GU30601060	33.18	13	GU32753410	33.28	3	GU92606208	34.34	7
GU30602500	33.18	22	GU32753410	33.29	8	GU92606210	33.01	9
GU31003766	34.10	8	GU32782510	33.32	2	GU92606210	33.02	5
GU31003766	34.34	14	GU32999010	34.34	25	GU92606210	33.11	7
GU31016050	34.39	20	GU32999510	34.34	24	GU92606210	34.09	18
GU31037015	34.38	13	GU35214300	34.09	13	GU92606316	33.25	16
GU31038015	34.38	5	GU49609601	33.30	19	GU92606508	34.41	21
GU31045015	34.38	26	GU49609601	33.31	19	GU92609007	33.26	12
GU31112965	33.22	26	GU61027200	34.37	12	GU92630108	33.15	8
GU31121880	33.23	9	GU61036801	34.36	3	GU92630206	33.26	6
GU31150950	34.39	26	GU61038100	34.38	6	GU92630207	33.24	18
GU31159050	34.39	15	GU61054900	34.38	18	GU92630510	33.01	3
GU31327783	34.09	2	GU61270300	34.10	26	GU92630707	33.06	5
GU31439565	33.13	4	GU61270300	34.34	6	GU92640508	33.23	19
GU31513480	33.08	20	GU61270300	34.36	21	GU92660021	33.26	7
GU31544181	33.27	3	GU66103415	33.01	14	GU92787006	33.28	6
GU31544181	34.09	15	GU90271014	34.44	2	GU92787006	33.29	11
GU31547882	34.09	14	GU90271018	34.38	12	GU93180105	34.09	21
GU31614183	33.24	9	GU90271022	34.44	15	GU93180111	33.24	13
GU31615283	33.24	6	GU90272023	34.09	4	GU93180245	34.36	22
GU31616384	33.24	12	GU90272075	34.40	21	GU93222023	33.17	4
GU31634281	33.27	2	GU90353009	34.36	4	GU93231605	33.29	14
GU31634481	33.25	15	GU90353014	34.44	10	GU93231605	34.47	16
GU31659181	33.27	9	GU90353029	34.38	24	GU93301175	33.23	26
GU31659281	33.27	8	GU90353030	34.10	17	GU93450105	33.28	9
GU31740383	33.28	11	GU90401424	34.42	14	GU93450126	33.28	15
GU32032310	34.38	11	GU90402538	33.25	6	GU93450126	33.29	7
GU32053410	34.38	16	GU90402642	33.24	8	GU93450224	33.29	3
GU32054510	34.38	17	GU90403251	34.10	38	GU93450232	33.28	10
GU32067910	34.40	19	GU90403549	34.10	3	GU94321079	34.39	24
GU32080310	34.40	23	GU90407591	34.10	15	GU94321099	34.09	6
GU32084410	34.40	20	GU90412541	34.42	13	GU94321105	34.41	23
GU32115010	34.47	3	GU90706076	34.34	9	GU95005306	33.17	3
GU32115011	34.47	8	GU90706111	34.39	22	GU95005308	33.26	9
GU32115510	34.47	7	GU90706141	33.30	17	GU95005308	33.28	23
GU32121010	33.23	7	GU90706170	34.41	19	GU95005308	34.09	22
GU32350410	34.10	13	GU90706188	34.10	29	GU95005310	33.15	7
GU32351410	34.10	16	GU90706203	34.10	7	GU95005310	33.26	5
GU32354610	34.10	18	GU90706203	34.40	26	GU95008205	33.30	16



Code	N° de tableau	Pos.	Code	N° de tableau	Pos.
GU95008206	34.39	23	GU98682416	33.04	12
GU95008208	33.01	6	GU98682416	33.05	14
GU95008208	34.46	3	GU98682416	33.32	7
GU95008210	33.01	8	GU98682430	33.12	9
GU95008210	33.02	6	GU98682435	34.46	2
GU95008210	33.31	4	GU98682530	33.01	2
GU95008210	34.09	17	GU98690335	33.11	8
GU95008305	33.18	20	GU98690335	33.18	8
GU95008306	34.40	18	GU98690435	33.15	5
GU95020105	33.03	10	GU98690440	33.23	17
GU95021104	33.19	2	GU98692325	34.36	16
GU95021105	33.18	21	GU98692414	33.17	11
GU95021206	33.17	5	GU98692420	33.28	22
GU95021206	33.28	8	GU98880540	33.28	21
GU95021206	33.29	10	GU98882316	34.38	21
GU95100059	33.31	13			
GU95100116	34.47	12			
GU95100125	34.45	11			
GU95100244	34.38	29			
GU95100309	34.39	27			
GU95100602	34.39	25			
GU95100709	34.34	21			
GU95129115	34.38	22			
GU95129180	34.34	27			
GU95129180	34.36	13			
GU95129181	33.11	6			
GU95129260	33.06	3			
GU95187006	34.39	13			
GU95500221	33.26	10			
GU95500222	34.41	22			
GU96451430	34.34	3			
GU96451560	34.34	2			
GU96506042	34.36	5			
GU96508055	34.10	12			
GU96508055	34.34	4			
GU96510181	34.36	15			
GU96510214	34.36	14			
GU97202325	33.18	12			
GU98054422	34.38	28			
GU98082565	33.02	7			
GU98084314	34.39	12			
GU98110199	33.01	7			
GU98210612	33.23	27			
GU98230510	33.16	4			
GU98230510	33.18	19			
GU98350215	33.29	12			
GU98350416	33.01	5			
GU98370515	34.47	18			
GU98370609	33.17	2			
GU98370625	33.14	4			
GU98370625	33.26	17			
GU98370655	33.28	7			
GU98370655	33.29	9			
GU98370845	33.13	3			
GU98612216	33.03	9			
GU98612216	33.25	19			
GU98622322	34.47	9			
GU98632322	33.06	6			
GU98680545	34.09	16			
GU98682212	33.30	15			
GU98682212	33.31	12			
GU98682212	34.45	5			
GU98682312	33.25	20			
GU98682325	34.34	11			
GU98682325	34.35	3			
GU98682330	34.35	4			
GU98682414	33.01	15			

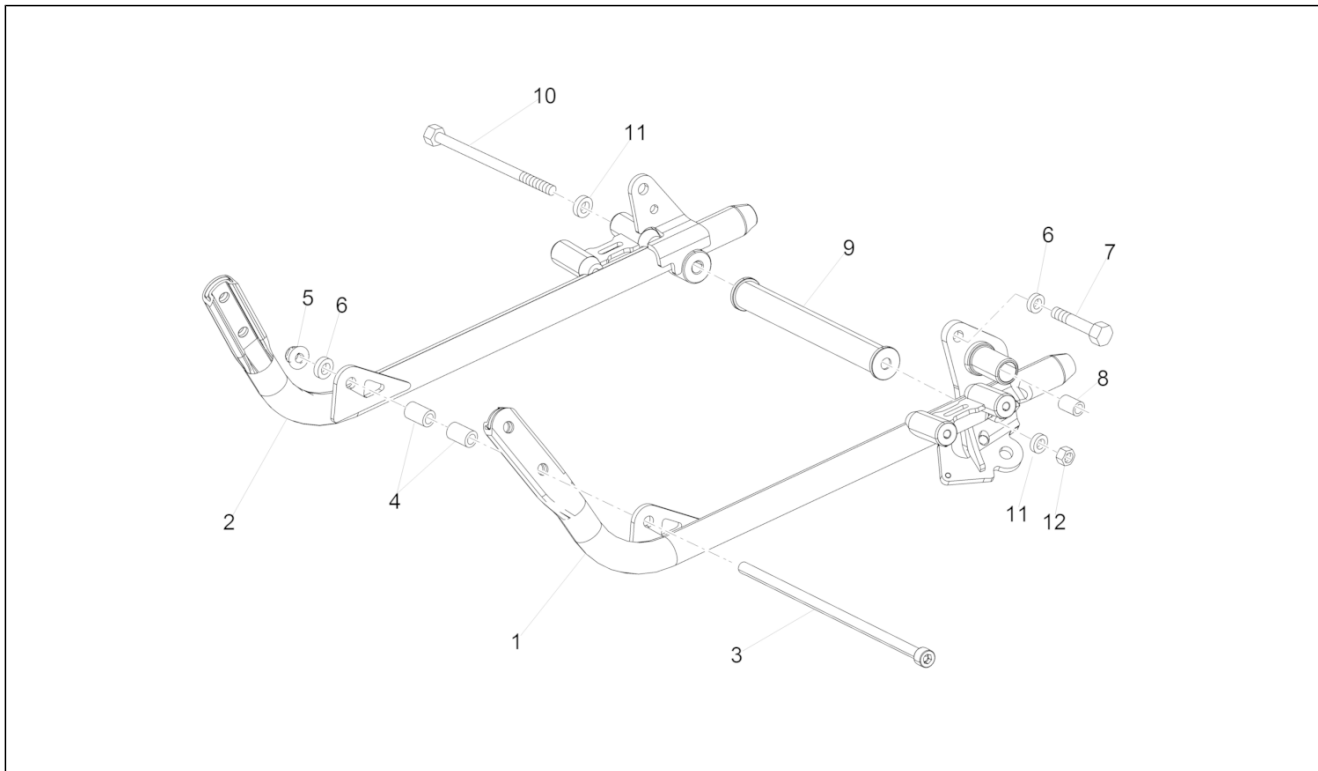
<b>Groupe</b>	CHASSIS
<b>Code</b>	33.01
<b>Description</b>	Chassis I
<b>Révision</b>	1



Pos.	Code	Description	Quant	Variants
1	2B000975	Châssis, noir	1	
2	GU98682530	Vis M10x30	4	
3	GU92630510	Ecrou M10x1,5	4	
4	B063287	Plaque de liaison du cadre	1	
5	GU98350416	Vis M8x16	4	
6	GU95008208	Rondelle 8,4X15X1,5	4	
7	GU98110199	Pivot M10x205	1	
8	GU95008210	Rondelle 10,2X18X2	11	
9	GU92606210	Ecrou M10x1,5	3	
10	2B001035	Pivot 234X10	2	
11	GU32457810	Protection	2	
12	978951	Poignée D	1	
13	AP8120311	Caoutchouc *	2	
14	GU66103415	Caoutchouc	2	
15	GU98682414	Vis	2	
16	978952	Poignée g.	1	

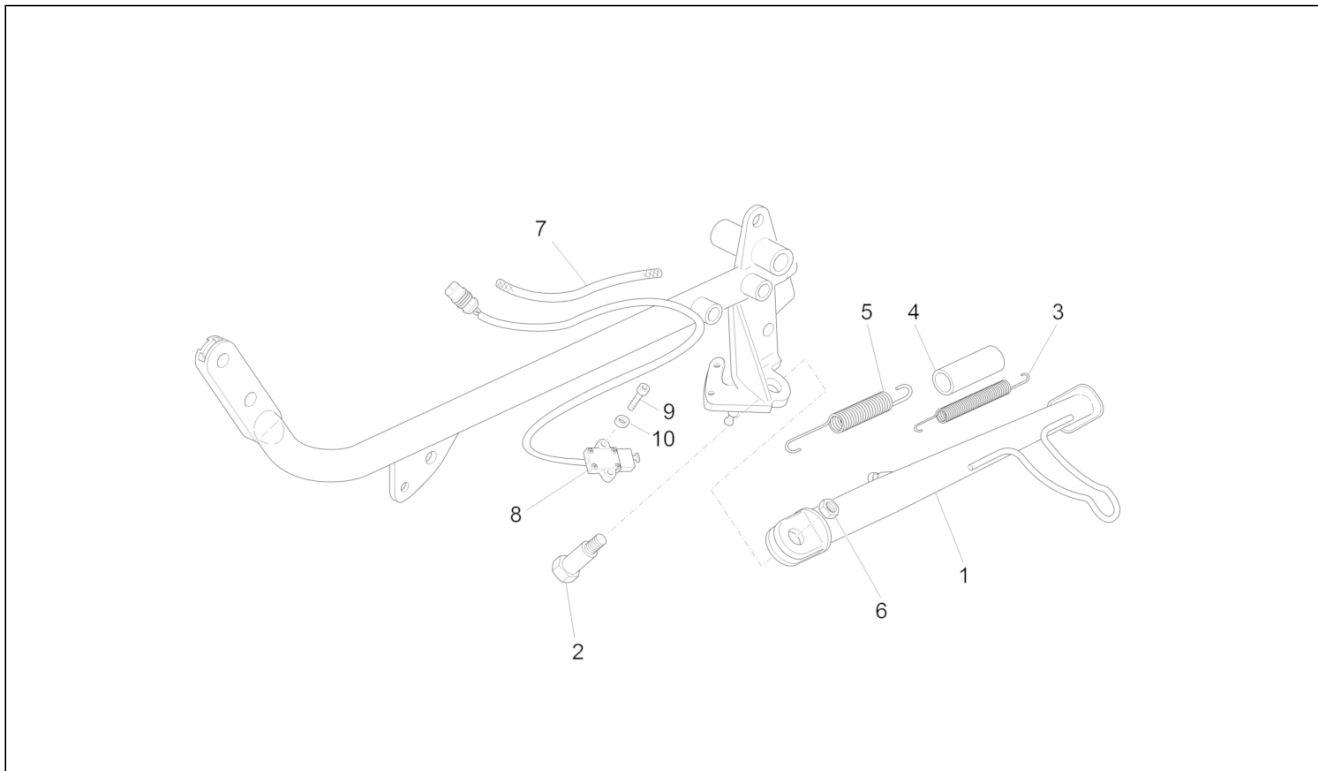


<b>Groupe</b>	CHASSIS
<b>Code</b>	33.02
<b>Description</b>	Chassis II
<b>Révision</b>	1



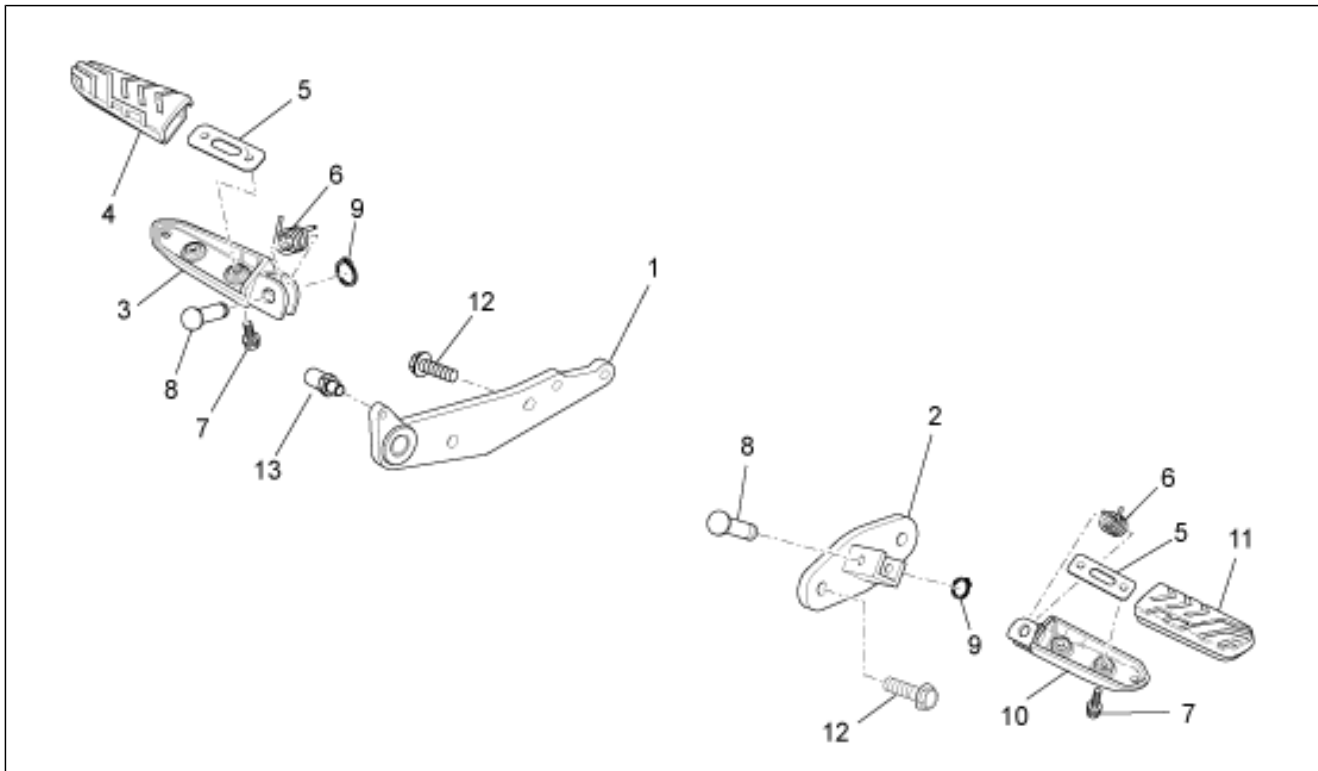
Pos.	Code	Description	Quant	Variants
1	2B000980	Braccio culla SX	1	
2	2B000988	Braccio culla DX	1	
3	2B001612	Pivot M10X199	1	
4	GU19017000	Douille	2	
5	GU92606210	Ecrou M10x1,5	3	
6	GU95008210	Rondelle 10,2X18X2	3	
7	GU98082565	Vis M10x65	2	
8	2B001008	Douille	1	
9	2B001004	Traverse	1	
10	2B001230	Pivot 278X10	1	
11	AP8152220	Rondelle	2	
12	AP8150436	Ecrou autofr. bas	1	

<b>Groupe</b>	CHASSIS
<b>Code</b>	33.03
<b>Description</b>	Béquille latérale
<b>Révision</b>	1



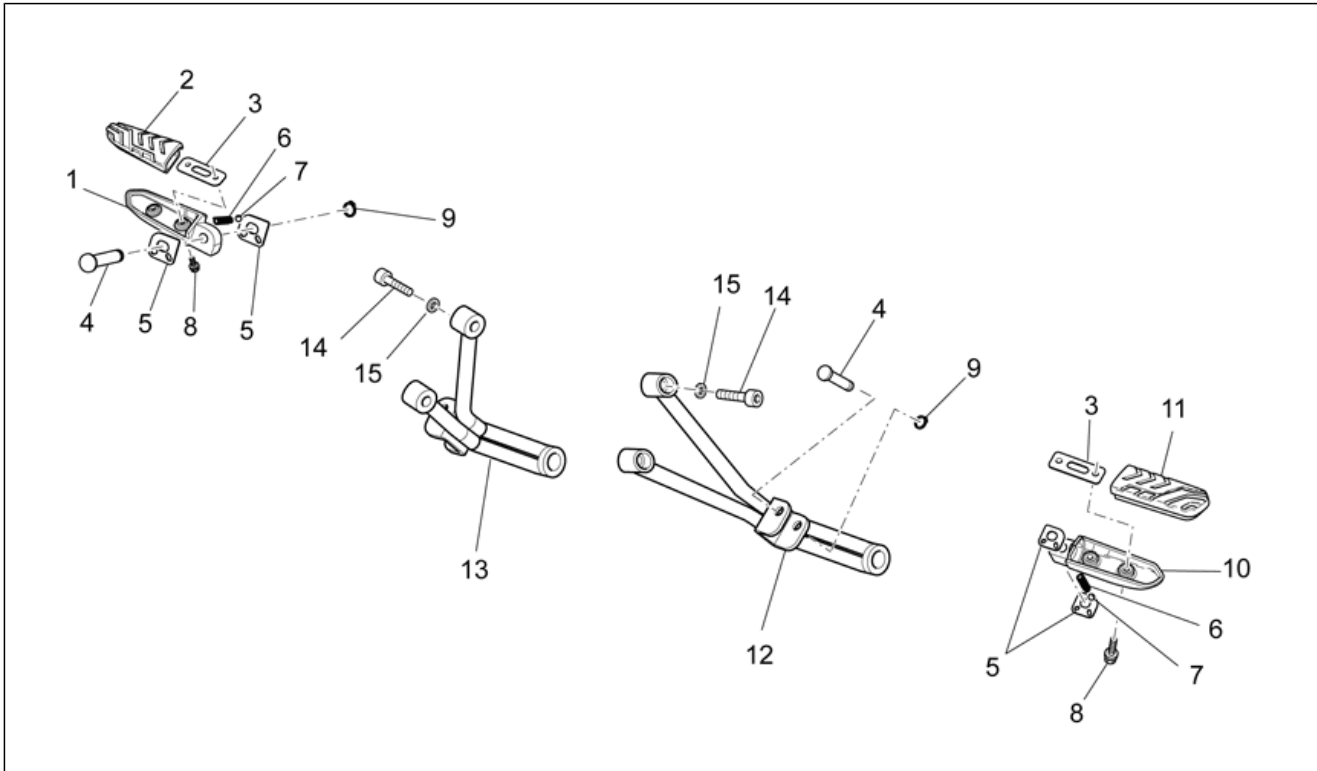
Pos.	Code	Description	Quant	Variants
1	2B001033	Béquille latérale	1	
2	AP8121375	Vis fix. béquille	1	
3	AP8121014	Ress.hél.cyl.tract. *	1	
4	AP8102524	Protec.ress.béquille	1	
5	AP8221197	Ressort rappel béq.	1	
6	967356	Ecrou bridé M10x1,25	1	
7	GU00823923140	Gaine thermique	1	
8	AP8127856	Interrupteur béquille	1	
9	GU98612216	Vis	2	
10	GU95020105	Rondelle 5,3x8,9x2,4	2	

<b>Groupe</b>	CHASSIS
<b>Code</b>	33.04
<b>Description</b>	R-pied pilote
<b>Révision</b>	1



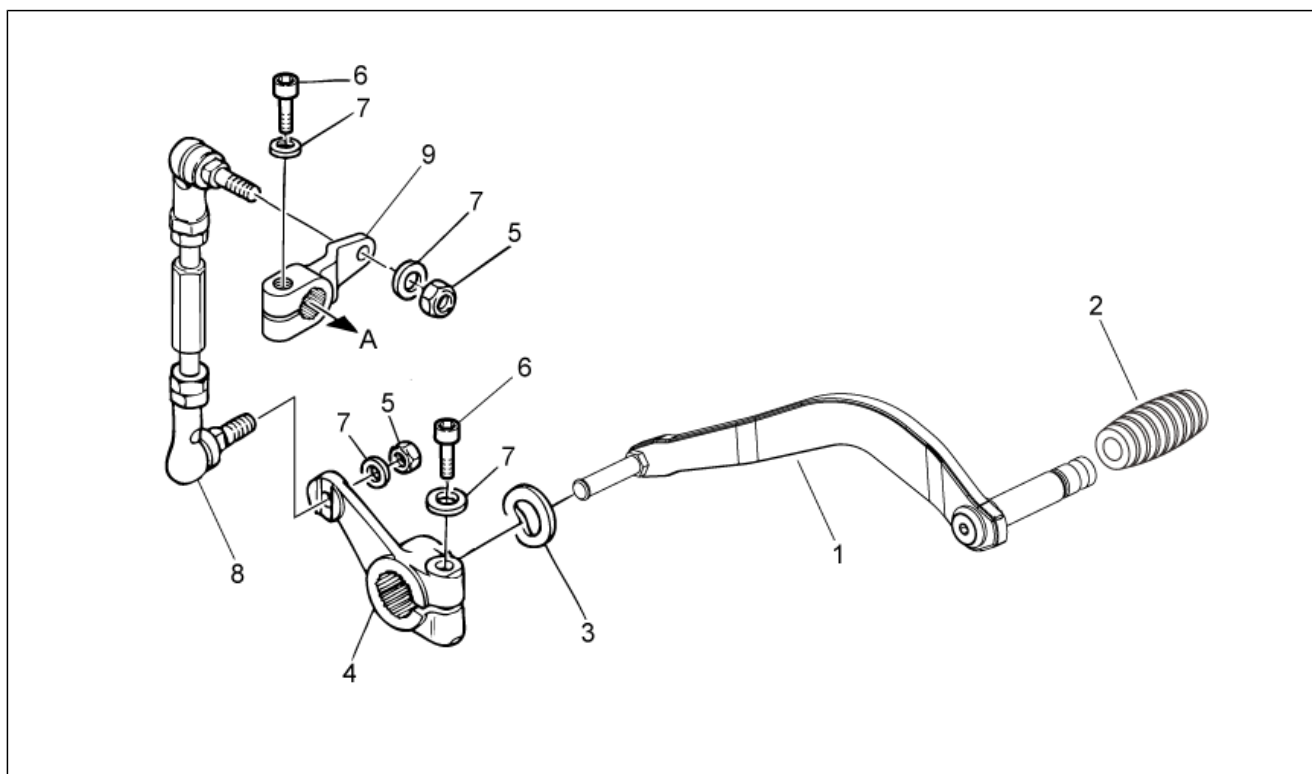
Pos.	Code	Description	Quant	Variants
1	883051	Support repose-pieds dte	1	
2	883052	Support r-p. G	1	
3	AP8145034	R-pied pilote D	1	
4	GU32443210	Coautchouc pour support	1	
5	GU32441210	Plaquette	2	
6	AP8221277	Ressort retour repose-pieds	2	
7	AP8152277	Vis bride M6x12	4	
8	CM228401	Pivot repose-pieds	2	
9	AP8120573	Anneau d'arrêt rad.	2	
10	AP8145035	R-pied pilote G	1	
11	GU32443211	Coautchouc pour support	1	
12	GU98682416	Vis M8x16	4	
13	B063132	Utée	1	

<b>Groupe</b>	CHASSIS
<b>Code</b>	33.05
<b>Description</b>	R-pied pass.
<b>Révision</b>	1



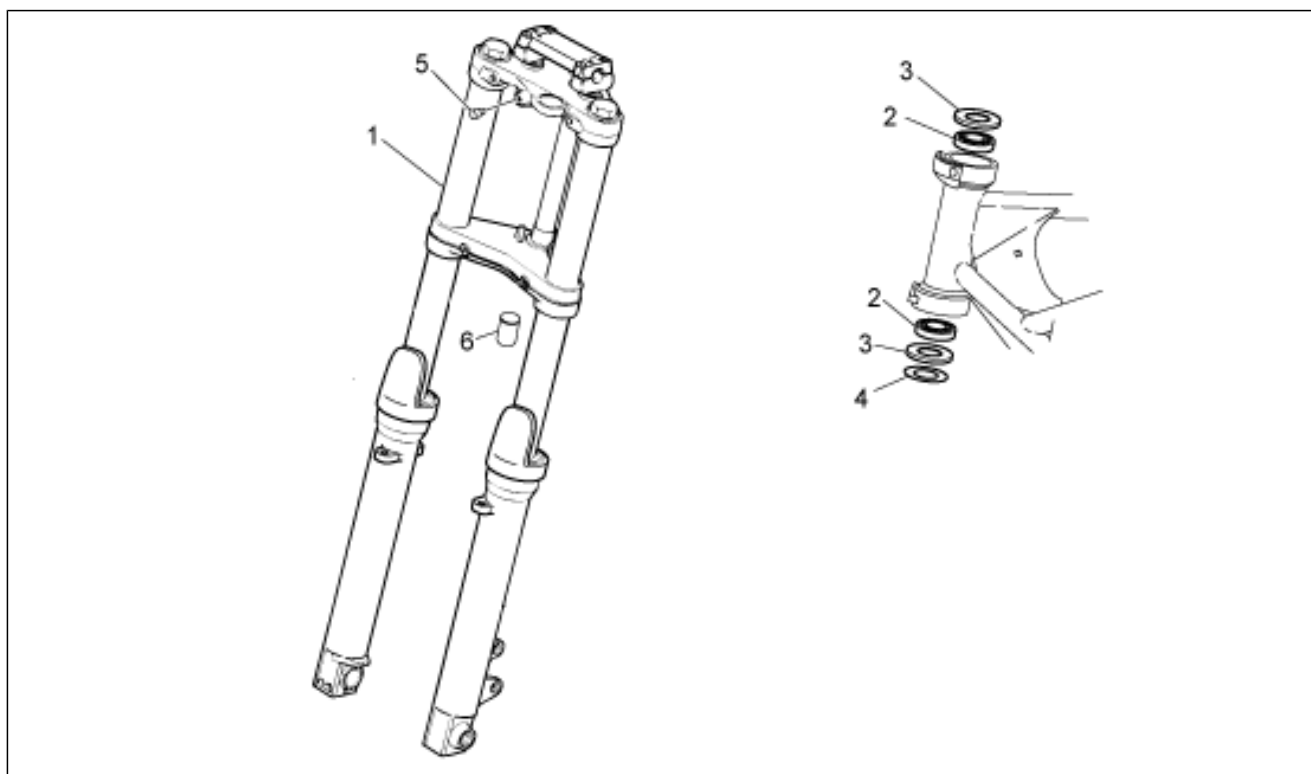
Pos.	Code	Description	Quant	Variants
1	GU32442310	Rep-pieds pass.dte	1	
2	GU32443210	Coatoucou pour support	1	
3	GU32441210	Plaquette	2	
4	CM228401	Pivot repose-pieds	2	
5	AP8134451	Plaque fdc r-pied	4	
6	AP8121133	Res. hélic. compr	2	
7	AP8101861	Bille D6,35	2	
8	AP8152277	Vis bride M6x12	4	
9	AP8120573	Anneau d'arrêt rad.	2	
10	GU32442710	Rep-p. pass.gche	1	
11	GU32443211	Coatoucou pour support	1	
12	2B000349	Supporto pedane passeggero sx con Pi	1	
13	2B000348	Supporto pedane passeggero dx con PI	1	
14	GU98682416	Vis M8x16	4	
15	GU14615901	Rondelle 8,4X13X0,8	4	

<b>Groupe</b>	CHASSIS
<b>Code</b>	33.06
<b>Description</b>	Levier boîte de vitesses
<b>Révision</b>	1



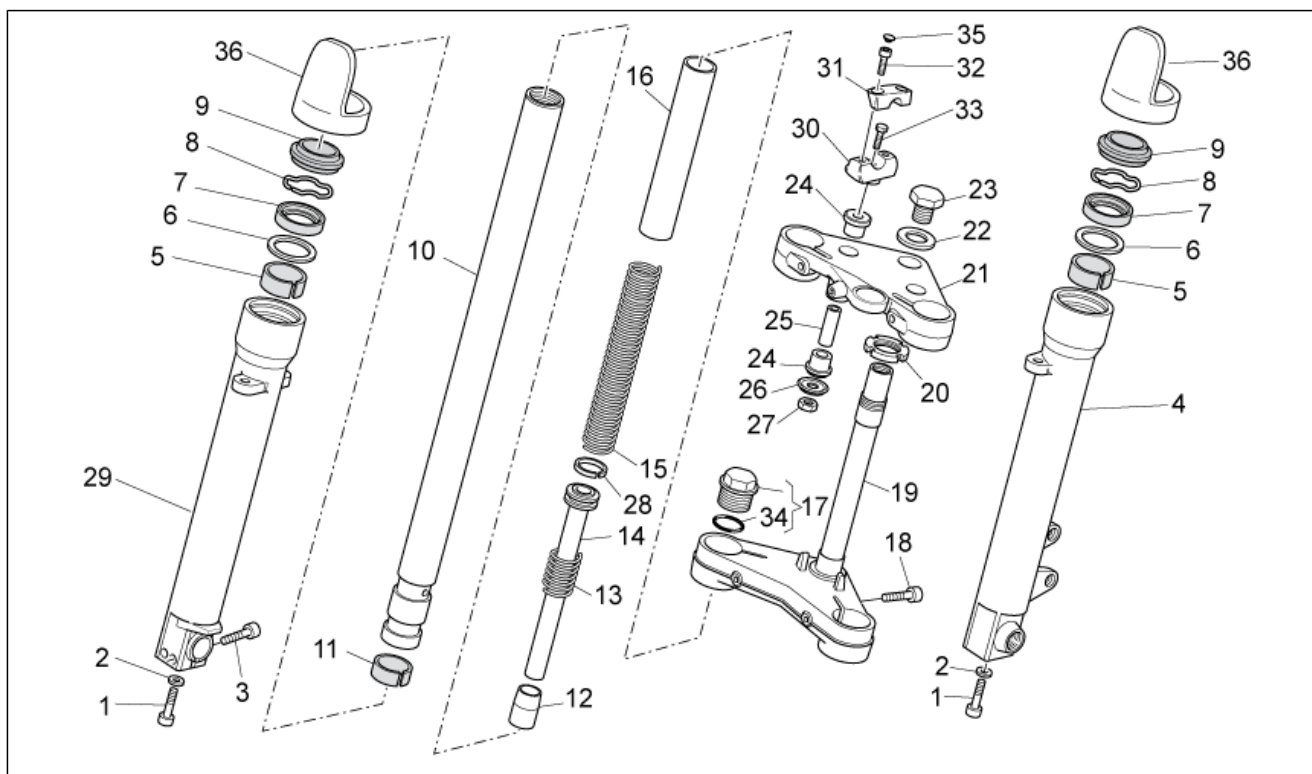
Pos.	Code	Description	Quant	Variants
1	2B001096	Levier boîte de vitesses	1	
2	AP8120912	Caoutchouc pour levier	1	
3	GU95129260	Rondelle élastique	2	
4	898283	Lavier commande chang. vit.	1	
5	GU92630707	Ecrou	2	
6	GU98632322	Vis	2	
7	GU03013800	Rondelle 6,4x12	3	
8	2B001941	Tringle de commande de boîte de vitesses	1	
9	GU20258221	Levier de commande	1	

<b>Groupe</b>	CHASSIS
<b>Code</b>	33.07
<b>Description</b>	Fourche Av. I
<b>Révision</b>	1



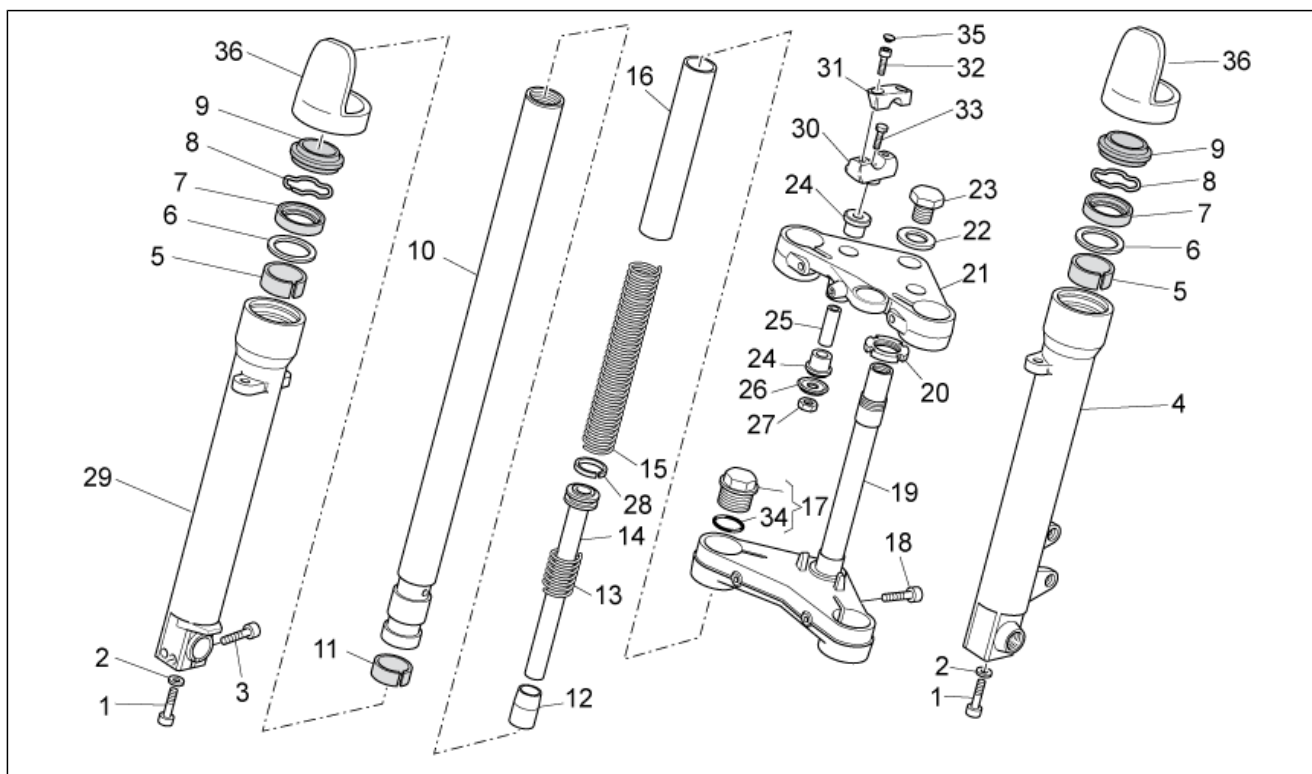
Pos.	Code	Description	Quant	Variants
1	2B001427	Fourche complète	1	
2	GU92249225	Roulement roul.con.	2	
3	AP8144146	Bague d'étanchéité	1	
4	AP8121307	Rondelle	1	
5	AP8144081	Caoutchouc	1	
6	AP8220460	Rondelle en caoutchouc	1	

<b>Groupe</b>	CHASSIS
<b>Code</b>	33.08
<b>Description</b>	Fourche Av. II
<b>Révision</b>	1



Pos.	Code	Description	Quant	Variants
1	887878	Vis M10x30	2	
2	887879	Rondelle	2	
3	887880	Vis	2	
4	2R000110	Fourreau G	1	
5	887882	Douille supérieure	2	
6	887883	Rondelle	2	
7	887884	Bague d'étanchéité	2	
8	887885	Bague de butée	2	
9	887886	Pare-poussière	2	
10	2B001591	Tige	2	
11	887888	Douille	2	
12	887889	Tampon	2	
13	887890	Contre-ressort	2	
14	887891	Elém.pompage cpl	2	
15	2R000243	Ressort	2	
16	887893	Tuyau	2	
17	887894	Gr. bouchon cpl.	2	
18	887895	Vis	2	
19	887896	Base avec tube	1	
20	GU31513480	Bague M25X1	1	
21	887898	Plaque supérieure	1	
22	887899	Rondelle	1	
23	887900	Ecrou	1	
24	887901	Caoutchouc	4	
25	887902	Entretoise	2	
26	887903	Rondelle	2	
27	887904	Ecrou	2	
28	887905	Segment	2	

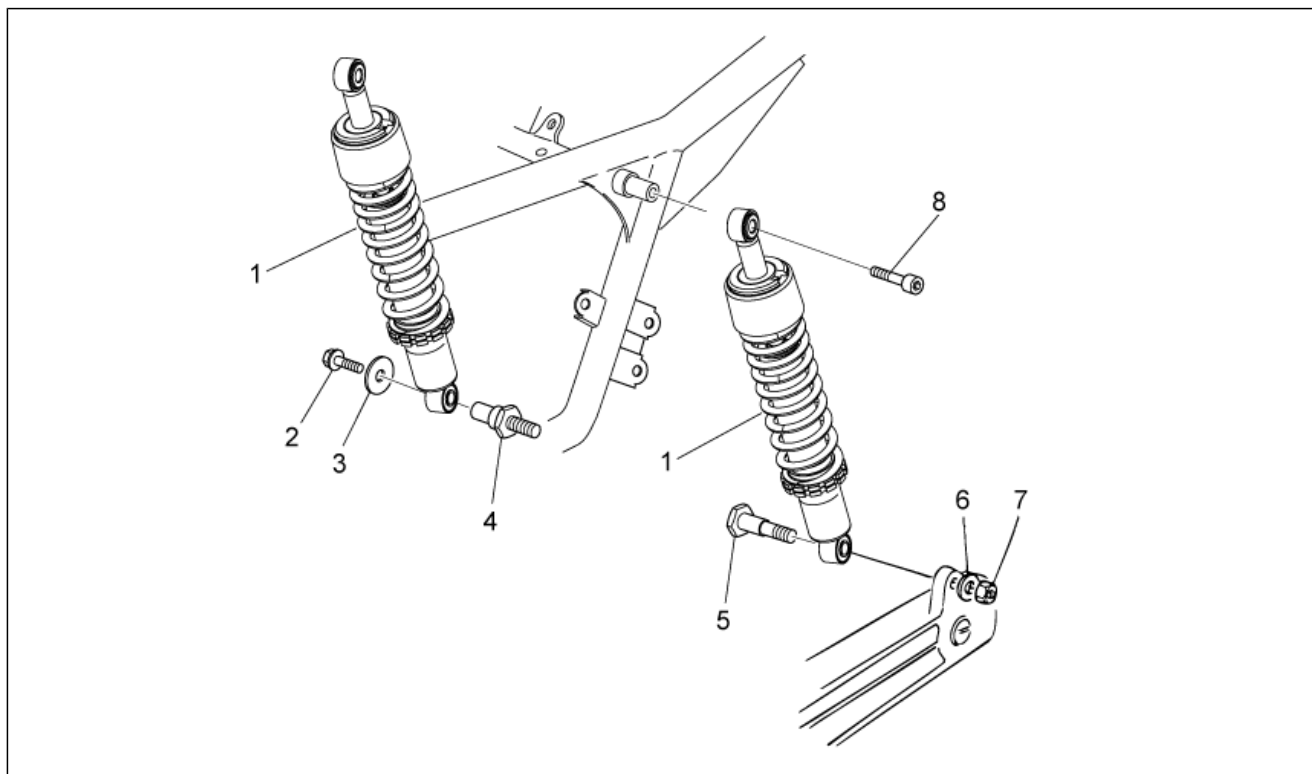
<b>Groupe</b>	CHASSIS
<b>Code</b>	33.08
<b>Description</b>	Fourche Av. II
<b>Révision</b>	1



Pos.	Code	Description	Quant	Variants
29	2R000109	Fourreau D	1	
30	887912	Cavalier inf.	2	
31	887913	Cavalier sup.	2	
32	887914	Vis M8x30	4	
33	887915	Vis M10x60	2	
34	887916	Joint torique 4118	2	
35	GU23943410	Bouchon	4	
36	887917	Prot. Tige	2	

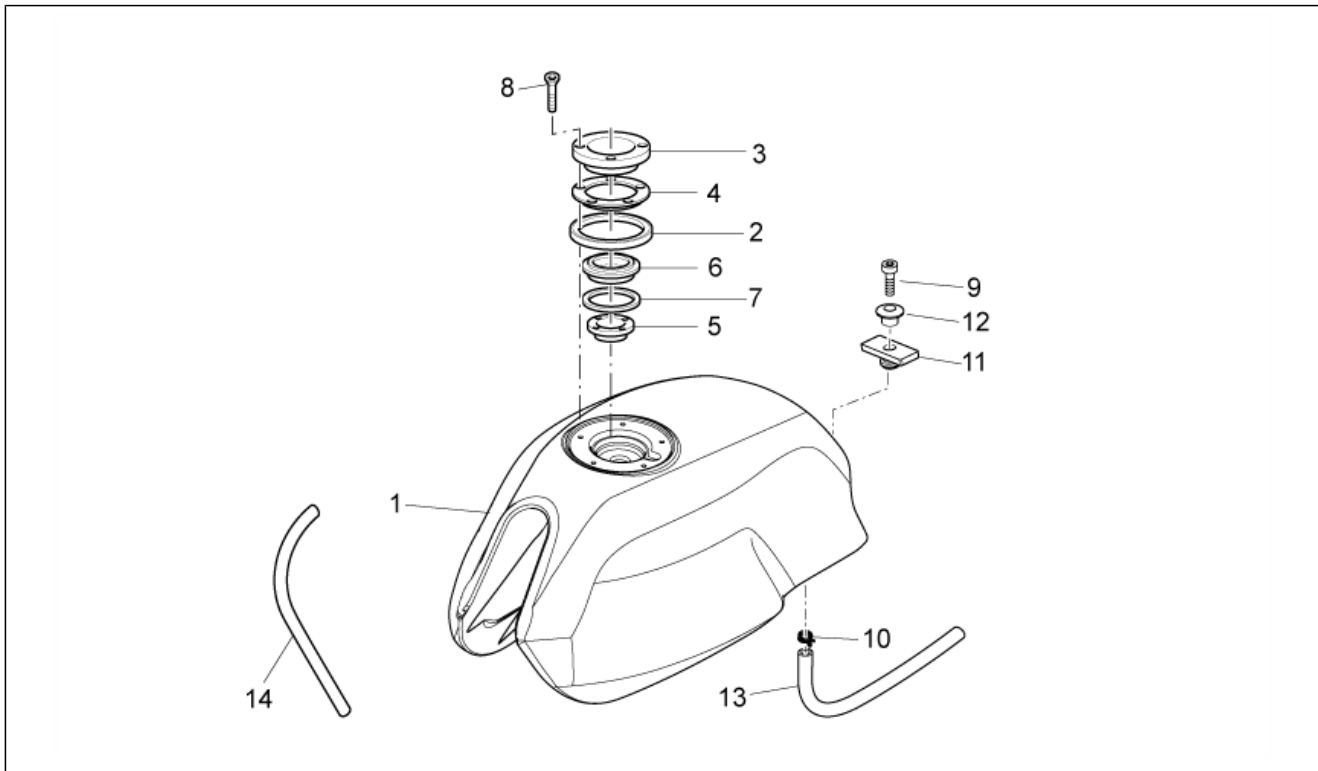


<b>Groupe</b>	CHASSIS
<b>Code</b>	33.11
<b>Description</b>	Amortisseur AR
<b>Révision</b>	1



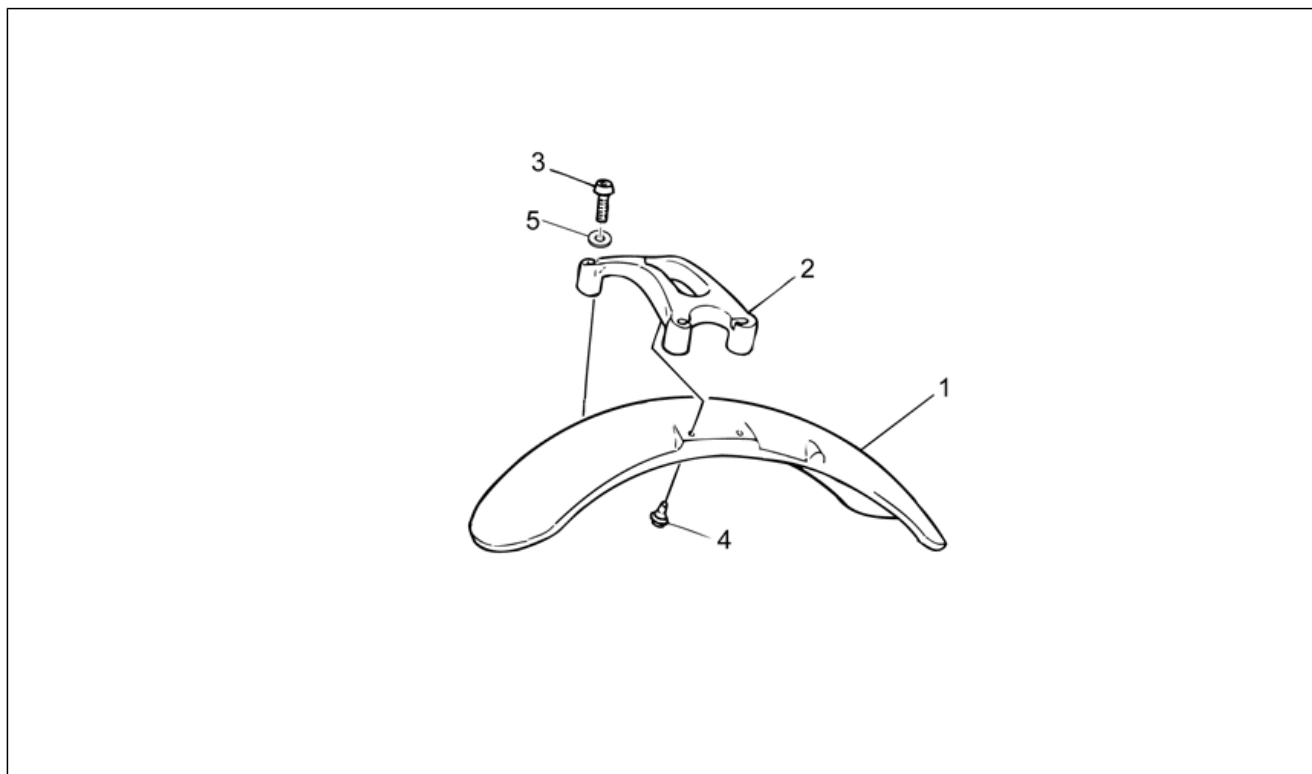
Pos.	Code	Description	Quant	Variants
1	884035	Amortisseur AR	2	
1	B063749	Amortisseur AR	2	<b>Spécifications techniques:</b> Olle Amortidors SL[O]
2	AP8152278	Vis bride M6x16	1	
3	898164	Entretoise amortis.	1	
4	GU32555210	Pivot	1	
5	GU32555211	Pivot	1	
6	GU95129181	Rondelle	1	
7	GU92606210	Ecrou M10x1,5	1	
8	GU98690335	Vis	2	

<b>Groupe</b>	CHASSIS
<b>Code</b>	33.12
<b>Description</b>	Réservoir essence
<b>Révision</b>	1



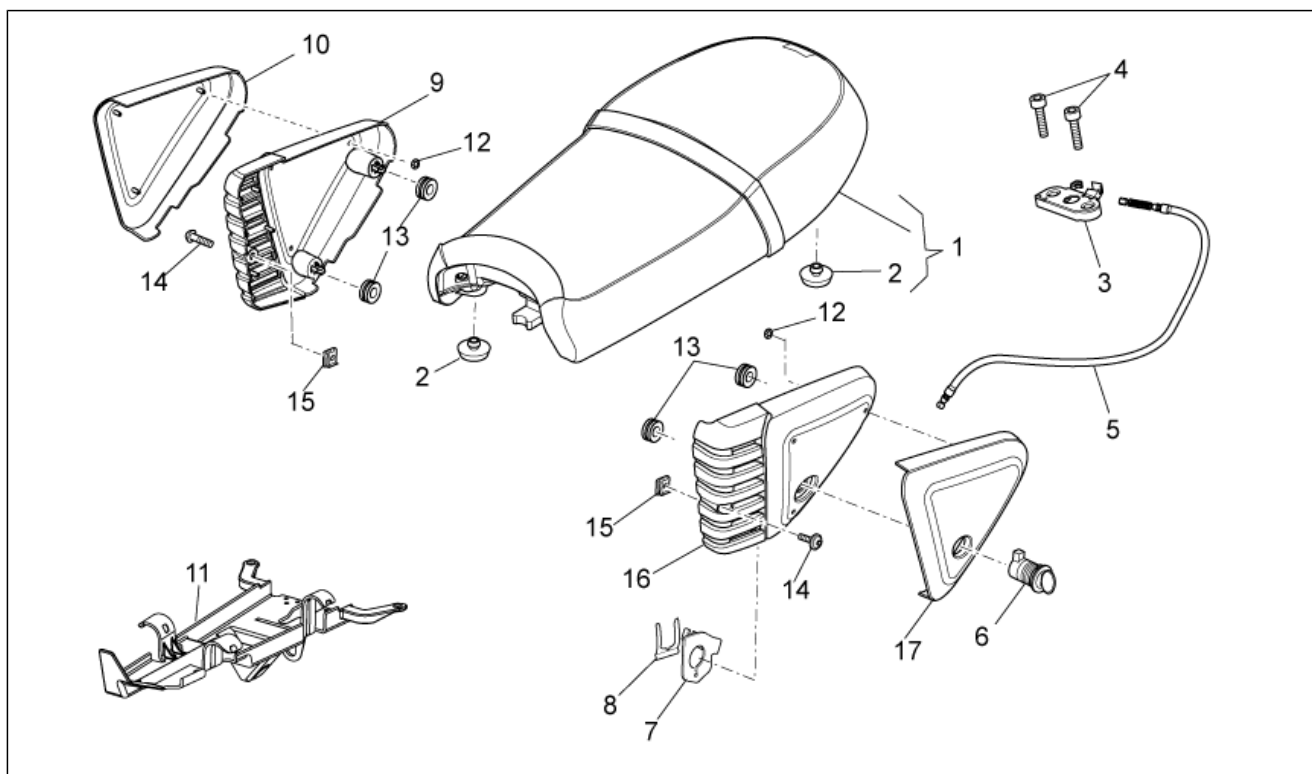
Pos.	Code	Description	Quant	Variants
1	2H000019000XN2	Réservoir noir	1	<b>Couleur véhicule:</b> Noir Competition[nc] <b>Spécifications techniques:</b> Avec autocollant[D]
1	2H000663000YA4	Réservoir ess. bleu	1	<b>Couleur véhicule:</b> Azzurro Vieste[az] <b>Spécifications techniques:</b> Avec autocollant[D]
1	2H000663000YR6	Réservoir essence peint rouge	1	<b>Couleur véhicule:</b> Rosso Daytona[rd] <b>Spécifications techniques:</b> Avec autocollant[D]
1	887207	Réservoir d'ess. écru	1	<b>Couleur véhicule:</b> Brut[gr]
2	GU03102400	Joint	1	
3	GU03101900	Bride	1	
4	GU03103500	Bague	1	
5	GU03101720	Reduction 38 mm	1	
6	GU03102200	Embout pour bouchon	1	
7	GU03101600	Joint	2	
8	GU03103200	Vis	5	
9	GU98682430	Vis M8x30	1	
10	AP8101595	Collier D10,1	1	
11	AP8120557	Caoutchouc réserv.	1	
12	AP8121673	Douille en "T" *	1	
13	GU00823944050	Tuyau 5X9	1	
14	2B000909	Joint	1	

<b>Groupe</b>	CHASSIS
<b>Code</b>	33.13
<b>Description</b>	Carrosserie av. - Garde-boue AV
<b>Révision</b>	1



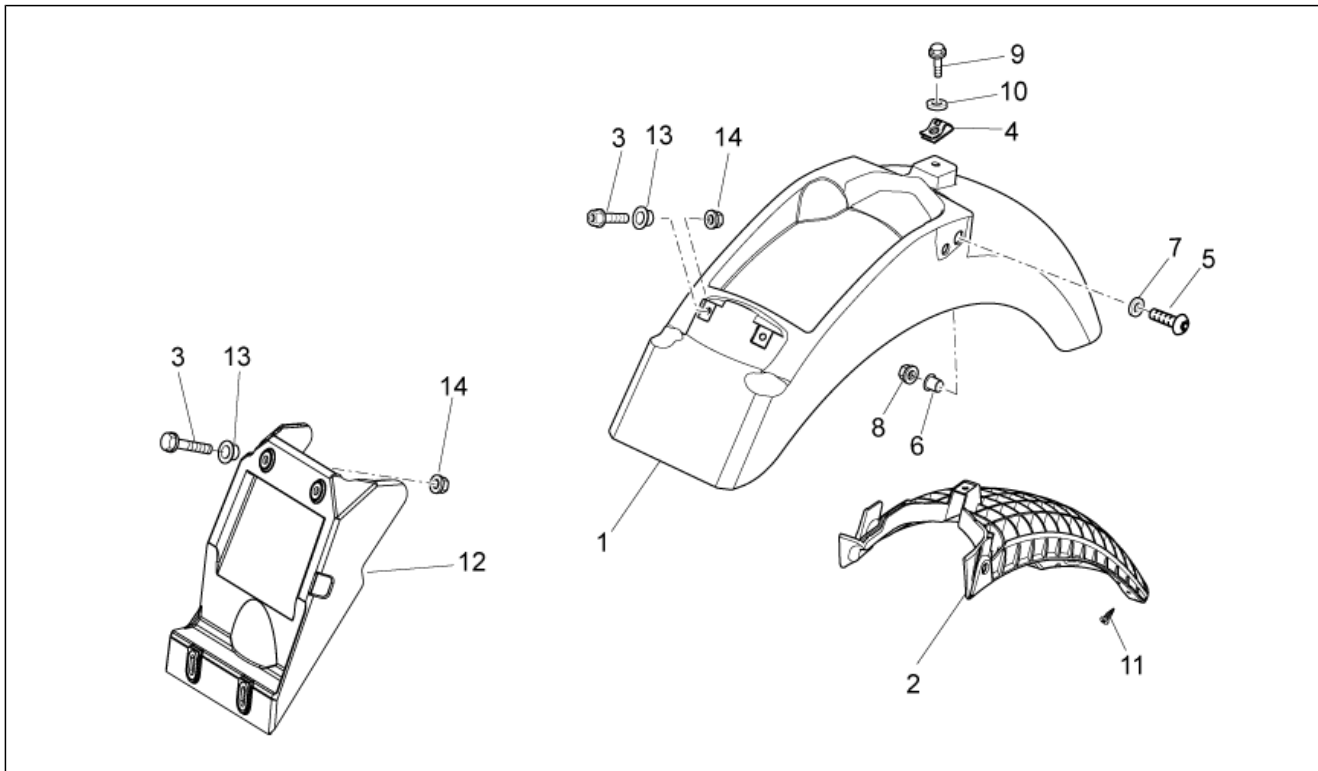
Pos.	Code	Description	Quant	Variants
1	88635200XN2	Garde-boue AV noir	1	<b>Couleur véhicule:</b> Azzurro Vieste[az], Noir Competition[nc], Rosso Daytona[rd] <b>Spécifications techniques:</b> Avec autocollant[D]
1	GU32434460	Garde-boue av.brut	1	<b>Couleur véhicule:</b> Brut[gr]
2	883266	Plaque de stabilisation	1	
3	GU98370845	Vis	4	
4	GU31439565	Vis spéciale	4	
5	GU14615901	Rondelle 8,4X13X0,8	4	

<b>Groupe</b>	CHASSIS
<b>Code</b>	33.14
<b>Description</b>	Selle-Carosserie cent.
<b>Révision</b>	1



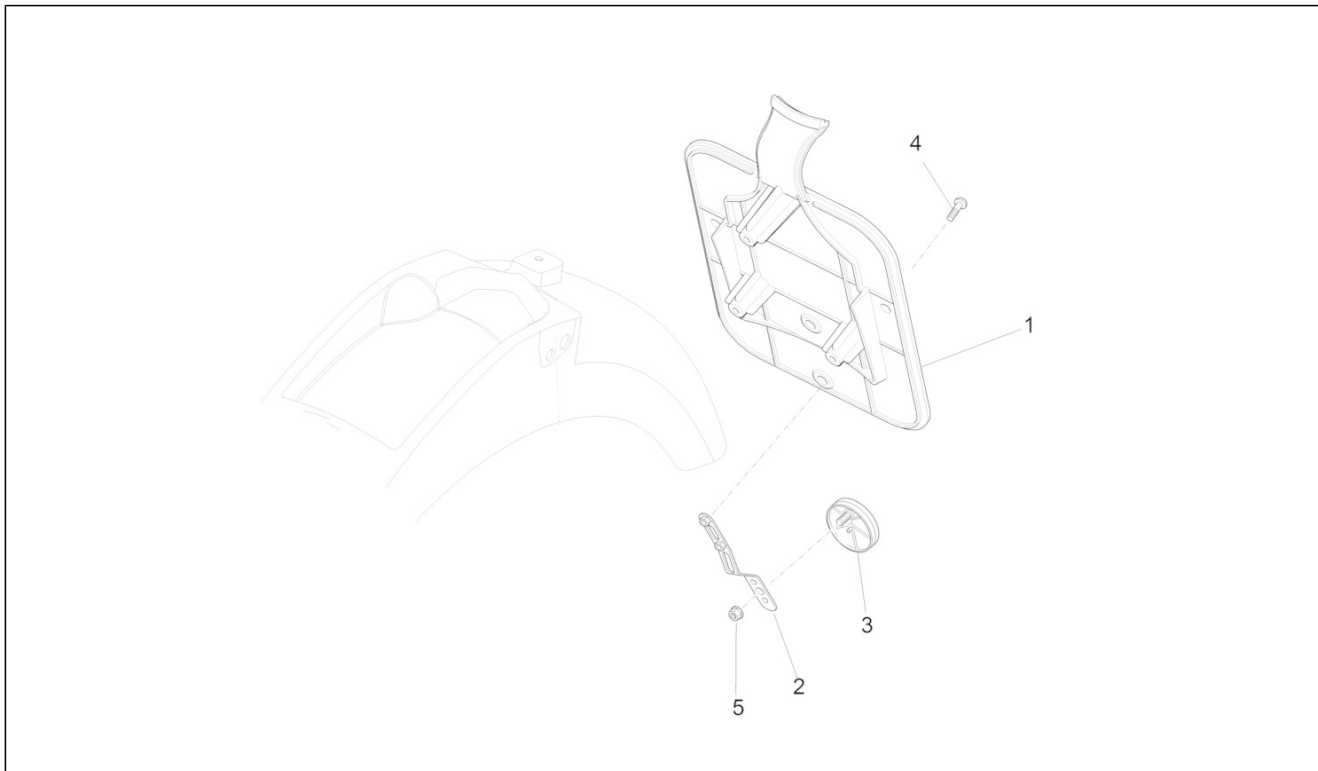
Pos.	Code	Description	Quant	Variants
1	88793900A1	Selle deux places	1	
2	GU32461610	Caoutchouc	8	
3	AP8102913	Pl.fix.selle pass.	1	
4	GU98370625	Vis	2	
5	883295	Transmission décrochement sell	1	
6	977527	Serrure avec clés	1	
7	AP8121420	Ressort à fourche	1	
8	978415	Plaque support câble	1	
9	2B000878	Flanc D	1	
10	2H000728000XN2	Flanc D, noir	1	<b>Couleur véhicule:</b> Azzurro Vieste[az], Noir Competition[nc], Rosso Daytona[rd] <b>Spécifications techniques:</b> Avec autocollant[D]
10	978940	Flanc D, brute	1	<b>Couleur véhicule:</b> Brut[gr]
11	B063431	Protection	1	
12	AP8150450	Rondelle pour arbres D5	1	
13	GU91551086	Caoutchouc	4	
14	AP8152339	Vis bride M5x9	2	
15	AP8102375	Clip m5	2	
16	2B000840	Flanc G	1	
17	2H000729000XN2	Flanc G, noir	1	<b>Couleur véhicule:</b> Azzurro Vieste[az], Noir Competition[nc], Rosso Daytona[rd] <b>Spécifications techniques:</b> Avec autocollant[D]
17	978943	Flanc G, brute	1	<b>Couleur véhicule:</b> Brut[gr]

<b>Groupe</b>	CHASSIS
<b>Code</b>	33.15
<b>Description</b>	Carrosserie arrière I- Garde-boue
<b>Révision</b>	1



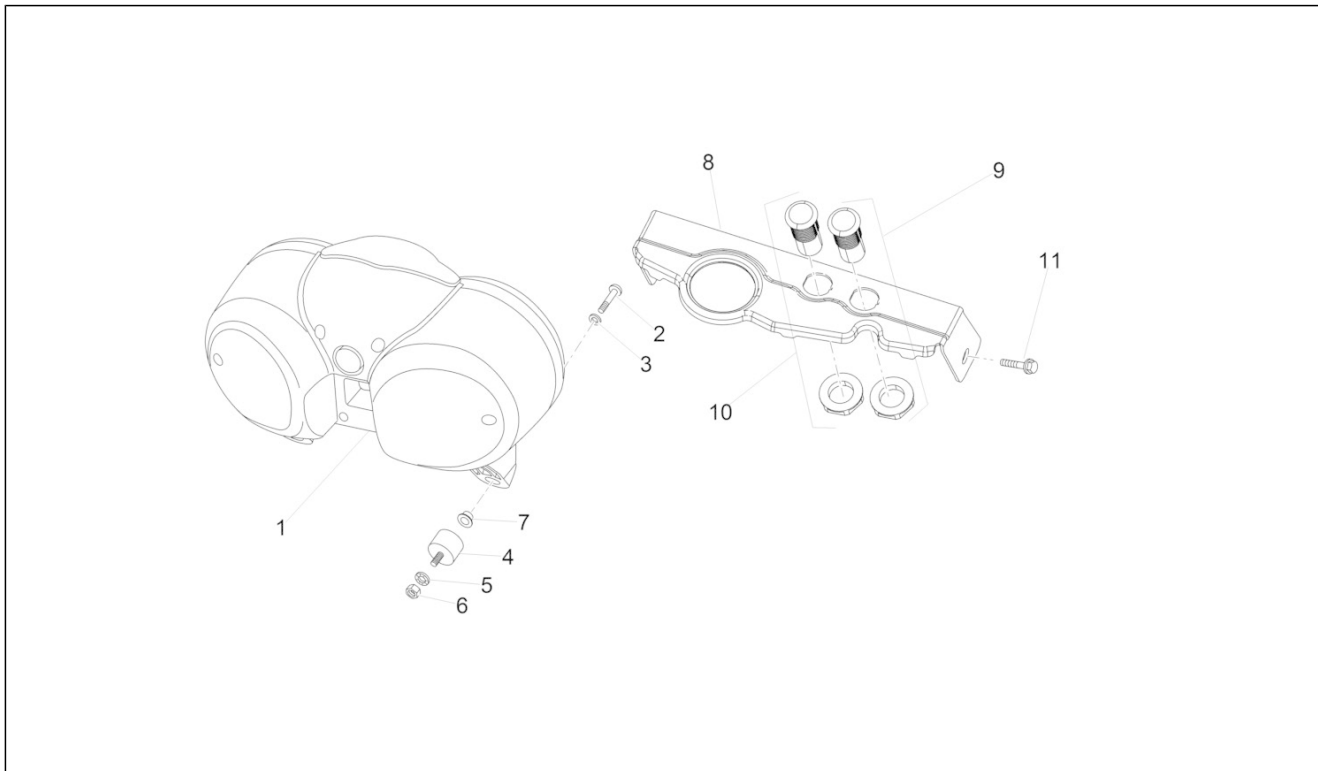
Pos.	Code	Description	Quant	Variants
1	978946	Garde-boue ar.brut	1	Couleur véhicule:Brut[gr]
1	97894600XN2	Garde-boue arrière noir	1	Couleur véhicule:Noir Competition[nc]
2	978947	Soutien	1	
3	AP8152278	Vis bride M6x16	4	
4	254485	Plaque élastique M6	1	
5	GU98690435	Vis M8x35	2	
6	GU91120806	Entretoise	2	
7	GU95005310	Rondelle 8,4x18x2	2	
8	GU92630108	Ecrou	2	
9	AP8152279	Vis bride M6x20	2	
10	AP8121032	Douille	2	
11	AP8152329	Vis SWP crois. brid. M5x20	3	
12	2B001783	Bavolet AR	1	
13	AP8121032	Douille	6	
14	AP8152299	Ecrou autobloqu. M6	6	

<b>Groupe</b>	CHASSIS
<b>Code</b>	33.16
<b>Description</b>	Carrosserie arrière II- Porte-plaque
<b>Révision</b>	1



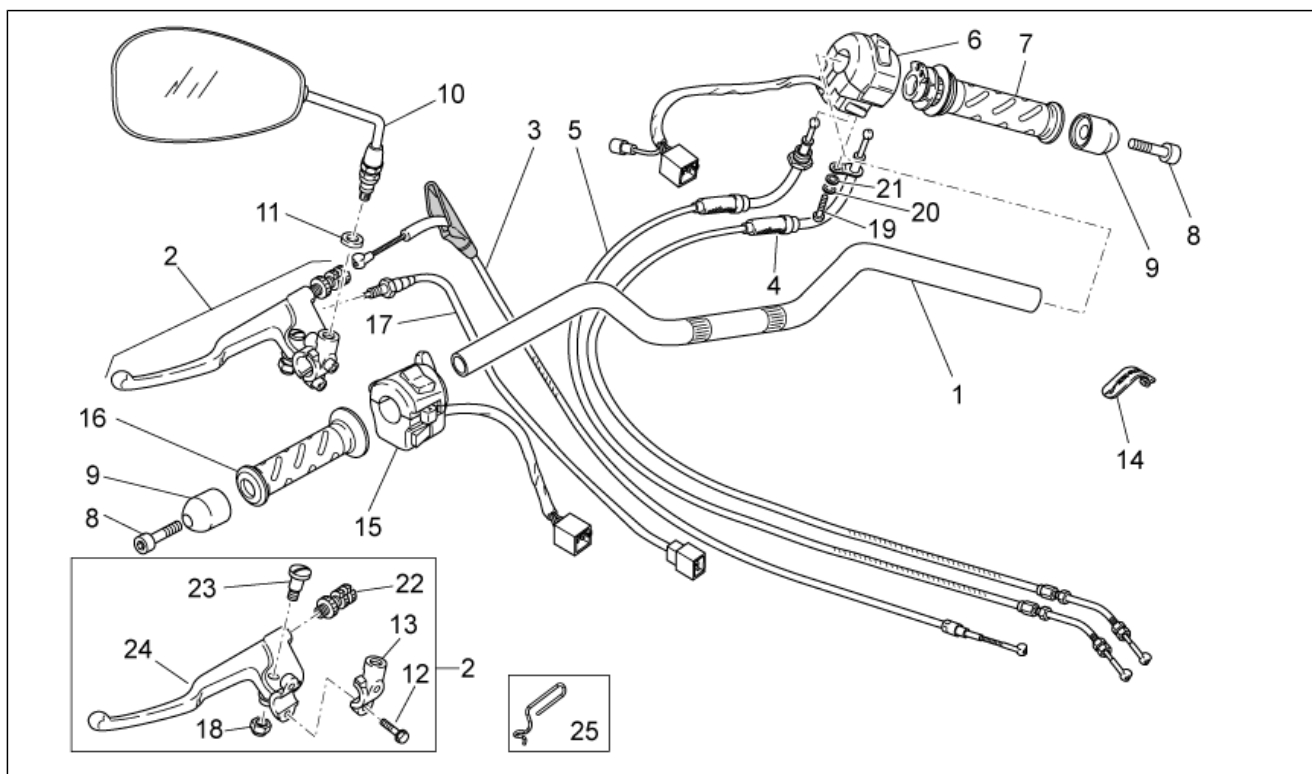
Pos.	Code	Description	Quant	Variants
1	978949	Porte-plaque	1	
2	AP8134448	Support catadioptre	1	
3	AP8224164	Catadioptre arrière, rouge	1	
4	GU98230510	Vis	1	
5	AP8152306	Ecrou autobloqu. m5	1	

<b>Groupe</b>	CHASSIS
<b>Code</b>	33.17
<b>Description</b>	Tableau de bord
<b>Révision</b>	1



Pos.	Code	Description	Quant	Variants
1	887194	Tableau de bord km/h	1	
2	GU98370609	Vis M6x10	3	
3	GU95005306	Rondelle 6,4x13x1,5	3	
4	GU93222023	Silentbloc	3	
5	GU95021206	Rondelle	3	
6	GU92606206	Ecrou	3	
7	AP8121032	Douille	3	
8	2B001101	Cadre outils	1	
9	2D000022	Temoin MGCT	1	
10	2D000021	Temoin ABS	1	
11	GU98692414	Vis M8x14	2	

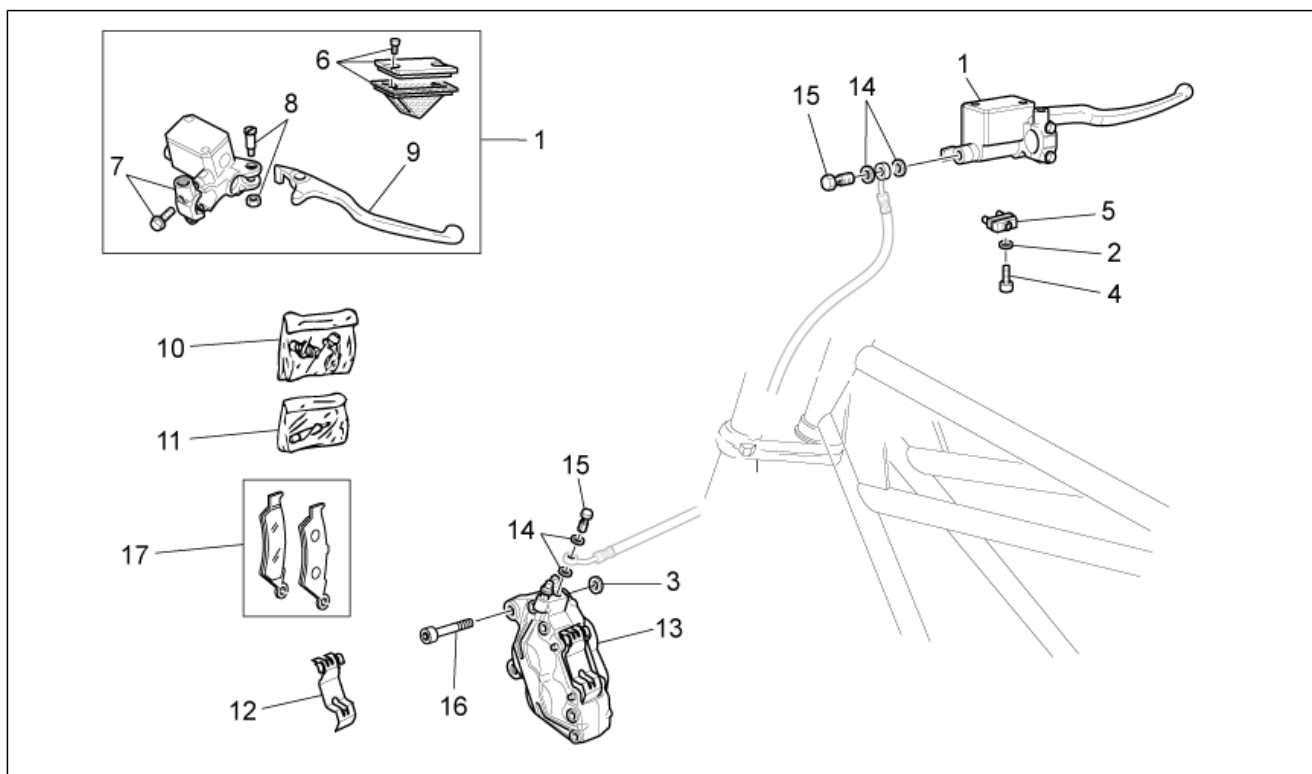
<b>Groupe</b>	CHASSIS
<b>Code</b>	33.18
<b>Description</b>	Guidon - Commandes
<b>Révision</b>	1



Pos.	Code	Description	Quant	Variants
1	978960	Guidon	1	
2	2B001300	Levier embrayage complet	1	
3	2B001202	Câble embrayage	1	
4	887852	Câble ouverture gaz	1	
5	887853	Câble fermeture gaz	1	
6	B063135	Déviateur feux dte	1	
7	GU32603310	Poignée dr.	1	
8	GU98690335	Vis	2	
9	GU32602860	Masse antivibratile chr.	2	
10	883802	Miroir rétroviseur d/g	2	Spécifications techniques: Marqué « FU E11 81R-001047 »[FU]
10	978570	Miroir rétroviseur d/g	2	Spécifications techniques: marqué « FAR »[FAR]
11	GU91181003	Entretoise 10,25X20X4	2	
12	GU97202325	Vis bride noir M6x25	2	
13	GU30601060	Etrier	1	
14	GU01609630	Collier L46 mm	2	
14	GU03609600	Collier L36 mm	1	
15	B063975	Déviateur feux gche	1	
16	GU32603010	Poignée gc.	1	
17	GU29759150	Interrupteur béquille	1	
18	AP8213388	Ecrou autobloqu.	1	
19	GU98230510	Vis	1	
20	GU95008305	Rondelle 5,3X10X1	1	
21	GU95021105	Rondelle évent.	1	
22	GU30602500	Réglage	1	
23	AP8213028	Vis	1	
24	2B001998	Levier commande embr.	1	
25	2B001138	Passe-câble	1	

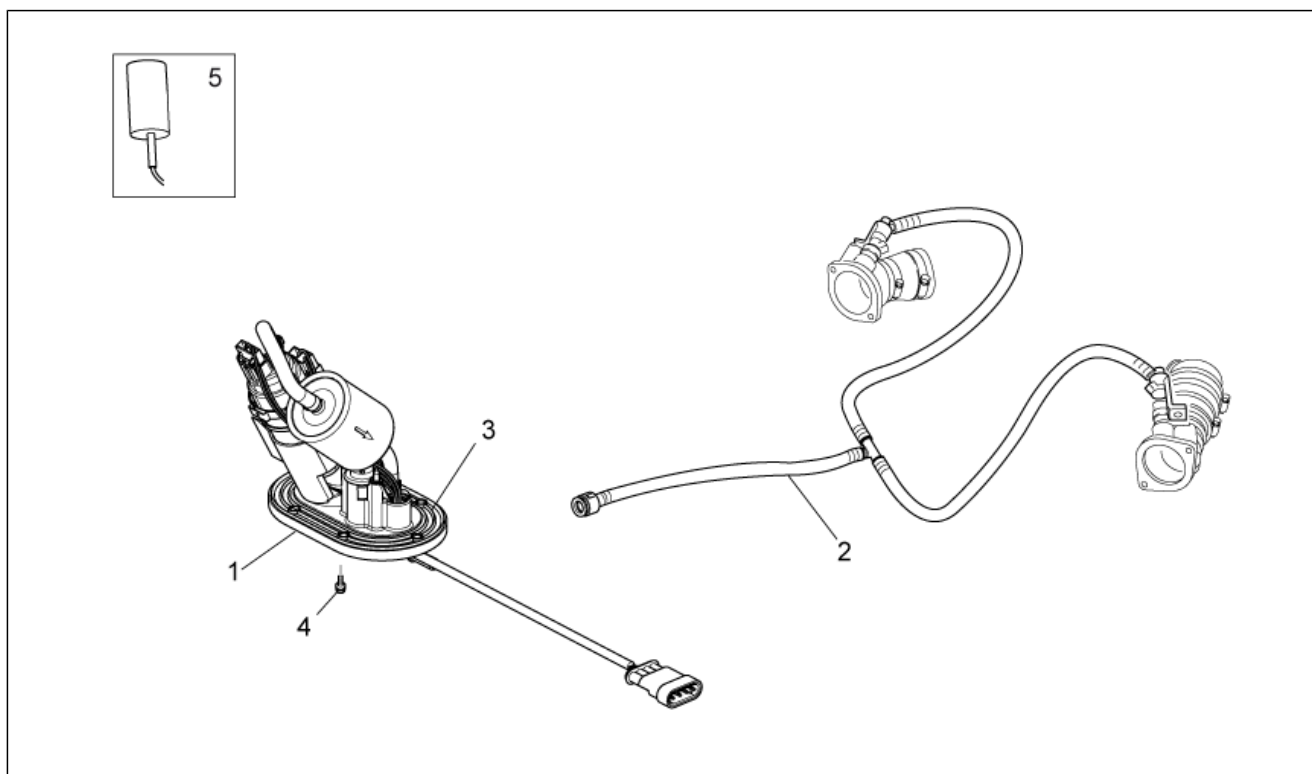


<b>Groupe</b>	CHASSIS
<b>Code</b>	33.19
<b>Description</b>	Sys.frein avant
<b>Révision</b>	1



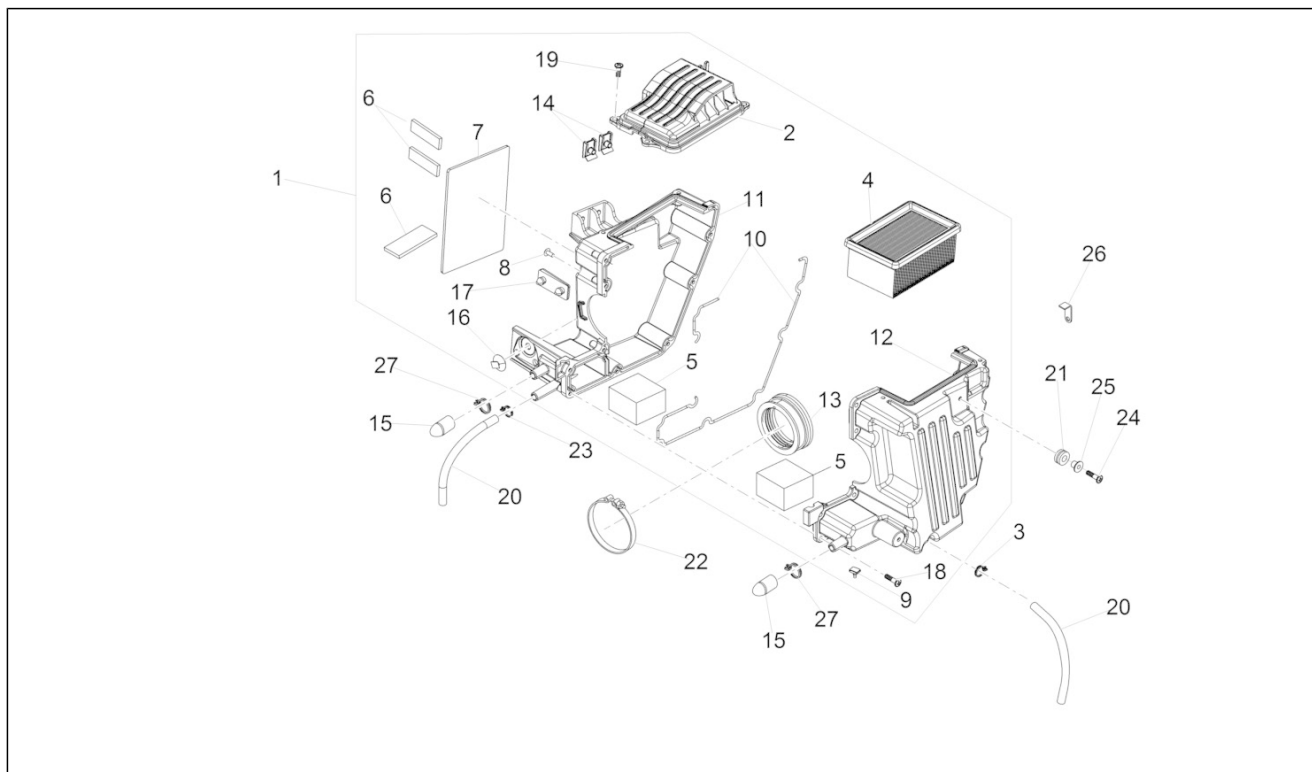
Pos.	Code	Description	Quant	Variants
1	2B001199	Maît. cyl. frein AV	1	
2	GU95021104	Rondelle 4,3x8x1,5	1	
3	GU91181003	Entretoise 10,25X20X4	2	
4	AP8152043	Vis M4x10	1	
5	GU03749845	Contacteur de stop	1	
6	2B001928	Couvercle pompe	1	
7	2B001929	Cavalier	1	
8	2B001927	Goujon de levier cpl.	1	
9	2B001926	Levier frein	1	
10	GU05659230	Purge+capuchon	1	
11	GU01659130	Pivots+ressorts pince	1	
12	GU01659131	Ressort	1	
13	2B001197	Etrier de frein av. gauche	1	
14	AP8113004	Rondelle 10x14x1,6*	4	
15	AP8113003	Vis tuyau huile *	2	
16	AP8152385	Vis M10x1,25	2	
17	883673	Plaquettes-paire	1	

<b>Groupe</b>	CHASSIS
<b>Code</b>	33.21
<b>Description</b>	Pompe essence
<b>Révision</b>	1



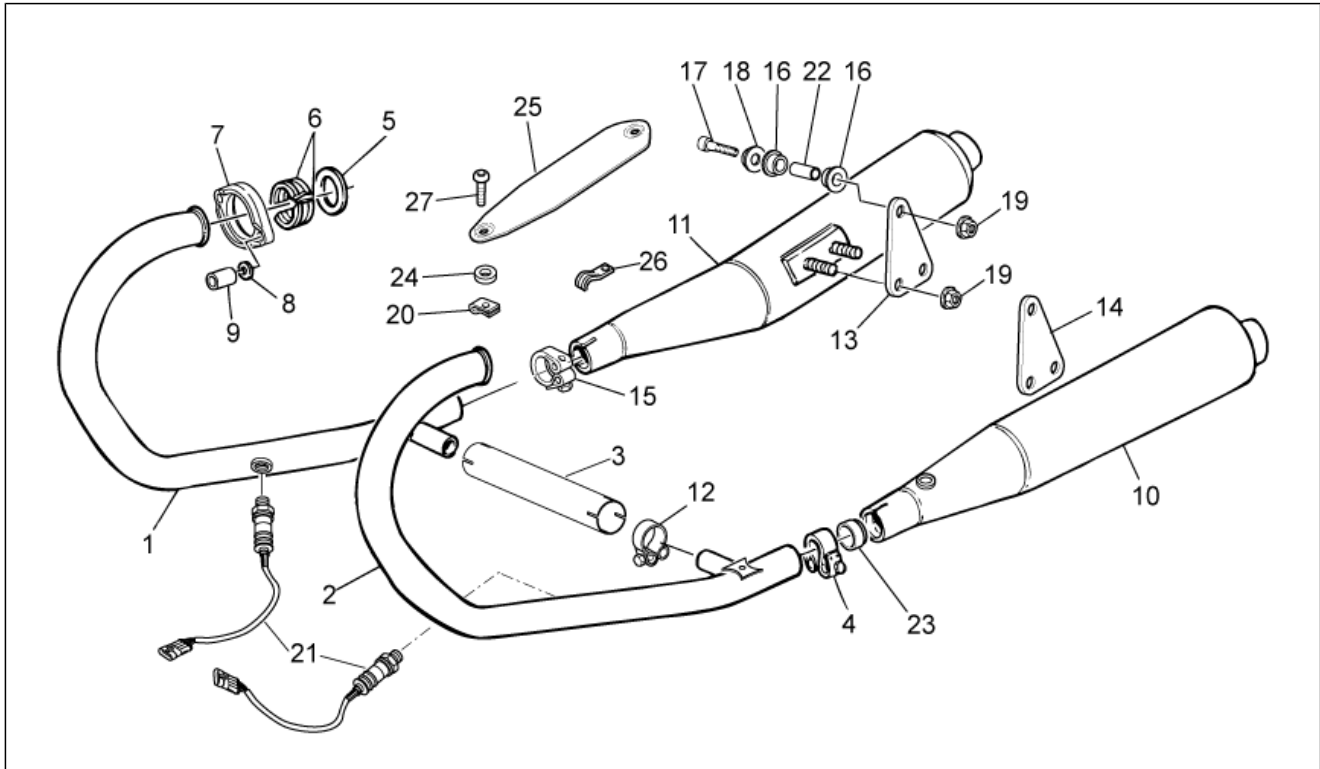
Pos.	Code	Description	Quant	Variants
1	B063752	Pompe carburant	1	
2	2B001342	Tuyau essence	1	
3	GU05107430	Joint	1	
4	AP8152273	Vis bride M5X15	6	
5	887787	Détecteur niveau essence	1	

<b>Groupe</b>	CHASSIS
<b>Code</b>	33.22
<b>Description</b>	Corps filtre
<b>Révision</b>	1



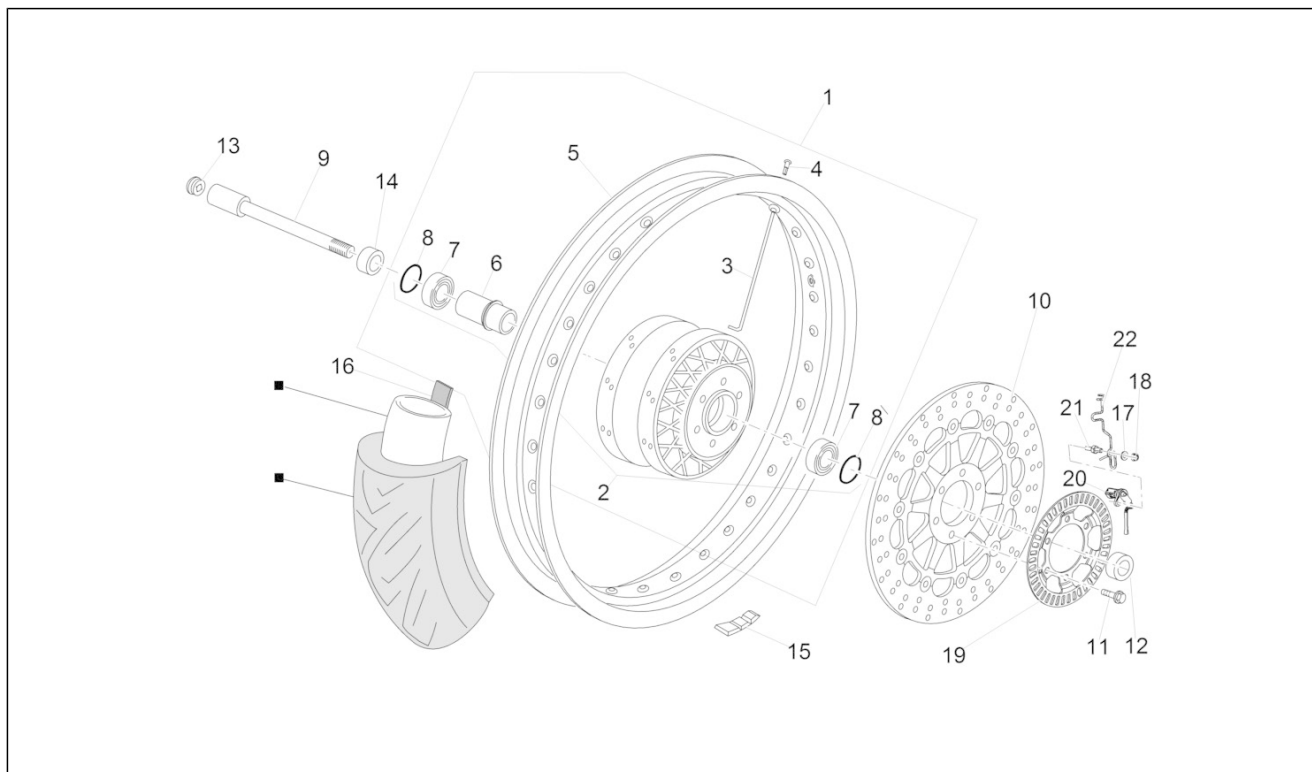
Pos.	Code	Description	Quant	Variants
1	8878421	Boîtier filtre complet	1	
2	887843	Couvercle de filtre	1	
3	AP8201358	Collier D 11,9	1	
4	AP8104924	Filtre air	1	
5	AP8104525	Filtre blow-by	2	
6	883127	Coautchouc pour support 5mm	1	
7	AP8144553	Coautchouc pour support	1	
8	AP8120876	Bouchon de fermeture	2	
9	AP8120455	Caoutchouc	1	
10	AP8120615	Joint D3	2	
11	887844	Coquille D de boîtier de filtre	1	
12	887845	Coquille G de boîtier de filtre	1	
13	887815	Manchon d'aspiration	1	
14	254485	Plaquelette elastique M6	2	
15	AP8161054	Capuchon	2	
16	890760	Support instruments	1	
17	AP8144729	Tampon fin de course béquille	1	
18	AP8152329	Vis SWP crois. brid. M5x20	9	
19	AP8150509	Vis taraud 5x14	4	
20	AP8120772	Tuyau reniflard radiateur	1	
21	GU91551010	Caoutchouc	2	
22	CM258303	Collier 63	1	
23	AP8102766	Collier	3	
24	AP8152329	Vis SWP crois. brid. M5x20	2	
25	AP8221023	Douille en "T"	2	
26	GU31112965	Equerre	1	
27	AP8102520	Collier serr. Tube	2	

<b>Groupe</b>	CHASSIS
<b>Code</b>	33.23
<b>Description</b>	Groupe echappement
<b>Révision</b>	1



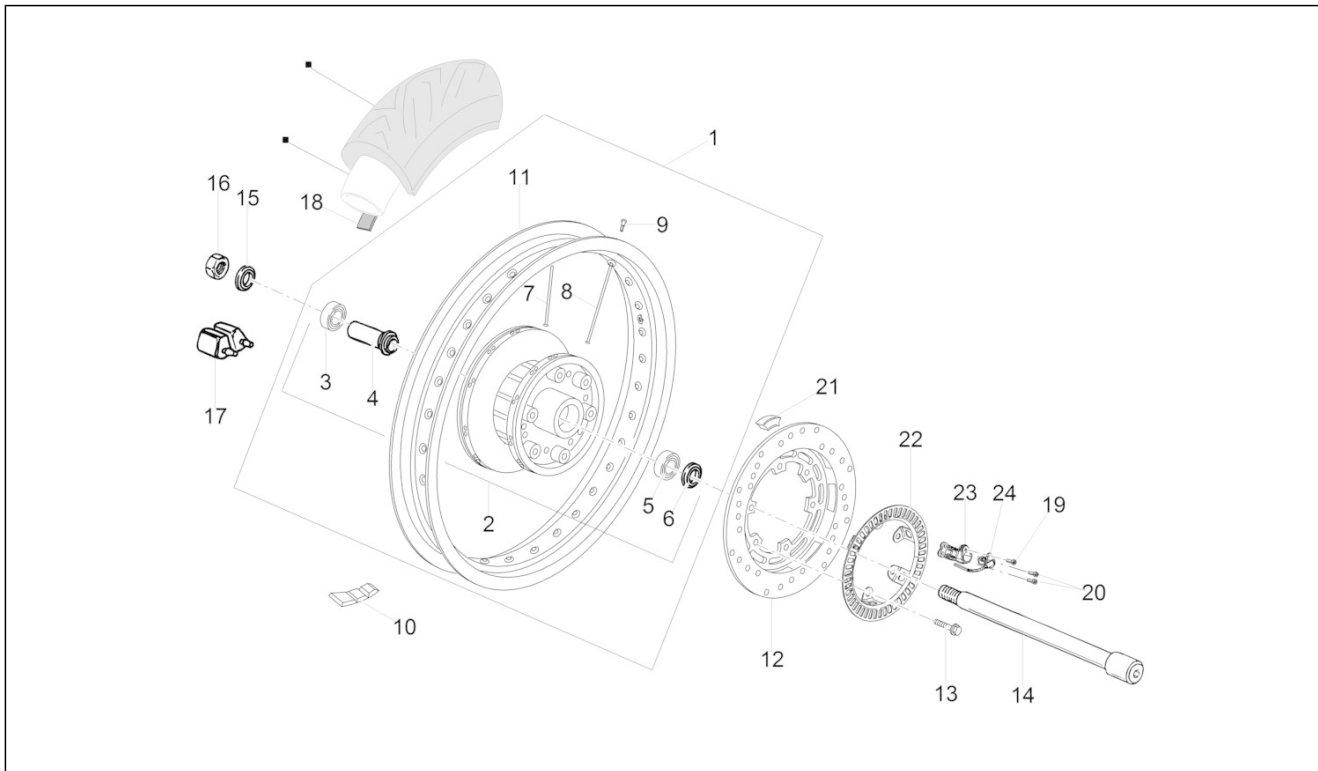
Pos.	Code	Description	Quant	Variants
1	2B000995	Collecteur échapp. D	1	
2	2B000996	Collecteur échapp. G	1	
3	B063022	Raccord collecteurs échap.	1	
4	883294	Collier silencieux gauche	1	
5	GU19025280	Joint	2	
6	GU19025460	Entretoise	4	
7	GU32121010	Bague	2	
8	GU03013800	Rondelle 6,4x12	4	
9	GU31121880	Ecrou	4	
10	2B000177	Silencieux G	1	
11	2B000176	Silencieux D	1	
12	978385	Collier	2	
13	883297	Plaque d.	1	
14	883298	Plaque g.	1	
15	883293	Collier silencieux droit	1	
16	AP8144071	Caoutchouc pot	4	
17	GU98690440	Vis TCEI M8x40	2	
18	AP8134378	Douille fixation silencieux	2	
19	GU92640508	Ecrou M8	6	
20	254485	Plaquette elastique M6	2	
21	896110	Sonde lamda l.660 mm	2	
22	AP8121072	Entretoise	2	
23	GU91113826	Douille	2	
24	AP8120870	Rondelle isolante	4	
25	883704	Grille protec. pot	2	
26	GU93301175	Cavalier	1	
27	GU98210612	Vis bride M6x12	4	

<b>Groupe</b>	CHASSIS
<b>Code</b>	33.24
<b>Description</b>	Roue Av. I
<b>Révision</b>	1



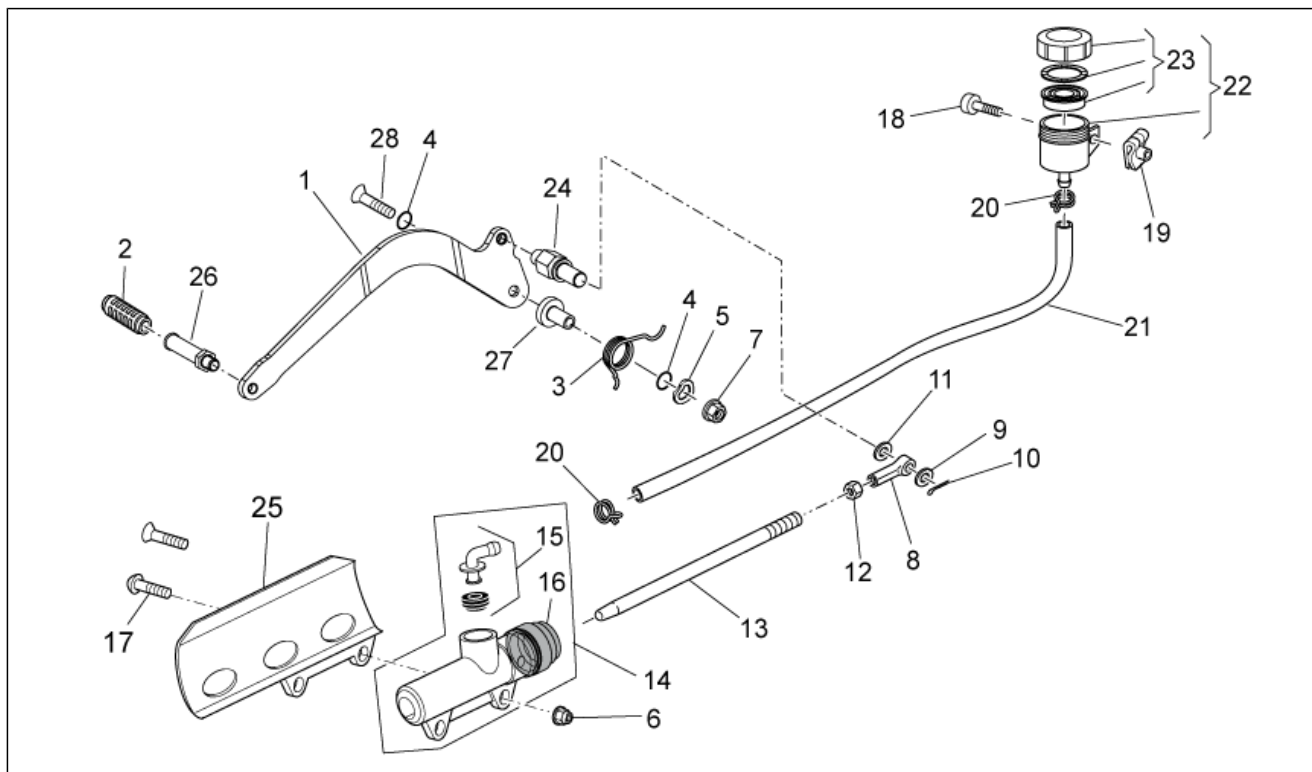
Pos.	Code	Description	Quant	Variants
1	B063702	Roue AV 2,5x18" Black	1	
2	GU32613160	Moyeu avant	1	
3	B063144	Rayon roue AV	36	
4	GU03631250	Nipples	36	
5	B063077	Jante AV noire 2.5X18"	1	
6	GU31615283	Entretoise roulements	1	
7	GU92204221	Roulement	2	
8	GU90402642	Bague d'étanchéité	1	
9	GU31614183	Axe de roue AV	1	
10	883688	Disque frein avant 320	1	
11	887762	Vis à bride à tête hex. M8x22	6	
12	GU31616384	Entretoise G	1	
13	GU93180111	Bouchon 15 mm	1	
14	GU32615660	Entretoise D	1	
15	GU14616150	Contrepoids	1	
16	GU03612040	Pare clau	1	
17	AP8150178	Rondelle 6,4x12,5*	1	
18	GU92630207	Ecrou	1	
19	887875	Wheel speed sensor, LH front	1	
20	859792	Détecteur ABS	1	
21	2B001708	Entretoise	1	
22	2B001561	Passe-câble	1	

<b>Groupe</b>	CHASSIS
<b>Code</b>	33.25
<b>Description</b>	Roue arrière I
<b>Révision</b>	1



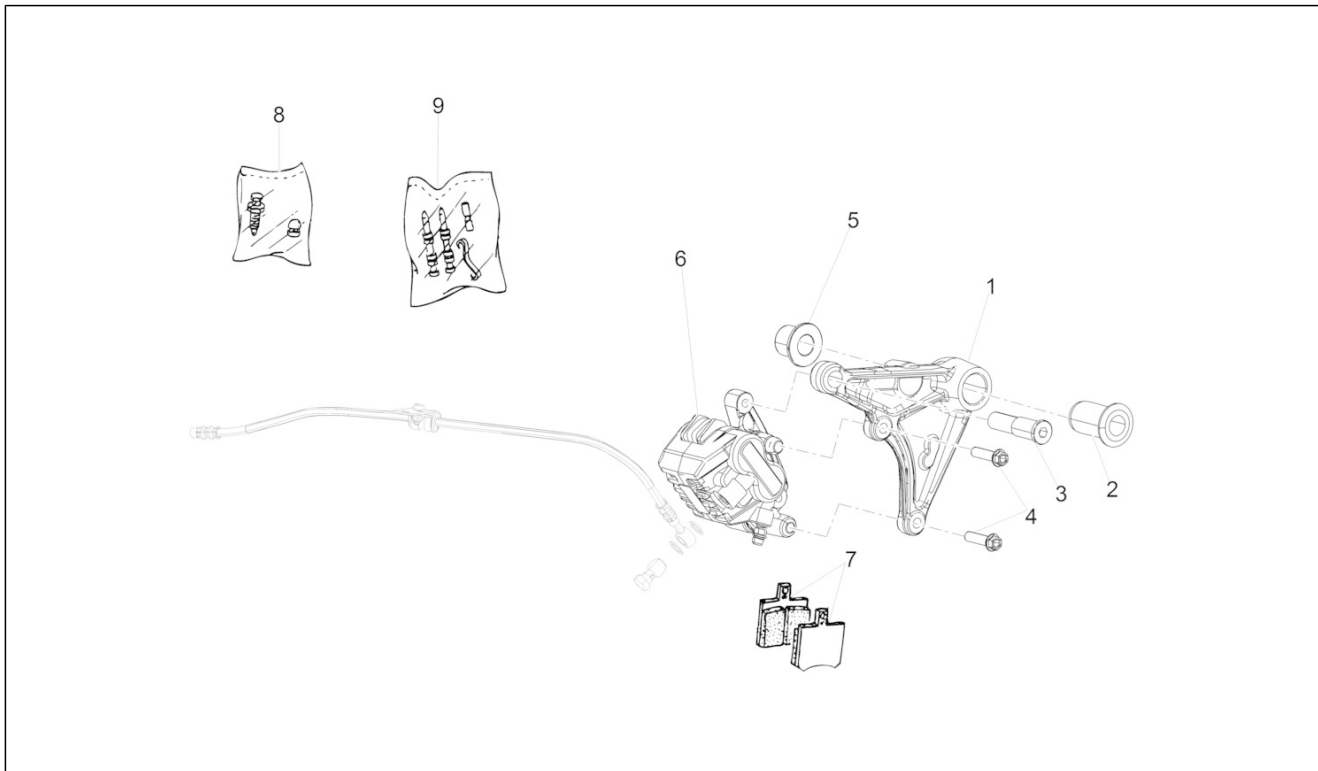
Pos.	Code	Description	Quant	Variants
1	B063704	Roue AR cpl 3,5x17" Black	1	
2	GU32692260	Moyeu	1	
3	GU92204218	Roulement	1	
4	GU27633910	Entretoise	1	
5	GU92204217	Roulement	1	
6	GU90402538	Bague d'étanchéité 25x40x7	1	
7	883350	Rayon court	18	
8	883349	Rayon long mm 158	18	
9	GU03631250	Nipples	36	
10	GU14616150	Contrepoids	1	
11	B063078	Jante arrière 3,5"x17" Black	1	
12	887448	Disque frein	1	
13	894505	Vis bride M8x18	6	
14	GU32633360	Axe de roue AR	1	
15	GU31634481	Rondelle	1	
16	GU92606316	Ecrou M16x1,5	1	
17	GU32632510	Joint en caoutchouc	6	
18	GU28612033	Pare clau	1	
19	GU98612216	Vis	1	
20	GU98682312	Vis M6x12	2	
21	GU32636160	Coautchouc pour support	1	
22	2B000225	Wheel speed sensor, LH front	1	
23	2B000377	Support Détecteur ABS	1	
24	859792	Détecteur ABS	1	

<b>Groupe</b>	CHASSIS
<b>Code</b>	33.26
<b>Description</b>	Maît.cyl. frein AR
<b>Révision</b>	1



Pos.	Code	Description	Quant	Variants
1	887910	Levier frein	1	
2	AP8120912	Caoutchouc pour levier	1	
3	978969	Ressort	1	
4	AP8144007	Joint torique 11,11x1,78	2	
5	GU95005310	Rondelle 8,4x18x2	1	
6	GU92630206	Ecrou M6x1	2	
7	GU92660021	Ecrou bridé M8	1	
8	GU18257551	Bloc	1	
9	GU95005308	Rondelle 8,4x14,57x1,6	1	
10	GU95500221	Goupille	1	
11	658837	Rondelle élastique ondulée D15 F8,4 S1,5 - INOX	1	
12	GU92609007	Ecrou	1	
13	978970	Poussoir cde mai-cyl.	1	
14	2B000508	Maît.cyl. frein AR	1	
15	AP8213057	Raccord pompe arrière	1	
16	AP8113288	Soufflet en caoutchouc	1	
17	GU98370625	Vis	2	
18	AP8152298	Vis bride M5x16	1	
19	248419	Plaquette elastique m5	1	
20	AP8101594	Collier D10,1*	2	
21	GU00823950050	Tuyau huile	1	
22	AP8113241	Réserv.huile freins	1	
23	AP8113553	Bouchon réservoir	1	
24	887911	Pivot levier frein	1	
25	GU01665410	Protection maître cyl.noire	1	
26	887908	Pédale en caoutch.	1	
27	887952	Douille levier frein AR	1	
28	B063443	Vis FHC M8x50	1	

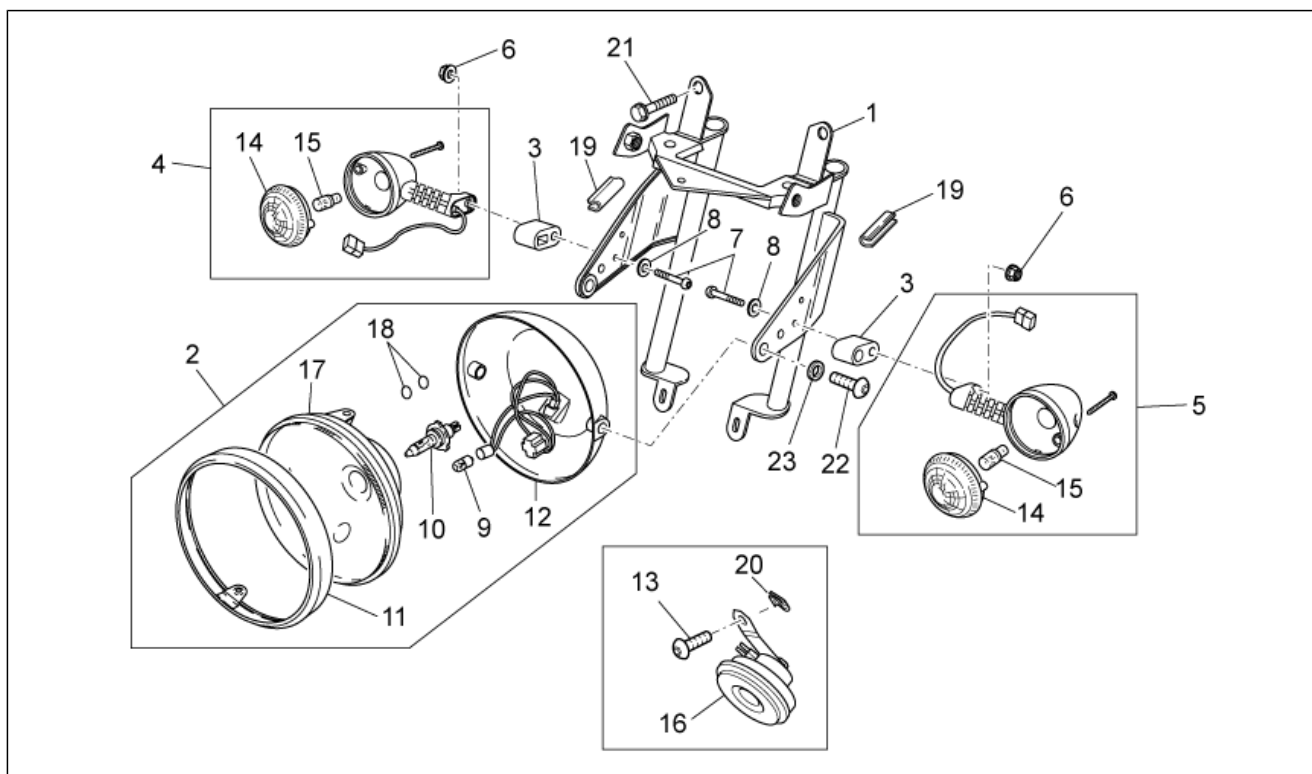
<b>Groupe</b>	CHASSIS
<b>Code</b>	33.27
<b>Description</b>	Pince frein AR
<b>Révision</b>	1



Pos.	Code	Description	Quant	Variants
1	2B000229	Plaque support étrier frein	1	
2	GU31634281	Douille	1	
3	GU31544181	Pivot	1	
4	AP8152288	Vis bride	1	
5	GU32634160	Entretoise	4	
6	2B000525	Pince frein arrière	1	
7			1	
8	GU31659281	Purge+capuchon	1	
9	GU31659181	Kit Axes+ressort	1	

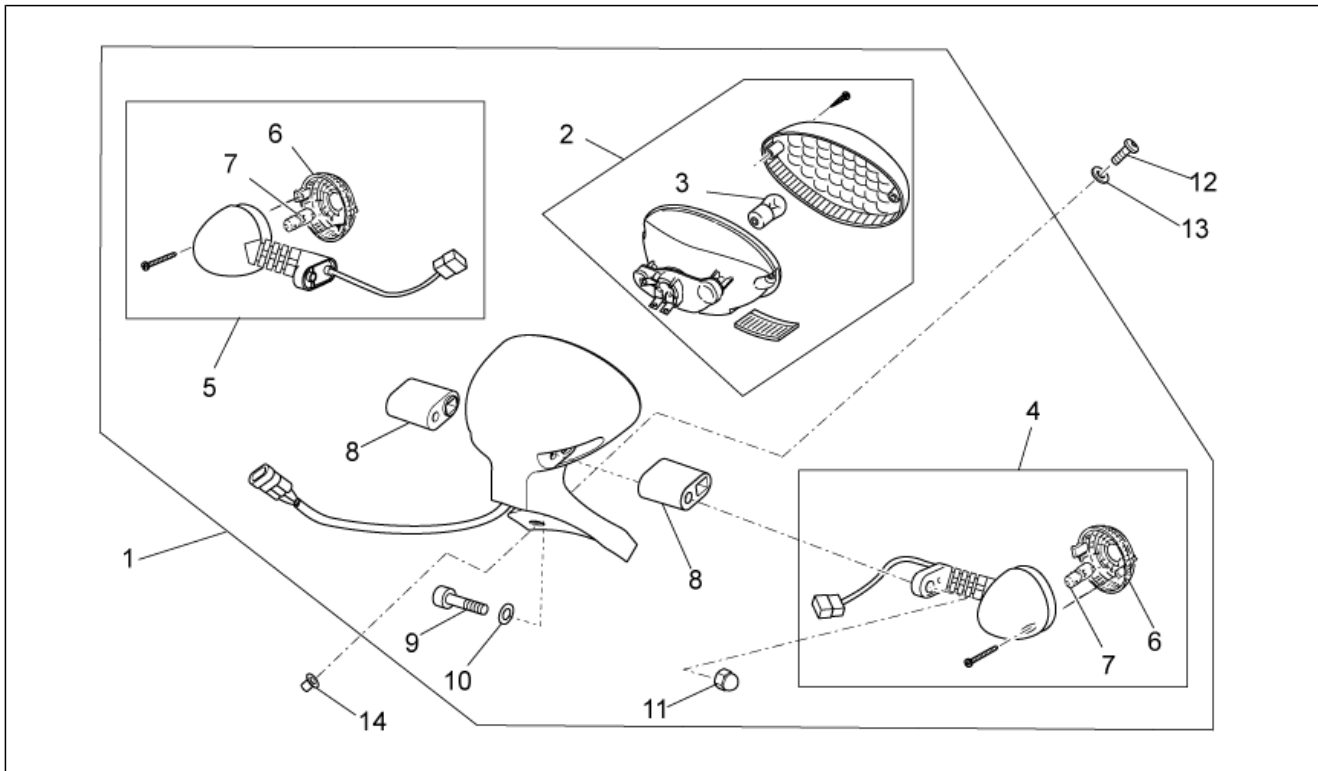


<b>Groupe</b>	CHASSIS
<b>Code</b>	33.28
<b>Description</b>	Feux avant
<b>Révision</b>	1



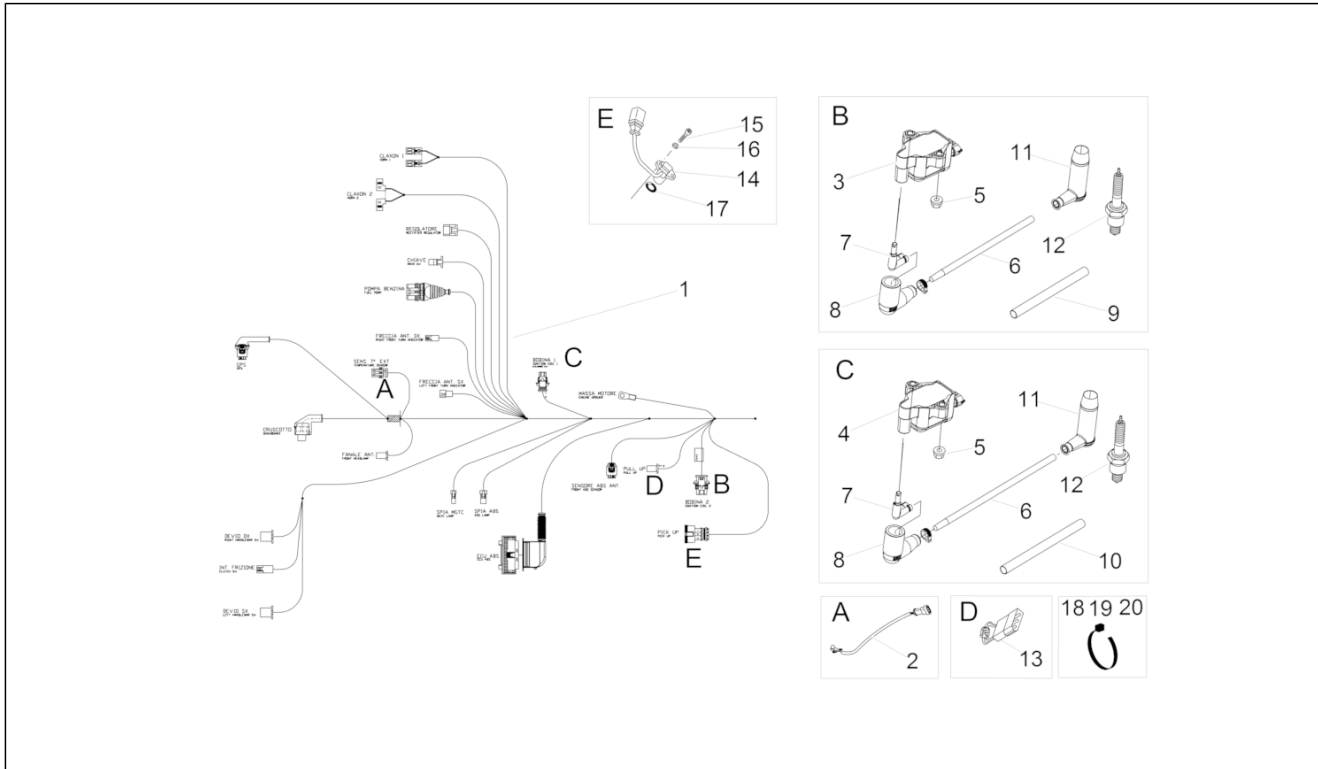
Pos.	Code	Description	Quant	Variants
1	GU32506360	Bride support feu	1	
2	978311	Phare avant	1	
3	GU32753410	Entretoise	2	
4	887826	Clignot.av.dr./arr.ga.	1	
5	887827	Clignot.av.ga./arr.dr.	1	
6	GU92787006	Ecrou borgne M6x1	2	
7	GU98370655	Vis	2	
8	GU95021206	Rondelle	2	
9	GU93450105	Lampe (ou Ampoule)	1	
10	GU93450232	Lampe (ou Ampoule) 12V-55/60W	1	
11	GU31740383	Bague chromée	1	
12	981149	Calotte, noir	1	
13	AP8150377	Vis	2	
14	B063735	Vitre clignotant	2	
15	GU93450126	Lampe orange	2	
16	890979	Klaxon	1	
17	GU06740400	Groupe optique	1	
18	883417	Joint torique	2	
19	GU00823931055	Joint	1	
20	254485	Plaquette elastique M6	2	
21	GU98880540	Vis M10x40	2	
22	GU98692420	Vis M8x20	2	
23	GU95005308	Rondelle 8,4x14,57x1,6	2	

<b>Groupe</b>	CHASSIS
<b>Code</b>	33.29
<b>Description</b>	Feux arriere
<b>Révision</b>	1



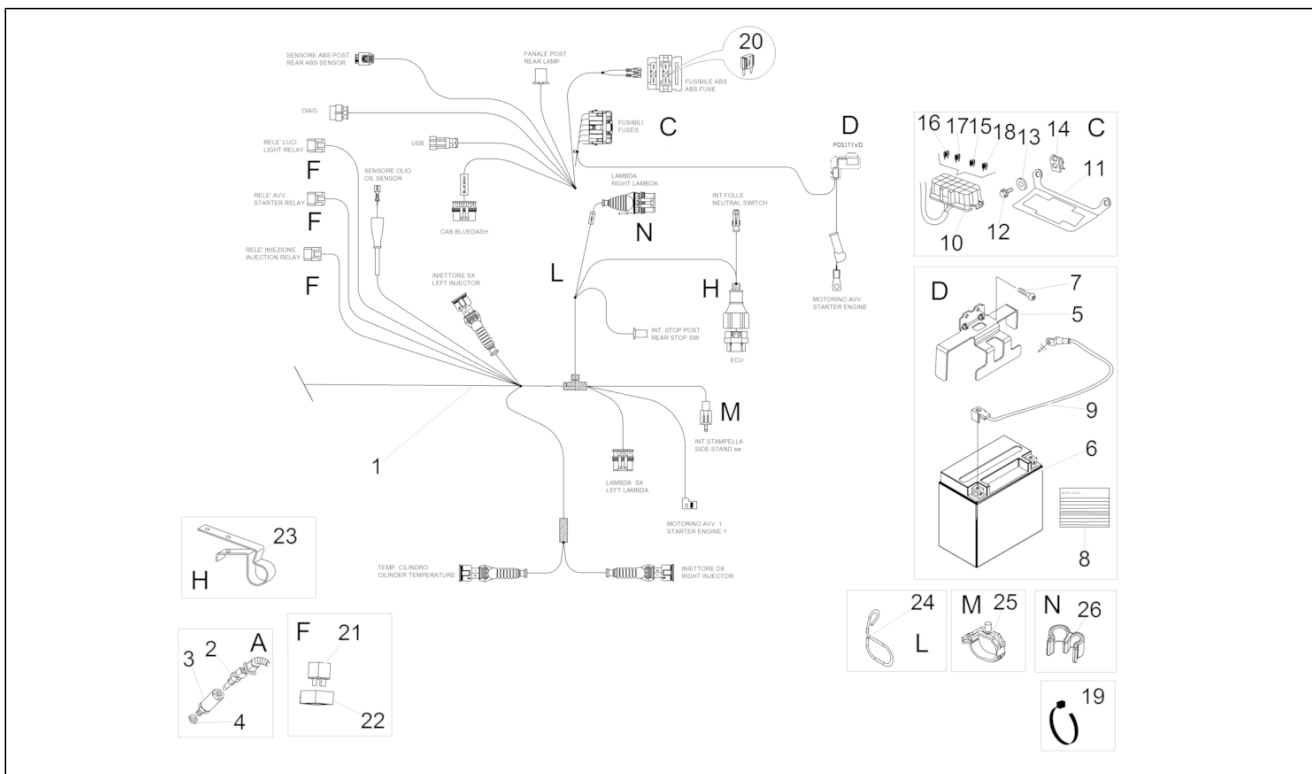
Pos.	Code	Description	Quant	Variants
1	2B001701	Feu arrière	1	
2	GU03740930	Feu arrière	1	
3	GU93450224	Lampe (ou Ampoule)	1	
4	887826	Clignot.av.dr./arr.ga.	1	
5	887827	Clignot.av.ga./arr.dr.	1	
6	B063735	Vitre clignotant	2	
7	GU93450126	Lampe orange	2	
8	GU32753410	Entretoise	2	
9	GU98370655	Vis	2	
10	GU95021206	Rondelle	2	
11	GU92787006	Ecrou borgne M6x1	2	
12	GU98350215	Vis	3	
13	GU30577800	Rondelle nylon 5,5X12X1	3	
14	GU93231605	Douille anti vibr.	3	

<b>Groupe</b>	CHASSIS
<b>Code</b>	33.30
<b>Description</b>	Circuit électrique I
<b>Révision</b>	1



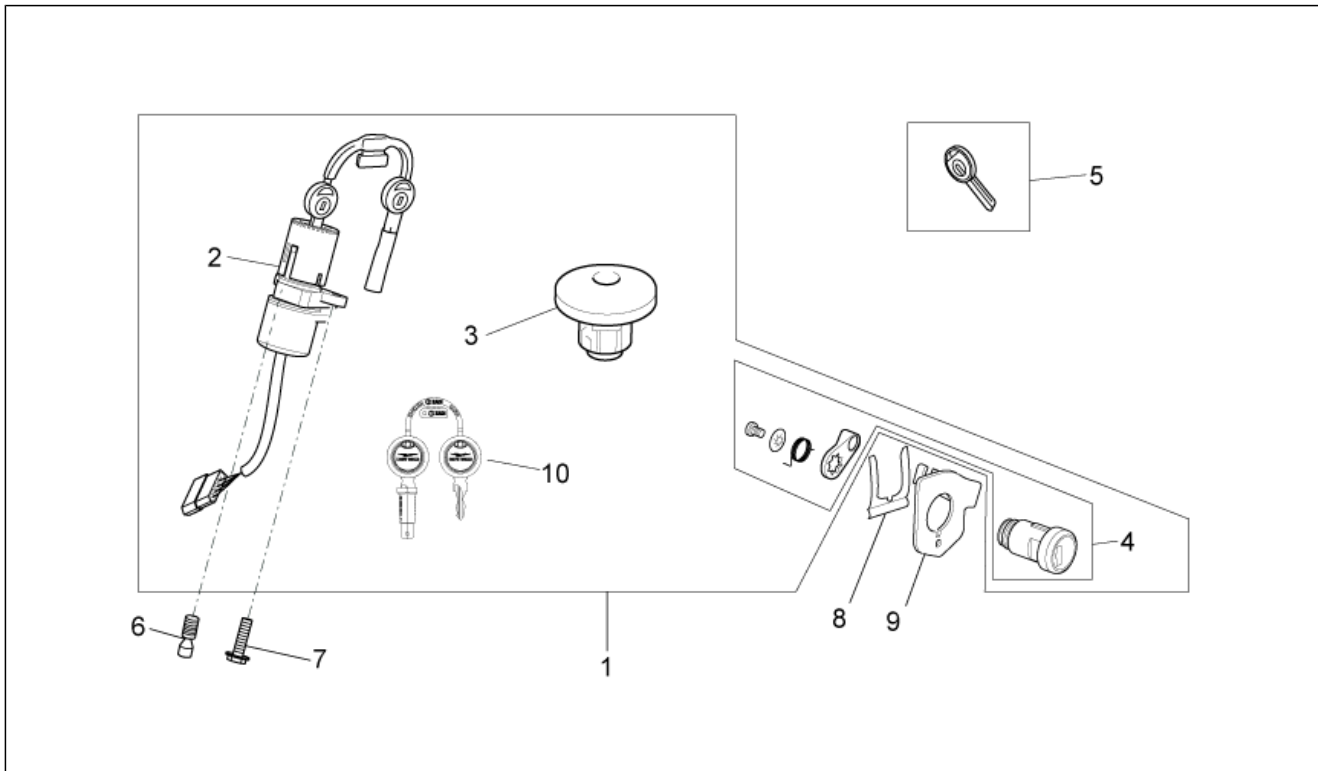
Pos.	Code	Description	Quant	Variants
1	2D000108	Câblage principal	1	
2	AP8124936	Détec. temper. air	1	
3	642034	Bobine HT DX	1	
4	641901	Bobine HT	1	
5	AP8152299	Ecrou autobloqu. M6	4	
6	080341	Câble de base H.T.	2	
7	641725	Borne H.T.	2	
8	641040	Capuchon isolant	2	
9	CM0074D0	Gaine D.8-S.0,5-L.370	1	
10	CM0074C9	Gaine de câble grise D.8-S.0,5-L.435	1	
11	2D000005	Capuchon bougie	2	
12	887481	Bougie NGK CPR8EB-9	2	
13	887948	Diode	1	
14	832029	Capteur codeur	1	
15	GU98682212	Vis M5x12	2	
16	GU95008205	Rondelle 5,3x10x0,8	2	
17	GU90706141	Joint torique	1	
18	AP8120416	Collier, noir 178x4	1	
19	GU49609601	Collier 2,4x92	1	
20	GU14609650	Collier 3,6x20,6	31	

<b>Groupe</b>	CHASSIS
<b>Code</b>	33.31
<b>Description</b>	Circuit électrique II
<b>Révision</b>	1



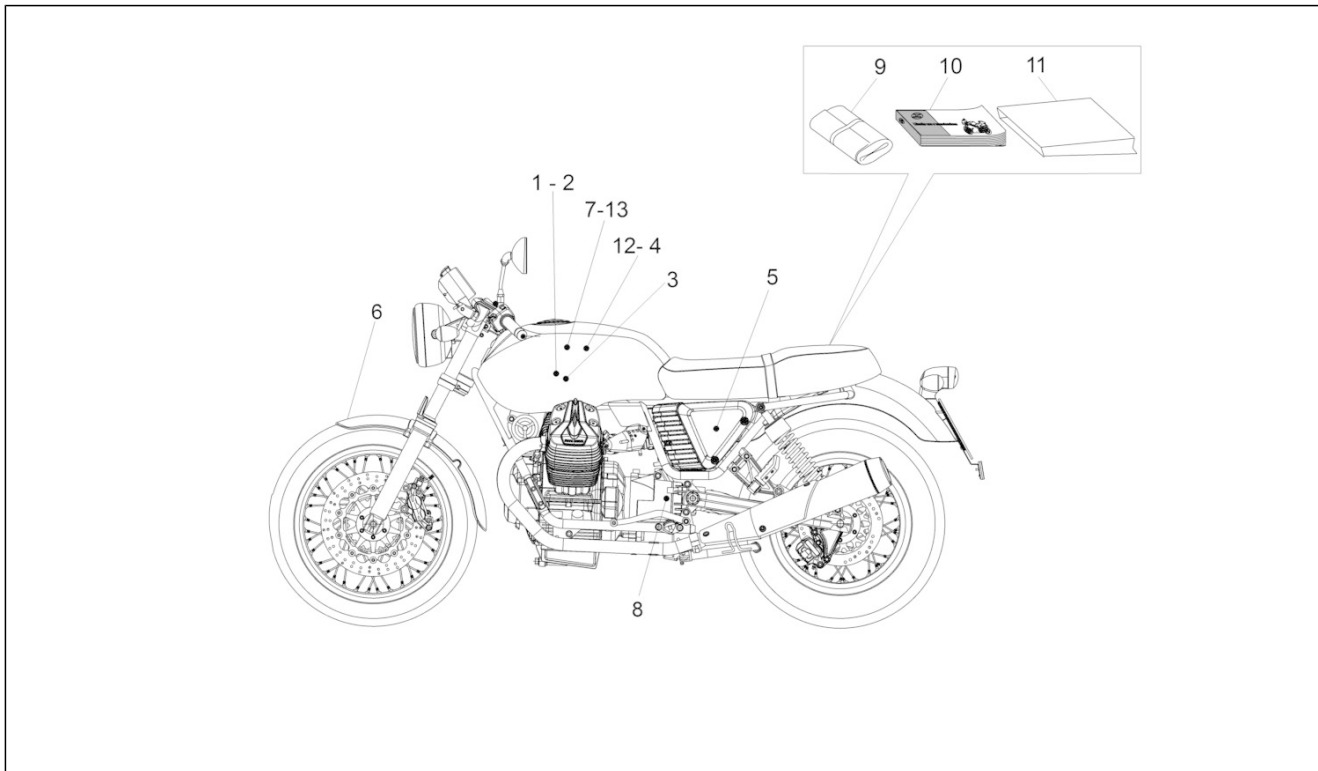
Pos.	Code	Description	Quant	Variants
1	2D000108	Câblage principal	1	
2	GU29729461	Capteur température huile	1	
3	GU03163330	Support détecteur	1	
4	GU95008210	Rondelle 10,2X18X2	4	
5	B063233	Support batterie	1	
6	638733	Batterie Yuasa 12V-12Ah (150x85x145)	1	
7	AP8152282	Vis bride M6x35	2	
8	GU32517710	Décalco "Battery service"	1	
9	GU32747910	Câblage masse-batterie	1	
10	584211	Boîte à fusibles	1	
11	883161	Support p-fusibles	1	
12	GU98682212	Vis M5x12	2	
13	GU95100059	Rondelle 5,25x14x1,5	2	
14	AP8102375	Clip m5	2	
15	CM225705	Fusible 5A	2	
16	CM225710	Fusible 10A	1	
17	CM225715	Fusible 15A	2	
18	CM225730	Fusible 30A	1	
19	AP8120416	Collier, noir 178x4	1	
19	GU14609650	Collier 3,6x20,6	21	
19	GU49609601	Collier 2,4x92	1	
20	CM225720	Fusible 20A	1	
21	AP8224462	Relais 12V/30A	3	
22	AP8220283	Caoutchouc *	3	
23	B043850	Collier	1	
24	AP8181140	Passer-câble	1	
25	CM013202	Clip d'arrêt des tuyaux/câbles	1	
26	894704	Passer-câble	1	

<b>Groupe</b>	CHASSIS
<b>Code</b>	33.32
<b>Description</b>	Kit serrure
<b>Révision</b>	1



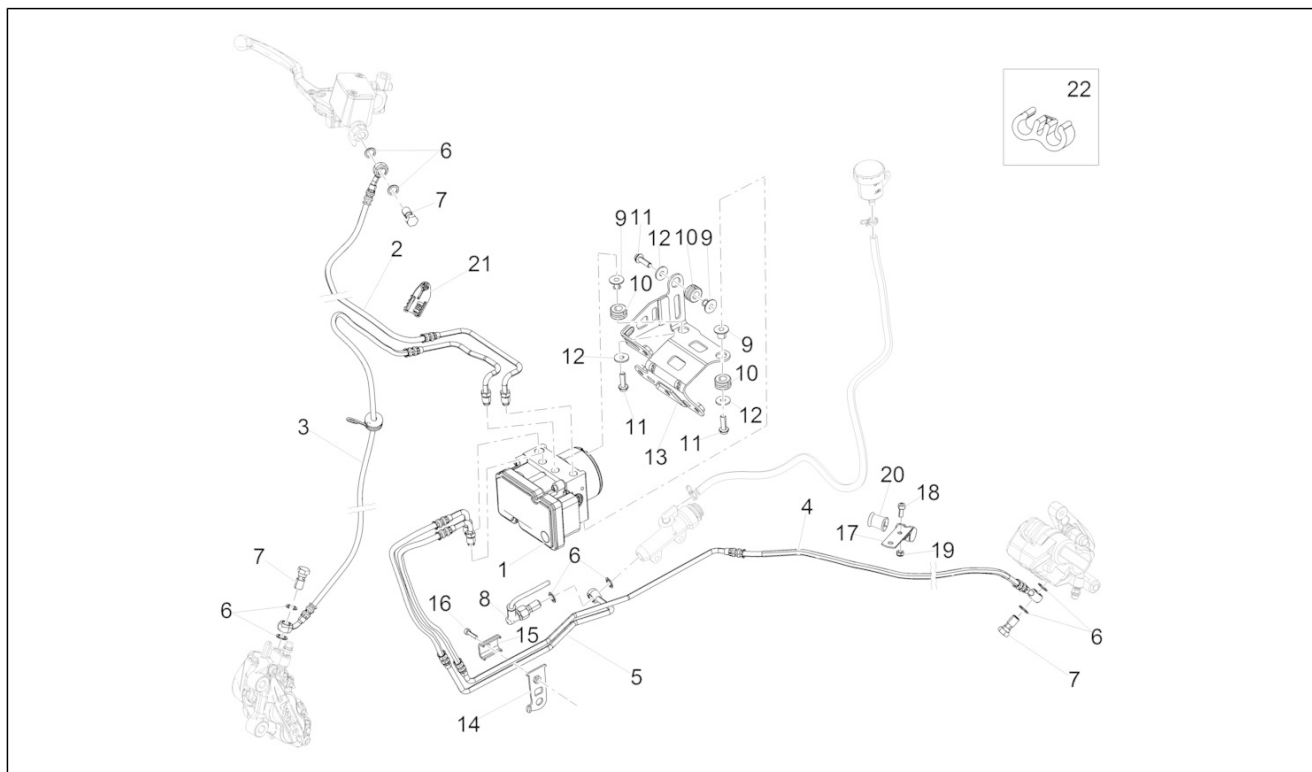
Pos.	Code	Description	Quant	Variants
1	887873	Kit serrures	1	
2	GU32782510	Bloc démarreur-bloc	1	
3	887874	Tappo serbatoio senza chiavi	1	
4	977527	Serrure avec clés	1	
5	GU32735510	Clé pas cantée brut-coque go	1	
6	AP8150349	Vis spéciale M8x15	1	
7	GU98682416	Vis M8x16	1	
8	AP8121420	Ressort à fourche	1	
9	978415	Plaque support câble	1	
10	2D000006	Cylindre de serrure avec clé pour bouchon d'essence	1	

<b>Groupe</b>	CHASSIS
<b>Code</b>	33.33
<b>Description</b>	Décalco et plaquettes
<b>Révision</b>	1



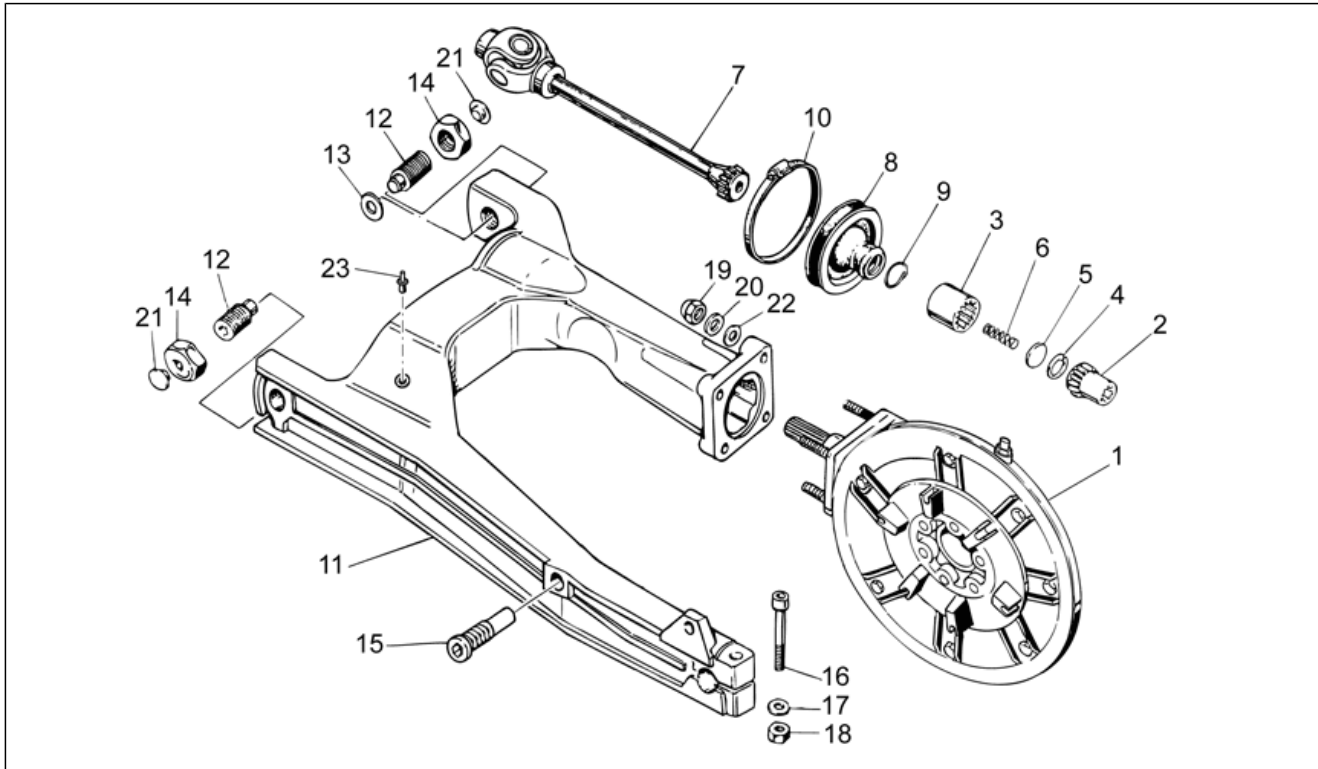
Pos.	Code	Description	Quant	Variants
1	886340	Plaque Aquila	1	
2	887930	Plaque G. Aquila	1	
3	887931	Plaque "Moto Guzzi"	2	
4	2H000025	Bande autocollante AR D pour réservoir	1	Couleur véhicule:Noir Competition[nc]
4	2H000661	Bande autocollante AR D pour réservoir	1	Couleur véhicule:Azzurro Vieste[az], Rosso Daytona[rd]
5	2H000725	Targhetta dx-sx	1	
6	886141	Décalco "Aquila"	1	
7	2H000023	Bande autocollante AV D pour réservoir	1	Couleur véhicule:Noir Competition[nc]
7	2H000659	Bande autocollante AV D pour réservoir	1	Couleur véhicule:Azzurro Vieste[az], Rosso Daytona[rd]
8	895839	Plaque « Eni »	2	
9	887443	Trousse à outils	1	
10	2Q000056	Manuel instr.I-D-F-E-UK-NL I-F-D-E-NL-ES-EN	1	
11	GU05900130	Sachet pour documents	2	
12	2H000026	Bande autocollante AR G pour réservoir	1	Couleur véhicule:Noir Competition[nc]
12	2H000662	Bande autocollante AR G pour réservoir	1	Couleur véhicule:Azzurro Vieste[az], Rosso Daytona[rd]
13	2H000024	Bande autocollante AV G pour réservoir	1	Couleur véhicule:Noir Competition[nc]
13	2H000660	Bande autocollante AV G pour réservoir	1	Couleur véhicule:Azzurro Vieste[az], Rosso Daytona[rd]

<b>Groupe</b>	CHASSIS
<b>Code</b>	33.36
<b>Description</b>	Système frein ABS
<b>Révision</b>	1



Pos.	Code	Description	Quant	Variants
1	2D000102	Centrale ABS	1	
2	2B001557	Tuyau maître-cylindre AV-centrale ABS	1	
3	2B001558	Tuyau étriers AV-centrale ABS	1	
4	2B001556	Tuyau étrier AR-centrale ABS	1	
5	2B001555	Tuyau maître-cylindre AR-centrale ABS	1	
6	AP8113004	Rondelle 10x14x1,6*	8	
7	AP8113003	Vis tuyau huile *	4	
8	854973	Contacteur de stop	1	
9	AP8221023	Douille en "T"	3	
10	AP8120030	Caoutchouc	3	
11	AP8152279	Vis bride M6x20	3	
12	AP8150015	Rondelle 6,6x18x1,6*	3	
13	2B001016	Support de centrale ABS	1	
14	2B001564	Plaque support tuyau frein	1	
15	2B001614	Plaque fix. tubes	1	
16	959559	Vis M4x16	1	
17	GU03658330	Collier	1	
18	895709	Vis M5x12	1	
19	AP8150451	Ecrou autofr. bas	1	
20	GU03658201	Bague	1	
21	2B001570	Plaque support tuyau frein	1	
22	2B000276	Collier	2	

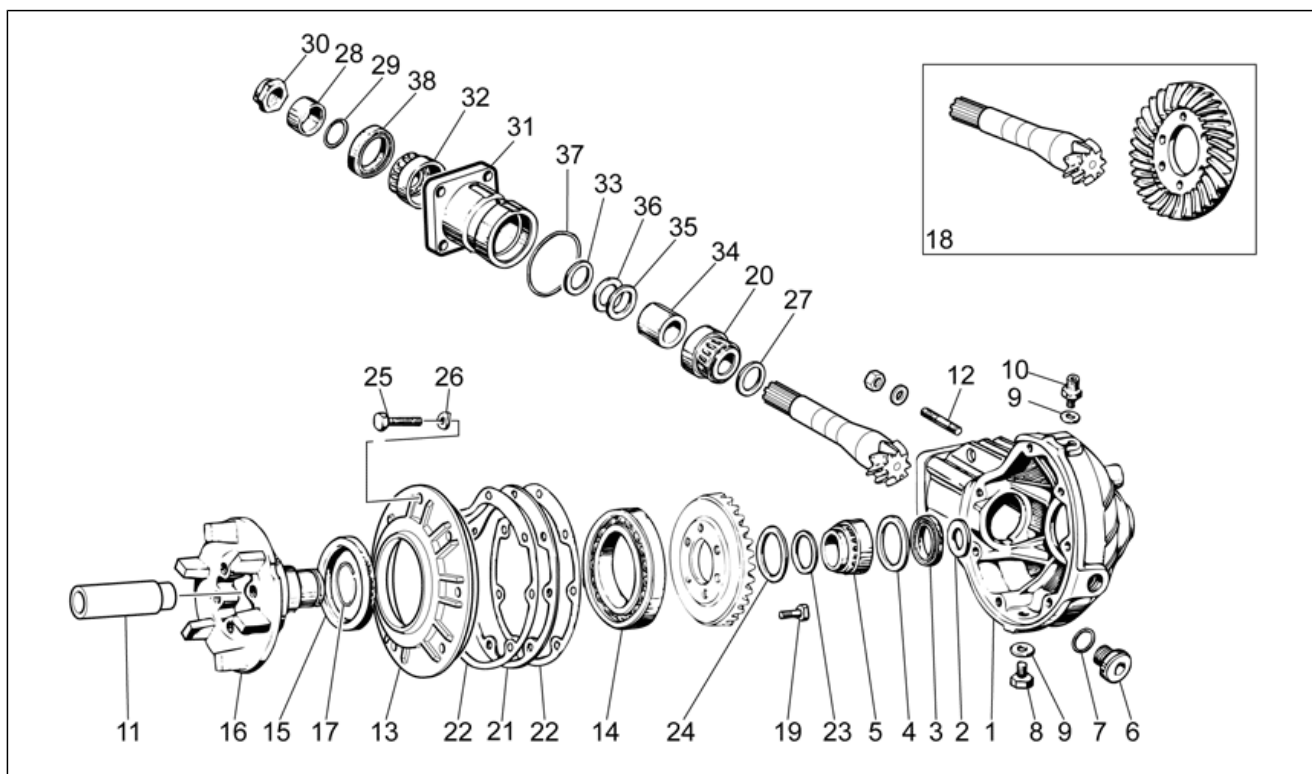
<b>Groupe</b>	MOTEUR
<b>Code</b>	34.09
<b>Description</b>	Transmission cpl. I
<b>Révision</b>	1



Pos.	Code	Description	Quant	Variants
1	976941	Boîte transm.cpl.noir	1	
2	GU31327783	Manchon	1	
3	GU19328801	Manchon	1	
4	GU90272023	Bague seeger	1	
5	GU19327601	Disque	1	
6	GU94321099	Ressort	1	
7	GU23328081	Joint	1	
8	GU23548080	Collier de protection	1	
9	GU23548180	Ressort	1	
10	AP8120246	Collier D=60-80	1	
11	2B001959	Fourche ar., noir	1	
12	GU19547000	Pivot	2	
13	GU35214300	Cale	1	
14	GU31547882	Ecrou	2	
15	GU31544181	Pivot	1	
16	GU98680545	Vis M10x45	1	
17	GU95008210	Rondelle 10,2X18X2	1	
18	GU92606210	Ecrou M10x1,5	1	
19	860651	Ecrou borgne M8x1,25	4	
20	GU14615901	Rondelle 8,4X13X0,8	4	
21	GU93180105	Bouchon	2	
22	GU95005308	Rondelle 8,4x14,57x1,6	4	
23	GU03922280	Bouchon 5x9	1	

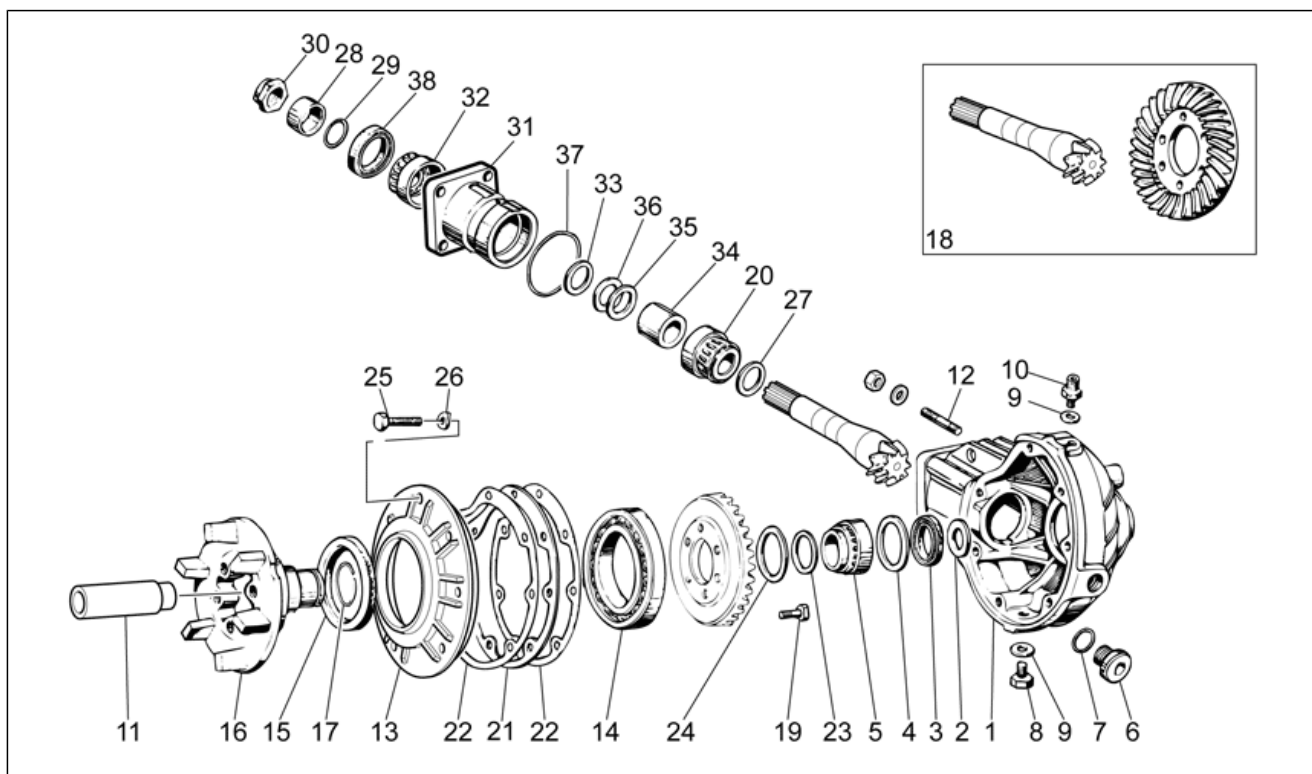


<b>Groupe</b>	MOTEUR
<b>Code</b>	34.10
<b>Description</b>	Transmission cpl. II
<b>Révision</b>	1



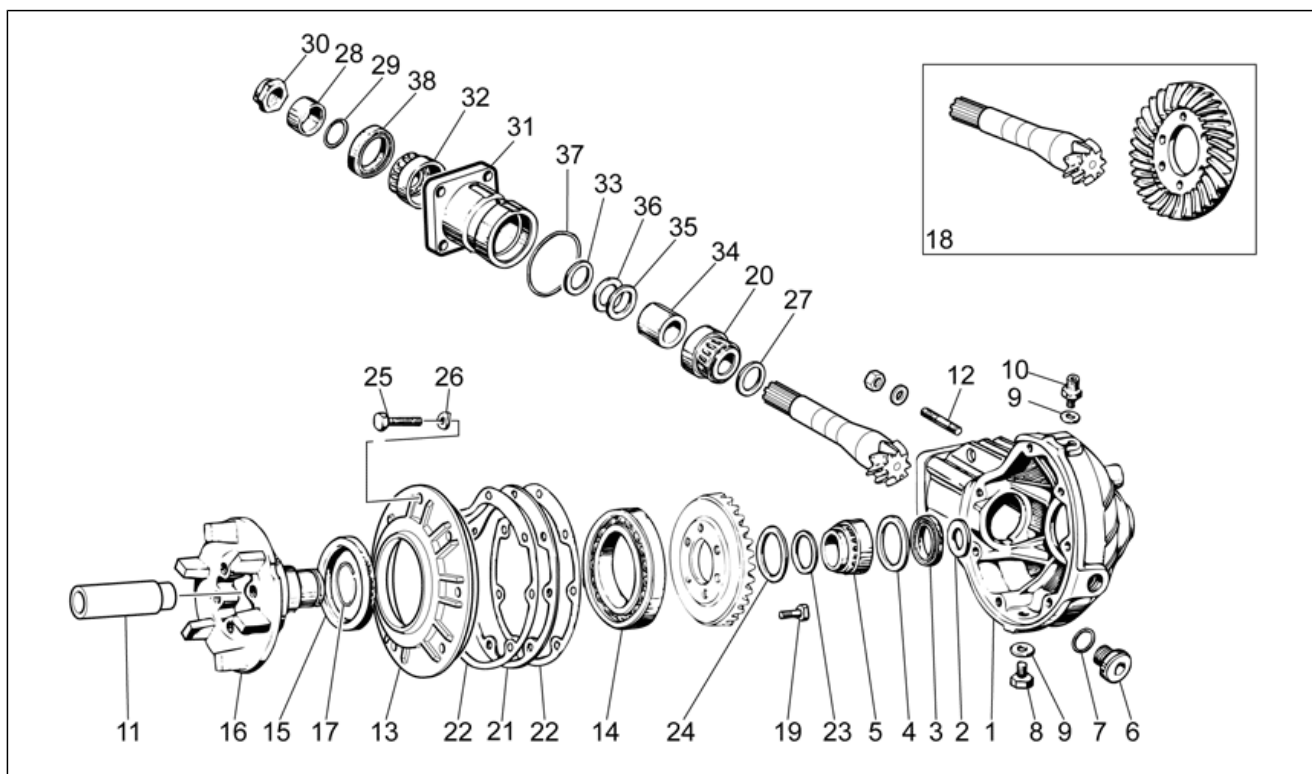
Pos.	Code	Description	Quant	Variants
1	976608	Carter de transmissionnoir	1	
2	GU19351900	Rondelle d'appui	1	
3	GU90403549	Bague d'étanchéité 35x47x7	1	
4	GU19351100	Rondelle d'appui	1	
5	GU92252235	Roulement à rouleaux 35x50x17	1	
6	GU12022600	Bouchon huile	1	
7	GU90706203	Joint torique 20,24X2,62	1	
8	GU31003766	Bouchon vid.huile M10x1	1	
9	GU01528930	Joint 10x18x1,5	2	
10	GU19206501	Bouchon purge	1	
11	GU32633560	Entretoise	1	
12	GU96508055	Vis sans tête	4	
13	GU32350410	Couvercle	1	
14	GU92201070	Roulement à billes 70x110x13	1	
15	GU90407591	Bague d'étanchéité 75x95x10	1	
16	GU32351410	Pivot	1	
17	GU90353030	Bague de butée	1	
18	GU32354610	Couple conique 8/33	1	
19	GU03067730	Vis M8x25	6	
20	GU92249227	Roulement roul.con. 25x5	1	
21	GU19355400	Cale 0,8 mm	1	
21	GU19355402	Cale 0,9 mm	1	
21	GU19355404	Cale 1 mm	1	
21	GU19355406	Cale 1,1 mm	1	
21	GU19355408	Cale 1,2 mm	1	
21	GU19355410	Cale 1,3 mm	1	
21	GU19355411	Cale 1,4 mm	1	
21	GU19355412	Cale 1,5 mm	1	

<b>Groupe</b>	MOTEUR
<b>Code</b>	34.10
<b>Description</b>	Transmission cpl. II
<b>Révision</b>	1



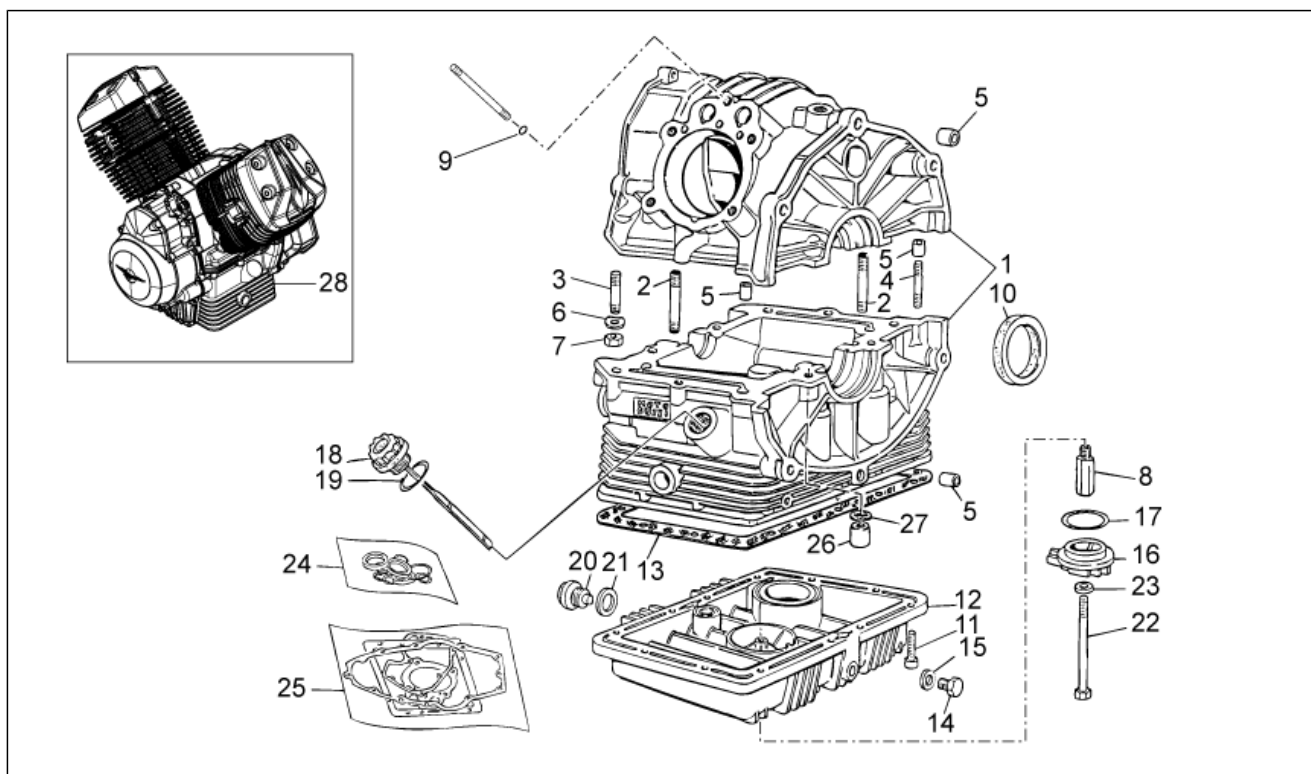
Pos.	Code	Description	Quant	Variants
21	GU19355413	Cale 1,6 mm	1	
22	GU19350700	Joint	2	
23	GU19352300	Rondelle éventail	1	
24	GU19353500	Rondelle éventail	1	
25	GU19357660	Vis	7	
26	GU61270300	Rondelle élastique 8x15x0,3	7	
27	GU19355320	Cale 1 mm	1	
27	GU19355321	Cale 1,1 mm	1	
27	GU19355322	Cale 1,2 mm	1	
27	GU19355323	Cale 1,3 mm	1	
27	GU19355324	Cale 1,4 mm	1	
27	GU19355325	Cale 1,5 mm	1	
27	GU19355326	Cale 1,6 mm	1	
27	GU19355327	Cale 1,7 mm	1	
27	GU19355328	Cale 1,8 mm	1	
27	GU19355329	Cale 1,9 mm	1	
28	GU19356801	Entretoise	1	
29	GU90706188	Bague d'étanchéité 18,77X1,78	1	
30	GU19356700	Ecrou	1	
31	GU20352421	Flasque	1	
32	GU92249220	Roulement à rouleaux 20x47x14	1	
33	GU19355300	Cale 1 mm	1	
33	GU19355301	Cale 1,1 mm	1	
33	GU19355302	Cale 1,2 mm	1	
33	GU19355303	Cale 1,3 mm	1	
33	GU19355304	Cale 1,4 mm	1	
33	GU19355305	Cale 1,5 mm	1	
33	GU19355306	Cale 1,6 mm	1	

<b>Groupe</b>	MOTEUR
<b>Code</b>	34.10
<b>Description</b>	Transmission cpl. II
<b>Révision</b>	1



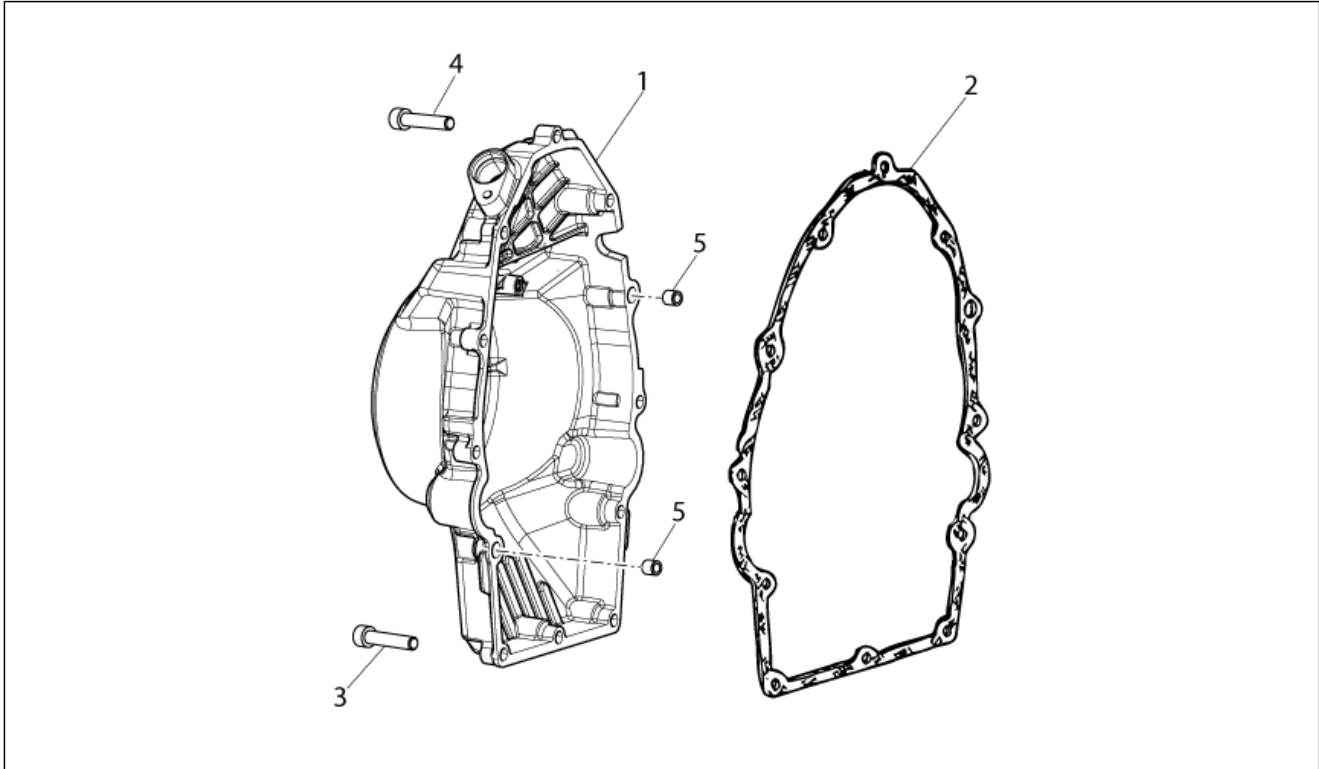
Pos.	Code	Description	Quant	Variants
33	GU19355307	Cale 1,7 mm	1	
33	GU19355308	Cale 1,8 mm	1	
33	GU19355309	Cale 1,9 mm	1	
34	GU20355121	Entretoise	1	
35	GU19355200	Rondelle ajustem. 0,1 mm	1	
36	GU19355202	Rondelle ajustem. 0,15 mm	1	
37	GU90706584	Joint 58,42x2,62	1	
38	GU90403251	Bague d'étanchéité 32x47x10	1	

<b>Groupe</b>	MOTEUR
<b>Code</b>	34.34
<b>Description</b>	Carter
<b>Révision</b>	1



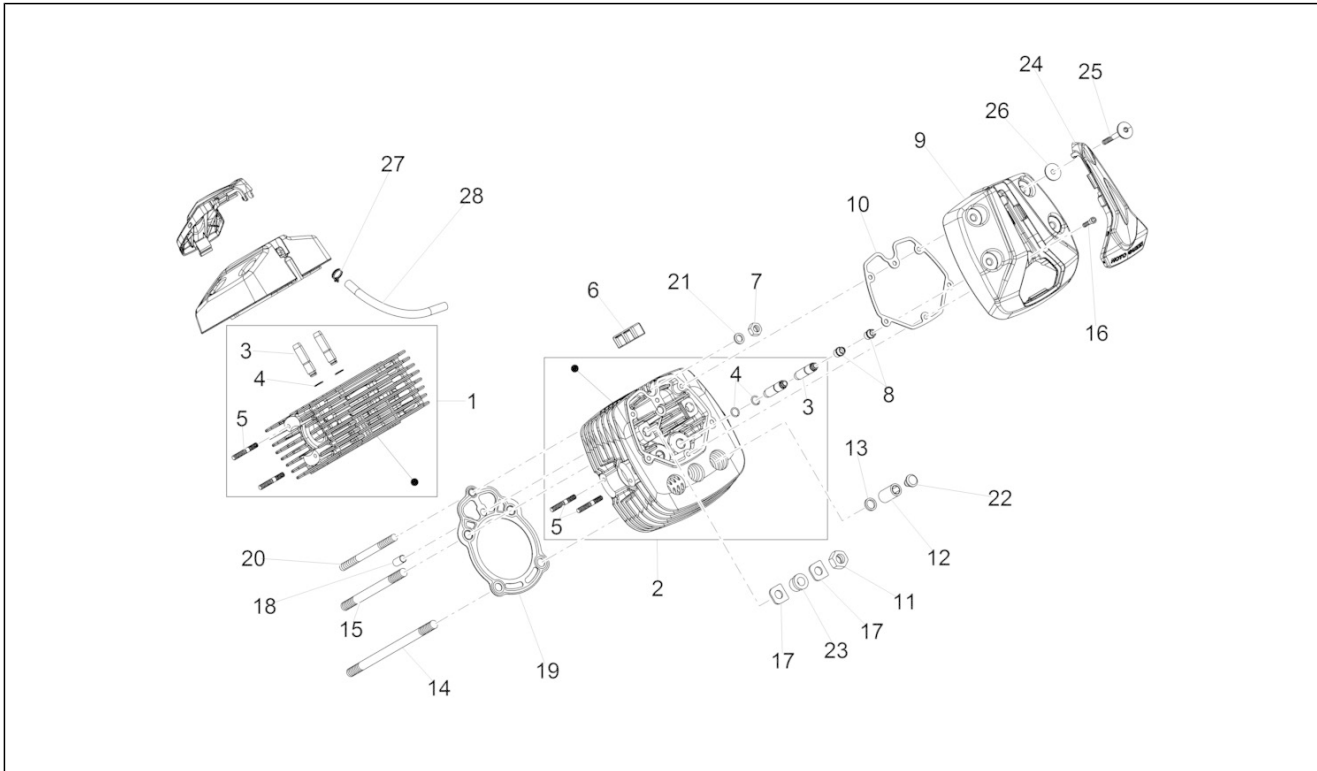
Pos.	Code	Description	Quant	Variants
1	2A0002355	Carter	1	
2	GU96451560	Vis sans tête	4	
3	GU96451430	Vis sans tête	4	
4	GU96508055	Vis sans tête	2	
5	GU19015020	Douille	4	
6	GU61270300	Rondelle élastique 8x15x0,3	6	
7	GU92606208	Ecrou M8x1,25	6	
8	GU19003800	Raccord	1	
9	GU90706076	Joint torique	2	
10	886365	Bague d'étanchéité	1	
11	GU98682325	Vis M6x25	12	
12	976604	Carter huile noir	1	
13	887004	Joint carter huile	1	
14	GU31003766	Bouchon vid.huile M10x1	1	
15	GU10528900	Garniture	1	
16	976685	Petit couvercle	1	
17	GU90706444	Joint torique	1	
18	883826	Bouchon rempl. huile	1	
19	GU90706281	Joint torique 28,24x2,62	1	
20	GU12003702	Bouchon vid.huile	1	
21	GU95100709	Joint 20,1x28x2	1	
22	GU27152885	Boulon	1	
23	GU12154200	Joint 8,25x15x1	1	
24	GU32999510	Joint spy-série	1	
25	GU32999010	Joints-jeu	1	
26	GU13021900	Ecrou colonne	4	
27	GU95129180	Rondelle 10,5X18X0,8	4	
28	2L0002405	Moteur comp.sansbo.vitesses	1	

<b>Groupe</b>	MOTEUR
<b>Code</b>	34.35
<b>Description</b>	Couvercle distribution
<b>Révision</b>	1



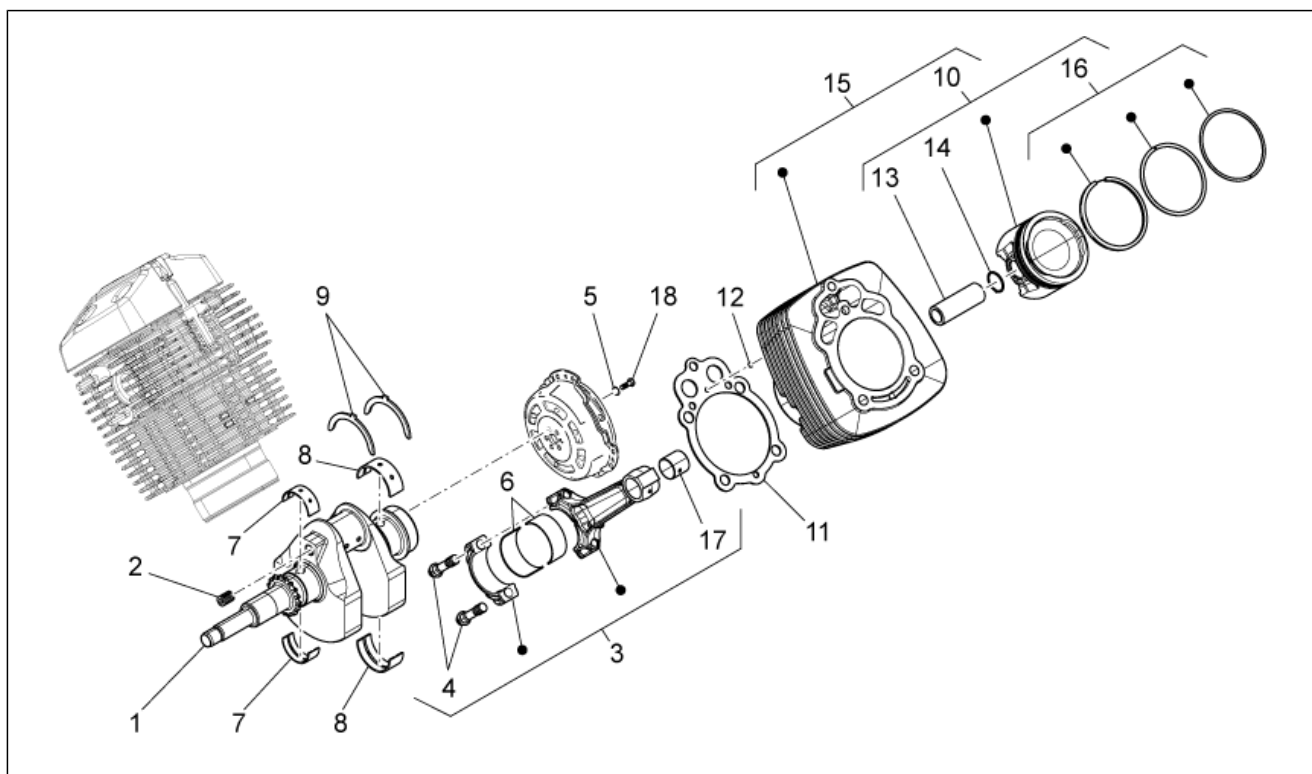
Pos.	Code	Description	Quant	Variants
1	2A000085	Couvercle	1	
2	887003	Joint couvercle	1	
3	GU98682325	Vis M6x25	10	
4	GU98682330	Vis M6x20	2	
5	GU19002020	Douille 6,6x9x13	2	

<b>Groupe</b>	MOTEUR
<b>Code</b>	34.36
<b>Description</b>	Tête cylindre
<b>Révision</b>	1



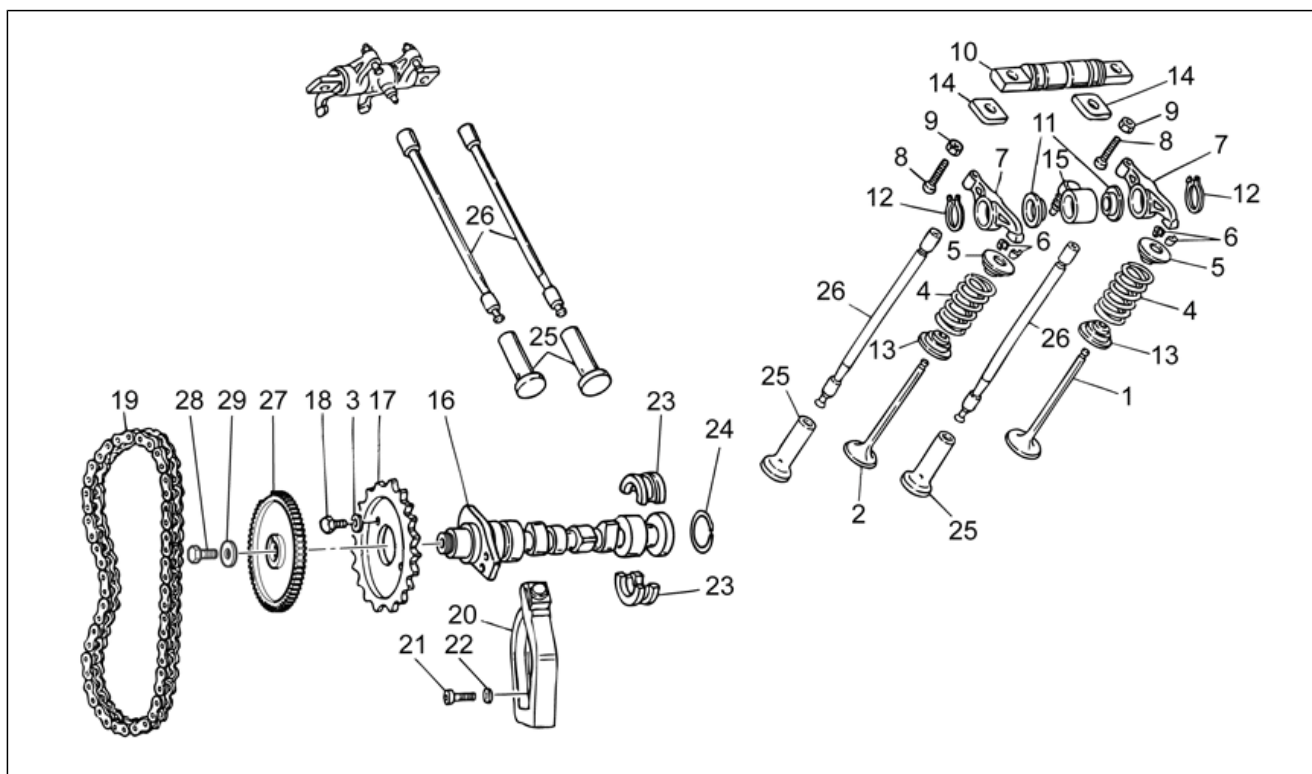
Pos.	Code	Description	Quant	Variants
1	8872724	Culasse d.	1	
2	8872754	Culasse g.	1	
3	GU61036801	Guide soupape	4	
4	GU90353009	Anneau élastique	4	
5	GU96506042	Vis sans tête	4	
6	B063111	Tasseau antivibration	4	
7	GU19021920	Ecrou	2	
8	GU19037820	Joint spi	4	
9	887523	Couvre-culasse	2	
10	887002	Joint couvercle-culasse	2	
11	GU92603010	Ecrou M10X1,5	4	
12	GU13021900	Ecrou colonne	4	
13	GU95129180	Rondelle 10,5X18X0,8	4	
14	GU96510214	Vis sans tête M10x214	4	
15	GU96510181	Vis sans tête M10x182	4	
16	GU98692325	Vis M6x25	4	
17	GU19032980	Cale	8	
18	GU19021360	Douille	2	
19	B063099	Joint tête-cylindre	2	
20	976898	Vis sans tête M8x140	2	
21	GU61270300	Rondelle élastique 8x15x0,3	2	
22	GU93180245	Bouchon	4	
23	AP8144071	Caoutchouc pot	1	
24	887279	Couvercle bougie	2	
25	887483	Vis de couvre-culasse M6x2,5	8	
26	969973	Rondelle	8	
27	AP8201358	Collier D 11,9	1	
28	2B001204	Tuyau blow-by	1	

<b>Groupe</b>	MOTEUR
<b>Code</b>	34.37
<b>Description</b>	Arbre moteur cpl.
<b>Révision</b>	1



Pos.	Code	Description	Quant	Variants
1	2A0000995	Arbre moteur	1	
2	GU19065400	Bouchon	1	
3	GU27061585	Bielle cpl.	2	
4	GU19062261	Vis	4	
5	GU14615901	Rondelle 8,4X13X0,8	6	
6	GU27062060	Demi-coussinet	4	
7	GU27065660	Demi-couss.de vilebr.av.	2	
8	GU27066560	Demi-couss.de vilebr.ar.	2	
9	GU27066460	Demi-etau	2	
10	8872690001	Piston compl. d.80 Cat. D	1	
10	8872690002	Piston compl. d.80 Cat. E	1	
10	8872690003	Piston compl. d.80 Cat. F	1	
11	886670	Garniture cylindre	2	
12	GU61027200	Joint torique	2	
13	B063016	Axe	2	
14	874567	Bague de butée	4	
15	B063465	Cylindre av.piston cpl.	2	
16	B063466	Ensemble de segments	2	
17	GU27061885	Douille	2	
18	GU19067700	Vis	6	

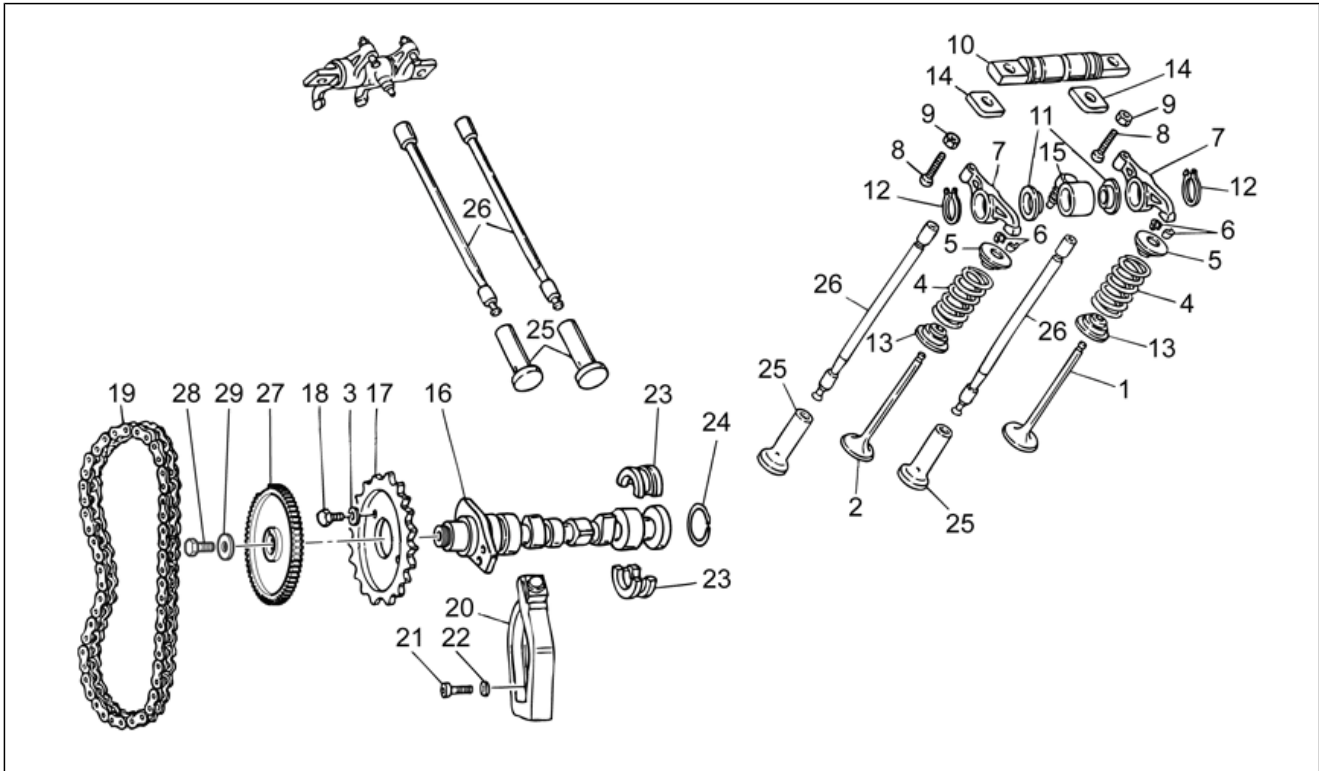
<b>Groupe</b>	MOTEUR
<b>Code</b>	34.38
<b>Description</b>	Distribution
<b>Révision</b>	1



Pos.	Code	Description	Quant	Variants
1	2A000146	Soupape d'admission	2	
2	2A000147	Soupape decharge	2	
3	GU23217800	Rondelle de séreté	2	
4	GU27037521	Ressort	4	
5	GU31038015	Coupelle supérieur	4	
6	GU61038100	Demi-clavette	8	
7	GU19030500	Culbuteur	4	
8	GU19034000	Vis	4	
9	GU92602406	Ecrou M6x1	4	
10	GU19032080	Axe culbuteur	2	
11	GU32032310	Rondelle éventail	4	
12	GU90271018	Bague seeger	4	
13	GU31037015	Coupelle inférieure	4	
14	GU19032980	Cale	4	
15	GU19027500	Manchon	2	
16	GU32053410	Arbre à cames	1	
17	GU32054510	Engrenage distribution	1	
18	GU61054900	Boulon	2	
19	GU19058021	Chaîne de distribution	1	
20	GU19058220	Tendeur de chaine	1	
21	GU98882316	Vis	1	
22	GU95129115	Rondelle	1	
23	GU19055700	Secteur	2	
24	GU90353029	Anneau élastique	1	
25	GU19045861	Poussoir	4	
26	GU31045015	Culbuteur tige	4	
27	887528	Wheel speed sensor, LH front	1	
28	GU98054422	Vis M8x22	1	

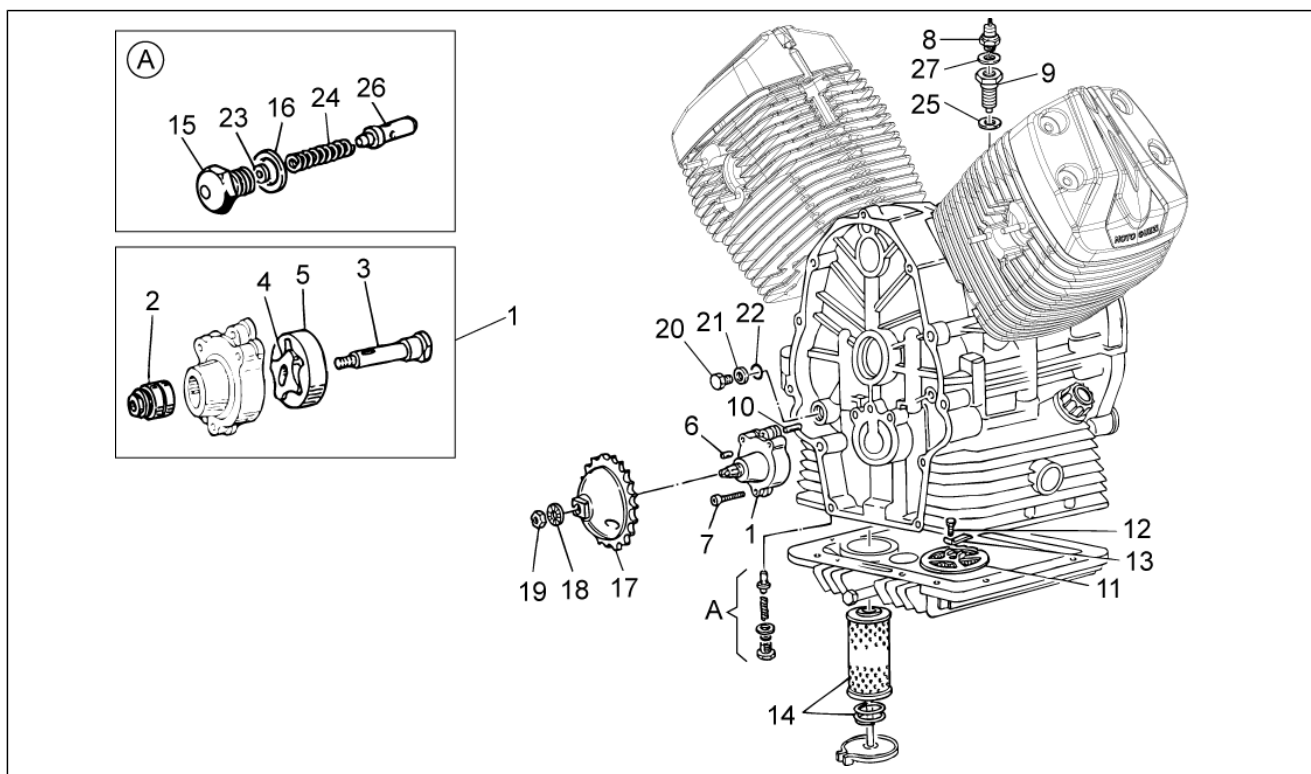


<b>Groupe</b>	MOTEUR
<b>Code</b>	34.38
<b>Description</b>	Distribution
<b>Révision</b>	1



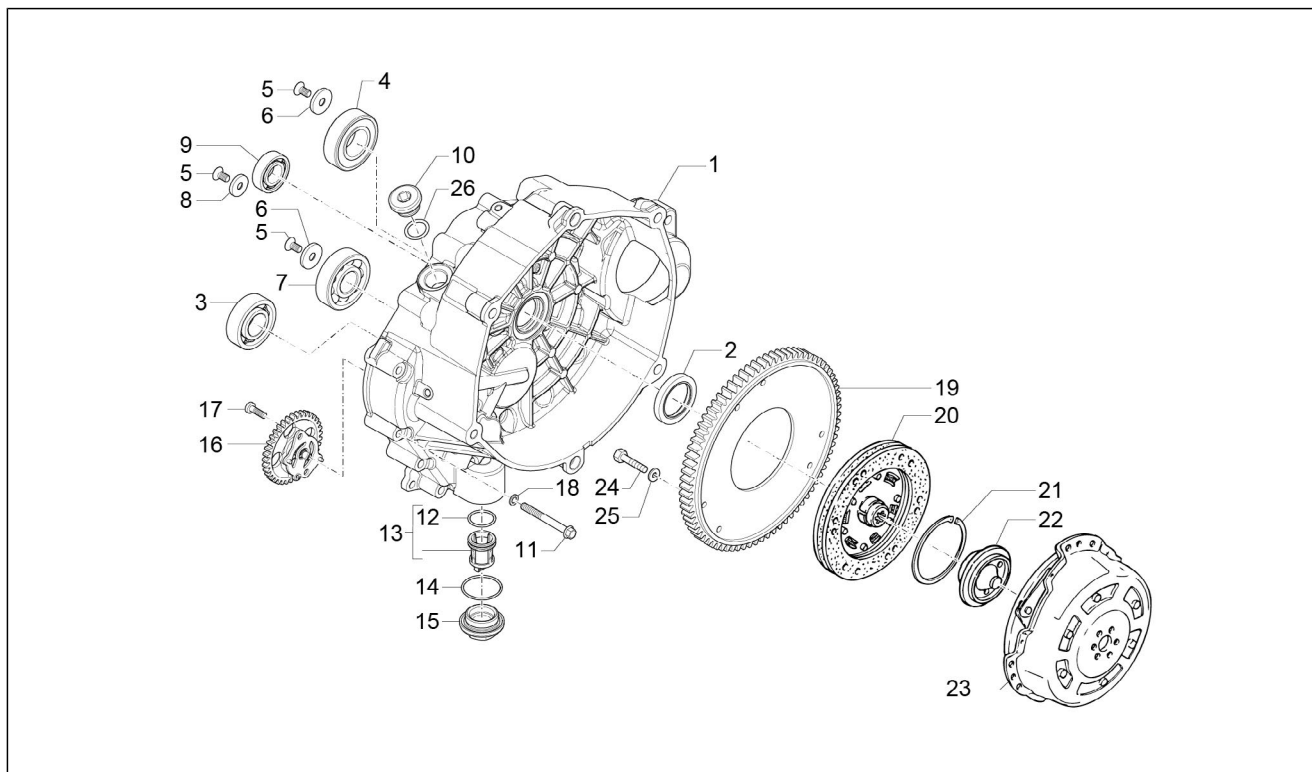
Pos.	Code	Description	Quant	Variants
29	GU95100244	Rondelle	1	

<b>Groupe</b>	MOTEUR
<b>Code</b>	34.39
<b>Description</b>	Pompe huile
<b>Révision</b>	1



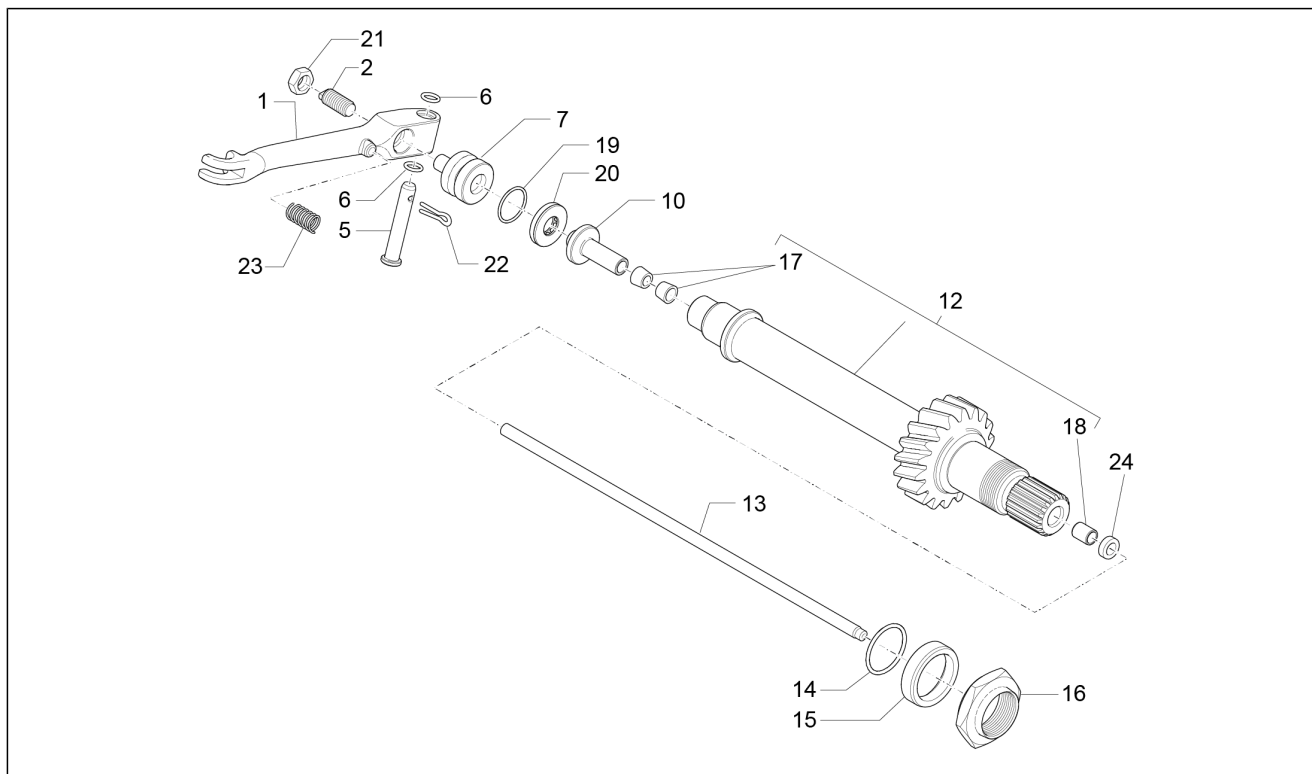
Pos.	Code	Description	Quant	Variants
1	GU19146422	Pompe huile	1	
2	GU92252210	Roulement à rouleaux 10x22x20	1	
3	GU20147810	Arbre pompe huile	1	
4	GU20148410	Rotor intérieur	1	
5	GU20148610	Rotor extérieur	1	
6	GU92296723	Rouleau	1	
7	884039	Vis M6x35	3	
8	641541	Capteur de pression d'huile	1	
9	887093	Raccord	1	
10	GU19018920	Goupille	2	
11	GU19152200	Filtre à huile	1	
12	GU98084314	Vis M6x14	1	
13	GU95187006	Plaquette	1	
14	GU27153085	Filtre à huile	1	
15	GU31159050	Bouchon	1	
16	GU18144350	Rondelle 18,25x24x1	3	
17	GU20147710	Pignon de pompe	1	
18	AP8152220	Rondelle	1	
19	GU92602510	Ecrou M10x1,25	1	
20	GU31016050	Bouchon	1	
21	GU18161150	Garniture 14,25	1	
22	GU90706111	Joint torique	1	
23	GU95008206	Rondelle 6,15x11x0,8	3	
24	GU94321079	Ressort	1	
25	GU95100602	Joint	1	
26	GU31159050	Piston	1	
27	GU95100309	Rondelle	1	

<b>Groupe</b>	MOTEUR
<b>Code</b>	34.40
<b>Description</b>	Embrague I
<b>Révision</b>	1



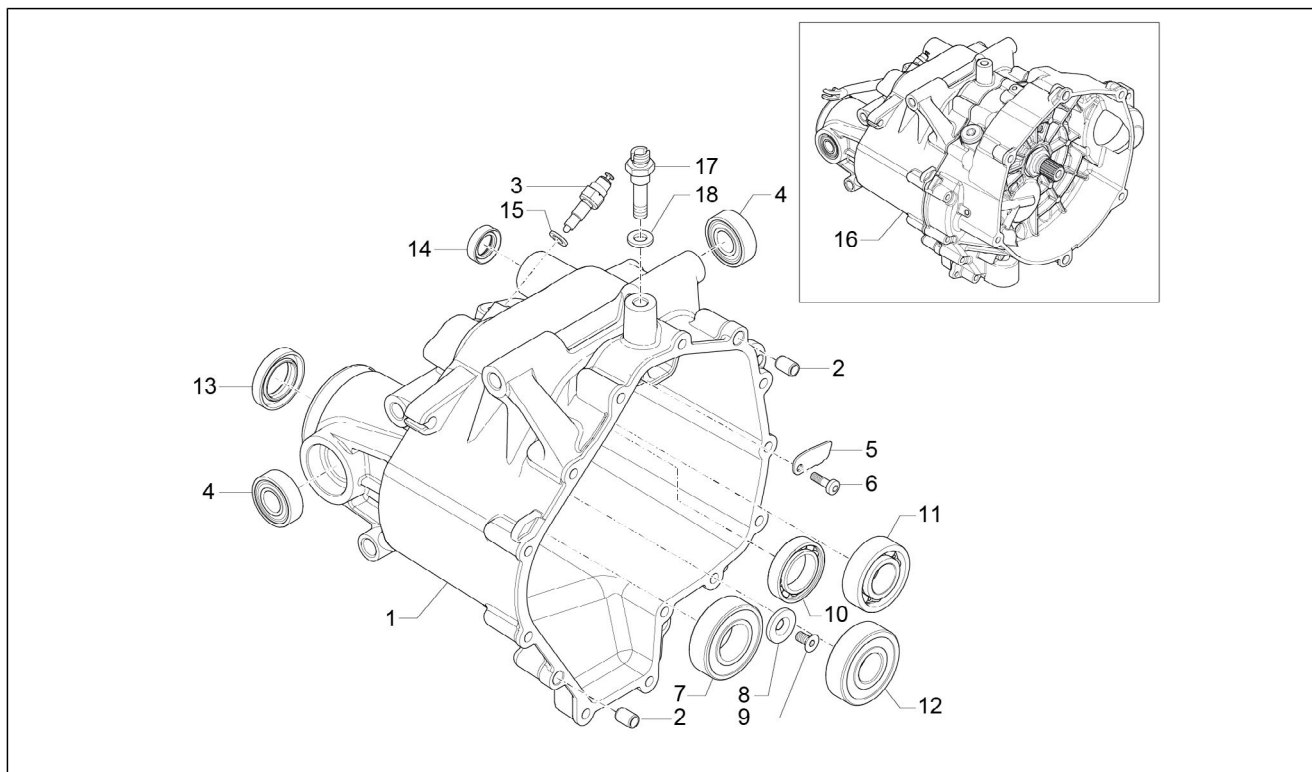
Pos.	Code	Description	Quant	Variants
1	2A0003794	Cloche embrayage	1	
2	886629	Bague d'étanchéité	1	
3	848650	Roulement à billes 20x47x14	1	
4	GU92201226	Roulement à billes 25x52x15	1	
5	B013608	Vis	4	
6	873928	Rondelle	3	
7	GU92201822	Roulement à billes 20x52x15	1	
8	873905	Rondelle	1	
9	834764	Roulement	1	
10	GU12022600	Bouchon huile	1	
11	AP8150045	Vis M6x55	14	
12	B017406	Joint torique 20,35x1,78	1	
13	B018020	Filtre à huile cpl.	1	
14	285536	Joint torique 31,47x1,78	1	
15	B015598	Bouchon filtre à huile	1	
16	B018448	Pompe à huile complète	1	
17	2A000241	Vis M5x16	2	
18	GU95008306	Rondelle 6,4x12x1,2	14	
19	GU32067910	Couronne	1	
20	GU32084410	Disque embrayage mené	1	
21	GU90272075	Anneau élastique	1	
22	GU19083462	Cuvette	1	
23	GU32080310	Embrayage	1	
24	884038	Vis M6x16	6	
25	GU14217901	Rondelle 6,4x10x0,7	6	
26	GU90706203	Joint torique 20,24x2,62	1	

<b>Groupe</b>	MOTEUR
<b>Code</b>	34.41
<b>Description</b>	Embrague II
<b>Révision</b>	1



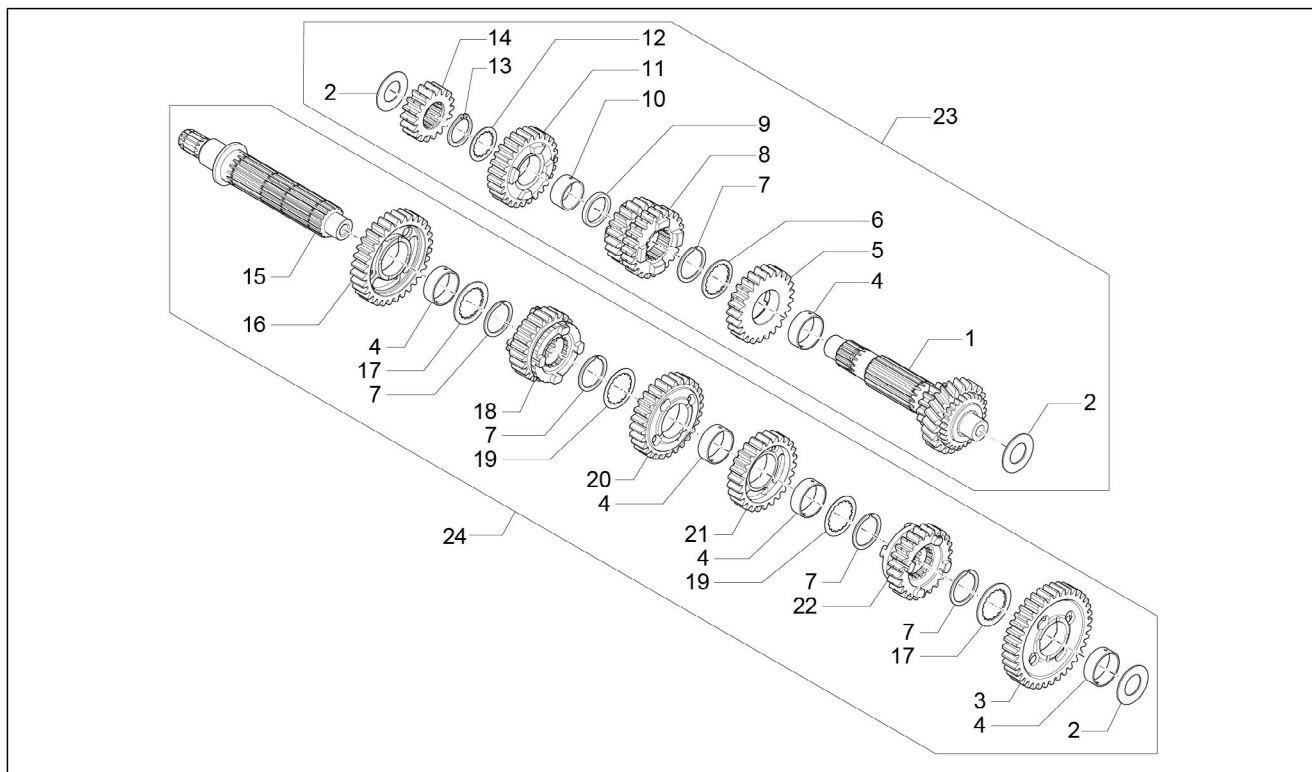
Pos.	Code	Description	Quant	Variants
1	2A000383	Débrayage	1	
2	GU14090400	Vis embrayage	1	
5	2A000384	Goujon de levier	1	
6	2A000385	Joint torique 6.5x1.5	2	
7	GU14086100	Corps extérieur	1	
10	B013037	Pignon embrayage	1	
12	2A000204	Arbre embrayage Z=18	1	
13	2A000216	Tige de commande	1	
14	GU90706235	Joint torique 23,52x1,78	1	
15	GU19213760	Entretoise	1	
16	GU19356760	Ecrou	1	
17	GU14085900	Douille	2	
18	GU05217630	Douille	1	
19	GU90706170	Joint torique 17,13x2,62	1	
20	2A000376	Palier poussée	1	
21	GU92606508	Ecrou	1	
22	GU95500222	Goupille	1	
23	GU94321105	Retour levier démarrage	1	
24	2A000378	Bague d'étanchéité	1	

<b>Groupe</b>	MOTEUR
<b>Code</b>	34.42
<b>Description</b>	Carter de boîte vitesses
<b>Révision</b>	1



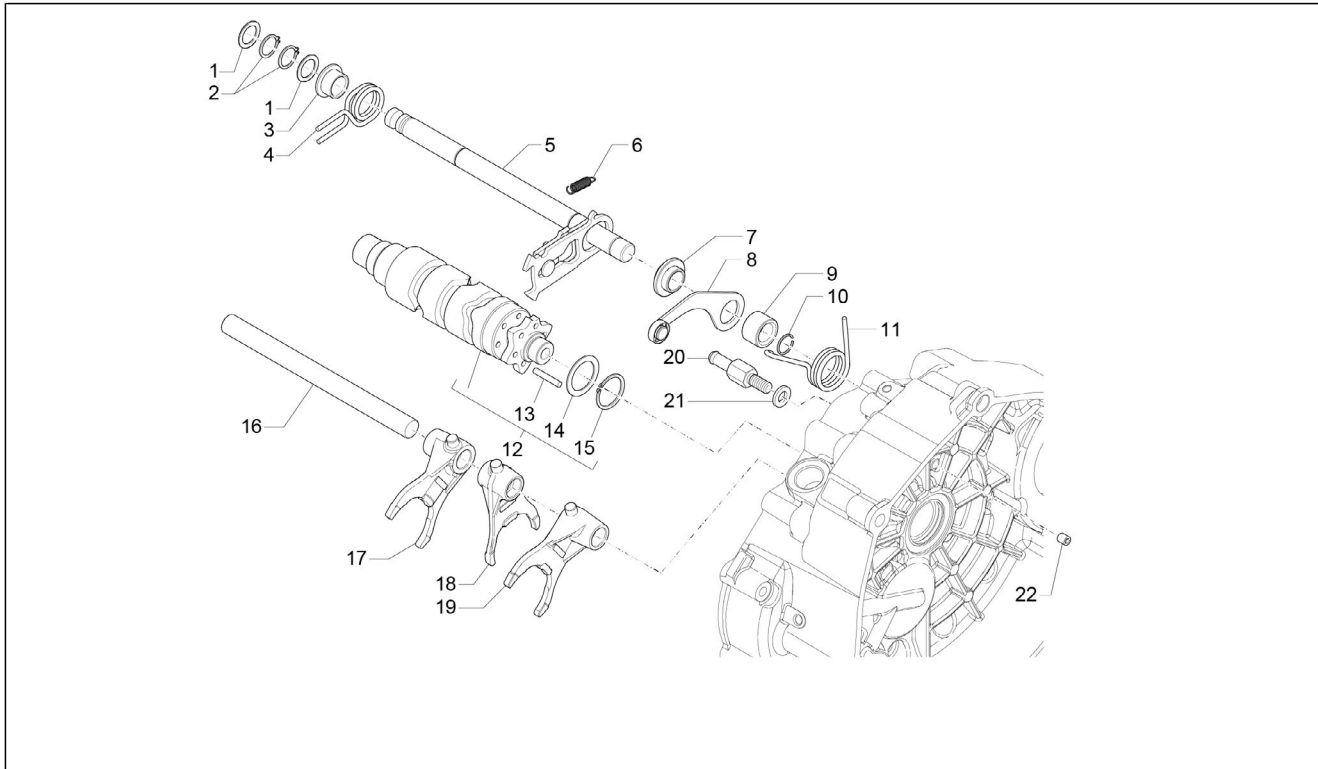
Pos.	Code	Description	Quant.	Variants
1	2A000210	Carter de boîte vitesses	1	
2	GU19002020	Douille 6,6x9x13	2	
3	B063269	Capteur	1	
4	2A000097	Roulement à billes 6202-2RSH/C3 LHT23	2	
5	2A000306	Plaque butée	1	
6	2A000241	Vis M5x16	1	
7	GU92201226	Roulement à billes 25x52x15	1	
8	873928	Rondelle	1	
9	B013608	Vis	1	
10	857250	Roulement à billes 25x42x9	1	
11	2A000375	Roulement à billes	1	
12	GU92201822	Roulement à billes 20x52x15	1	
13	GU90412541	Bague d'étanchéité 25X40X7	1	
14	GU90401424	Bague d'étanchéité 14x24x7	1	
15	B063025	Joint 8,7x14,2x1,3	1	
16	2A000196	Boîte de vitesses cpl.	1	
17	2A000438	Bouchon purge	1	
18	GU01528930	Joint 10x18x1,5	1	

<b>Groupe</b>	MOTEUR
<b>Code</b>	34.43
<b>Description</b>	Boîte de vitesses
<b>Révision</b>	1



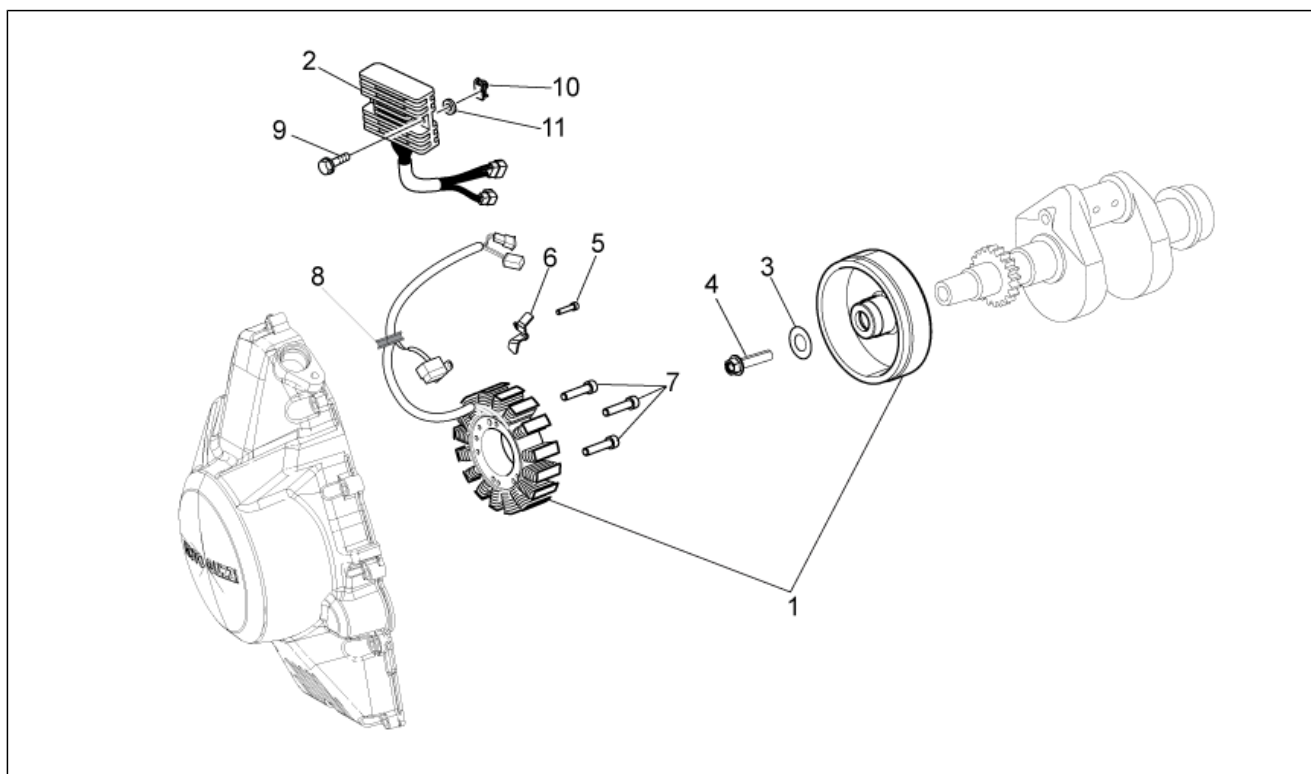
Pos.	Code	Description	Quant	Variants
1	2A000230	Arbre primaire	1	
2	1A000566	Rondella di spallamento	3	
3	B017470	Pignone de 1e vit.	1	
4	849308	Bague mobile	5	
5	1A000360	Engrenage 5eme vitesse	1	
6	849424	Rondelle d'appui	1	
7	1A002604	Anneau élast. arbres	5	
8	1A000436	Pignone coulissant 3a - 4a vel.	1	
9	B015040	Rondella di spallamento	1	
10	974162	Bague mobile	1	
11	1A000361	Engr. 6e sur prim.	1	
12	849396	Rondelle d'appui	1	
13	974165	Anneau élastique	1	
14	1A000365	Engr. 2e sur prim.	1	
15	2A000203	Albero cambio secondario	1	
16	1A000366	Engrenage 2eme vitesse Z=32	1	
17	849309	Rondelle d'appui	2	
18	1A000370	Engrenage 6e Z=24	1	
19	849310	Rondelle d'appui	2	
20	1A000367	Engrenage 3eme vitesse Z=28	1	
21	1A000368	Engrenage 4eme vitesse Z=26	1	
22	1A000369	Engrenage 5eme vitesse Z=24	1	
23	2A000199	Arbre prim. comp.	1	
24	2A000202	Arbre sec. comp.	1	

<b>Groupe</b>	MOTEUR
<b>Code</b>	34.44
<b>Description</b>	Selecteur boîte de vitesses
<b>Révision</b>	1



Pos.	Code	Description	Quant	Variants
1	GU05239330	Butée	2	
2	GU90271014	Bague seeger	2	
3	GU05238131	Entretoise	1	
4	B063956	Ressort	1	
5	2A000219	Preselecteur complet	1	
6	GU05238231	Ressort	1	
7	GU05238431	Douille	1	
8	B064112	Levier index cpl	1	
9	GU05234230	Entretoise	1	
10	GU90353014	Bague seeger	1	
11	B064113	Ressort index	1	
12	2A000222	Desmodromique cpl.	1	
13	GU05234631	Tige	6	
14	GU05235531	Cale	1	
15	GU90271022	Bague seeger	1	
16	2A000224	Tige	1	
17	2A000226	Fourchette 2-3 vitesses	2	
18	2A000227	Forchetta 5-6 v.tà	1	
19	2A000225	Forchetta per albero secondario	1	
20	2A000416	Vite di fermo	1	
21	B063025	Joint 8,7x14,2x1,3	1	
22	862560	Ecrou spéciale	1	

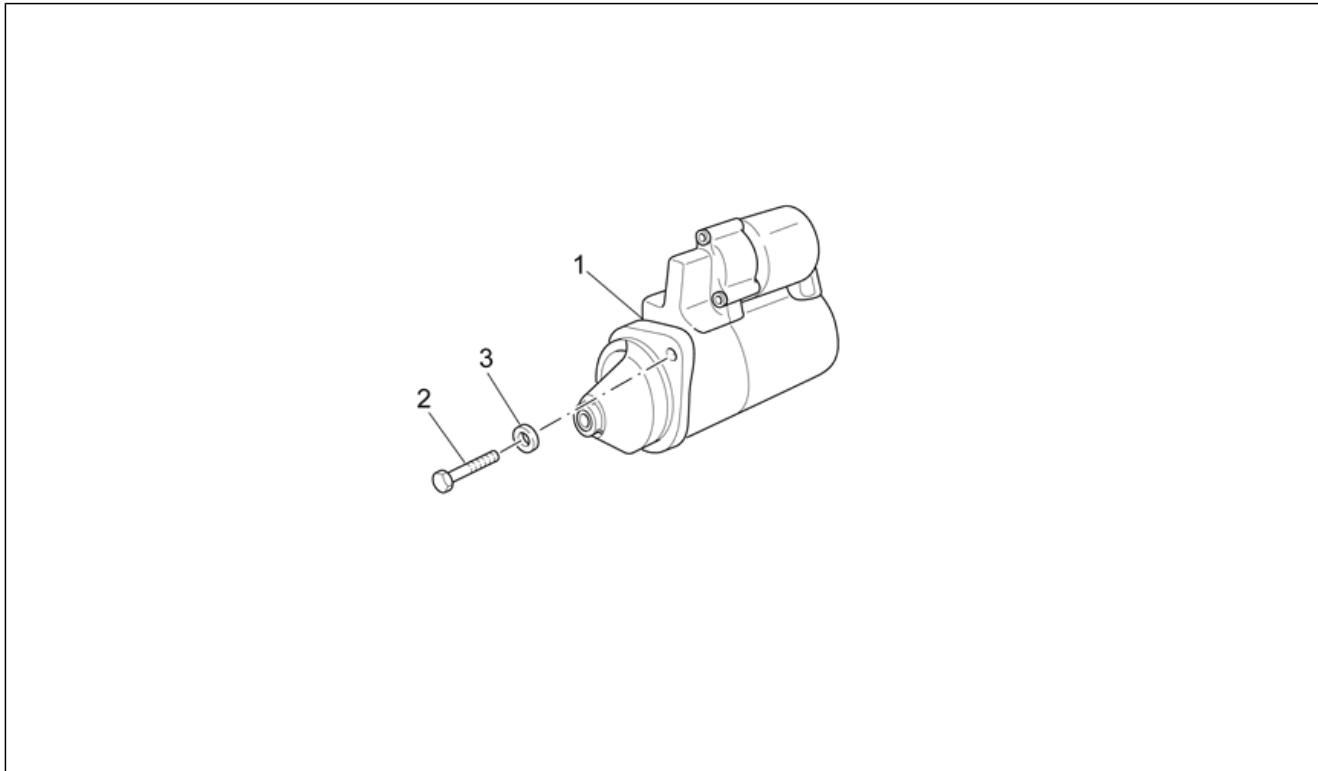
<b>Groupe</b>	MOTEUR
<b>Code</b>	34.45
<b>Description</b>	Alternateur - Régul.
<b>Révision</b>	1



Pos.	Code	Description	Quant	Variants
1	2D000024	Volant magnétique compl.	1	
2	2D000043	Régulateur de tension	1	
3	897478	Rondelle 12x26.5x3	1	
4	857206	Vis bride M12X1,25X50	1	
5	GU98682212	Vis M5x12	1	
6	2A000115	Plaquette	1	
7	2A000129	Vis TCHC basse M6x35	3	
8	GU19007700	Caoutchouc	1	
9	AP8152281	Vis bride M6x30	2	
10	254485	Plaquette elastique M6	2	
11	GU95100125	Rondelle	2	

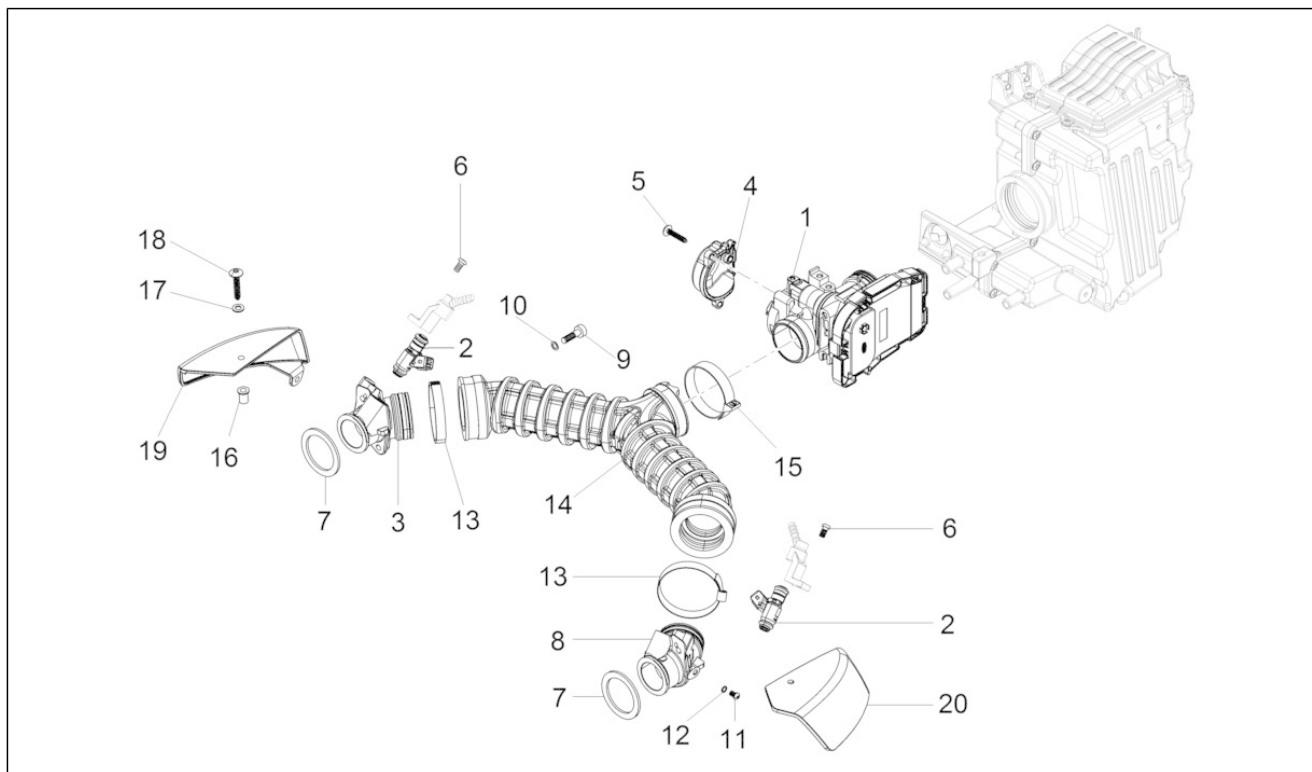


<b>Groupe</b>	MOTEUR
<b>Code</b>	34.46
<b>Description</b>	Démarrreur
<b>Révision</b>	1



Pos.	Code	Description	Quant	Variants
1	GU05730730	Démarrreur Bosch	1	
2	GU98682435	Vis	2	
3	GU95008208	Rondelle 8,4X15X1,5	2	

<b>Groupe</b>	MOTEUR
<b>Code</b>	34.47
<b>Description</b>	Corps à papillon
<b>Révision</b>	1



Pos.	Code	Description	Quant	Variants
1	CM228306	Centrale électronique d'injection	1	
2	B063049	Injecteur	2	
3	GU32115010	Pipe d.	1	
4	880260	Protection Corps à papillon	1	
5	B016796	Vis à tête bombée Torx	3	
6	AP8152298	Vis bride M5x16	2	
7	GU32115510	Joint	2	
8	GU32115011	Pipe g.	1	
9	GU98622322	Vis	4	
10	GU03013800	Rondelle 6,4x12	4	
11	884029	Vis M6x10	2	
12	GU95100116	Rondelle 6,25x10x1,5	2	
13	884311	Collier D.61	2	
14	2B001031	Manchon corps papil.	1	
15	884310	Collier D.55	1	
16	GU93231605	Douille anti vibr.	4	
17	GU30577800	Rondelle nylon 5,5X12X1	4	
18	GU98370515	Vis	4	
19	978938	Couvercle droit chromé	1	
20	978939	Couvercle G	1	



PIAGGIO & C.s.p.a.



## SPARE PARTS CATALOGUE



### V7 II Special ABS 750 USA-CND 2016

Chassis prefix: ZGULWUB1

Engine prefix:

V7

GU124



## Index

Finished products.....	4
Alphanumeric index.....	5
FRAME.....	10
Table 33.01 - Frame I.....	10
Table 33.02 - Frame II.....	11
Table 33.03 - Lateral stand.....	12
Table 33.04 - Front footrests.....	13
Table 33.05 - Rear footrests.....	14
Table 33.06 - Gear lever.....	15
Table 33.07 - Front fork I.....	16
Table 33.08 - Fron fork II.....	17
Table 33.11 - Rear shock absorber.....	19
Table 33.12 - Fuel tank.....	20
Table 33.13 - Front body - Front mudguard.....	21
Table 33.14 - Saddle-Central bod.....	22
Table 33.15 - Rear body I- Mudguard.....	23
Table 33.16 - Rear body II- Plate holder.....	24
Table 33.17 - Dashboard.....	25
Table 33.18 - Handlebar - Controls.....	26
Table 33.19 - Front brake system.....	27
Table 33.21 - Fuel pump.....	28
Table 33.22 - Air box.....	29
Table 33.23 - Exhaust unit.....	30
Table 33.24 - Front wheel I.....	31
Table 33.25 - Rear wheel I.....	32
Table 33.26 - Rear master cylinder.....	33
Table 33.27 - Rear brake caliper.....	34
Table 33.28 - Front lights.....	35
Table 33.29 - Rear lights.....	36
Table 33.30 - Electrical system I.....	37
Table 33.31 - Electrical system II.....	38
Table 33.32 - Lock hardware kit.....	40
Table 33.33 - Decal and plate set.....	41
Table 33.36 - ABS Brake system.....	42
Table 33.48 - Fuel vapour recover system.....	43
ENGINE.....	44
Table 34.09 - Transmission complete I.....	44
Table 34.10 - Transmission complete II.....	45
Table 34.34 - Crank-case.....	48
Table 34.35 - Timing system cover.....	49
Table 34.36 - Cylinder head.....	50
Table 34.37 - Crankshaft cpl.....	51
Table 34.38 - Timing system.....	52



---

Table 34.39 - Oil pump.....	54
Table 34.40 - Clutch I.....	55
Table 34.41 - Clutch II.....	56
Table 34.42 - Transmission cage.....	57
Table 34.43 - Gear box.....	58
Table 34.44 - Gear box selector.....	59
Table 34.45 - Generator - Regulator.....	60
Table 34.46 - Starter motor.....	61
Table 34.47 - Throttle body.....	62



## Finished products

Code	Validity
GU9032114USG00	
GU9032114USG01	
GU9032114USG02	
GU9032114USG03	



Code	No. table	Pos.	Code	No. table	Pos.	Code	No. table	Pos.
080341	33.30	6	2B000909	33.12	14	2D000247	33.30	11
1A000360	34.43	5	2B000975	33.01	1	2G000072	33.33	15
1A000361	34.43	11	2B000980	33.02	1	2G000073	33.33	17
1A000365	34.43	14	2B000988	33.02	2	2G000074	33.33	19
1A000366	34.43	16	2B000995	33.23	1	2G000076	33.33	16
1A000367	34.43	20	2B000996	33.23	2	2H000020000XN2	33.12	1
1A000368	34.43	21	2B001004	33.02	9	2H000023	33.33	7
1A000369	34.43	22	2B001008	33.02	8	2H000024	33.33	13
1A000370	34.43	18	2B001016	33.36	13	2H000025	33.33	4
1A000436	34.43	8	2B001031	34.47	14	2H000026	33.33	12
1A000566	34.43	2	2B001035	33.01	10	2H000059	33.33	7
1A002604	34.43	7	2B001036	33.03	1	2H000060	33.33	13
1C001499	33.03	9	2B001096	33.06	1	2H000061	33.33	4
248419	33.26	19	2B001101	33.17	8	2H000062	33.33	12
254485	33.15	4	2B001138	33.18	25	2H000664000YA4	33.12	1
254485	33.22	14	2B001197	33.19	13	2H000664000YR6	33.12	1
254485	33.23	20	2B001199	33.19	1	2H000725	33.33	5
254485	33.28	20	2B001202	33.18	3	2H000728000XN2	33.14	10
254485	34.45	10	2B001204	34.36	28	2H000729000XN2	33.14	17
285536	34.40	14	2B001230	33.02	10	2L0002405	34.34	28
2A000085	34.35	1	2B001300	33.18	2	2Q000057	33.33	10
2A000097	34.42	4	2B001342	33.21	2	2R000109	33.08	29
2A0000995	34.37	1	2B001427	33.07	1	2R000110	33.08	4
2A000115	34.45	6	2B001555	33.36	5	2R000243	33.08	15
2A000129	34.45	7	2B001556	33.36	4	2R000248	33.27	7
2A000146	34.38	1	2B001557	33.36	2	584211	33.31	10
2A000147	34.38	2	2B001558	33.36	3	638733	33.31	6
2A000196	34.42	16	2B001561	33.24	22	641040	33.30	8
2A000199	34.43	23	2B001564	33.36	14	641541	34.39	8
2A000202	34.43	24	2B001570	33.36	21	641725	33.30	7
2A000203	34.43	15	2B001591	33.08	10	641901	33.30	4
2A000204	34.41	12	2B001597	33.26	13	642034	33.30	3
2A000210	34.42	1	2B001612	33.02	3	658837	33.26	11
2A000216	34.41	13	2B001614	33.36	15	832029	33.30	14
2A000219	34.44	5	2B001708	33.24	21	834764	34.40	9
2A000222	34.44	12	2B001748	33.29	1	848650	34.40	3
2A000224	34.44	16	2B001783	33.15	12	849308	34.43	4
2A000225	34.44	19	2B001926	33.19	9	849309	34.43	17
2A000226	34.44	17	2B001927	33.19	8	849310	34.43	19
2A000227	34.44	18	2B001928	33.19	6	849396	34.43	12
2A000230	34.43	1	2B001929	33.19	7	849424	34.43	6
2A0002355	34.34	1	2B001941	33.06	8	854973	33.36	8
2A000241	34.40	17	2B001959	34.09	11	856063	33.48	14
2A000241	34.42	6	2B001998	33.18	24	857206	34.45	4
2A000306	34.42	5	2B002069	33.23	11	857250	34.42	10
2A000375	34.42	11	2B002070	33.23	10	859792	33.24	20
2A000376	34.41	20	2B002195	33.11	8	859792	33.25	24
2A000378	34.41	24	2B002261	33.48	17	860138	33.48	7
2A0003794	34.40	1	2B002318	34.10	21	860651	34.09	19
2A000382	34.10	22	2B002319	34.10	21	862560	34.44	22
2A000383	34.41	1	2B002320	34.10	21	873905	34.40	8
2A000384	34.41	5	2B002424	34.10	21	873928	34.40	6
2A000385	34.41	6	2B002425	34.10	21	873928	34.42	8
2A000415	34.44	20	2B002426	34.10	21	874567	34.37	14
2A000416	34.44	20	2B002549	33.14	12	880260	34.47	4
2A000438	34.42	17	2D000005	33.30	11	883051	33.04	1
2A000467	34.44	3	2D000006	33.32	10	883052	33.04	2
2B000225	33.25	22	2D000021	33.17	10	883127	33.22	6
2B000229	33.27	1	2D000022	33.17	9	883161	33.31	11
2B000276	33.36	22	2D000024	34.45	1	883266	33.13	2
2B000348	33.05	13	2D000043	34.45	2	883293	33.23	15
2B000349	33.05	12	2D000102	33.36	1	883294	33.23	4
2B000377	33.25	23	2D000108	33.30	1	883295	33.14	5
2B000508	33.26	14	2D000108	33.31	1	883297	33.23	13
2B000525	33.27	6	2D000202	33.31	27	883298	33.23	14
2B000840	33.14	16	2D000206	33.30	22	883349	33.25	8
2B000878	33.14	9	2D000207	33.30	21	883350	33.25	7



Code	No. table	Pos.	Code	No. table	Pos.	Code	No. table	Pos.
883417	33.28	18	887899	33.08	22	AP8102520	33.22	27
883470	33.16	6	887900	33.08	23	AP8102524	33.03	4
883476	33.32	3	887901	33.08	24	AP8102678	33.48	1
883477	33.32	1	887902	33.08	25	AP8102688	33.48	2
883480	33.16	9	887903	33.08	26	AP8102766	33.22	23
883502	33.12	5	887904	33.08	27	AP8102913	33.14	3
883673	33.19	17	887905	33.08	28	AP8104525	33.22	5
883688	33.24	10	887908	33.26	26	AP8104924	33.22	4
883704	33.23	25	887910	33.26	1	AP8113003	33.19	15
883802	33.18	10	887911	33.26	24	AP8113003	33.36	7
883826	34.34	18	887912	33.08	30	AP8113004	33.19	14
884029	34.47	11	887913	33.08	31	AP8113004	33.36	6
884035	33.11	1	887914	33.08	32	AP8113241	33.26	22
884038	34.40	24	887915	33.08	33	AP8113288	33.26	16
884039	34.39	7	887916	33.08	34	AP8113553	33.26	23
884310	34.47	15	887917	33.08	36	AP8120030	33.36	10
884311	34.47	13	887930	33.33	2	AP8120246	34.09	10
886141	33.33	6	887931	33.33	3	AP8120311	33.01	13
886340	33.33	1	88793900A1	33.14	1	AP8120416	33.30	18
88635200XN2	33.13	1	887944	33.12	1	AP8120416	33.31	19
886365	34.34	10	887948	33.30	13	AP8120416	33.48	11
886629	34.40	2	887952	33.26	27	AP8120446	33.48	9
886670	34.37	11	890760	33.22	16	AP8120455	33.22	9
887002	34.36	10	890979	33.28	16	AP8120557	33.12	11
887003	34.35	2	894505	33.25	13	AP8120573	33.04	9
887004	34.34	13	894704	33.31	26	AP8120573	33.05	9
887093	34.39	9	895709	33.36	18	AP8120615	33.22	10
887195	33.17	1	895839	33.33	8	AP8120772	33.22	20
8872690001	34.37	10	896110	33.23	21	AP8120870	33.23	24
8872690002	34.37	10	897478	34.45	3	AP8120876	33.22	8
8872690003	34.37	10	898164	33.11	3	AP8120912	33.06	2
8872724	34.36	1	898283	33.06	4	AP8120912	33.26	2
8872754	34.36	2	959559	33.36	16	AP8121014	33.03	3
887279	34.36	24	967356	33.03	6	AP8121032	33.15	10
887443	33.33	9	969973	34.36	26	AP8121032	33.15	13
887448	33.25	12	974162	34.43	10	AP8121032	33.17	7
887481	33.30	12	974165	34.43	13	AP8121072	33.23	22
887483	34.36	25	976604	34.34	12	AP8121133	33.05	6
887523	34.36	9	976608	34.10	1	AP8121267	33.48	10
887528	34.38	27	976685	34.34	16	AP8121307	33.07	4
887762	33.24	11	976898	34.36	20	AP8121420	33.14	7
887787	33.21	5	976941	34.09	1	AP8121420	33.32	8
887815	33.22	13	977527	33.14	6	AP8121607	33.03	2
8878421	33.22	1	977527	33.32	4	AP8121673	33.12	12
887843	33.22	2	978311	33.28	2	AP8124718	33.16	7
887844	33.22	11	978385	33.23	12	AP8124936	33.30	2
887845	33.22	12	978415	33.14	8	AP8127856	33.03	8
887852	33.18	4	978415	33.32	9	AP8134378	33.23	18
887853	33.18	5	978570	33.18	10	AP8134378	33.28	23
887875	33.24	19	978938	34.47	19	AP8134451	33.05	5
887878	33.08	1	978939	34.47	20	AP8144007	33.26	4
887879	33.08	2	978940	33.14	10	AP8144071	33.23	16
887880	33.08	3	978943	33.14	17	AP8144071	34.36	23
887882	33.08	5	978946	33.15	1	AP8144081	33.07	5
887883	33.08	6	97894600XN2	33.15	1	AP8144146	33.07	3
887884	33.08	7	978947	33.15	2	AP8144553	33.22	7
887885	33.08	8	978951	33.01	12	AP8144729	33.22	17
887886	33.08	9	978952	33.01	16	AP8145034	33.04	3
887888	33.08	11	978960	33.18	1	AP8145035	33.04	10
887889	33.08	12	978969	33.26	3	AP8149034	33.16	4
887890	33.08	13	981149	33.28	12	AP8150015	33.36	12
887891	33.08	14	AP8101594	33.26	20	AP8150045	34.40	11
887893	33.08	16	AP8101595	33.12	10	AP8150178	33.24	17
887894	33.08	17	AP8101861	33.05	7	AP8150248	33.16	2
887895	33.08	18	AP8102159	33.48	6	AP8150349	33.32	6
887896	33.08	19	AP8102375	33.14	15	AP8150377	33.28	13
887898	33.08	21	AP8102375	33.31	14	AP8150436	33.02	12





Code	No. table	Pos.	Code	No. table	Pos.	Code	No. table	Pos.
AP8150451	33.36	19	B063132	33.04	13	GU05234230	34.44	9
AP8150509	33.22	19	B063135	33.18	6	GU05234631	34.44	13
AP8152043	33.19	4	B063144	33.24	3	GU05235531	34.44	14
AP8152220	33.02	11	B063233	33.31	5	GU05238231	34.44	6
AP8152220	34.39	18	B063269	34.42	3	GU05238431	34.44	7
AP8152268	33.16	3	B063287	33.01	4	GU05239330	34.44	1
AP8152273	33.21	4	B063431	33.14	11	GU05659230	33.19	10
AP8152277	33.04	7	B063443	33.26	28	GU05730730	34.46	1
AP8152277	33.05	8	B063465	34.37	15	GU05781630	33.16	1
AP8152278	33.11	2	B063466	34.37	16	GU05900130	33.33	11
AP8152278	33.15	3	B063702	33.24	1	GU06740400	33.28	17
AP8152279	33.15	9	B063704	33.25	1	GU10528900	34.34	15
AP8152279	33.36	11	B063749	33.11	1	GU12003702	34.34	20
AP8152281	34.45	9	B063752	33.21	1	GU12022600	34.10	6
AP8152282	33.31	7	B063800	33.28	4	GU12022600	34.40	10
AP8152288	33.27	4	B063800	33.29	4	GU12154200	34.34	23
AP8152298	33.26	18	B063801	33.28	5	GU13021900	34.34	26
AP8152298	34.47	6	B063801	33.29	5	GU13021900	34.36	12
AP8152299	33.15	14	B063956	34.44	4	GU14085900	34.41	17
AP8152299	33.30	5	B063975	33.18	15	GU14086100	34.41	7
AP8152299	33.48	5	B064112	34.44	8	GU14090400	34.41	2
AP8152306	33.16	5	B064113	34.44	11	GU14217901	34.40	25
AP8152329	33.15	11	CM0074C9	33.30	10	GU14609650	33.30	20
AP8152329	33.22	18	CM0074D0	33.30	9	GU14609650	33.31	19
AP8152329	33.22	24	CM013202	33.31	25	GU14615901	33.05	15
AP8152339	33.14	14	CM225705	33.31	15	GU14615901	33.13	5
AP8152385	33.19	16	CM225710	33.31	16	GU14615901	34.09	20
AP8157100	33.33	21	CM225715	33.31	17	GU14615901	34.37	5
AP8161054	33.22	15	CM225720	33.31	20	GU14616150	33.24	15
AP8181140	33.31	24	CM225730	33.31	18	GU14616150	33.25	10
AP8201358	33.22	3	CM228306	34.47	1	GU18144350	34.39	16
AP8201358	33.48	13	CM228401	33.04	8	GU18161150	34.39	21
AP8201358	34.36	27	CM228401	33.05	4	GU18257551	33.26	8
AP8213028	33.18	23	CM258303	33.22	22	GU19002020	34.35	5
AP8213057	33.26	15	GU00823923140	33.03	7	GU19002020	34.42	2
AP8213388	33.18	18	GU00823923140	33.48	12	GU19003800	34.34	8
AP8220283	33.31	22	GU00823931055	33.28	19	GU19015020	34.34	5
AP8220460	33.07	6	GU00823944050	33.12	13	GU19017000	33.02	4
AP8221023	33.22	25	GU00823950050	33.26	21	GU19018920	34.39	10
AP8221023	33.36	9	GU01528930	34.10	9	GU19021360	34.36	18
AP8221114	33.48	16	GU01528930	34.42	18	GU19021920	34.36	7
AP8221197	33.03	5	GU01609630	33.18	14	GU19025280	33.23	5
AP8221277	33.04	6	GU01659130	33.19	11	GU19025460	33.23	6
AP8224462	33.31	21	GU01659131	33.19	12	GU19027500	34.38	15
AP8257609	33.33	20	GU01665410	33.26	25	GU19030500	34.38	7
AP8257794	33.33	18	GU03013800	33.06	7	GU19032080	34.38	10
B013037	34.41	10	GU03013800	33.23	8	GU19032980	34.36	17
B013608	34.40	5	GU03013800	34.47	10	GU19032980	34.38	14
B013608	34.42	9	GU03067730	34.10	19	GU19034000	34.38	8
B015040	34.43	9	GU03101600	33.12	7	GU19037820	34.36	8
B015598	34.40	15	GU03101900	33.12	3	GU19045861	34.38	25
B016796	34.47	5	GU03102200	33.12	6	GU19055700	34.38	23
B017406	34.40	12	GU03102400	33.12	2	GU19058021	34.38	19
B017470	34.43	3	GU03103200	33.12	8	GU19058220	34.38	20
B018020	34.40	13	GU03103500	33.12	4	GU19062261	34.37	4
B018448	34.40	16	GU03163330	33.31	3	GU19065400	34.37	2
B043850	33.31	23	GU03609600	33.18	14	GU19067700	34.37	18
B045974	33.33	14	GU03612040	33.24	16	GU19083462	34.40	22
B063016	34.37	13	GU03631250	33.24	4	GU19146422	34.39	1
B063022	33.23	3	GU03631250	33.25	9	GU19152200	34.39	11
B063025	34.42	15	GU03658201	33.36	20	GU19206501	34.10	10
B063025	34.44	21	GU03658330	33.36	17	GU19213760	34.41	15
B063049	34.47	2	GU03740930	33.29	2	GU19327601	34.09	5
B063077	33.24	5	GU03749845	33.19	5	GU19328801	34.09	3
B063078	33.25	11	GU03922280	34.09	23	GU19350700	34.10	22
B063099	34.36	19	GU05107430	33.21	3	GU19351100	34.10	4
B063111	34.36	6	GU05217630	34.41	18	GU19351900	34.10	2

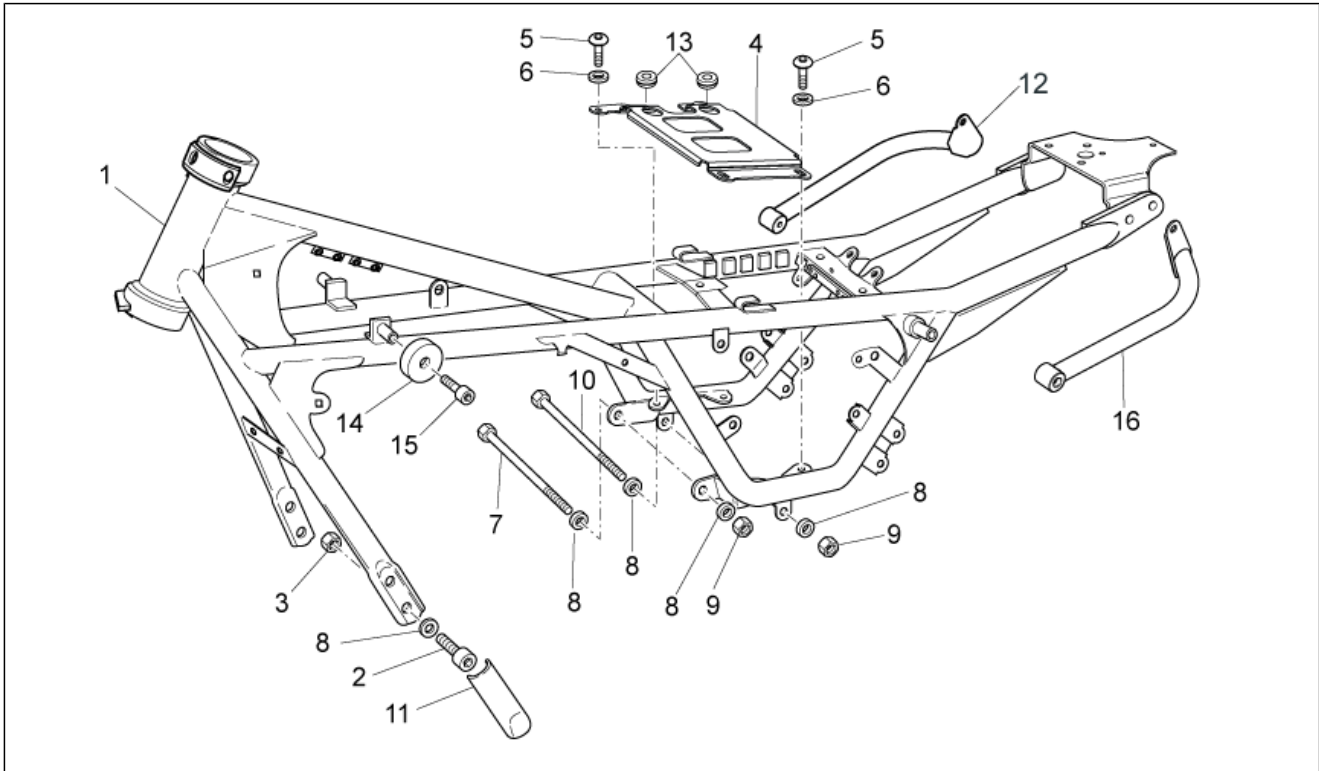


Code	No. table	Pos.	Code	No. table	Pos.	Code	No. table	Pos.
GU19352300	34.10	23	GU30602500	33.18	22	GU32753410	33.28	3
GU19353500	34.10	24	GU31003766	34.10	8	GU32753410	33.29	8
GU19355200	34.10	35	GU31003766	34.34	14	GU32753711	33.28	14
GU19355202	34.10	36	GU31016050	34.39	20	GU32753711	33.29	6
GU19355300	34.10	33	GU31037015	34.38	13	GU32781910	33.16	10
GU19355301	34.10	33	GU31038015	34.38	5	GU32782510	33.32	2
GU19355302	34.10	33	GU31045015	34.38	26	GU32999010	34.34	25
GU19355303	34.10	33	GU31112965	33.22	26	GU32999510	34.34	24
GU19355304	34.10	33	GU31121880	33.23	9	GU35214300	34.09	13
GU19355305	34.10	33	GU31150950	34.39	26	GU49609601	33.30	19
GU19355306	34.10	33	GU31159050	34.39	15	GU49609601	33.31	19
GU19355307	34.10	33	GU31327783	34.09	2	GU61027200	34.37	12
GU19355308	34.10	33	GU31439565	33.13	4	GU61036801	34.36	3
GU19355309	34.10	33	GU31513480	33.08	20	GU61038100	34.38	6
GU19355320	34.10	27	GU31544181	33.27	3	GU61054900	34.38	18
GU19355321	34.10	27	GU31544181	34.09	15	GU61270300	34.10	26
GU19355322	34.10	27	GU31547882	34.09	14	GU61270300	34.34	6
GU19355323	34.10	27	GU31614183	33.24	9	GU61270300	34.36	21
GU19355324	34.10	27	GU31615283	33.24	6	GU66103415	33.01	14
GU19355325	34.10	27	GU31616384	33.24	12	GU90271014	34.44	2
GU19355326	34.10	27	GU31634281	33.27	2	GU90271018	34.38	12
GU19355327	34.10	27	GU31634481	33.25	15	GU90271022	34.44	15
GU19355328	34.10	27	GU31659181	33.27	9	GU90272023	34.09	4
GU19355329	34.10	27	GU31659281	33.27	8	GU90272075	34.40	21
GU19355400	34.10	21	GU31740383	33.28	11	GU90353009	34.36	4
GU19355402	34.10	21	GU32032310	34.38	11	GU90353014	34.44	10
GU19355404	34.10	21	GU32053410	34.38	16	GU90353029	34.38	24
GU19355406	34.10	21	GU32054510	34.38	17	GU90353030	34.10	17
GU19355408	34.10	21	GU32067910	34.40	19	GU90401424	34.42	14
GU19355410	34.10	21	GU32080310	34.40	23	GU90402538	33.25	6
GU19355411	34.10	21	GU32084410	34.40	20	GU90402642	33.24	8
GU19355412	34.10	21	GU32115010	34.47	3	GU90403251	34.10	38
GU19355413	34.10	21	GU32115011	34.47	8	GU90403549	34.10	3
GU19356700	34.10	30	GU32115510	34.47	7	GU90407591	34.10	15
GU19356760	34.41	16	GU32121010	33.23	7	GU90412541	34.42	13
GU19356801	34.10	28	GU32350410	34.10	13	GU90706076	34.34	9
GU19357660	34.10	25	GU32351410	34.10	16	GU90706111	34.39	22
GU19547000	34.09	12	GU32354610	34.10	18	GU90706141	33.30	17
GU20147710	34.39	17	GU32434460	33.13	1	GU90706170	34.41	19
GU20147810	34.39	3	GU32439260	33.48	3	GU90706188	34.10	29
GU20148410	34.39	4	GU32441210	33.04	5	GU90706203	34.10	7
GU20148610	34.39	5	GU32441210	33.05	3	GU90706203	34.40	26
GU20258221	33.06	9	GU32442310	33.05	1	GU90706235	34.41	14
GU20352421	34.10	31	GU32442710	33.05	10	GU90706281	34.34	19
GU20355121	34.10	34	GU32443210	33.04	4	GU90706444	34.34	17
GU23217800	34.38	3	GU32443210	33.05	2	GU90706584	34.10	37
GU23328081	34.09	7	GU32443211	33.04	11	GU91113826	33.23	23
GU23548080	34.09	8	GU32443211	33.05	11	GU91120806	33.15	6
GU23548180	34.09	9	GU32457810	33.01	11	GU91181003	33.18	11
GU23943410	33.08	35	GU32461610	33.14	2	GU91181003	33.19	3
GU27037521	34.38	4	GU32506360	33.28	1	GU91551010	33.22	21
GU27061585	34.37	3	GU32517710	33.31	8	GU91551086	33.14	13
GU27061885	34.37	17	GU32555210	33.11	4	GU92201070	34.10	14
GU27062060	34.37	6	GU32555211	33.11	5	GU92201226	34.40	4
GU27065660	34.37	7	GU32602860	33.18	9	GU92201226	34.42	7
GU27066460	34.37	9	GU32603010	33.18	16	GU92201822	34.40	7
GU27066560	34.37	8	GU32603310	33.18	7	GU92201822	34.42	12
GU27152885	34.34	22	GU32613160	33.24	2	GU92204217	33.25	5
GU27153085	34.39	14	GU32615660	33.24	14	GU92204218	33.25	3
GU27633910	33.25	4	GU32632510	33.25	17	GU92204221	33.24	7
GU28157950	33.48	8	GU32633360	33.25	14	GU92249220	34.10	32
GU28612033	33.25	18	GU32633560	34.10	11	GU92249225	33.07	2
GU29729461	33.31	2	GU32634160	33.27	5	GU92249227	34.10	20
GU29759150	33.18	17	GU32636160	33.25	21	GU92252210	34.39	2
GU30577800	33.29	13	GU32692260	33.25	2	GU92252235	34.10	5
GU30577800	34.47	17	GU32735510	33.32	5	GU92296723	34.39	6
GU30601060	33.18	13	GU32747910	33.31	9	GU92602406	34.38	9



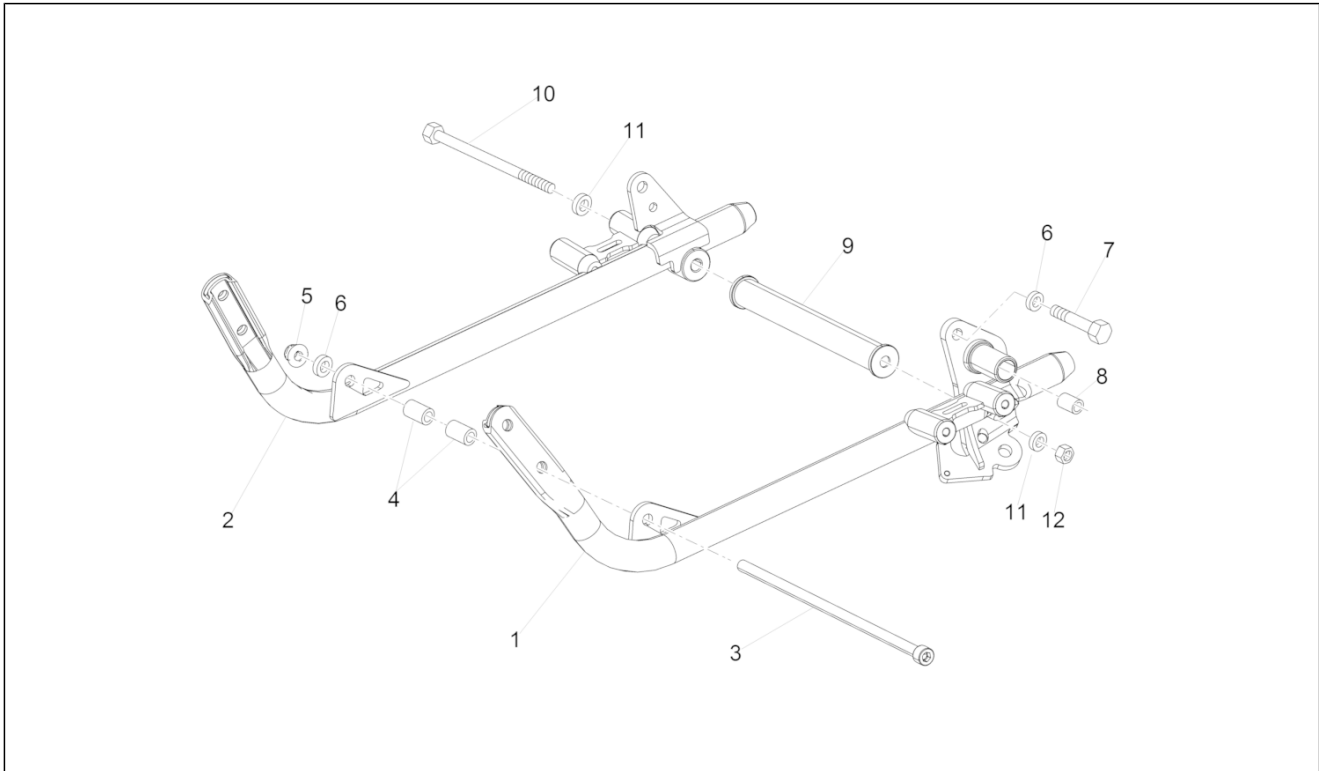
Code	No. table	Pos.	Code	No. table	Pos.
GU92602510	34.39	19	GU95129180	34.34	27
GU92603010	34.36	11	GU95129180	34.36	13
GU92606206	33.17	6	GU95129181	33.11	6
GU92606208	34.34	7	GU95129260	33.06	3
GU92606210	33.01	9	GU95187006	34.39	13
GU92606210	33.02	5	GU95500221	33.26	10
GU92606210	33.11	7	GU95500222	34.41	22
GU92606210	34.09	18	GU96451430	34.34	3
GU92606316	33.25	16	GU96451560	34.34	2
GU92606508	34.41	21	GU96506042	34.36	5
GU92609007	33.26	12	GU96508055	34.10	12
GU92630108	33.15	8	GU96508055	34.34	4
GU92630204	33.16	8	GU96510181	34.36	15
GU92630206	33.26	6	GU96510214	34.36	14
GU92630207	33.24	18	GU97202325	33.18	12
GU92630510	33.01	3	GU98054422	34.38	28
GU92630707	33.06	5	GU98082565	33.02	7
GU92640508	33.23	19	GU98084314	34.39	12
GU92660021	33.26	7	GU98110199	33.01	7
GU92787006	33.28	6	GU98210612	33.23	27
GU92787006	33.29	11	GU98230510	33.18	19
GU93180105	34.09	21	GU98350215	33.29	12
GU93180111	33.24	13	GU98350416	33.01	5
GU93180245	34.36	22	GU98370515	34.47	18
GU93222023	33.17	4	GU98370609	33.17	2
GU93231605	33.29	14	GU98370625	33.14	4
GU93231605	34.47	16	GU98370625	33.26	17
GU93301175	33.23	26	GU98370655	33.28	7
GU93301313	33.48	15	GU98370655	33.29	9
GU93450105	33.28	9	GU98370845	33.13	3
GU93450127	33.28	15	GU98612216	33.25	19
GU93450127	33.29	7	GU98622322	34.47	9
GU93450224	33.29	3	GU98632322	33.06	6
GU93450232	33.28	10	GU98680440	34.40	27
GU94321079	34.39	24	GU98680545	34.09	16
GU94321099	34.09	6	GU98682212	33.30	15
GU94321105	34.41	23	GU98682212	33.31	12
GU95005306	33.17	3	GU98682212	34.45	5
GU95005308	33.26	9	GU98682312	33.25	20
GU95005308	34.09	22	GU98682325	34.34	11
GU95005310	33.15	7	GU98682325	34.35	3
GU95005310	33.26	5	GU98682330	34.35	4
GU95005311	33.48	4	GU98682414	33.01	15
GU95008205	33.30	16	GU98682416	33.04	12
GU95008206	34.39	23	GU98682416	33.05	14
GU95008208	33.01	6	GU98682416	33.32	7
GU95008208	34.46	3	GU98682430	33.12	9
GU95008210	33.01	8	GU98682435	34.46	2
GU95008210	33.02	6	GU98682530	33.01	2
GU95008210	33.31	4	GU98690335	33.18	8
GU95008210	34.09	17	GU98690435	33.15	5
GU95008305	33.18	20	GU98690440	33.23	17
GU95008306	34.40	18	GU98692325	34.36	16
GU95020105	33.03	10	GU98692414	33.17	11
GU95021104	33.19	2	GU98692420	33.28	22
GU95021105	33.18	21	GU98880540	33.28	21
GU95021206	33.17	5	GU98882316	34.38	21
GU95021206	33.28	8			
GU95021206	33.29	10			
GU95100059	33.31	13			
GU95100116	34.47	12			
GU95100125	34.45	8			
GU95100244	34.38	29			
GU95100309	34.39	27			
GU95100602	34.39	25			
GU95100709	34.34	21			
GU95129115	34.38	22			

<b>Group</b>	FRAME
<b>Code</b>	33.01
<b>Description</b>	Frame I
<b>Service</b>	1



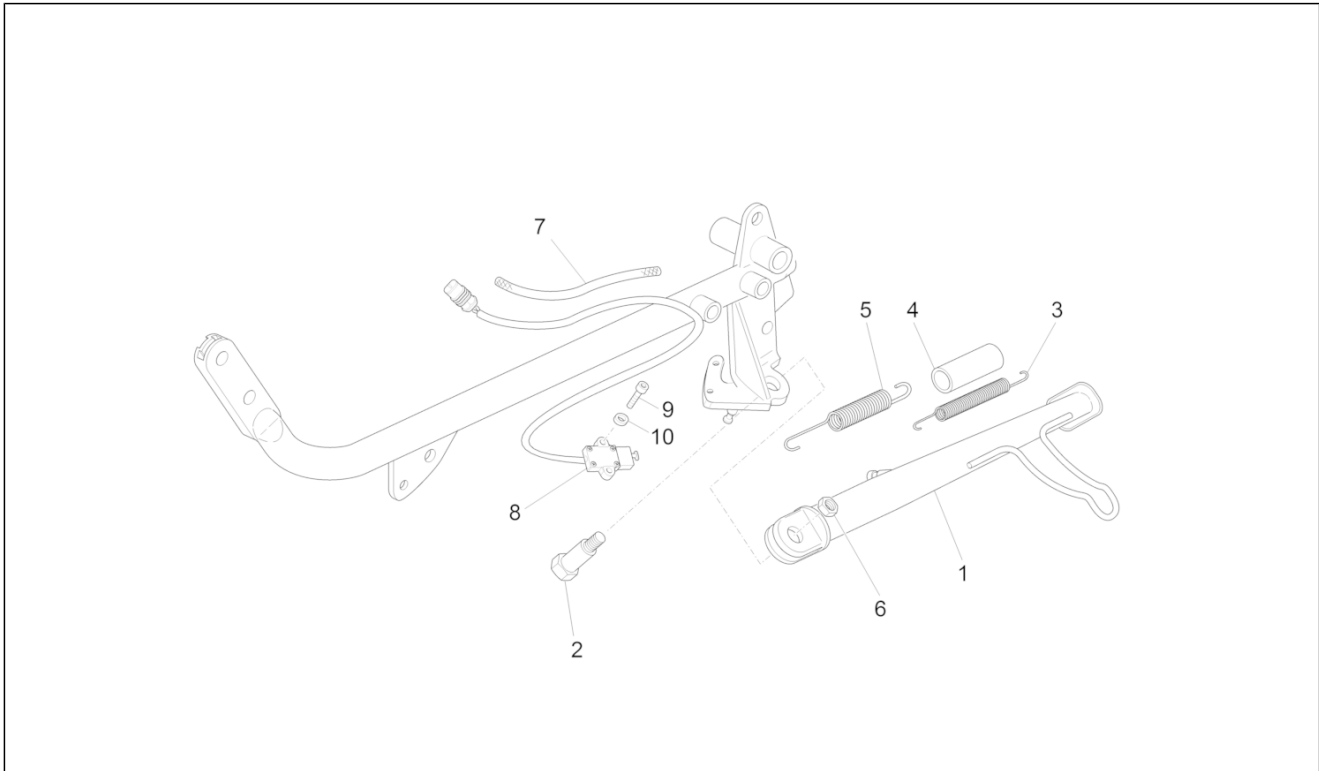
Pos.	Code	Description	Qty	Variants
1	2B000975	Frame, black	1	
2	GU98682530	Hex socket screw M10x30	4	
3	GU92630510	Nut M10x1,5	4	
4	B063287	Frame union plate	1	
5	GU98350416	Hex socket screw M8x16	4	
6	GU95008208	Washer 8,4X15X1,5	4	
7	GU98110199	Pin M10x205	1	
8	GU95008210	Washer 10,2X18X2	11	
9	GU92606210	Nut M10x1,5	3	
10	2B001035	Pin 234X10	2	
11	GU32457810	Guard	2	
12	978951	RH handle	1	
13	AP8120311	Rubber spacer	2	
14	GU66103415	Rubber spacer	2	
15	GU98682414	Hex socket screw M8x16	2	
16	978952	left handle	1	

<b>Group</b>	FRAME
<b>Code</b>	33.02
<b>Description</b>	Frame II
<b>Service</b>	1



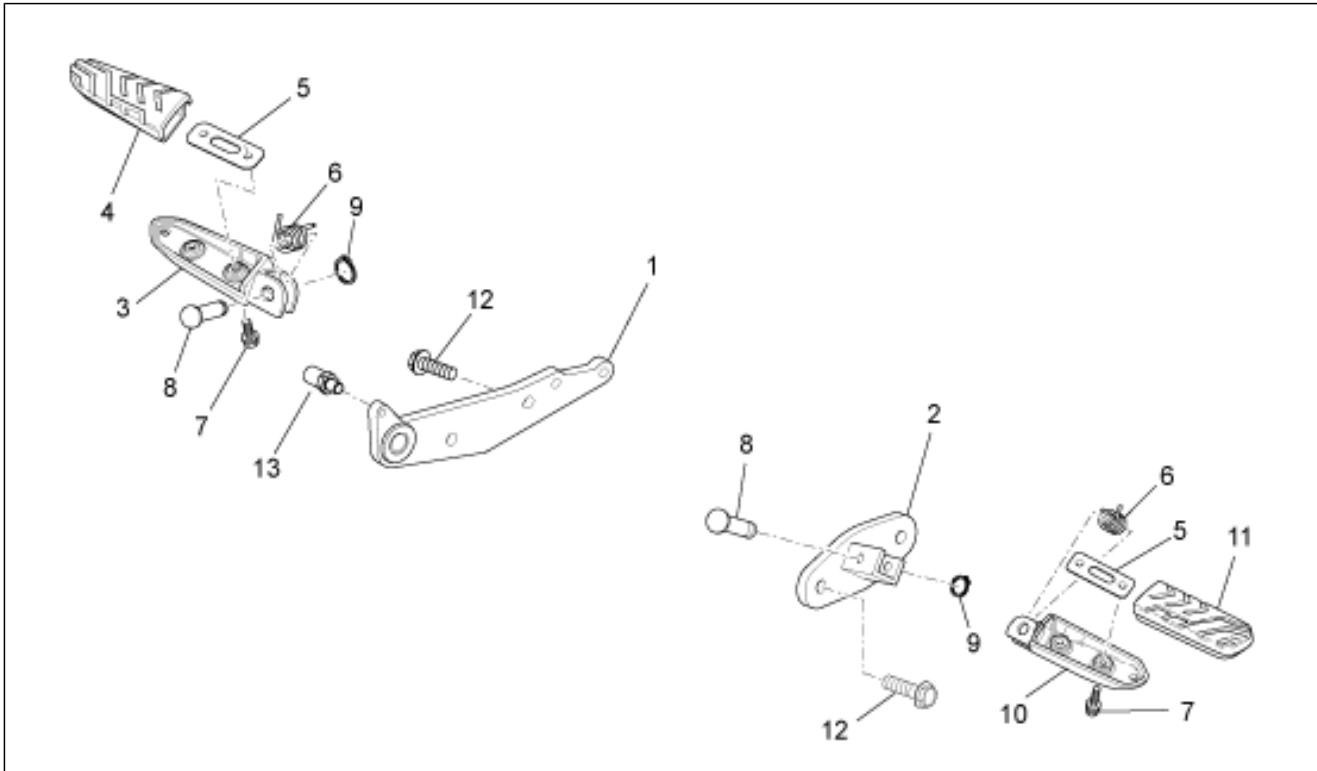
Pos.	Code	Description	Qty	Variants
1	2B000980	LH cradle arm	1	
2	2B000988	RH cradle arm	1	
3	2B001612	Pin M10X253	1	
4	GU19017000	Bushing	2	
5	GU92606210	Nut M10x1,5	3	
6	GU95008210	Washer 10,2X18X2	3	
7	GU98082565	screw M10x65	2	
8	2B001008	Bush	1	
9	2B001004	Crosspiece	1	
10	2B001230	Pin 278X10	1	
11	AP8152220	Washer	2	
12	AP8150436	Low self-locking nut	1	

<b>Group</b>	FRAME
<b>Code</b>	33.03
<b>Description</b>	Lateral stand
<b>Service</b>	1



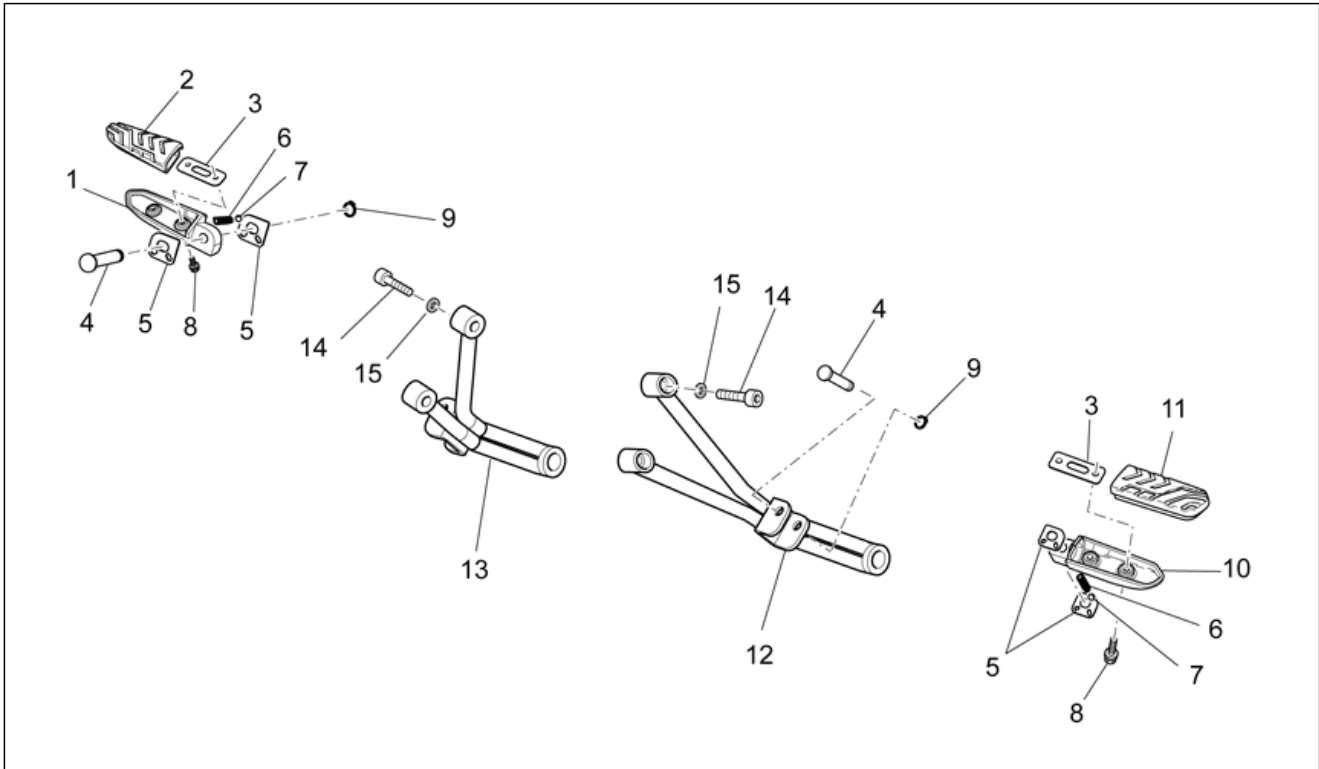
Pos.	Code	Description	Qty	Variants
1	2B001036	Lateral stand	1	
2	AP8121607	Central stand fixing screw	1	
3	AP8121014	Coil pull spring	1	
4	AP8102524	Stand spring protection	1	
5	AP8221197	Lateral stand spring	1	
6	967356	Flanged nut M10x1,25	1	
7	GU00823923140	Thermal sheath	1	
8	AP8127856	Lateral stand switch	1	
9	1C001499	TBEI TORX screw M5x16 INOX	2	
10	GU95020105	Washer 5,3x8,9x2,4	2	

<b>Group</b>	FRAME
<b>Code</b>	33.04
<b>Description</b>	Front footrests
<b>Service</b>	1



Pos.	Code	Description	Qty	Variants
1	883051	RH foot rest support	1	
2	883052	LH footrest support	1	
3	AP8145034	RH Foot rests	1	
4	GU32443210	Support rubber part	1	
5	GU32441210	Plate	2	
6	AP8221277	Footrest return spring	2	
7	AP8152277	Screw w/ flange M6x12	4	
8	CM228401	Footrest pin	2	
9	AP8120573	Stop ring	2	
10	AP8145035	LH Foot rests	1	
11	GU32443211	Support rubber part	1	
12	GU98682416	Hex socket screw M8x16	4	
13	B063132	Limit stop	1	

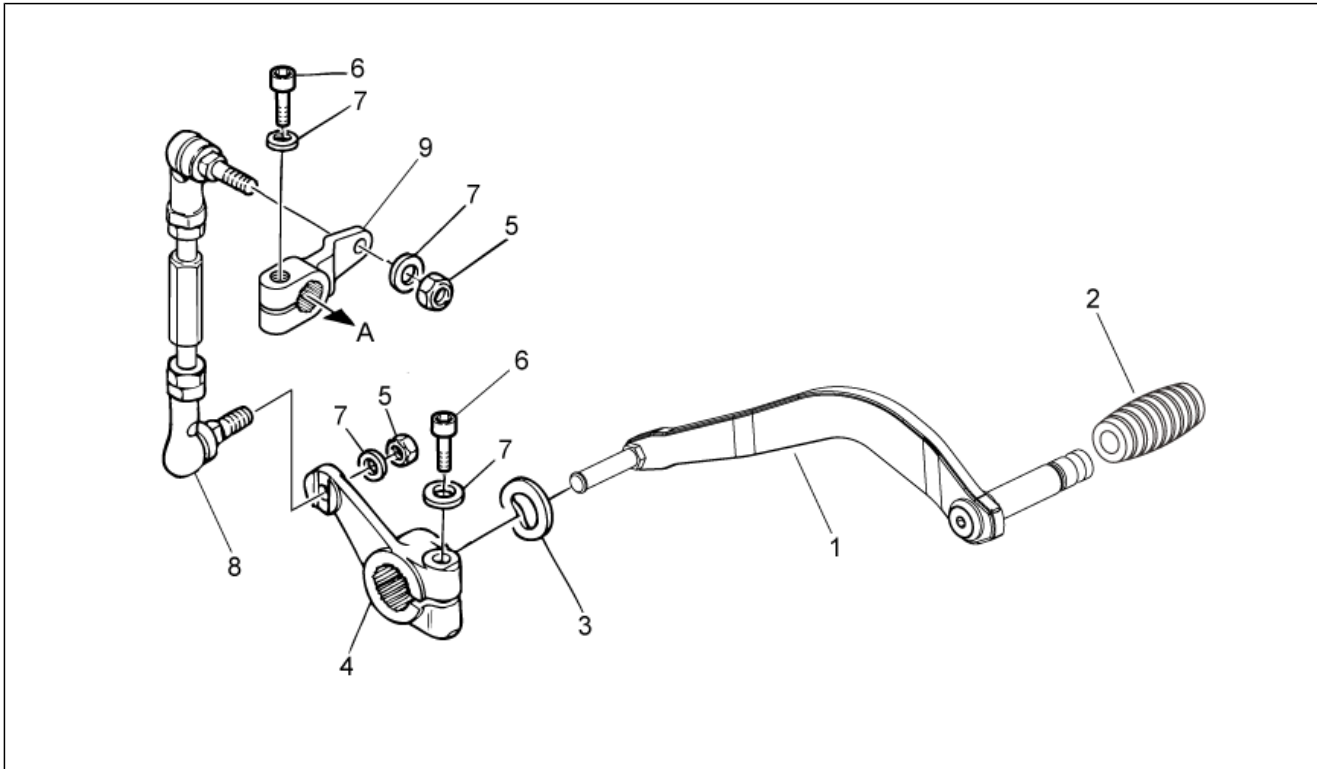
<b>Group</b>	FRAME
<b>Code</b>	33.05
<b>Description</b>	Rear footrests
<b>Service</b>	1



Pos.	Code	Description	Qty	Variants
1	GU32442310	Rear footrest, RH	1	
2	GU32443210	Support rubber part	1	
3	GU32441210	Plate	2	
4	CM228401	Footrest pin	2	
5	AP8134451	Footrest plate	4	
6	AP8121133	Coil compress. spring	2	
7	AP8101861	Ball D6,35	2	
8	AP8152277	Screw w/ flange M6x12	4	
9	AP8120573	Stop ring	2	
10	GU32442710	Rear footrest, LH	1	
11	GU32443211	Support rubber part	1	
12	2B000349	LH passenger footpeg support with I.P.	1	
13	2B000348	RH passenger footpeg support with I.P.	1	
14	GU98682416	Hex socket screw M8x16	4	
15	GU14615901	Washer 8,4X13X0,8	4	

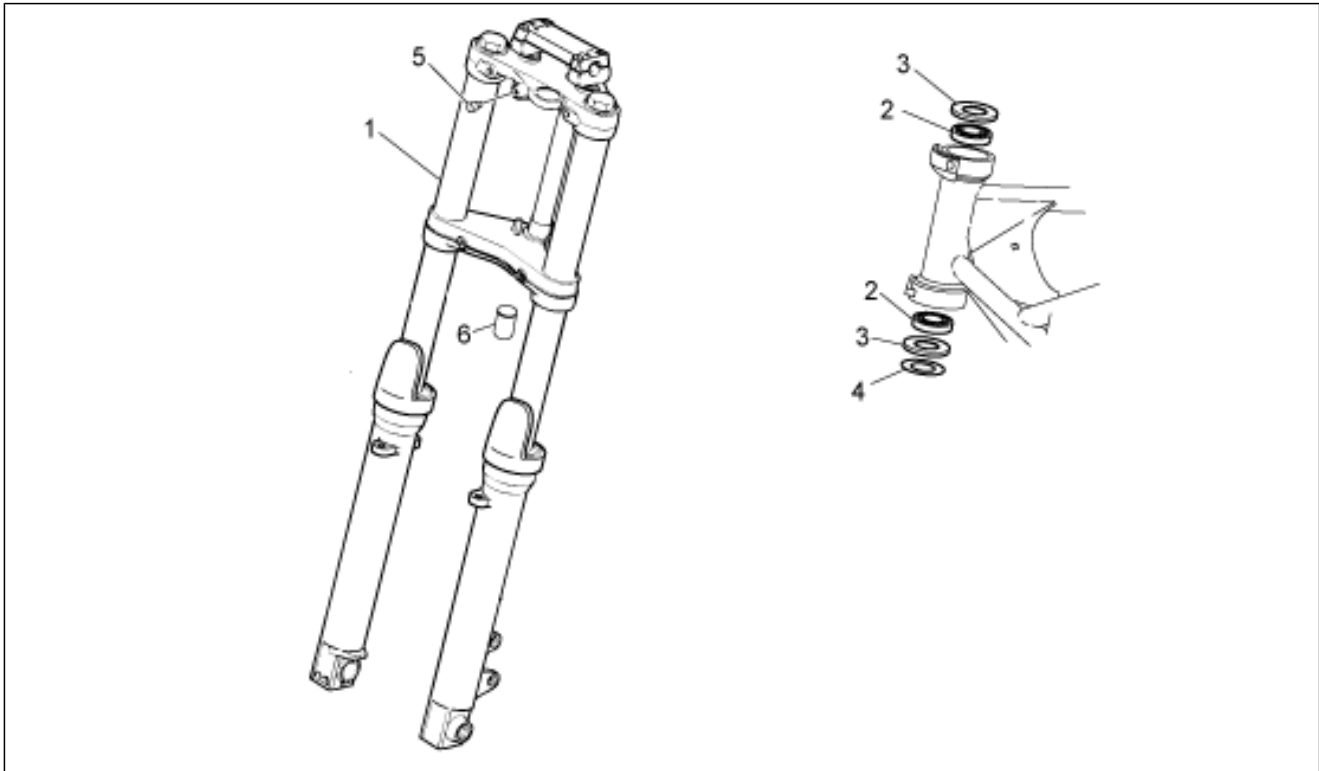


<b>Group</b>	FRAME
<b>Code</b>	33.06
<b>Description</b>	Gear lever
<b>Service</b>	1



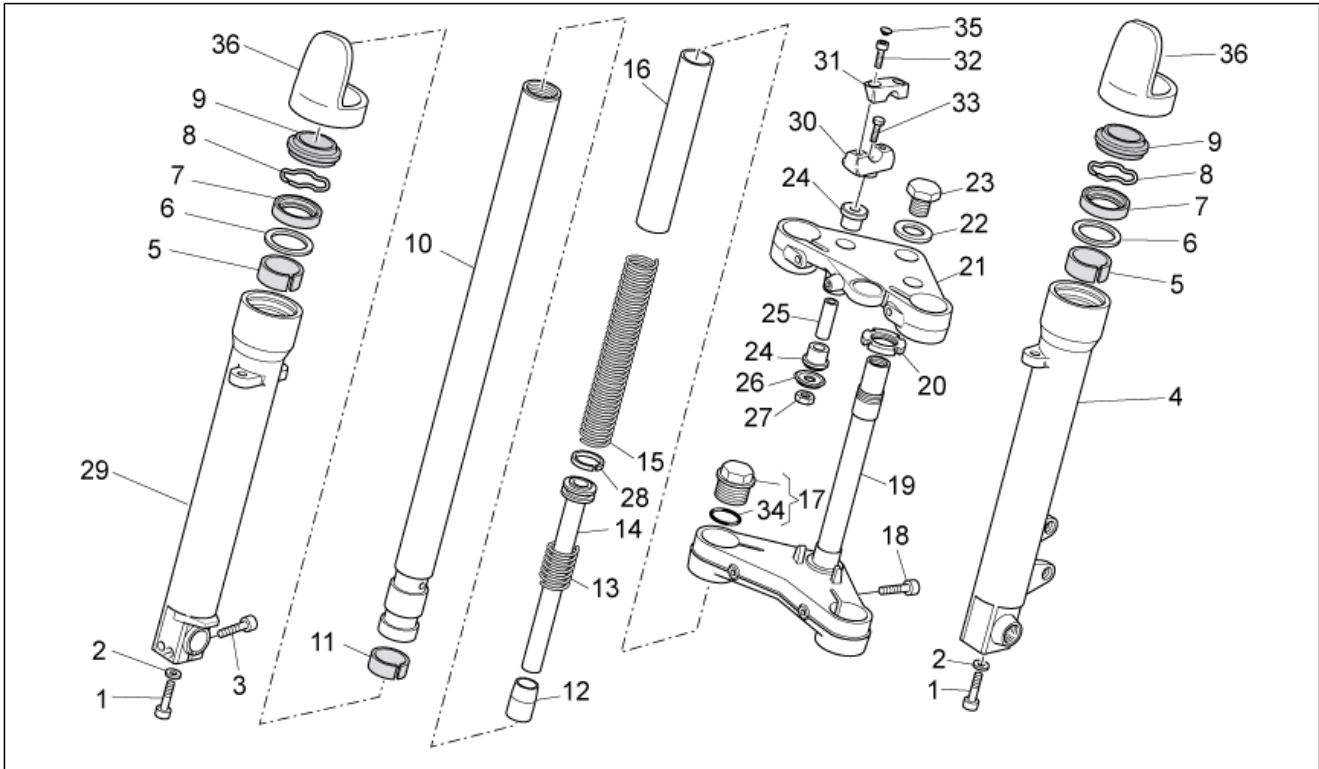
Pos.	Code	Description	Qty	Variants
1	2B001096	Gear lever	1	
2	AP8120912	Lever rubber	1	
3	GU95129260	Spring washer	2	
4	898283	Gear change lever	1	
5	GU92630707	Nut	2	
6	GU98632322	screw	2	
7	GU03013800	Washer 6,4x12	3	
8	2B001941	Gear control tie rod	1	
9	GU20258221	Shift lever	1	

<b>Group</b>	FRAME
<b>Code</b>	33.07
<b>Description</b>	Front fork I
<b>Service</b>	1



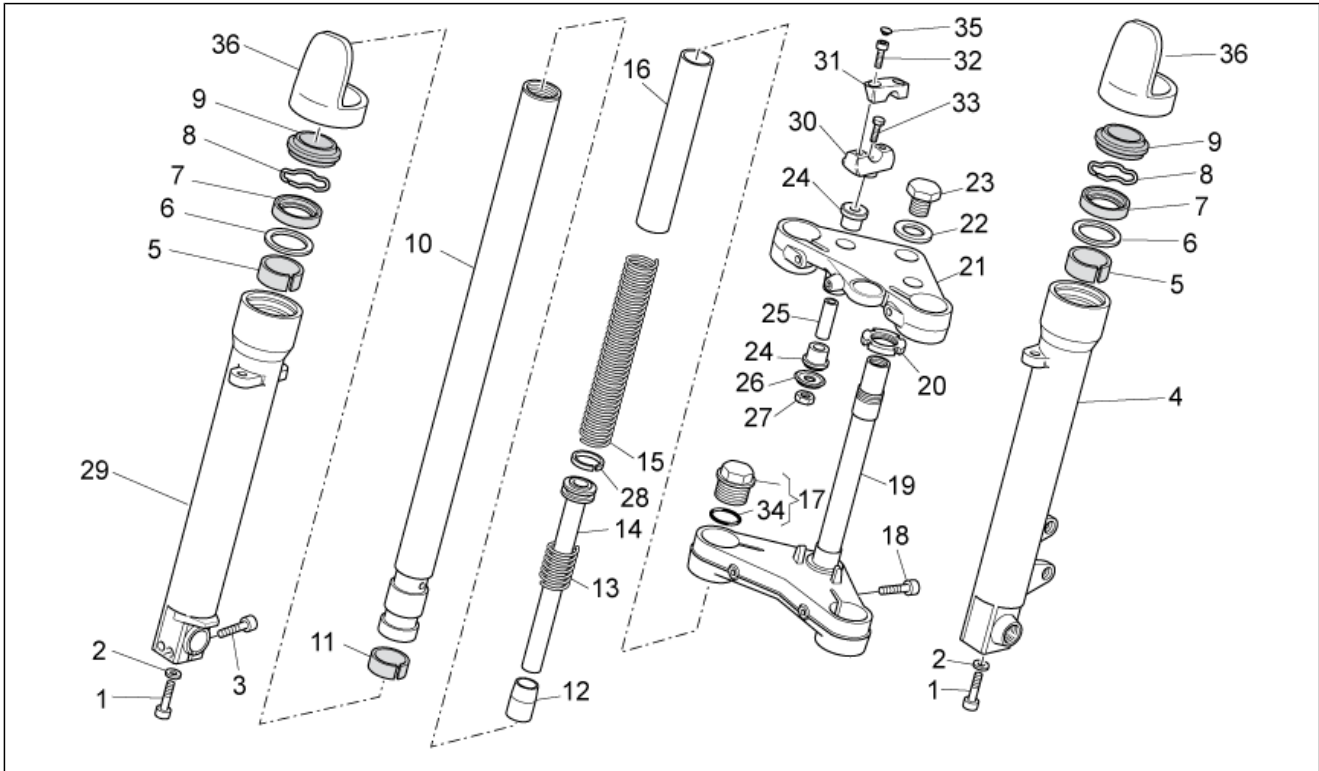
Pos.	Code	Description	Qty	Variants
1	2B001427	Front fork	1	
2	GU92249225	Tap.roller bearing	2	
3	AP8144146	Gasket ring	1	
4	AP8121307	Washer	1	
5	AP8144081	Rubber spacer	1	
6	AP8220460	Rubber cup	1	

<b>Group</b>	FRAME
<b>Code</b>	33.08
<b>Description</b>	Fron fork II
<b>Service</b>	1



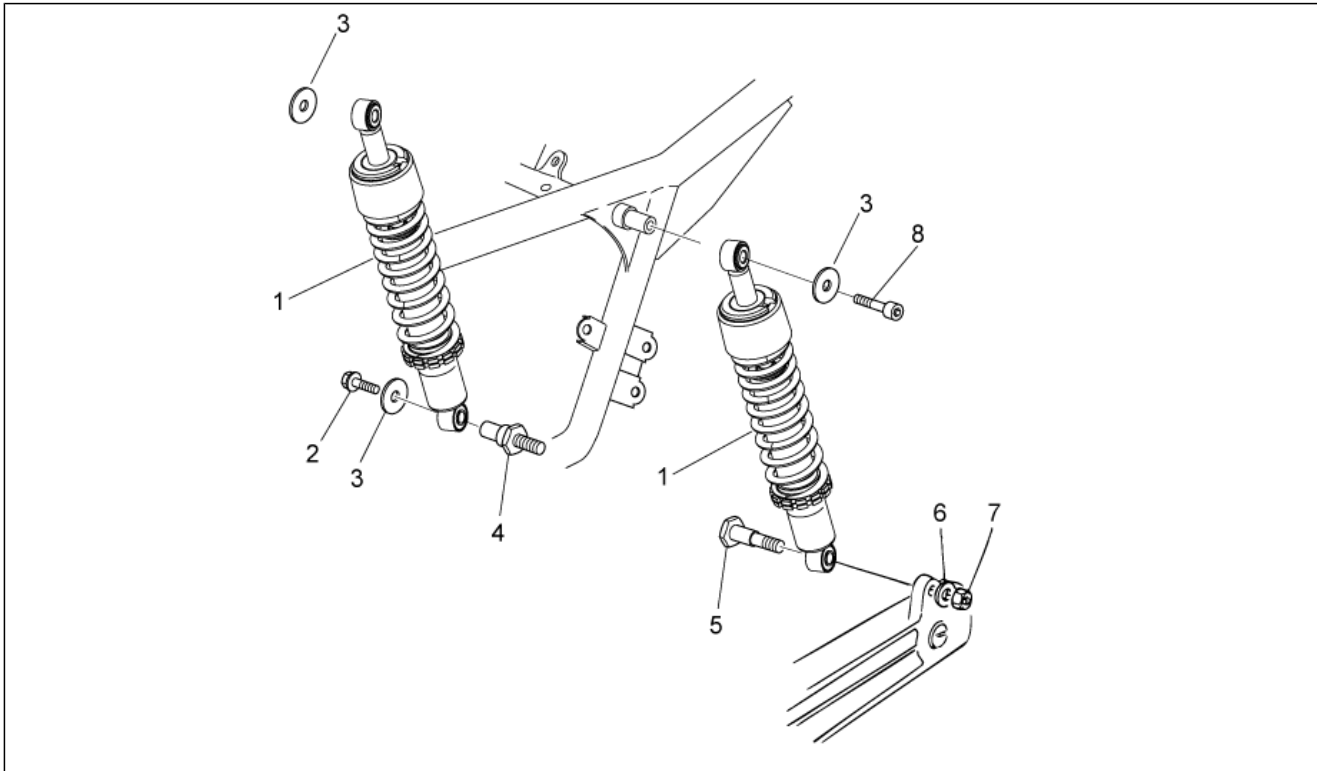
Pos.	Code	Description	Qty	Variants
1	887878	screw M10x30	2	
2	887879	Washer	2	
3	887880	screw	2	
4	2R000110	LH sleeve	1	
5	887882	Upper bush	2	
6	887883	Washer	2	
7	887884	Gasket ring	2	
8	887885	Stop ring	2	
9	887886	Dust cover	2	
10	2B001591	Sleeve	2	
11	887888	Bush	2	
12	887889	Pad	2	
13	887890	Return spring	2	
14	887891	Plunger, complete	2	
15	2R000243	Spring	2	
16	887893	pipe	2	
17	887894	Plug cpl.	2	
18	887895	screw	2	
19	887896	Stem base	1	
20	GU31513480	Ring nut M25X1	1	
21	887898	Upper plate	1	
22	887899	Washer	1	
23	887900	Nut	1	
24	887901	Rubber spacer	4	
25	887902	Spacer	2	
26	887903	Cup	2	
27	887904	Nut	2	
28	887905	Ring	2	

<b>Group</b>	FRAME
<b>Code</b>	33.08
<b>Description</b>	Fron fork II
<b>Service</b>	1



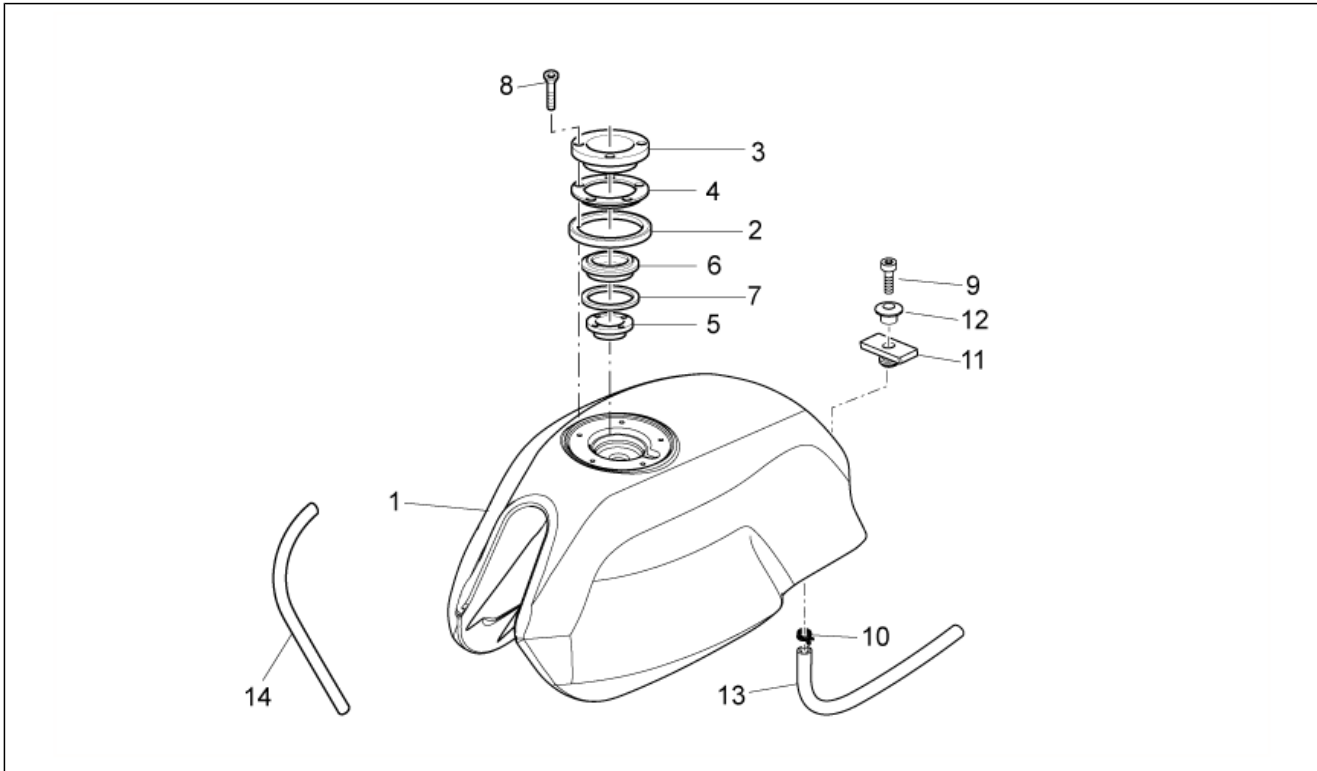
Pos.	Code	Description	Qty	Variants
29	2R000109	RH sleeve	1	
30	887912	Lower U-bolt	2	
31	887913	Upper U-bolt	2	
32	887914	screw M8x30	4	
33	887915	screw M10x60	2	
34	887916	O-ring 4118	2	
35	GU23943410	Plug	4	
36	887917	Sleeve protection	2	

<b>Group</b>	FRAME
<b>Code</b>	33.11
<b>Description</b>	Rear shock absorber
<b>Service</b>	1



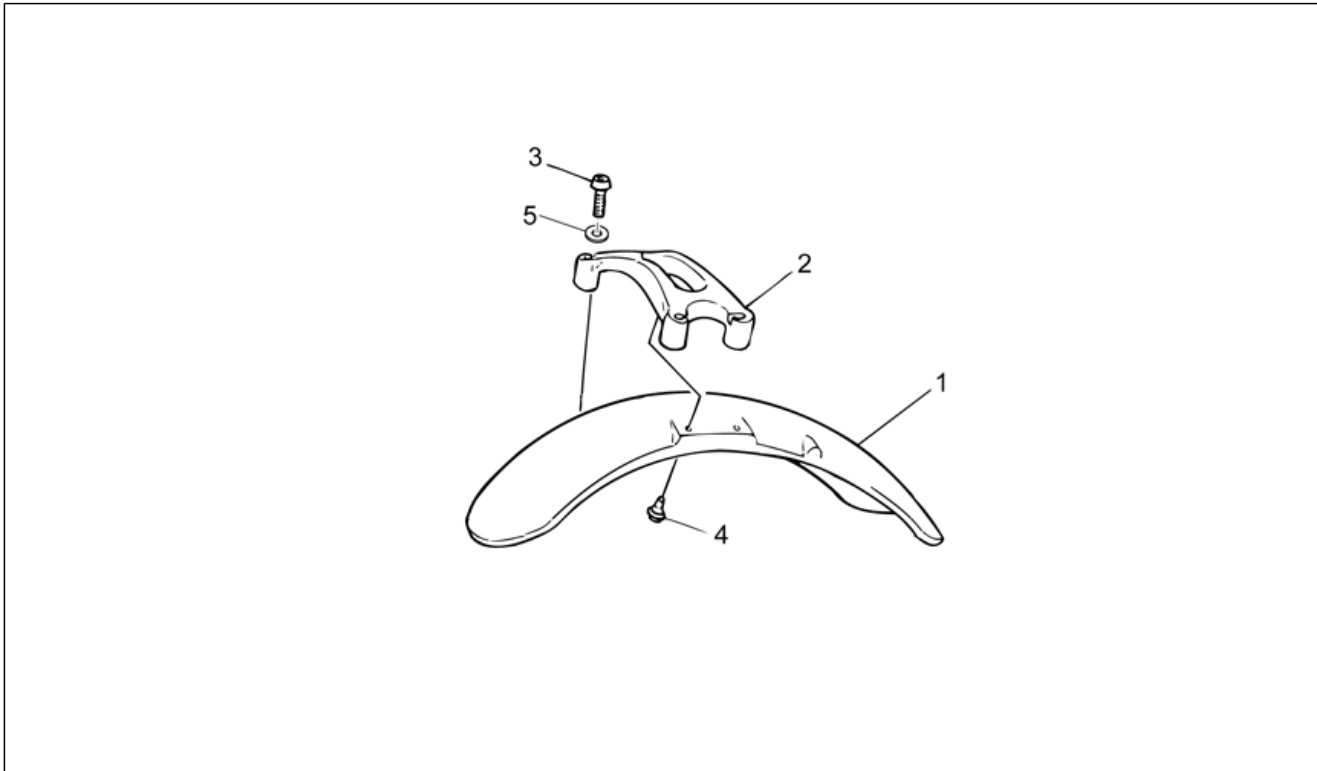
Pos.	Code	Description	Qty	Variants
1	884035	Rear shock absorber	2	
1	B063749	Rear shock absorber	2	<b>Technical Specifications:</b> Olle Amortidors SL[O]
2	AP8152278	Screw w/ flange M6x16	1	
3	898164	Shock abs. spacer	3	
4	GU32555210	Pin	1	
5	GU32555211	Pin	1	
6	GU95129181	Washer	1	
7	GU92606210	Nut M10x1,5	1	
8	2B002195	Vite TCEI IX M6X35 preimpregnata	2	

<b>Group</b>	FRAME
<b>Code</b>	33.12
<b>Description</b>	Fuel tank
<b>Service</b>	1



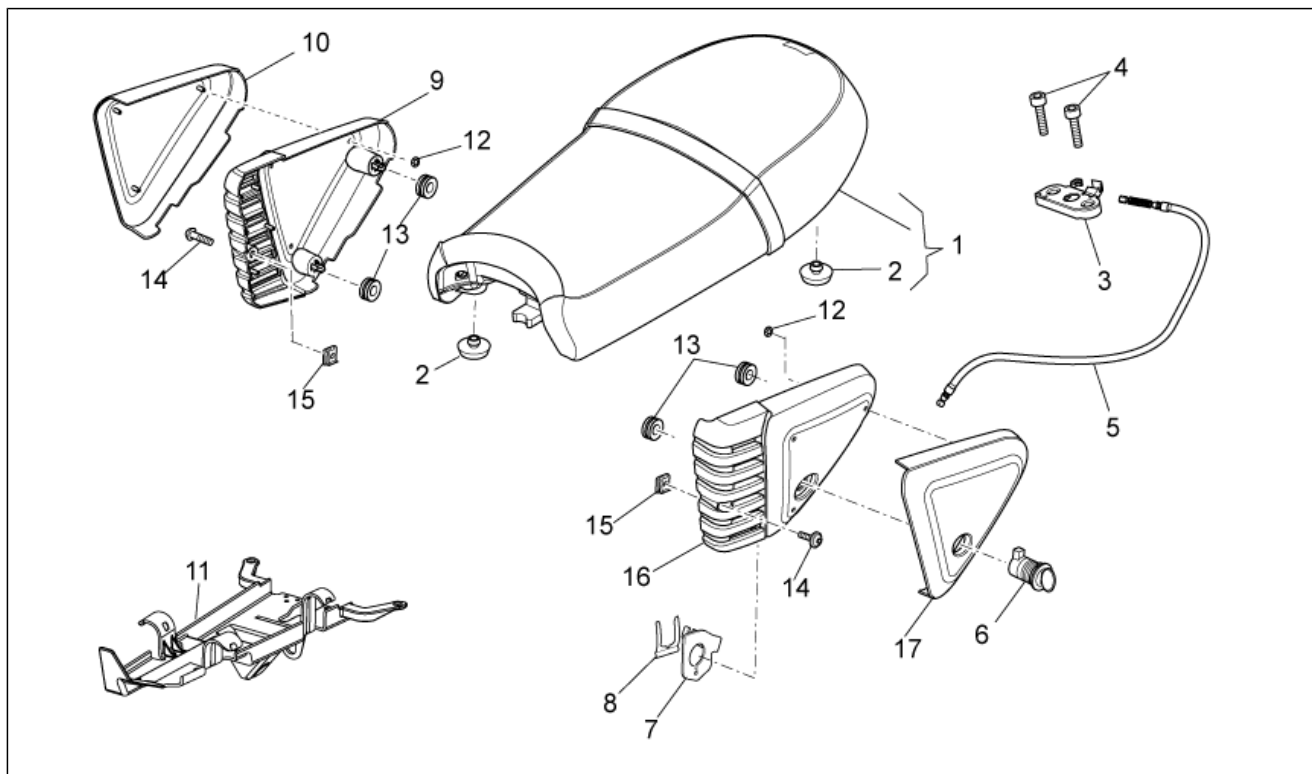
Pos.	Code	Description	Qty	Variants
1	2H000020000XN2	Fuel tank, black	1	Vehicle colour:Competition Black[nc] Technical Specifications:Decal[D]
1	2H000664000YA4	Fuel tank, cyan	1	Vehicle colour:Vieste blue[az] Technical Specifications:Decal[D]
1	2H000664000YR6	Fuel tank, red	1	Vehicle colour:Daytona red[rd] Technical Specifications:Decal[D]
1	887944	Fuel tank blank metal	1	Vehicle colour:Blank[gr]
2	GU03102400	Gasket	1	
3	GU03101900	Flange	1	
4	GU03103500	Ring	1	
5	883502	Reduction 24 mm	1	
6	GU03102200	Plug ring nut	1	
7	GU03101600	Gasket	2	
8	GU03103200	screw	5	
9	GU98682430	Hex socket screw M8x30	1	
10	AP8101595	Hose clamp D10,1	1	
11	AP8120557	Tank rubber	1	
12	AP8121673	T bush *	1	
13	GU00823944050	pipe 5X9	1	
14	2B000909	Gasket	1	

<b>Group</b>	FRAME
<b>Code</b>	33.13
<b>Description</b>	Front body - Front mudguard
<b>Service</b>	1



Pos.	Code	Description	Qty	Variants
1	88635200XN2	Front mudguard, black	1	<b>Vehicle colour:</b> Vieste blue[az], Competition Black[nc], Daytona red[rd] <b>Technical Specifications:</b> Decal[D]
1	GU32434460	Front mudguard blank	1	<b>Vehicle colour:</b> Blank[gr]
2	883266	Stabilization plate	1	
3	GU98370845	Hex socket screw	4	
4	GU31439565	Special screw	4	
5	GU14615901	Washer 8,4X13X0,8	4	

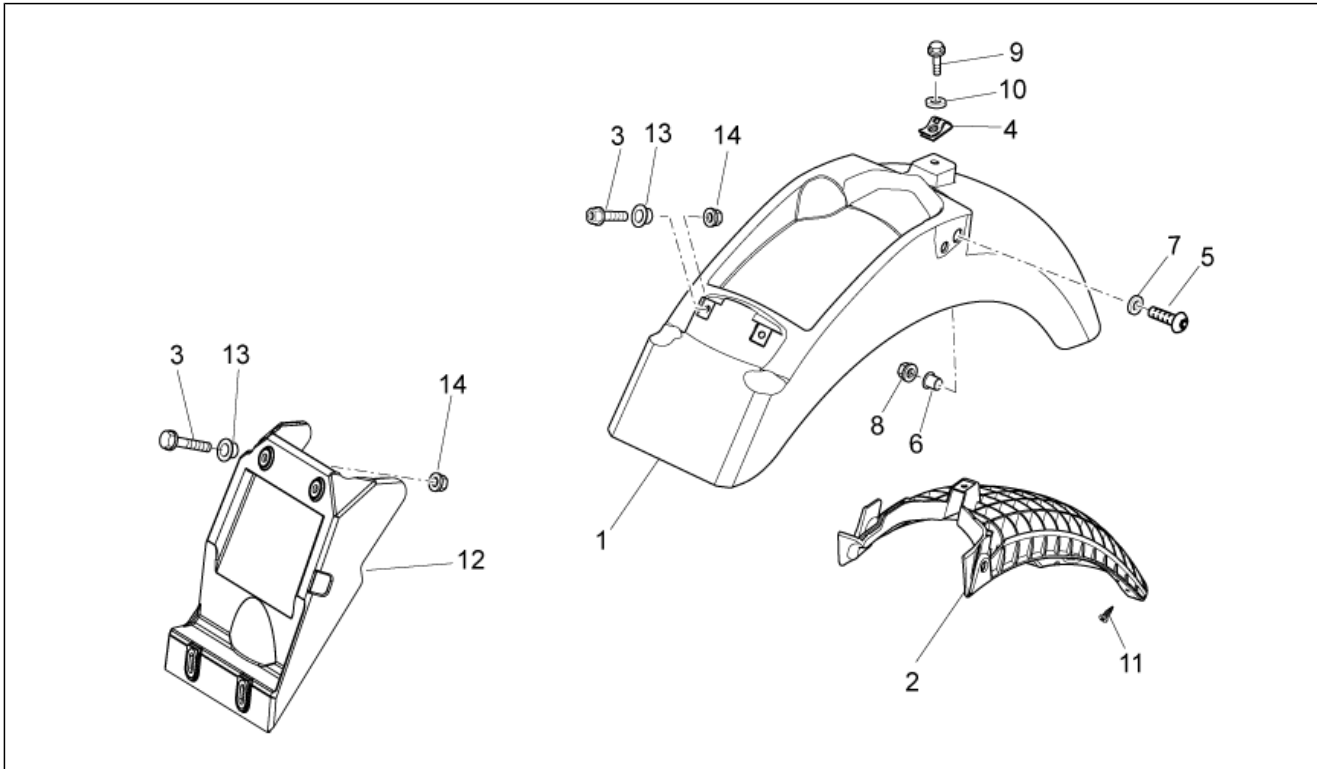
<b>Group</b>	FRAME
<b>Code</b>	33.14
<b>Description</b>	Saddle-Central bod
<b>Service</b>	1



Pos.	Code	Description	Qty	Variants
1	88793900A1	Two-seat saddle	1	
2	GU32461610	Rubber spacer	8	
3	AP8102913	Pass.saddle connecting plate	1	
4	GU98370625	Hex socket screw	2	
5	883295	Saddle release cable	1	
6	977527	Locking complete with keys	1	
7	AP8121420	Fork spring	1	
8	978415	Cable fixing plate	1	
9	2B000878	RH side panel	1	
10	2H000728000XN2	RH side panel, black	1	<b>Vehicle colour:</b> Vieste blue[az], Competition Black[nc], Daytona red[rd] <b>Technical Specifications:</b> Decal[D]
10	978940	RH side panel, blank	1	<b>Vehicle colour:</b> Blank[gr]
11	B063431	Protection	1	
12	2B002549	***LOCK WASHER	1	
13	GU91551086	Rubber spacer	4	
14	AP8152339	Screw w/ flange M5x9	2	
15	AP8102375	Clip m5	2	
16	2B000840	LH side panel	1	
17	2H000729000XN2	LH side panel, black	1	<b>Vehicle colour:</b> Vieste blue[az], Competition Black[nc], Daytona red[rd] <b>Technical Specifications:</b> Decal[D]
17	978943	LH side panel, blank	1	<b>Vehicle colour:</b> Blank[gr]

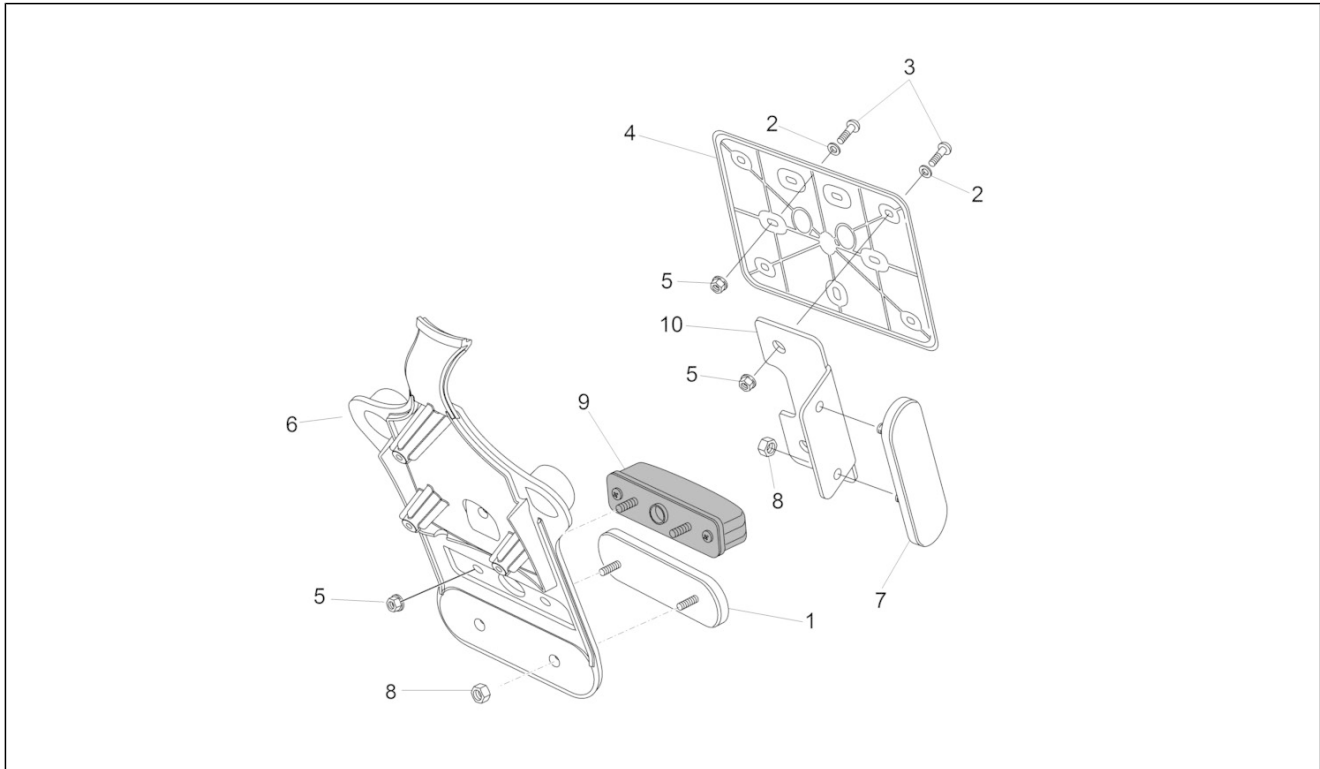


<b>Group</b>	FRAME
<b>Code</b>	33.15
<b>Description</b>	Rear body I- Mudguard
<b>Service</b>	1



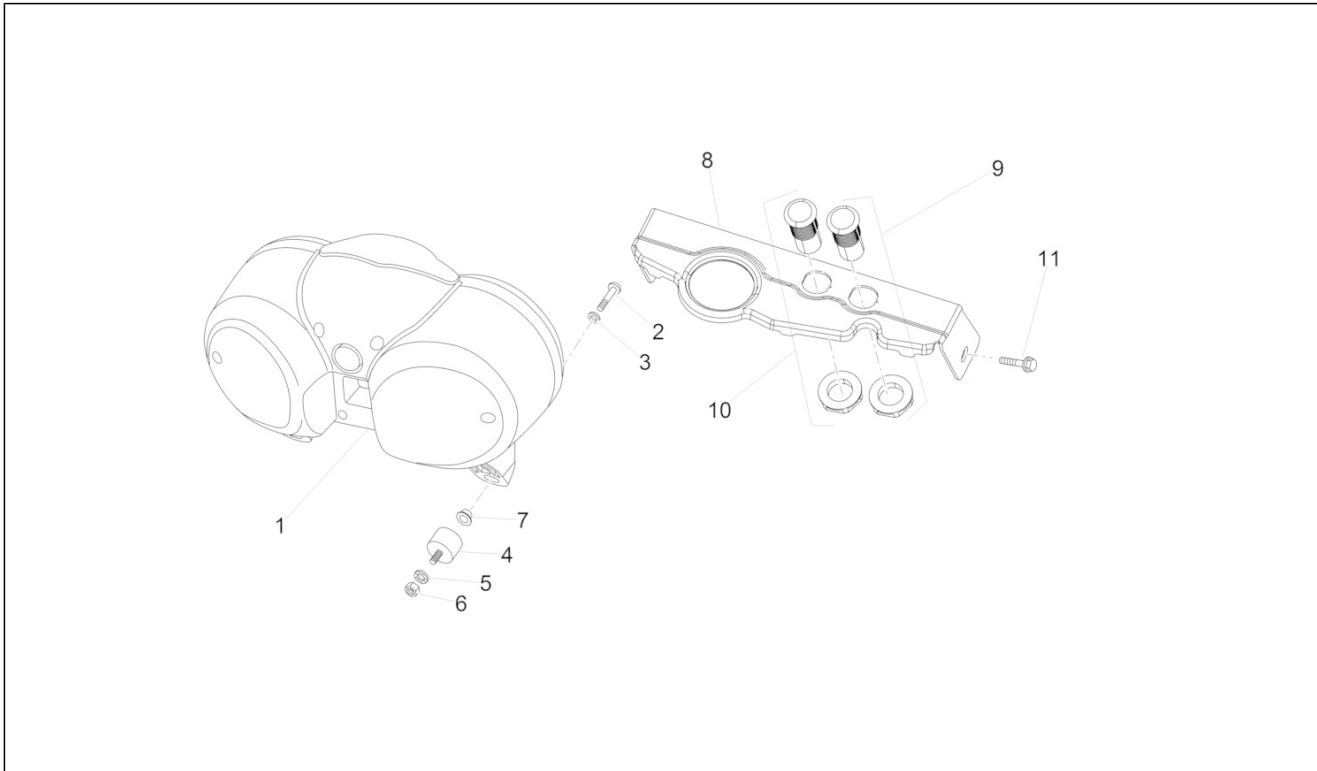
Pos.	Code	Description	Qty	Variants
1	978946	Rear mudguard blank	1	Vehicle colour:Blank[gr]
1	97894600XN2	Rear mudguard, black	1	
2	978947	Support	1	
3	AP8152278	Screw w/ flange M6x16	4	
4	254485	Spring plate M6	1	
5	GU98690435	Hex socket screw M8x35	2	
6	GU91120806	Spacer	2	
7	GU95005310	Washer 8,4x18x2	2	
8	GU92630108	Nut	2	
9	AP8152279	Screw w/ flange M6x20	2	
10	AP8121032	Bush	2	
11	AP8152329	Phillips screw, SWP M5x20	3	
12	2B001783	Rear splash guard	1	
13	AP8121032	Bush	6	
14	AP8152299	Self-locking nut M6	6	

<b>Group</b>	FRAME
<b>Code</b>	33.16
<b>Description</b>	Rear body II- Plate holder
<b>Service</b>	1



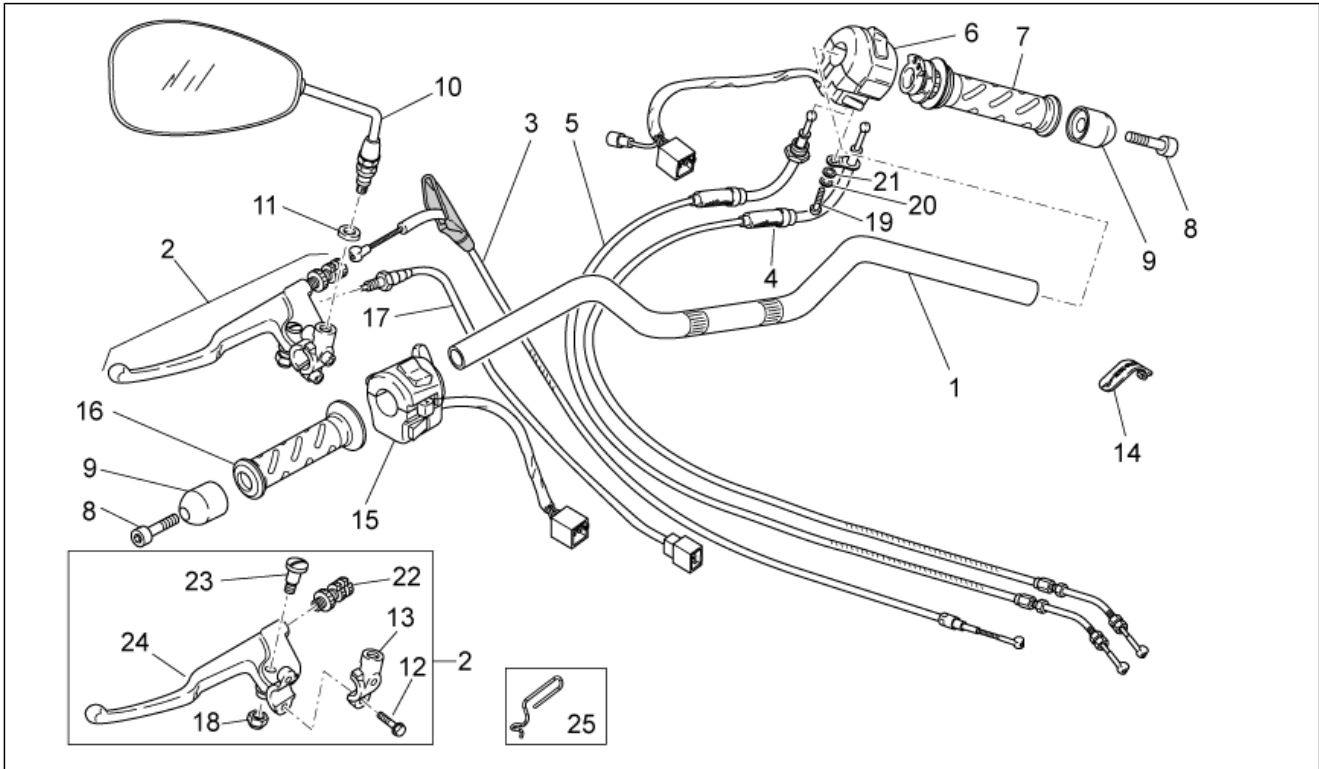
Pos.	Code	Description	Qty	Variants
1	GU05781630	Reflector, amber	1	
2	AP8150248	Washer 5,5x15x1,6	7	
3	AP8152268	Hex socket screw M5x16	7	
4	AP8149034	Number plate support	1	
5	AP8152306	Self-locking nut m5	1	
6	883470	Number plate holder	1	
7	AP8124718	Rear reflector, red	2	
8	GU92630204	Nut	6	
9	883480	Number-plate light	1	
10	GU32781910	Reflector support	2	

<b>Group</b>	FRAME
<b>Code</b>	33.17
<b>Description</b>	Dashboard
<b>Service</b>	1



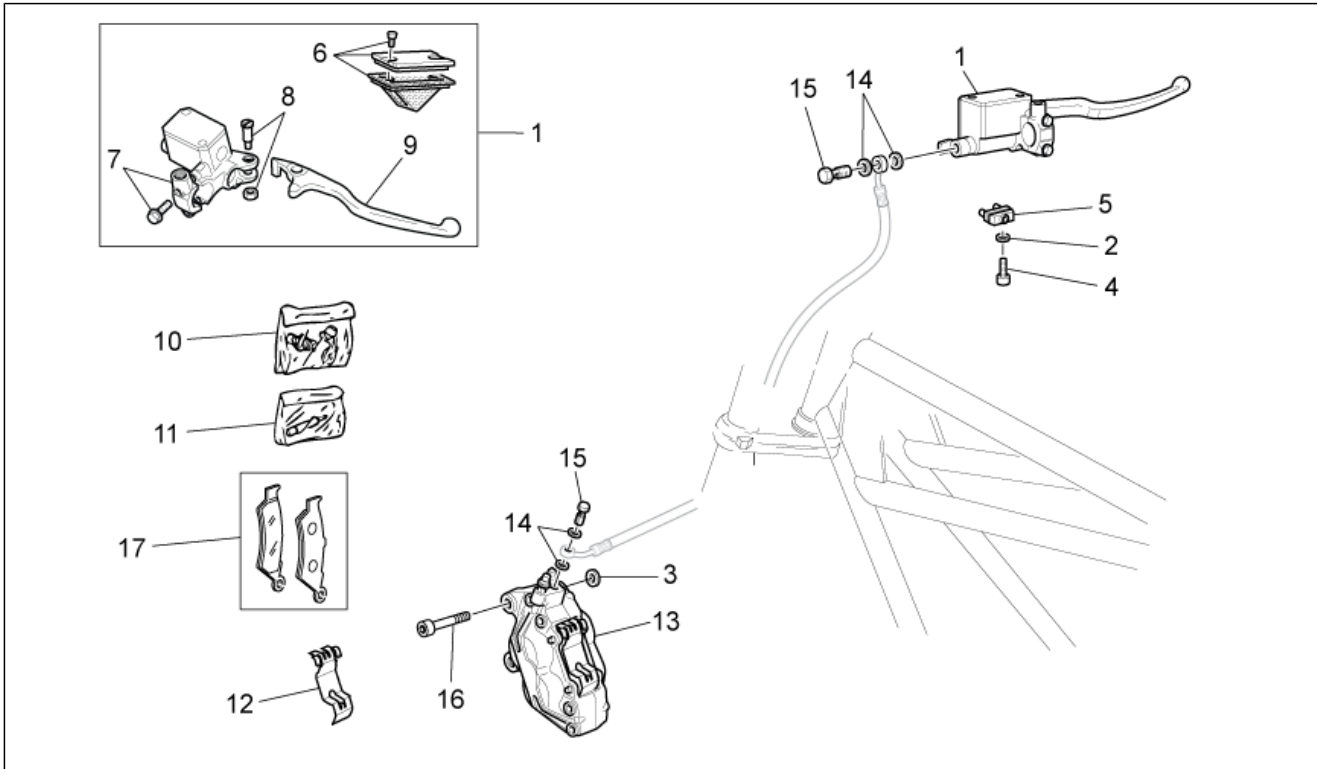
Pos.	Code	Description	Qty	Variants
1	887195	Dashboard complete MPH	1	
2	GU98370609	Hex socket screw M6x10	3	
3	GU95005306	Washer 6,4x13x1,5	3	
4	GU93222023	Silent-block	3	
5	GU95021206	Washer	3	
6	GU92606206	Nut	3	
7	AP8121032	Bush	3	
8	2B001101	Instrument frame	1	
9	2D000022	Tell tale lamp MGCT	1	
10	2D000021	Tell tale lamp ABS	1	
11	GU98692414	screw M8x14	2	

<b>Group</b>	FRAME
<b>Code</b>	33.18
<b>Description</b>	Handlebar - Controls
<b>Service</b>	1



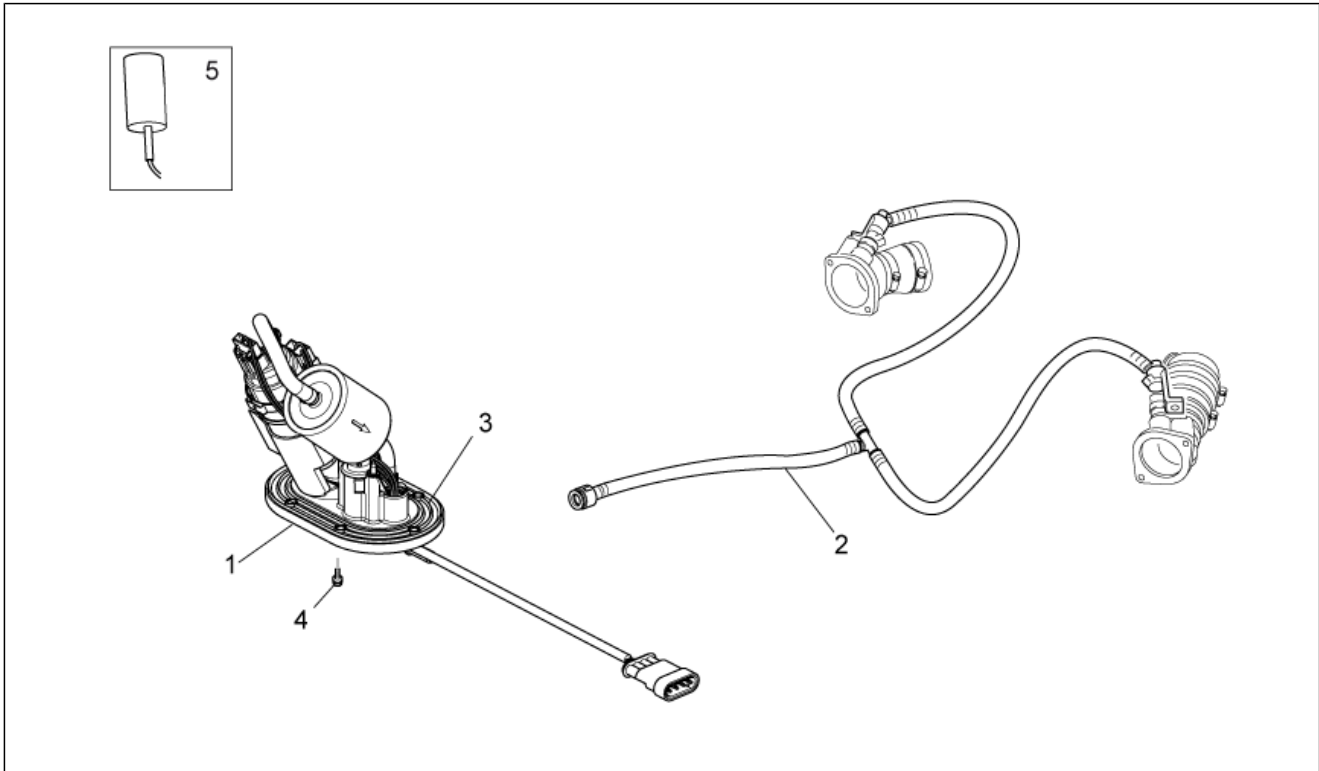
Pos.	Code	Description	Qty	Variants
1	978960	Handlebar	1	
2	2B001300	Clutch lever cpl.	1	
3	2B001202	Clutch cable	1	
4	887852	Gas trasmission delivery	1	
5	887853	Gas trasmission return	1	
6	B063135	RH lights selector	1	
7	GU32603310	RH hand grip	1	
8	GU98690335	Hex socket screw	2	
9	GU32602860	Anti.v weight, chr.	2	
10	883802	RH/LH rearview mirror	2	<b>Technical Specifications:</b> marked "FU E11 81R-001047"[FU]
10	978570	Rearview mirror	2	<b>Technical Specifications:</b> marked "FAR"[FAR]
11	GU91181003	Spacer 10,25X20X4	2	
12	GU97202325	Black screw w/ flange M6x25	2	
13	GU30601060	Clump	1	
14	GU01609630	Hose clamp L46 mm	2	
14	GU03609600	Hose clamp L36 mm	1	
15	B063975	LH lights selector	1	
16	GU32603010	LH hand grip	1	
17	GU29759150	Lateral stand switch	1	
18	AP8213388	Self-locking nut	1	
19	GU98230510	Hex socket screw	1	
20	GU95008305	Washer 5,3X10X1	1	
21	GU95021105	Notched washer	1	
22	GU30602500	Register	1	
23	AP8213028	screw	1	
24	2B001998	Clutch control lever	1	
25	2B001138	Fairlead	1	

<b>Group</b>	FRAME
<b>Code</b>	33.19
<b>Description</b>	Front brake system
<b>Service</b>	1



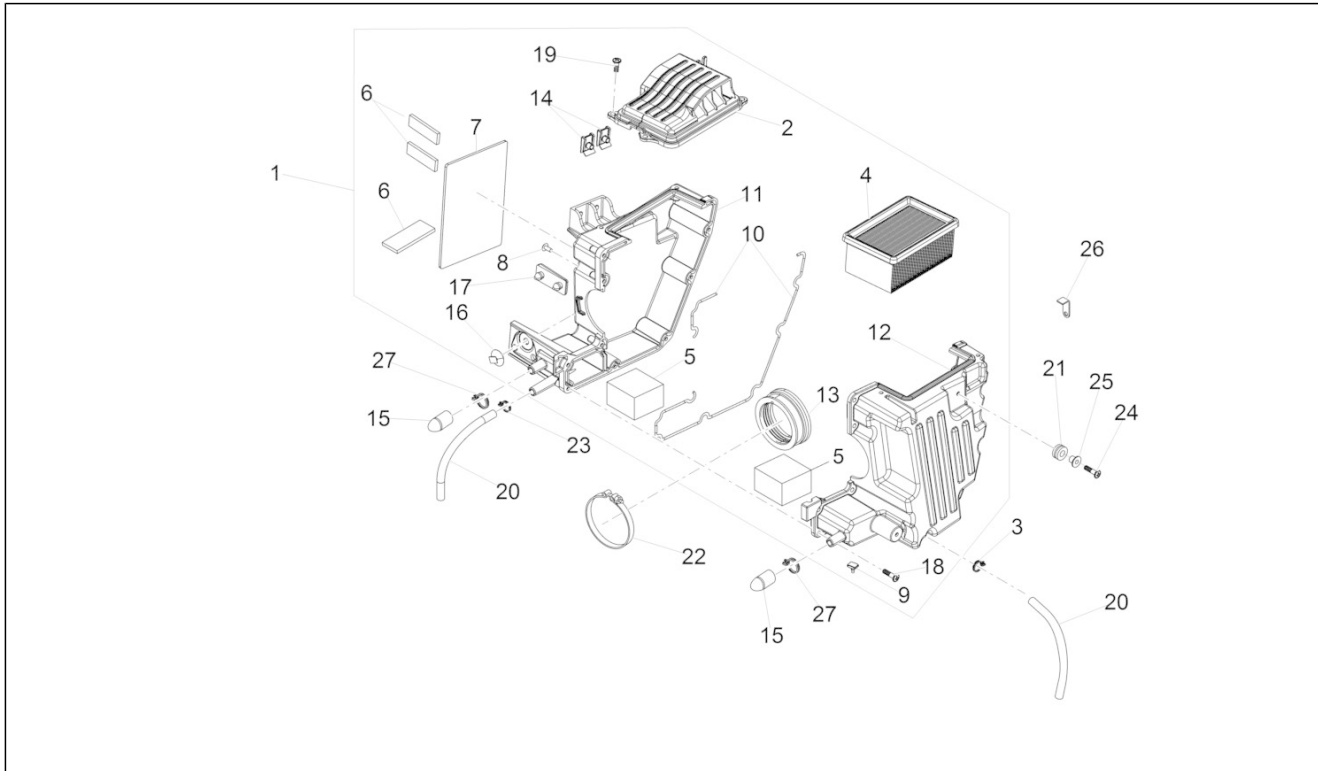
Pos.	Code	Description	Qty	Variants
1	2B001199	Front master cilinder	1	
2	GU95021104	Washer 4,3x8x1,5	1	
3	GU91181003	Spacer 10,25X20X4	2	
4	AP8152043	Hex socket screw M4x10	1	
5	GU03749845	Stop switch	1	
6	2B001928	Pump cover	1	
7	2B001929	Bracket	1	
8	2B001927	Lever pin cpl.	1	
9	2B001926	Brake lever	1	
10	GU05659230	Bleeder+cap	1	
11	GU01659130	Pins+Caliper springs	1	
12	GU01659131	Spring	1	
13	2B001197	Front disk brake caliper l.h.	1	
14	AP8113004	Washer 10x14x1,6*	4	
15	AP8113003	Oil pipe screw	2	
16	AP8152385	Hex socket screw M10x1,25	2	
17	883673	Pads pair	1	

<b>Group</b>	FRAME
<b>Code</b>	33.21
<b>Description</b>	Fuel pump
<b>Service</b>	1



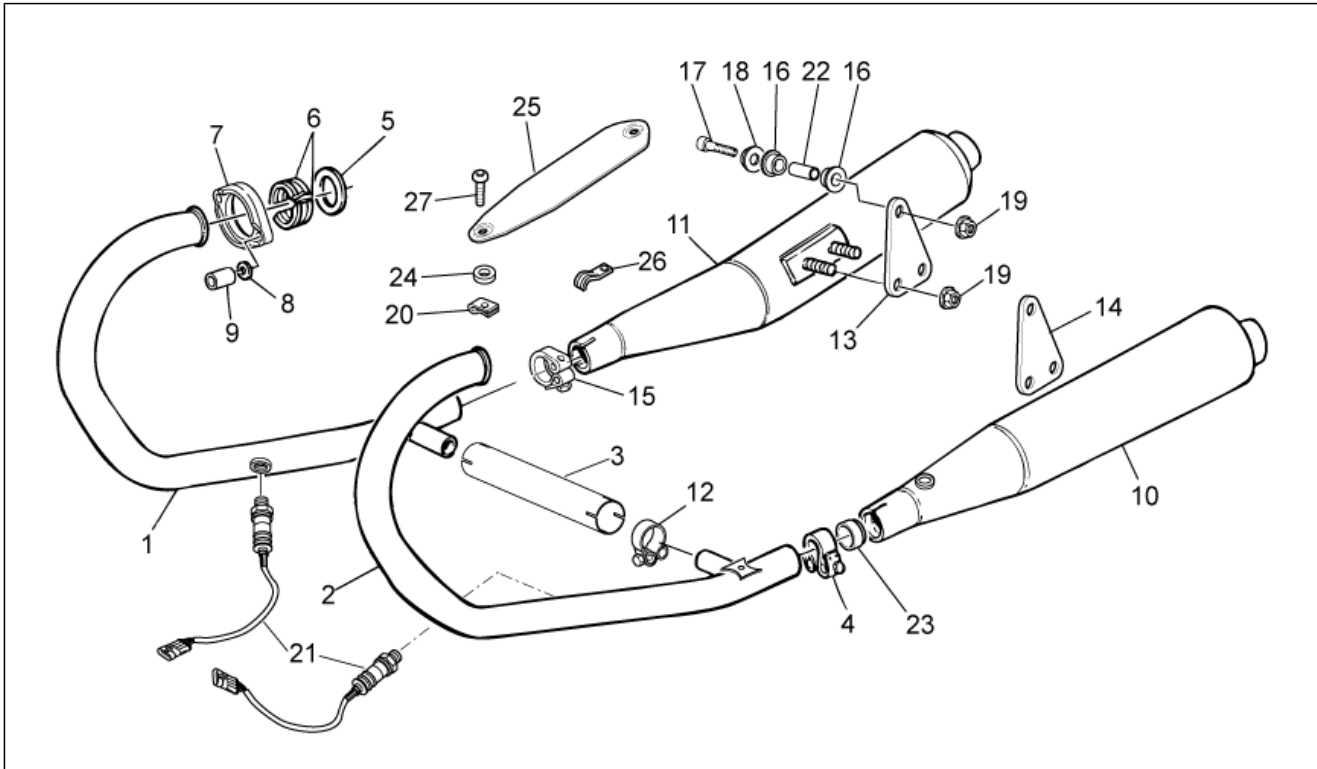
Pos.	Code	Description	Qty	Variants
1	B063752	Fuel pump	1	
2	2B001342	Fuel pipe	1	
3	GU05107430	Gasket	1	
4	AP8152273	Screw w/ flange M5x15	6	
5	887787	Fuel level sensor	1	

<b>Group</b>	FRAME
<b>Code</b>	33.22
<b>Description</b>	Air box
<b>Service</b>	1



Pos.	Code	Description	Qty	Variants
1	8878421	Complete filter box	1	
2	887843	Air filter cover	1	
3	AP8201358	Hose clamp D 11,9	1	
4	AP8104924	Air filter	1	
5	AP8104525	Filter blow-by	2	
6	883127	Support rubber part 5 mm	1	
7	AP8144553	Support rubber part	1	
8	AP8120876	Plug	2	
9	AP8120455	Rubber spacer	1	
10	AP8120615	Gasket D3	2	
11	887844	Filter box right shell	1	
12	887845	Filter box left shell	1	
13	887815	Intake hose	1	
14	254485	Spring plate M6	2	
15	AP8161054	Cap	2	
16	890760	Instrument support	1	
17	AP8144729	Stand end stop	1	
18	AP8152329	Phillips screw, SWP M5x20	9	
19	AP8150509	Self-tap screw 5x14	4	
20	AP8120772	Breather pipe	1	
21	GU91551010	Rubber 10X20X10	2	
22	CM258303	Hose clamp 63	1	
23	AP8102766	Hose clamp	3	
24	AP8152329	Phillips screw, SWP M5x20	2	
25	AP8221023	T bush	2	
26	GU31112965	Square	1	
27	AP8102520	Hose clamp	2	

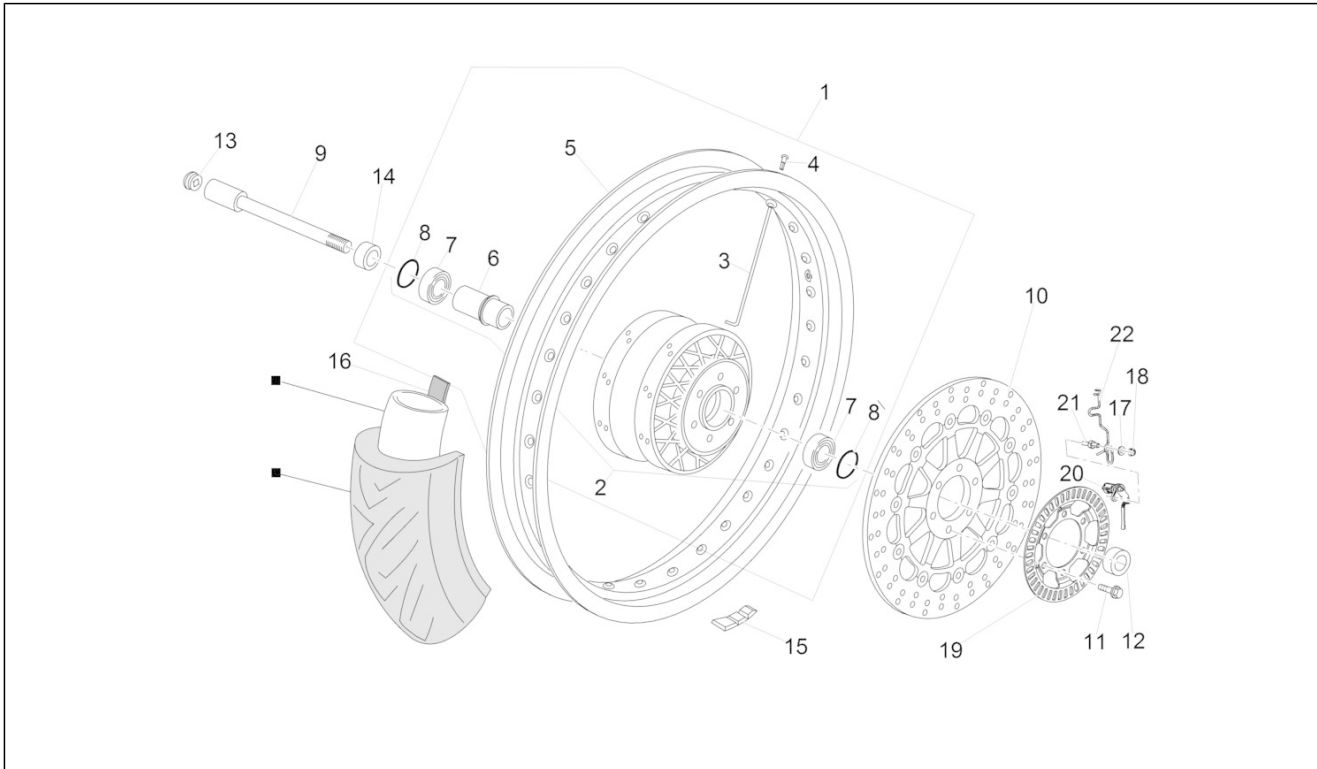
<b>Group</b>	FRAME
<b>Code</b>	33.23
<b>Description</b>	Exhaust unit
<b>Service</b>	1



Pos.	Code	Description	Qty	Variants
1	2B000995	RH exhaust manifold	1	
2	2B000996	LH exhaust manifold	1	
3	B063022	Exhaust manifold union	1	
4	883294	LH silencer clamp	1	
5	GU19025280	Gasket	2	
6	GU19025460	Spacer	4	
7	GU32121010	Ring nut	2	
8	GU03013800	Washer 6,4x12	4	
9	GU31121880	Nut	4	
10	2B002070	LH silencer	1	
11	2B002069	RH silencer	1	
12	978385	Hose clamp	2	
13	883297	RH plate	1	
14	883298	LH plate	1	
15	883293	RH silencer clamp	1	
16	AP8144071	Rubber exhaust	4	
17	GU98690440	screw M8x40	2	
18	AP8134378	Silencer fixing bush	2	
19	GU92640508	Nut M8	6	
20	254485	Spring plate M6	2	
21	896110	Lambda sensor l.660 mm	2	
22	AP8121072	Spacer	2	
23	GU91113826	Bushing	2	
24	AP8120870	Insulating washer	4	
25	883704	Exhaust pipe heat prot.	2	
26	GU93301175	U-bolt	1	
27	GU98210612	Screw w/ flange M6x12	4	

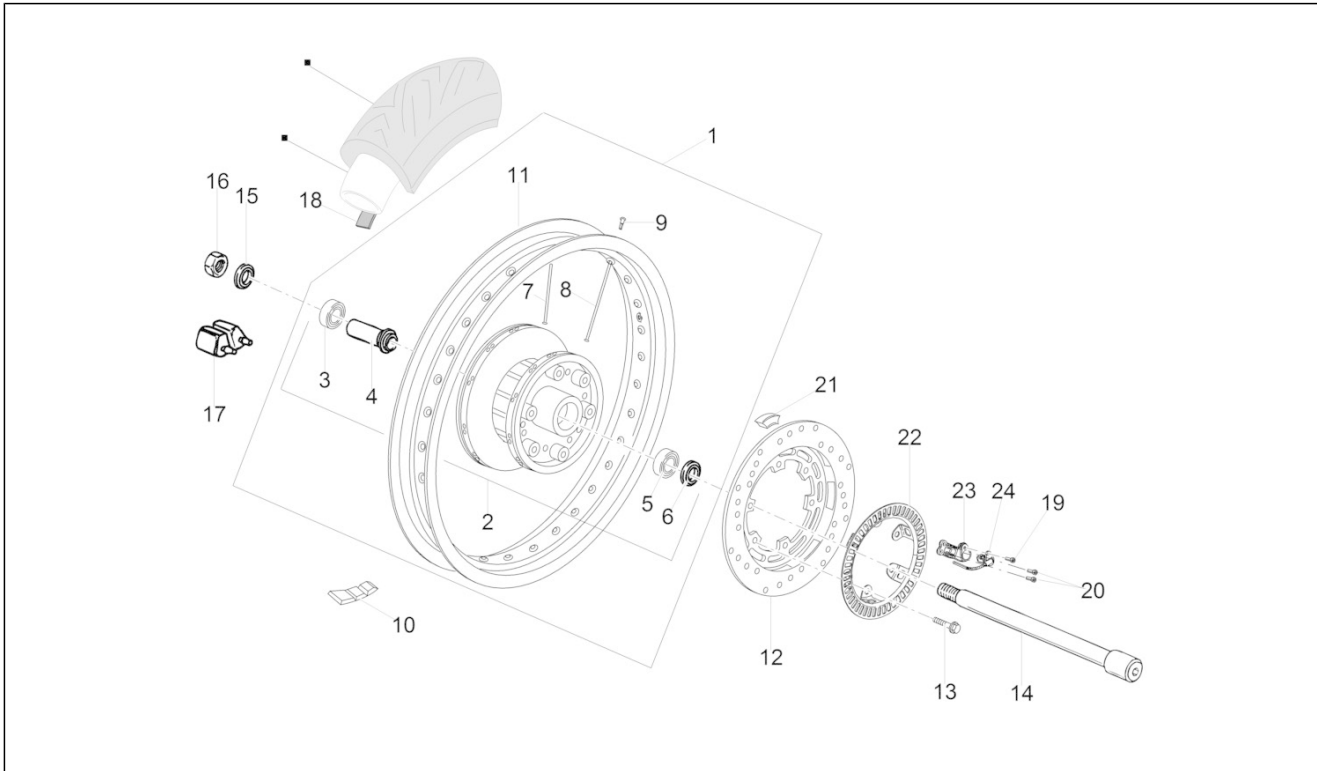


<b>Group</b>	FRAME
<b>Code</b>	33.24
<b>Description</b>	Front wheel I
<b>Service</b>	1



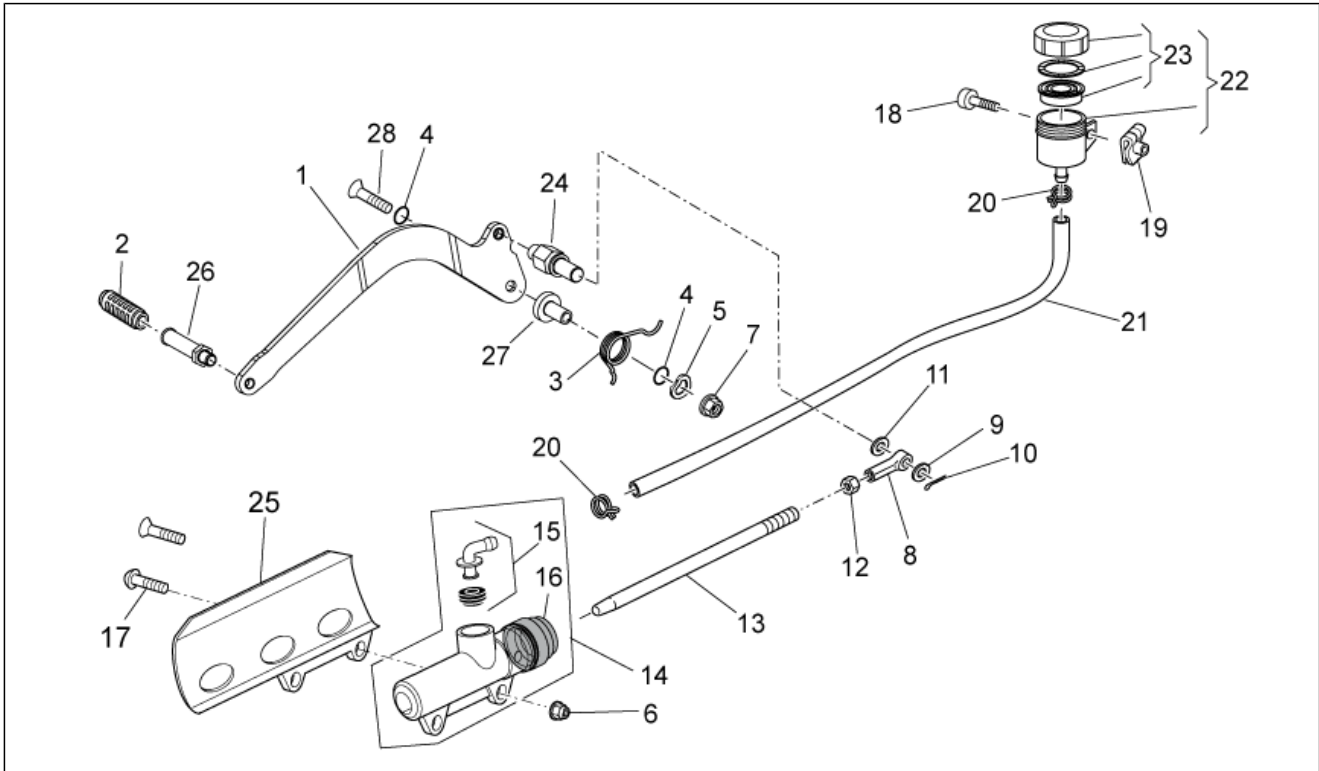
Pos.	Code	Description	Qty	Variants
1	B063702	Front wheel 2,5x18" Black	1	
2	GU32613160	Front hub	1	
3	B063144	Front wheel spoke	36	
4	GU03631250	Nipples	36	
5	B063077	Black front rim 2.5X18"	1	
6	GU31615283	Spacer	1	
7	GU92204221	Bearing	2	
8	GU90402642	Gasket ring	1	
9	GU31614183	Front wheel spindle	1	
10	883688	Front brake disc 320	1	
11	887762	Flanged TE screw M8x22	6	
12	GU31616384	LH spacer	1	
13	GU93180111	Cover 15 mm	1	
14	GU32615660	RH spacer	1	
15	GU14616150	Counterweight	1	
16	GU03612040	Tyre flap	1	
17	AP8150178	Washer 6,4x12,5*	1	
18	GU92630207	Nut	1	
19	887875	Phonic wheel	1	
20	859792	Sensor ABS	1	
21	2B001708	Spacer	1	
22	2B001561	Fairlead	1	

<b>Group</b>	FRAME
<b>Code</b>	33.25
<b>Description</b>	Rear wheel I
<b>Service</b>	1



Pos.	Code	Description	Qty	Variants
1	B063704	Rear wheel(complete) 3,5x17" Black	1	
2	GU32692260	Hub	1	
3	GU92204218	Bearing	1	
4	GU27633910	Spacer	1	
5	GU92204217	Bearing	1	
6	GU90402538	Gasket ring 25x40x7	1	
7	883350	Short spoke	18	
8	883349	Long spoke mm 158	18	
9	GU03631250	Nipples	36	
10	GU14616150	Counterweight	1	
11	B063078	Rear wheel 3,5"x17" Black	1	
12	887448	Brake disc	1	
13	894505	Screw w/ flange M8x18	6	
14	GU32633360	Rear wheel spindle	1	
15	GU31634481	Washer	1	
16	GU92606316	Nut M16x1,5	1	
17	GU32632510	Rubber coupling	6	
18	GU28612033	Tyre flap	1	
19	GU98612216	Hex socket screw	1	
20	GU98682312	Hex socket screw M6x12	2	
21	GU32636160	Support rubber part	1	
22	2B000225	Phonic wheel	1	
23	2B000377	Sensor support ABS	1	
24	859792	Sensor ABS	1	

<b>Group</b>	FRAME
<b>Code</b>	33.26
<b>Description</b>	Rear master cylinder
<b>Service</b>	1



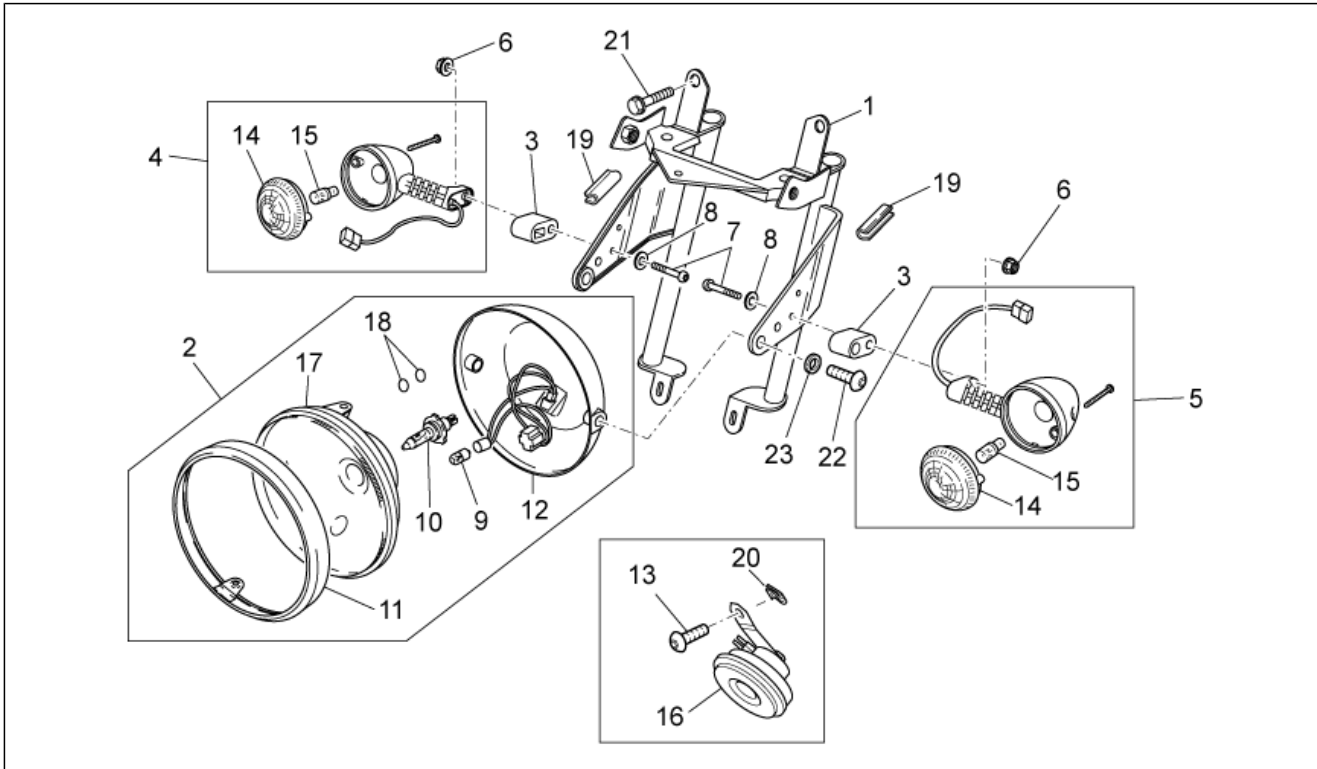
Pos.	Code	Description	Qty	Variants
1	887910	Brake lever	1	
2	AP8120912	Lever rubber	1	
3	978969	Spring	1	
4	AP8144007	O-ring 11,11x1,78	2	
5	GU95005310	Washer 8,4x18x2	1	
6	GU92630206	Nut M6x1	2	
7	GU92660021	Flanged nut M8	1	
8	GU18257551	Block	1	
9	GU95005308	Washer 8,4x14,57x1,6	1	
10	GU95500221	Split pin	1	
11	658837	Crinkle washer D15 F8,4 S1,5 - INOX	1	
12	GU92609007	Nut	1	
13	2B001597	Master cylinder rod	1	
14	2B000508	Rear master cylinder	1	
15	AP8213057	Rear brake pump union	1	
16	AP8113288	Rubber bellows	1	
17	GU98370625	Hex socket screw	2	
18	AP8152298	Screw w/ flange M5x16	1	
19	248419	Spring plate m5	1	
20	AP8101594	Hose clamp D10,1*	2	
21	GU00823950050	Oil pipe	1	
22	AP8113241	Brake oil tank complete	1	
23	AP8113553	Tank cap	1	
24	887911	Brake lever pin	1	
25	GU01665410	Brake m.cyl.protection, black	1	
26	887908	Rubber pedal	1	
27	887952	Rear brake lever bush	1	
28	B063443	Screw M8x50	1	

<b>Group</b>	FRAME
<b>Code</b>	33.27
<b>Description</b>	Rear brake caliper
<b>Service</b>	1



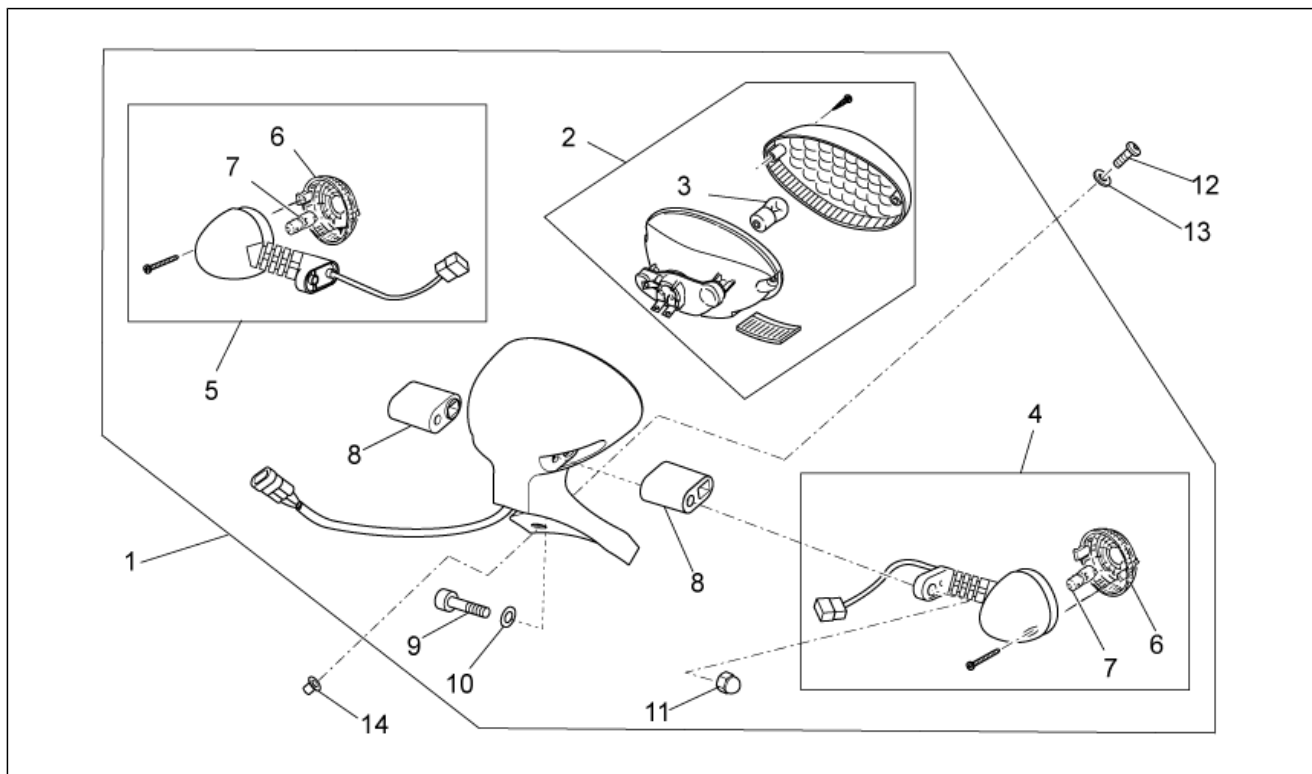
Pos.	Code	Description	Qty	Variants
1	2B000229	Brake caliper support plate	1	
2	GU31634281	Bushing	1	
3	GU31544181	Pin	1	
4	AP8152288	Screw w/ flange	1	
5	GU32634160	Spacer	4	
6	2B000525	Rear brake caliper	1	
7	2R000248	Brake pads torque	1	
8	GU31659281	Bleeder+cap	1	
9	GU31659181	Pins+spring kit	1	

<b>Group</b>	FRAME
<b>Code</b>	33.28
<b>Description</b>	Front lights
<b>Service</b>	1



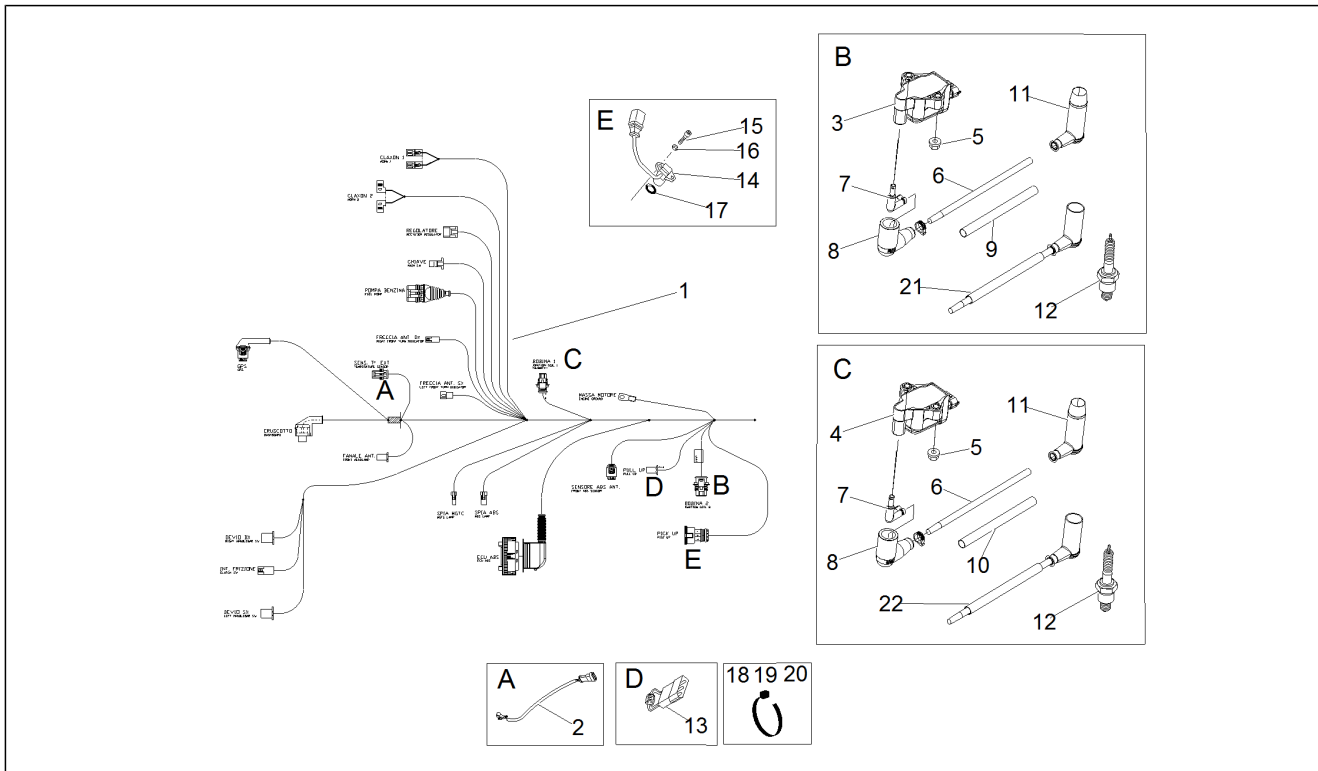
Pos.	Code	Description	Qty	Variants
1	GU32506360	Headlight support clamp	1	
2	978311	Headlight	1	
3	GU32753410	Spacer	2	
4	B063800	RH front/LH rear turn indic.	1	
5	B063801	LH front/RH rear turn indic.	1	
6	GU92787006	Cap nut M6x1	2	
7	GU98370655	Hex socket screw	2	
8	GU95021206	Washer	2	
9	GU93450105	Lamp	1	
10	GU93450232	Lamp 12V-55/60W	1	
11	GU31740383	Chromed ring nut	1	
12	981149	Cap, black	1	
13	AP8150377	screw	2	
14	GU32753711	Turn indicator lens	2	
15	GU93450127	Lamp	2	
16	890979	Horn	1	
17	GU06740400	Light assembly	1	
18	883417	O-ring	2	
19	GU00823931055	Gasket	1	
20	254485	Spring plate M6	2	
21	GU98880540	screw M10x40	2	
22	GU98692420	Hex socket screw M8x20	2	
23	AP8134378	Silencer fixing bush	2	

<b>Group</b>	FRAME
<b>Code</b>	33.29
<b>Description</b>	Rear lights
<b>Service</b>	1



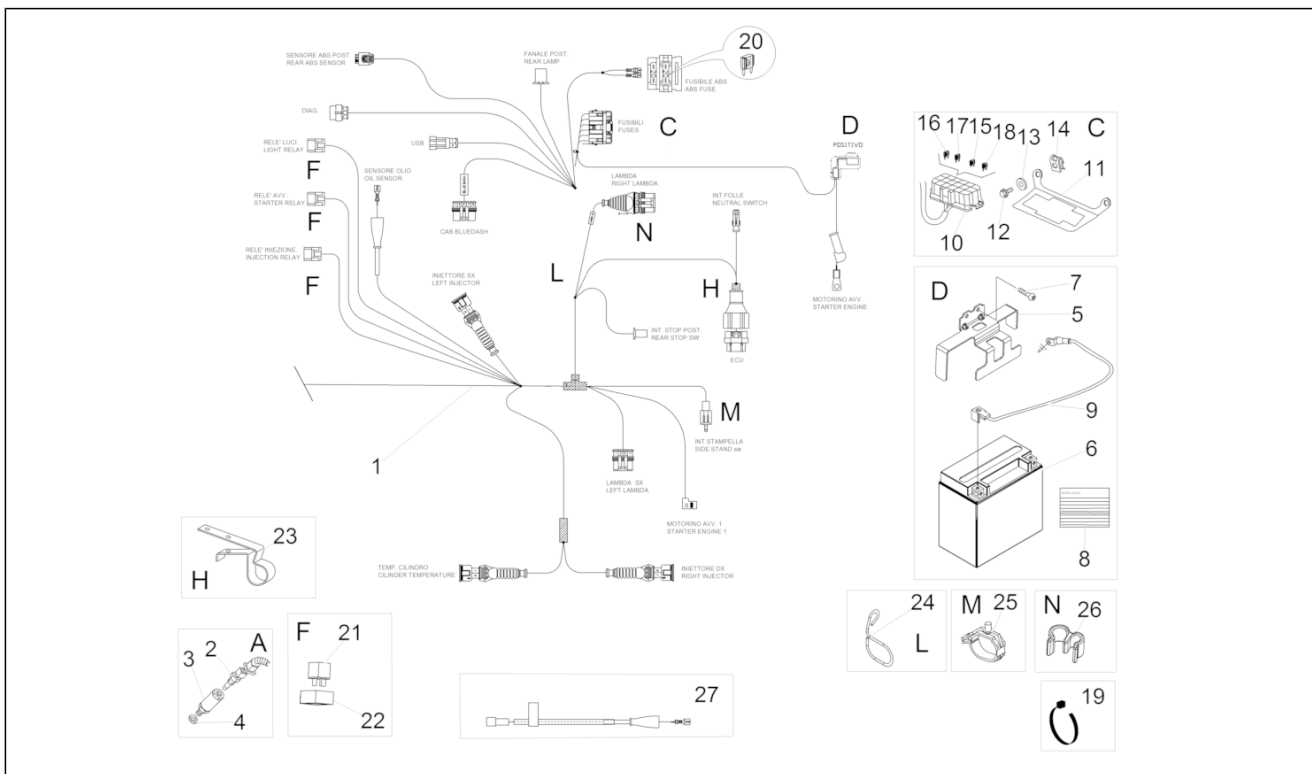
Pos.	Code	Description	Qty	Variants
1	2B001748	Taillight	1	
2	GU03740930	Taillight	1	
3	GU93450224	Lamp	1	
4	B063800	RH front/LH rear turn indic.	1	
5	B063801	LH front/RH rear turn indic.	1	
6	GU32753711	Turn indicator lens	2	
7	GU93450127	Lamp	2	
8	GU32753410	Spacer	2	
9	GU98370655	Hex socket screw	2	
10	GU95021206	Washer	2	
11	GU92787006	Cap nut M6x1	2	
12	GU98350215	Hex socket screw	3	
13	GU30577800	Nylon washer 5,5X12X1	3	
14	GU93231605	Antivibration bush	3	

<b>Group</b>	FRAME
<b>Code</b>	33.30
<b>Description</b>	Electrical system I
<b>Service</b>	1



Pos.	Code	Description	Qty	Variants
1	2D000108	Main wiring harness	1	
2	AP8124936	Air temp. Sensor	1	
3	642034	HT coil DX	1	
4	641901	HT coil	1	
5	AP8152299	Self-locking nut M6	4	
6	080341	H.V. cable	2	
7	641725	HV terminal	2	
8	641040	Insulating cap	2	
9	CM0074D0	Sheath D.8-S.0,5-L.370	1	
10	CM0074C9	Grey cable casing D.8-S.0,5-L.435	1	
11	2D000005	Spark plug cap	2	
11	2D000247	Sparkplug cap	1	
12	887481	Spark plug NGK CPR8EB-9	2	
13	887948	Diode	1	
14	832029	Encoder sensor	1	
15	GU98682212	Hex socket screw M5x12	2	
16	GU95008205	Washer 5,3x10x0,8	2	
17	GU90706141	O-ring	1	
18	AP8120416	Black hose 178x4	1	
19	GU49609601	Hose clamp 2,4x92	1	
20	GU14609650	Hose clamp 3,6x20,6	31	
21	2D000207	HT wire L=470	1	
22	2D000206	HT wire L=580	1	

<b>Group</b>	FRAME
<b>Code</b>	33.31
<b>Description</b>	Electrical system II
<b>Service</b>	1

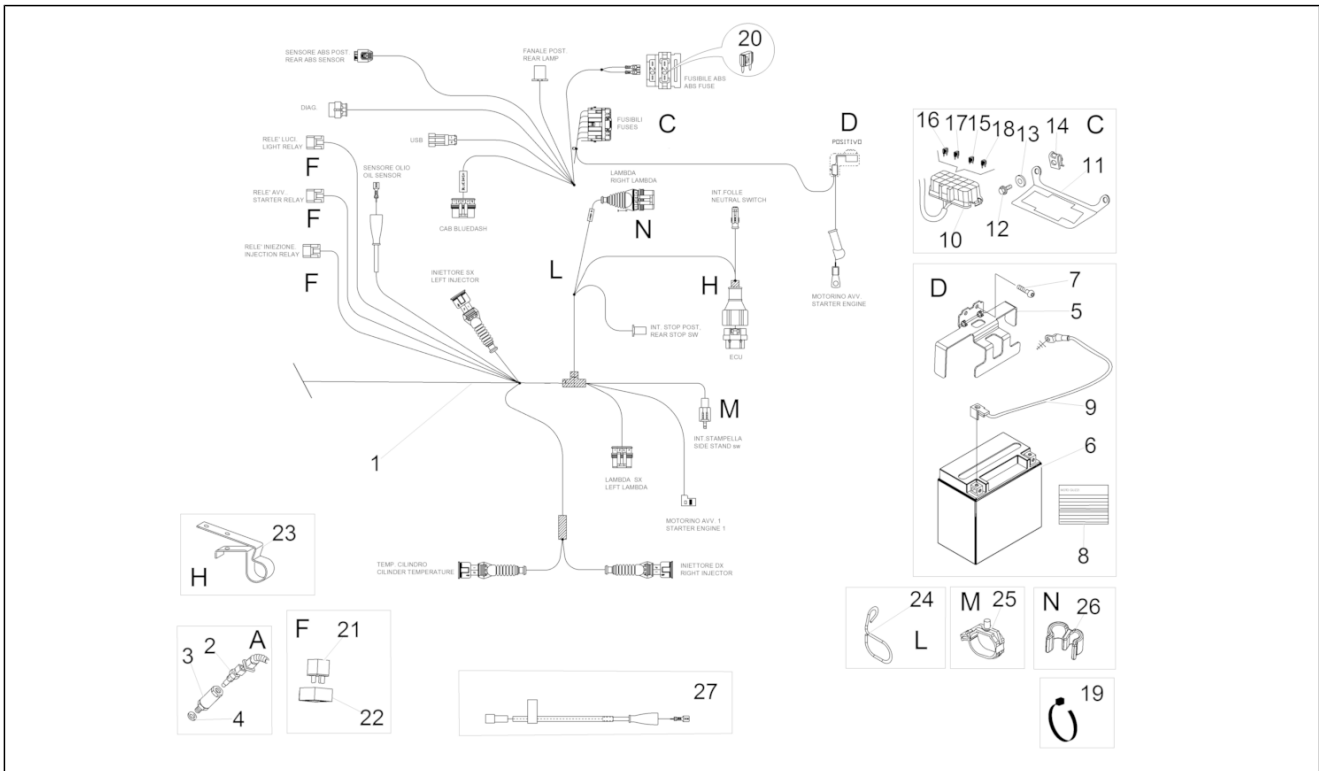


Pos.	Code	Description	Qty	Variants
1	2D000108	Main wiring harness	1	
2	GU29729461	Oil temperature sensor	1	
3	GU03163330	Sensor support	1	
4	GU95008210	Washer 10,2X18X2	4	
5	B063233	Battery bracket	1	
6	638733	Battery Yuasa 12V-12Ah (150x85x145)	1	
7	AP8152282	Screw w/ flange M6x35	2	
8	GU32517710	Decal "Battery service"	1	
9	GU32747910	Ground-battery lead	1	
10	584211	Fuse holder box	1	
11	883161	Fuse block support	1	
12	GU98682212	Hex socket screw M5x12	2	
13	GU95100059	Washer 5,25x14x1,5	2	
14	AP8102375	Clip m5	2	
15	CM225705	Fuse 5A	2	
16	CM225710	Fuse 10A	1	
17	CM225715	Fuse 15A	2	
18	CM225730	Fuse 30A	1	
19	AP8120416	Black hose 178x4	1	
19	GU14609650	Hose clamp 3,6x20,6	21	
19	GU49609601	Hose clamp 2,4x92	1	
20	CM225720	Fuse 20A	1	
21	AP8224462	Relay 12V-30A	3	
22	AP8220283	Rubber spacer *	3	
23	B043850	Hose clamp	1	
24	AP8181140	Fairlead	1	
25	CM013202	Pipes/cables retainer spring	1	
26	894704	Fairlead	1	



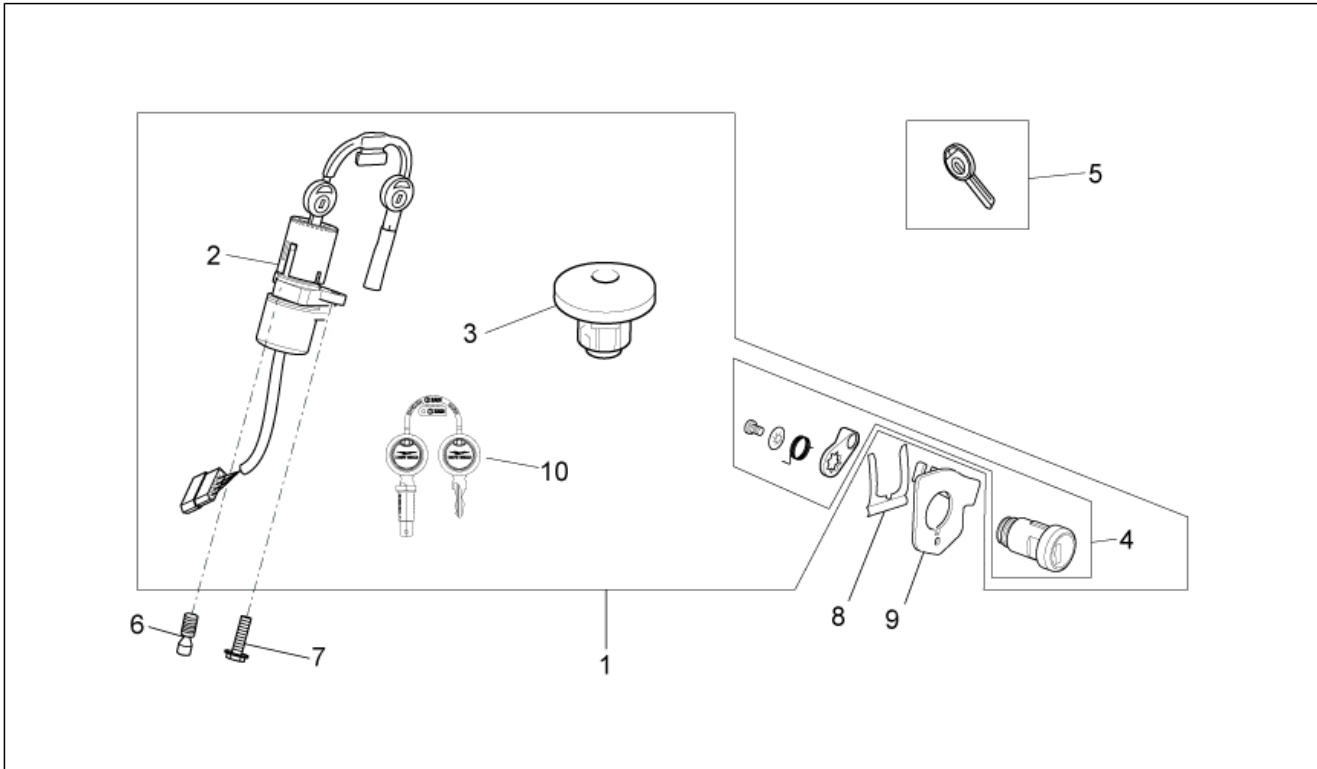


<b>Group</b>	FRAME
<b>Code</b>	33.31
<b>Description</b>	Electrical system II
<b>Service</b>	1



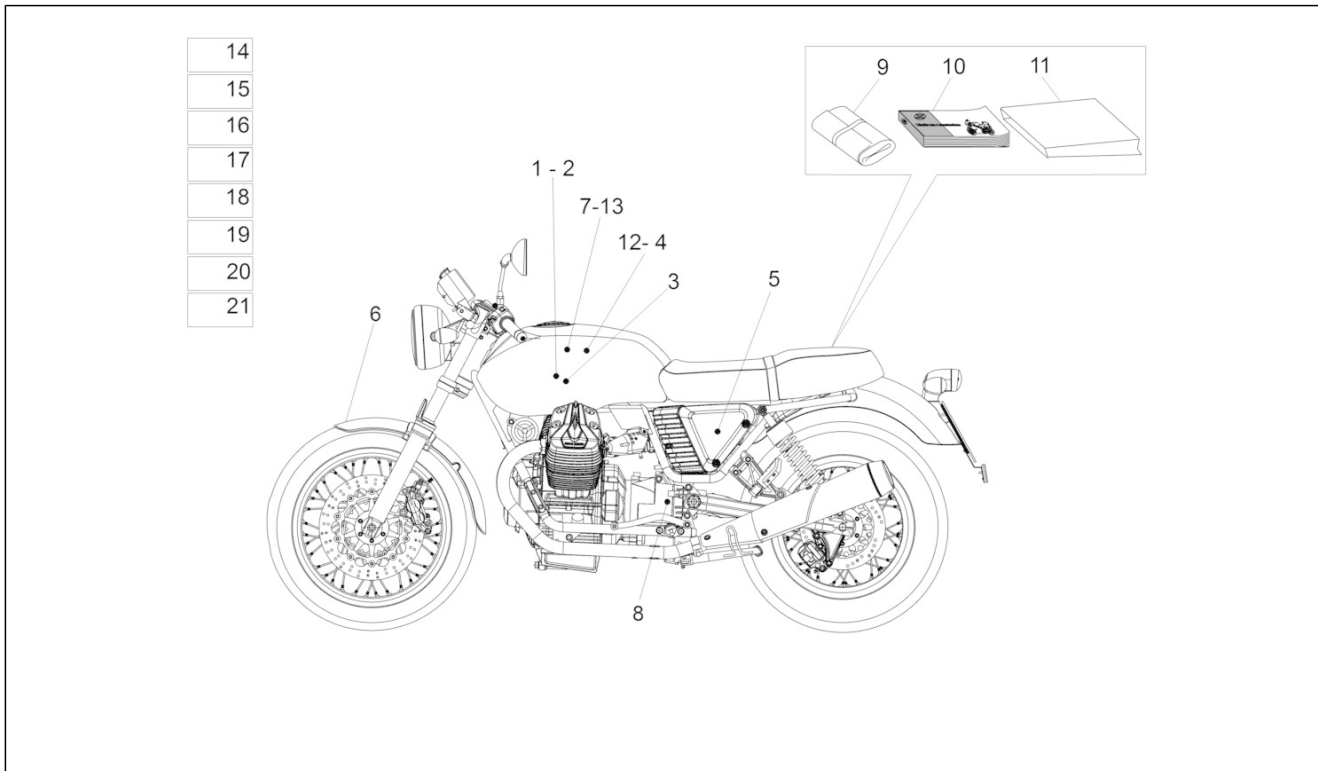
Pos.	Code	Description	Qty	Variants
27	2D000202	Oil pressure wiring	1	Country:

<b>Group</b>	FRAME
<b>Code</b>	33.32
<b>Description</b>	Lock hardware kit
<b>Service</b>	1



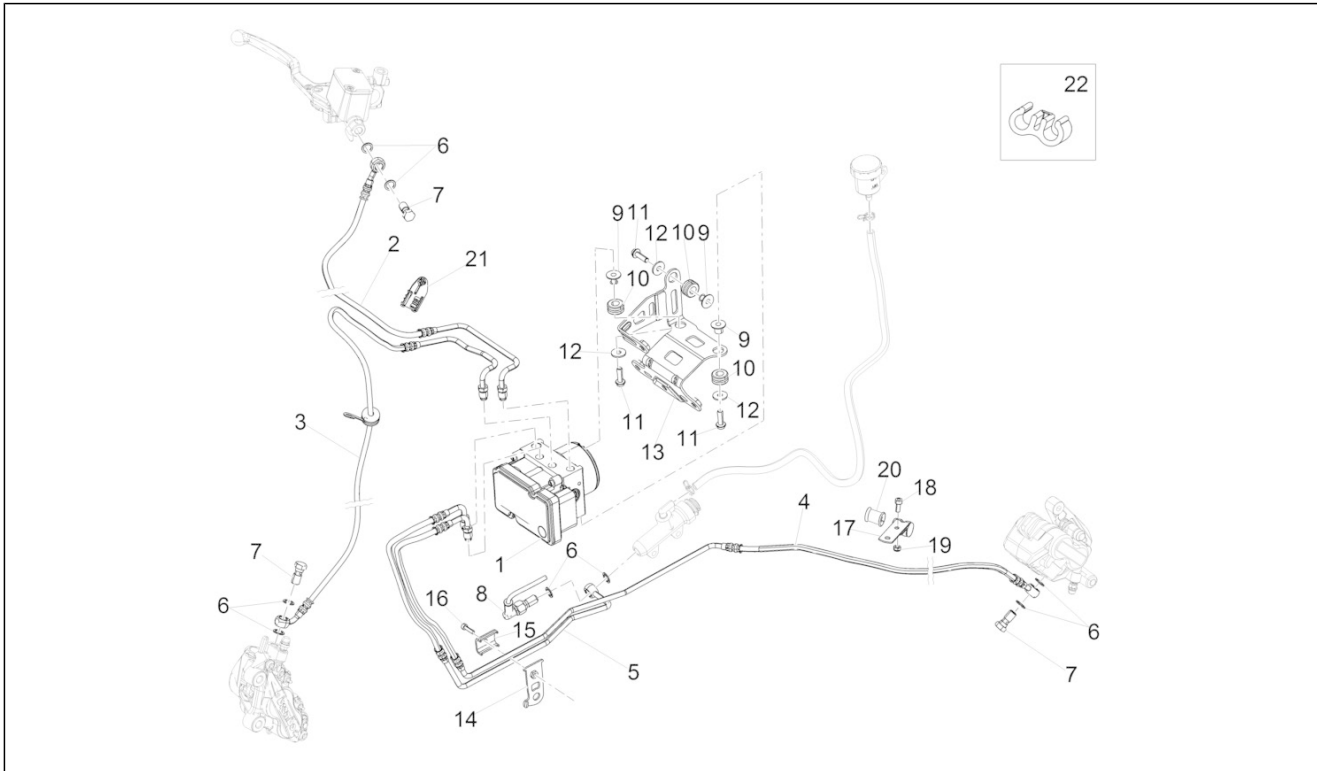
Pos.	Code	Description	Qty	Variants
1	883477	Lock kit	1	
2	GU32782510	Ignition lock with key	1	
3	883476	Tank cap	1	
4	977527	Locking complete with keys	1	
5	GU32735510	Non indent.key blank-shell go	1	
6	AP8150349	Special screw M8x15	1	
7	GU98682416	Hex socket screw M8x16	1	
8	AP8121420	Fork spring	1	
9	978415	Cable fixing plate	1	
10	2D000006	Locking cylinder with key for fuel cap	1	

<b>Group</b>	FRAME
<b>Code</b>	33.33
<b>Description</b>	Decal and plate set
<b>Service</b>	1



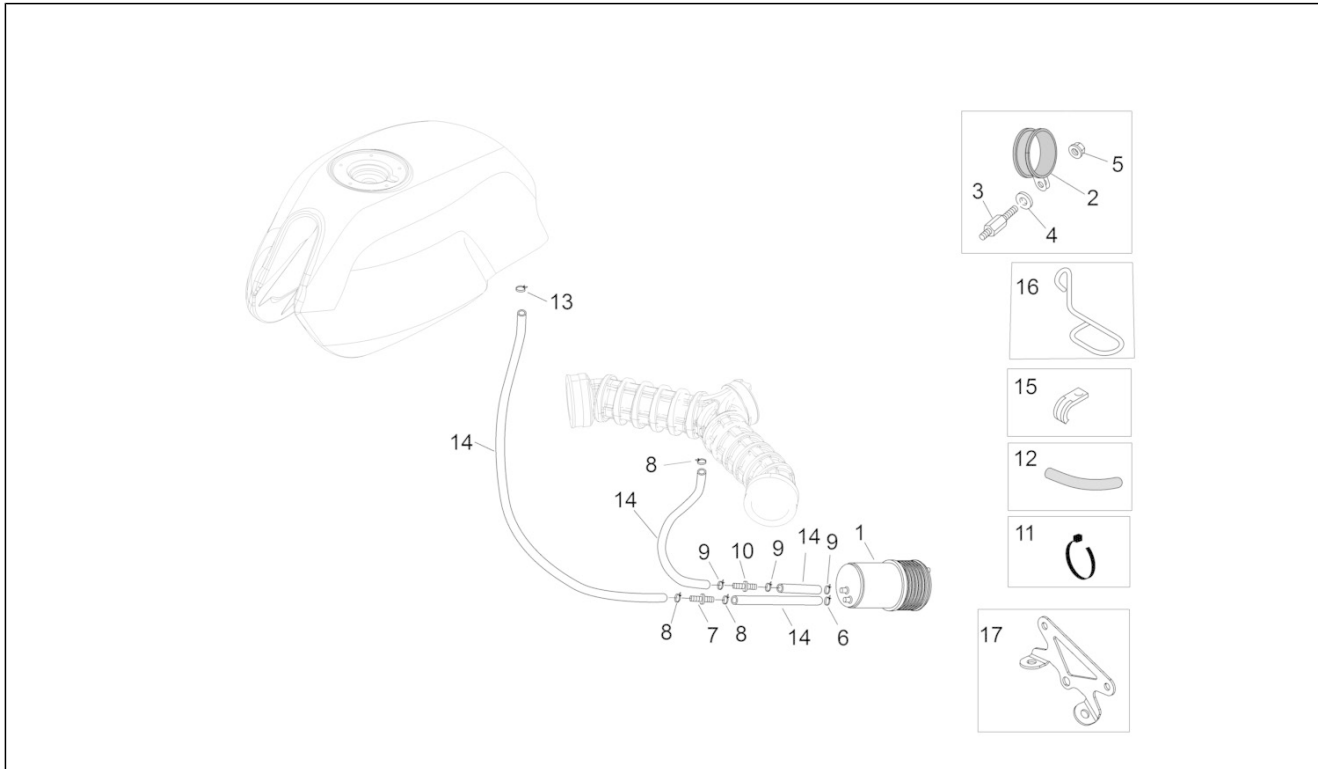
Pos.	Code	Description	Qty	Variants
1	886340	Name plate Aquila	1	
2	887930	LH Name plate Aquila	1	
3	887931	Name plate "Moto Guzzi"	2	
4	2H000025	Tank right rear band decal	1	Vehicle colour:Competition Black[nc]
4	2H000661	Tank right rear band decal	1	Vehicle colour:Vieste blue[az], Daytona red[rd]
5	2H000725	RH-LH plate	1	
6	886141	Decal "Aquila"	1	
7	2H000023	Tank right front band decal	1	Vehicle colour:Competition Black[nc]
7	2H000659	Tank right front band decal	1	Vehicle colour:Vieste blue[az], Daytona red[rd]
8	895839	""Eni"" label"	2	
9	887443	Toolkit	1	
10	2Q000057	Operator's handbook ENUS-FR-ES-IT	1	
11	GU05900130	Bag for document	2	
12	2H000026	Tank left rear band decal	1	Vehicle colour:Competition Black[nc]
12	2H000662	Tank left rear band decal	1	Vehicle colour:Vieste blue[az], Daytona red[rd]
13	2H000024	Tank left front band decal	1	Vehicle colour:Competition Black[nc]
13	2H000660	Tank left front band decal	1	Vehicle colour:Vieste blue[az], Daytona red[rd]
14	B045974	Fuel decal E15	1	
15	2G000072	Noise emission sticker	1	
16	2G000076	Tyre pressure decal	1	
17	2G000073	Emission control sticker	1	
18	AP8257794	Battery decal	1	
19	2G000074	Shed scheme decal	1	
20	AP8257609	Mirror decal	1	
21	AP8157100	Decal Shock Adsorber	1	

<b>Group</b>	FRAME
<b>Code</b>	33.36
<b>Description</b>	ABS Brake system
<b>Service</b>	1



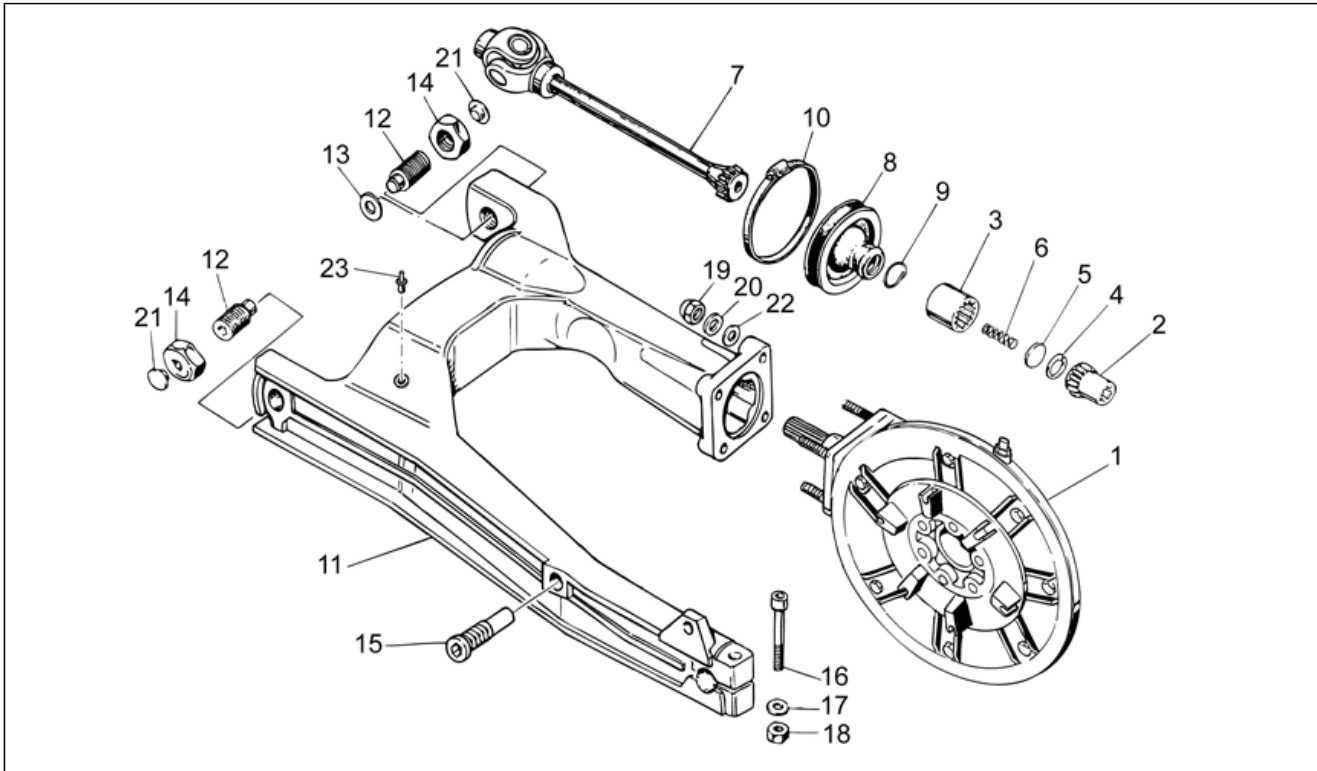
Pos.	Code	Description	Qty	Variants
1	2D000102	ABS control unit	1	
2	2B001557	ABS control unit front pump pipe	1	
3	2B001558	ABS control unit front clamp pipe	1	
4	2B001556	ABS control unit rear clamp pipe	1	
5	2B001555	ABS control unit rear pump pipe	1	
6	AP8113004	Washer 10x14x1,6*	8	
7	AP8113003	Oil pipe screw	4	
8	854973	Stop switch	1	
9	AP8221023	T bush	3	
10	AP8120030	Rubber spacer	3	
11	AP8152279	Screw w/ flange M6x20	3	
12	AP8150015	Washer 6,6x18x1,6*	3	
13	2B001016	ABS control unit support	1	
14	2B001564	Brake hose holder plate	1	
15	2B001614	Pipe fixing plate	1	
16	959559	Hex socket screw M4x16	1	
17	GU03658330	Hose clamp	1	
18	895709	Hex socket screw M5x12	1	
19	AP8150451	Low self-locking nut	1	
20	GU03658201	Ring	1	
21	2B001570	Brake hose holder plate	1	
22	2B000276	Staple	2	

<b>Group</b>	FRAME
<b>Code</b>	33.48
<b>Description</b>	Fuel vapour recover system
<b>Service</b>	1



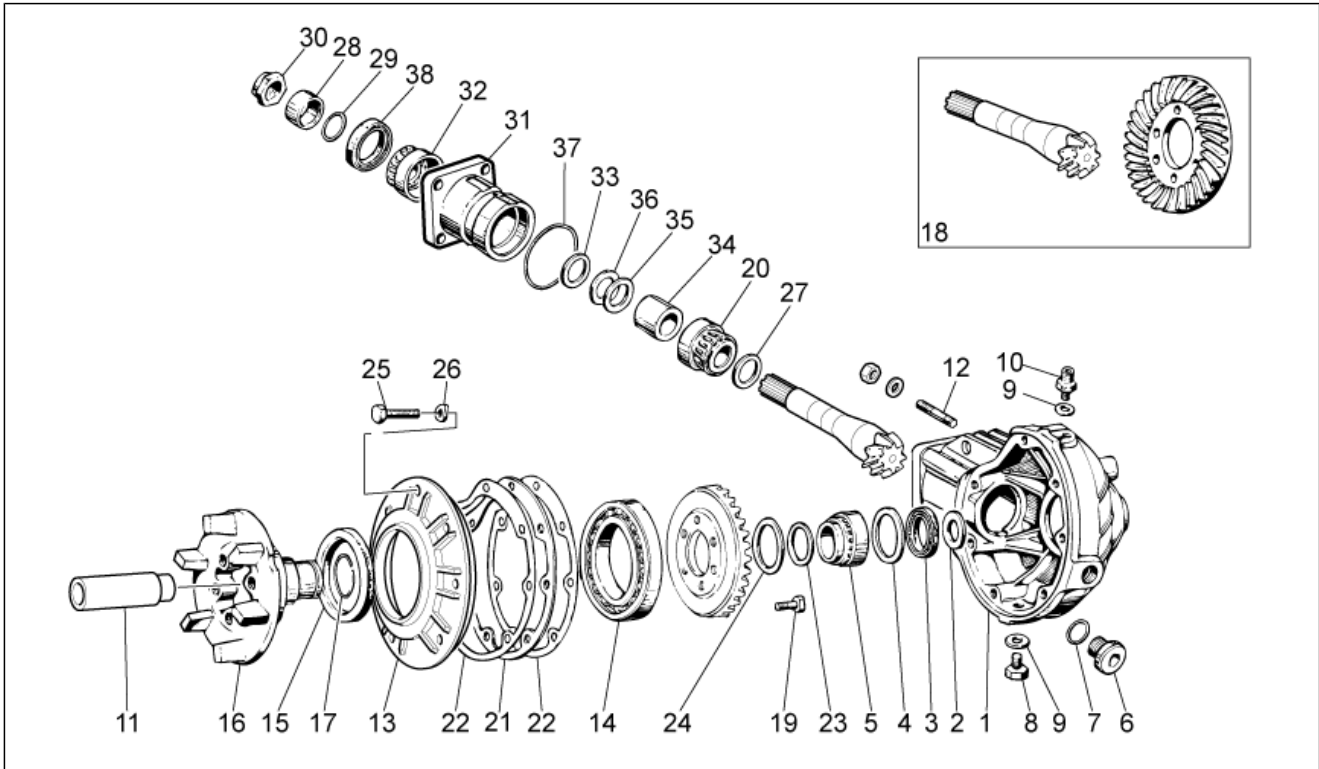
Pos.	Code	Description	Qty	Variants
1	AP8102678	Carbon filter	1	
2	AP8102688	Hose clamp d.76	1	
3	GU32439260	Canister support USA	1	
4	GU95005311	Washer	1	
5	AP8152299	Self-locking nut M6	1	
6	AP8102159	Hose clamp	1	
7	860138	Valve	1	
8	GU28157950	Hose clip 12,5x8	4	
9	AP8120446	Hose clip, green D11x6,6x1	2	
10	AP8121267	Choke hold	1	
11	AP8120416	Black hose 178x4	1	
12	GU00823923140	Thermal sheath	4	
13	AP8201358	Hose clamp D 11,9	1	
14	856063	pipe SAE 30 d.12,7x6,35	3	
15	GU93301313	U-bolt	1	
16	AP8221114	Cable-guide	2	
17	2B002261	Canister support	1	

<b>Group</b>	ENGINE
<b>Code</b>	34.09
<b>Description</b>	Transmission complete I
<b>Service</b>	1



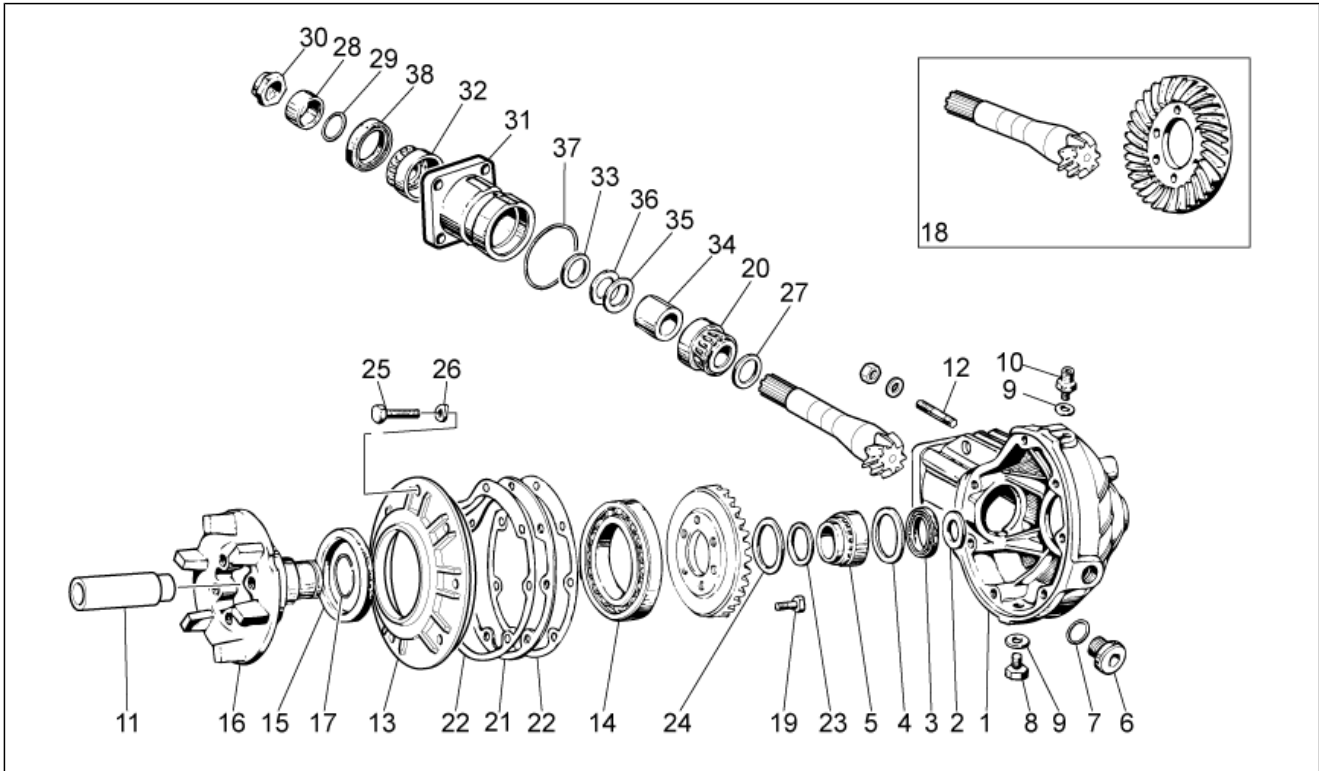
Pos.	Code	Description	Qty	Variants
1	976941	Transmission box assy., black	1	
2	GU31327783	Hose	1	
3	GU19328801	Hose	1	
4	GU90272023	Circlip	1	
5	GU19327601	Disc	1	
6	GU94321099	Spring	1	
7	GU23328081	Coupling	1	
8	GU23548080	Protection collar	1	
9	GU23548180	Spring	1	
10	AP8120246	Hose clamp D=60-80	1	
11	2B001959	Swing arm, black	1	
12	GU19547000	Pin	2	
13	GU35214300	Spacer	1	
14	GU31547882	Nut	2	
15	GU31544181	Pin	1	
16	GU98680545	screw M10x45	1	
17	GU95008210	Washer 10,2X18X2	1	
18	GU92606210	Nut M10x1,5	1	
19	860651	Cap nut M8x1,25	4	
20	GU14615901	Washer 8,4X13X0,8	4	
21	GU93180105	Cover	2	
22	GU95005308	Washer 8,4x14,57x1,6	4	
23	GU03922280	Cover 5x9	1	

<b>Group</b>	ENGINE
<b>Code</b>	34.10
<b>Description</b>	Transmission complete II
<b>Service</b>	1



Pos.	Code	Description	Qty	Variants
1	976608	Transmission housingblack	1	
2	GU19351900	Clearance washer	1	
3	GU90403549	Gasket ring 35x47x7	1	
4	GU19351100	Clearance washer	1	
5	GU92252235	Roller bearing 35x50x17	1	
6	GU12022600	Oil plug	1	
7	GU90706203	O-ring 20,24x2,62	1	
8	GU31003766	Oil unload plug M10x1	1	
9	GU01528930	Gasket 10x18x1,5	2	
10	GU19206501	Breather plug	1	
11	GU32633560	Spacer	1	
12	GU96508055	Stud bolt	4	
13	GU32350410	Cover	1	
14	GU92201070	Ball bearing 70x110x13	1	
15	GU90407591	Gasket ring 75x95x10	1	
16	GU32351410	Pin	1	
17	GU90353030	Stop ring	1	
18	GU32354610	Bevel gear 8/33	1	
19	GU03067730	screw M8x25	6	
20	GU92249227	Tap.roller bearing 25x5	1	
21	2B002318	Spacer 0,2 mm	1	
21	2B002319	Spacer 0,3 mm	1	
21	2B002320	Spacer 0,4 mm	1	
21	2B002424	Spacer 0,5 mm	1	
21	2B002425	Spacer 0,6 mm	1	
21	2B002426	Spacer 0,7 mm	1	
21	GU19355400	Spacer 0,8 mm	1	
21	GU19355402	Spacer 0,9 mm	1	

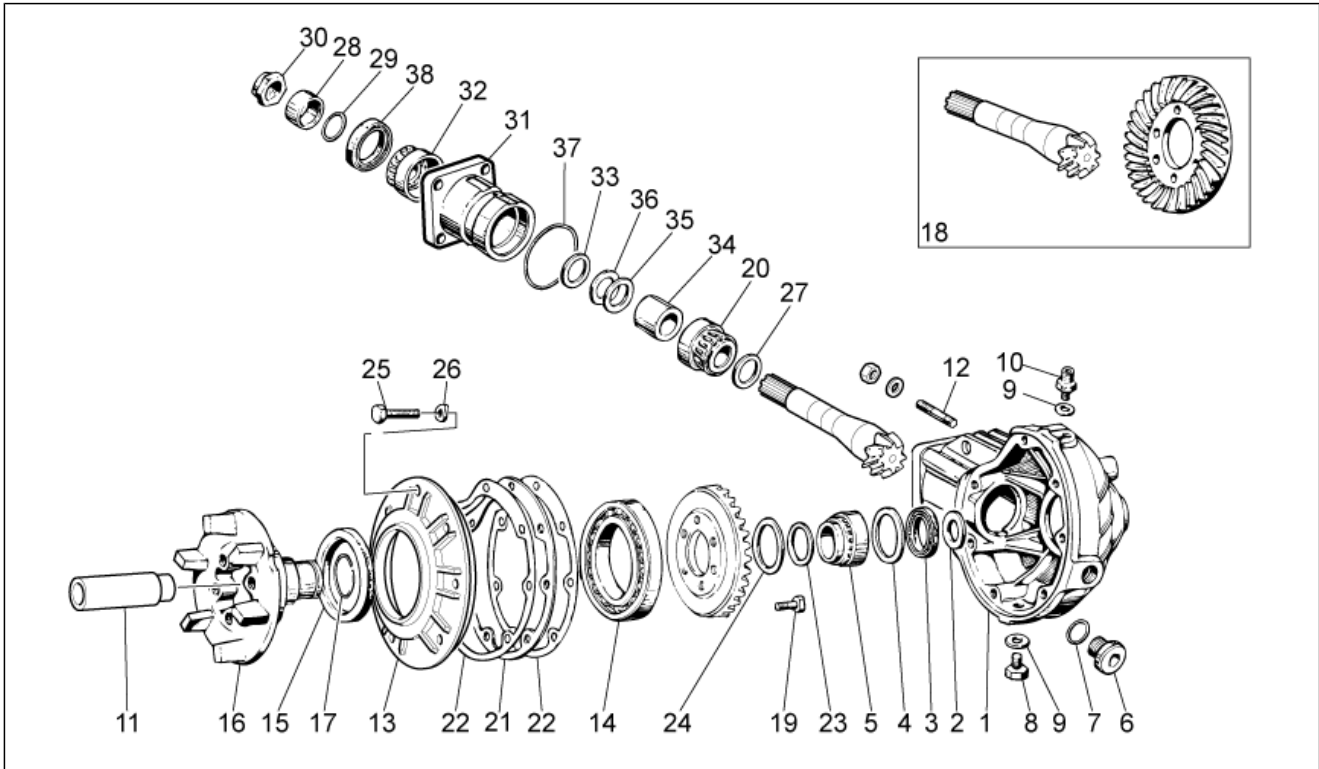
<b>Group</b>	ENGINE
<b>Code</b>	34.10
<b>Description</b>	Transmission complete II
<b>Service</b>	1



Pos.	Code	Description	Qty	Variants
21	GU19355404	Spacer 1 mm	1	
21	GU19355406	Spacer 1,1 mm	1	
21	GU19355408	Spacer 1,2 mm	1	
21	GU19355410	Spacer 1,3 mm	1	
21	GU19355411	Spacer 1,4 mm	1	
21	GU19355412	Spacer 1,5 mm	1	
21	GU19355413	Spacer 1,6 mm	1	
22	2A000382	Gasket	2	
22	GU19350700	Gasket	2	
23	GU19352300	Thrust washer	1	
24	GU19353500	Thrust washer	1	
25	GU19357660	screw	7	
26	GU61270300	Spring washer 8x15x0,3	7	
27	GU19355320	Spacer 1 mm	1	
27	GU19355321	Spacer 1,1 mm	1	
27	GU19355322	Spacer 1,2 mm	1	
27	GU19355323	Spacer 1,3 mm	1	
27	GU19355324	Spacer 1,4 mm	1	
27	GU19355325	Spacer 1,5 mm	1	
27	GU19355326	Spacer 1,6 mm	1	
27	GU19355327	Spacer 1,7 mm	1	
27	GU19355328	Spacer 1,8 mm	1	
27	GU19355329	Spacer 1,9 mm	1	
28	GU19356801	Spacer	1	
29	GU90706188	Gasket ring 18,77X1,78	1	
30	GU19356700	Nut	1	
31	GU20352421	Flange	1	
32	GU92249220	Roller bearing 20x47x14	1	

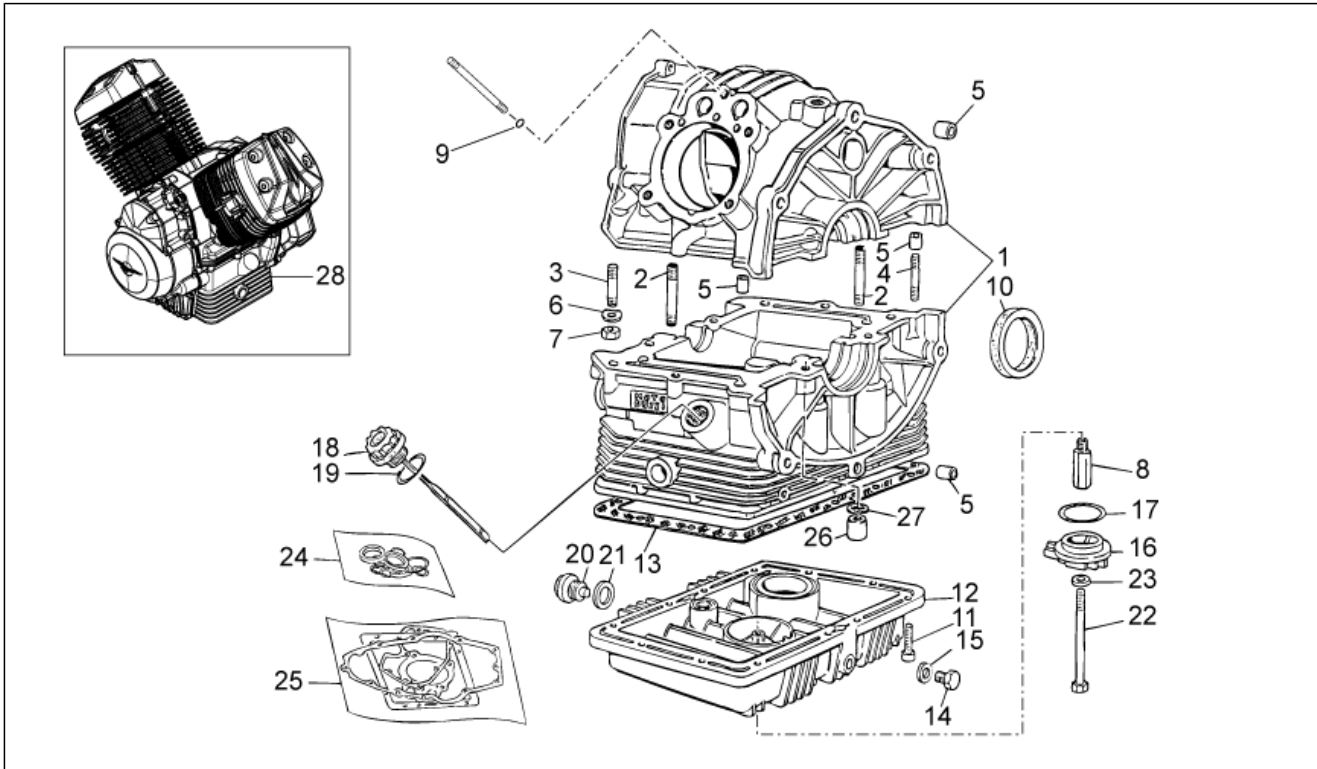


<b>Group</b>	ENGINE
<b>Code</b>	34.10
<b>Description</b>	Transmission complete II
<b>Service</b>	1



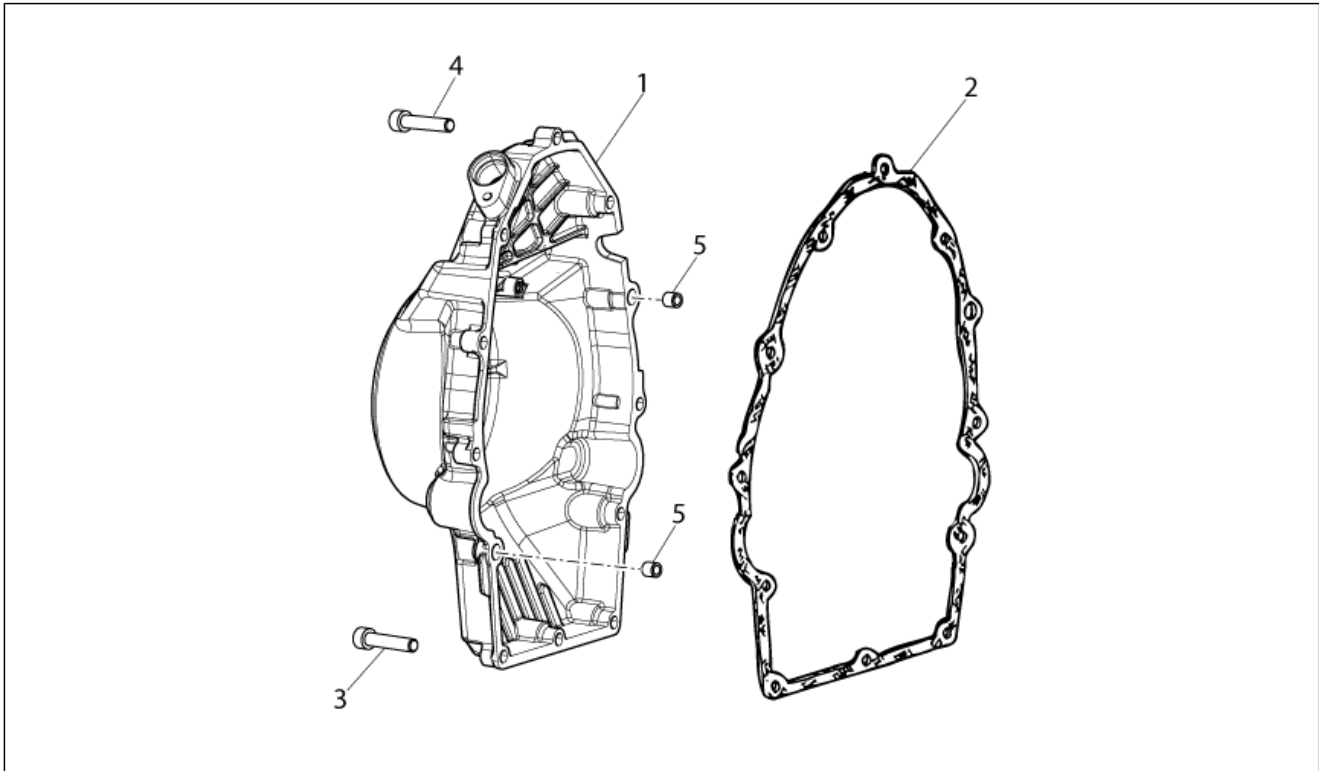
Pos.	Code	Description	Qty	Variants
33	GU19355300	Spacer 1 mm	1	
33	GU19355301	Spacer 1,1 mm	1	
33	GU19355302	Spacer 1,2 mm	1	
33	GU19355303	Spacer 1,3 mm	1	
33	GU19355304	Spacer 1,4 mm	1	
33	GU19355305	Spacer 1,5 mm	1	
33	GU19355306	Spacer 1,6 mm	1	
33	GU19355307	Spacer 1,7 mm	1	
33	GU19355308	Spacer 1,8 mm	1	
33	GU19355309	Spacer 1,9 mm	1	
34	GU20355121	Spacer	1	
35	GU19355200	Shim 0,1 mm	1	
36	GU19355202	Shim 0,15 mm	1	
	GU90706584	Gasket 58,42x2,62	1	
38	GU90403251	Gasket ring 32x47x10	1	

<b>Group</b>	ENGINE
<b>Code</b>	34.34
<b>Description</b>	Crank-case
<b>Service</b>	1



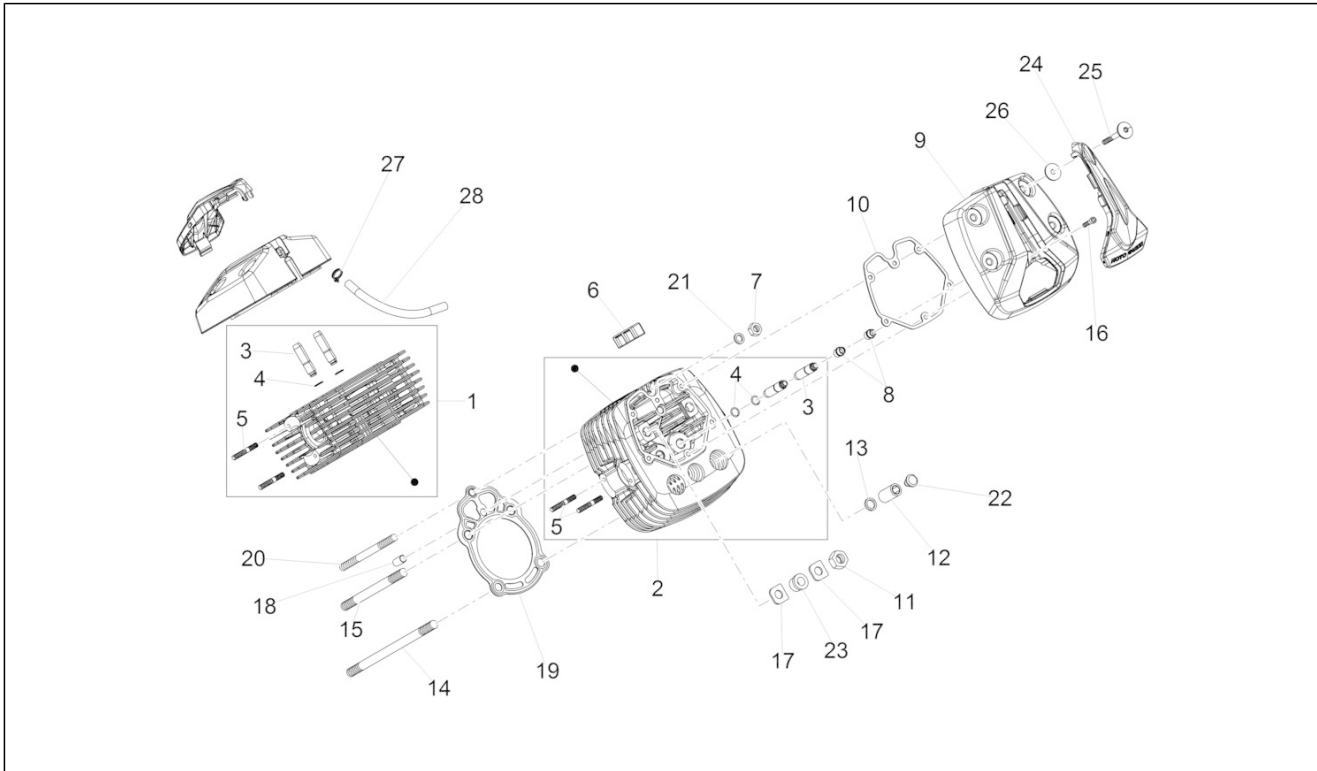
Pos.	Code	Description	Qty	Variants
1	2A0002355	Crankcase assy	1	
2	GU96451560	Stud bolt	4	
3	GU96451430	Stud bolt	4	
4	GU96508055	Stud bolt	2	
5	GU19015020	Bushing	4	
6	GU61270300	Spring washer 8x15x0,3	6	
7	GU92606208	Nut M8x1,25	6	
8	GU19003800	Joint	1	
9	GU90706076	O-ring	2	
10	886365	Gasket ring	1	
11	GU98682325	Hex socket screw M6x25	12	
12	976604	Oil sump black	1	
13	887004	Sump gasket	1	
14	GU31003766	Oil unload plug M10x1	1	
15	GU10528900	Gasket	1	
16	976685	Plug	1	
17	GU90706444	O-ring	1	
18	883826	Oil load plug	1	
19	GU90706281	O-ring 28,24x2,62	1	
20	GU12003702	Oil unload plug	1	
21	GU95100709	Gasket 20,1x28x2	1	
22	GU27152885	Bolt	1	
23	GU12154200	Gasket 8,25x15x1	1	
24	GU32999510	Oil seals - set	1	
25	GU32999010	Gasket set	1	
26	GU13021900	Column nut	4	
27	GU95129180	Washer 10,5X18X0,8	4	
28	2L0002405	Engine assy w/hout transm.	1	

<b>Group</b>	ENGINE
<b>Code</b>	34.35
<b>Description</b>	Timing system cover
<b>Service</b>	1



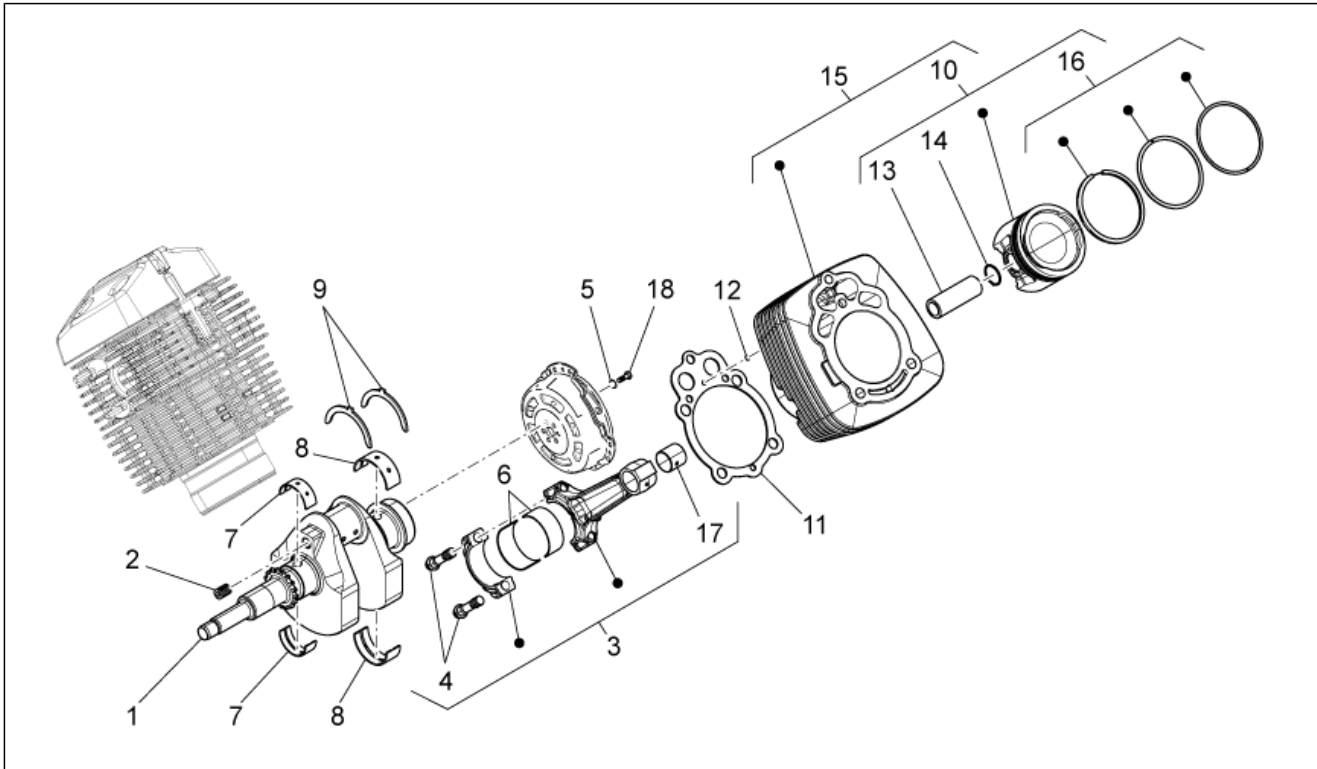
Pos.	Code	Description	Qty	Variants
1	2A000085	Cover	1	
2	887003	Cover gasket	1	
3	GU98682325	Hex socket screw M6x25	10	
4	GU98682330	Hex socket screw M6x20	2	
5	GU19002020	Bushing 6,6x9x13	2	

<b>Group</b>	ENGINE
<b>Code</b>	34.36
<b>Description</b>	Cylinder head
<b>Service</b>	1



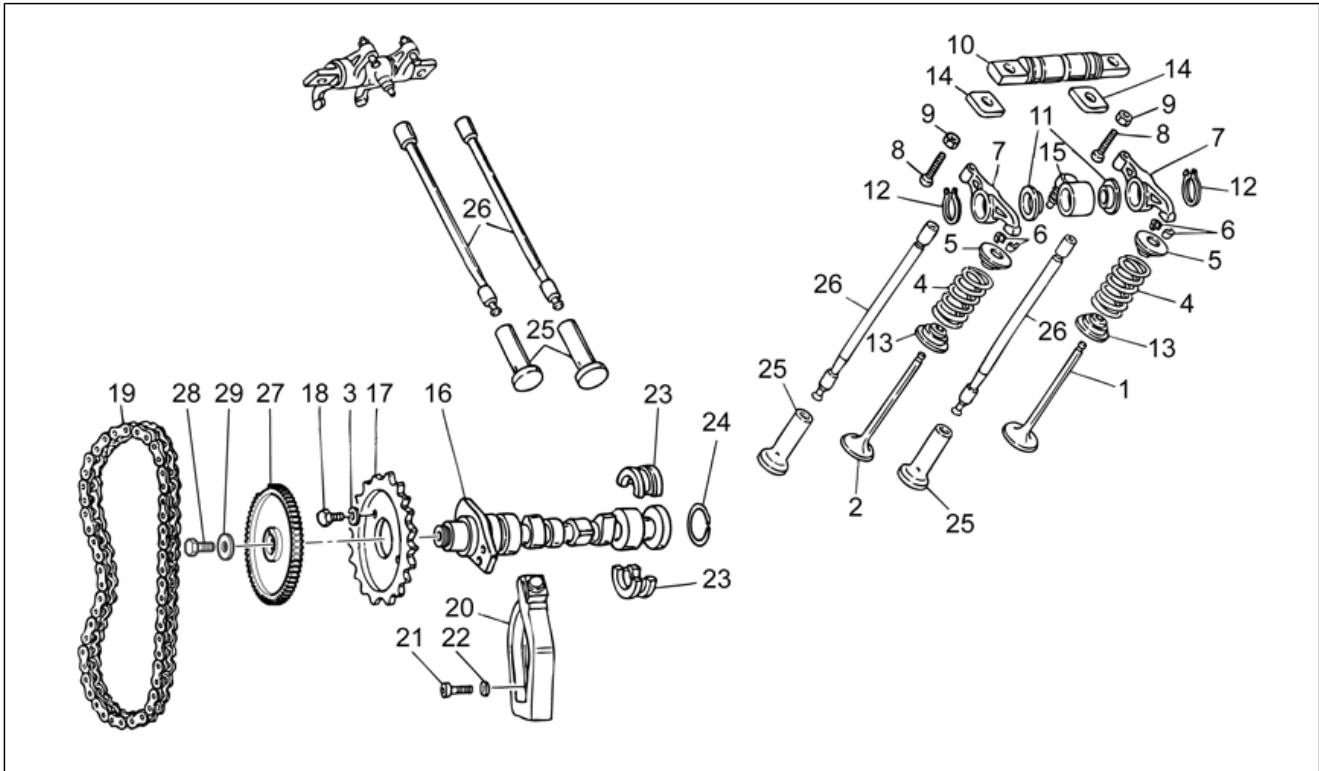
Pos.	Code	Description	Qty	Variants
1	8872724	RH head	1	
2	8872754	LH head	1	
3	GU61036801	Valve guide	4	
4	GU90353009	Snap ring	4	
5	GU96506042	Stud bolt	4	
6	B063111	Damping plug	4	
7	GU19021920	Nut	2	
8	GU19037820	Oil seal	4	
9	887523	Head cover	2	
10	887002	Head cover gasket	2	
11	GU92603010	Nut M10X1,5	4	
12	GU13021900	Column nut	4	
13	GU95129180	Washer 10,5X18X0,8	4	
14	GU96510214	Stud bolt M10x214	4	
15	GU96510181	Stud bolt M10x182	4	
16	GU98692325	Hex socket screw M6x25	4	
17	GU19032980	Spacer	8	
18	GU19021360	Bushing	2	
19	B063099	Cylinder head gasket	2	
20	976898	Stud bolt M8x140	2	
21	GU61270300	Spring washer 8x15x0,3	2	
22	GU93180245	Cover	4	
23	AP8144071	Rubber exhaust	1	
24	887279	Spark plug cover	2	
25	887483	Head cover screw M6x52.5	8	
26	969973	Washer	8	
27	AP8201358	Hose clamp D 11,9	1	
28	2B001204	Blow-by pipe	1	

<b>Group</b>	ENGINE
<b>Code</b>	34.37
<b>Description</b>	Crankshaft cpl.
<b>Service</b>	1



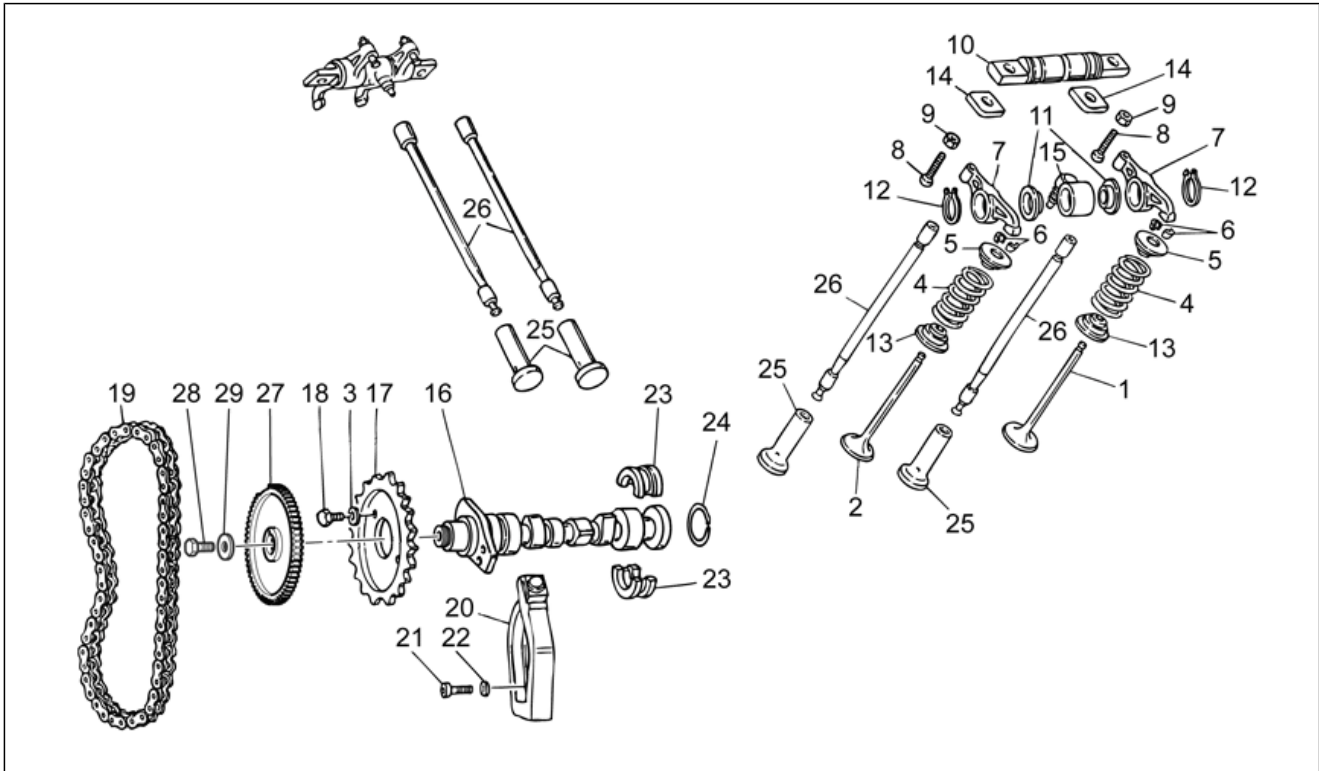
Pos.	Code	Description	Qty	Variants
1	2A0000995	Drive shaft	1	
2	GU19065400	Cover	1	
3	GU27061585	Connecting rod cpl.	2	
4	GU19062261	screw	4	
5	GU14615901	Washer 8,4X13X0,8	6	
6	GU27062060	Bearing half-shell	4	
7	GU27065660	Front main half-bearing	2	
8	GU27066560	Rear main half-bearing	2	
9	GU27066460	Half-clamp	2	
10	8872690001	Piston complete with 80 Cat. D	1	
10	8872690002	Piston complete with 80 Cat. E	1	
10	8872690003	Piston complete with 80 Cat. F	1	
11	886670	Cylinder gasket	2	
12	GU61027200	O-ring	2	
13	B063016	Piston pin	2	
14	874567	Stop ring	4	
15	B063465	Cylinder with piston	2	
16	B063466	Pistonring set	2	
17	GU27061885	Bushing	2	
18	GU19067700	screw	6	

<b>Group</b>	ENGINE
<b>Code</b>	34.38
<b>Description</b>	Timing system
<b>Service</b>	1



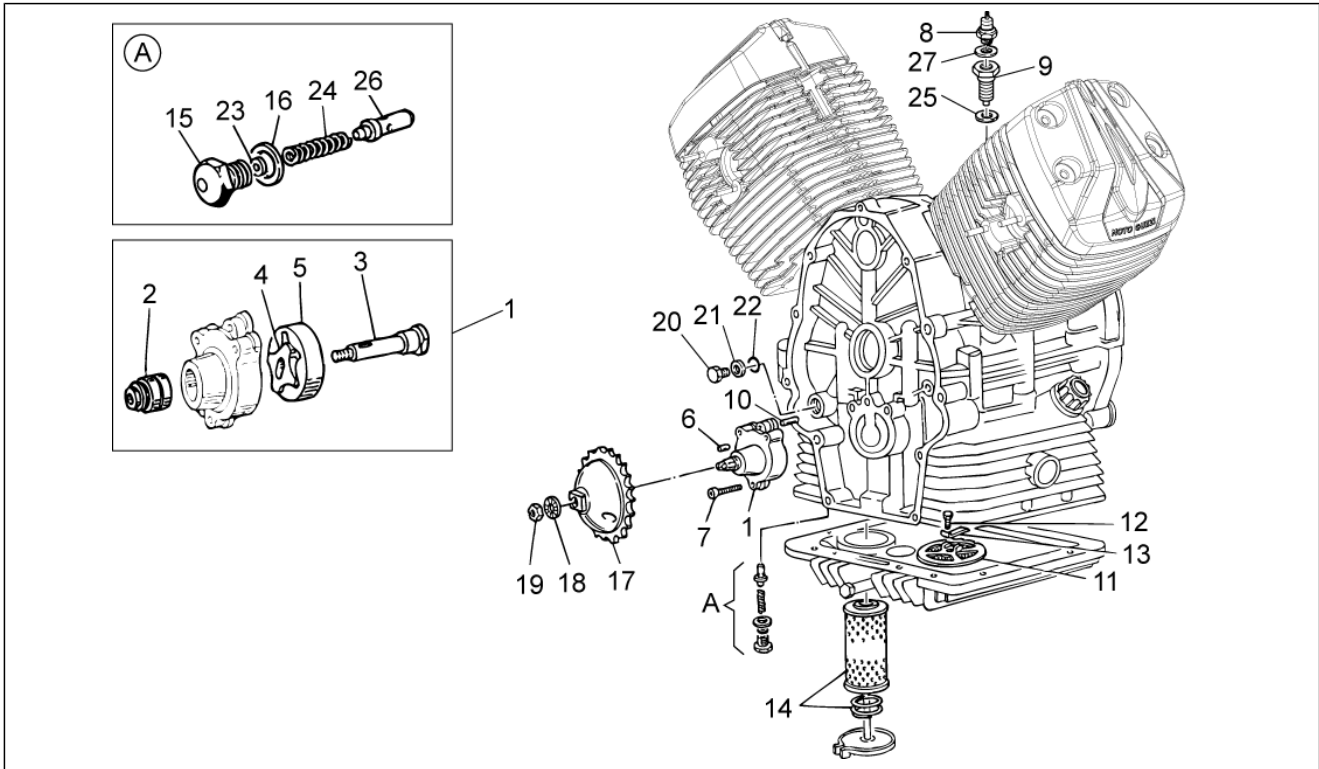
Pos.	Code	Description	Qty	Variants
1	2A000146	Valve, in	2	
2	2A000147	Exhaust valve	2	
3	GU23217800	Safety washer	2	
4	GU27037521	Spring	4	
5	GU31038015	Upper cup	4	
6	GU61038100	Half-cone	8	
7	GU19030500	Rocker arm assy.	4	
8	GU19034000	screw	4	
9	GU92602406	Nut M6x1	4	
10	GU19032080	Rocker shaft	2	
11	GU32032310	Thrust washer	4	
12	GU90271018	Circlip	4	
13	GU31037015	Lower cup	4	
14	GU19032980	Spacer	4	
15	GU19027500	Hose	2	
16	GU32053410	Camshaft	1	
17	GU32054510	Timing system gear	1	
18	GU61054900	Bolt	2	
19	GU19058021	Camshaft chain	1	
20	GU19058220	Chain stretching drive	1	
21	GU98882316	screw	1	
22	GU95129115	Washer	1	
23	GU19055700	Sector	2	
24	GU90353029	Snap ring	1	
25	GU19045861	Tappet	4	
26	GU31045015	Rocker arm rod	4	
27	887528	Phonic wheel	1	
28	GU98054422	screw M8x22	1	

<b>Group</b>	ENGINE
<b>Code</b>	34.38
<b>Description</b>	Timing system
<b>Service</b>	1



Pos.	Code	Description	Qty	Variants
29	GU95100244	Washer	1	

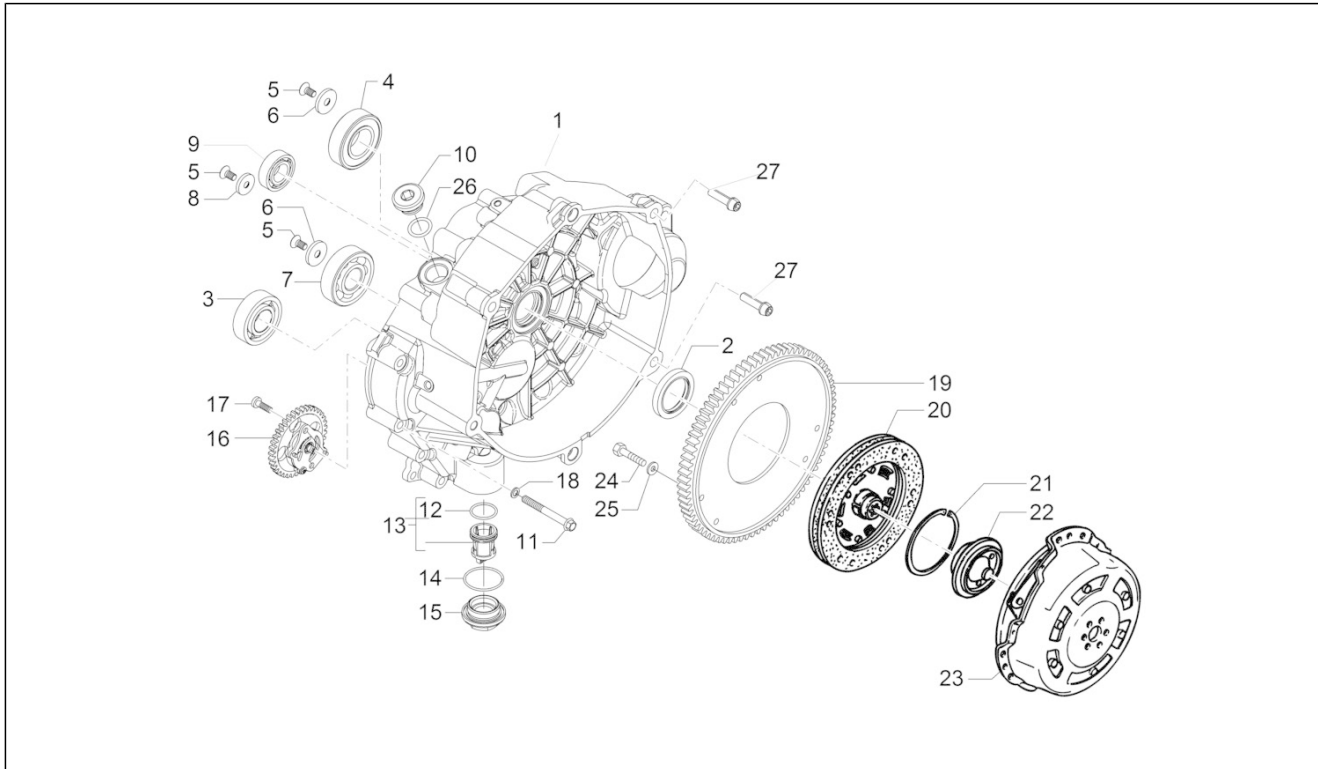
<b>Group</b>	ENGINE
<b>Code</b>	34.39
<b>Description</b>	Oil pump
<b>Service</b>	1



Pos.	Code	Description	Qty	Variants
1	GU19146422	Oil pump	1	
2	GU92252210	Roller bearing 10x22x20	1	
3	GU20147810	Oil pump shaft assy.	1	
4	GU20148410	Inner rotor	1	
5	GU20148610	Outer rotor	1	
6	GU92296723	Roller	1	
7	884039	Hex socket screw M6x35	3	
8	641541	Oil pressure sensor	1	
9	887093	Union	1	
10	GU19018920	Pin	2	
11	GU19152200	Oil filter	1	
12	GU98084314	Hex screw M6x14	1	
13	GU95187006	Plate	1	
14	GU27153085	Oil filter	1	
15	GU31159050	Cover	1	
16	GU18144350	Washer 18,25x24x1	3	
17	GU20147710	Pump gear	1	
18	AP8152220	Washer	1	
19	GU92602510	Nut M10x1,25	1	
20	GU31016050	Cover	1	
21	GU18161150	Gasket 14,25	1	
22	GU90706111	O-ring	1	
23	GU95008206	Washer 6,15x11x0,8	3	
24	GU94321079	Spring	1	
25	GU95100602	Gasket	1	
26	GU31159050	Piston	1	
27	GU95100309	Washer	1	

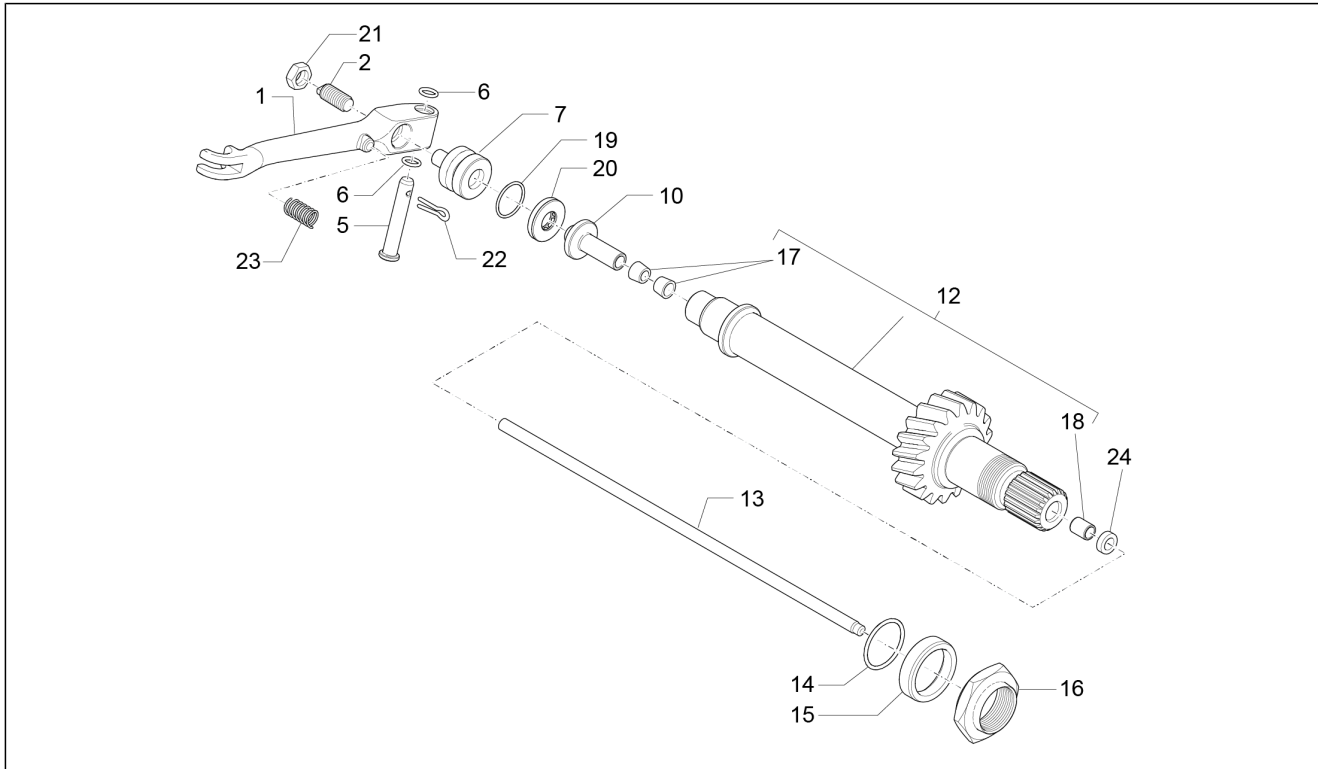


<b>Group</b>	ENGINE
<b>Code</b>	34.40
<b>Description</b>	Clutch I
<b>Service</b>	1



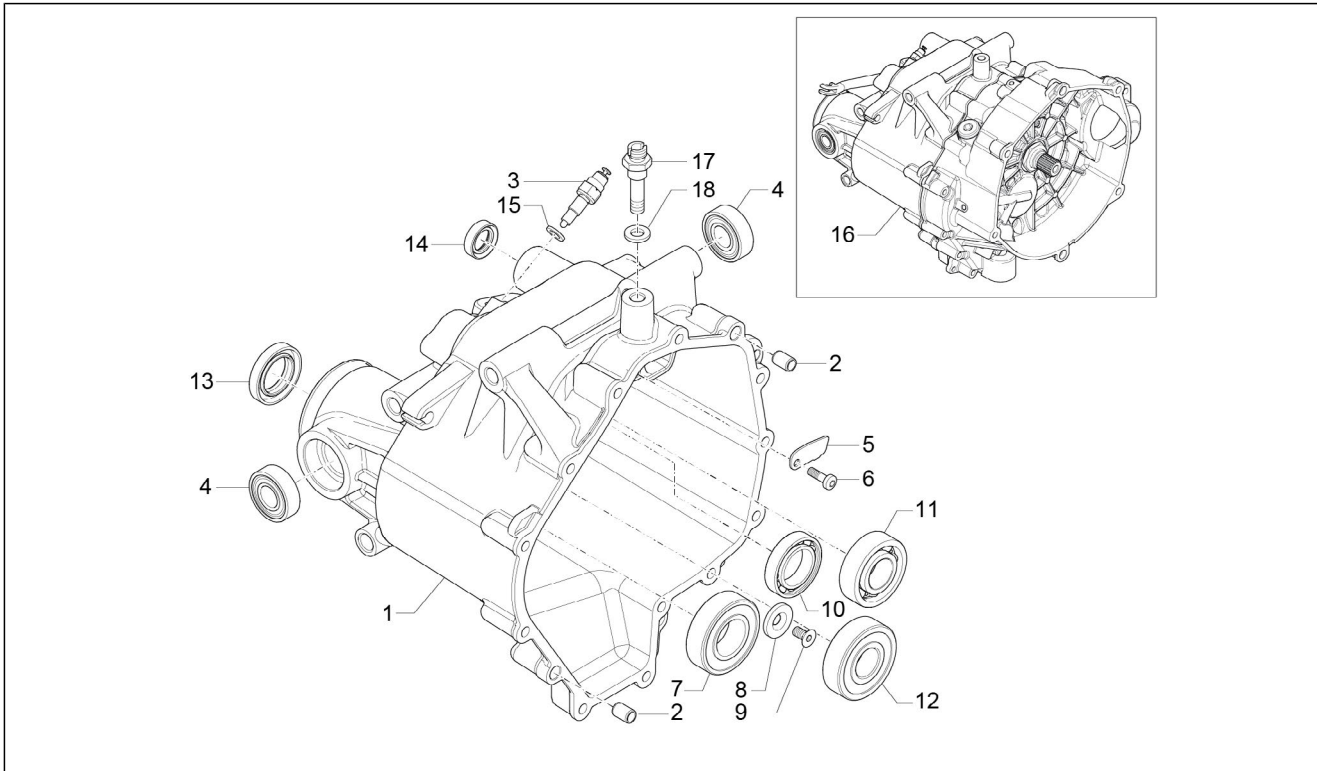
Pos.	Code	Description	Qty	Variants
1	2A0003794	Clutch drum	1	
2	886629	Gasket ring	1	
3	848650	Ball bearing 20x47x14	1	
4	GU92201226	Ball bearing 25x52x15	1	
5	B013608	Screw	4	
6	873928	Washer	3	
7	GU92201822	Ball bearing 20x52x15	1	
8	873905	Washer	1	
9	834764	Bearing	1	
10	GU12022600	Oil plug	1	
11	AP8150045	Hex socket screw M6x55	14	
12	B017406	O-ring 20.35x1.78	1	
13	B018020	Oil filter cpl.	1	
14	285536	O-ring 31,47x1,78	1	
15	B015598	Oil filter plug	1	
16	B018448	Oil pump assy.	1	
17	2A000241	Screw M5x16	2	
18	GU95008306	Washer 6,4x12x1,2	14	
19	GU32067910	Chain ring	1	
20	GU32084410	Driven clutch disc	1	
21	GU90272075	Snap ring	1	
22	GU19083462	New cup type	1	
23	GU32080310	Clutch	1	
24	884038	Hex screw M6x16	6	
25	GU14217901	Washer 6,4x10x0,7	6	
26	GU90706203	O-ring 20,24x2,62	1	
27	GU98680440	Hex socket screw M8x40	6	

<b>Group</b>	ENGINE
<b>Code</b>	34.41
<b>Description</b>	Clutch II
<b>Service</b>	1



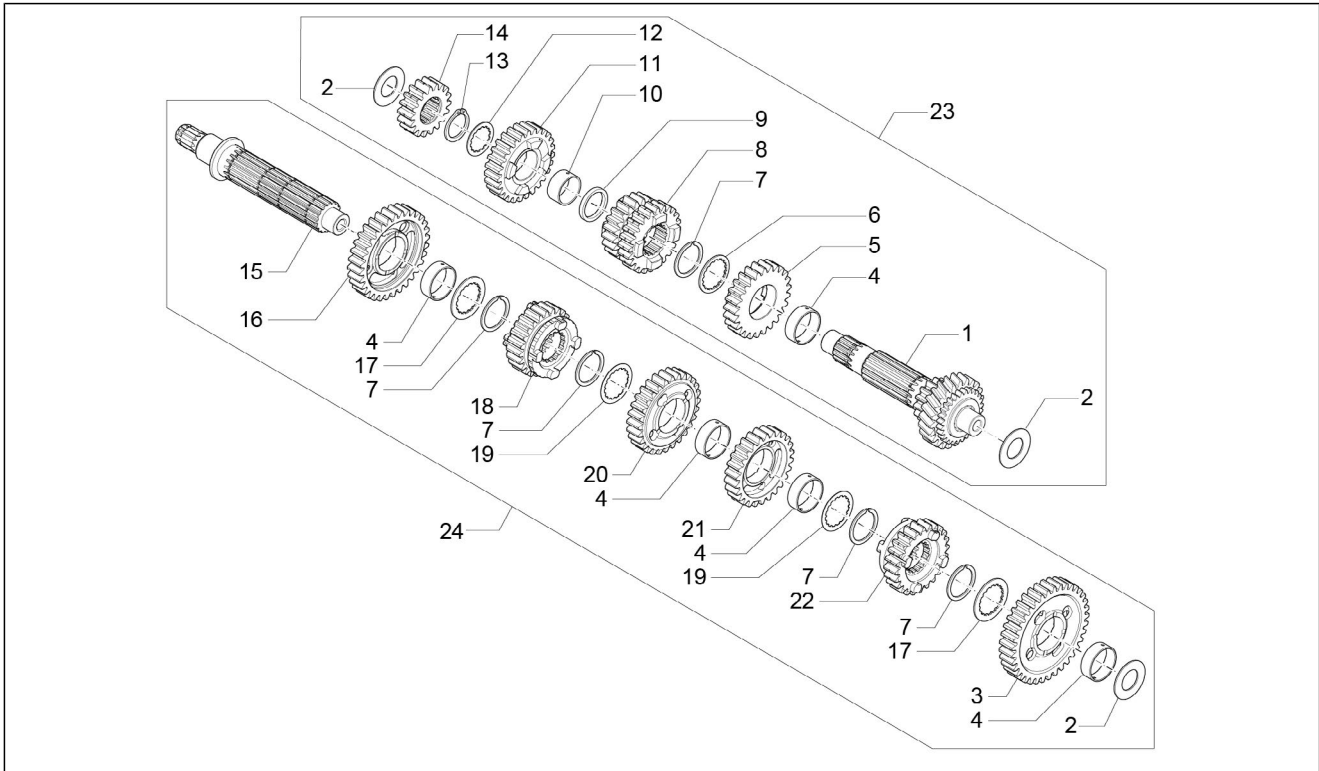
Pos.	Code	Description	Qty	Variants
1	2A000383	Clutch release shaft	1	
2	GU14090400	Adjuster screw	1	
5	2A000384	Lever pin	1	
6	2A000385	O-ring 6.5x1.5	2	
7	GU14086100	Outer body	1	
10	B013037	Clutch gear	1	
12	2A000204	Clutch shaft Z=18	1	
13	2A000216	Drive rod	1	
14	GU90706235	O-ring 23,52x1,78	1	
15	GU19213760	Spacer	1	
16	GU19356760	Nut	1	
17	GU14085900	Bush	2	
18	GU05217630	Bushing	1	
19	GU90706170	O-ring 17,13x2,62	1	
20	2A000376	Thrust bearing	1	
21	GU92606508	Nut	1	
22	GU95500222	Split pin	1	
23	GU94321105	Lever return spring	1	
24	2A000378	Gasket ring	1	

<b>Group</b>	ENGINE
<b>Code</b>	34.42
<b>Description</b>	Transmission cage
<b>Service</b>	1



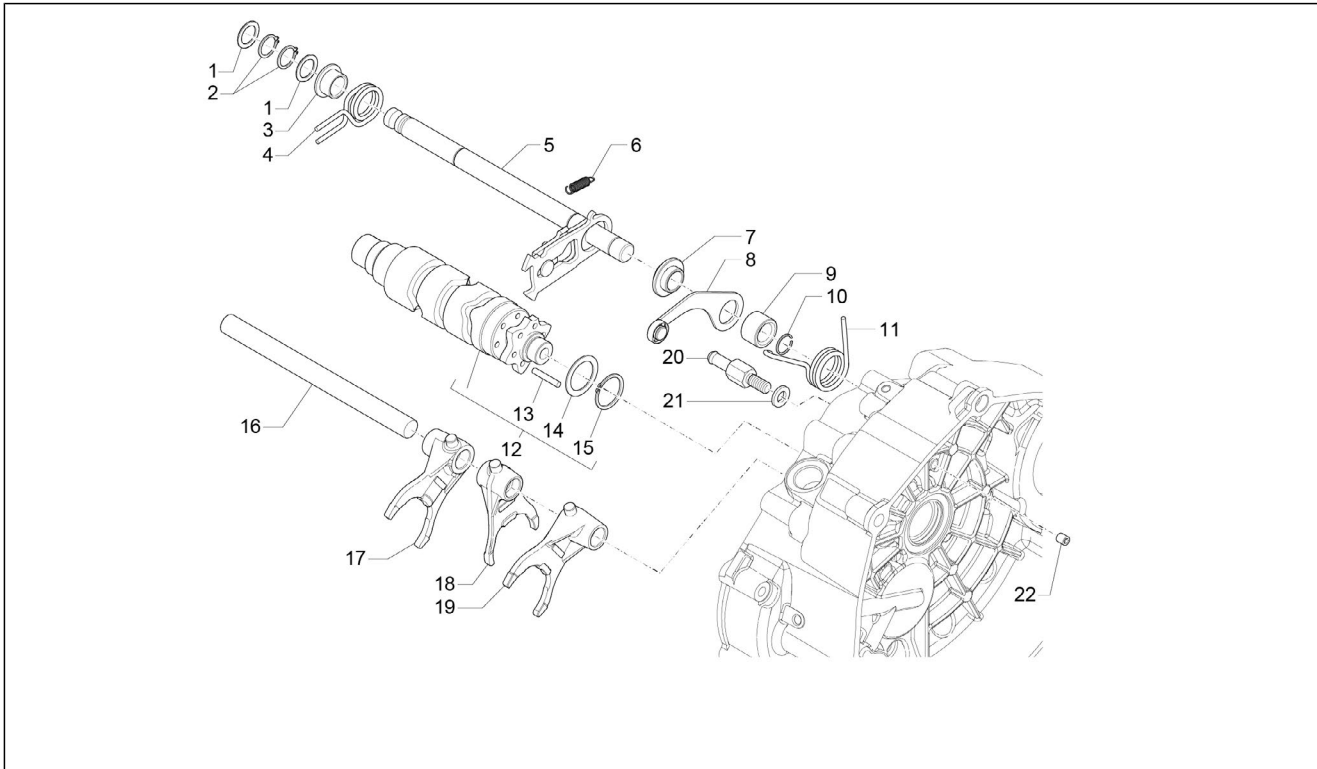
Pos.	Code	Description	Qty	Variants
1	2A000210	Transmission cage	1	
2	GU19002020	Bushing 6,6x9x13	2	
3	B063269	Sensor	1	
4	2A000097	Ball bearing 6202-2RSH/C3 LHT23	2	
5	2A000306	Lock plate	1	
6	2A000241	Screw M5x16	1	
7	GU92201226	Ball bearing 25x52x15	1	
8	873928	Washer	1	
9	B013608	Screw	1	
10	857250	Ball bearing 25x42x9	1	
11	2A000375	Ball bearing	1	
12	GU92201822	Ball bearing 20x52x15	1	
13	GU90412541	Gasket ring 25X40X7	1	
14	GU90401424	Gasket ring 14x24x7	1	
15	B063025	Gasket 8.7x14.2x1.3	1	
16	2A000196	Gear box assy	1	
17	2A000438	Breather plug	1	
18	GU01528930	Gasket 10x18x1,5	1	

<b>Group</b>	ENGINE
<b>Code</b>	34.43
<b>Description</b>	Gear box
<b>Service</b>	1



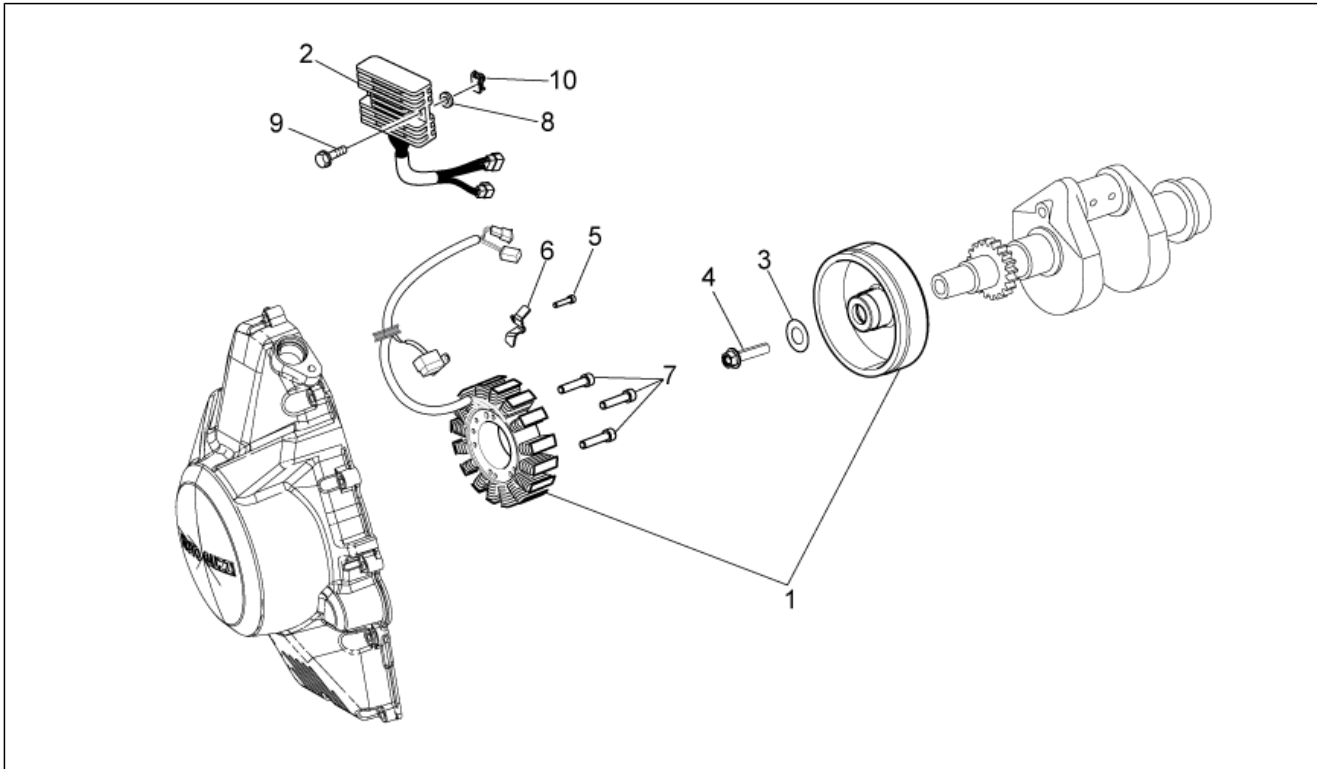
Pos.	Code	Description	Qty	Variants
1	2A000230	Primary gear shaft	1	
2	1A000566	Thrust washer	3	
3	B017470	1st gear	1	
4	849308	Moveable bush	5	
5	1A000360	Fifth speed gear	1	
6	849424	Clearance washer	1	
7	1A002604	Shaft snap ring	5	
8	1A000436	Sliding pinion 3a - 4a vel.	1	
9	B015040	Thrust washer	1	
10	974162	Moveable bush	1	
11	1A000361	6th pinion gear	1	
12	849396	Clearance washer	1	
13	974165	Snap ring	1	
14	1A000365	2nd pinion gear	1	
15	2A000203	Secondary gearbox shaft	1	
16	1A000366	Second speed gear Z=32	1	
17	849309	Clearance washer	2	
18	1A000370	Gear 6a Z=24	1	
19	849310	Clearance washer	2	
20	1A000367	Third speed gear Z=28	1	
21	1A000368	Fourth speed gear Z=26	1	
22	1A000369	Fifth speed gear Z=24	1	
23	2A000199	Primary shaft assy	1	
24	2A000202	Sec. shaft assy	1	

<b>Group</b>	ENGINE
<b>Code</b>	34.44
<b>Description</b>	Gear box selector
<b>Service</b>	1



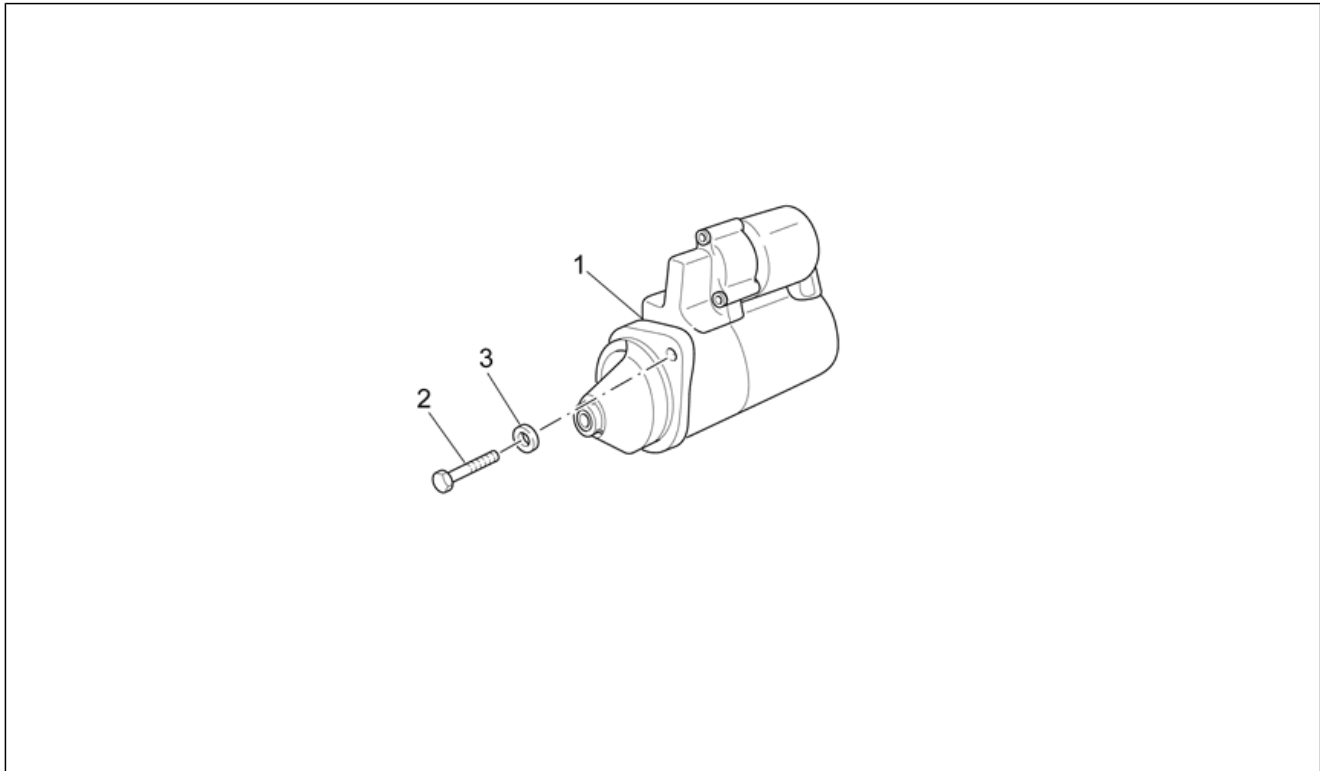
Pos.	Code	Description	Qty	Variants
1	GU05239330	Fifth wheel	2	
2	GU90271014	Circlip	2	
3	2A000467	Spacer	1	
4	B063956	Spring	1	
5	2A000219	Preselection complete	1	
6	GU05238231	Spring	1	
7	GU05238431	Bushing	1	
8	B064112	Index assy. lever	1	
9	GU05234230	Spacer	1	
10	GU90353014	Circlip	1	
11	B064113	Index spring	1	
12	2A000222	Shift cam cpl.	1	
13	GU05234631	Pin	6	
14	GU05235531	Spacer	1	
15	GU90271022	Circlip	1	
16	2A000224	Rod	1	
17	2A000226	Fork 2-3 speed	2	
18	2A000227	5-6 gear fork	1	
19	2A000225	Fork for secondary shaft	1	
20	2A000415	Set screw	1	
20	2A000416	Set screw	1	
21	B063025	Gasket 8.7x14.2x1.3	1	
22	862560	Special nut	1	

<b>Group</b>	ENGINE
<b>Code</b>	34.45
<b>Description</b>	Generator - Regulator
<b>Service</b>	1



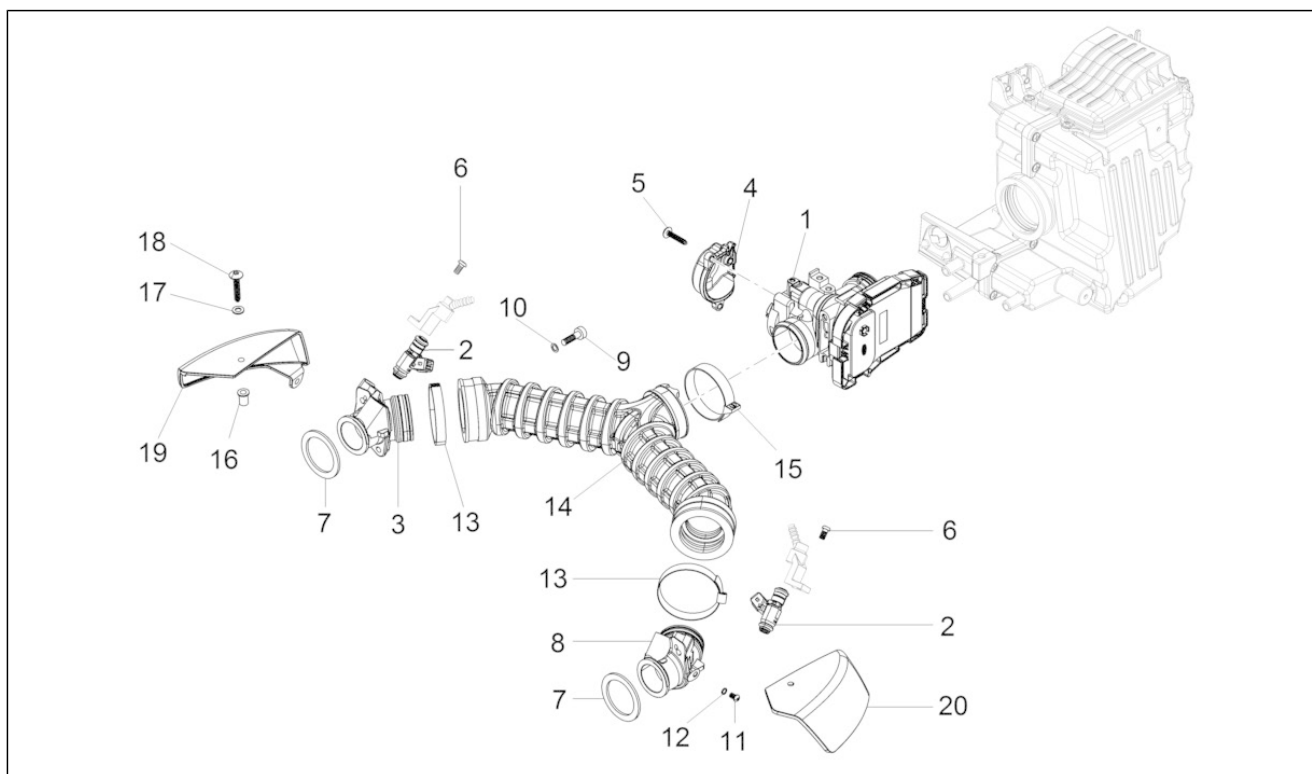
Pos.	Code	Description	Qty	Variants
1	2D000024	Cdi magneto assy	1	
2	2D000043	Voltage regulator	1	
3	897478	Washer 12x26.5x3	1	
4	857206	Screw w/ flange M12X1,25X50	1	
5	GU98682212	Hex socket screw M5x12	1	
6	2A000115	Plate	1	
7	2A000129	Low head socket screw M6x35	3	
8	GU95100125	Washer	2	
9	AP8152281	Screw w/ flange M6x30	2	
10	254485	Spring plate M6	2	

<b>Group</b>	ENGINE
<b>Code</b>	34.46
<b>Description</b>	Starter motor
<b>Service</b>	1



Pos.	Code	Description	Qty	Variants
1	GU05730730	Starter motor Bosch	1	
2	GU98682435	Hex socket screw	2	
3	GU95008208	Washer 8,4X15X1,5	2	

<b>Group</b>	ENGINE
<b>Code</b>	34.47
<b>Description</b>	Throttle body
<b>Service</b>	1



Pos.	Code	Description	Qty	Variants
1	CM228306	Electronic control unit ECU for injection	1	
2	B063049	Injector	2	
3	GU32115010	RH manifold	1	
4	880260	Throttle body Protection	1	
5	B016796	Torx convex big end screw	3	
6	AP8152298	Screw w/ flange M5x16	2	
7	GU32115510	Gasket	2	
8	GU32115011	LH manifold	1	
9	GU98622322	screw	4	
10	GU03013800	Washer 6,4x12	4	
11	884029	Hex socket screw M6x10	2	
12	GU95100116	Washer 6,25x10x1,5	2	
13	884311	Hose clamp D.61	2	
14	2B001031	Throttle body hose	1	
15	884310	Hose clamp D.55	1	
16	GU93231605	Antivibration bush	4	
17	GU30577800	Nylon washer 5,5X12X1	4	
18	GU98370515	screw	4	
19	978938	RH cover chromium plated	1	
20	978939	LH cover	1	





PIAGGIO & C.s.p.a.



## CATALOGUE DE PIÈCES DE RECHANGE



### V7 II STONE ABS 750 2015

Préfixe du cadre: ZGULW100

Préfixe du moteur:

V7

GU120



## Index

Produits finis.....	4
Index alphanumérique.....	5
CHASSIS.....	10
Tableau 33.01 - Chassis I.....	10
Tableau 33.02 - Chassis II.....	11
Tableau 33.03 - Béquille latérale.....	12
Tableau 33.04 - R-pied pilote.....	13
Tableau 33.05 - R-pied pass.....	14
Tableau 33.06 - Levier boîte de vitesses.....	15
Tableau 33.07 - Fourche Av. I.....	16
Tableau 33.08 - Fourche Av. II.....	17
Tableau 33.11 - Amortisseur AR.....	19
Tableau 33.12 - Réservoir essence.....	20
Tableau 33.13 - Carrosserie av. - Garde-boue AV.....	21
Tableau 33.14 - Selle-Carrosserie cent.....	22
Tableau 33.15 - Carrosserie arrière I- Garde-boue.....	23
Tableau 33.16 - Carrosserie arrière II- Porte-plaque.....	24
Tableau 33.17 - Tableau de bord.....	25
Tableau 33.18 - Guidon - Commandes.....	26
Tableau 33.19 - Sys.frein avant.....	27
Tableau 33.21 - Pompe essence.....	28
Tableau 33.22 - Corps filtre.....	29
Tableau 33.23 - Groupe echappement.....	30
Tableau 33.26 - Maît.cyl. frein AR.....	31
Tableau 33.27 - Pince frein AR.....	32
Tableau 33.28 - Feux avant.....	33
Tableau 33.29 - Feux arriere.....	34
Tableau 33.30 - Circuit électrique I.....	35
Tableau 33.31 - Circuit électrique II.....	36
Tableau 33.32 - Kit serrure.....	37
Tableau 33.33 - Décalco et plaquettes.....	38
Tableau 33.34 - Roue Av. II.....	39
Tableau 33.35 - Roue arrière II.....	40
Tableau 33.36 - Système frein ABS.....	41
MOTEUR.....	42
Tableau 34.09 - Transmission cpl. I.....	42
Tableau 34.10 - Transmission cpl. II.....	43
Tableau 34.34 - Carter.....	46
Tableau 34.35 - Couvercle distribution.....	47
Tableau 34.36 - Tête cylindre.....	48
Tableau 34.37 - Arbre moteur cpl.....	49
Tableau 34.38 - Distribution.....	50
Tableau 34.39 - Pompe huile.....	52



---

Tableau 34.40 - Embrague I.....	53
Tableau 34.41 - Embrague II.....	54
Tableau 34.42 - Carter de boîte vitesses.....	55
Tableau 34.43 - Boîte de vitesses.....	56
Tableau 34.44 - Selecteur boîte de vitesses.....	57
Tableau 34.45 - Alternateur - Régul.....	58
Tableau 34.46 - Démarreur.....	59
Tableau 34.47 - Corps à papillon.....	60



V 7  
GU120 - V7 II STONE ABS 750 2015

Préfixe du cadre: ZGULW100  
Préfixe du moteur:

## Produits finis

Code	Validité
GU9032113AUE00	
GU9032113AUE01	
GU9032113EUE00	
GU9032113EUE01	
GU9032113EUE02	
GU9032113EUE03	
GU9032113EUE04	
GU9032113GBE00	
GU9032113GBE01	
GU9032113GBE02	
GU9032113GBE03	
GU9032113GBE04	
GU9032113JPE01	



Code	N° de tableau	Pos.	Code	N° de tableau	Pos.	Code	N° de tableau	Pos.
	33.27	7	2B000880	33.14	1	2Q000056	33.33	7
080341	33.30	6	2B000899	33.11	1	2R000109	33.08	29
1A000360	34.43	5	2B000909	33.12	14	2R000110	33.08	4
1A000361	34.43	11	2B000971	34.47	19	2R000243	33.08	15
1A000365	34.43	14	2B000972	34.47	20	584211	33.31	10
1A000366	34.43	16	2B000975	33.01	1	638733	33.31	6
1A000367	34.43	20	2B000980	33.02	1	641040	33.30	8
1A000368	34.43	21	2B000988	33.02	2	641541	34.39	8
1A000369	34.43	22	2B000995	33.23	1	641725	33.30	7
1A000370	34.43	18	2B000996	33.23	2	641901	33.30	4
1A000436	34.43	8	2B001004	33.02	9	642034	33.30	3
1A000566	34.43	2	2B001008	33.02	8	658837	33.26	11
1A002604	34.43	7	2B001016	33.36	13	832029	33.30	14
248419	33.26	19	2B001031	34.47	14	834764	34.40	9
254485	33.15	4	2B001033	33.03	1	848650	34.40	3
254485	33.22	14	2B001035	33.01	10	849308	34.43	4
254485	33.23	20	2B001048	33.18	10	849309	34.43	17
254485	33.28	20	2B001049	33.18	24	849310	34.43	19
254485	34.45	10	2B001096	33.06	1	849396	34.43	12
285536	34.40	14	2B001101	33.17	8	849424	34.43	6
2A000085	34.35	1	2B001138	33.18	25	854973	33.36	8
2A000097	34.42	4	2B001197	33.19	13	857206	34.45	4
2A0000995	34.37	1	2B001199	33.19	1	857250	34.42	10
2A000115	34.45	6	2B001202	33.18	3	859792	33.34	14
2A000129	34.45	7	2B001230	33.02	10	859792	33.35	18
2A000146	34.38	1	2B001300	33.18	2	860651	34.09	19
2A000147	34.38	2	2B001342	33.21	2	862560	34.44	22
2A000196	34.42	16	2B001425	33.07	1	873905	34.40	8
2A000199	34.43	23	2B001555	33.36	5	873928	34.40	6
2A000202	34.43	24	2B001556	33.36	4	873928	34.42	8
2A000203	34.43	15	2B001557	33.36	2	874567	34.37	14
2A000204	34.41	12	2B001558	33.36	3	880260	34.47	4
2A000210	34.42	1	2B001561	33.34	16	883051	33.04	1
2A000216	34.41	13	2B001564	33.36	14	883052	33.04	2
2A000219	34.44	5	2B001570	33.36	21	883127	33.22	6
2A000222	34.44	12	2B001591	33.08	10	883161	33.31	11
2A000224	34.44	16	2B001597	33.26	13	883266	33.13	2
2A000225	34.44	19	2B001612	33.02	3	883293	33.23	15
2A000226	34.44	17	2B001614	33.36	15	883294	33.23	4
2A000227	34.44	18	2B001701	33.29	1	883295	33.14	5
2A000230	34.43	1	2B001708	33.34	15	883297	33.23	13
2A0002355	34.34	1	2B001783	33.15	12	883298	33.23	14
2A000241	34.40	17	2B001926	33.19	9	883417	33.28	18
2A000241	34.42	6	2B001927	33.19	8	883673	33.19	17
2A000306	34.42	5	2B001928	33.19	6	883688	33.34	10
2A000375	34.42	11	2B001929	33.19	7	883704	33.23	25
2A000376	34.41	20	2B001941	33.06	8	883826	34.34	18
2A000378	34.41	24	2B001959	34.09	11	884029	34.47	11
2A0003794	34.40	1	2B001998	33.18	26	884038	34.40	24
2A000383	34.41	1	2D000005	33.30	11	884039	34.39	7
2A000384	34.41	5	2D000006	33.32	10	884310	34.47	15
2A000385	34.41	6	2D000021	33.17	10	884311	34.47	13
2A000416	34.44	20	2D000022	33.17	9	886141	33.33	5
2A000438	34.42	17	2D000024	34.45	1	886340	33.33	1
2B000176	33.23	11	2D000043	34.45	2	88635200XN6	33.13	1
2B000177	33.23	10	2D000102	33.36	1	886365	34.34	10
2B000225	33.35	16	2D000108	33.30	1	886629	34.40	2
2B000229	33.27	1	2D000108	33.31	1	886670	34.37	11
2B000276	33.36	22	2H000413	33.33	3	887002	34.36	10
2B000348	33.05	13	2H000414000XN6	33.12	1	887003	34.35	2
2B000349	33.05	12	2H000414000YE6	33.12	1	887004	34.34	13
2B000377	33.35	17	2H000414000YG4	33.12	1	887093	34.39	9
2B000508	33.26	14	2H000414000YR2	33.12	1	887194	33.17	1
2B000525	33.27	6	2H000722000XN6	33.14	10	887207	33.12	1
2B000579	34.38	15	2H000723000XN6	33.14	17	8872690001	34.37	10
2B000840	33.14	16	2H000724	33.33	4	8872690002	34.37	10
2B000878	33.14	9	2L0002405	34.34	28	8872690003	34.37	10



Code	N° de tableau	Pos.	Code	N° de tableau	Pos.	Code	N° de tableau	Pos.
8872724	34.36	1	896110	33.23	21	AP8121032	33.17	7
8872754	34.36	2	897478	34.45	3	AP8121072	33.23	22
887279	34.36	24	898086	33.07	7	AP8121133	33.05	6
887443	33.33	9	898164	33.11	3	AP8121307	33.07	4
887448	33.35	12	898283	33.06	4	AP8121375	33.03	2
887481	33.30	12	959559	33.36	16	AP8121420	33.14	7
887483	34.36	25	967356	33.03	6	AP8121420	33.32	8
887523	34.36	9	969973	34.36	26	AP8121673	33.12	12
887528	34.38	27	974162	34.43	10	AP8124936	33.30	2
887571	33.34	1	974165	34.43	13	AP8127856	33.03	8
887573	33.35	1	976604	34.34	12	AP8134378	33.23	18
887787	33.21	5	976608	34.10	1	AP8134448	33.16	2
887815	33.22	13	976685	34.34	16	AP8134451	33.05	5
887826	33.28	4	976898	34.36	20	AP8144007	33.26	4
887826	33.29	4	976941	34.09	1	AP8144071	33.23	16
887827	33.28	5	977527	33.14	6	AP8144071	34.36	23
887827	33.29	5	977527	33.32	4	AP8144081	33.07	5
8878421	33.22	1	978311	33.28	2	AP8144146	33.07	3
887843	33.22	2	978385	33.23	12	AP8144553	33.22	7
887844	33.22	11	978415	33.14	8	AP8144729	33.22	17
887845	33.22	12	978415	33.32	9	AP8145034	33.04	3
887852	33.18	4	978940	33.14	10	AP8145035	33.04	10
887853	33.18	5	978943	33.14	17	AP8150015	33.36	12
887873	33.32	1	978946	33.15	1	AP8150045	34.40	11
887874	33.32	3	97894600XN6	33.15	1	AP8150178	33.34	17
887875	33.34	6	978947	33.15	2	AP8150349	33.32	6
887878	33.08	1	978949	33.16	1	AP8150377	33.28	13
887879	33.08	2	978960	33.18	1	AP8150436	33.02	12
887880	33.08	3	978969	33.26	3	AP8150450	33.14	12
887882	33.08	5	981149	33.28	12	AP8150451	33.36	19
887883	33.08	6	AP8101594	33.26	20	AP8150509	33.22	19
887884	33.08	7	AP8101595	33.12	10	AP8152043	33.19	4
887885	33.08	8	AP8101861	33.05	7	AP8152220	33.02	11
887886	33.08	9	AP8102375	33.14	15	AP8152220	34.39	18
887888	33.08	11	AP8102375	33.31	14	AP8152273	33.21	4
887889	33.08	12	AP8102520	33.22	27	AP8152277	33.04	7
887890	33.08	13	AP8102524	33.03	4	AP8152277	33.05	8
887891	33.08	14	AP8102766	33.22	23	AP8152278	33.11	2
887893	33.08	16	AP8102913	33.14	3	AP8152278	33.15	3
887894	33.08	17	AP8104509	33.18	9	AP8152279	33.15	9
887895	33.08	18	AP8104525	33.22	5	AP8152279	33.36	11
887896	33.08	19	AP8104924	33.22	4	AP8152281	34.45	9
887898	33.08	21	AP8113003	33.19	15	AP8152282	33.31	7
887899	33.08	22	AP8113003	33.36	7	AP8152286	33.34	11
887900	33.08	23	AP8113004	33.19	14	AP8152288	33.27	4
887901	33.08	24	AP8113004	33.36	6	AP8152298	33.26	18
887902	33.08	25	AP8113241	33.26	22	AP8152298	34.47	6
887903	33.08	26	AP8113288	33.26	16	AP8152299	33.15	14
887904	33.08	27	AP8113553	33.26	23	AP8152299	33.30	5
887905	33.08	28	AP8120030	33.36	10	AP8152306	33.16	5
887908	33.26	26	AP8120246	34.09	10	AP8152329	33.15	11
887910	33.26	1	AP8120311	33.01	13	AP8152329	33.22	18
887911	33.26	24	AP8120416	33.30	18	AP8152329	33.22	24
887912	33.08	30	AP8120416	33.31	19	AP8152339	33.14	14
887913	33.08	31	AP8120455	33.22	9	AP8152385	33.19	16
887914	33.08	32	AP8120557	33.12	11	AP8161054	33.22	15
887915	33.08	33	AP8120573	33.04	9	AP8181140	33.31	24
887916	33.08	34	AP8120573	33.05	9	AP8201358	33.22	3
887930	33.33	2	AP8120615	33.22	10	AP8213028	33.18	23
887948	33.30	13	AP8120772	33.22	20	AP8213057	33.26	15
887952	33.26	27	AP8120870	33.23	24	AP8213388	33.18	18
890760	33.22	16	AP8120876	33.22	8	AP8220283	33.31	22
890979	33.28	16	AP8120912	33.06	2	AP8220460	33.07	6
894505	33.35	13	AP8120912	33.26	2	AP8221023	33.22	25
894704	33.31	26	AP8121014	33.03	3	AP8221023	33.36	9
895709	33.36	18	AP8121032	33.15	10	AP8221197	33.03	5
895839	33.33	8	AP8121032	33.15	13	AP8221277	33.04	6



Code	N° de tableau	Pos.	Code	N° de tableau	Pos.	Code	N° de tableau	Pos.
AP8224164	33.16	3	GU03102200	33.12	6	GU19058021	34.38	19
AP8224462	33.31	21	GU03102400	33.12	2	GU19058220	34.38	20
B013037	34.41	10	GU03103200	33.12	8	GU19062261	34.37	4
B013608	34.40	5	GU03103500	33.12	4	GU19065400	34.37	2
B013608	34.42	9	GU03163330	33.31	3	GU19067700	34.37	18
B015040	34.43	9	GU03609600	33.18	14	GU19083462	34.40	22
B015598	34.40	15	GU03617710	33.34	5	GU19146422	34.39	1
B016796	34.47	5	GU03617710	33.35	6	GU19152200	34.39	11
B017406	34.40	12	GU03658201	33.36	20	GU19206501	34.10	10
B017470	34.43	3	GU03658330	33.36	17	GU19213760	34.41	15
B018020	34.40	13	GU03740930	33.29	2	GU19327601	34.09	5
B018448	34.40	16	GU03749845	33.19	5	GU19328801	34.09	3
B043850	33.31	23	GU03922280	34.09	23	GU19350700	34.10	22
B063016	34.37	13	GU05107430	33.21	3	GU19351100	34.10	4
B063022	33.23	3	GU05217630	34.41	18	GU19351900	34.10	2
B063025	34.42	15	GU05234230	34.44	9	GU19352300	34.10	23
B063025	34.44	21	GU05234631	34.44	13	GU19353500	34.10	24
B063049	34.47	2	GU05235531	34.44	14	GU19355200	34.10	35
B063099	34.36	19	GU05238131	34.44	3	GU19355202	34.10	36
B063111	34.36	6	GU05238231	34.44	6	GU19355300	34.10	33
B063132	33.04	13	GU05238431	34.44	7	GU19355301	34.10	33
B063135	33.18	6	GU05239330	34.44	1	GU19355302	34.10	33
B063233	33.31	5	GU05659230	33.19	10	GU19355303	34.10	33
B063269	34.42	3	GU05730730	34.46	1	GU19355304	34.10	33
B063287	33.01	4	GU05900130	33.33	6	GU19355305	34.10	33
B063431	33.14	11	GU06740400	33.28	17	GU19355306	34.10	33
B063443	33.26	28	GU10528900	34.34	15	GU19355307	34.10	33
B063465	34.37	15	GU12003702	34.34	20	GU19355308	34.10	33
B063466	34.37	16	GU12022600	34.10	6	GU19355309	34.10	33
B063735	33.28	14	GU12022600	34.40	10	GU19355320	34.10	27
B063735	33.29	6	GU12154200	34.34	23	GU19355321	34.10	27
B063752	33.21	1	GU13021900	34.34	26	GU19355322	34.10	27
B063956	34.44	4	GU13021900	34.36	12	GU19355323	34.10	27
B063975	33.18	15	GU14085900	34.41	17	GU19355324	34.10	27
B064112	34.44	8	GU14086100	34.41	7	GU19355325	34.10	27
B064113	34.44	11	GU14090400	34.41	2	GU19355326	34.10	27
CM001928	33.07	8	GU14217901	34.40	25	GU19355327	34.10	27
CM001929	33.07	9	GU14609650	33.30	20	GU19355328	34.10	27
CM0074C9	33.30	10	GU14609650	33.31	19	GU19355329	34.10	27
CM0074D0	33.30	9	GU14615901	33.05	15	GU19355400	34.10	21
CM013202	33.31	25	GU14615901	33.13	5	GU19355402	34.10	21
CM225705	33.31	15	GU14615901	34.09	20	GU19355404	34.10	21
CM225710	33.31	16	GU14615901	34.37	5	GU19355406	34.10	21
CM225715	33.31	17	GU14616150	33.34	7	GU19355408	34.10	21
CM225720	33.31	20	GU14616150	33.35	10	GU19355410	34.10	21
CM225730	33.31	18	GU18144350	34.39	16	GU19355411	34.10	21
CM228306	34.47	1	GU18161150	34.39	21	GU19355412	34.10	21
CM228401	33.04	8	GU18257551	33.26	8	GU19355413	34.10	21
CM228401	33.05	4	GU19002020	34.35	5	GU19356700	34.10	30
CM258303	33.22	22	GU19002020	34.42	2	GU19356760	34.41	16
GU00823923140	33.03	7	GU19003800	34.34	8	GU19356801	34.10	28
GU00823931055	33.28	19	GU19007700	34.45	8	GU19357660	34.10	25
GU00823944050	33.12	13	GU19015020	34.34	5	GU19547000	34.09	12
GU00823950050	33.26	21	GU19017000	33.02	4	GU20147710	34.39	17
GU01528930	34.10	9	GU19018920	34.39	10	GU20147810	34.39	3
GU01528930	34.42	18	GU19021360	34.36	18	GU20148410	34.39	4
GU01609630	33.18	14	GU19021920	34.36	7	GU20148610	34.39	5
GU01659130	33.19	11	GU19025280	33.23	5	GU20258221	33.06	9
GU01659131	33.19	12	GU19025460	33.23	6	GU20352421	34.10	31
GU01665410	33.26	25	GU19030500	34.38	7	GU20355121	34.10	34
GU03013800	33.06	7	GU19032080	34.38	10	GU23217800	34.38	3
GU03013800	33.23	8	GU19032980	34.36	17	GU23328081	34.09	7
GU03013800	34.47	10	GU19032980	34.38	14	GU23548080	34.09	8
GU03067730	34.10	19	GU19034000	34.38	8	GU23548180	34.09	9
GU03101600	33.12	7	GU19037820	34.36	8	GU23943410	33.08	35
GU03101720	33.12	5	GU19045861	34.38	25	GU27037521	34.38	4
GU03101900	33.12	3	GU19055700	34.38	23	GU27061585	34.37	3



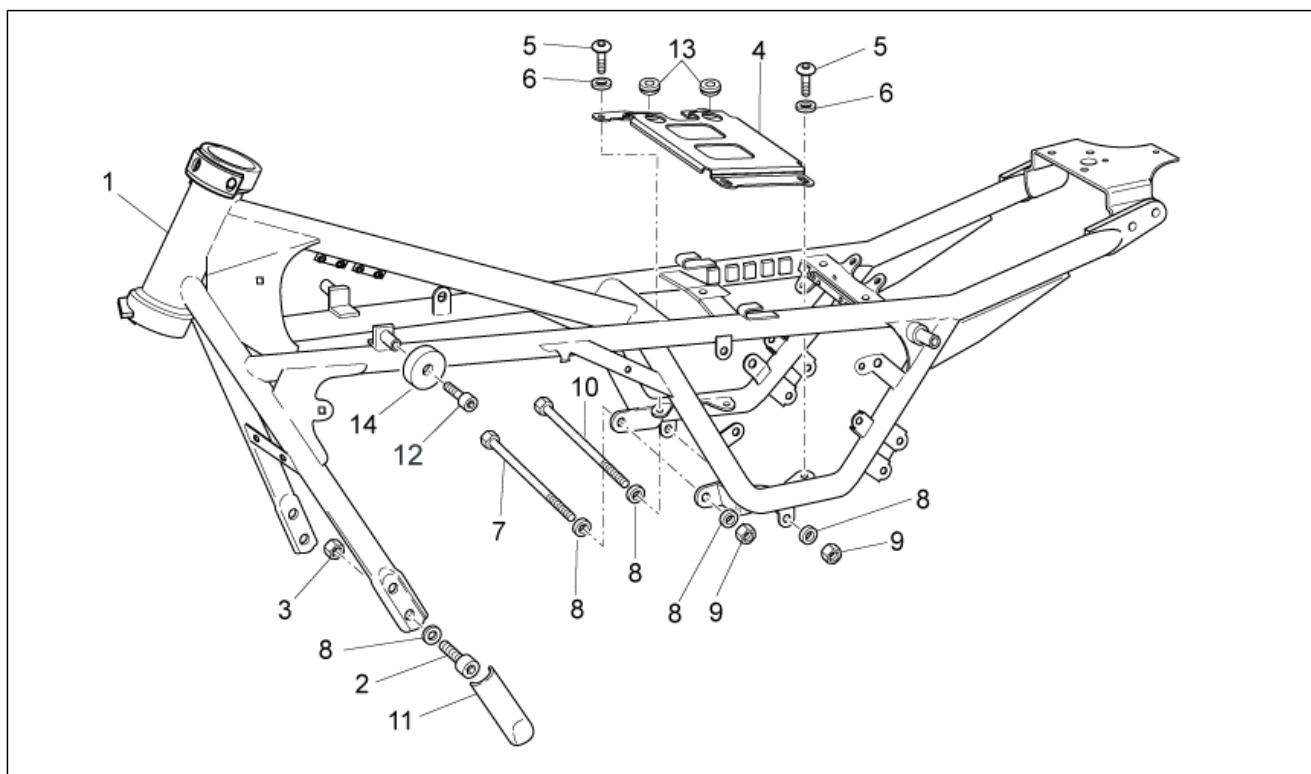
Code	N° de tableau	Pos.	Code	N° de tableau	Pos.	Code	N° de tableau	Pos.
GU27061885	34.37	17	GU32603310	33.18	7	GU92249225	33.07	2
GU27062060	34.37	6	GU32615660	33.34	8	GU92249227	34.10	20
GU27065660	34.37	7	GU32632510	33.35	9	GU92252210	34.39	2
GU27066460	34.37	9	GU32633360	33.35	14	GU92252235	34.10	5
GU27066560	34.37	8	GU32633560	34.10	11	GU92296723	34.39	6
GU27152885	34.34	22	GU32634160	33.27	5	GU92602406	34.38	9
GU27153085	34.39	14	GU32636160	33.35	7	GU92602510	34.39	19
GU27633910	33.35	4	GU32735510	33.32	5	GU92603010	34.36	11
GU29729461	33.31	2	GU32747910	33.31	9	GU92606206	33.17	6
GU29759150	33.18	17	GU32753410	33.28	3	GU92606208	34.34	7
GU30577800	33.29	13	GU32753410	33.29	8	GU92606210	33.01	9
GU30577800	34.47	17	GU32782510	33.32	2	GU92606210	33.02	5
GU30601060	33.18	13	GU32999010	34.34	25	GU92606210	33.11	7
GU30602500	33.18	22	GU32999510	34.34	24	GU92606210	34.09	18
GU31003766	34.10	8	GU35214300	34.09	13	GU92606316	33.35	11
GU31003766	34.34	14	GU49609601	33.30	19	GU92606508	34.41	21
GU31016050	34.39	20	GU49609601	33.31	19	GU92609007	33.26	12
GU31037015	34.38	13	GU61027200	34.37	12	GU92630108	33.15	8
GU31038015	34.38	5	GU61036801	34.36	3	GU92630206	33.26	6
GU31045015	34.38	26	GU61038100	34.38	6	GU92630207	33.34	18
GU31112965	33.22	26	GU61054900	34.38	18	GU92630510	33.01	3
GU31121880	33.23	9	GU61270300	34.10	26	GU92630707	33.06	5
GU31150950	34.39	26	GU61270300	34.34	6	GU92640508	33.23	19
GU31159050	34.39	15	GU61270300	34.36	21	GU92660021	33.26	7
GU31327783	34.09	2	GU66103415	33.01	14	GU92787006	33.28	6
GU31439565	33.13	4	GU90271014	34.44	2	GU92787006	33.29	11
GU31513480	33.08	20	GU90271018	34.38	12	GU93180105	34.09	21
GU31544181	33.27	3	GU90271022	34.44	15	GU93180111	33.34	13
GU31544181	34.09	15	GU90272023	34.09	4	GU93180245	34.36	22
GU31547882	34.09	14	GU90272075	34.40	21	GU93222023	33.17	4
GU31614183	33.34	9	GU90353009	34.36	4	GU93231605	33.29	14
GU31615283	33.34	2	GU90353014	34.44	10	GU93231605	34.47	16
GU31616384	33.34	12	GU90353029	34.38	24	GU93301175	33.23	26
GU31634281	33.27	2	GU90353030	34.10	17	GU93450105	33.28	9
GU31634481	33.35	15	GU90401424	34.42	14	GU93450126	33.28	15
GU31659181	33.27	9	GU90402538	33.35	2	GU93450126	33.29	7
GU31659281	33.27	8	GU90402642	33.34	4	GU93450224	33.29	3
GU31740383	33.28	11	GU90403251	34.10	38	GU93450232	33.28	10
GU32032310	34.38	11	GU90403549	34.10	3	GU94321079	34.39	24
GU32053410	34.38	16	GU90407591	34.10	15	GU94321099	34.09	6
GU32054510	34.38	17	GU90412541	34.42	13	GU94321105	34.41	23
GU32067910	34.40	19	GU90706076	34.34	9	GU95005306	33.17	3
GU32080310	34.40	23	GU90706111	34.39	22	GU95005308	33.26	9
GU32084410	34.40	20	GU90706141	33.30	17	GU95005308	33.28	23
GU32115010	34.47	3	GU90706170	34.41	19	GU95005308	34.09	22
GU32115011	34.47	8	GU90706188	34.10	29	GU95005310	33.15	7
GU32115510	34.47	7	GU90706203	34.10	7	GU95005310	33.26	5
GU32121010	33.23	7	GU90706203	34.40	26	GU95008205	33.30	16
GU32350410	34.10	13	GU90706235	34.41	14	GU95008206	34.39	23
GU32351410	34.10	16	GU90706281	34.34	19	GU95008208	33.01	6
GU32354610	34.10	18	GU90706444	34.34	17	GU95008208	34.46	3
GU32434460	33.13	1	GU90706584	34.10	37	GU95008210	33.01	8
GU32441210	33.04	5	GU91113826	33.23	23	GU95008210	33.02	6
GU32441210	33.05	3	GU91120806	33.15	6	GU95008210	33.31	4
GU32442310	33.05	1	GU91181003	33.18	11	GU95008210	34.09	17
GU32442710	33.05	10	GU91181003	33.19	3	GU95008305	33.18	20
GU32443210	33.04	4	GU91551010	33.22	21	GU95008306	34.40	18
GU32443210	33.05	2	GU91551086	33.14	13	GU95020105	33.03	10
GU32443211	33.04	11	GU92201070	34.10	14	GU95021104	33.19	2
GU32443211	33.05	11	GU92201226	34.40	4	GU95021105	33.18	21
GU32457810	33.01	11	GU92201226	34.42	7	GU95021206	33.17	5
GU32461610	33.14	2	GU92201822	34.40	7	GU95021206	33.28	8
GU32506360	33.28	1	GU92201822	34.42	12	GU95021206	33.29	10
GU32517710	33.31	8	GU92204217	33.35	5	GU95100059	33.31	13
GU32555210	33.11	4	GU92204218	33.35	3	GU95100116	34.47	12
GU32555211	33.11	5	GU92204221	33.34	3	GU95100125	34.45	11
GU32603010	33.18	16	GU92249220	34.10	32	GU95100244	34.38	29





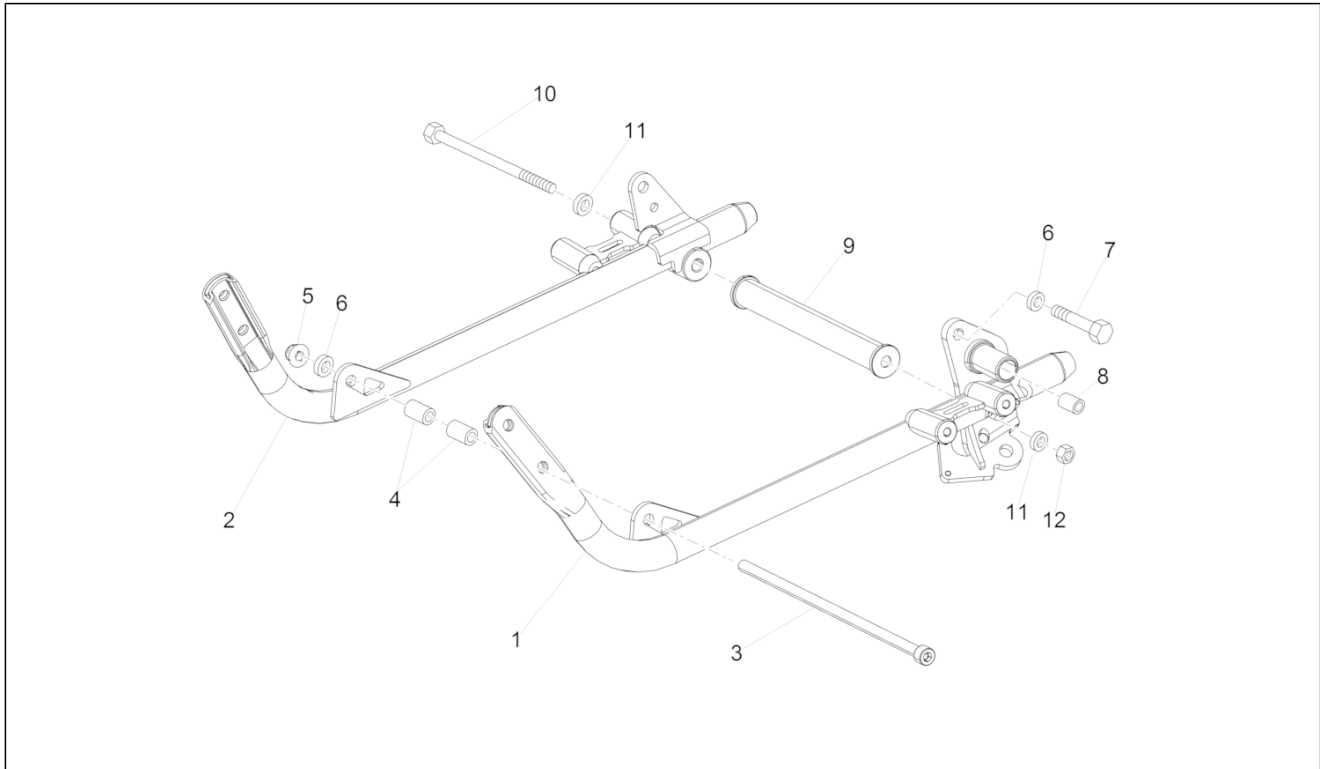
Code	N° de tableau	Pos.
GU95100309	34.39	27
GU95100602	34.39	25
GU95100709	34.34	21
GU95129115	34.38	22
GU95129180	34.34	27
GU95129180	34.36	13
GU95129181	33.11	6
GU95129260	33.06	3
GU95187006	34.39	13
GU95500221	33.26	10
GU95500222	34.41	22
GU96451430	34.34	3
GU96451560	34.34	2
GU96506042	34.36	5
GU96508055	34.10	12
GU96508055	34.34	4
GU96510181	34.36	15
GU96510214	34.36	14
GU97202325	33.18	12
GU98054422	34.38	28
GU98082565	33.02	7
GU98084314	34.39	12
GU98110199	33.01	7
GU98210612	33.23	27
GU98230510	33.16	4
GU98230510	33.18	19
GU98350215	33.29	12
GU98350416	33.01	5
GU98370515	34.47	18
GU98370609	33.17	2
GU98370625	33.14	4
GU98370625	33.26	17
GU98370655	33.28	7
GU98370655	33.29	9
GU98370845	33.13	3
GU98612216	33.03	9
GU98612216	33.35	8
GU98622322	34.47	9
GU98632322	33.06	6
GU98680545	34.09	16
GU98682212	33.30	15
GU98682212	33.31	12
GU98682212	34.45	5
GU98682312	33.35	19
GU98682325	34.34	11
GU98682325	34.35	3
GU98682330	34.35	4
GU98682414	33.01	12
GU98682416	33.04	12
GU98682416	33.05	14
GU98682416	33.32	7
GU98682430	33.12	9
GU98682435	34.46	2
GU98682530	33.01	2
GU98690335	33.11	8
GU98690335	33.18	8
GU98690435	33.15	5
GU98690440	33.23	17
GU98692325	34.36	16
GU98692414	33.17	11
GU98692420	33.28	22
GU98880540	33.28	21
GU98882316	34.38	21

<b>Groupe</b>	CHASSIS
<b>Code</b>	33.01
<b>Description</b>	Chassis I
<b>Révision</b>	1



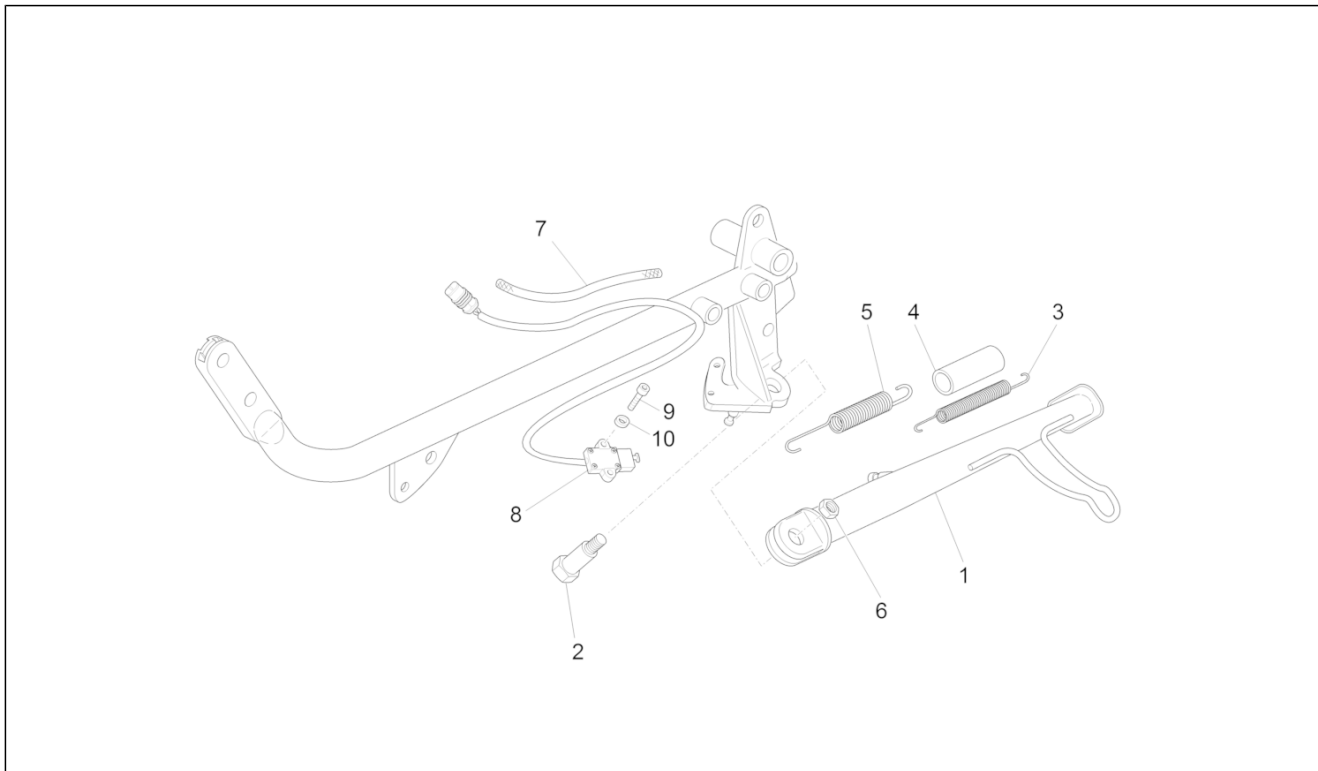
Pos.	Code	Description	Quant	Variants
1	2B000975	Châssis, noir	1	
2	GU98682530	Vis M10x30	4	
3	GU92630510	Ecrou M10x1,5	4	
4	B063287	Plaque de liaison du cadre	1	
5	GU98350416	Vis M8x16	4	
6	GU95008208	Rondelle 8,4X15X1,5	4	
7	GU98110199	Pivot M10x205	1	
8	GU95008210	Rondelle 10,2X18X2	11	
9	GU92606210	Ecrou M10x1,5	3	
10	2B001035	Pivot 234X10	2	
11	GU32457810	Protection	2	
12	GU98682414	Vis	2	
13	AP8120311	Caoutchouc *	2	
14	GU66103415	Caoutchouc	2	

<b>Groupe</b>	CHASSIS
<b>Code</b>	33.02
<b>Description</b>	Chassis II
<b>Révision</b>	1



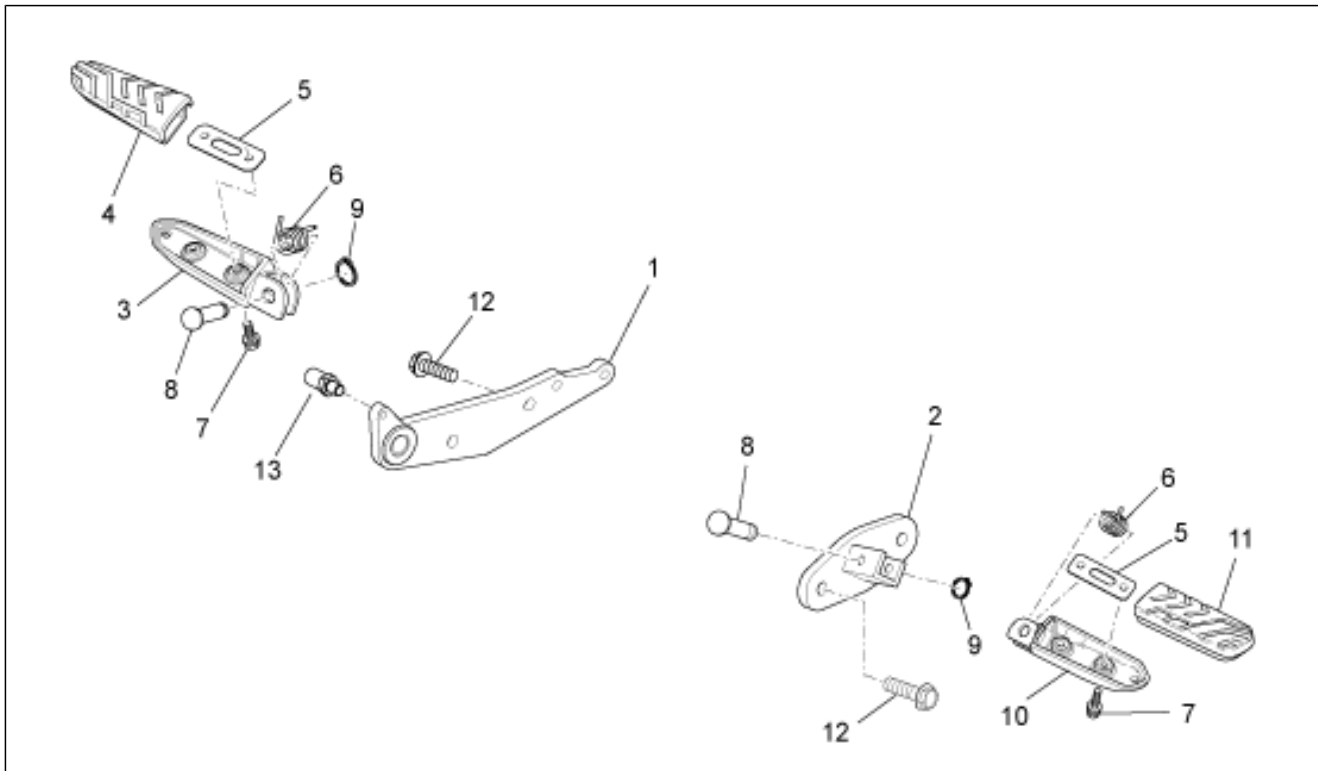
Pos.	Code	Description	Quant	Variants
1	2B000980	Braccio culla SX	1	
2	2B000988	Braccio culla DX	1	
3	2B001612	Pivot M10X199	1	
4	GU19017000	Douille	2	
5	GU92606210	Ecrou M10x1,5	3	
6	GU95008210	Rondelle 10,2X18X2	3	
7	GU98082565	Vis M10x65	2	
8	2B001008	Douille	1	
9	2B001004	Traverse	1	
10	2B001230	Pivot 278X10	1	
11	AP8152220	Rondelle	2	
12	AP8150436	Ecrou autofr. bas	1	

<b>Groupe</b>	CHASSIS
<b>Code</b>	33.03
<b>Description</b>	Béquille latérale
<b>Révision</b>	1



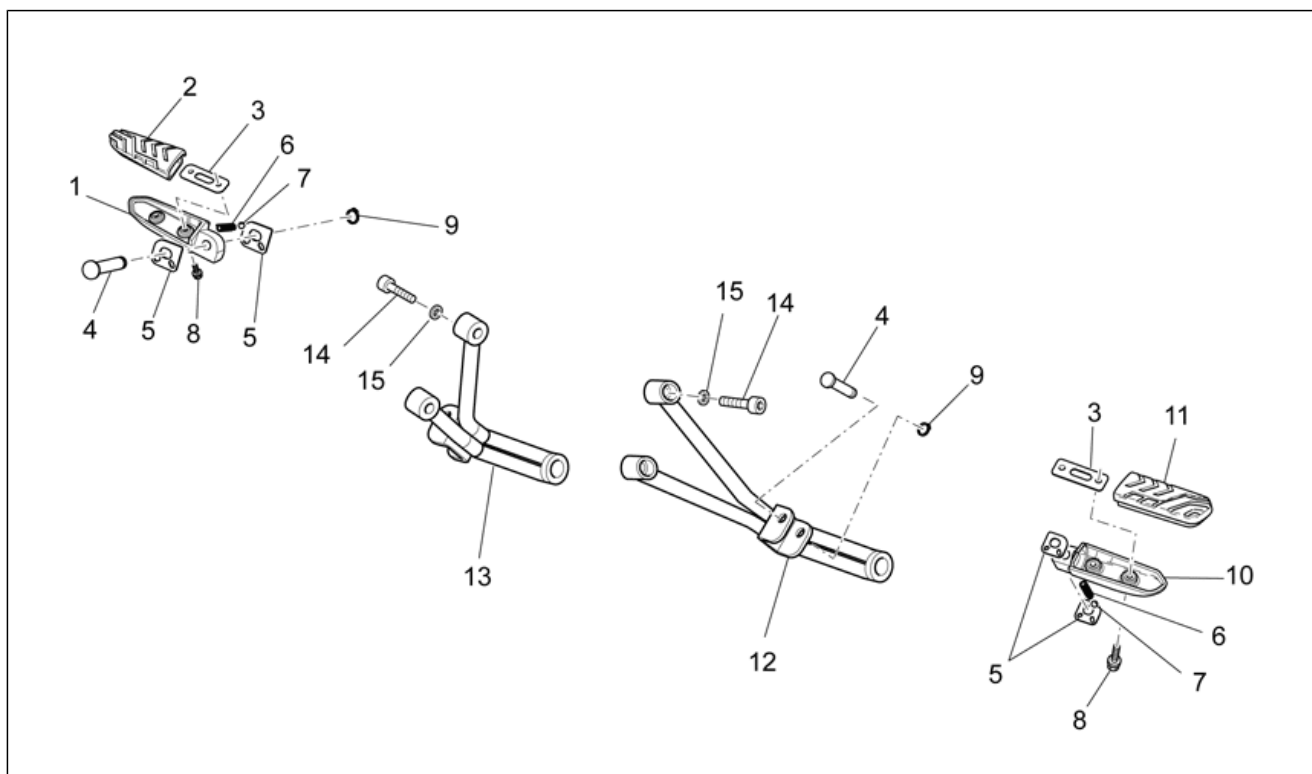
Pos.	Code	Description	Quant	Variants
1	2B001033	Béquille latérale	1	
2	AP8121375	Vis fix. béquille	1	
3	AP8121014	Ress.hél.cyl.tract. *	1	
4	AP8102524	Protec.ress.béquille	1	
5	AP8221197	Ressort rappel béq.	1	
6	967356	Ecrou bridé M10x1,25	1	
7	GU00823923140	Gaine thermique	1	
8	AP8127856	Interrupteur béquille	1	
9	GU98612216	Vis	2	
10	GU95020105	Rondelle 5,3x8,9x2,4	2	

<b>Groupe</b>	CHASSIS
<b>Code</b>	33.04
<b>Description</b>	R-pied pilote
<b>Révision</b>	1



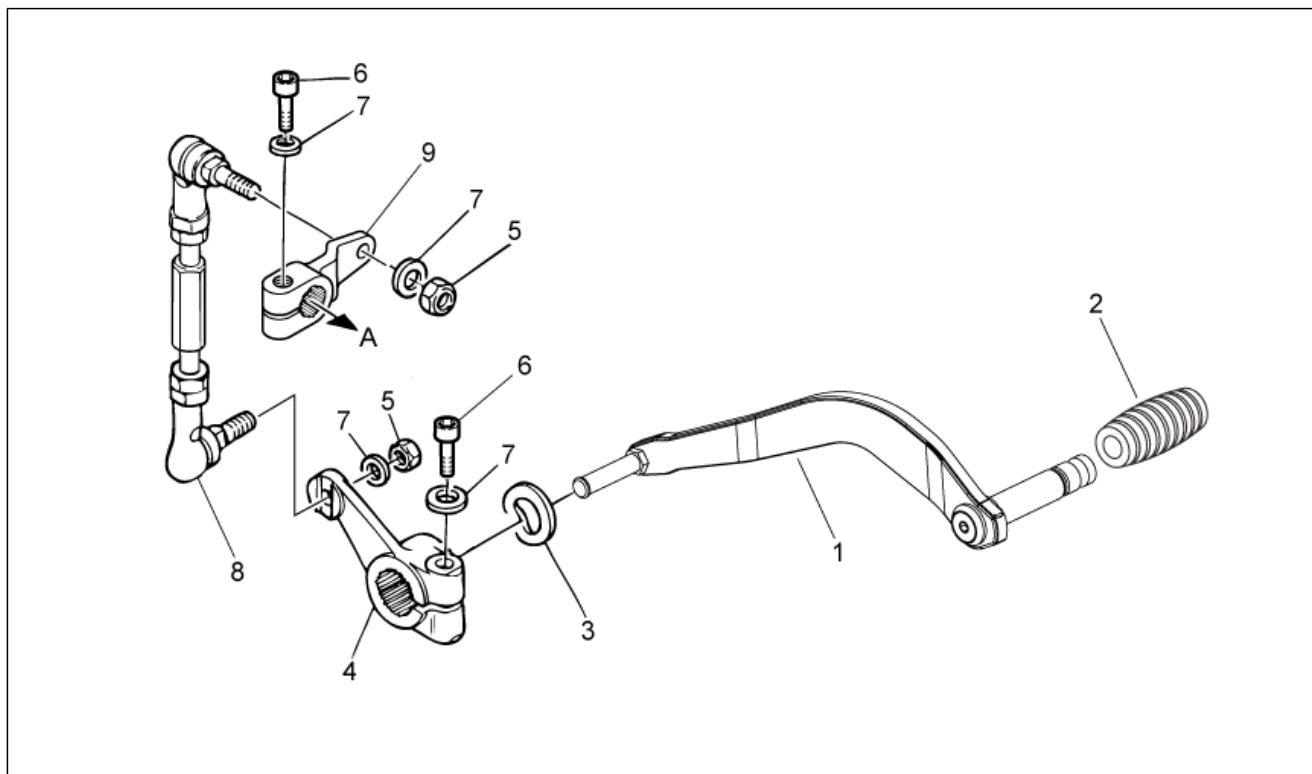
Pos.	Code	Description	Quant	Variants
1	883051	Support repose-pieds dte	1	
2	883052	Support r-p. G	1	
3	AP8145034	R-pied pilote D	1	
4	GU32443210	Coautchouc pour support	1	
5	GU32441210	Plaquette	2	
6	AP8221277	Ressort retour repose-pieds	2	
7	AP8152277	Vis bride M6x12	4	
8	CM228401	Pivot repose-pieds	2	
9	AP8120573	Anneau d'arrêt rad.	2	
10	AP8145035	R-pied pilote G	1	
11	GU32443211	Coautchouc pour support	1	
12	GU98682416	Vis M8x16	4	
13	B063132	Utée	1	

<b>Groupe</b>	CHASSIS
<b>Code</b>	33.05
<b>Description</b>	R-pied pass.
<b>Révision</b>	1



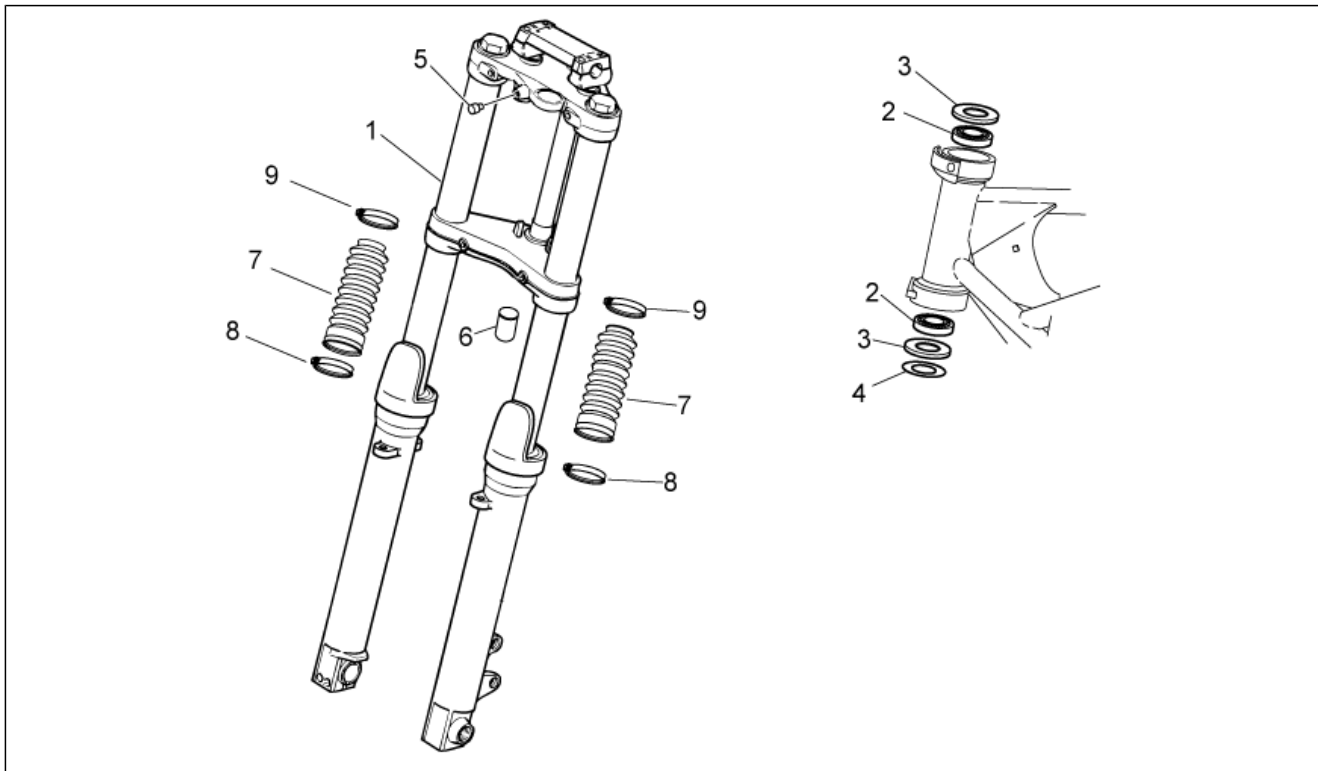
Pos.	Code	Description	Quant	Variants
1	GU32442310	Rep-pieds pass.dte	1	
2	GU32443210	Coatoucou pour support	1	
3	GU32441210	Plaquette	2	
4	CM228401	Pivot repose-pieds	2	
5	AP8134451	Plaque fdc r-pied	4	
6	AP8121133	Res. hélic. compr	2	
7	AP8101861	Bille D6,35	2	
8	AP8152277	Vis bride M6x12	4	
9	AP8120573	Anneau d'arrêt rad.	2	
10	GU32442710	Rep-p. pass.gche	1	
11	GU32443211	Coatoucou pour support	1	
12	2B000349	Supporto pedane passeggero sx con Pi	1	
13	2B000348	Supporto pedane passeggero dx con PI	1	
14	GU98682416	Vis M8x16	4	
15	GU14615901	Rondelle 8,4X13X0,8	4	

<b>Groupe</b>	CHASSIS
<b>Code</b>	33.06
<b>Description</b>	Levier boîte de vitesses
<b>Révision</b>	1



Pos.	Code	Description	Quant	Variants
1	2B001096	Levier boîte de vitesses	1	
2	AP8120912	Caoutchouc pour levier	1	
3	GU95129260	Rondelle élastique	2	
4	898283	Lavier commande chang. vit.	1	
5	GU92630707	Ecrou	2	
6	GU98632322	Vis	2	
7	GU03013800	Rondelle 6,4x12	3	
8	2B001941	Tringle de commande de boîte de vitesses	1	
9	GU20258221	Levier de commande	1	

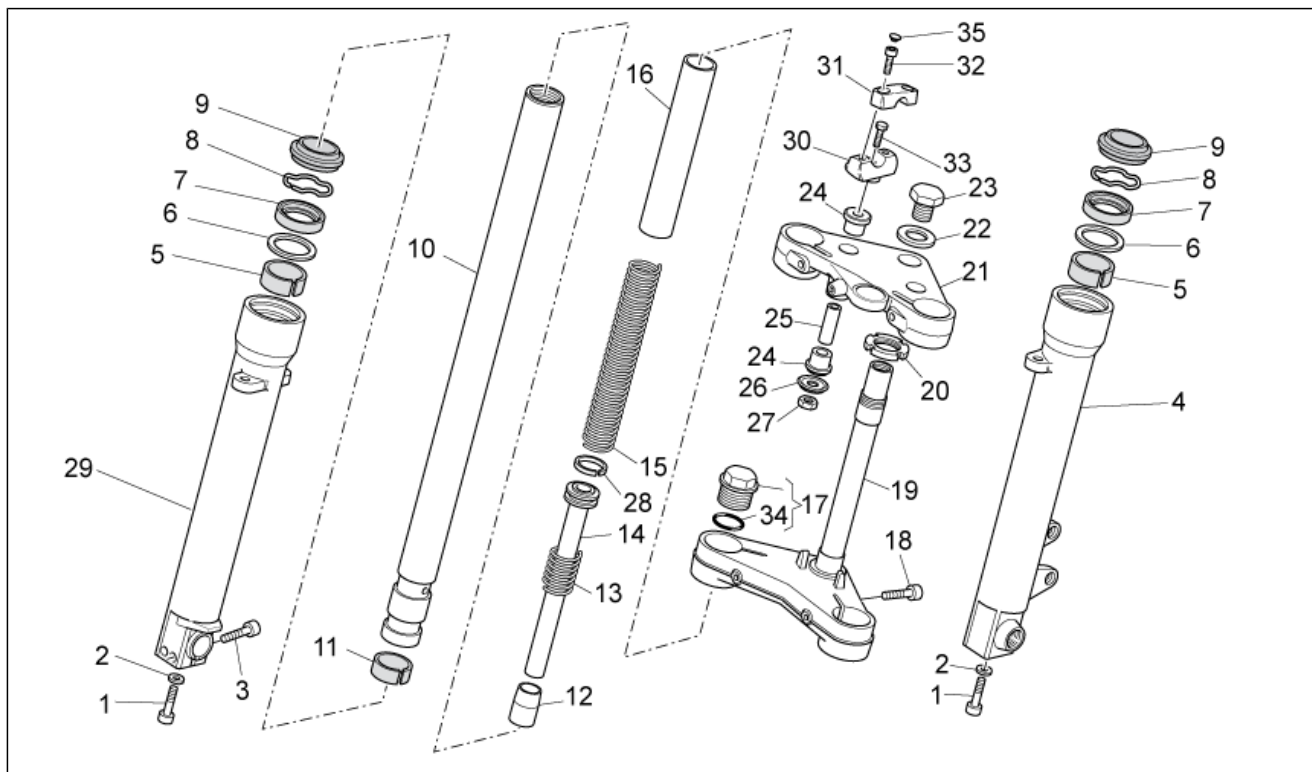
<b>Groupe</b>	CHASSIS
<b>Code</b>	33.07
<b>Description</b>	Fourche Av. I
<b>Révision</b>	1



Pos.	Code	Description	Quant.	Variants
1	2B001425	Fourche complète	1	
2	GU92249225	Roulement roul.con.	2	
3	AP8144146	Bague d'étanchéité	1	
4	AP8121307	Rondelle	1	
5	AP8144081	Caoutchouc	1	
6	AP8220460	Rondelle en caoutchouc	1	
7	898086	Soufflet fourche	2	
8	CM001928	Collier serr. Tube 44	2	
9	CM001929	Fascetta stringitubo 63.5	2	

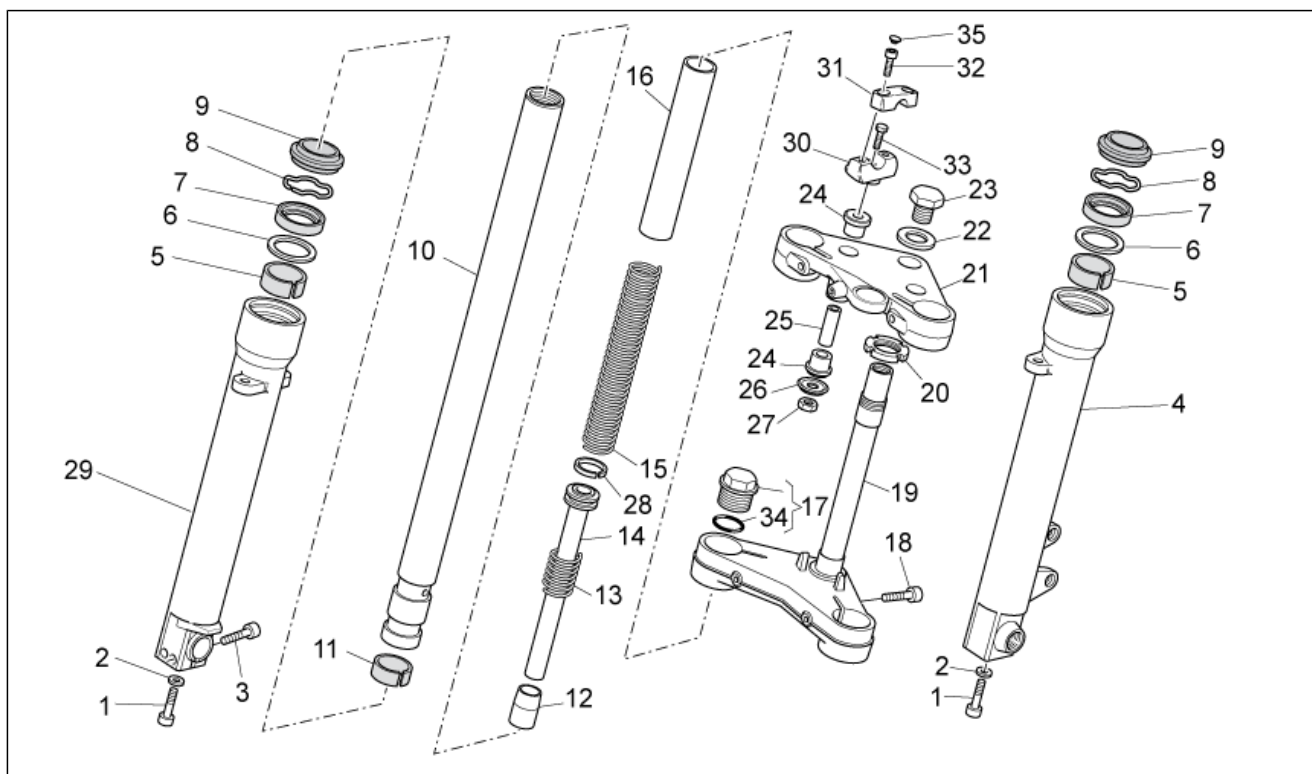


<b>Groupe</b>	CHASSIS
<b>Code</b>	33.08
<b>Description</b>	Fourche Av. II
<b>Révision</b>	1



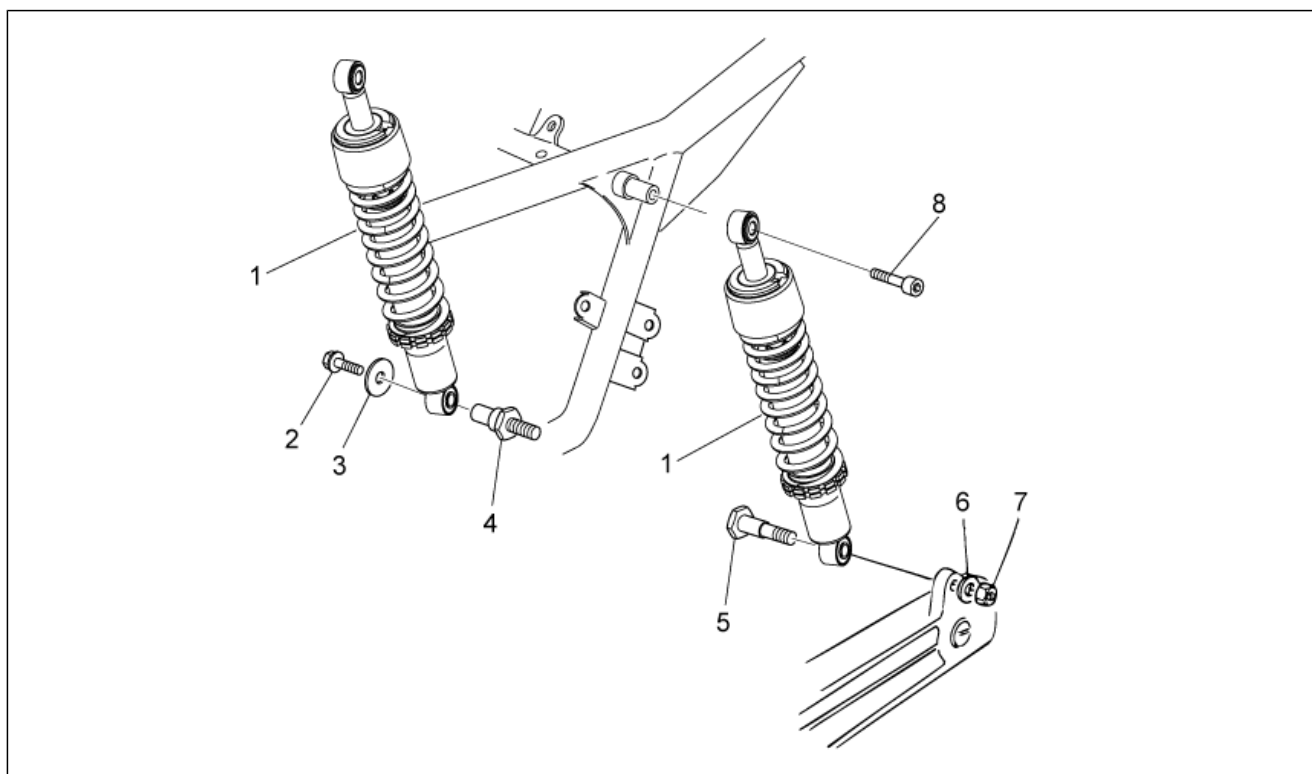
Pos.	Code	Description	Quant	Variants
1	887878	Vis M10x30	2	
2	887879	Rondelle	2	
3	887880	Vis	2	
4	2R000110	Fourreau G	1	
5	887882	Douille supérieure	2	
6	887883	Rondelle	2	
7	887884	Bague d'étanchéité	2	
8	887885	Bague de butée	2	
9	887886	Pare-poussière	2	
10	2B001591	Tige	2	
11	887888	Douille	2	
12	887889	Tampon	2	
13	887890	Contre-ressort	2	
14	887891	Elém.pompage cpl	2	
15	2R000243	Ressort	2	
16	887893	Tuyau	2	
17	887894	Gr. bouchon cpl.	2	
18	887895	Vis	2	
19	887896	Base avec tube	1	
20	GU31513480	Bague M25X1	1	
21	887898	Plaque supérieure	1	
22	887899	Rondelle	1	
23	887900	Ecrou	1	
24	887901	Caoutchouc	4	
25	887902	Entretoise	2	
26	887903	Rondelle	2	
27	887904	Ecrou	2	
28	887905	Segment	2	

<b>Groupe</b>	CHASSIS
<b>Code</b>	33.08
<b>Description</b>	Fourche Av. II
<b>Révision</b>	1



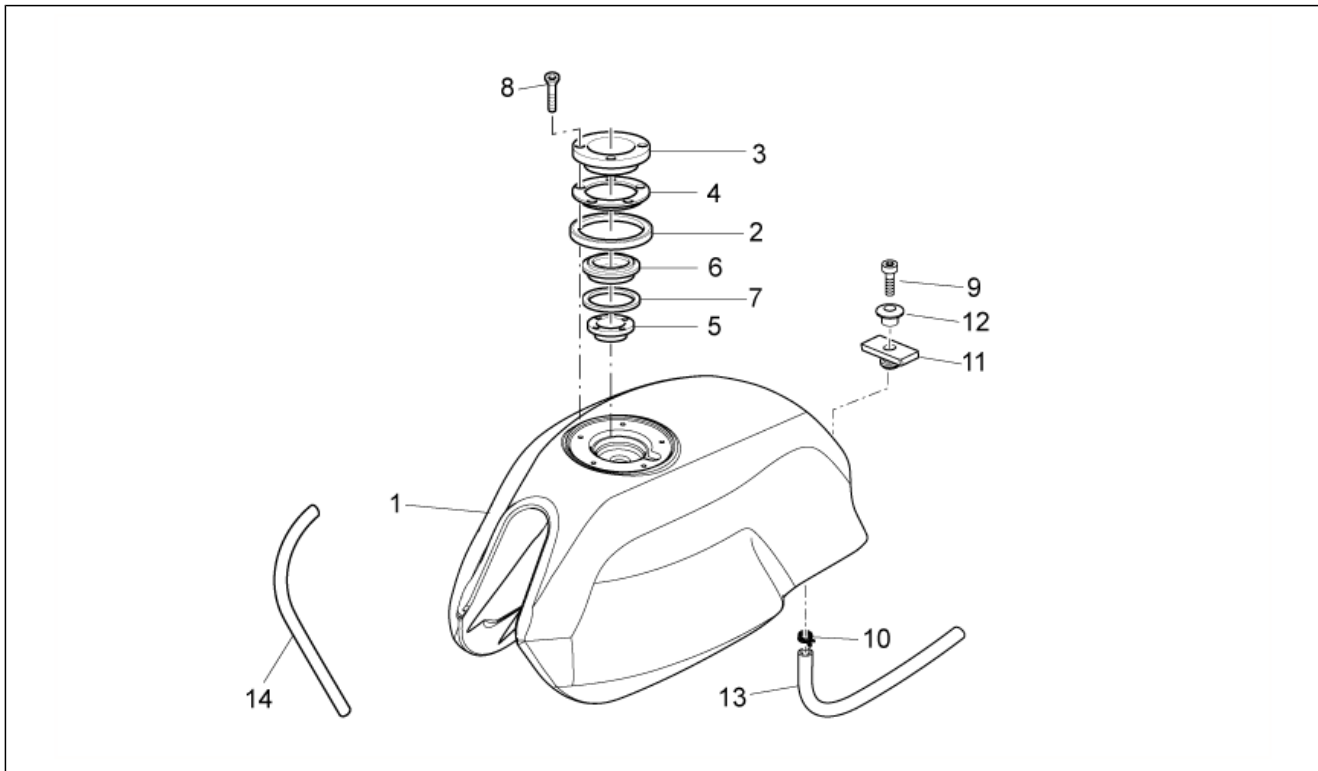
Pos.	Code	Description	Quant	Variants
29	2R000109	Fourreau D	1	
30	887912	Cavalier inf.	2	
31	887913	Cavalier sup.	2	
32	887914	Vis M8x30	4	
33	887915	Vis M10x60	2	
34	887916	Joint torique 4118	2	
35	GU23943410	Bouchon	4	

<b>Groupe</b>	CHASSIS
<b>Code</b>	33.11
<b>Description</b>	Amortisseur AR
<b>Révision</b>	1



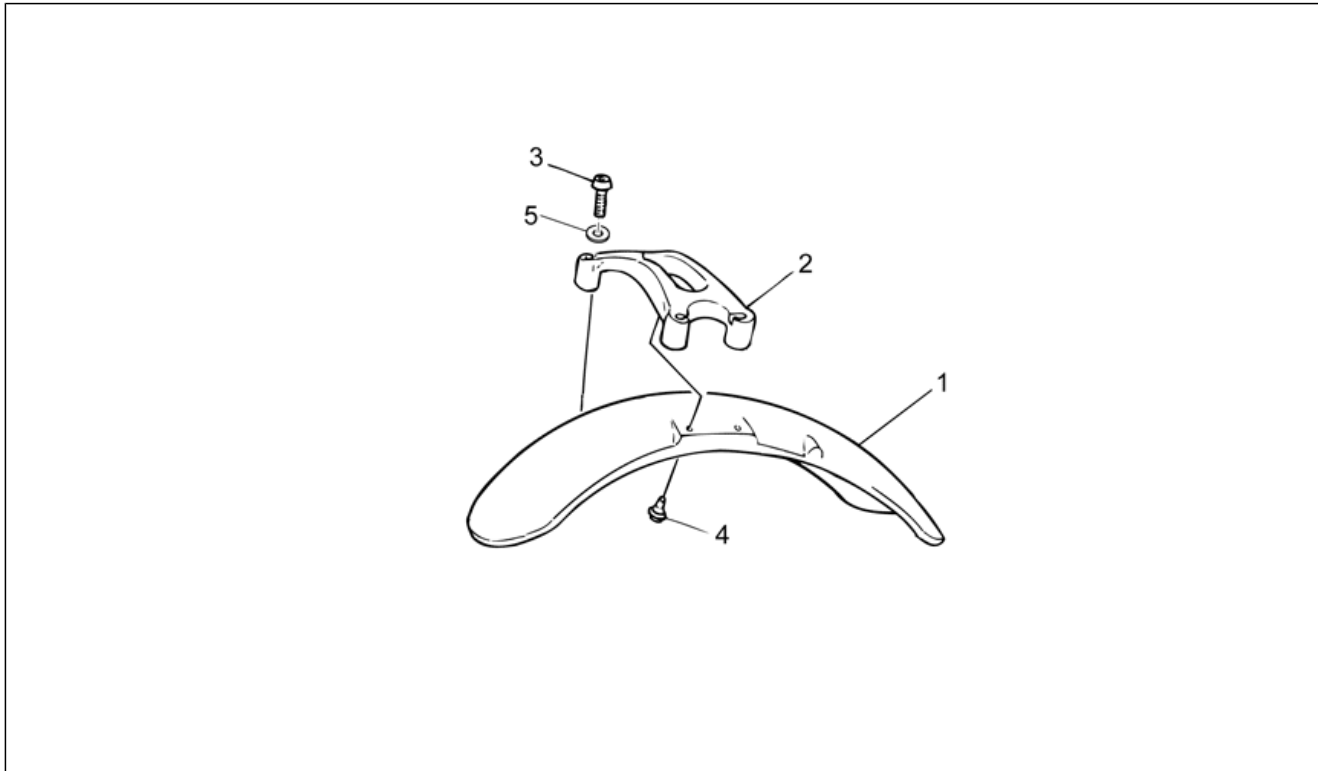
Pos.	Code	Description	Quant	Variants
1	2B000899	Amortisseur AR	2	
2	AP8152278	Vis bride M6x16	1	
3	898164	Entretoise amortis.	1	
4	GU32555210	Pivot	1	
5	GU32555211	Pivot	1	
6	GU95129181	Rondelle	1	
7	GU92606210	Ecrou M10x1,5	1	
8	GU98690335	Vis	2	

<b>Groupe</b>	CHASSIS
<b>Code</b>	33.12
<b>Description</b>	Réservoir essence
<b>Révision</b>	1



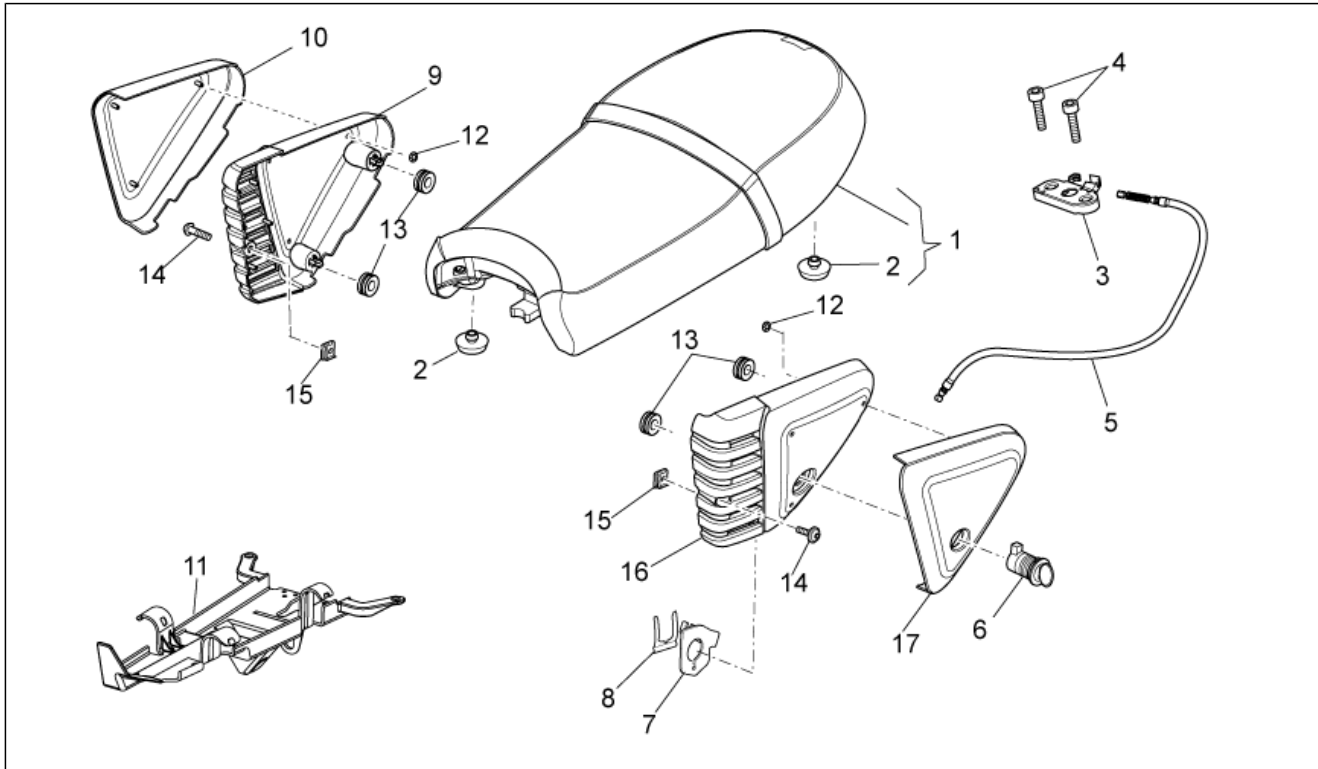
Pos.	Code	Description	Quant	Variants
1	2H000414000XN6	Réservoir noir	1	<b>Couleur véhicule:</b> Noir Diablo[ND] <b>Spécifications techniques:</b> Avec autocollant[D]
1	2H000414000YE6	Réservoir essence peint gris	1	<b>Couleur véhicule:</b> Grigio York[Gy] <b>Spécifications techniques:</b> Avec autocollant[D]
1	2H000414000YG4	Cache-réservoir, jaune	1	<b>Couleur véhicule:</b> Giallo Melon[GM] <b>Spécifications techniques:</b> Avec autocollant[D]
1	2H000414000YR2	Réservoir essence peint rouge	1	<b>Couleur véhicule:</b> Rouge Ibis[RI] <b>Spécifications techniques:</b> Avec autocollant[D]
1	887207	Réservoir d'ess. écru	1	<b>Couleur véhicule:</b>
2	GU03102400	Joint	1	
3	GU03101900	Bride	1	
4	GU03103500	Bague	1	
5	GU03101720	Reduction 38 mm	1	
6	GU03102200	Embout pour bouchon	1	
7	GU03101600	Joint	2	
8	GU03103200	Vis	5	
9	GU98682430	Vis M8x30	1	
10	AP8101595	Collier D10,1	1	
11	AP8120557	Caoutchouc réserv.	1	
12	AP8121673	Douille en "T" *	1	
13	GU00823944050	Tuyau 5X9	1	
14	2B000909	Joint	1	

<b>Groupe</b>	CHASSIS
<b>Code</b>	33.13
<b>Description</b>	Carrosserie av. - Garde-boue AV
<b>Révision</b>	1



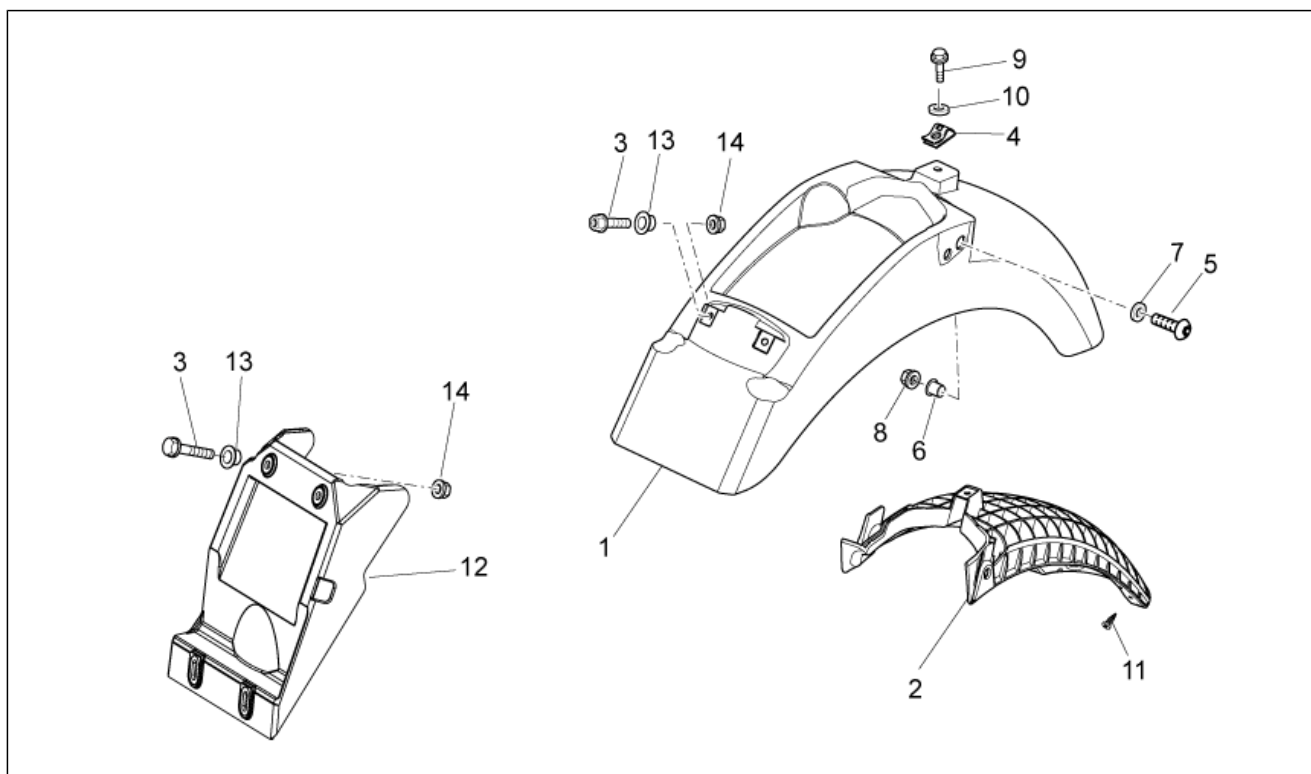
Pos.	Code	Description	Quant	Variants
1	88635200XN6	Garde-boue AV noir	1	
1	GU32434460	Garde-boue av.brut	1	Couleur véhicule:Brut[GR]
2	883266	Plaque de stabilisation	1	
3	GU98370845	Vis	4	
4	GU31439565	Vis spéciale	4	
5	GU14615901	Rondelle 8,4X13X0,8	4	

<b>Groupe</b>	CHASSIS
<b>Code</b>	33.14
<b>Description</b>	Selle-Carosserie cent.
<b>Révision</b>	1



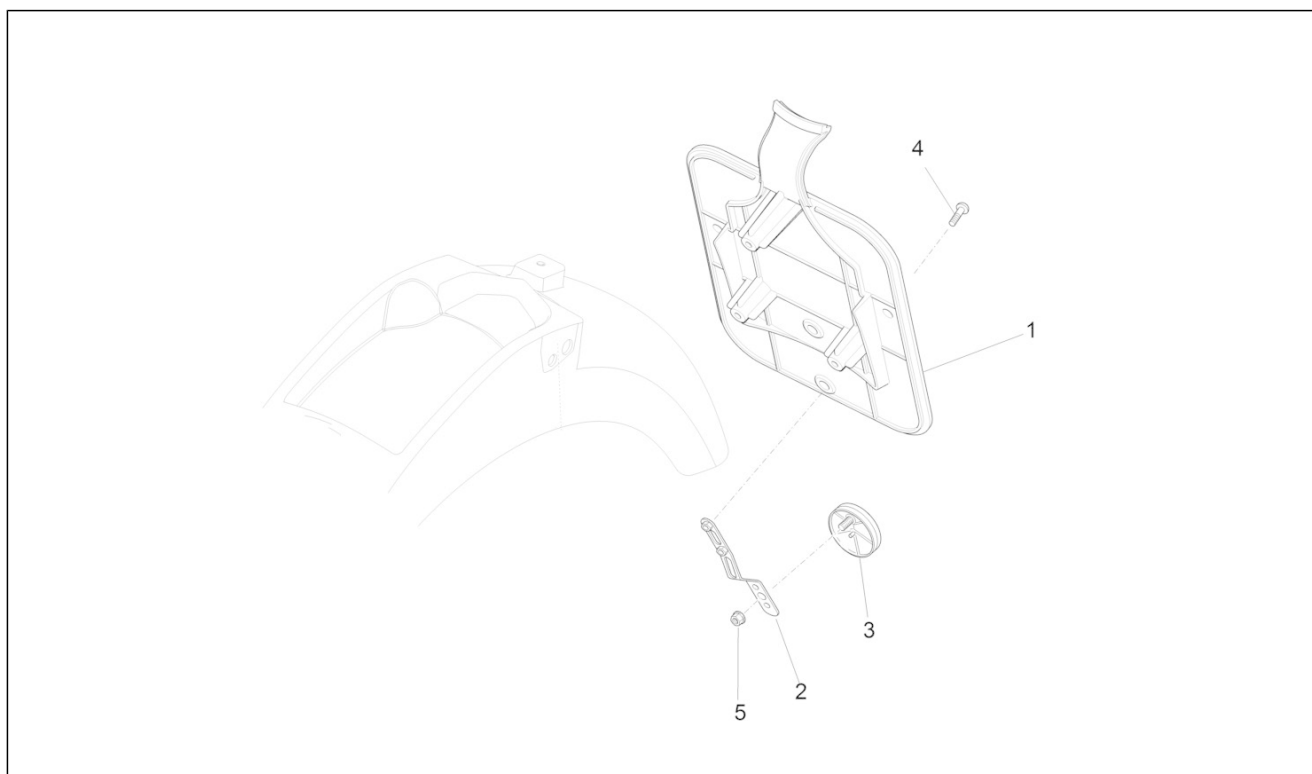
Pos.	Code	Description	Quant	Variants
1	2B000880	Selle deux places	1	
2	GU32461610	Caoutchouc	8	
3	AP8102913	Pl.fix.selle pass.	1	
4	GU98370625	Vis	2	
5	883295	Transmission décrochement sell	1	
6	977527	Serrure avec clés	1	
7	AP8121420	Ressort à fourche	1	
8	978415	Plaque support câble	1	
9	2B000878	Flanc D	1	
10	2H000722000XN6	Flanc D, noir	1	Spécifications techniques:Avec autocollant[D]
10	978940	Flanc D, brute	1	Couleur véhicule:Brut[GR]
11	B063431	Protection	1	
12	AP8150450	Rondelle pour arbres D5	1	
13	GU91551086	Caoutchouc	4	
14	AP8152339	Vis bride M5x9	2	
15	AP8102375	Clip m5	2	
16	2B000840	Flanc G	1	
17	2H000723000XN6	Flanc G, noir	1	Spécifications techniques:Avec autocollant[D]
17	978943	Flanc G, brute	1	Couleur véhicule:Brut[GR]

<b>Groupe</b>	CHASSIS
<b>Code</b>	33.15
<b>Description</b>	Carrosserie arrière I- Garde-boue
<b>Révision</b>	1



Pos.	Code	Description	Quant	Variants
1	978946	Garde-boue ar.brut	1	
1	97894600XN6	Garde-boue arrière noir	1	<b>Année:</b> <b>Couleur véhicule:</b> Noir Diablo[ND]
2	978947	Soutien	1	
3	AP8152278	Vis bride M6x16	4	
4	254485	Plaquelette elastique M6	1	
5	GU98690435	Vis M8x35	2	
6	GU91120806	Entretoise	2	
7	GU95005310	Rondelle 8,4x18x2	2	
8	GU92630108	Ecrou	2	
9	AP8152279	Vis bride M6x20	2	
10	AP8121032	Douille	2	
11	AP8152329	Vis SWP crois. brid. M5x20	3	
12	2B001783	Bavolet AR	1	
13	AP8121032	Douille	6	
14	AP8152299	Ecrou autobloqu. M6	6	

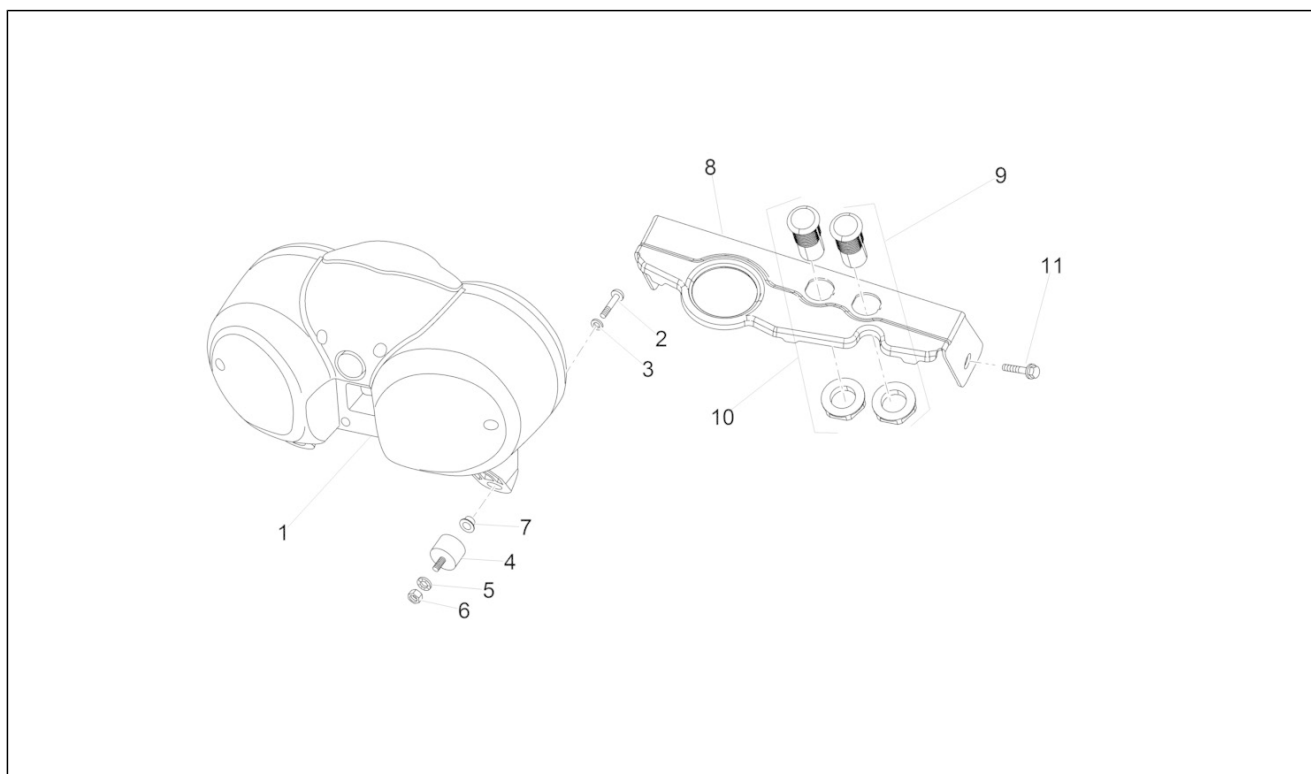
<b>Groupe</b>	CHASSIS
<b>Code</b>	33.16
<b>Description</b>	Carrosserie arrière II- Porte-plaque
<b>Révision</b>	1



Pos.	Code	Description	Quant	Variants
1	978949	Porte-plaque	1	
2	AP8134448	Support catadioptre	1	
3	AP8224164	Catadioptre arrière, rouge	1	
4	GU98230510	Vis	1	
5	AP8152306	Ecrou autobloqu. m5	1	

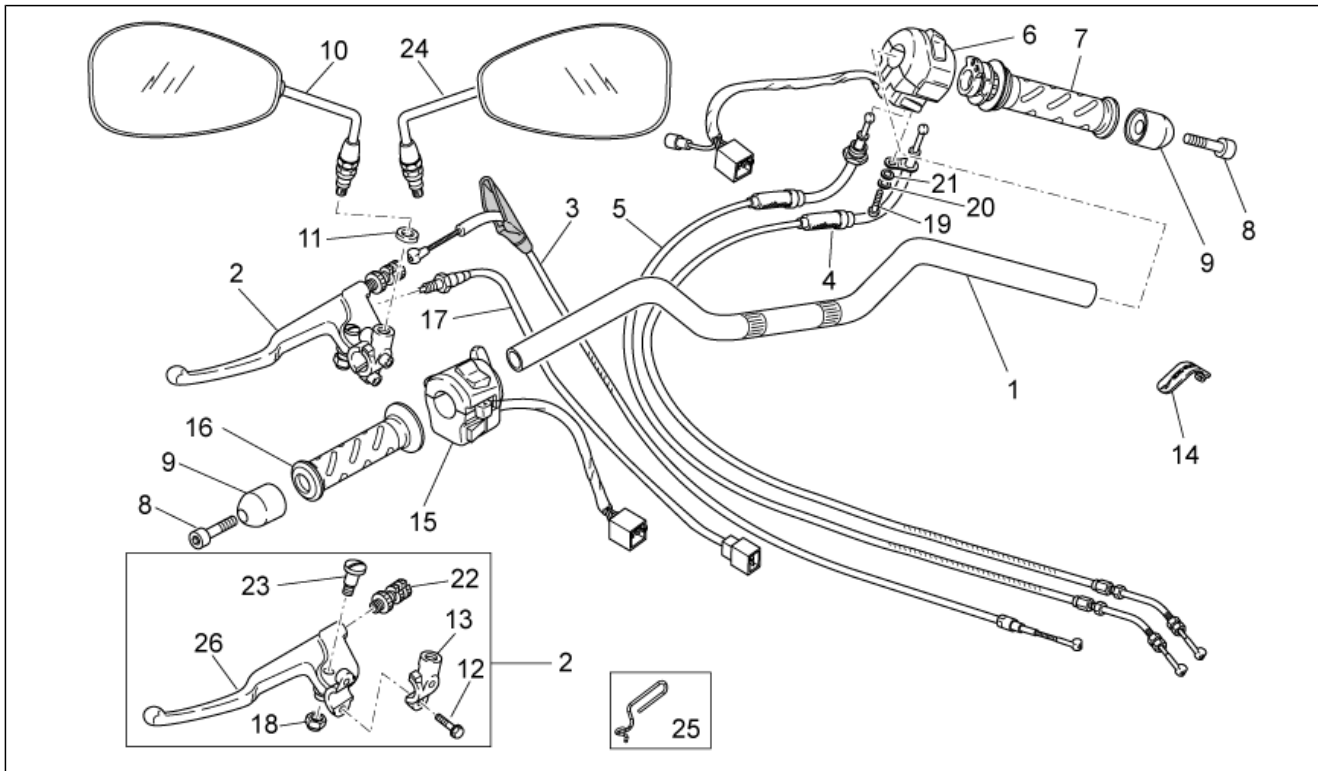


<b>Groupe</b>	CHASSIS
<b>Code</b>	33.17
<b>Description</b>	Tableau de bord
<b>Révision</b>	1



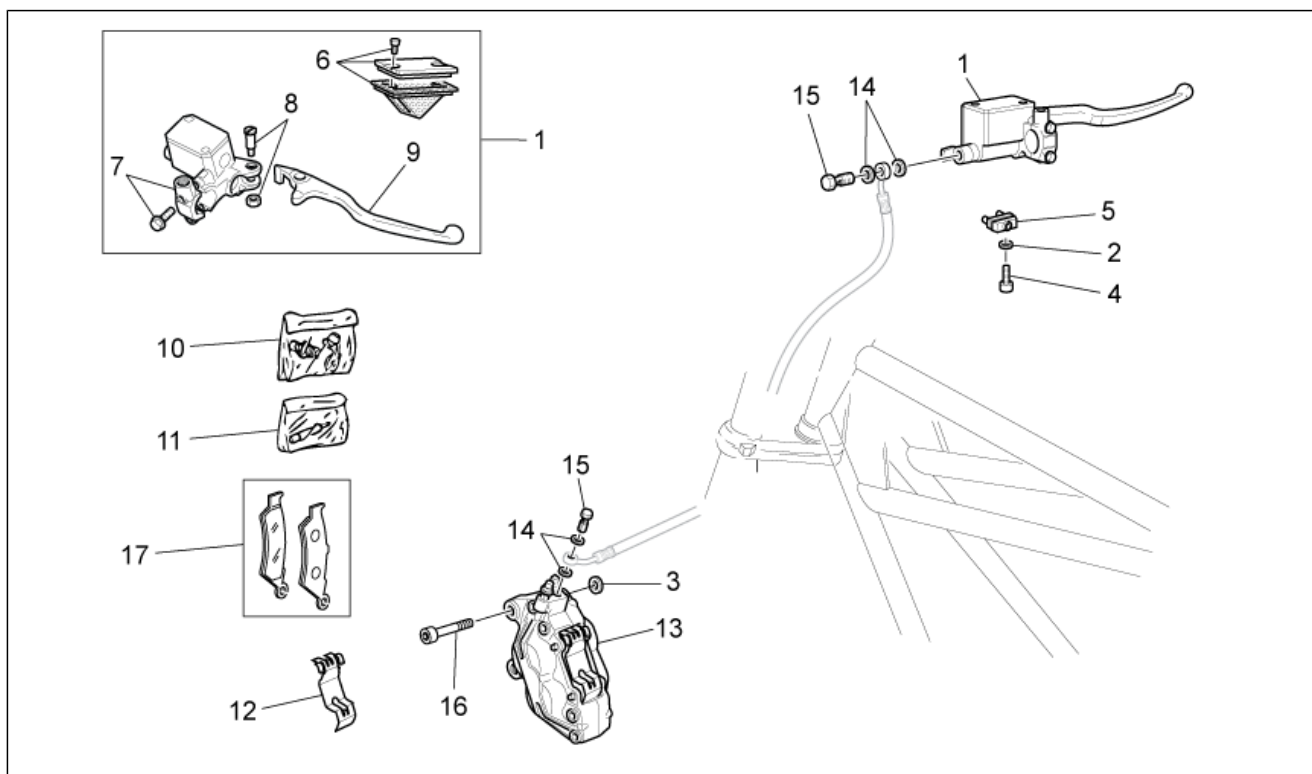
Pos.	Code	Description	Quant	Variants
1	887194	Tableau de bord km/h	1	
2	GU98370609	Vis M6x10	3	
3	GU95005306	Rondelle 6,4x13x1,5	3	
4	GU93222023	Silentbloc	3	
5	GU95021206	Rondelle	3	
6	GU92606206	Ecrou	3	
7	AP8121032	Douille	3	
8	2B001101	Cadre outils	1	
9	2D000022	Temoin MGCT	1	
10	2D000021	Temoin ABS	1	
11	GU98692414	Vis M8x14	2	

<b>Groupe</b>	CHASSIS
<b>Code</b>	33.18
<b>Description</b>	Guidon - Commandes
<b>Révision</b>	1



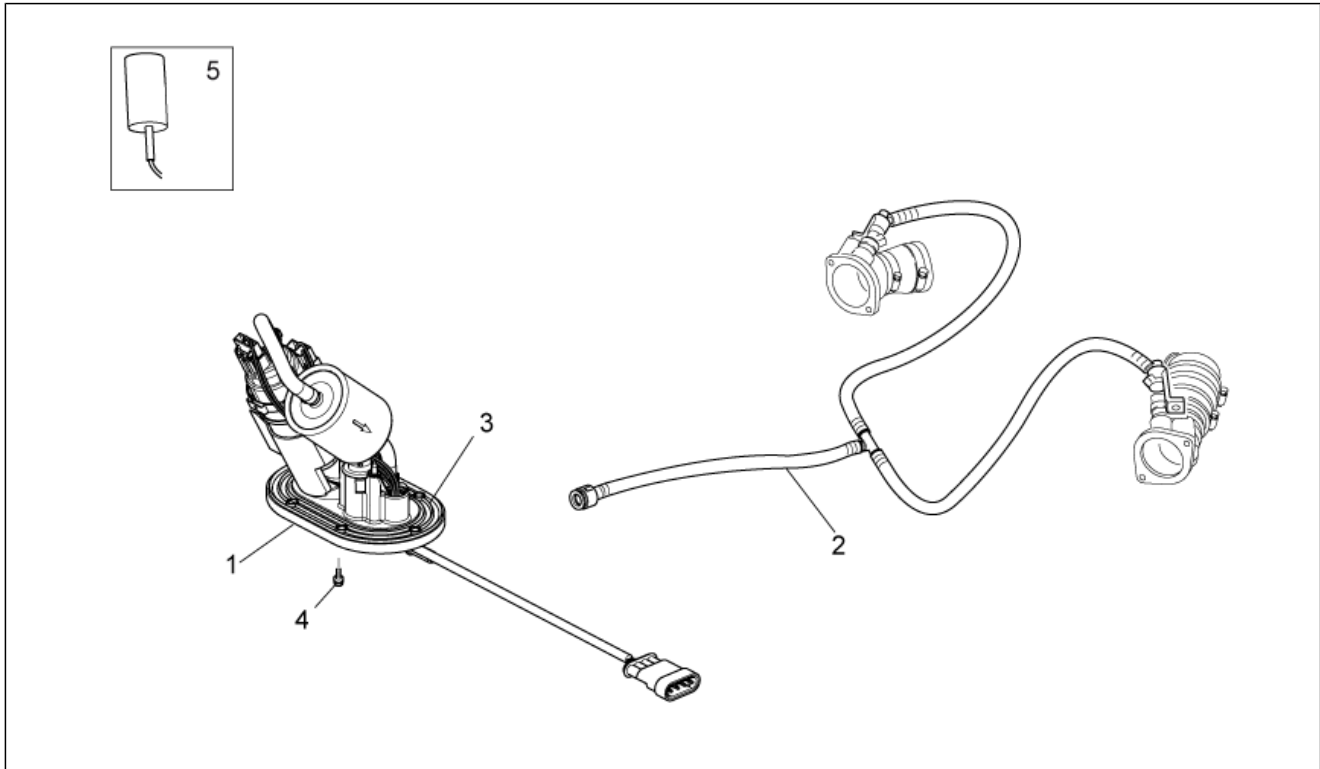
Pos.	Code	Description	Quant	Variants
1	978960	Guidon	1	
2	2B001300	Levier embrayage complet	1	
3	2B001202	Câble embrayage	1	
4	887852	Câble ouverture gaz	1	
5	887853	Câble fermeture gaz	1	
6	B063135	Déviateur feux dte	1	
7	GU32603310	Poignée dr.	1	
8	GU98690335	Vis	2	
9	AP8104509	Masse antivibratile n	2	
10	2B001048	Miroir rétroviseur dte	2	
11	GU91181003	Entretoise 10,25X20X4	2	
12	GU97202325	Vis bride noir M6x25	2	
13	GU30601060	Etrier	1	
14	GU01609630	Collier L46 mm	2	
14	GU03609600	Collier L36 mm	1	
15	B063975	Déviateur feux gche	1	
16	GU32603010	Poignée gc.	1	
17	GU29759150	Interrupteur béquille	1	
18	AP8213388	Ecrou autobloqu.	1	
19	GU98230510	Vis	1	
20	GU95008305	Rondelle 5,3X10X1	1	
21	GU95021105	Rondelle évent.	1	
22	GU30602500	Réglage	1	
23	AP8213028	Vis	1	
24	2B001049	Miroir rétroviseur gche	1	
25	2B001138	Passe-câble	1	
26	2B001998	Levier commande embr.	1	

<b>Groupe</b>	CHASSIS
<b>Code</b>	33.19
<b>Description</b>	Sys.frein avant
<b>Révision</b>	1



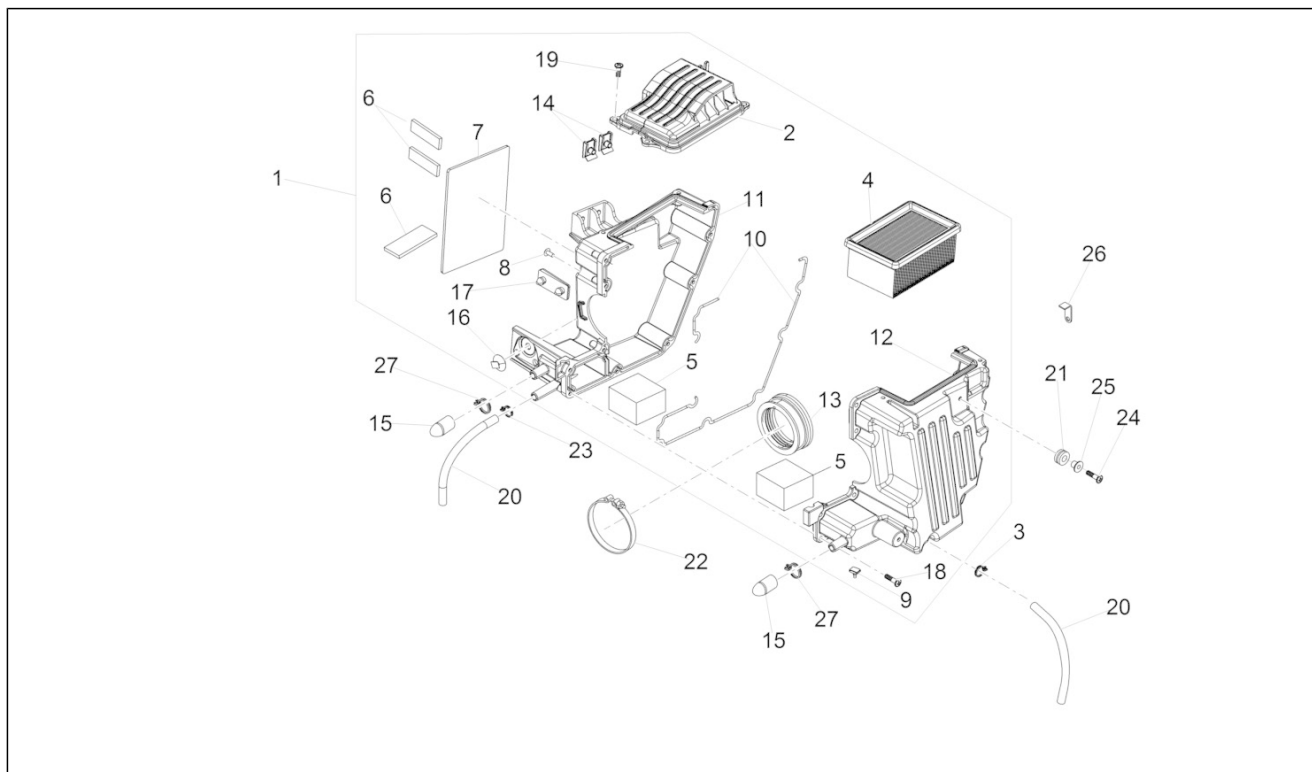
Pos.	Code	Description	Quant	Variants
1	2B001199	Maît. cyl. frein AV	1	
2	GU95021104	Rondelle 4,3x8x1,5	1	
3	GU91181003	Entretoise 10,25X20X4	2	
4	AP8152043	Vis M4x10	1	
5	GU03749845	Contacteur de stop	1	
6	2B001928	Couvercle pompe	1	
7	2B001929	Cavalier	1	
8	2B001927	Goujon de levier cpl.	1	
9	2B001926	Levier frein	1	
10	GU05659230	Purge+capuchon	1	
11	GU01659130	Pivots+ressorts pince	1	
12	GU01659131	Ressort	1	
13	2B001197	Etrier de frein av. gauche	1	
14	AP8113004	Rondelle 10x14x1,6*	4	
15	AP8113003	Vis tuyau huile *	2	
16	AP8152385	Vis M10x1,25	2	
17	883673	Plaquettes-paire	1	

<b>Groupe</b>	CHASSIS
<b>Code</b>	33.21
<b>Description</b>	Pompe essence
<b>Révision</b>	1



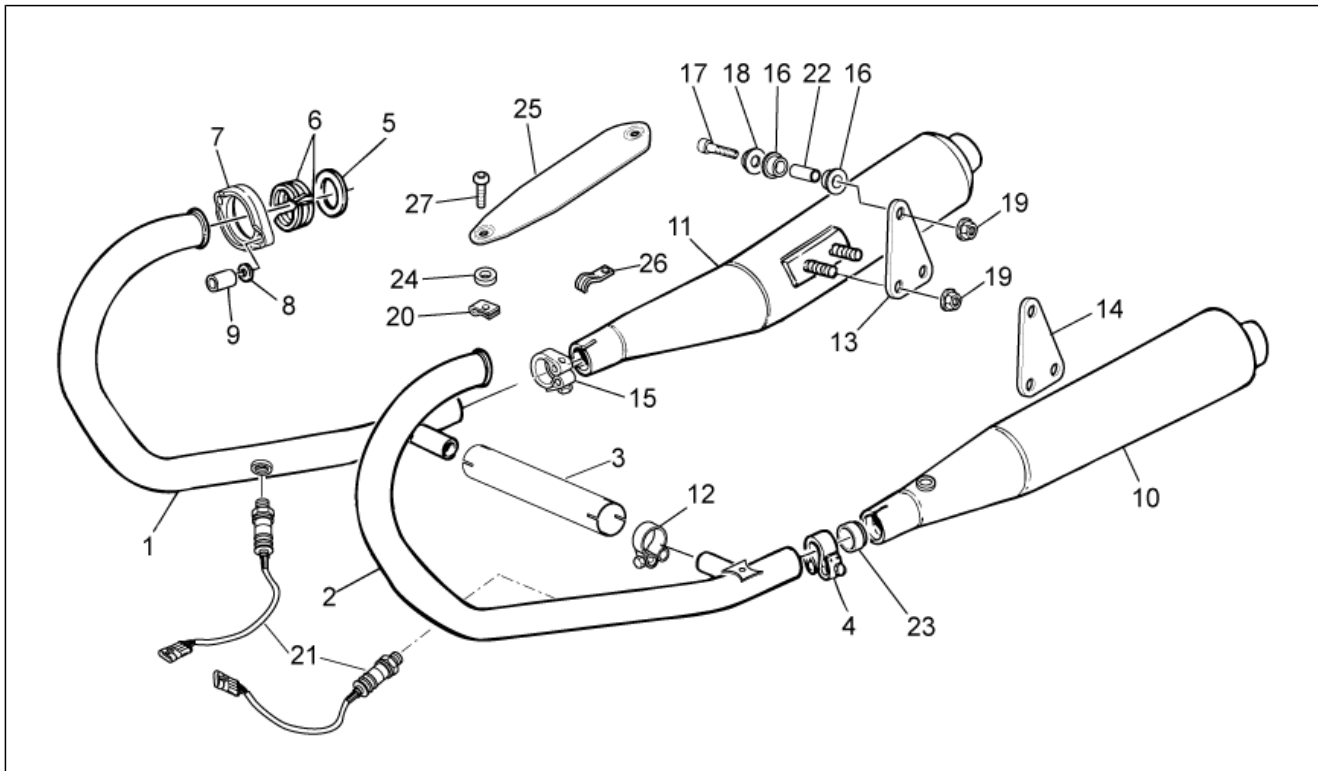
Pos.	Code	Description	Quant	Variants
1	B063752	Pompe carburant	1	
2	2B001342	Tuyau essence	1	
3	GU05107430	Joint	1	
4	AP8152273	Vis bride M5X15	6	
5	887787	Détecteur niveau essence	1	

<b>Groupe</b>	CHASSIS
<b>Code</b>	33.22
<b>Description</b>	Corps filtre
<b>Révision</b>	1



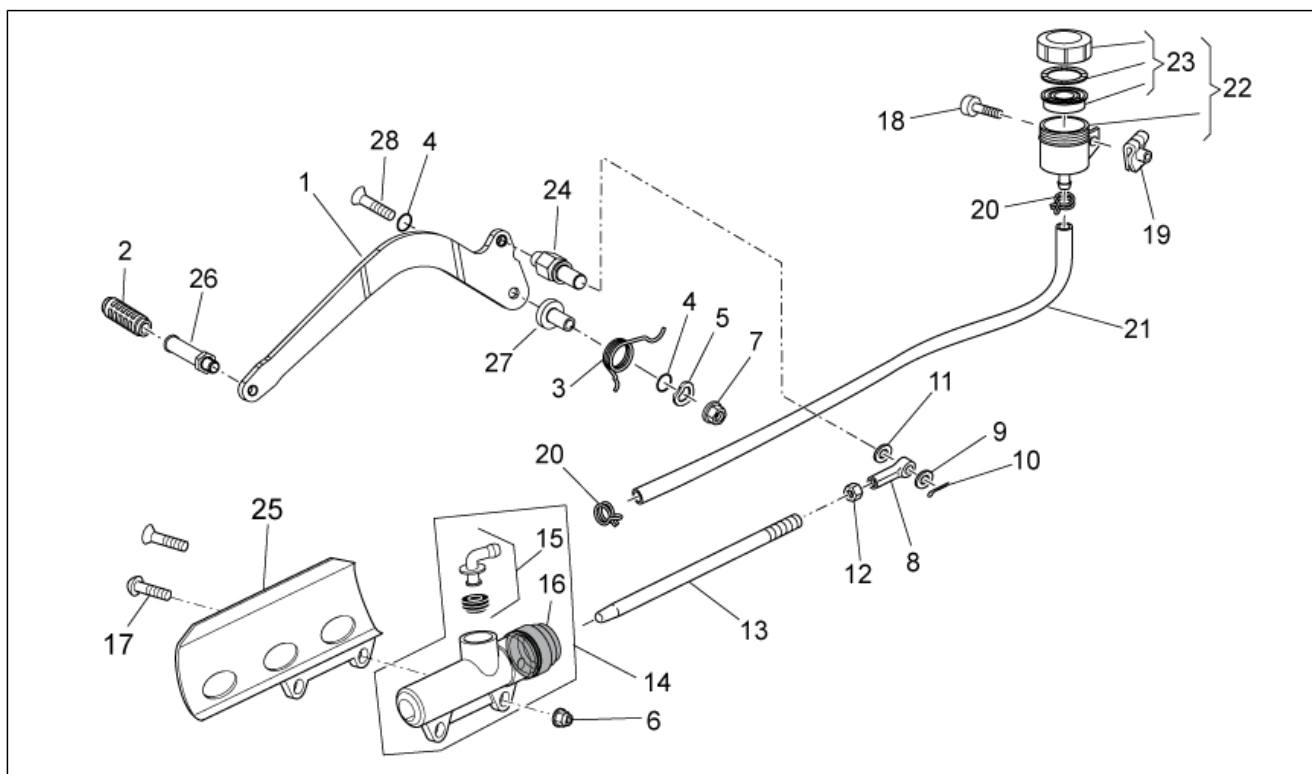
Pos.	Code	Description	Quant	Variants
1	8878421	Boîtier filtre complet	1	
2	887843	Couvercle de filtre	1	
3	AP8201358	Collier D 11,9	1	
4	AP8104924	Filtre air	1	
5	AP8104525	Filtre blow-by	2	
6	883127	Coautchouc pour support 5mm	1	
7	AP8144553	Coautchouc pour support	1	
8	AP8120876	Bouchon de fermeture	2	
9	AP8120455	Caoutchouc	1	
10	AP8120615	Joint D3	2	
11	887844	Coquille D de boîtier de filtre	1	
12	887845	Coquille G de boîtier de filtre	1	
13	887815	Manchon d'aspiration	1	
14	254485	Plaquette elastique M6	2	
15	AP8161054	Capuchon	2	
16	890760	Support instruments	1	
17	AP8144729	Tampon fin de course béquille	1	
18	AP8152329	Vis SWP crois. brid. M5x20	9	
19	AP8150509	Vis taraud 5x14	4	
20	AP8120772	Tuyau reniflard radiateur	1	
21	GU91551010	Caoutchouc	2	
22	CM258303	Collier 63	1	
23	AP8102766	Collier	3	
24	AP8152329	Vis SWP crois. brid. M5x20	2	
25	AP8221023	Douille en "T"	2	
26	GU31112965	Equerre	1	
27	AP8102520	Collier serr. Tube	2	

<b>Groupe</b>	CHASSIS
<b>Code</b>	33.23
<b>Description</b>	Groupe echappement
<b>Révision</b>	1



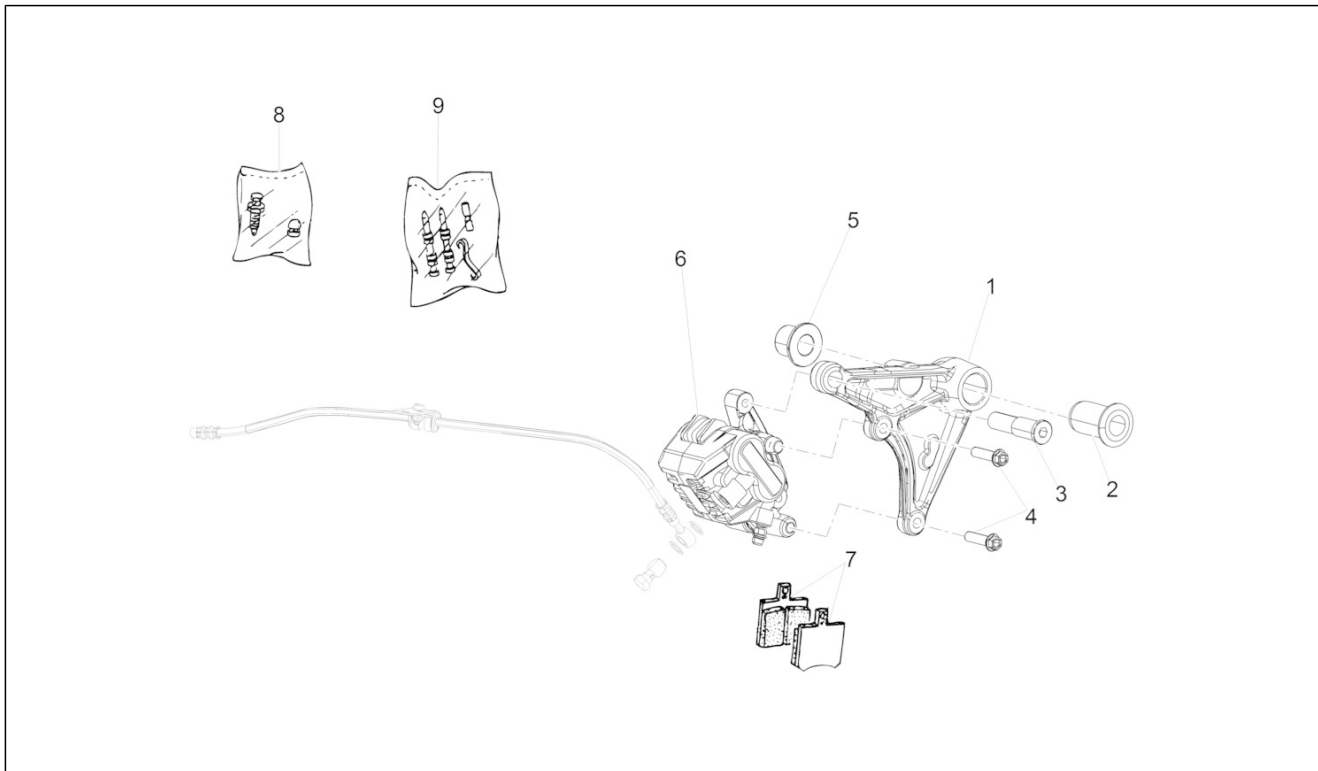
Pos.	Code	Description	Quant	Variants
1	2B000995	Collecteur échapp. D	1	
2	2B000996	Collecteur échapp. G	1	
3	B063022	Raccord collecteurs échap.	1	
4	883294	Collier silencieux gauche	1	
5	GU19025280	Joint	2	
6	GU19025460	Entretoise	4	
7	GU32121010	Bague	2	
8	GU03013800	Rondelle 6,4x12	4	
9	GU31121880	Ecrou	4	
10	2B000177	Silencieux G	1	
11	2B000176	Silencieux D	1	
12	978385	Collier	2	
13	883297	Plaque d.	1	
14	883298	Plaque g.	1	
15	883293	Collier silencieux droit	1	
16	AP8144071	Caoutchouc pot	4	
17	GU98690440	Vis TCEI M8x40	2	
18	AP8134378	Douille fixation silencieux	2	
19	GU92640508	Ecrou M8	6	
20	254485	Plaquette elastique M6	2	
21	896110	Sonde lamda l.660 mm	2	
22	AP8121072	Entretoise	2	
23	GU91113826	Douille	2	
24	AP8120870	Rondelle isolante	4	
25	883704	Grille protec. pot	2	
26	GU93301175	Cavalier	1	
27	GU98210612	Vis bride M6x12	4	

<b>Groupe</b>	CHASSIS
<b>Code</b>	33.26
<b>Description</b>	Maît.cyl. frein AR
<b>Révision</b>	1



Pos.	Code	Description	Quant	Variants
1	887910	Levier frein	1	
2	AP8120912	Caoutchouc pour levier	1	
3	978969	Ressort	1	
4	AP8144007	Joint torique 11,11x1,78	2	
5	GU95005310	Rondelle 8,4x18x2	1	
6	GU92630206	Ecrou M6x1	2	
7	GU92660021	Ecrou bridé M8	1	
8	GU18257551	Bloc	1	
9	GU95005308	Rondelle 8,4x14,57x1,6	1	
10	GU95500221	Goupille	1	
11	658837	Rondelle élastique ondulée D15 F8,4 S1,5 - INOX	1	
12	GU92609007	Ecrou	1	
13	2B001597	Poussoir cde mai-cyl.	1	
14	2B000508	Maît.cyl. frein AR	1	
15	AP8213057	Raccord pompe arrière	1	
16	AP8113288	Soufflet en caoutchouc	1	
17	GU98370625	Vis	2	
18	AP8152298	Vis bride M5x16	1	
19	248419	Plaquette elastique m5	1	
20	AP8101594	Collier D10,1*	2	
21	GU00823950050	Tuyau huile	1	
22	AP8113241	Réserv.huile freins	1	
23	AP8113553	Bouchon réservoir	1	
24	887911	Pivot levier frein	1	
25	GU01665410	Protection maître cyl.noire	1	
26	887908	Pédale en caoutch.	1	
27	887952	Douille levier frein AR	1	
28	B063443	Vis FHC M8x50	1	

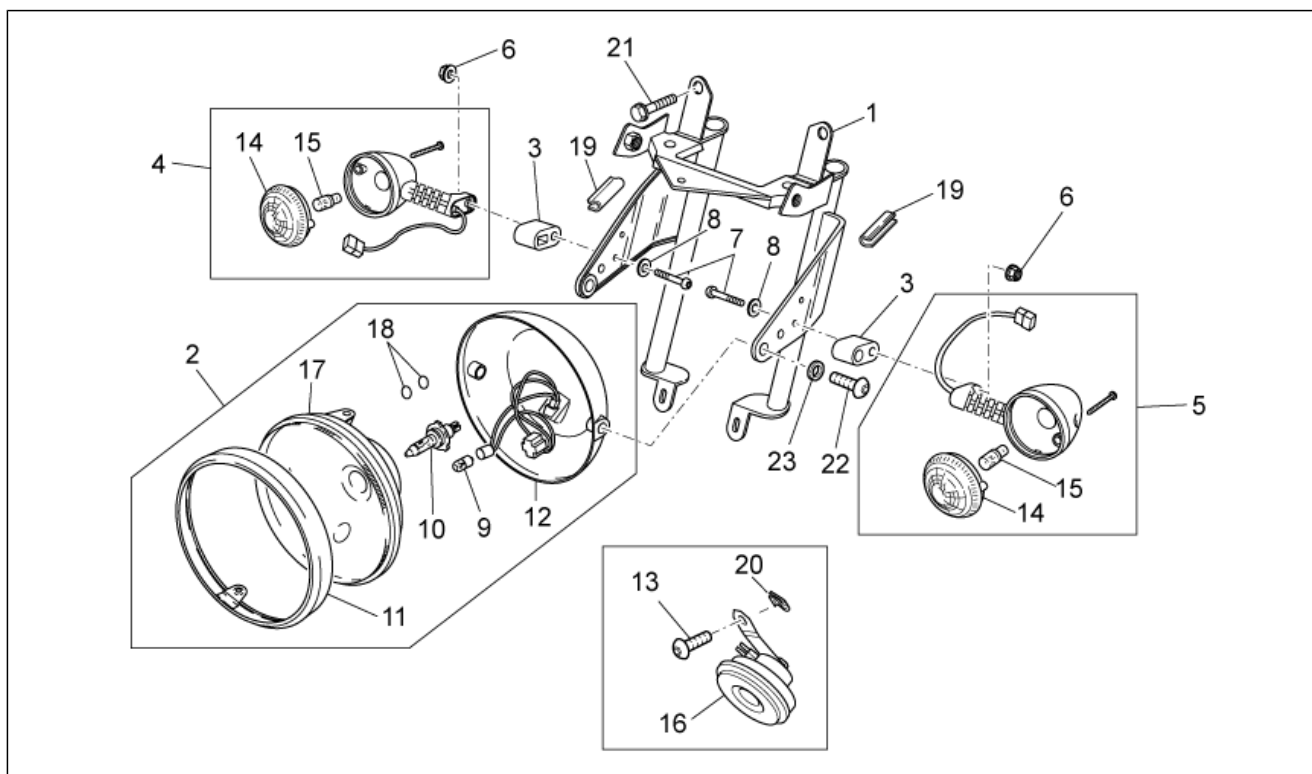
<b>Groupe</b>	CHASSIS
<b>Code</b>	33.27
<b>Description</b>	Pince frein AR
<b>Révision</b>	1



Pos.	Code	Description	Quant	Variants
1	2B000229	Plaque support étrier frein	1	
2	GU31634281	Douille	1	
3	GU31544181	Pivot	1	
4	AP8152288	Vis bride	1	
5	GU32634160	Entretoise	4	
6	2B000525	Pince frein arrière	1	
7			1	
8	GU31659281	Purge+capuchon	1	
9	GU31659181	Kit Axes+ressort	1	

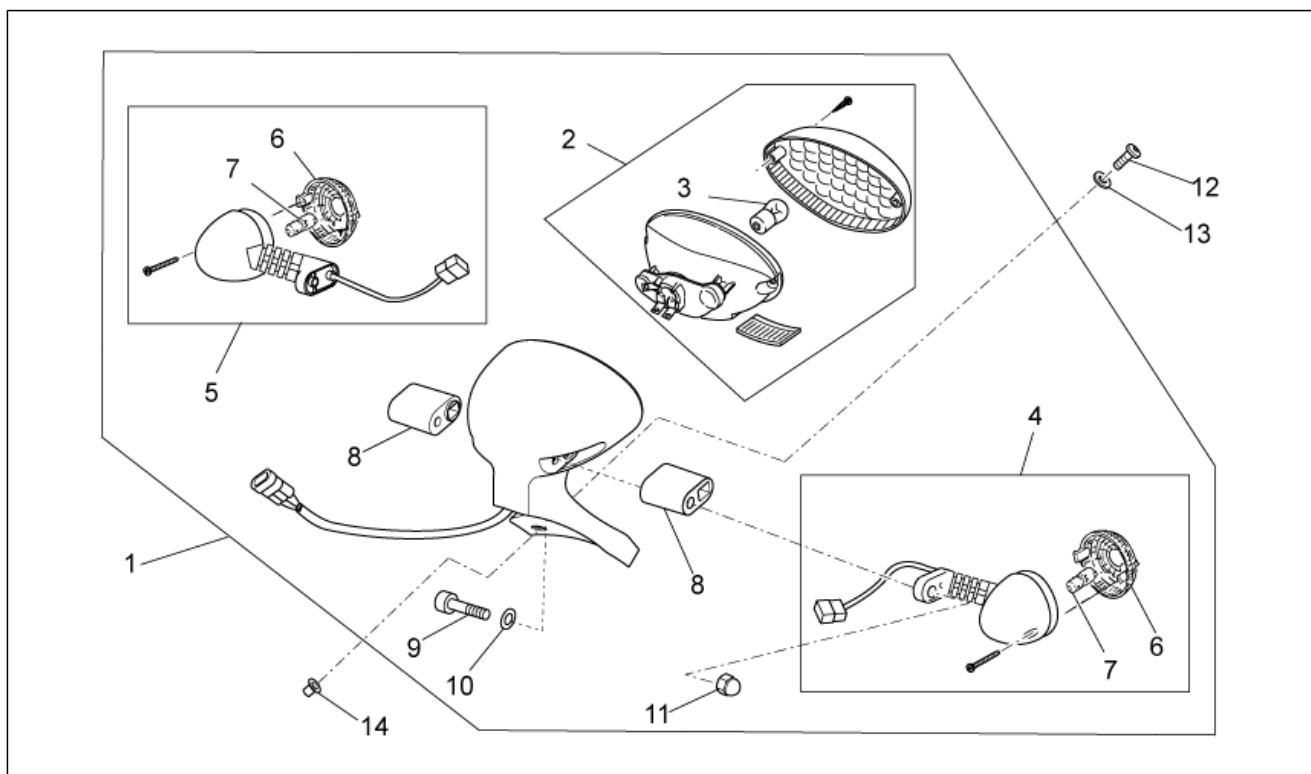


<b>Groupe</b>	CHASSIS
<b>Code</b>	33.28
<b>Description</b>	Feux avant
<b>Révision</b>	1



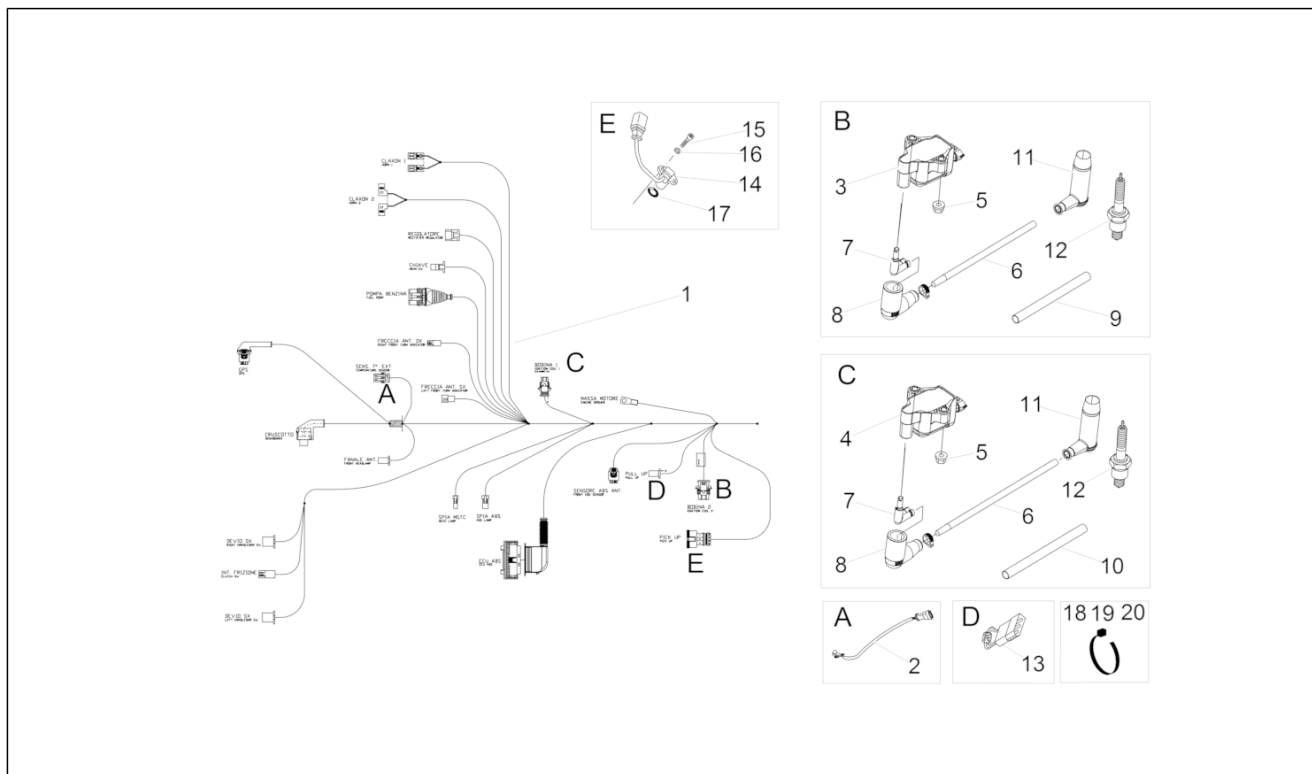
Pos.	Code	Description	Quant	Variants
1	GU32506360	Bride support feu	1	
2	978311	Phare avant	1	
3	GU32753410	Entretoise	2	
4	887826	Clignot.av.dr./arr.ga.	1	
5	887827	Clignot.av.ga./arr.dr.	1	
6	GU92787006	Ecrou borgne M6x1	2	
7	GU98370655	Vis	2	
8	GU95021206	Rondelle	2	
9	GU93450105	Lampe (ou Ampoule)	1	
10	GU93450232	Lampe (ou Ampoule) 12V-55/60W	1	
11	GU31740383	Bague chromée	1	
12	981149	Calotte, noir	1	
13	AP8150377	Vis	2	
14	B063735	Vitre clignotant	2	
15	GU93450126	Lampe orange	2	
16	890979	Klaxon	1	
17	GU06740400	Groupe optique	1	
18	883417	Joint torique	2	
19	GU00823931055	Joint	1	
20	254485	Plaquette elastique M6	2	
21	GU98880540	Vis M10x40	2	
22	GU98692420	Vis M8x20	2	
23	GU95005308	Rondelle 8,4x14,57x1,6	2	

<b>Groupe</b>	CHASSIS
<b>Code</b>	33.29
<b>Description</b>	Feux arriere
<b>Révision</b>	1



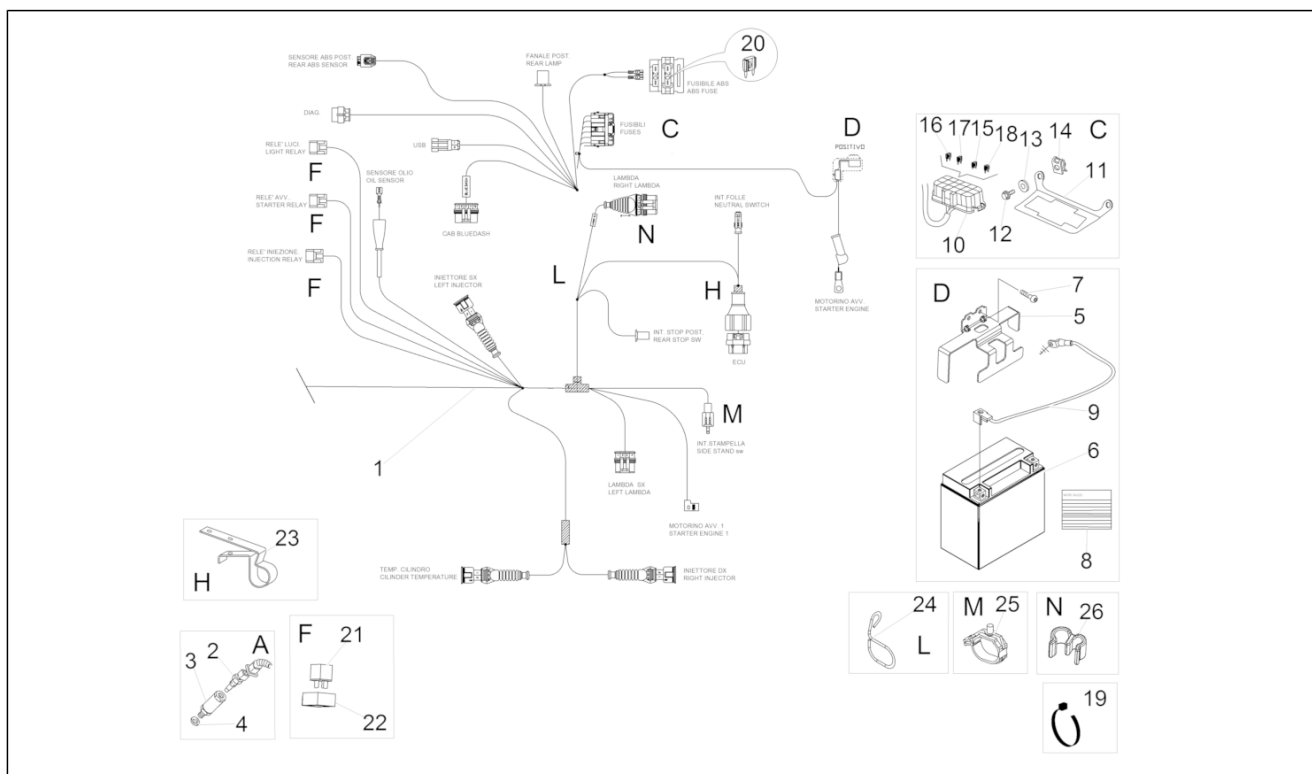
Pos.	Code	Description	Quant	Variants
1	2B001701	Feu arrière	1	
2	GU03740930	Feu arrière	1	
3	GU93450224	Lampe (ou Ampoule)	1	
4	887826	Clignot.av.dr./arr.ga.	1	
5	887827	Clignot.av.ga./arr.dr.	1	
6	B063735	Vitre clignotant	2	
7	GU93450126	Lampe orange	2	
8	GU32753410	Entretoise	2	
9	GU98370655	Vis	2	
10	GU95021206	Rondelle	2	
11	GU92787006	Ecrou borgne M6x1	2	
12	GU98350215	Vis	3	
13	GU30577800	Rondelle nylon 5,5X12X1	3	
14	GU93231605	Douille anti vibr.	3	

<b>Groupe</b>	CHASSIS
<b>Code</b>	33.30
<b>Description</b>	Circuit électrique I
<b>Révision</b>	1



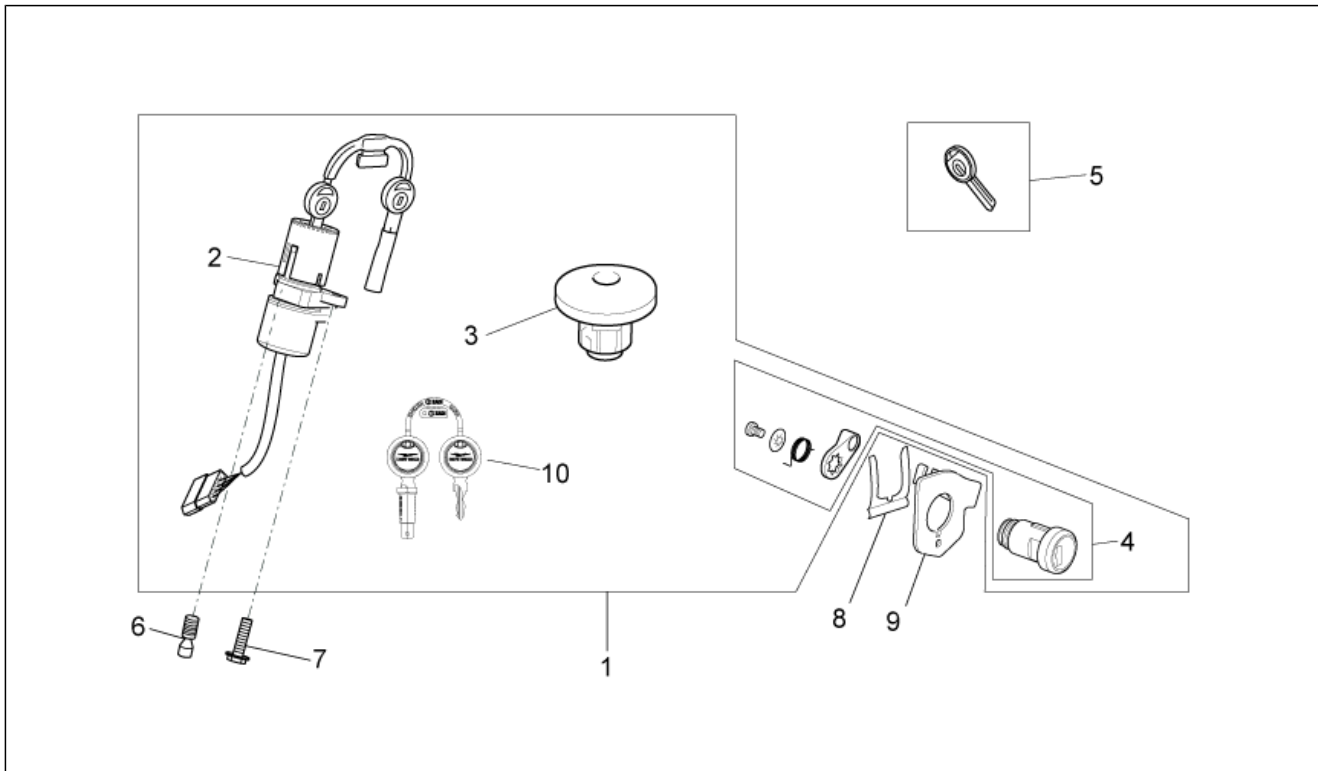
Pos.	Code	Description	Quant	Variants
1	2D000108	Câblage principal	1	
2	AP8124936	Détec. temper. air	1	
3	642034	Bobine HT DX	1	
4	641901	Bobine HT	1	
5	AP8152299	Ecrou autobloqu. M6	4	
6	080341	Câble de base H.T.	2	
7	641725	Borne H.T.	2	
8	641040	Capuchon isolant	2	
9	CM0074D0	Gaine D.8-S.0,5-L.370	1	
10	CM0074C9	Gaine de câble grise D.8-S.0,5-L.435	1	
11	2D000005	Capuchon bougie	2	
12	887481	Bougie NGK CPR8EB-9	2	
13	887948	Diode	1	
14	832029	Capteur codeur	1	
15	GU98682212	Vis M5x12	2	
16	GU95008205	Rondelle 5,3x10x0,8	2	
17	GU90706141	Joint torique	1	
18	AP8120416	Collier, noir 178x4	1	
19	GU49609601	Collier 2,4x92	1	
20	GU14609650	Collier 3,6x20,6	31	

<b>Groupe</b>	CHASSIS
<b>Code</b>	33.31
<b>Description</b>	Circuit électrique II
<b>Révision</b>	1



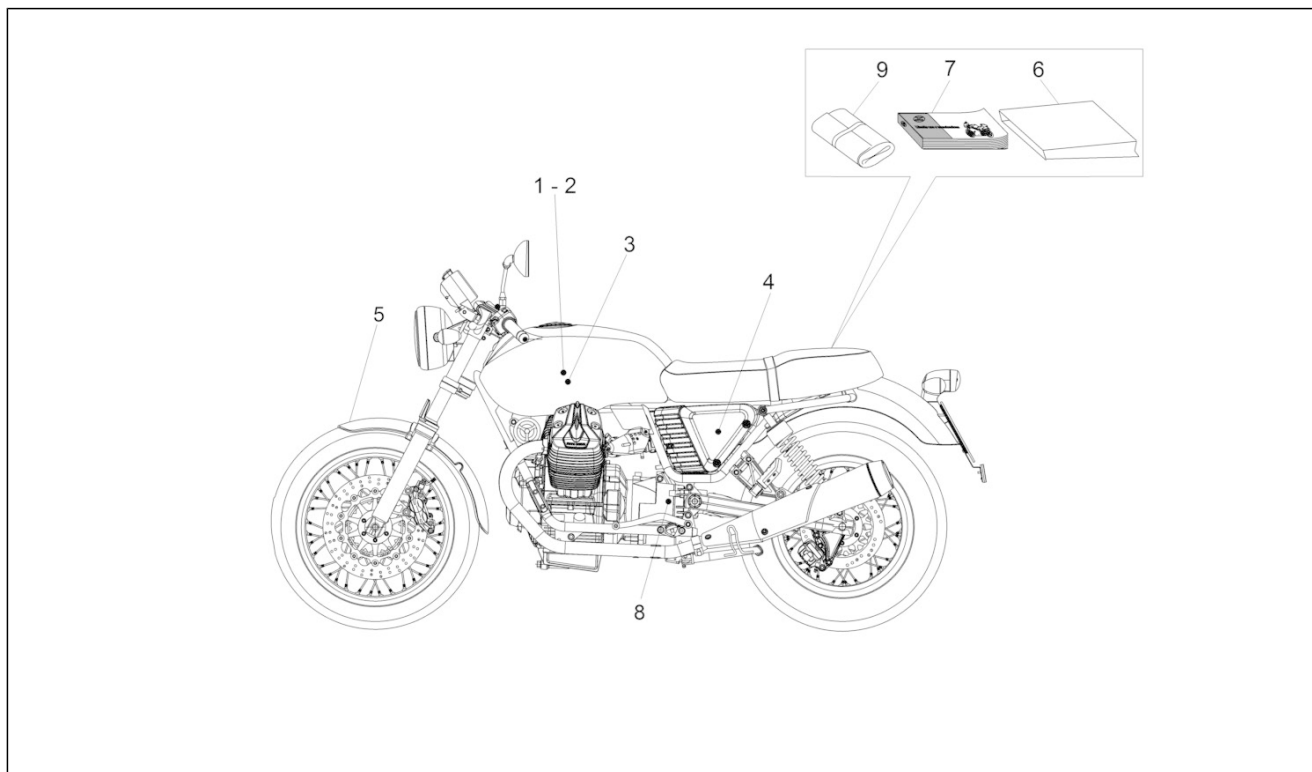
Pos.	Code	Description	Quant	Variants
1	2D000108	Câblage principal	1	
2	GU29729461	Capteur température huile	1	
3	GU03163330	Support détecteur	1	
4	GU95008210	Rondelle 10,2X18X2	4	
5	B063233	Support batterie	1	
6	638733	Batterie Yuasa 12V-12Ah (150x85x145)	1	
7	AP8152282	Vis bride M6x35	2	
8	GU32517710	Décalco "Battery service"	1	
9	GU32747910	Câblage masse-batterie	1	
10	584211	Boîte à fusibles	1	
11	883161	Support p-fusibles	1	
12	GU98682212	Vis M5x12	2	
13	GU95100059	Rondelle 5,25x14x1,5	2	
14	AP8102375	Clip m5	2	
15	CM225705	Fusible 5A	2	
16	CM225710	Fusible 10A	1	
17	CM225715	Fusible 15A	2	
18	CM225730	Fusible 30A	1	
19	AP8120416	Collier, noir 178x4	1	
19	GU14609650	Collier 3,6x20,6	21	
19	GU49609601	Collier 2,4x92	1	
20	CM225720	Fusible 20A	1	
21	AP8224462	Relais 12V/30A	3	
22	AP8220283	Caoutchouc *	3	
23	B043850	Collier	1	
24	AP8181140	Passer-câble	1	
25	CM013202	Clip d'arrêt des tuyaux/câbles	1	
26	894704	Passer-câble	1	

<b>Groupe</b>	CHASSIS
<b>Code</b>	33.32
<b>Description</b>	Kit serrure
<b>Révision</b>	1



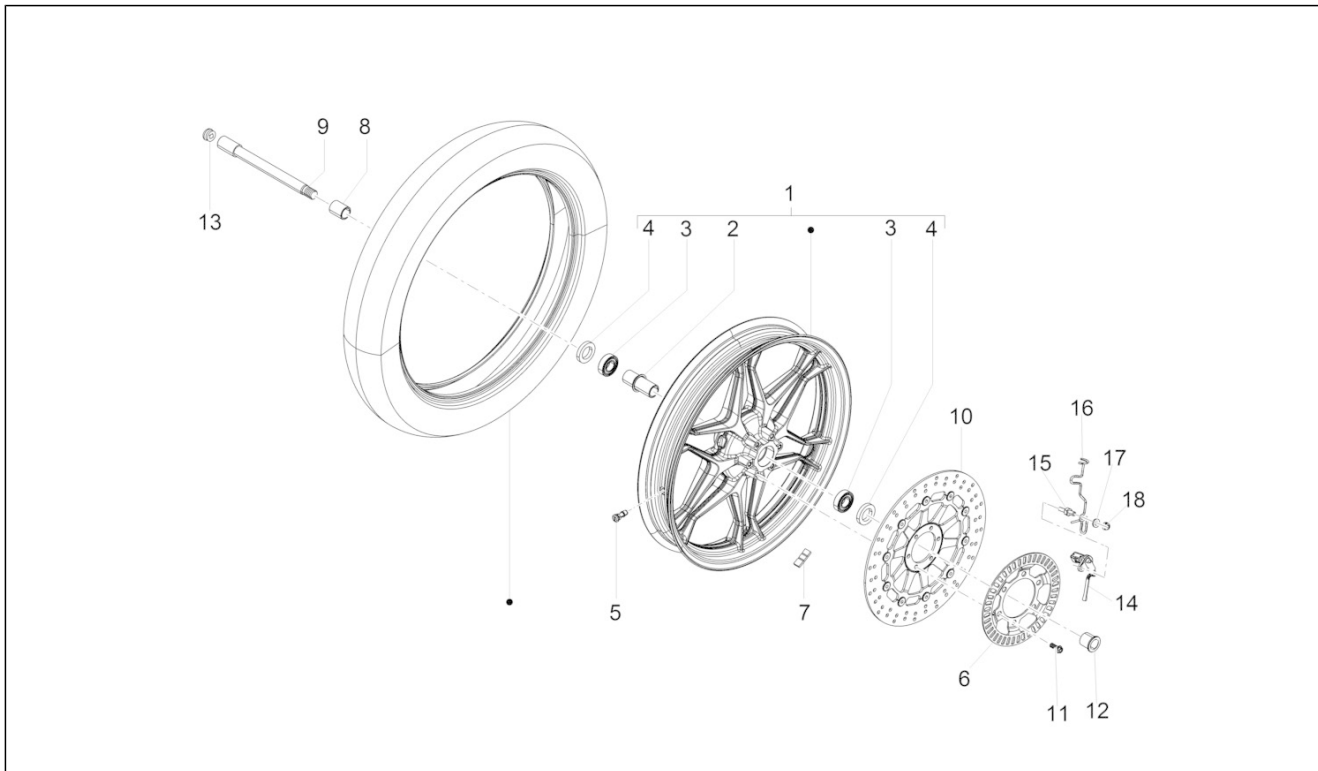
Pos.	Code	Description	Quant	Variants
1	887873	Kit serrures	1	
2	GU32782510	Bloc démarreur-bloc	1	
3	887874	Tappo serbatoio senza chiavi	1	
4	977527	Serrure avec clés	1	
5	GU32735510	Clé pas cantée brut-coque go	1	
6	AP8150349	Vis spéciale M8x15	1	
7	GU98682416	Vis M8x16	1	
8	AP8121420	Ressort à fourche	1	
9	978415	Plaque support câble	1	
10	2D000006	Cylindre de serrure avec clé pour bouchon d'essence	1	

<b>Groupe</b>	CHASSIS
<b>Code</b>	33.33
<b>Description</b>	Décalco et plaquettes
<b>Révision</b>	1



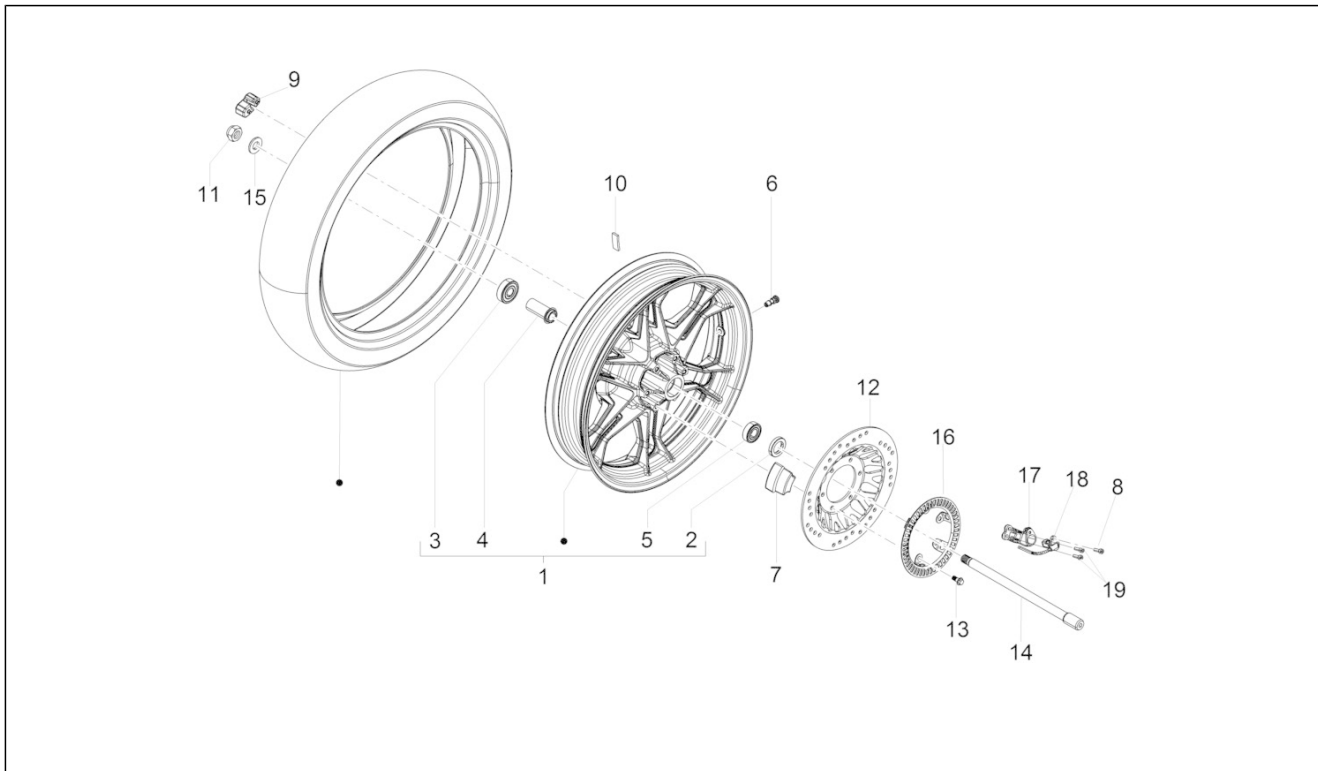
Pos.	Code	Description	Quant	Variants
1	886340	Plaque Aquila	1	
2	887930	Plaque G. Aquila	1	
3	2H000413	Décalco Moto Guzzi dx-sx	2	
4	2H000724	Targhetta dx-sx "V7 II"	2	
5	886141	Décalco "Aquila"	1	
6	GU05900130	Sachet pour documents	2	
7	2Q000056	Manuel instr.I-D-F-E-UK-NL I-F-D-E-NL-ES-EN	1	
8	895839	Plaque « Eni »	2	
9	887443	Trousse à outils	1	

<b>Groupe</b>	CHASSIS
<b>Code</b>	33.34
<b>Description</b>	Roue Av. II
<b>Révision</b>	1



Pos.	Code	Description	Quant	Variants
1	887571	Roue 2.5X18"	1	
2	GU31615283	Entretoise roulements	1	
3	GU92204221	Roulement	2	
4	GU90402642	Bague d'étanchéité	2	
5	GU03617710	Soupape tubeless	1	
6	887875	Wheel speed sensor, LH front	1	
7	GU14616150	Contrepoids	1	
8	GU32615660	Entretoise D	1	
9	GU31614183	Axe de roue AV	1	
10	883688	Disque frein avant 320	1	
11	AP8152286	Vis bride M8x20	6	
12	GU31616384	Entretoise G	1	
13	GU93180111	Bouchon 15 mm	1	
14	859792	Détecteur ABS	1	
15	2B001708	Entretoise	1	
16	2B001561	Passe-câble	1	
17	AP8150178	Rondelle 6,4x12,5*	1	
18	GU92630207	Ecrou	1	

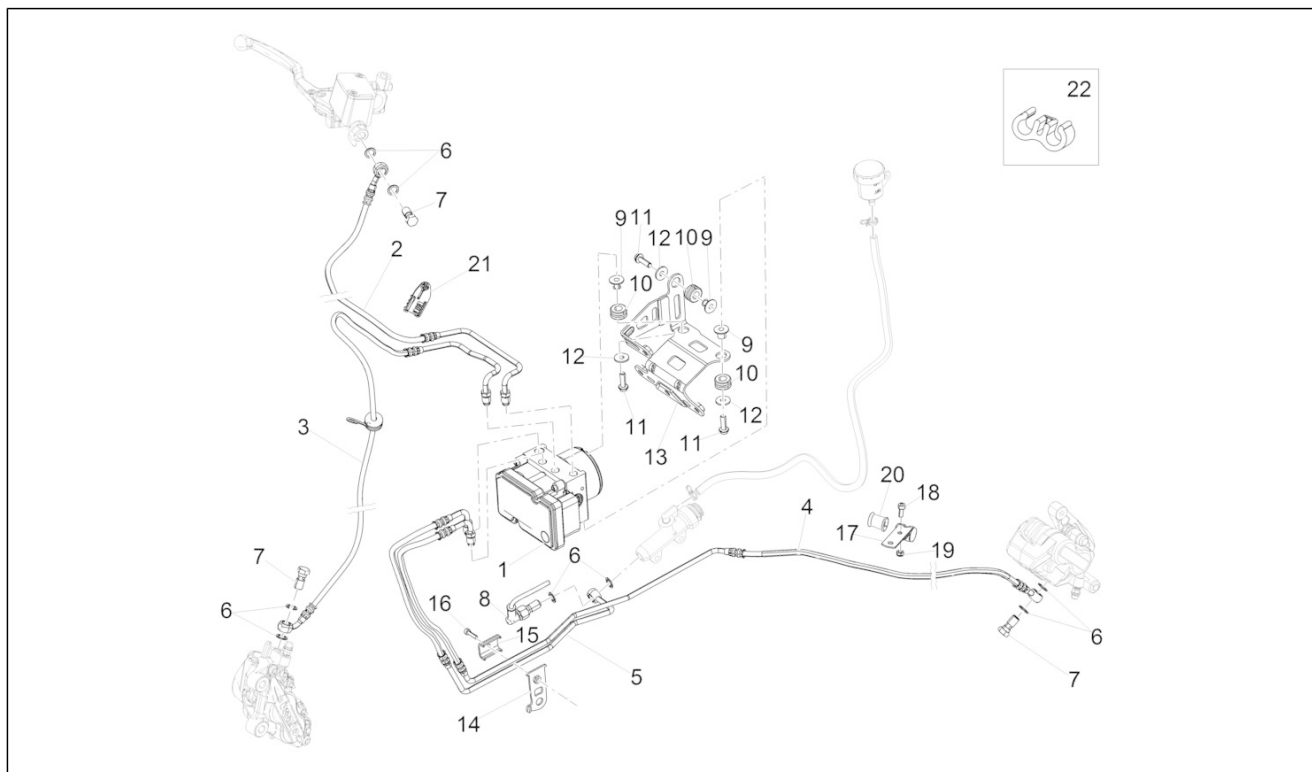
<b>Groupe</b>	CHASSIS
<b>Code</b>	33.35
<b>Description</b>	Roue arrière II
<b>Révision</b>	1



Pos.	Code	Description	Quant	Variants
1	887573	Jante roue 3.5x17"	1	
2	GU90402538	Bague d'étanchéité 25x40x7	1	
3	GU92204218	Roulement	1	
4	GU27633910	Entretoise	1	
5	GU92204217	Roulement	1	
6	GU03617710	Soupape tubeless	1	
7	GU32636160	Coatoucou pour support	1	
8	GU98612216	Vis	1	
9	GU32632510	Joint en caoutchouc	6	
10	GU14616150	Contrepoids	1	
11	GU92606316	Ecrou M16x1,5	1	
12	887448	Disque frein	1	
13	894505	Vis bride M8x18	6	
14	GU32633360	Axe de roue AR	1	
15	GU31634481	Rondelle	1	
16	2B000225	Wheel speed sensor, LH front	1	
17	2B000377	Support Détecteur ABS	1	
18	859792	Détecteur ABS	1	
19	GU98682312	Vis M6x12	2	

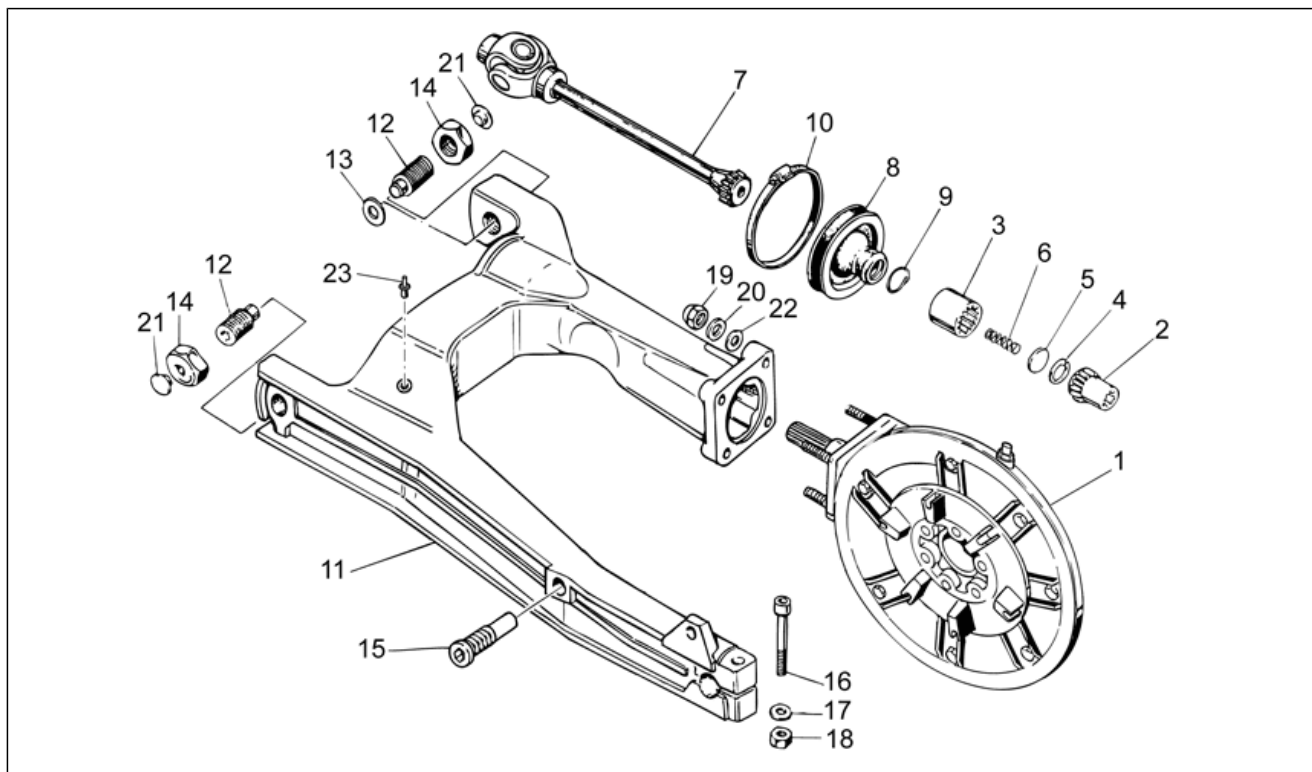


<b>Groupe</b>	CHASSIS
<b>Code</b>	33.36
<b>Description</b>	Système frein ABS
<b>Révision</b>	1



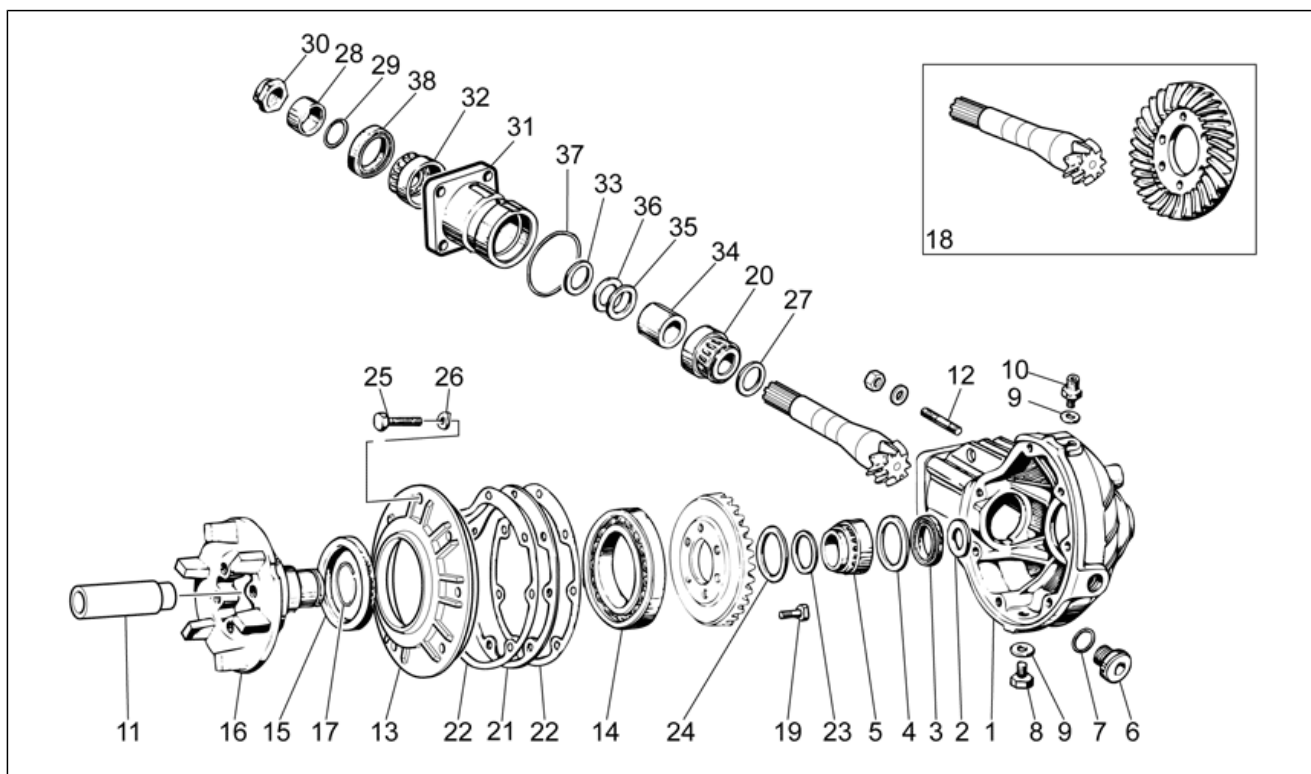
Pos.	Code	Description	Quant	Variants
1	2D000102	Centrale ABS	1	
2	2B001557	Tuyau maître-cylindre AV-centrale ABS	1	
3	2B001558	Tuyau étriers AV-centrale ABS	1	
4	2B001556	Tuyau étrier AR-centrale ABS	1	
5	2B001555	Tuyau maître-cylindre AR-centrale ABS	1	
6	AP8113004	Rondelle 10x14x1,6*	8	
7	AP8113003	Vis tuyau huile *	4	
8	854973	Contacteur de stop	1	
9	AP8221023	Douille en "T"	3	
10	AP8120030	Caoutchouc	3	
11	AP8152279	Vis bride M6x20	3	
12	AP8150015	Rondelle 6,6x18x1,6*	3	
13	2B001016	Support de centrale ABS	1	
14	2B001564	Plaque support tuyau frein	1	
15	2B001614	Plaque fix. tubes	1	
16	959559	Vis M4x16	1	
17	GU03658330	Collier	1	
18	895709	Vis M5x12	1	
19	AP8150451	Ecrou autofr. bas	1	
20	GU03658201	Bague	1	
21	2B001570	Plaque support tuyau frein	1	
22	2B000276	Collier	2	

<b>Groupe</b>	MOTEUR
<b>Code</b>	34.09
<b>Description</b>	Transmission cpl. I
<b>Révision</b>	1



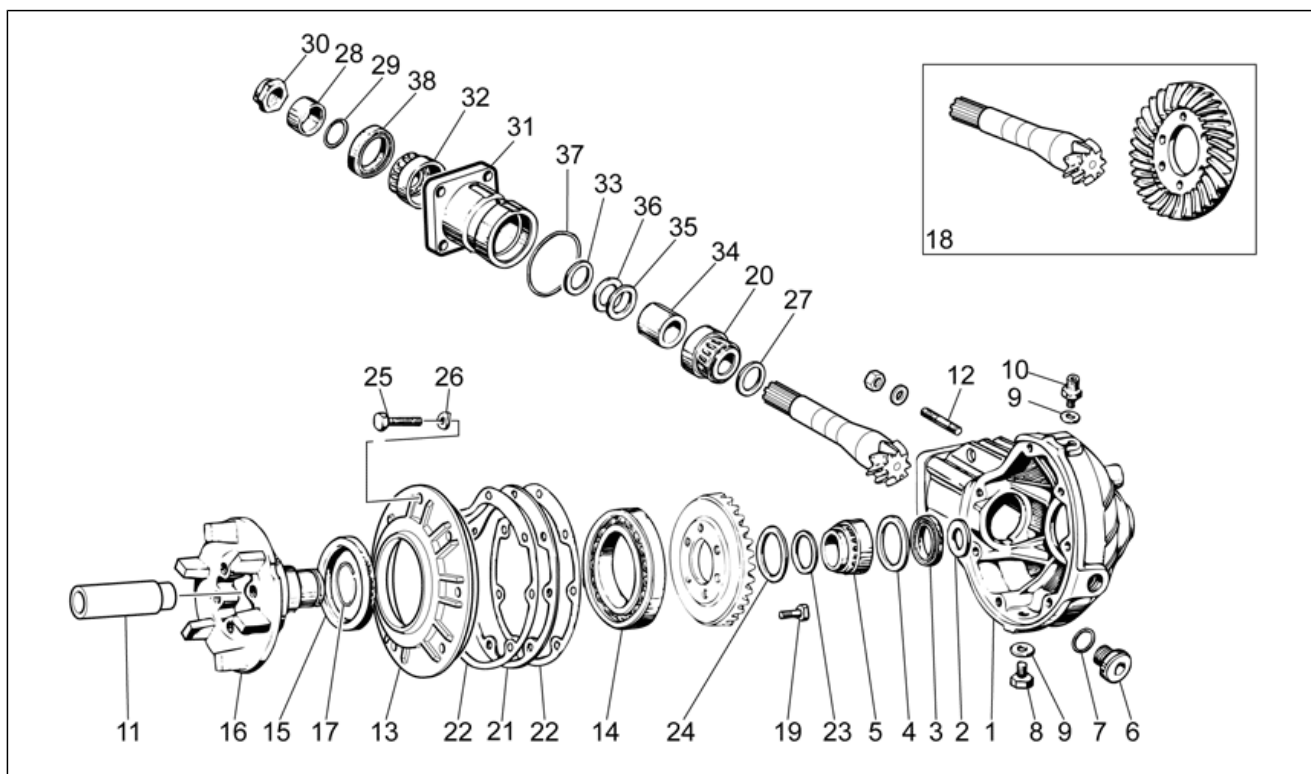
Pos.	Code	Description	Quant	Variants
1	976941	Boîte transm.cpl.noir	1	
2	GU31327783	Manchon	1	
3	GU19328801	Manchon	1	
4	GU90272023	Bague seeger	1	
5	GU19327601	Disque	1	
6	GU94321099	Ressort	1	
7	GU23328081	Joint	1	
8	GU23548080	Collier de protection	1	
9	GU23548180	Ressort	1	
10	AP8120246	Collier D=60-80	1	
11	2B001959	Fourche ar., noir	1	
12	GU19547000	Pivot	2	
13	GU35214300	Cale	1	
14	GU31547882	Ecrou	2	
15	GU31544181	Pivot	1	
16	GU98680545	Vis M10x45	1	
17	GU95008210	Rondelle 10,2X18X2	1	
18	GU92606210	Ecrou M10x1,5	1	
19	860651	Ecrou borgne M8x1,25	4	
20	GU14615901	Rondelle 8,4X13X0,8	4	
21	GU93180105	Bouchon	2	
22	GU95005308	Rondelle 8,4x14,57x1,6	4	
23	GU03922280	Bouchon 5x9	1	

<b>Groupe</b>	MOTEUR
<b>Code</b>	34.10
<b>Description</b>	Transmission cpl. II
<b>Révision</b>	1



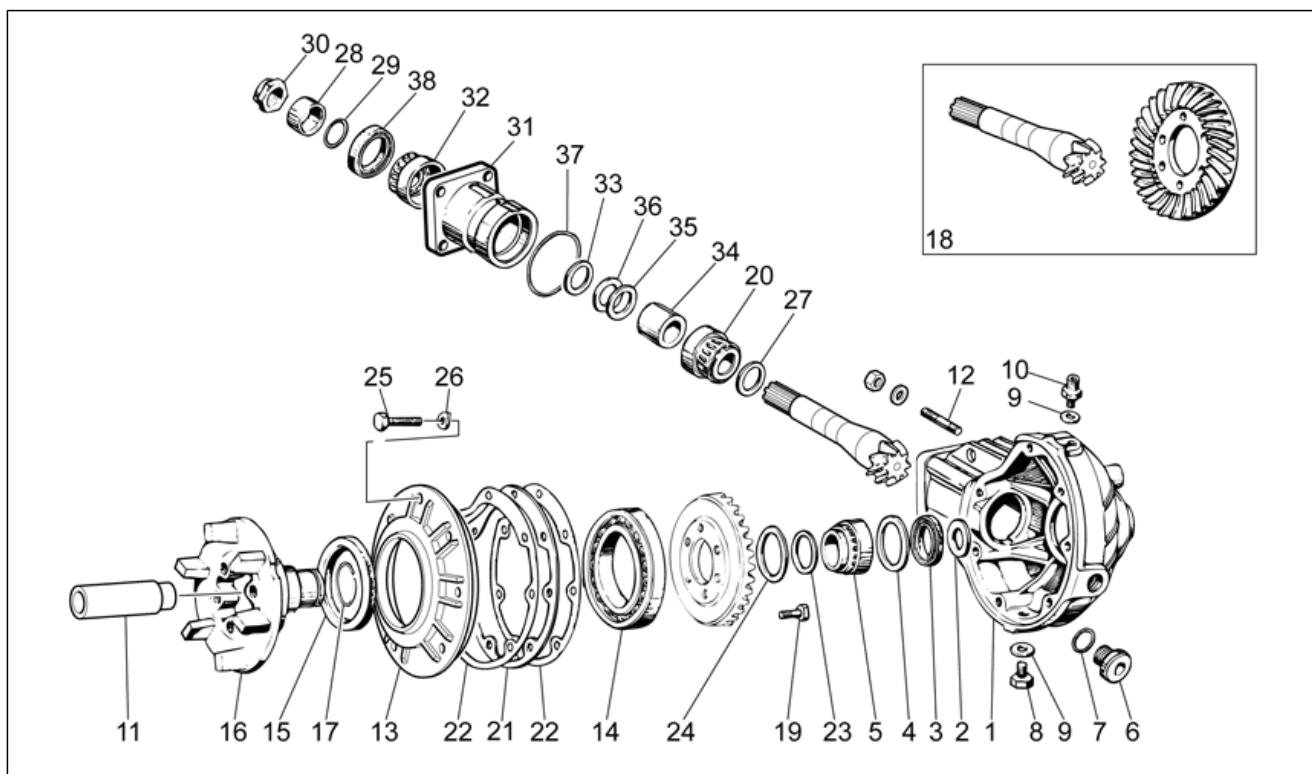
Pos.	Code	Description	Quant	Variants
1	976608	Carter de transmissionnoir	1	
2	GU19351900	Rondelle d'appui	1	
3	GU90403549	Bague d'étanchéité 35x47x7	1	
4	GU19351100	Rondelle d'appui	1	
5	GU92252235	Roulement à rouleaux 35x50x17	1	
6	GU12022600	Bouchon huile	1	
7	GU90706203	Joint torique 20,24X2,62	1	
8	GU31003766	Bouchon vid.huile M10x1	1	
9	GU01528930	Joint 10x18x1,5	2	
10	GU19206501	Bouchon purge	1	
11	GU32633560	Entretoise	1	
12	GU96508055	Vis sans tête	4	
13	GU32350410	Couvercle	1	
14	GU92201070	Roulement à billes 70x110x13	1	
15	GU90407591	Bague d'étanchéité 75x95x10	1	
16	GU32351410	Pivot	1	
17	GU90353030	Bague de butée	1	
18	GU32354610	Couple conique 8/33	1	
19	GU03067730	Vis M8x25	6	
20	GU92249227	Roulement roul.con. 25x5	1	
21	GU19355400	Cale 0,8 mm	1	
21	GU19355402	Cale 0,9 mm	1	
21	GU19355404	Cale 1 mm	1	
21	GU19355406	Cale 1,1 mm	1	
21	GU19355408	Cale 1,2 mm	1	
21	GU19355410	Cale 1,3 mm	1	
21	GU19355411	Cale 1,4 mm	1	
21	GU19355412	Cale 1,5 mm	1	

<b>Groupe</b>	MOTEUR
<b>Code</b>	34.10
<b>Description</b>	Transmission cpl. II
<b>Révision</b>	1



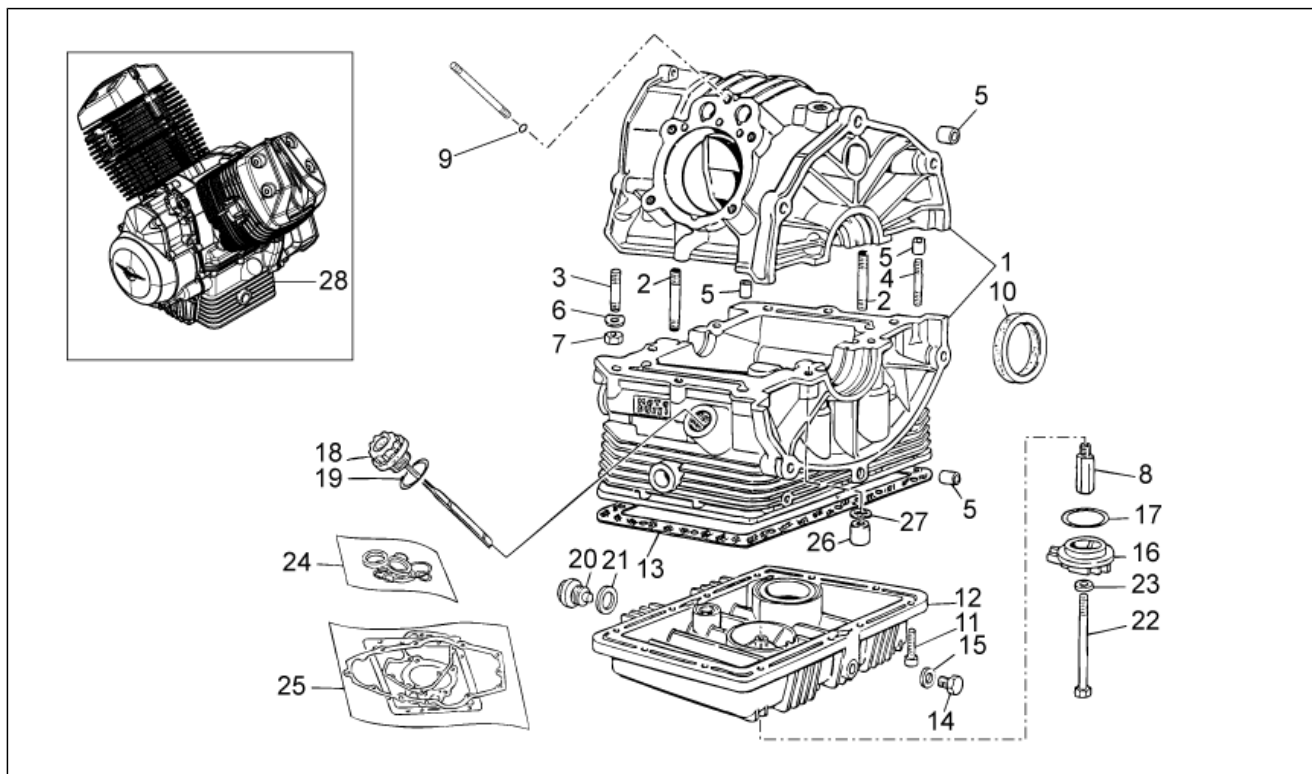
Pos.	Code	Description	Quant	Variants
21	GU19355413	Cale 1,6 mm	1	
22	GU19350700	Joint	2	
23	GU19352300	Rondelle éventail	1	
24	GU19353500	Rondelle éventail	1	
25	GU19357660	Vis	7	
26	GU61270300	Rondelle élastique 8x15x0,3	7	
27	GU19355320	Cale 1 mm	1	
27	GU19355321	Cale 1,1 mm	1	
27	GU19355322	Cale 1,2 mm	1	
27	GU19355323	Cale 1,3 mm	1	
27	GU19355324	Cale 1,4 mm	1	
27	GU19355325	Cale 1,5 mm	1	
27	GU19355326	Cale 1,6 mm	1	
27	GU19355327	Cale 1,7 mm	1	
27	GU19355328	Cale 1,8 mm	1	
27	GU19355329	Cale 1,9 mm	1	
28	GU19356801	Entretoise	1	
29	GU90706188	Bague d'étanchéité 18,77X1,78	1	
30	GU19356700	Ecrou	1	
31	GU20352421	Flasque	1	
32	GU92249220	Roulement à rouleaux 20x47x14	1	
33	GU19355300	Cale 1 mm	1	
33	GU19355301	Cale 1,1 mm	1	
33	GU19355302	Cale 1,2 mm	1	
33	GU19355303	Cale 1,3 mm	1	
33	GU19355304	Cale 1,4 mm	1	
33	GU19355305	Cale 1,5 mm	1	
33	GU19355306	Cale 1,6 mm	1	

<b>Groupe</b>	MOTEUR
<b>Code</b>	34.10
<b>Description</b>	Transmission cpl. II
<b>Révision</b>	1



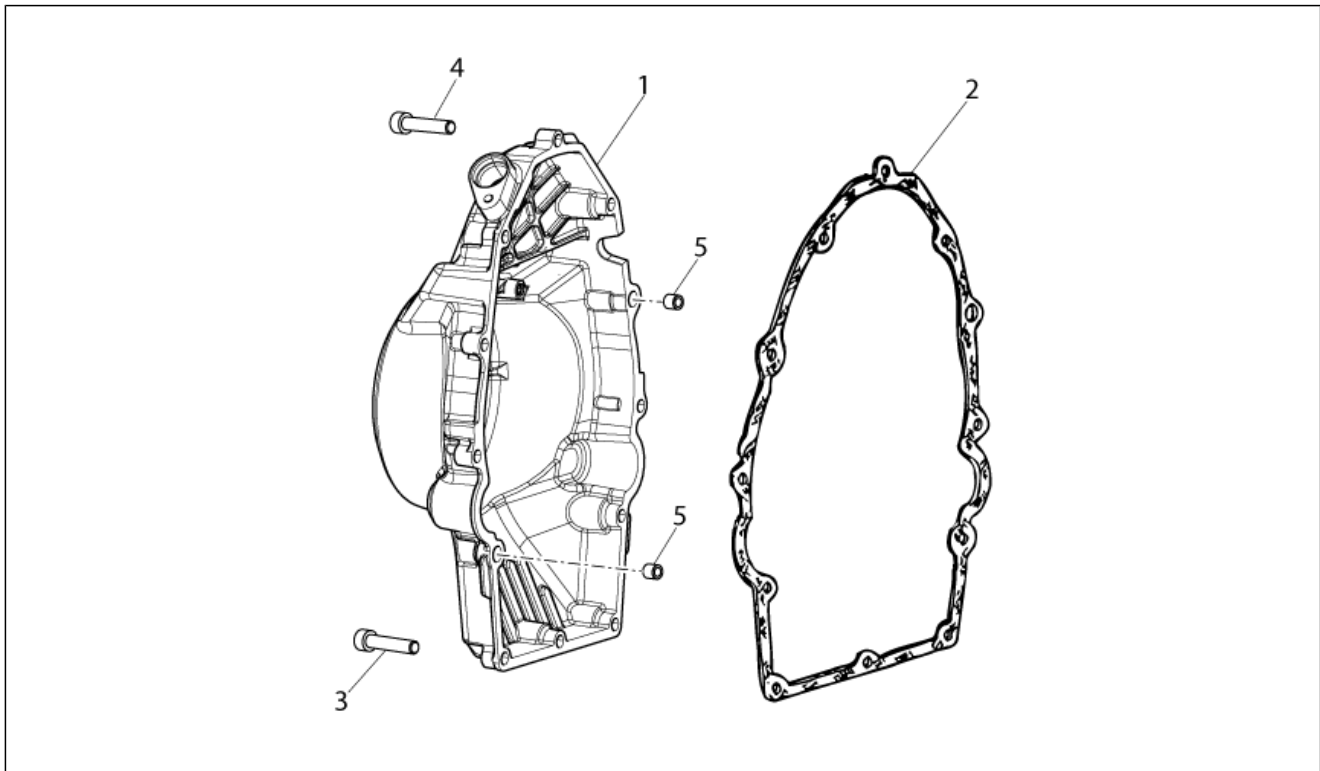
Pos.	Code	Description	Quant	Variants
33	GU19355307	Cale 1,7 mm	1	
33	GU19355308	Cale 1,8 mm	1	
33	GU19355309	Cale 1,9 mm	1	
34	GU20355121	Entretoise	1	
35	GU19355200	Rondelle ajustem. 0,1 mm	1	
36	GU19355202	Rondelle ajustem. 0,15 mm	1	
37	GU90706584	Joint 58,42x2,62	1	
38	GU90403251	Bague d'étanchéité 32x47x10	1	

<b>Groupe</b>	MOTEUR
<b>Code</b>	34.34
<b>Description</b>	Carter
<b>Révision</b>	1



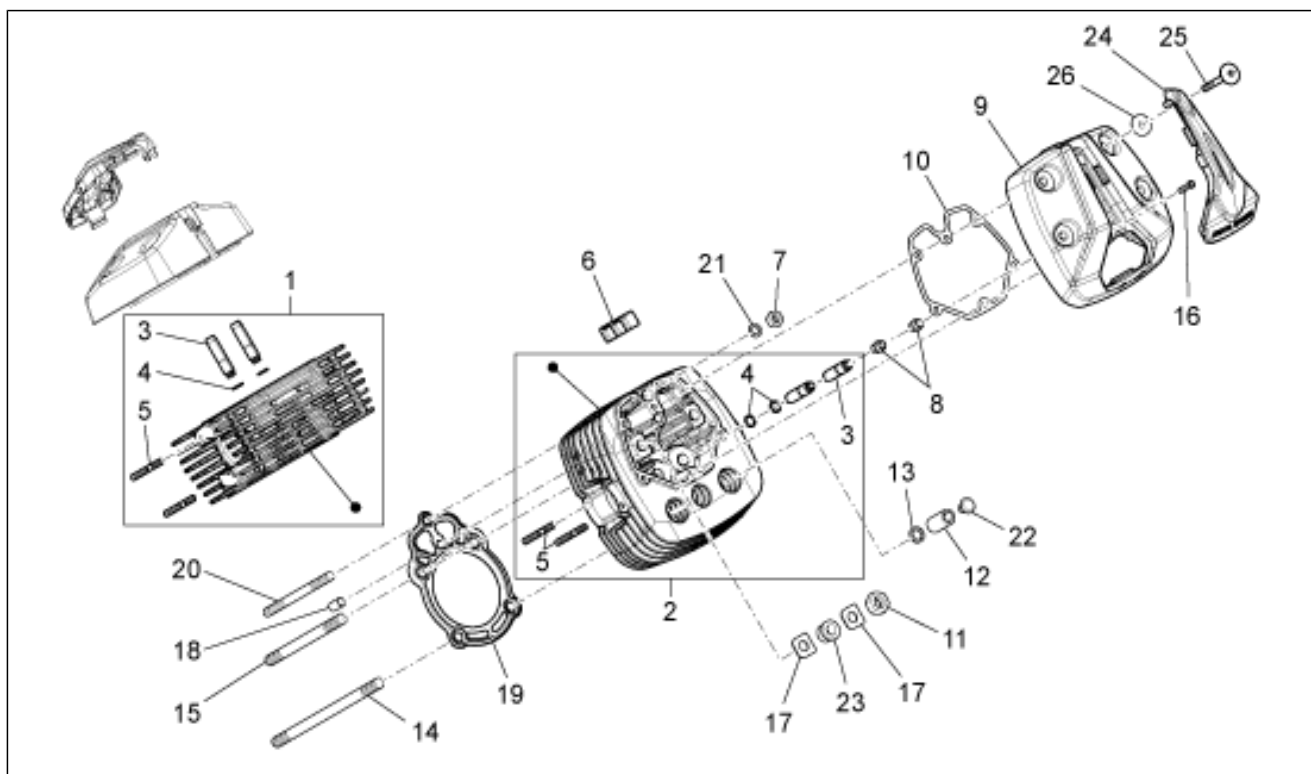
Pos.	Code	Description	Quant	Variants
1	2A0002355	Carter	1	
2	GU96451560	Vis sans tête	4	
3	GU96451430	Vis sans tête	4	
4	GU96508055	Vis sans tête	2	
5	GU19015020	Douille	4	
6	GU61270300	Rondelle élastique 8x15x0,3	6	
7	GU92606208	Ecrou M8x1,25	6	
8	GU19003800	Raccord	1	
9	GU90706076	Joint torique	2	
10	886365	Bague d'étanchéité	1	
11	GU98682325	Vis M6x25	12	
12	976604	Carter huile noir	1	
13	887004	Joint carter huile	1	
14	GU31003766	Bouchon vid.huile M10x1	1	
15	GU10528900	Garniture	1	
16	976685	Petit couvercle	1	
17	GU90706444	Joint torique	1	
18	883826	Bouchon rempl. huile	1	
19	GU90706281	Joint torique 28,24x2,62	1	
20	GU12003702	Bouchon vid.huile	1	
21	GU95100709	Joint 20,1x28x2	1	
22	GU27152885	Boulon	1	
23	GU12154200	Joint 8,25x15x1	1	
24	GU32999510	Joint spy-série	1	
25	GU32999010	Joints-jeu	1	
26	GU13021900	Ecrou colonne	4	
27	GU95129180	Rondelle 10,5X18X0,8	4	
28	2L0002405	Moteur comp.sansbo.vitesses	1	

<b>Groupe</b>	MOTEUR
<b>Code</b>	34.35
<b>Description</b>	Couvercle distribution
<b>Révision</b>	1



Pos.	Code	Description	Quant	Variants
1	2A000085	Couvercle	1	
2	887003	Joint couvercle	1	
3	GU98682325	Vis M6x25	10	
4	GU98682330	Vis M6x20	2	
5	GU19002020	Douille 6,6x9x13	2	

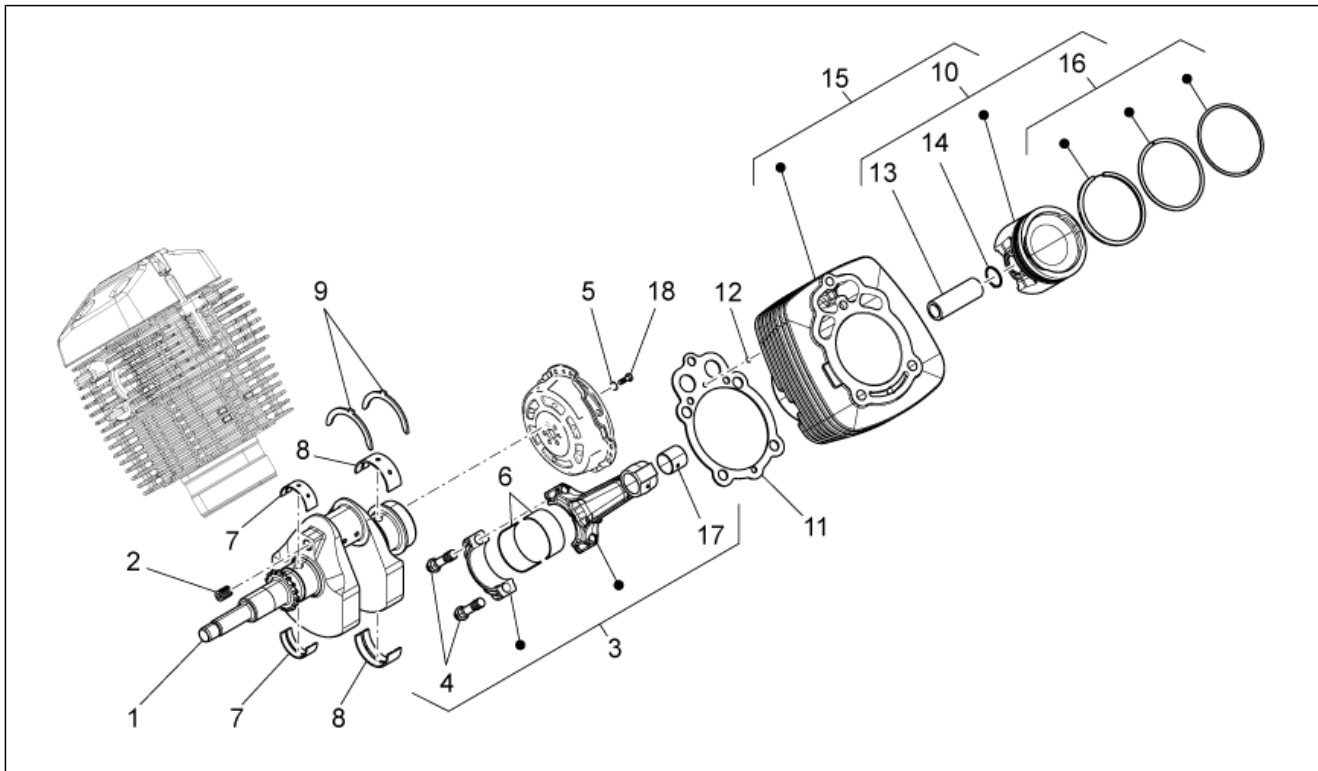
<b>Groupe</b>	MOTEUR
<b>Code</b>	34.36
<b>Description</b>	Tête cylindre
<b>Révision</b>	1



Pos.	Code	Description	Quant	Variants
1	8872724	Culasse d.	1	
2	8872754	Culasse g.	1	
3	GU61036801	Guide soupape	4	
4	GU90353009	Anneau élastique	4	
5	GU96506042	Vis sans tête	4	
6	B063111	Tasseau antivibration	4	
7	GU19021920	Ecrou	2	
8	GU19037820	Joint spi	4	
9	887523	Couvre-culasse	2	
10	887002	Joint couvercle-culasse	2	
11	GU92603010	Ecrou M10X1,5	4	
12	GU13021900	Ecrou colonne	4	
13	GU95129180	Rondelle 10,5X18X0,8	4	
14	GU96510214	Vis sans tête M10x214	4	
15	GU96510181	Vis sans tête M10x182	4	
16	GU98692325	Vis M6x25	4	
17	GU19032980	Cale	8	
18	GU19021360	Douille	2	
19	B063099	Joint tête-cylindre	2	
20	976898	Vis sans tête M8x140	2	
21	GU61270300	Rondelle élastique 8x15x0,3	2	
22	GU93180245	Bouchon	4	
23	AP8144071	Caoutchouc pot	1	
24	887279	Couvercle bougie	2	
25	887483	Vis de couvre-culasse M6x2.5	8	
26	969973	Rondelle	8	

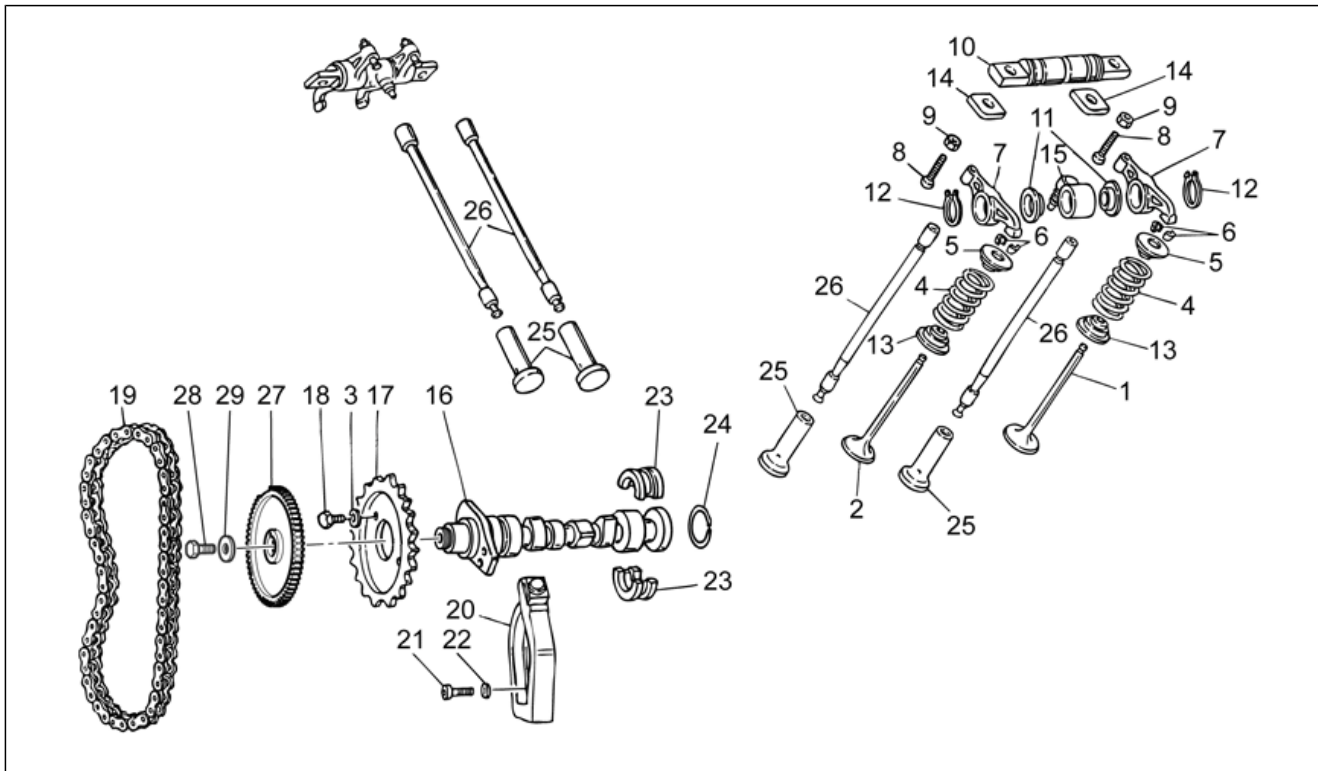


<b>Groupe</b>	MOTEUR
<b>Code</b>	34.37
<b>Description</b>	Arbre moteur cpl.
<b>Révision</b>	1



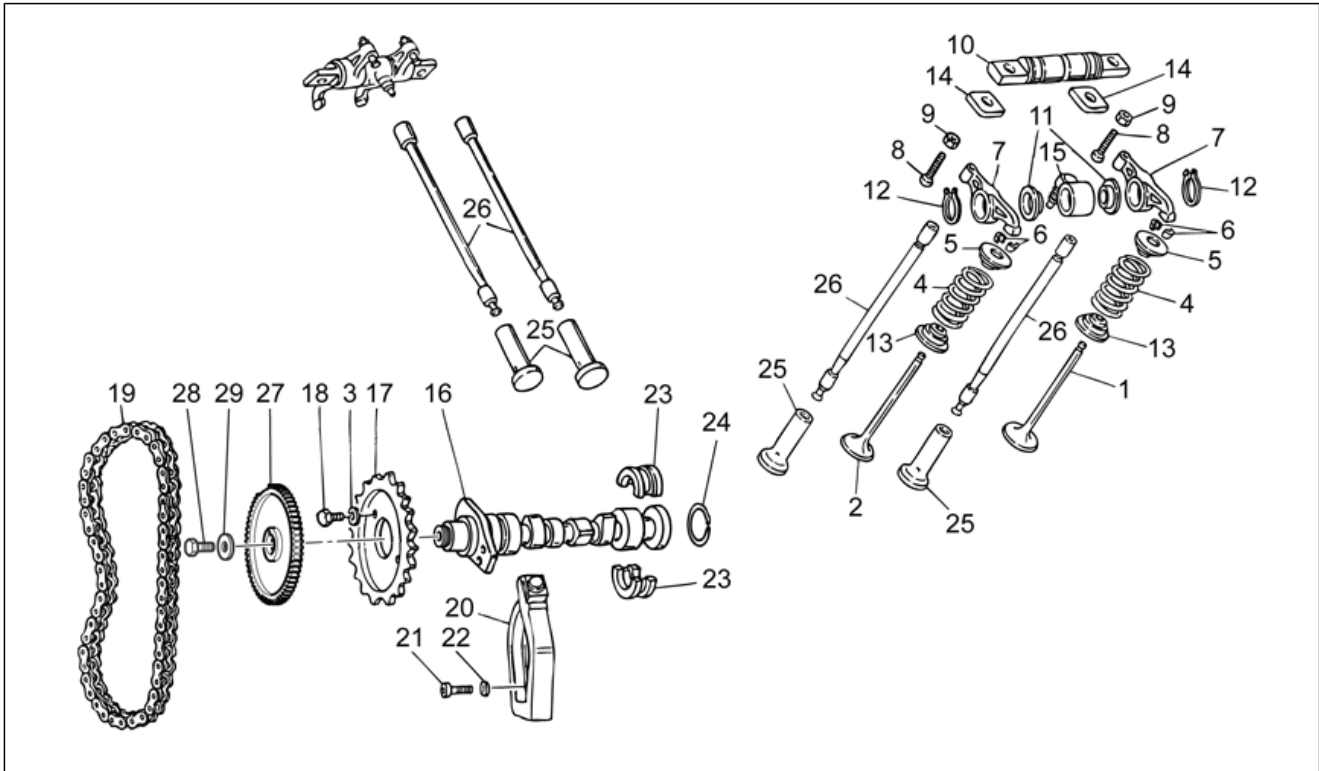
Pos.	Code	Description	Quant	Variants
1	2A0000995	Arbre moteur	1	
2	GU19065400	Bouchon	1	
3	GU27061585	Bielle cpl.	2	
4	GU19062261	Vis	4	
5	GU14615901	Rondelle 8,4X13X0,8	6	
6	GU27062060	Demi-coussinet	4	
7	GU27065660	Demi-couss.de vilebr.av.	2	
8	GU27066560	Demi-couss.de vilebr.ar.	2	
9	GU27066460	Demi-etau	2	
10	8872690001	Piston compl. d.80 Cat. D	1	
10	8872690002	Piston compl. d.80 Cat. E	1	
10	8872690003	Piston compl. d.80 Cat. F	1	
11	886670	Garniture cylindre	2	
12	GU61027200	Joint torique	2	
13	B063016	Axe	2	
14	874567	Bague de butée	4	
15	B063465	Cylindre av.piston cpl.	2	
16	B063466	Ensemble de segments	2	
17	GU27061885	Douille	2	
18	GU19067700	Vis	6	

<b>Groupe</b>	MOTEUR
<b>Code</b>	34.38
<b>Description</b>	Distribution
<b>Révision</b>	1



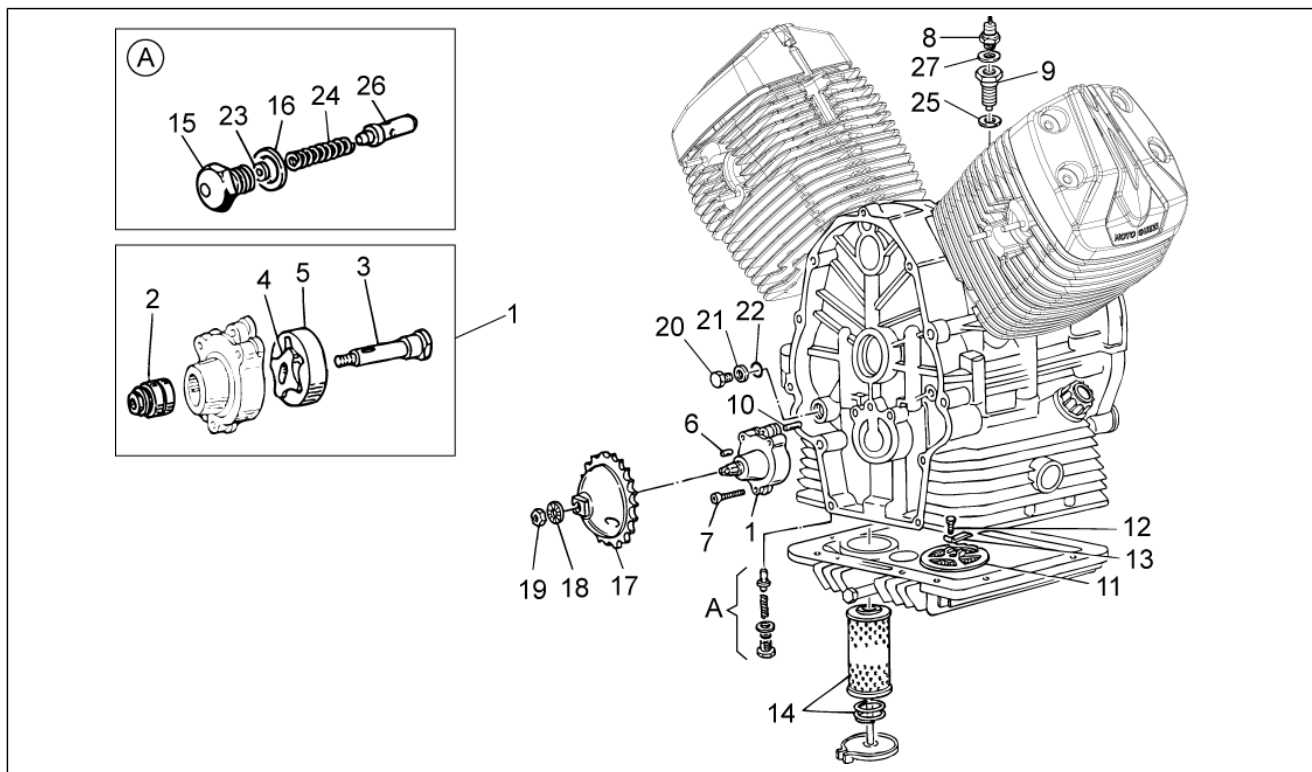
Pos.	Code	Description	Quant	Variants
1	2A000146	Soupape d'admission	2	
2	2A000147	Soupape decharge	2	
3	GU23217800	Rondelle de séreté	2	
4	GU27037521	Ressort	4	
5	GU31038015	Coupelle supérieur	4	
6	GU61038100	Demi-clavette	8	
7	GU19030500	Culbuteur	4	
8	GU19034000	Vis	4	
9	GU92602406	Ecrou M6x1	4	
10	GU19032080	Axe culbuteur	2	
11	GU32032310	Rondelle éventail	4	
12	GU90271018	Bague seeger	4	
13	GU31037015	Coupelle inférieure	4	
14	GU19032980	Cale	4	
15	2B000579	Manchon	2	
16	GU32053410	Arbre à cames	1	
17	GU32054510	Engrenage distribution	1	
18	GU61054900	Boulon	2	
19	GU19058021	Chaîne de distribution	1	
20	GU19058220	Tendeur de chaine	1	
21	GU98882316	Vis	1	
22	GU95129115	Rondelle	1	
23	GU19055700	Secteur	2	
24	GU90353029	Anneau élastique	1	
25	GU19045861	Poussoir	4	
26	GU31045015	Culbuteur tige	4	
27	887528	Wheel speed sensor, LH front	1	
28	GU98054422	Vis M8x22	1	

<b>Groupe</b>	MOTEUR
<b>Code</b>	34.38
<b>Description</b>	Distribution
<b>Révision</b>	1



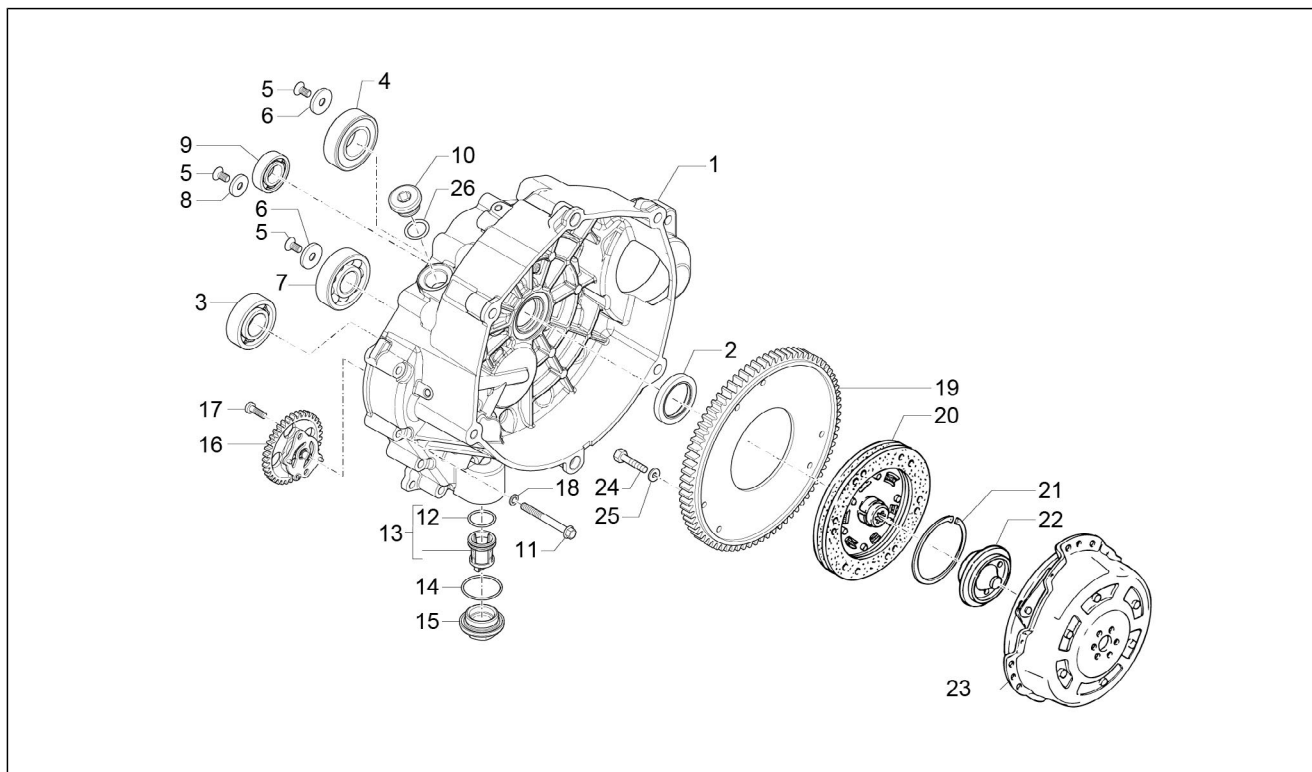
Pos.	Code	Description	Quant	Variants
29	GU95100244	Rondelle	1	

<b>Groupe</b>	MOTEUR
<b>Code</b>	34.39
<b>Description</b>	Pompe huile
<b>Révision</b>	1



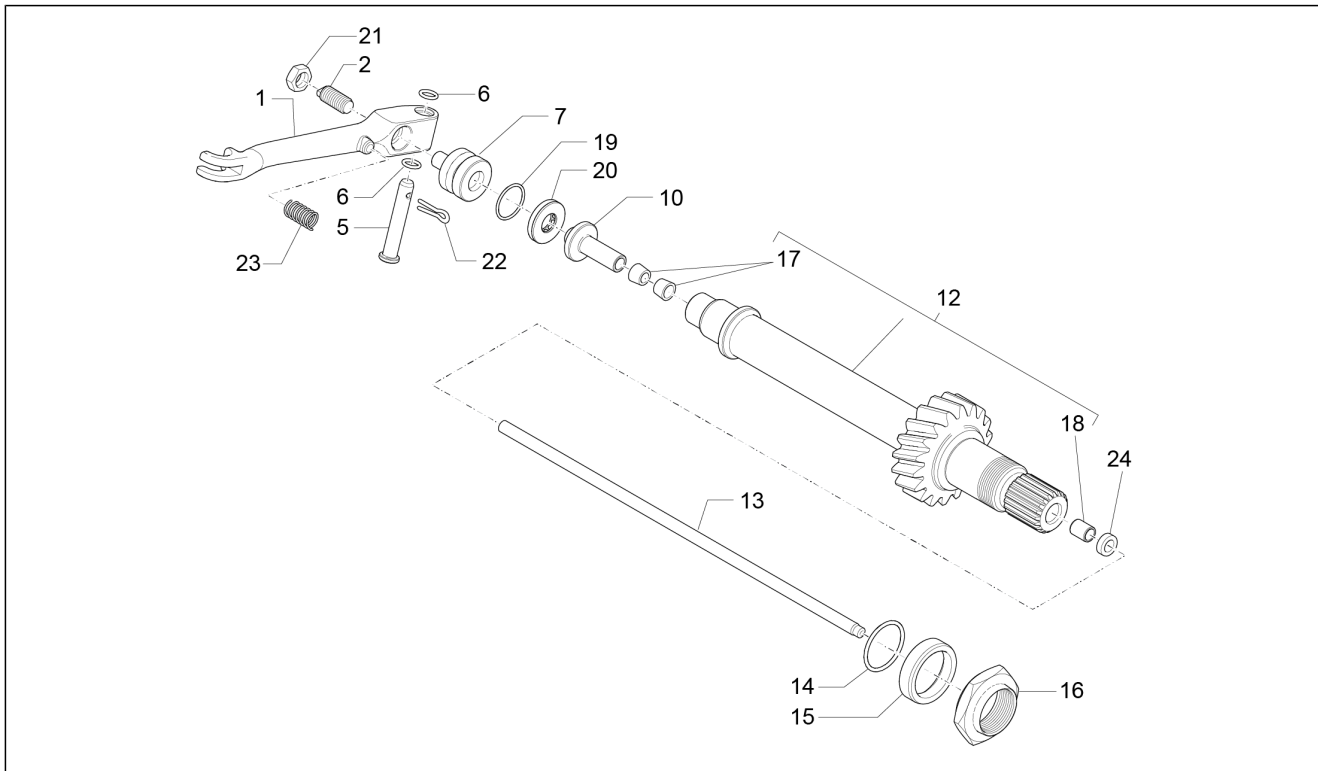
Pos.	Code	Description	Quant	Variants
1	GU19146422	Pompe huile	1	
2	GU92252210	Roulement à rouleaux 10x22x20	1	
3	GU20147810	Arbre pompe huile	1	
4	GU20148410	Rotor intérieur	1	
5	GU20148610	Rotor extérieur	1	
6	GU92296723	Rouleau	1	
7	884039	Vis M6x35	3	
8	641541	Capteur de pression d'huile	1	
9	887093	Raccord	1	
10	GU19018920	Goupille	2	
11	GU19152200	Filtre à huile	1	
12	GU98084314	Vis M6x14	1	
13	GU95187006	Plaquette	1	
14	GU27153085	Filtre à huile	1	
15	GU31159050	Bouchon	1	
16	GU18144350	Rondelle 18,25x24x1	3	
17	GU20147710	Pignon de pompe	1	
18	AP8152220	Rondelle	1	
19	GU92602510	Ecrou M10x1,25	1	
20	GU31016050	Bouchon	1	
21	GU18161150	Garniture 14,25	1	
22	GU90706111	Joint torique	1	
23	GU95008206	Rondelle 6,15x11x0,8	3	
24	GU94321079	Ressort	1	
25	GU95100602	Joint	1	
26	GU31159050	Piston	1	
27	GU95100309	Rondelle	1	

<b>Groupe</b>	MOTEUR
<b>Code</b>	34.40
<b>Description</b>	Embrague I
<b>Révision</b>	1



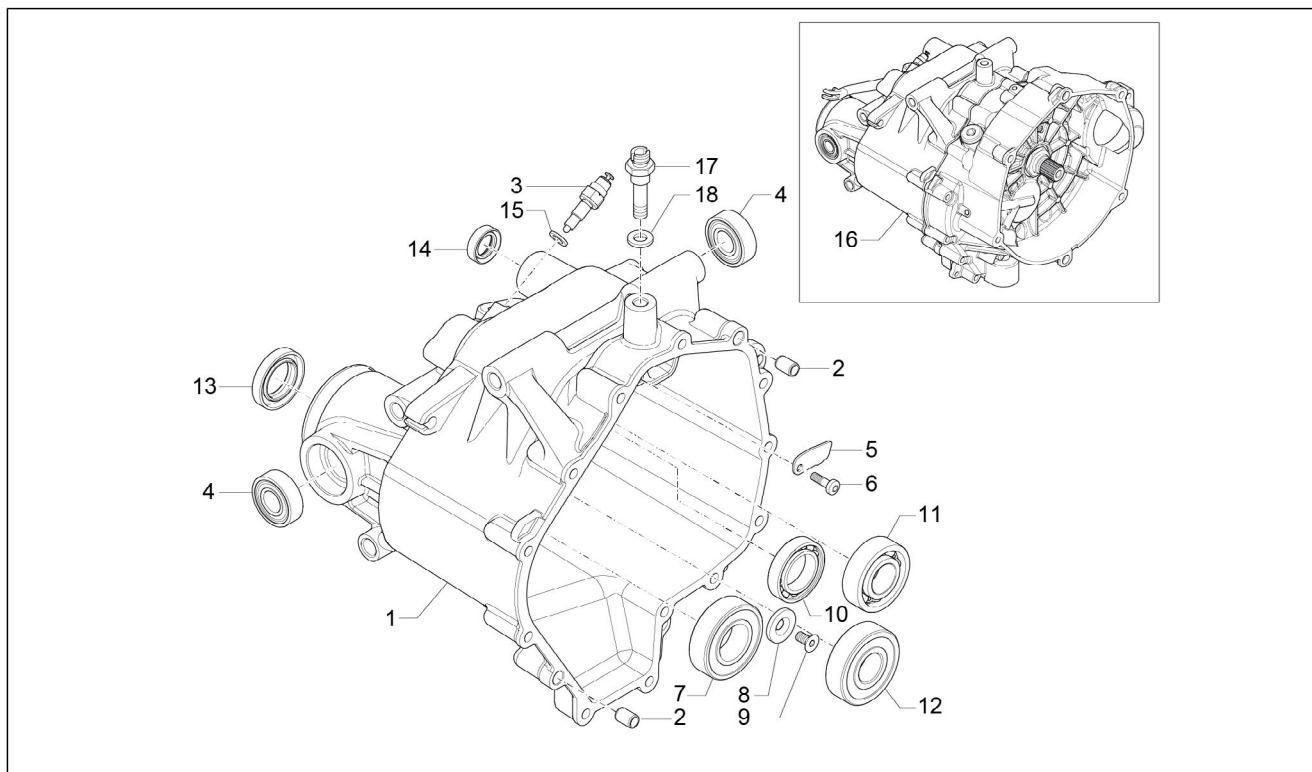
Pos.	Code	Description	Quant	Variants
1	2A0003794	Cloche embrayage	1	
2	886629	Bague d'étanchéité	1	
3	848650	Roulement à billes 20x47x14	1	
4	GU92201226	Roulement à billes 25x52x15	1	
5	B013608	Vis	4	
6	873928	Rondelle	3	
7	GU92201822	Roulement à billes 20x52x15	1	
8	873905	Rondelle	1	
9	834764	Roulement	1	
10	GU12022600	Bouchon huile	1	
11	AP8150045	Vis M6x55	14	
12	B017406	Joint torique 20,35x1,78	1	
13	B018020	Filtre à huile cpl.	1	
14	285536	Joint torique 31,47x1,78	1	
15	B015598	Bouchon filtre à huile	1	
16	B018448	Pompe à huile complète	1	
17	2A000241	Vis M5x16	2	
18	GU95008306	Rondelle 6,4x12x1,2	14	
19	GU32067910	Couronne	1	
20	GU32084410	Disque embrayage mené	1	
21	GU90272075	Anneau élastique	1	
22	GU19083462	Cuvette	1	
23	GU32080310	Embrayage	1	
24	884038	Vis M6x16	6	
25	GU14217901	Rondelle 6,4x10x0,7	6	
26	GU90706203	Joint torique 20,24X2,62	1	

<b>Groupe</b>	MOTEUR
<b>Code</b>	34.41
<b>Description</b>	Embrague II
<b>Révision</b>	1



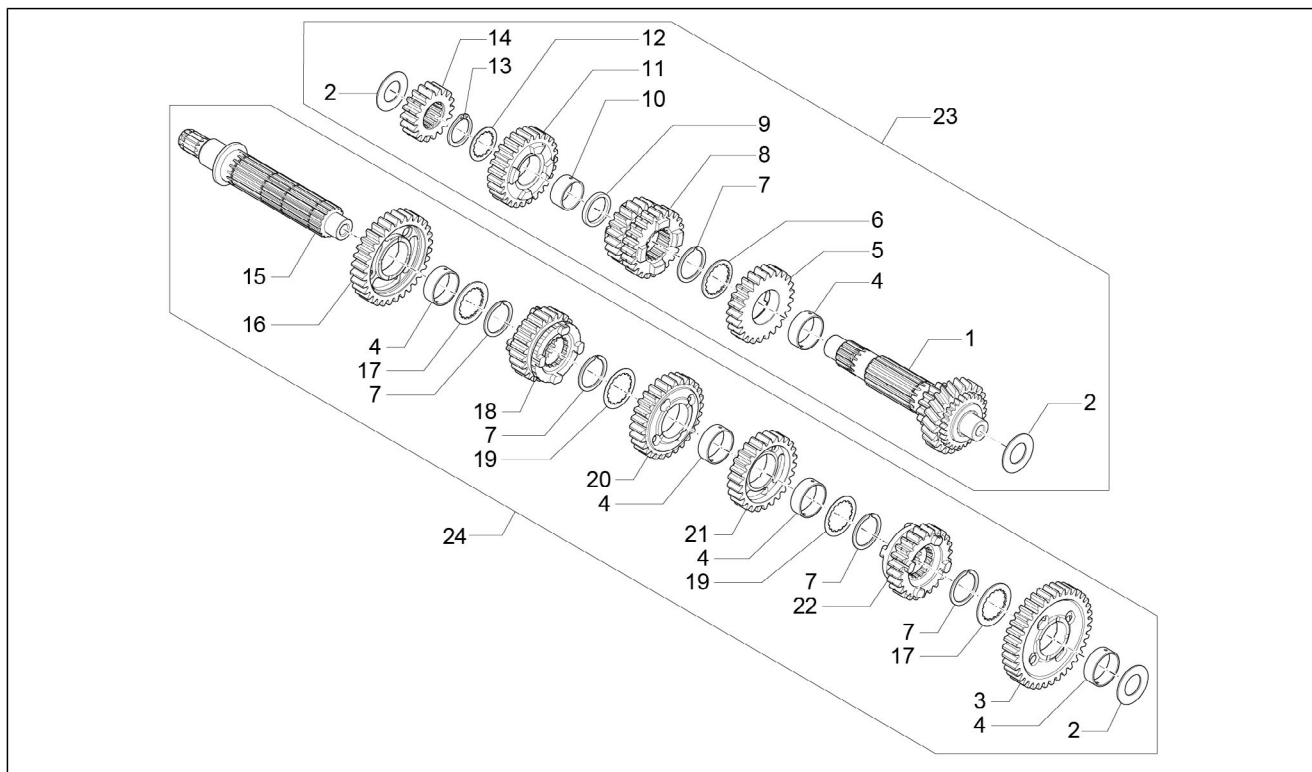
Pos.	Code	Description	Quant	Variants
1	2A000383	Débrayage	1	
2	GU14090400	Vis embrayage	1	
5	2A000384	Goujon de levier	1	
6	2A000385	Joint torique 6.5x1.5	2	
7	GU14086100	Corps extérieur	1	
10	B013037	Pignon embrayage	1	
12	2A000204	Arbre embrayage Z=18	1	
13	2A000216	Tige de commande	1	
14	GU90706235	Joint torique 23,52x1,78	1	
15	GU19213760	Entretoise	1	
16	GU19356760	Ecrou	1	
17	GU14085900	Douille	2	
18	GU05217630	Douille	1	
19	GU90706170	Joint torique 17,13x2,62	1	
20	2A000376	Palier poussée	1	
21	GU92606508	Ecrou	1	
22	GU95500222	Goupille	1	
23	GU94321105	Retour levier démarrage	1	
24	2A000378	Bague d'étanchéité	1	

<b>Groupe</b>	MOTEUR
<b>Code</b>	34.42
<b>Description</b>	Carter de boîte vitesses
<b>Révision</b>	1



Pos.	Code	Description	Quant.	Variants
1	2A000210	Carter de boîte vitesses	1	
2	GU19002020	Douille 6,6x9x13	2	
3	B063269	Capteur	1	
4	2A000097	Roulement à billes 6202-2RSH/C3 LHT23	2	
5	2A000306	Plaque butée	1	
6	2A000241	Vis M5x16	1	
7	GU92201226	Roulement à billes 25x52x15	1	
8	873928	Rondelle	1	
9	B013608	Vis	1	
10	857250	Roulement à billes 25x42x9	1	
11	2A000375	Roulement à billes	1	
12	GU92201822	Roulement à billes 20x52x15	1	
13	GU90412541	Bague d'étanchéité 25X40X7	1	
14	GU90401424	Bague d'étanchéité 14x24x7	1	
15	B063025	Joint 8,7x14,2x1,3	1	
16	2A000196	Boîte de vitesses cpl.	1	
17	2A000438	Bouchon purge	1	
18	GU01528930	Joint 10x18x1,5	1	

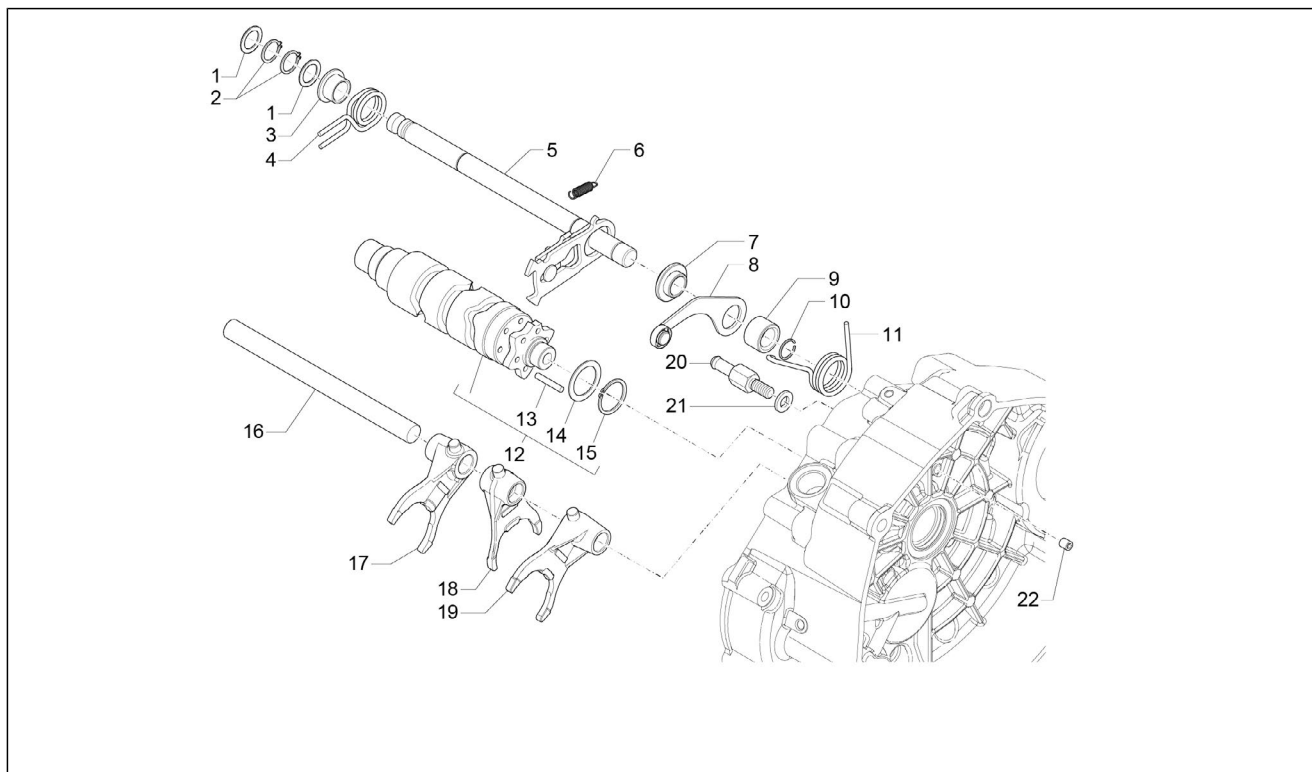
<b>Groupe</b>	MOTEUR
<b>Code</b>	34.43
<b>Description</b>	Boîte de vitesses
<b>Révision</b>	1



Pos.	Code	Description	Quant	Variants
1	2A000230	Arbre primaire	1	
2	1A000566	Rondella di spallamento	3	
3	B017470	Pignone de 1e vit.	1	
4	849308	Bague mobile	5	
5	1A000360	Engrenage 5eme vitesse	1	
6	849424	Rondelle d'appui	1	
7	1A002604	Anneau élast. arbres	5	
8	1A000436	Pignone coulissant 3a - 4a vel.	1	
9	B015040	Rondella di spallamento	1	
10	974162	Bague mobile	1	
11	1A000361	Engr. 6e sur prim.	1	
12	849396	Rondelle d'appui	1	
13	974165	Anneau élastique	1	
14	1A000365	Engr. 2e sur prim.	1	
15	2A000203	Albero cambio secondario	1	
16	1A000366	Engrenage 2eme vitesse Z=32	1	
17	849309	Rondelle d'appui	2	
18	1A000370	Engrenage 6e Z=24	1	
19	849310	Rondelle d'appui	2	
20	1A000367	Engrenage 3eme vitesse Z=28	1	
21	1A000368	Engrenage 4eme vitesse Z=26	1	
22	1A000369	Engrenage 5eme vitesse Z=24	1	
23	2A000199	Arbre prim. comp.	1	
24	2A000202	Arbre sec. comp.	1	

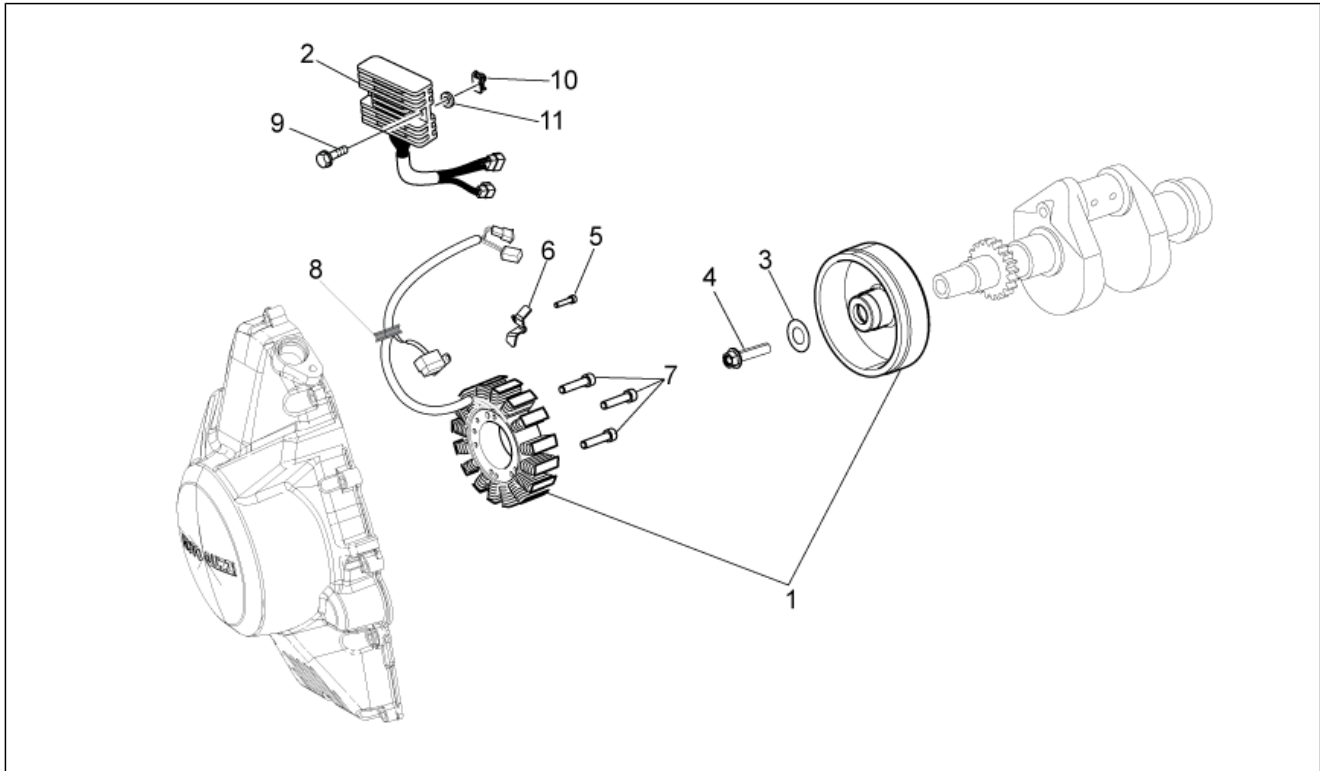


<b>Groupe</b>	MOTEUR
<b>Code</b>	34.44
<b>Description</b>	Selecteur boîte de vitesses
<b>Révision</b>	1



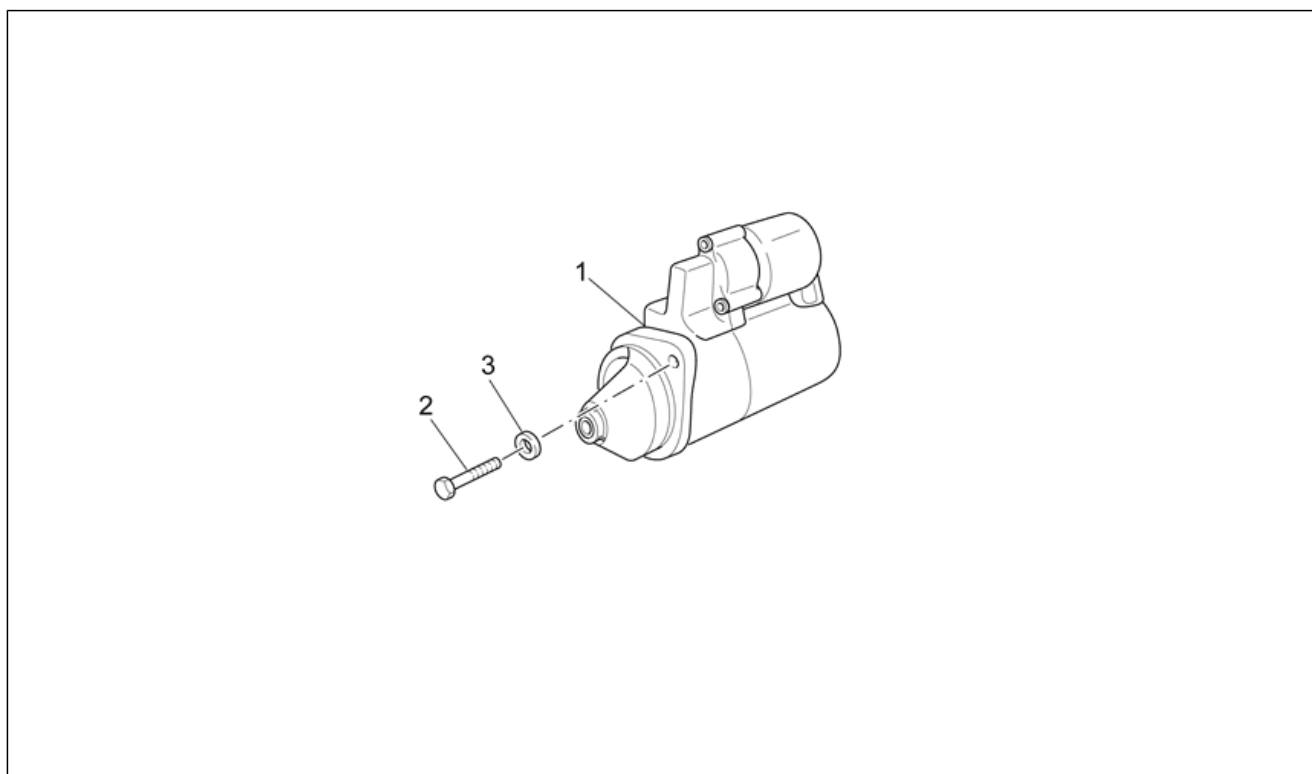
Pos.	Code	Description	Quant	Variants
1	GU05239330	Butée	2	
2	GU90271014	Bague seeger	2	
3	GU05238131	Entretoise	1	
4	B063956	Ressort	1	
5	2A000219	Preselecteur complet	1	
6	GU05238231	Ressort	1	
7	GU05238431	Douille	1	
8	B064112	Levier index cpl	1	
9	GU05234230	Entretoise	1	
10	GU90353014	Bague seeger	1	
11	B064113	Ressort index	1	
12	2A000222	Desmodromique cpl.	1	
13	GU05234631	Tige	6	
14	GU05235531	Cale	1	
15	GU90271022	Bague seeger	1	
16	2A000224	Tige	1	
17	2A000226	Fourchette 2-3 vitesses	2	
18	2A000227	Forchetta 5-6 v.tà	1	
19	2A000225	Forchetta per albero secondario	1	
20	2A000416	Vite di fermo	1	
21	B063025	Joint 8,7x14,2x1,3	1	
22	862560	Ecrou spéciale	1	

<b>Groupe</b>	MOTEUR
<b>Code</b>	34.45
<b>Description</b>	Alternateur - Régul.
<b>Révision</b>	1



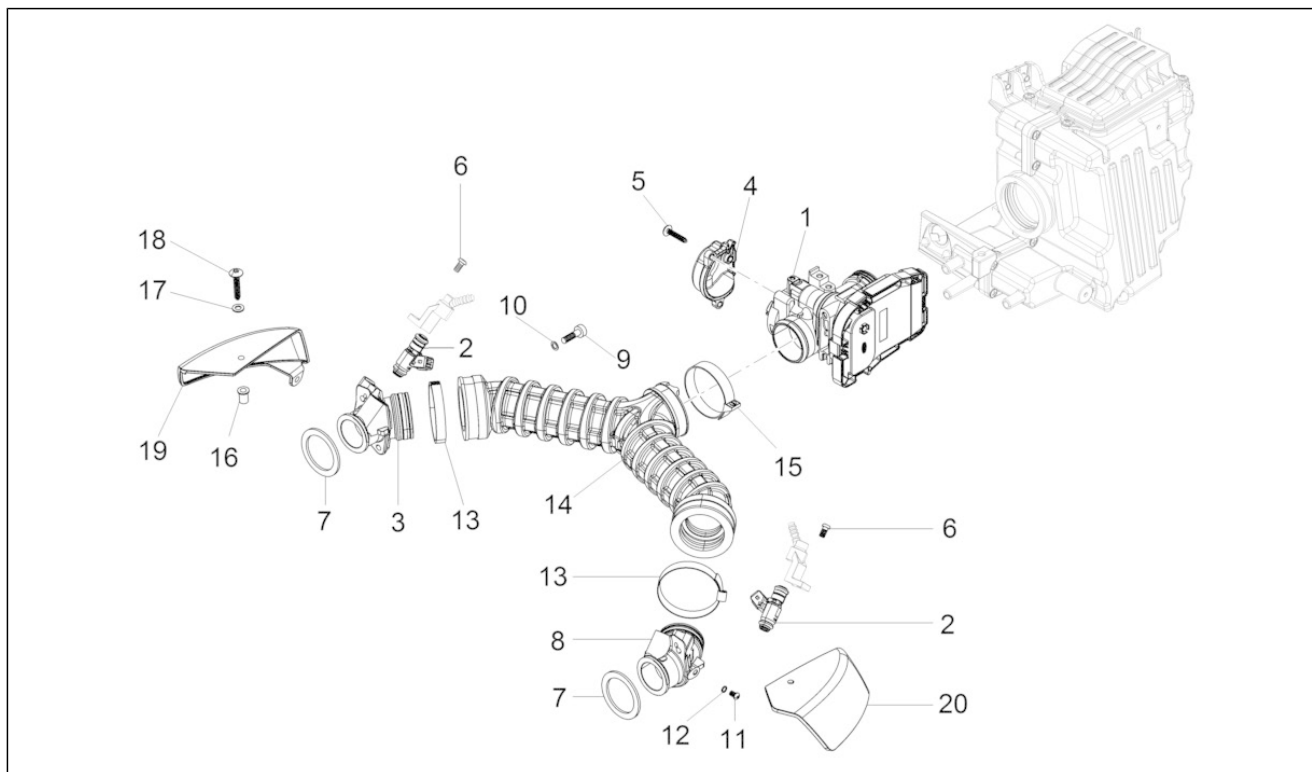
Pos.	Code	Description	Quant	Variants
1	2D000024	Volant magnétique compl.	1	
2	2D000043	Régulateur de tension	1	
3	897478	Rondelle 12x26.5x3	1	
4	857206	Vis bride M12X1,25X50	1	
5	GU98682212	Vis M5x12	1	
6	2A000115	Plaquette	1	
7	2A000129	Vis TCHC basse M6x35	3	
8	GU19007700	Caoutchouc	1	
9	AP8152281	Vis bride M6x30	2	
10	254485	Plaquette elastique M6	2	
11	GU95100125	Rondelle	2	

<b>Groupe</b>	MOTEUR
<b>Code</b>	34.46
<b>Description</b>	Démarrreur
<b>Révision</b>	1



Pos.	Code	Description	Quant	Variants
1	GU05730730	Démarrreur Bosch	1	
2	GU98682435	Vis	2	
3	GU95008208	Rondelle 8,4X15X1,5	2	

<b>Groupe</b>	MOTEUR
<b>Code</b>	34.47
<b>Description</b>	Corps à papillon
<b>Révision</b>	1



Pos.	Code	Description	Quant	Variants
1	CM228306	Centrale électronique d'injection	1	
2	B063049	Injecteur	2	
3	GU32115010	Pipe d.	1	
4	880260	Protection Corps à papillon	1	
5	B016796	Vis à tête bombée Torx	3	
6	AP8152298	Vis bride M5x16	2	
7	GU32115510	Joint	2	
8	GU32115011	Pipe g.	1	
9	GU98622322	Vis	4	
10	GU03013800	Rondelle 6,4x12	4	
11	884029	Vis M6x10	2	
12	GU95100116	Rondelle 6,25x10x1,5	2	
13	884311	Collier D.61	2	
14	2B001031	Manchon corps papil.	1	
15	884310	Collier D.55	1	
16	GU93231605	Douille anti vibr.	4	
17	GU30577800	Rondelle nylon 5,5X12X1	4	
18	GU98370515	Vis	4	
19	2B000971	Couvercle D	1	
20	2B000972	Couvercle G	1	



PIAGGIO & C.s.p.a.



## SPARE PARTS CATALOGUE



### V7 II Stone ABS 750 USA-CND 2016

Chassis prefix: ZGULWUB0

Engine prefix:

V7

GU123



## Index

Finished products.....	4
Alphanumeric index.....	5
FRAME.....	10
Table 33.01 - Frame I.....	10
Table 33.02 - Frame II.....	11
Table 33.03 - Lateral stand.....	12
Table 33.04 - Front footrests.....	13
Table 33.05 - Rear footrests.....	14
Table 33.06 - Gear lever.....	15
Table 33.07 - Front fork I.....	16
Table 33.08 - Fron fork II.....	17
Table 33.11 - Rear shock absorber.....	19
Table 33.12 - Fuel tank.....	20
Table 33.13 - Front body - Front mudguard.....	21
Table 33.14 - Saddle-Central bod.....	22
Table 33.15 - Rear body I- Mudguard.....	23
Table 33.16 - Rear body II- Plate holder.....	24
Table 33.17 - Dashboard.....	25
Table 33.18 - Handlebar - Controls.....	26
Table 33.19 - Front brake system.....	27
Table 33.21 - Fuel pump.....	28
Table 33.22 - Air box.....	29
Table 33.23 - Exhaust unit.....	30
Table 33.26 - Rear master cylinder.....	31
Table 33.27 - Rear brake caliper.....	32
Table 33.28 - Front lights.....	33
Table 33.29 - Rear lights.....	34
Table 33.30 - Electrical system I.....	35
Table 33.31 - Electrical system II.....	36
Table 33.32 - Lock hardware kit.....	38
Table 33.33 - Decal and plate set.....	39
Table 33.34 - Front wheel II.....	40
Table 33.35 - Rear wheel II.....	41
Table 33.36 - ABS Brake system.....	42
Table 33.48 - Fuel vapour recover system.....	43
ENGINE.....	44
Table 34.09 - Transmission complete I.....	44
Table 34.10 - Transmission complete II.....	45
Table 34.34 - Crank-case.....	48
Table 34.35 - Timing system cover.....	49
Table 34.36 - Cylinder head.....	50
Table 34.37 - Crankshaft cpl.....	51
Table 34.38 - Timing system.....	52



---

Table 34.39 - Oil pump.....	54
Table 34.40 - Clutch I.....	55
Table 34.41 - Clutch II.....	56
Table 34.42 - Transmission cage.....	57
Table 34.43 - Gear box.....	58
Table 34.44 - Gear box selector.....	59
Table 34.45 - Generator - Regulator.....	60
Table 34.46 - Starter motor.....	61
Table 34.47 - Throttle body.....	62



## Finished products

Code	Validity
GU9032113USG00	
GU9032113USG01	
GU9032113USG02	
GU9032113USG03	
GU9032113USG04	





Code	No. table	Pos.	Code	No. table	Pos.	Code	No. table	Pos.
080341	33.30	6	2B000840	33.14	16	2D000102	33.36	1
1A000360	34.43	5	2B000878	33.14	9	2D000108	33.30	1
1A000361	34.43	11	2B000880	33.14	1	2D000108	33.31	1
1A000365	34.43	14	2B000909	33.12	14	2D000202	33.31	27
1A000366	34.43	16	2B000971	34.47	19	2D000205	33.30	11
1A000367	34.43	20	2B000972	34.47	20	2D000206	33.30	22
1A000368	34.43	21	2B000975	33.01	1	2D000207	33.30	21
1A000369	34.43	22	2B000980	33.02	1	2D000247	33.30	11
1A000370	34.43	18	2B000988	33.02	2	2G000072	33.33	11
1A000436	34.43	8	2B000995	33.23	1	2G000073	33.33	13
1A000566	34.43	2	2B000996	33.23	2	2G000074	33.33	15
1A002604	34.43	7	2B001004	33.02	9	2G000076	33.33	12
1C001499	33.03	9	2B001008	33.02	8	2H000413	33.33	3
248419	33.26	19	2B001016	33.36	13	2H000415000XN6	33.12	1
254485	33.15	4	2B001031	34.47	14	2H000415000YE6	33.12	1
254485	33.22	14	2B001035	33.01	10	2H000415000YG4	33.12	1
254485	33.23	20	2B001036	33.03	1	2H000415000YR2	33.12	1
254485	33.28	20	2B001048	33.18	10	2H000722000XN6	33.14	10
254485	34.45	10	2B001049	33.18	24	2H000723000XN6	33.14	17
285536	34.40	14	2B001096	33.06	1	2H000724	33.33	4
2A000085	34.35	1	2B001101	33.17	8	2L0002405	34.34	28
2A000097	34.42	4	2B001138	33.18	25	2Q000057	33.33	7
2A0000995	34.37	1	2B001197	33.19	13	2R000109	33.08	29
2A000115	34.45	6	2B001199	33.19	1	2R000110	33.08	4
2A000129	34.45	7	2B001202	33.18	3	2R000243	33.08	15
2A000146	34.38	1	2B001230	33.02	10	2R000248	33.27	7
2A000147	34.38	2	2B001300	33.18	2	584211	33.31	10
2A000196	34.42	16	2B001342	33.21	2	638733	33.31	6
2A000199	34.43	23	2B001425	33.07	1	641040	33.30	8
2A000202	34.43	24	2B001555	33.36	5	641541	34.39	8
2A000203	34.43	15	2B001556	33.36	4	641725	33.30	7
2A000204	34.41	12	2B001557	33.36	2	641901	33.30	4
2A000210	34.42	1	2B001558	33.36	3	642034	33.30	3
2A000216	34.41	13	2B001561	33.34	16	658837	33.26	11
2A000219	34.44	5	2B001564	33.36	14	832029	33.30	14
2A000222	34.44	12	2B001570	33.36	21	834764	34.40	9
2A000224	34.44	16	2B001591	33.08	10	848650	34.40	3
2A000225	34.44	19	2B001597	33.26	13	849308	34.43	4
2A000226	34.44	17	2B001612	33.02	3	849309	34.43	17
2A000227	34.44	18	2B001614	33.36	15	849310	34.43	19
2A000230	34.43	1	2B001701	33.29	1	849396	34.43	12
2A0002355	34.34	1	2B001708	33.34	15	849424	34.43	6
2A000241	34.40	17	2B001783	33.15	12	854973	33.36	8
2A000241	34.42	6	2B001926	33.19	9	856063	33.48	14
2A000306	34.42	5	2B001927	33.19	8	857206	34.45	4
2A000375	34.42	11	2B001928	33.19	6	857250	34.42	10
2A000376	34.41	20	2B001929	33.19	7	859792	33.34	14
2A000378	34.41	24	2B001941	33.06	8	859792	33.35	18
2A0003794	34.40	1	2B001959	34.09	11	860138	33.48	7
2A000382	34.10	22	2B001998	33.18	26	860651	34.09	19
2A000383	34.41	1	2B002069	33.23	11	862560	34.44	22
2A000384	34.41	5	2B002070	33.23	10	873905	34.40	8
2A000385	34.41	6	2B002195	33.11	8	873928	34.40	6
2A000415	34.44	20	2B002261	33.48	17	873928	34.42	8
2A000416	34.44	20	2B002318	34.10	27	874567	34.37	14
2A000438	34.42	17	2B002319	34.10	27	880260	34.47	4
2A000467	34.44	3	2B002320	34.10	27	883051	33.04	1
2B000225	33.35	16	2B002424	34.10	27	883052	33.04	2
2B000229	33.27	1	2B002425	34.10	27	883127	33.22	6
2B000276	33.36	22	2B002426	34.10	27	883161	33.31	11
2B000348	33.05	13	2B002549	33.14	12	883266	33.13	2
2B000349	33.05	12	2D000005	33.30	11	883293	33.23	15
2B000377	33.35	17	2D000006	33.32	10	883294	33.23	4
2B000508	33.26	14	2D000021	33.17	10	883295	33.14	5
2B000525	33.27	6	2D000022	33.17	9	883297	33.23	13
2B000579	34.38	15	2D000024	34.45	1	883298	33.23	14
2B000671	33.18	1	2D000043	34.45	2	883417	33.28	18



Code	No. table	Pos.	Code	No. table	Pos.	Code	No. table	Pos.
883470	33.16	6	887900	33.08	23	AP8113003	33.19	15
883476	33.32	3	887901	33.08	24	AP8113003	33.36	7
883477	33.32	1	887902	33.08	25	AP8113004	33.19	14
883480	33.16	9	887903	33.08	26	AP8113004	33.36	6
883502	33.12	5	887904	33.08	27	AP8113241	33.26	22
883673	33.19	17	887905	33.08	28	AP8113288	33.26	16
883688	33.34	10	887908	33.26	26	AP8113553	33.26	23
883704	33.23	25	887910	33.26	1	AP8120030	33.36	10
883826	34.34	18	887911	33.26	24	AP8120246	34.09	10
884029	34.47	11	887912	33.08	30	AP8120311	33.01	13
884035	33.11	1	887913	33.08	31	AP8120416	33.30	18
884038	34.40	24	887914	33.08	32	AP8120416	33.31	19
884039	34.39	7	887915	33.08	33	AP8120416	33.48	11
884310	34.47	15	887916	33.08	34	AP8120446	33.48	9
884311	34.47	13	887930	33.33	2	AP8120455	33.22	9
886141	33.33	5	887944	33.12	1	AP8120557	33.12	11
886340	33.33	1	887948	33.30	13	AP8120573	33.04	9
88635200XN6	33.13	1	887952	33.26	27	AP8120573	33.05	9
886365	34.34	10	890760	33.22	16	AP8120615	33.22	10
886629	34.40	2	890979	33.28	16	AP8120772	33.22	20
886670	34.37	11	894505	33.35	13	AP8120870	33.23	24
887002	34.36	10	894704	33.31	26	AP8120876	33.22	8
887003	34.35	2	895709	33.36	18	AP8120912	33.06	2
887004	34.34	13	895839	33.33	8	AP8120912	33.26	2
887093	34.39	9	896110	33.23	21	AP8121014	33.03	3
887195	33.17	1	897478	34.45	3	AP8121032	33.15	10
8872690001	34.37	10	898086	33.07	7	AP8121032	33.15	13
8872690002	34.37	10	898164	33.11	3	AP8121032	33.17	7
8872690003	34.37	10	898283	33.06	4	AP8121072	33.23	22
8872724	34.36	1	959559	33.36	16	AP8121133	33.05	6
8872754	34.36	2	967356	33.03	6	AP8121267	33.48	10
887279	34.36	24	969973	34.36	26	AP8121307	33.07	4
887443	33.33	9	974162	34.43	10	AP8121420	33.14	7
887448	33.35	12	974165	34.43	13	AP8121420	33.32	8
887481	33.30	12	976604	34.34	12	AP8121607	33.03	2
887483	34.36	25	976608	34.10	1	AP8121673	33.12	12
887523	34.36	9	976685	34.34	16	AP8124718	33.16	7
887528	34.38	27	976898	34.36	20	AP8124936	33.30	2
887571	33.34	1	976941	34.09	1	AP8127856	33.03	8
887573	33.35	1	977527	33.14	6	AP8134378	33.23	18
887787	33.21	5	977527	33.32	4	AP8134451	33.05	5
887815	33.22	13	978311	33.28	2	AP8144007	33.26	4
8878421	33.22	1	978385	33.23	12	AP8144071	33.23	16
887843	33.22	2	978415	33.14	8	AP8144071	34.36	23
887844	33.22	11	978415	33.32	9	AP8144081	33.07	5
887845	33.22	12	978940	33.14	10	AP8144146	33.07	3
887852	33.18	4	978943	33.14	17	AP8144553	33.22	7
887853	33.18	5	978946	33.15	1	AP8144729	33.22	17
887875	33.34	6	978946	33.15	1	AP8145034	33.04	3
887878	33.08	1	978947	33.15	2	AP8145035	33.04	10
887879	33.08	2	978969	33.26	3	AP8149034	33.16	4
887880	33.08	3	981149	33.28	12	AP8150015	33.36	12
887882	33.08	5	AP8101594	33.26	20	AP8150045	34.40	11
887883	33.08	6	AP8101595	33.12	10	AP8150178	33.34	17
887884	33.08	7	AP8101861	33.05	7	AP8150248	33.16	2
887885	33.08	8	AP8102159	33.48	6	AP8150349	33.32	6
887886	33.08	9	AP8102375	33.14	15	AP8150377	33.28	13
887888	33.08	11	AP8102375	33.31	14	AP8150436	33.02	12
887889	33.08	12	AP8102520	33.22	27	AP8150451	33.36	19
887890	33.08	13	AP8102524	33.03	4	AP8150509	33.22	19
887891	33.08	14	AP8102678	33.48	1	AP8152043	33.19	4
887893	33.08	16	AP8102688	33.48	2	AP8152220	33.02	11
887894	33.08	17	AP8102766	33.22	23	AP8152220	34.39	18
887895	33.08	18	AP8102913	33.14	3	AP8152268	33.16	3
887896	33.08	19	AP8104509	33.18	9	AP8152273	33.21	4
887898	33.08	21	AP8104525	33.22	5	AP8152277	33.04	7
887899	33.08	22	AP8104924	33.22	4	AP8152277	33.05	8



Code	No. table	Pos.	Code	No. table	Pos.	Code	No. table	Pos.
AP8152278	33.11	2	B063800	33.28	4	GU12022600	34.10	6
AP8152278	33.15	3	B063800	33.29	4	GU12022600	34.40	10
AP8152279	33.15	9	B063801	33.28	5	GU12154200	34.34	23
AP8152279	33.36	11	B063801	33.29	5	GU13021900	34.34	26
AP8152281	34.45	9	B063956	34.44	4	GU13021900	34.36	12
AP8152282	33.31	7	B063975	33.18	15	GU14085900	34.41	17
AP8152286	33.34	11	B064112	34.44	8	GU14086100	34.41	7
AP8152288	33.27	4	B064113	34.44	11	GU14090400	34.41	2
AP8152298	33.26	18	CM001928	33.07	8	GU14217901	34.40	25
AP8152298	34.47	6	CM001929	33.07	9	GU14609650	33.30	20
AP8152299	33.15	14	CM0074C9	33.30	10	GU14609650	33.31	19
AP8152299	33.30	5	CM0074D0	33.30	9	GU14615901	33.05	15
AP8152299	33.48	5	CM013202	33.31	25	GU14615901	33.13	5
AP8152306	33.16	5	CM225705	33.31	15	GU14615901	34.09	20
AP8152329	33.15	11	CM225710	33.31	16	GU14615901	34.37	5
AP8152329	33.22	18	CM225715	33.31	17	GU14616150	33.34	7
AP8152329	33.22	24	CM225720	33.31	20	GU14616150	33.35	10
AP8152339	33.14	14	CM225730	33.31	18	GU18144350	34.39	16
AP8152385	33.19	16	CM228306	34.47	1	GU18161150	34.39	21
AP8157100	33.33	17	CM228401	33.04	8	GU18257551	33.26	8
AP8161054	33.22	15	CM228401	33.05	4	GU19002020	34.35	5
AP8181140	33.31	24	CM258303	33.22	22	GU19002020	34.42	2
AP8201358	33.22	3	GU00823923140	33.03	7	GU19003800	34.34	8
AP8201358	33.48	13	GU00823923140	33.48	12	GU19015020	34.34	5
AP8213028	33.18	23	GU00823931055	33.28	19	GU19017000	33.02	4
AP8213057	33.26	15	GU00823944050	33.12	13	GU19018920	34.39	10
AP8213388	33.18	18	GU00823950050	33.26	21	GU19021360	34.36	18
AP8220283	33.31	22	GU01528930	34.10	9	GU19021920	34.36	7
AP8220460	33.07	6	GU01528930	34.42	18	GU19025280	33.23	5
AP8221023	33.22	25	GU01609630	33.18	14	GU19025460	33.23	6
AP8221023	33.36	9	GU01659130	33.19	11	GU19030500	34.38	7
AP8221114	33.48	16	GU01659131	33.19	12	GU19032080	34.38	10
AP8221197	33.03	5	GU01665410	33.26	25	GU19032980	34.36	17
AP8221277	33.04	6	GU03013800	33.06	7	GU19032980	34.38	14
AP8224462	33.31	21	GU03013800	33.23	8	GU19034000	34.38	8
AP8257609	33.33	16	GU03013800	34.47	10	GU19037820	34.36	8
AP8257794	33.33	14	GU03067730	34.10	19	GU19045861	34.38	25
B013037	34.41	10	GU03101600	33.12	7	GU19055700	34.38	23
B013608	34.40	5	GU03101900	33.12	3	GU19058021	34.38	19
B013608	34.42	9	GU03102200	33.12	6	GU19058220	34.38	20
B015040	34.43	9	GU03102400	33.12	2	GU19062261	34.37	4
B015598	34.40	15	GU03103200	33.12	8	GU19065400	34.37	2
B016796	34.47	5	GU03103500	33.12	4	GU19067700	34.37	18
B017406	34.40	12	GU03163330	33.31	3	GU19083462	34.40	22
B017470	34.43	3	GU03609600	33.18	14	GU19146422	34.39	1
B018020	34.40	13	GU03617710	33.34	5	GU19152200	34.39	11
B018448	34.40	16	GU03617710	33.35	6	GU19206501	34.10	10
B043850	33.31	23	GU03658201	33.36	20	GU19213760	34.41	15
B045974	33.33	10	GU03658330	33.36	17	GU19327601	34.09	5
B063016	34.37	13	GU03740930	33.29	2	GU19328801	34.09	3
B063022	33.23	3	GU03749845	33.19	5	GU19350700	34.10	22
B063025	34.42	15	GU03922280	34.09	23	GU19351100	34.10	4
B063025	34.44	21	GU05107430	33.21	3	GU19351900	34.10	2
B063049	34.47	2	GU05217630	34.41	18	GU19352300	34.10	23
B063099	34.36	19	GU05234230	34.44	9	GU19353500	34.10	24
B063111	34.36	6	GU05234631	34.44	13	GU19355200	34.10	35
B063132	33.04	13	GU05235531	34.44	14	GU19355202	34.10	36
B063135	33.18	6	GU05238231	34.44	6	GU19355300	34.10	33
B063233	33.31	5	GU05238431	34.44	7	GU19355301	34.10	33
B063269	34.42	3	GU05239330	34.44	1	GU19355302	34.10	33
B063287	33.01	4	GU05659230	33.19	10	GU19355303	34.10	33
B063431	33.14	11	GU05730730	34.46	1	GU19355304	34.10	33
B063443	33.26	28	GU05781630	33.16	1	GU19355305	34.10	33
B063465	34.37	15	GU05900130	33.33	6	GU19355306	34.10	33
B063466	34.37	16	GU06740400	33.28	17	GU19355307	34.10	33
B063749	33.11	1	GU10528900	34.34	15	GU19355308	34.10	33
B063752	33.21	1	GU12003702	34.34	20	GU19355309	34.10	33

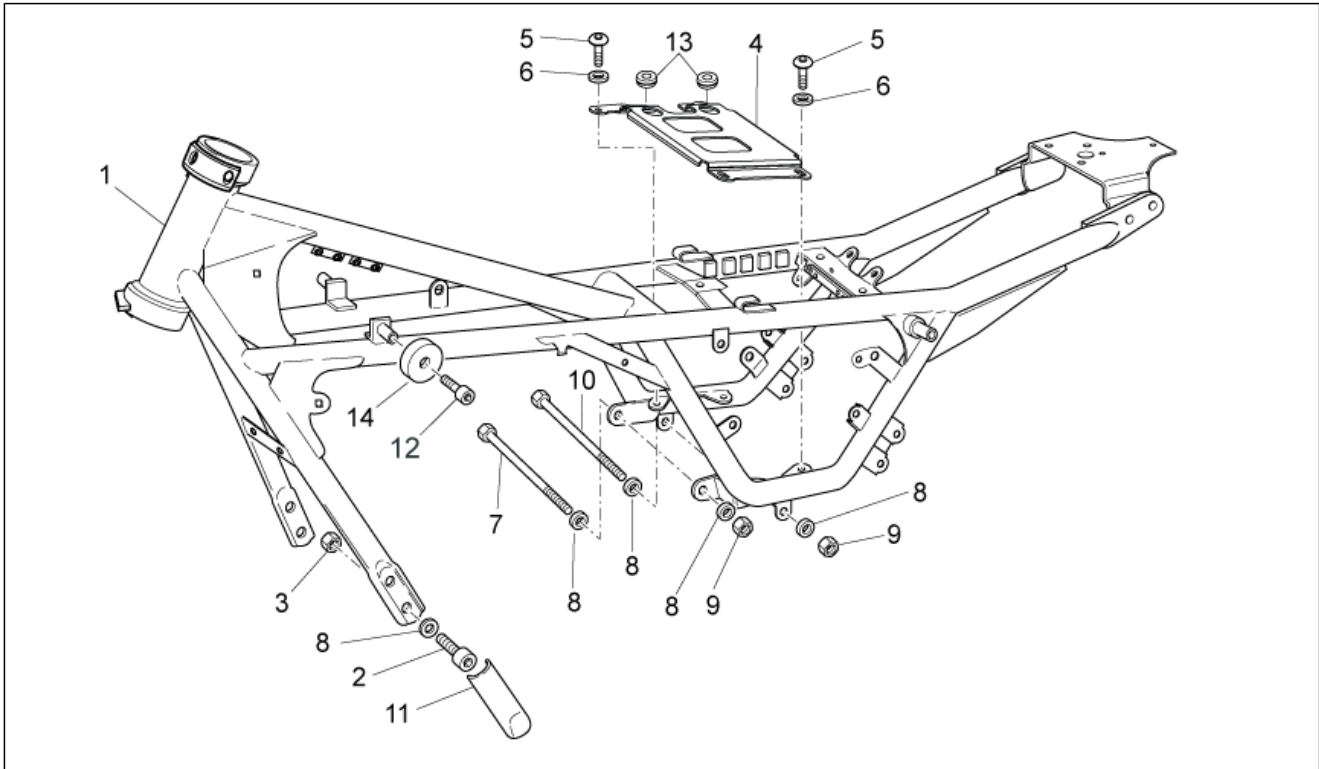


Code	No. table	Pos.	Code	No. table	Pos.	Code	No. table	Pos.
GU19355320	34.10	21	GU31544181	34.09	15	GU66103415	33.01	14
GU19355321	34.10	21	GU31547882	34.09	14	GU90271014	34.44	2
GU19355322	34.10	21	GU31614183	33.34	9	GU90271018	34.38	12
GU19355323	34.10	21	GU31615283	33.34	2	GU90271022	34.44	15
GU19355324	34.10	21	GU31616384	33.34	12	GU90272023	34.09	4
GU19355325	34.10	21	GU31634281	33.27	2	GU90272075	34.40	21
GU19355326	34.10	21	GU31634481	33.35	15	GU90353009	34.36	4
GU19355327	34.10	21	GU31659181	33.27	9	GU90353014	34.44	10
GU19355328	34.10	21	GU31659281	33.27	8	GU90353029	34.38	24
GU19355329	34.10	21	GU31740383	33.28	11	GU90353030	34.10	17
GU19355400	34.10	21	GU32032310	34.38	11	GU90401424	34.42	14
GU19355402	34.10	21	GU32053410	34.38	16	GU90402538	33.35	2
GU19355404	34.10	21	GU32054510	34.38	17	GU90402642	33.34	4
GU19355406	34.10	21	GU32067910	34.40	19	GU90403251	34.10	38
GU19355408	34.10	21	GU32080310	34.40	23	GU90403549	34.10	3
GU19355410	34.10	21	GU32084410	34.40	20	GU90407591	34.10	15
GU19355411	34.10	21	GU32115010	34.47	3	GU90412541	34.42	13
GU19355412	34.10	21	GU32115011	34.47	8	GU90706076	34.34	9
GU19355413	34.10	21	GU32115510	34.47	7	GU90706111	34.39	22
GU19356700	34.10	30	GU32121010	33.23	7	GU90706141	33.30	17
GU19356760	34.41	16	GU32350410	34.10	13	GU90706170	34.41	19
GU19356801	34.10	28	GU32351410	34.10	16	GU90706188	34.10	29
GU19357660	34.10	25	GU32354610	34.10	18	GU90706203	34.10	7
GU19547000	34.09	12	GU32434460	33.13	1	GU90706203	34.40	26
GU20147710	34.39	17	GU32439260	33.48	3	GU90706235	34.41	14
GU20147810	34.39	3	GU32441210	33.04	5	GU90706281	34.34	19
GU20148410	34.39	4	GU32441210	33.05	3	GU90706444	34.34	17
GU20148610	34.39	5	GU32442310	33.05	1	GU90706584	34.10	37
GU20258221	33.06	9	GU32442710	33.05	10	GU91113826	33.23	23
GU20352421	34.10	31	GU32443210	33.04	4	GU91120806	33.15	6
GU20355121	34.10	34	GU32443210	33.05	2	GU91181003	33.18	11
GU23217800	34.38	3	GU32443211	33.04	11	GU91181003	33.19	3
GU23328081	34.09	7	GU32443211	33.05	11	GU91551010	33.22	21
GU23548080	34.09	8	GU32457810	33.01	11	GU91551086	33.14	13
GU23548180	34.09	9	GU32461610	33.14	2	GU92201070	34.10	14
GU23943410	33.08	35	GU32506360	33.28	1	GU92201226	34.40	4
GU27037521	34.38	4	GU32517710	33.31	8	GU92201226	34.42	7
GU27061585	34.37	3	GU32555210	33.11	4	GU92201822	34.40	7
GU27061885	34.37	17	GU32555211	33.11	5	GU92201822	34.42	12
GU27062060	34.37	6	GU32603010	33.18	16	GU92204217	33.35	5
GU27065660	34.37	7	GU32603310	33.18	7	GU92204218	33.35	3
GU27066460	34.37	9	GU32615660	33.34	8	GU92204221	33.34	3
GU27066560	34.37	8	GU32632510	33.35	9	GU92249220	34.10	32
GU27152885	34.34	22	GU32633360	33.35	14	GU92249225	33.07	2
GU27153085	34.39	14	GU32633560	34.10	11	GU92249227	34.10	20
GU27633910	33.35	4	GU32634160	33.27	5	GU92252210	34.39	2
GU28157950	33.48	8	GU32636160	33.35	7	GU92252235	34.10	5
GU29729461	33.31	2	GU32735510	33.32	5	GU92296723	34.39	6
GU29759150	33.18	17	GU32747910	33.31	9	GU92602406	34.38	9
GU30577800	33.29	13	GU32753410	33.28	3	GU92602510	34.39	19
GU30577800	34.47	17	GU32753410	33.29	8	GU92603010	34.36	11
GU30601060	33.18	13	GU32753711	33.28	14	GU92606206	33.17	6
GU30602500	33.18	22	GU32753711	33.29	6	GU92606208	34.34	7
GU31003766	34.10	8	GU32781910	33.16	10	GU92606210	33.01	9
GU31003766	34.34	14	GU32782510	33.32	2	GU92606210	33.02	5
GU31016050	34.39	20	GU32999010	34.34	25	GU92606210	33.11	7
GU31037015	34.38	13	GU32999510	34.34	24	GU92606210	34.09	18
GU31038015	34.38	5	GU35214300	34.09	13	GU92606316	33.35	11
GU31045015	34.38	26	GU49609601	33.30	19	GU92606508	34.41	21
GU31112965	33.22	26	GU49609601	33.31	19	GU92609007	33.26	12
GU31121880	33.23	9	GU61027200	34.37	12	GU92630108	33.15	8
GU31150950	34.39	26	GU61036801	34.36	3	GU92630204	33.16	8
GU31159050	34.39	15	GU61038100	34.38	6	GU92630206	33.26	6
GU31327783	34.09	2	GU61054900	34.38	18	GU92630207	33.34	18
GU31439565	33.13	4	GU61270300	34.10	26	GU92630510	33.01	3
GU31513480	33.08	20	GU61270300	34.34	6	GU92630707	33.06	5
GU31544181	33.27	3	GU61270300	34.36	21	GU92640508	33.23	19



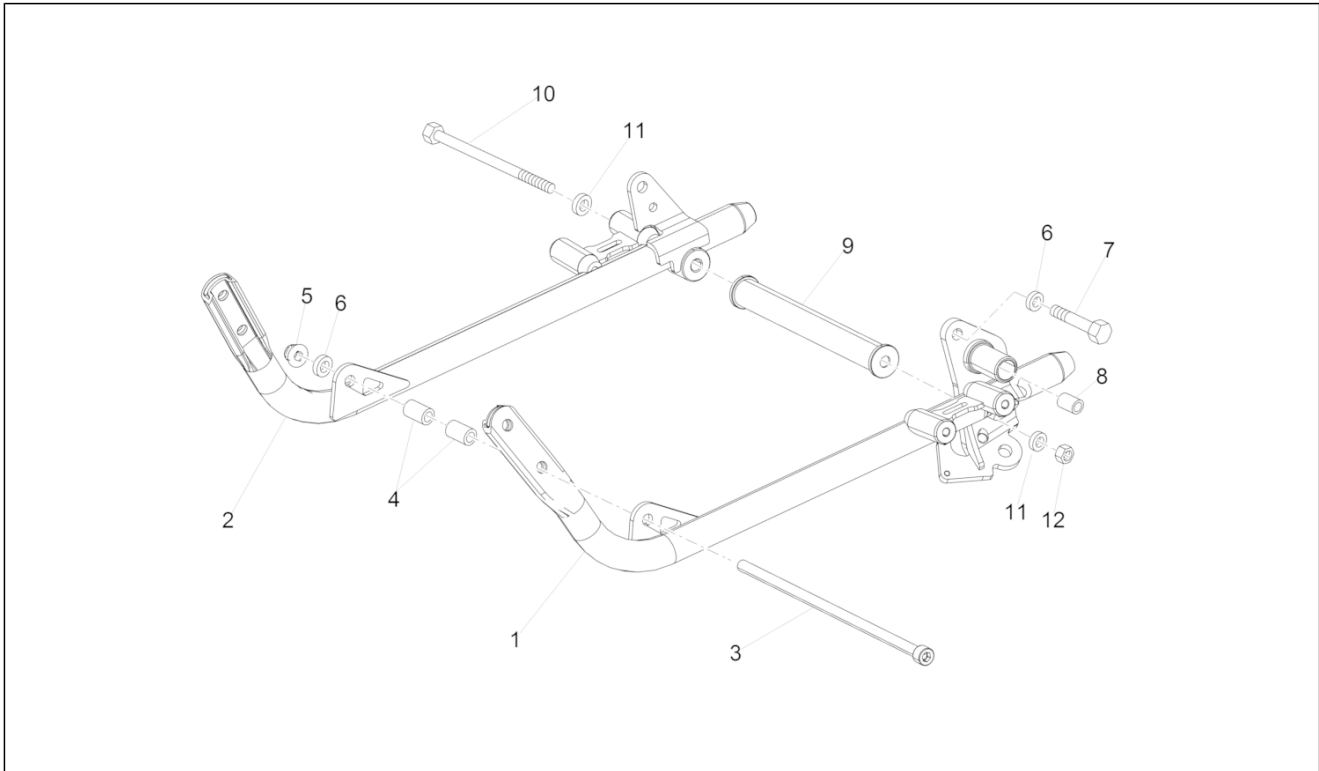
Code	No. table	Pos.	Code	No. table	Pos.
GU92660021	33.26	7	GU98084314	34.39	12
GU92787006	33.28	6	GU98110199	33.01	7
GU92787006	33.29	11	GU98210612	33.23	27
GU93180105	34.09	21	GU98230510	33.18	19
GU93180111	33.34	13	GU98350215	33.29	12
GU93180245	34.36	22	GU98350416	33.01	5
GU93222023	33.17	4	GU98370515	34.47	18
GU93231605	33.29	14	GU98370609	33.17	2
GU93231605	34.47	16	GU98370625	33.14	4
GU93301175	33.23	26	GU98370625	33.26	17
GU93301313	33.48	15	GU98370655	33.28	7
GU93450105	33.28	9	GU98370655	33.29	9
GU93450127	33.28	15	GU98370845	33.13	3
GU93450127	33.29	7	GU98612216	33.35	8
GU93450224	33.29	3	GU98622322	34.47	9
GU93450232	33.28	10	GU98632322	33.06	6
GU94321079	34.39	24	GU98680440	34.40	27
GU94321099	34.09	6	GU98680545	34.09	16
GU94321105	34.41	23	GU98682212	33.30	15
GU95005306	33.17	3	GU98682212	33.31	12
GU95005308	33.26	9	GU98682212	34.45	5
GU95005308	33.28	23	GU98682312	33.35	19
GU95005308	34.09	22	GU98682325	34.34	11
GU95005310	33.15	7	GU98682325	34.35	3
GU95005310	33.26	5	GU98682330	34.35	4
GU95005311	33.48	4	GU98682414	33.01	12
GU95008205	33.30	16	GU98682416	33.04	12
GU95008206	34.39	23	GU98682416	33.05	14
GU95008208	33.01	6	GU98682416	33.32	7
GU95008208	34.46	3	GU98682430	33.12	9
GU95008210	33.01	8	GU98682435	34.46	2
GU95008210	33.02	6	GU98682530	33.01	2
GU95008210	33.31	4	GU98690335	33.18	8
GU95008210	34.09	17	GU98690435	33.15	5
GU95008305	33.18	20	GU98690440	33.23	17
GU95008306	34.40	18	GU98692325	34.36	16
GU95020105	33.03	10	GU98692414	33.17	11
GU95021104	33.19	2	GU98692420	33.28	22
GU95021105	33.18	21	GU98880540	33.28	21
GU95021206	33.17	5	GU98882316	34.38	21
GU95021206	33.28	8			
GU95021206	33.29	10			
GU95100059	33.31	13			
GU95100116	34.47	12			
GU95100125	34.45	8			
GU95100244	34.38	29			
GU95100309	34.39	27			
GU95100602	34.39	25			
GU95100709	34.34	21			
GU95129115	34.38	22			
GU95129180	34.34	27			
GU95129180	34.36	13			
GU95129181	33.11	6			
GU95129260	33.06	3			
GU95187006	34.39	13			
GU95500221	33.26	10			
GU95500222	34.41	22			
GU96451430	34.34	3			
GU96451560	34.34	2			
GU96506042	34.36	5			
GU96508055	34.10	12			
GU96508055	34.34	4			
GU96510181	34.36	15			
GU96510214	34.36	14			
GU97202325	33.18	12			
GU98054422	34.38	28			
GU98082565	33.02	7			

<b>Group</b>	FRAME
<b>Code</b>	33.01
<b>Description</b>	Frame I
<b>Service</b>	1



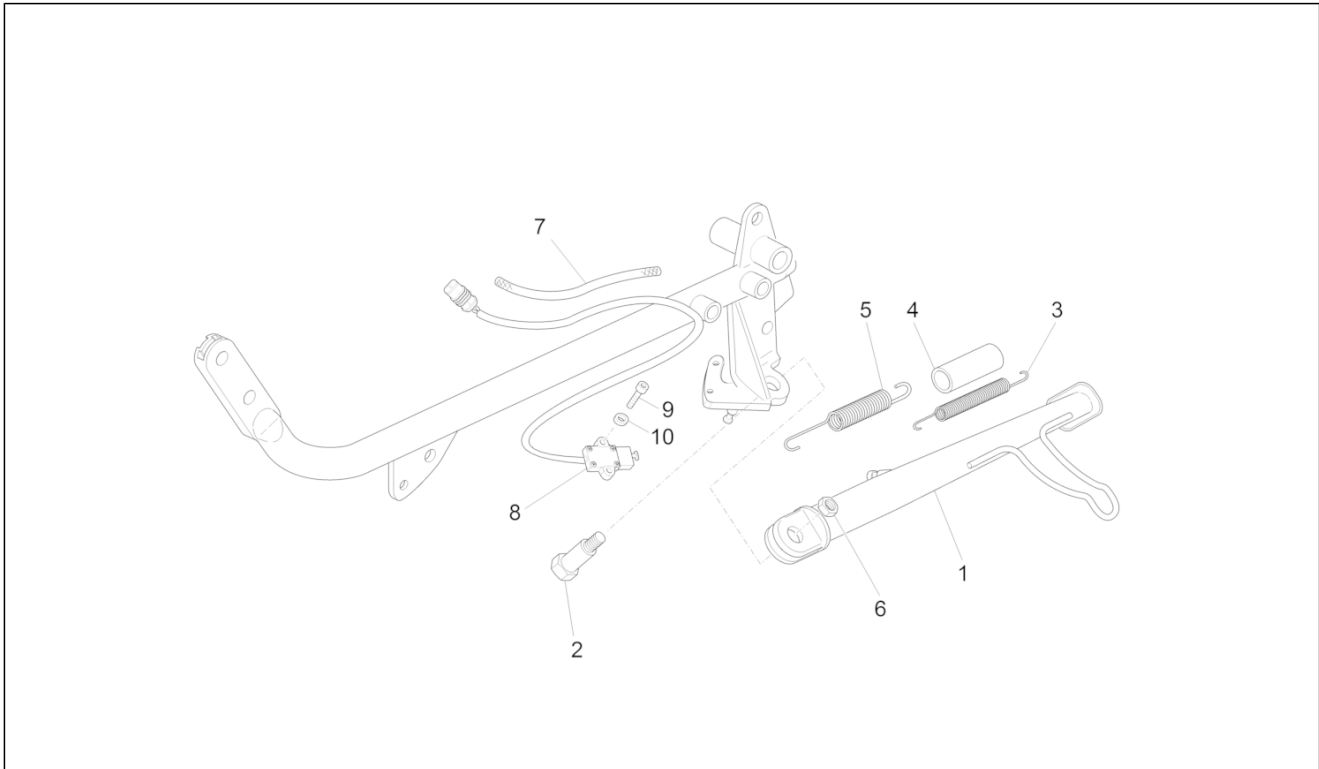
Pos.	Code	Description	Qty	Variants
1	2B000975	Frame, black	1	
2	GU98682530	Hex socket screw M10x30	4	
3	GU92630510	Nut M10x1,5	4	
4	B063287	Frame union plate	1	
5	GU98350416	Hex socket screw M8x16	4	
6	GU95008208	Washer 8,4X15X1,5	4	
7	GU98110199	Pin M10x205	1	
8	GU95008210	Washer 10,2X18X2	11	
9	GU92606210	Nut M10x1,5	3	
10	2B001035	Pin 234X10	2	
11	GU32457810	Guard	2	
12	GU98682414	Hex socket screw	2	
13	AP8120311	Rubber spacer	2	
14	GU66103415	Rubber spacer	2	

<b>Group</b>	FRAME
<b>Code</b>	33.02
<b>Description</b>	Frame II
<b>Service</b>	1



Pos.	Code	Description	Qty	Variants
1	2B000980	LH cradle arm	1	
2	2B000988	RH cradle arm	1	
3	2B001612	Pin M10X253	1	
4	GU19017000	Bushing	2	
5	GU92606210	Nut M10x1,5	3	
6	GU95008210	Washer 10,2X18X2	3	
7	GU98082565	screw M10x65	2	
8	2B001008	Bush	1	
9	2B001004	Crosspiece	1	
10	2B001230	Pin 278X10	1	
11	AP8152220	Washer	2	
12	AP8150436	Low self-locking nut	1	

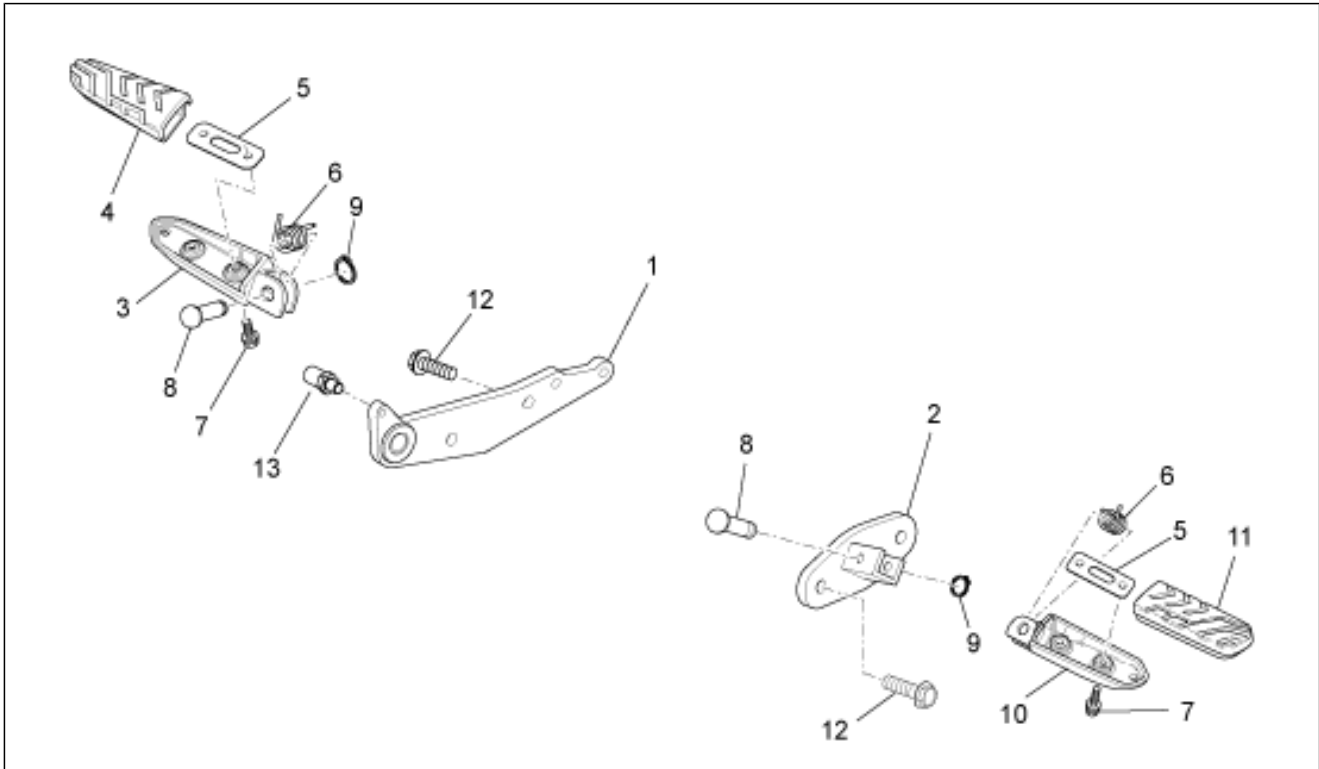
<b>Group</b>	FRAME
<b>Code</b>	33.03
<b>Description</b>	Lateral stand
<b>Service</b>	1



Pos.	Code	Description	Qty	Variants
1	2B001036	Lateral stand	1	
2	AP8121607	Central stand fixing screw	1	
3	AP8121014	Coil pull spring	1	
4	AP8102524	Stand spring protection	1	
5	AP8221197	Lateral stand spring	1	
6	967356	Flanged nut M10x1,25	1	
7	GU00823923140	Thermal sheath	1	
8	AP8127856	Lateral stand switch	1	
9	1C001499	TBEI TORX screw M5x16 INOX	2	
10	GU95020105	Washer 5,3x8,9x2,4	2	

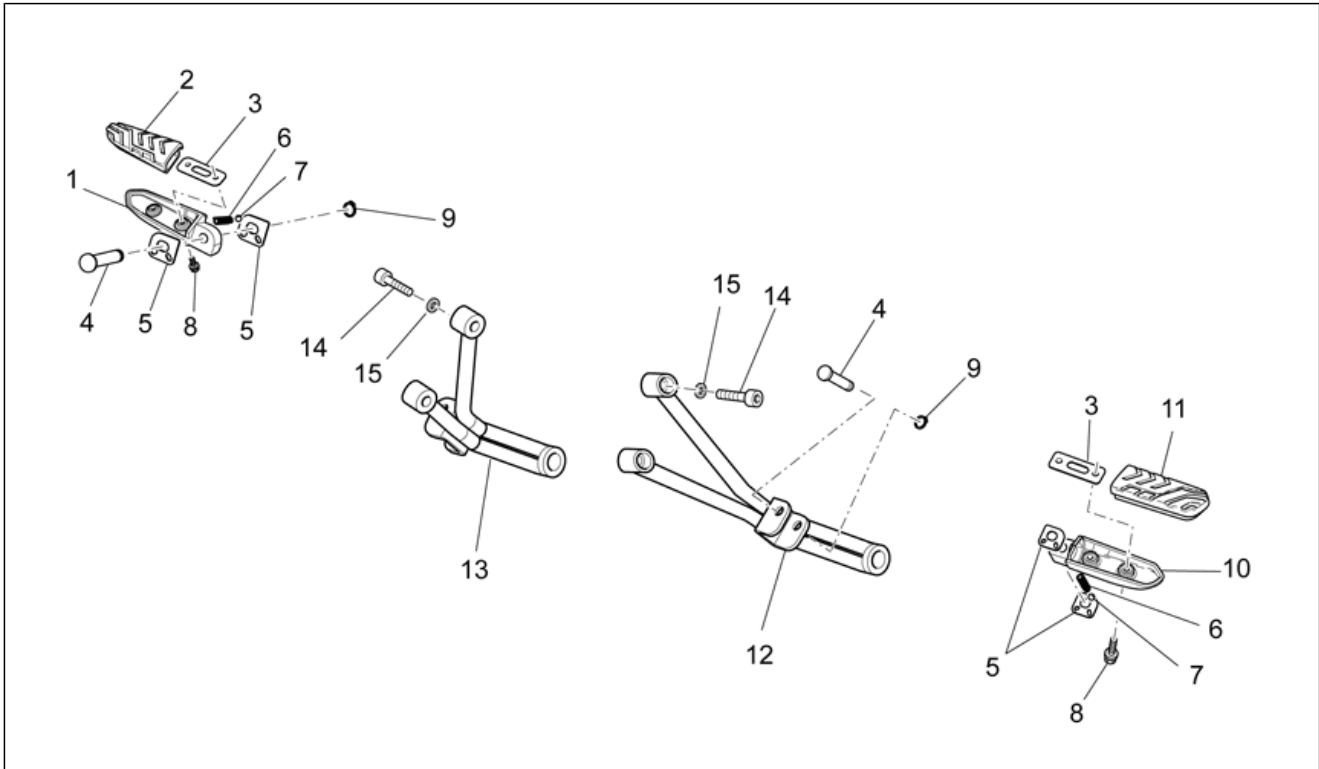


<b>Group</b>	FRAME
<b>Code</b>	33.04
<b>Description</b>	Front footrests
<b>Service</b>	1



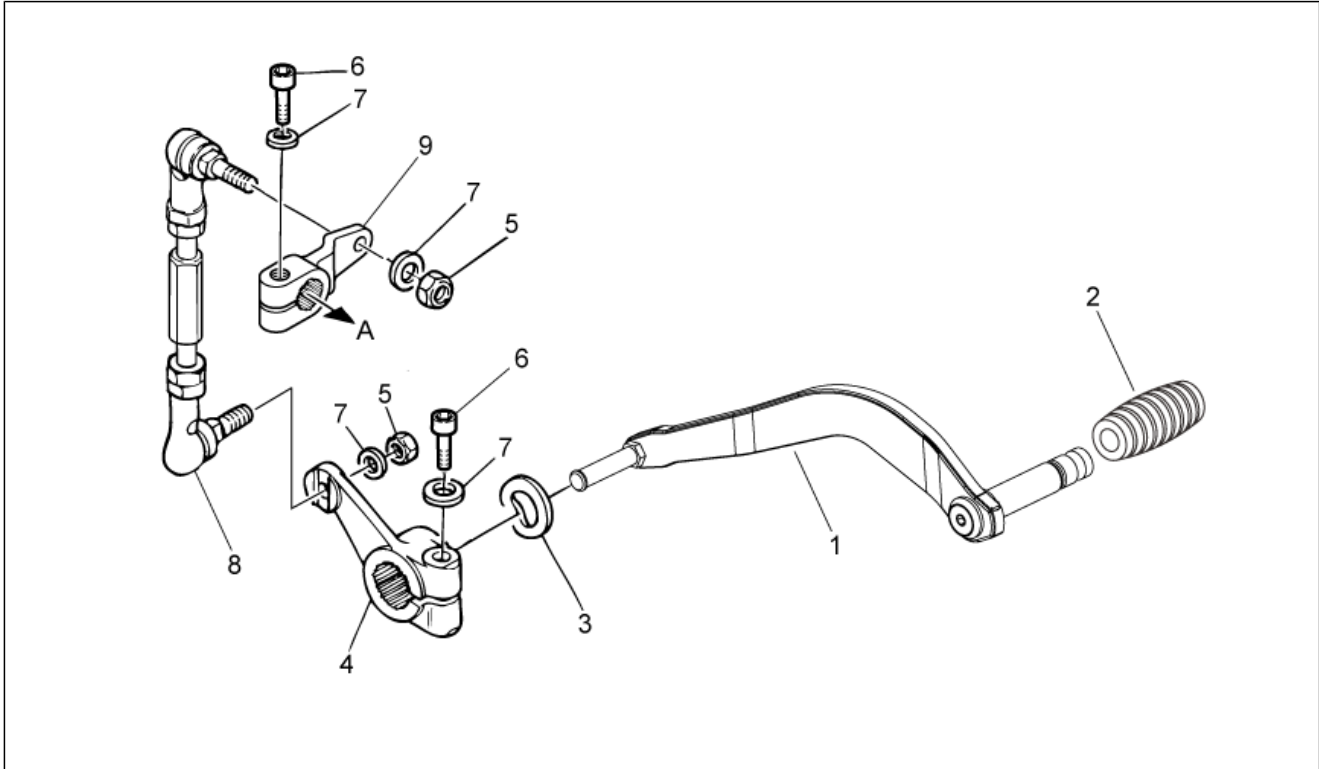
Pos.	Code	Description	Qty	Variants
1	883051	RH foot rest support	1	
2	883052	LH footrest support	1	
3	AP8145034	RH Foot rests	1	
4	GU32443210	Support rubber part	1	
5	GU32441210	Plate	2	
6	AP8221277	Footrest return spring	2	
7	AP8152277	Screw w/ flange M6x12	4	
8	CM228401	Footrest pin	2	
9	AP8120573	Stop ring	2	
10	AP8145035	LH Foot rests	1	
11	GU32443211	Support rubber part	1	
12	GU98682416	Hex socket screw M8x16	4	
13	B063132	Limit stop	1	

<b>Group</b>	FRAME
<b>Code</b>	33.05
<b>Description</b>	Rear footrests
<b>Service</b>	1



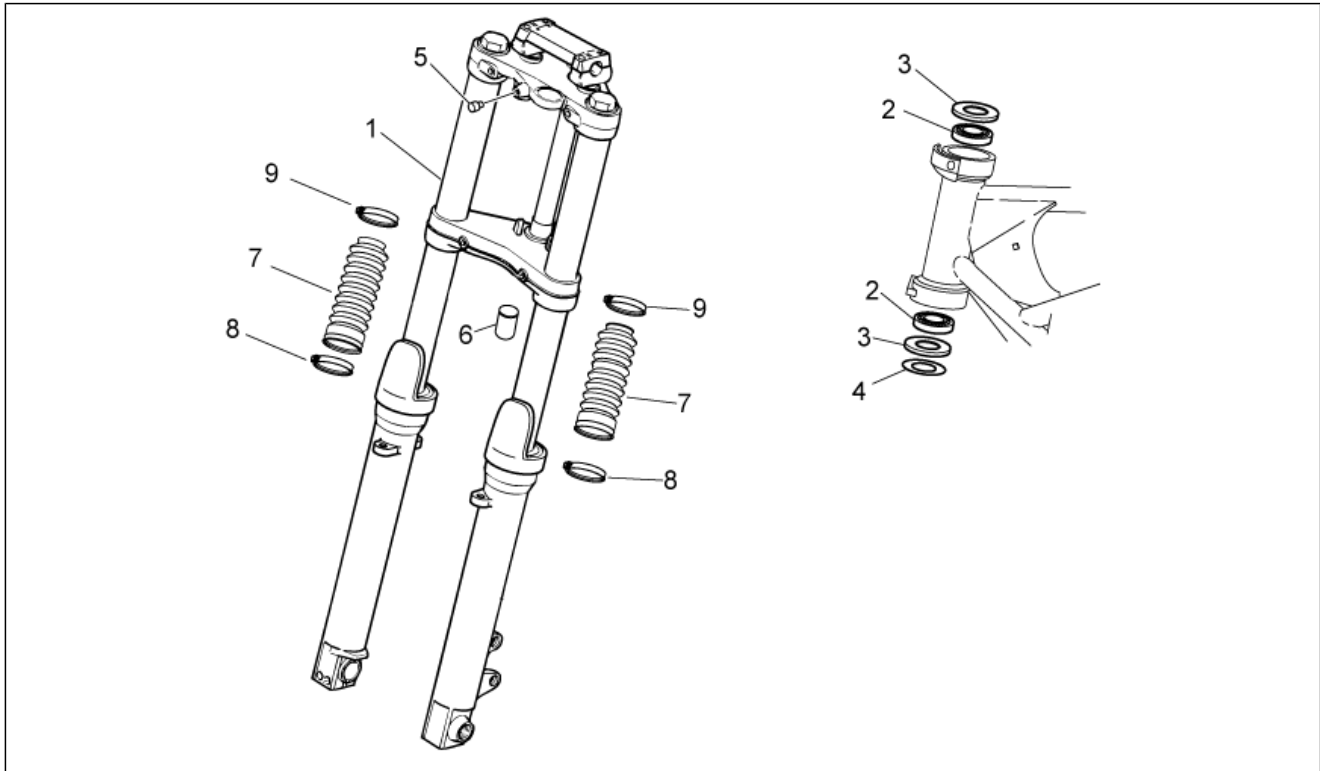
Pos.	Code	Description	Qty	Variants
1	GU32442310	Rear footrest, RH	1	
2	GU32443210	Support rubber part	1	
3	GU32441210	Plate	2	
4	CM228401	Footrest pin	2	
5	AP8134451	Footrest plate	4	
6	AP8121133	Coil compress. spring	2	
7	AP8101861	Ball D6,35	2	
8	AP8152277	Screw w/ flange M6x12	4	
9	AP8120573	Stop ring	2	
10	GU32442710	Rear footrest, LH	1	
11	GU32443211	Support rubber part	1	
12	2B000349	LH passenger footpeg support with I.P.	1	
13	2B000348	RH passenger footpeg support with I.P.	1	
14	GU98682416	Hex socket screw M8x16	4	
15	GU14615901	Washer 8,4X13X0,8	4	

<b>Group</b>	FRAME
<b>Code</b>	33.06
<b>Description</b>	Gear lever
<b>Service</b>	1



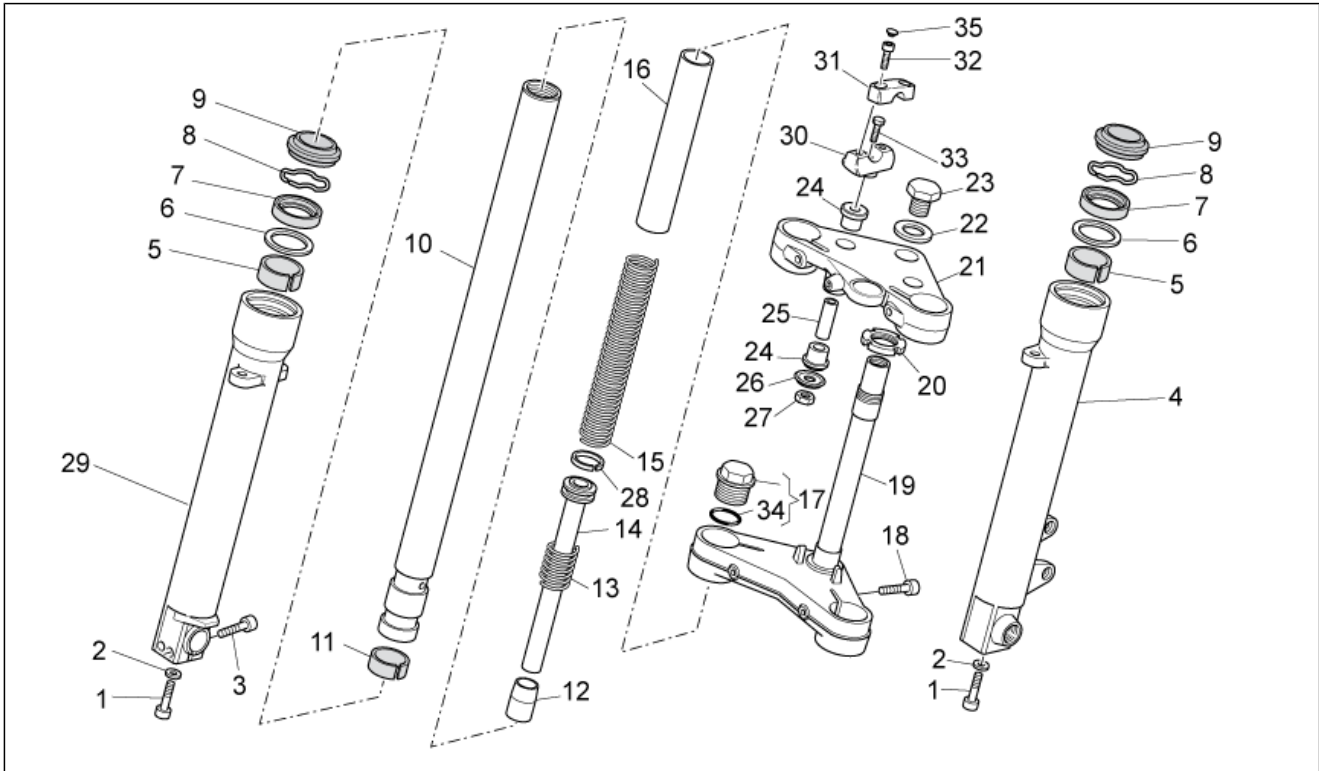
Pos.	Code	Description	Qty	Variants
1	2B001096	Gear lever	1	
2	AP8120912	Lever rubber	1	
3	GU95129260	Spring washer	2	
4	898283	Gear change lever	1	
5	GU92630707	Nut	2	
6	GU98632322	screw	2	
7	GU03013800	Washer 6,4x12	3	
8	2B001941	Gear control tie rod	1	
9	GU20258221	Shift lever	1	

<b>Group</b>	FRAME
<b>Code</b>	33.07
<b>Description</b>	Front fork I
<b>Service</b>	1



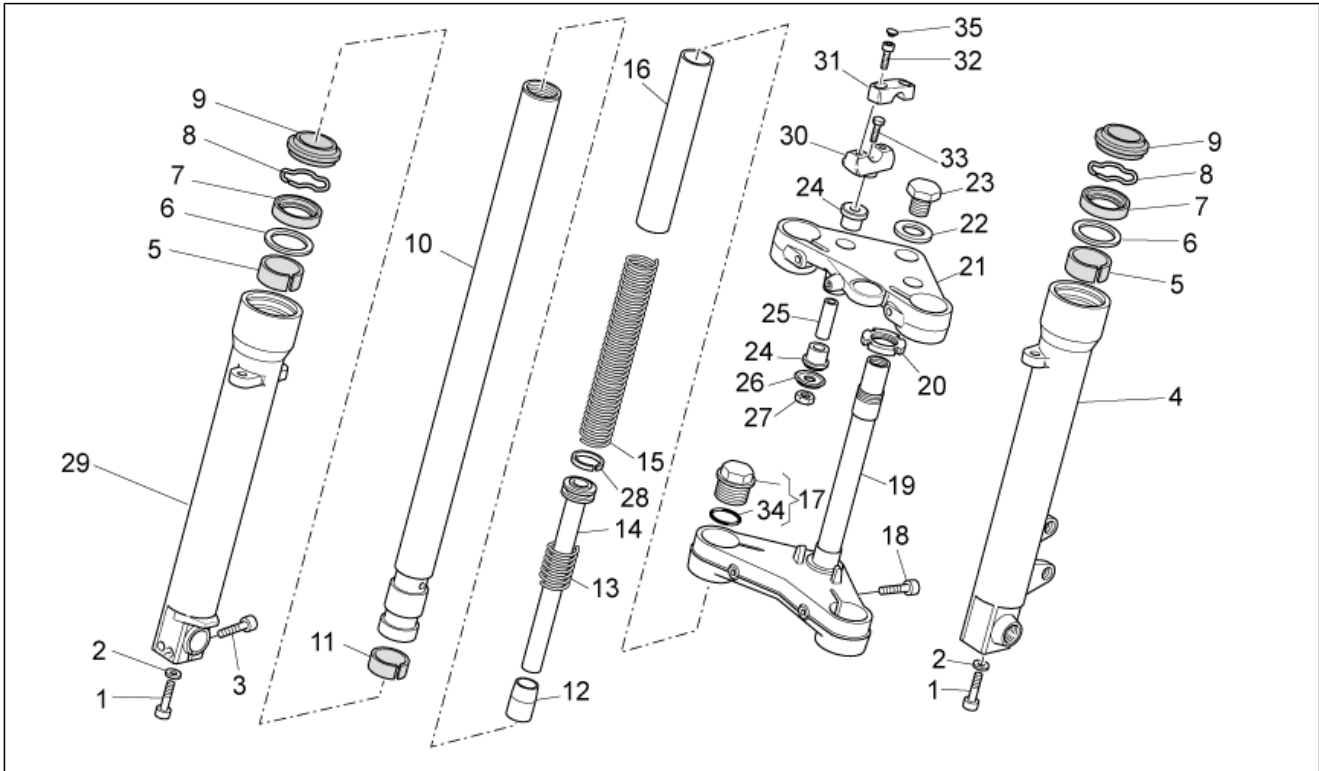
Pos.	Code	Description	Qty	Variants
1	2B001425	Front fork	1	
2	GU92249225	Tap.roller bearing	2	
3	AP8144146	Gasket ring	1	
4	AP8121307	Washer	1	
5	AP8144081	Rubber spacer	1	
6	AP8220460	Rubber cup	1	
7	898086	Anti-dust tube	2	
8	CM001928	Hose clamp 44	2	
9	CM001929	Hose clamp 63.5	2	

<b>Group</b>	FRAME
<b>Code</b>	33.08
<b>Description</b>	Fron fork II
<b>Service</b>	1



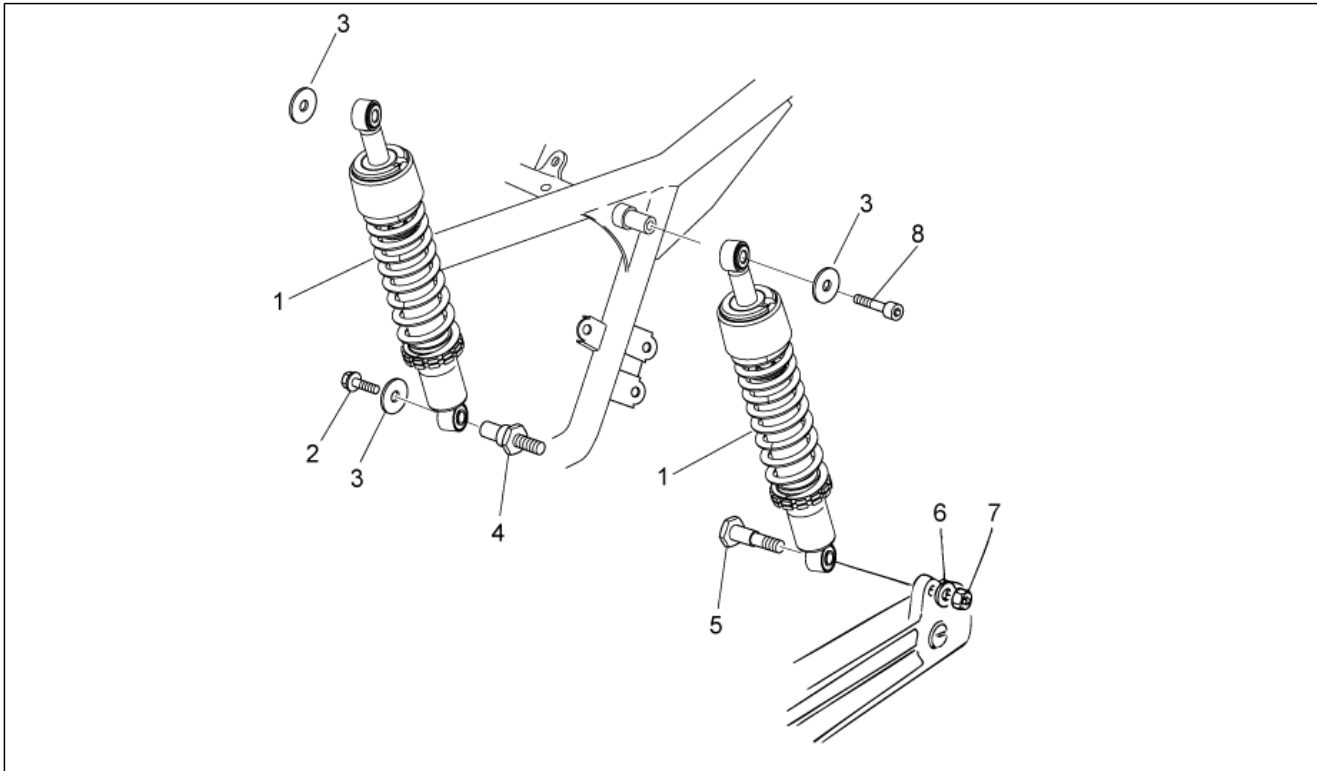
Pos.	Code	Description	Qty	Variants
1	887878	screw M10x30	2	
2	887879	Washer	2	
3	887880	screw	2	
4	2R000110	LH sleeve	1	
5	887882	Upper bush	2	
6	887883	Washer	2	
7	887884	Gasket ring	2	
8	887885	Stop ring	2	
9	887886	Dust cover	2	
10	2B001591	Sleeve	2	
11	887888	Bush	2	
12	887889	Pad	2	
13	887890	Return spring	2	
14	887891	Plunger, complete	2	
15	2R000243	Spring	2	
16	887893	pipe	2	
17	887894	Plug cpl.	2	
18	887895	screw	2	
19	887896	Stem base	1	
20	GU31513480	Ring nut M25X1	1	
21	887898	Upper plate	1	
22	887899	Washer	1	
23	887900	Nut	1	
24	887901	Rubber spacer	4	
25	887902	Spacer	2	
26	887903	Cup	2	
27	887904	Nut	2	
28	887905	Ring	2	

<b>Group</b>	FRAME
<b>Code</b>	33.08
<b>Description</b>	Fron fork II
<b>Service</b>	1



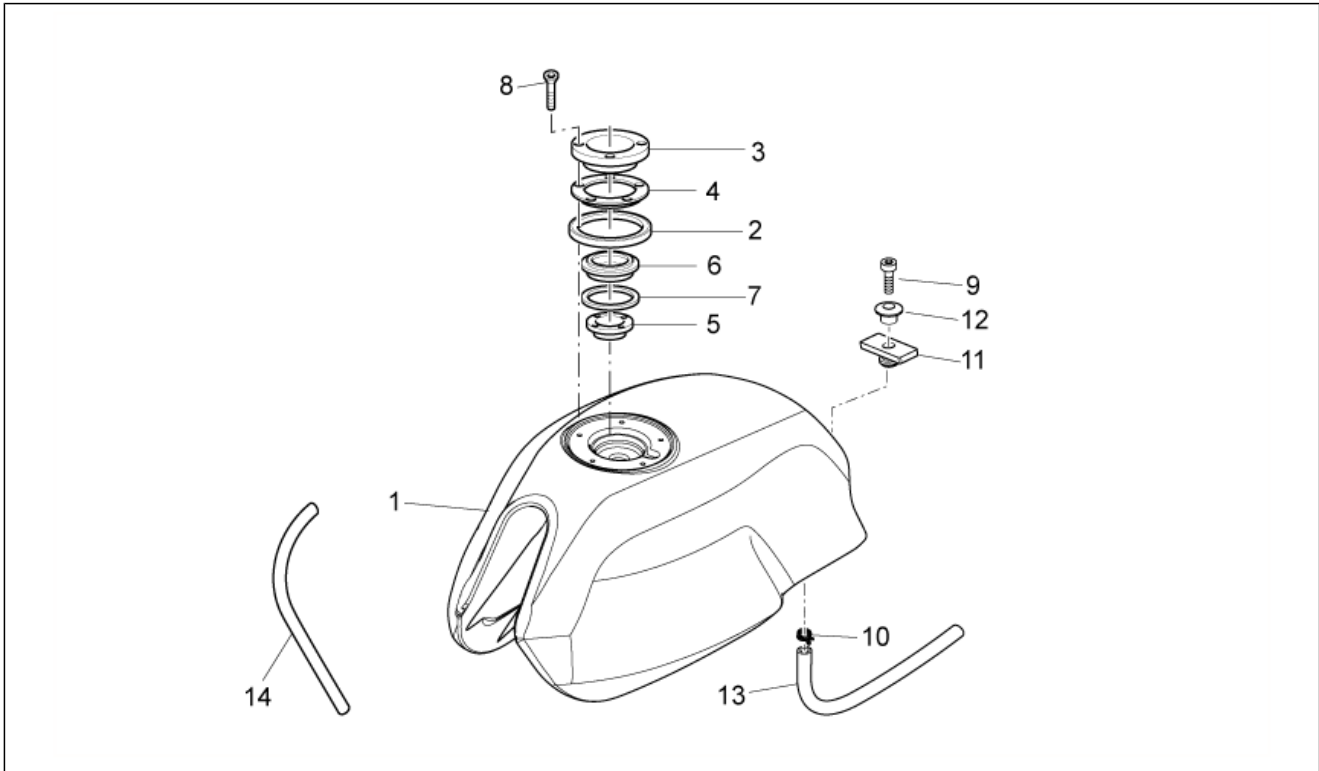
Pos.	Code	Description	Qty	Variants
29	2R000109	RH sleeve	1	
30	887912	Lower U-bolt	2	
31	887913	Upper U-bolt	2	
32	887914	screw M8x30	4	
33	887915	screw M10x60	2	
34	887916	O-ring 4118	2	
35	GU23943410	Plug	4	

<b>Group</b>	FRAME
<b>Code</b>	33.11
<b>Description</b>	Rear shock absorber
<b>Service</b>	1



Pos.	Code	Description	Qty	Variants
1	884035	Rear shock absorber	2	
1	B063749	Rear shock absorber	2	<b>Technical Specifications:</b> Olle Amortidors SL[O]
2	AP8152278	Screw w/ flange M6x16	1	
3	898164	Shock abs. spacer	3	
4	GU32555210	Pin	1	
5	GU32555211	Pin	1	
6	GU95129181	Washer	1	
7	GU92606210	Nut M10x1,5	1	
8	2B002195	Vite TCEI IX M6X35 preimpregnata	2	

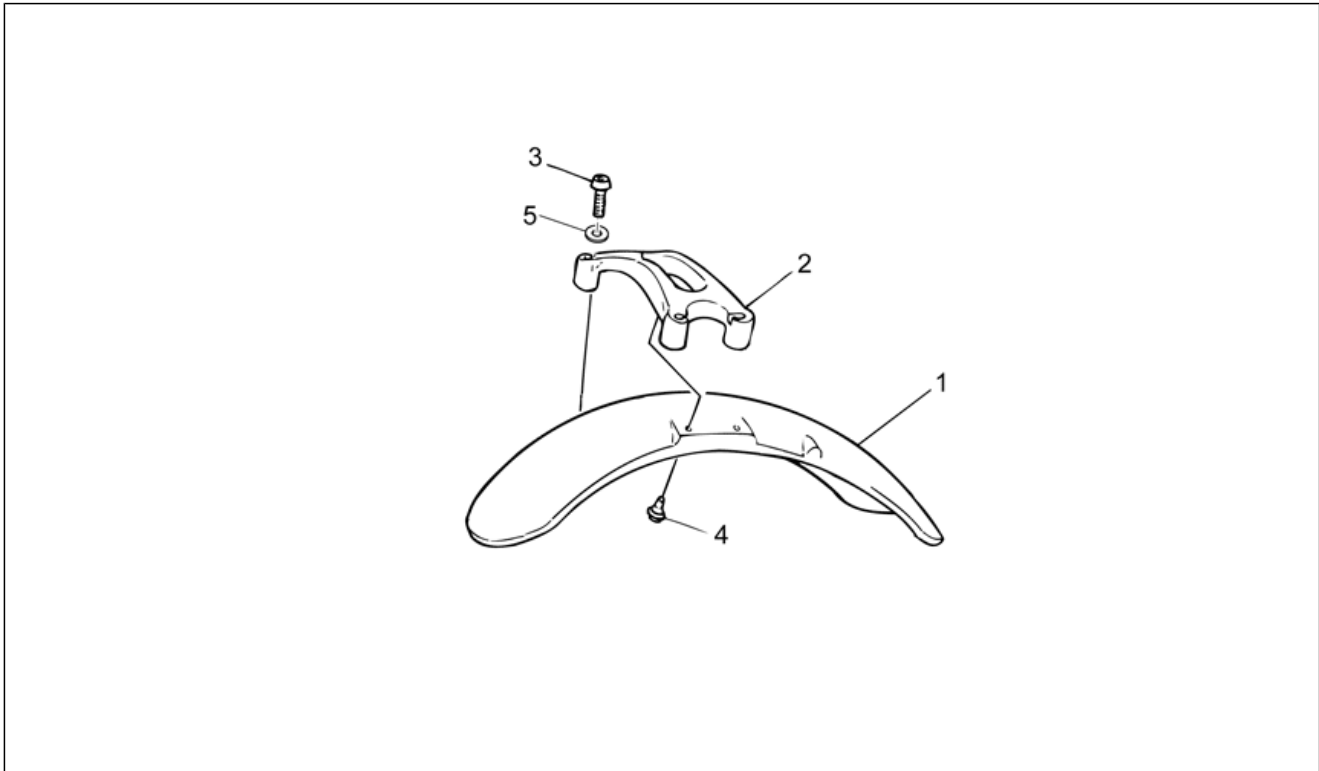
<b>Group</b>	FRAME
<b>Code</b>	33.12
<b>Description</b>	Fuel tank
<b>Service</b>	1



Pos.	Code	Description	Qty	Variants
1	2H000415000XN6	Fuel tank, black	1	Vehicle colour:Diablo Black[ND] Technical Specifications:Decal[D]
1	2H000415000YE6	Fuel tank, grey	1	Vehicle colour:York Grey[GY] Technical Specifications:Decal[D]
1	2H000415000YG4	Fuel tank, yellow	1	Vehicle colour:Melon Yellow[GM] Technical Specifications:Decal[D]
1	2H000415000YR2	Fuel tank, red	1	Vehicle colour:Ibis Red[RI] Technical Specifications:Decal[D]
1	887944	Fuel tank blank metal	1	Vehicle colour:Blank[GR]
2	GU03102400	Gasket	1	
3	GU03101900	Flange	1	
4	GU03103500	Ring	1	
5	883502	Reduction 24 mm	1	
6	GU03102200	Plug ring nut	1	
7	GU03101600	Gasket	2	
8	GU03103200	screw	5	
9	GU98682430	Hex socket screw M8x30	1	
10	AP8101595	Hose clamp D10,1	1	
11	AP8120557	Tank rubber	1	
12	AP8121673	T bush *	1	
13	GU00823944050	pipe 5X9	1	
14	2B000909	Gasket	1	

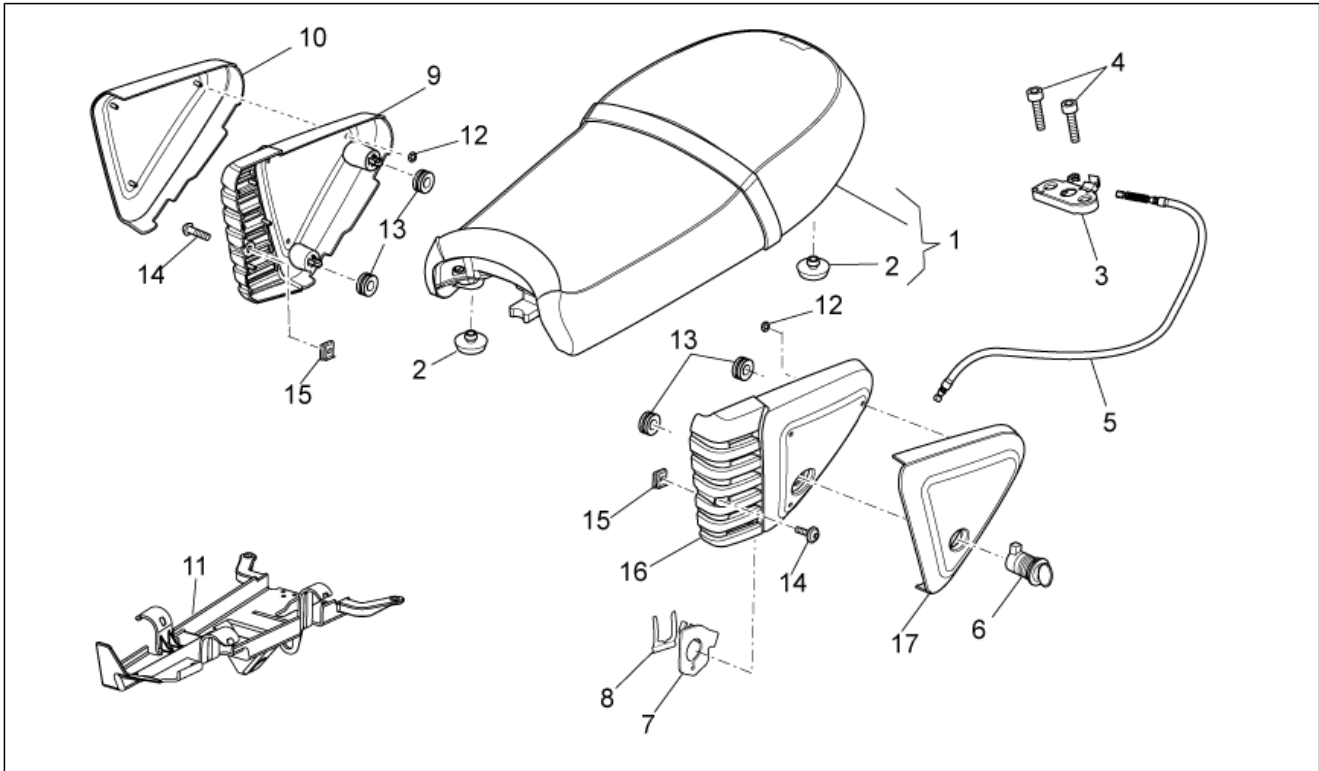


<b>Group</b>	FRAME
<b>Code</b>	33.13
<b>Description</b>	Front body - Front mudguard
<b>Service</b>	1



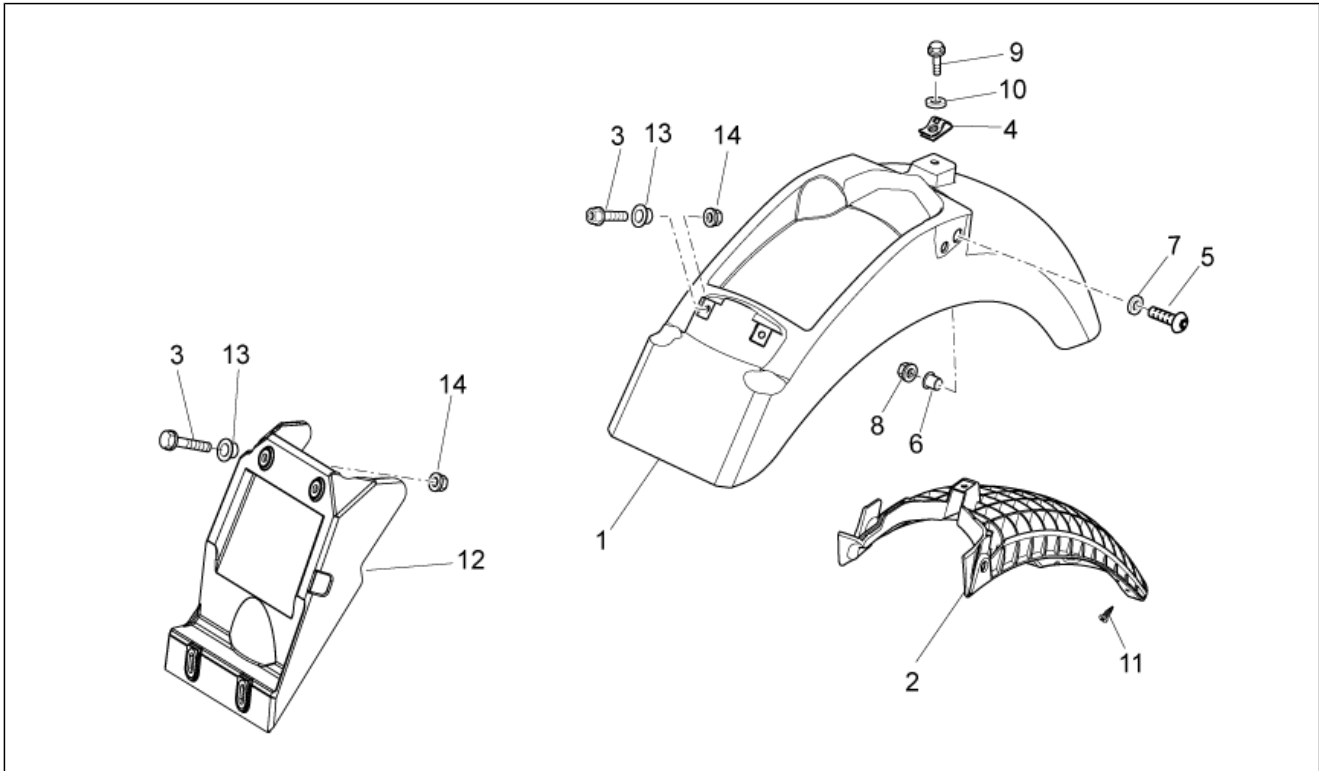
Pos.	Code	Description	Qty	Variants
1	88635200XN6	Front mudguard, black	1	
1	GU32434460	Front mudguard blank	1	Vehicle colour:Blank[GR]
2	883266	Stabilization plate	1	
3	GU98370845	Hex socket screw	4	
4	GU31439565	Special screw	4	
5	GU14615901	Washer 8,4X13X0,8	4	

<b>Group</b>	FRAME
<b>Code</b>	33.14
<b>Description</b>	Saddle-Central bod
<b>Service</b>	1



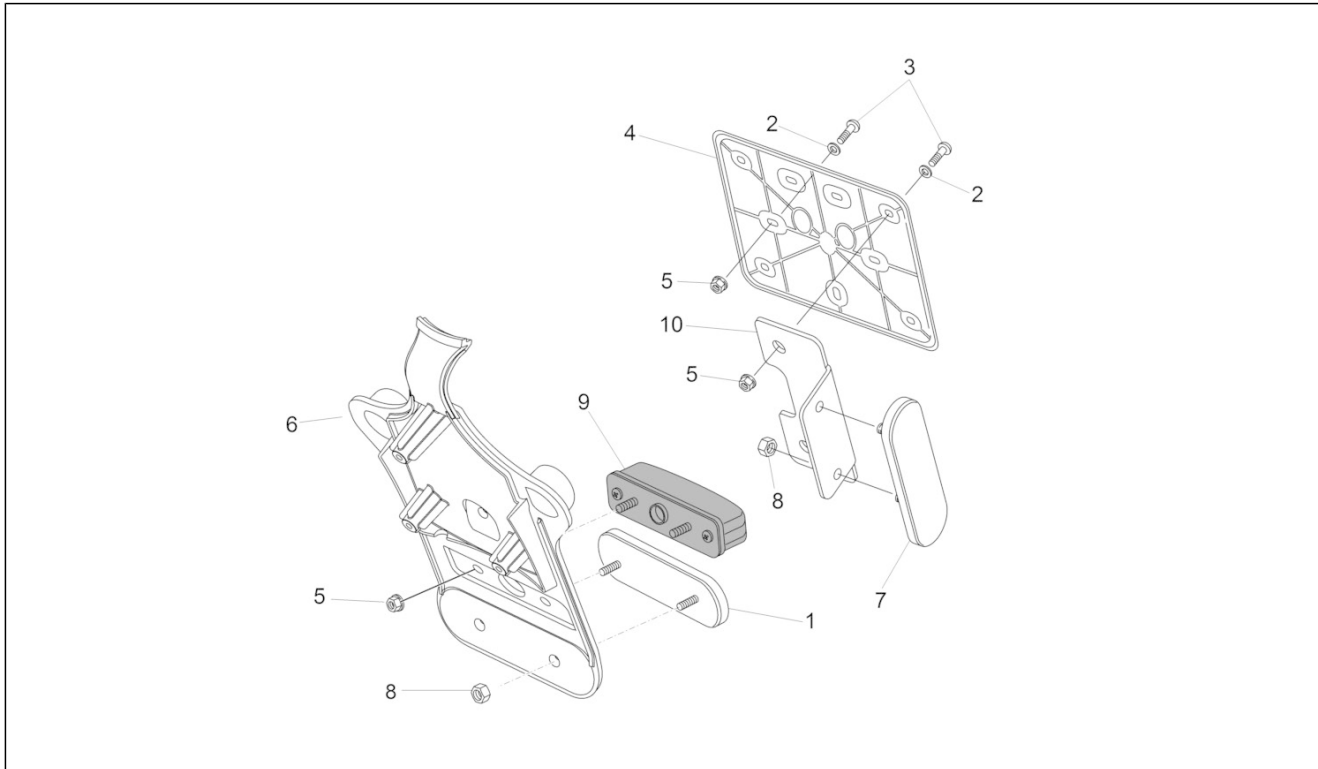
Pos.	Code	Description	Qty	Variants
1	2B000880	Two-seat saddle	1	
2	GU32461610	Rubber spacer	8	
3	AP8102913	Pass.saddle connecting plate	1	
4	GU98370625	Hex socket screw	2	
5	883295	Saddle release cable	1	
6	977527	Locking complete with keys	1	
7	AP8121420	Fork spring	1	
8	978415	Cable fixing plate	1	
9	2B000878	RH side panel	1	
10	2H000722000XN6	RH side panel, black	1	Technical Specifications:Decal[D]
10	978940	RH side panel, blank	1	Vehicle colour:Blank[GR]
11	B063431	Protection	1	
12	2B002549	***LOCK WASHER	1	
13	GU91551086	Rubber spacer	4	
14	AP8152339	Screw w/ flange M5x9	2	
15	AP8102375	Clip m5	2	
16	2B000840	LH side panel	1	
17	2H000723000XN6	LH side panel, black	1	Technical Specifications:Decal[D]
17	978943	LH side panel, blank	1	Vehicle colour:Blank[GR]

<b>Group</b>	FRAME
<b>Code</b>	33.15
<b>Description</b>	Rear body I- Mudguard
<b>Service</b>	1



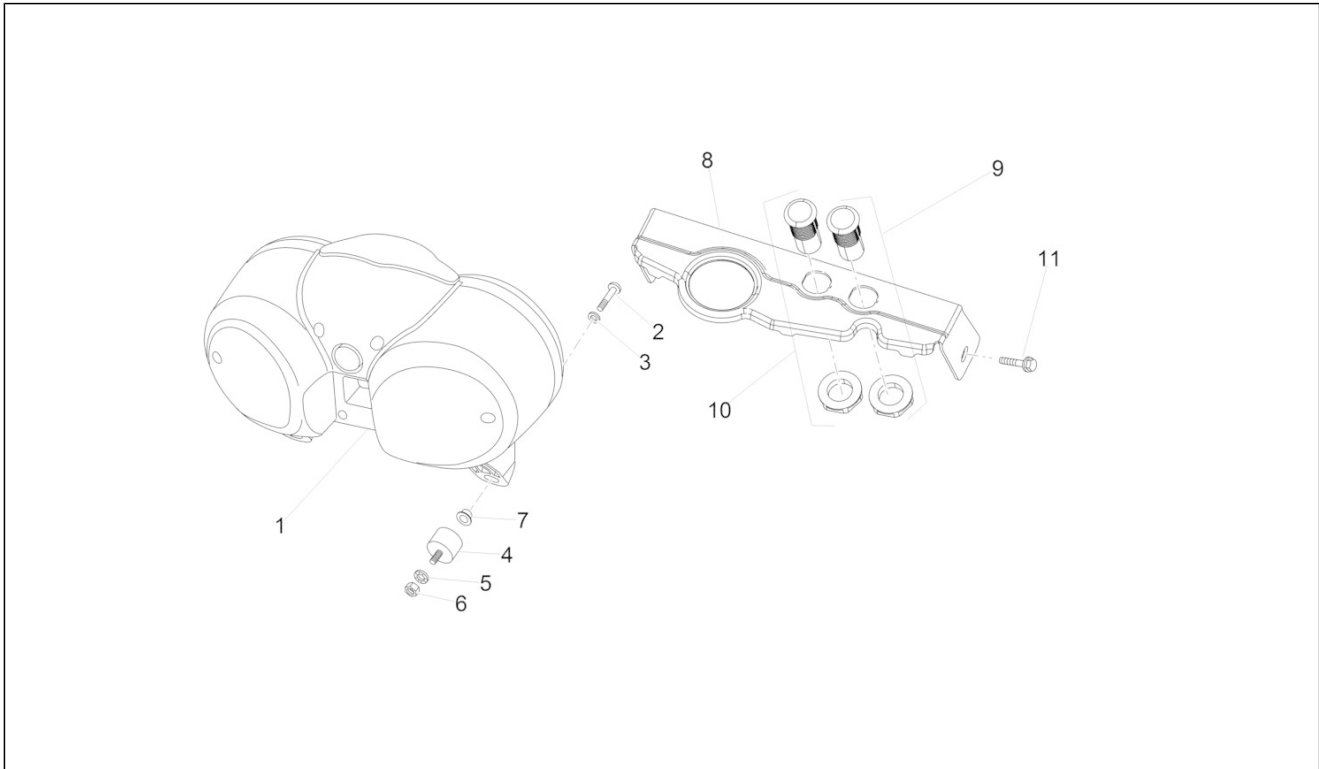
Pos.	Code	Description	Qty	Variants
1	978946	Rear mudguard blank	1	
1	97894600XN6	Rear mudguard, black	1	Vehicle colour:Diablo Black[ND]
2	978947	Support	1	
3	AP8152278	Screw w/ flange M6x16	4	
4	254485	Spring plate M6	1	
5	GU98690435	Hex socket screw M8x35	2	
6	GU91120806	Spacer	2	
7	GU95005310	Washer 8,4x18x2	2	
8	GU92630108	Nut	2	
9	AP8152279	Screw w/ flange M6x20	2	
10	AP8121032	Bush	2	
11	AP8152329	Phillips screw, SWP M5x20	3	
12	2B001783	Rear splash guard	1	
13	AP8121032	Bush	6	
14	AP8152299	Self-locking nut M6	6	

<b>Group</b>	FRAME
<b>Code</b>	33.16
<b>Description</b>	Rear body II- Plate holder
<b>Service</b>	1



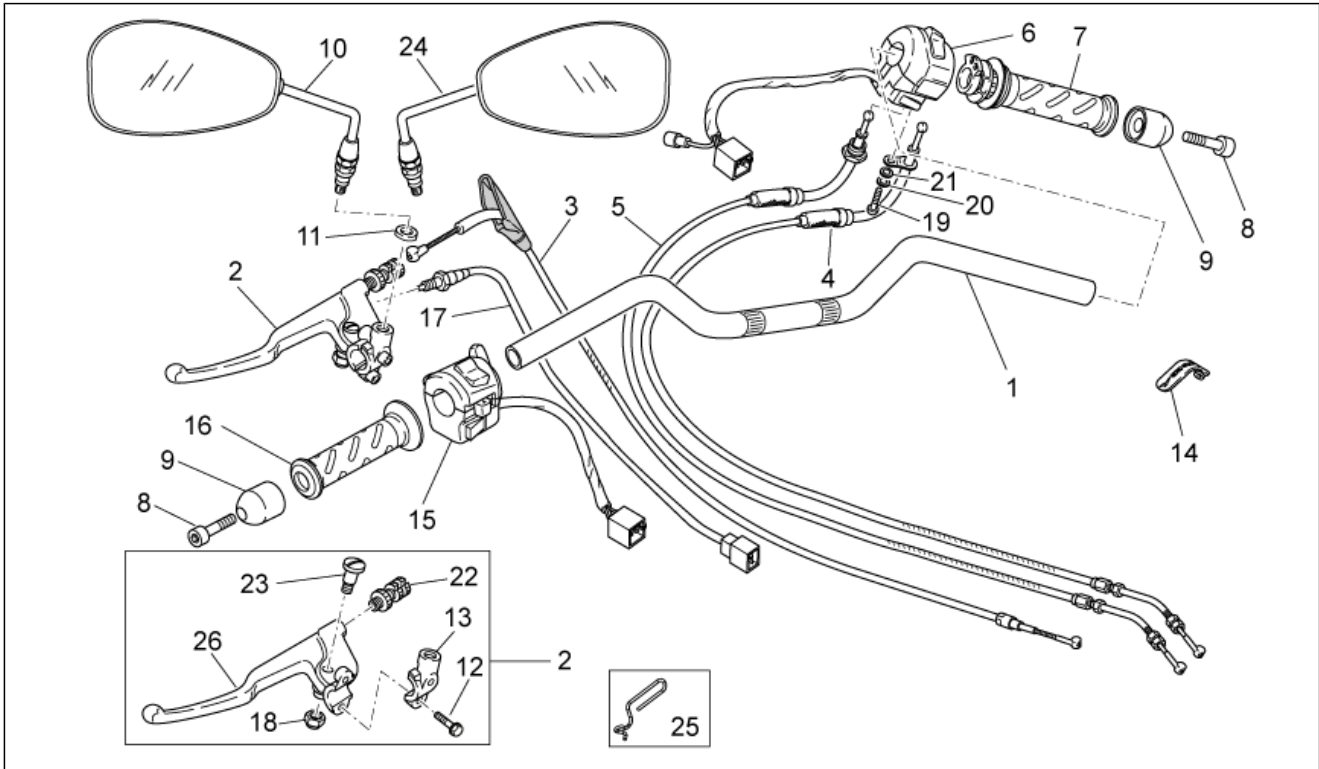
Pos.	Code	Description	Qty	Variants
1	GU05781630	Reflector, amber	1	
2	AP8150248	Washer 5,5x15x1,6	7	
3	AP8152268	Hex socket screw M5x16	7	
4	AP8149034	Number plate support	1	
5	AP8152306	Self-locking nut m5	1	
6	883470	Number plate holder	1	
7	AP8124718	Rear reflector, red	2	
8	GU92630204	Nut	6	
9	883480	Number-plate light	1	
10	GU32781910	Reflector support	2	

<b>Group</b>	FRAME
<b>Code</b>	33.17
<b>Description</b>	Dashboard
<b>Service</b>	1



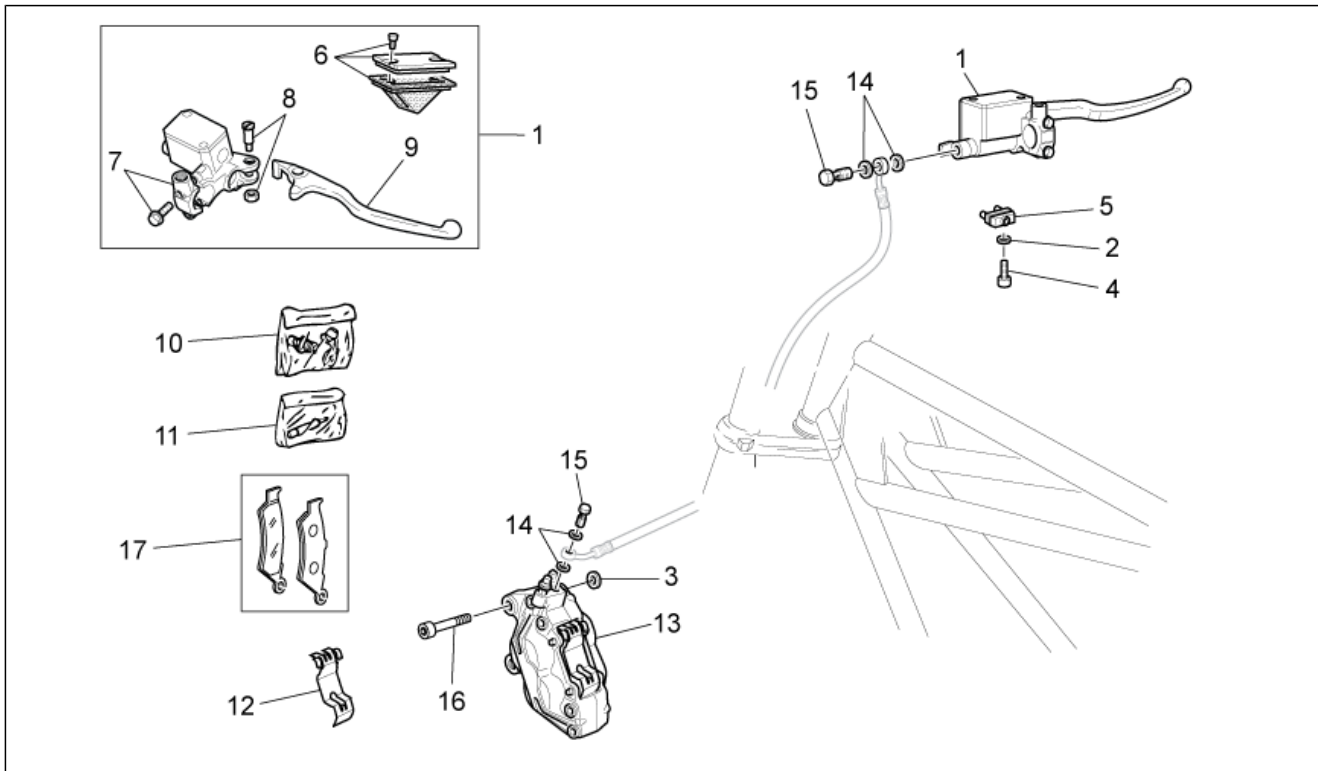
Pos.	Code	Description	Qty	Variants
1	887195	Dashboard complete MPH	1	
2	GU98370609	Hex socket screw M6x10	3	
3	GU95005306	Washer 6,4x13x1,5	3	
4	GU93222023	Silent-block	3	
5	GU95021206	Washer	3	
6	GU92606206	Nut	3	
7	AP8121032	Bush	3	
8	2B001101	Instrument frame	1	
9	2D000022	Tell tale lamp MGCT	1	
10	2D000021	Tell tale lamp ABS	1	
11	GU98692414	screw M8x14	2	

<b>Group</b>	FRAME
<b>Code</b>	33.18
<b>Description</b>	Handlebar - Controls
<b>Service</b>	1



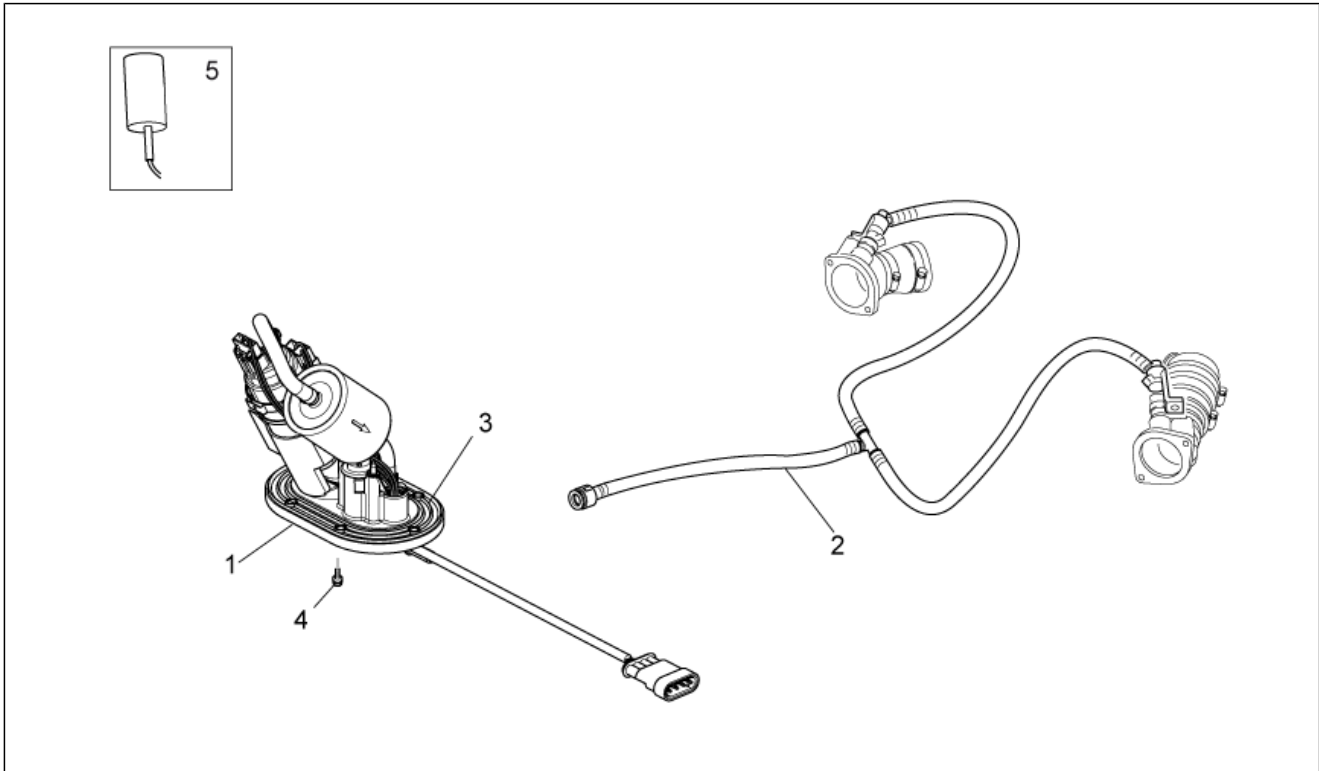
Pos.	Code	Description	Qty	Variants
1	2B000671	Handlebar	1	
2	2B001300	Clutch lever cpl.	1	
3	2B001202	Clutch cable	1	
4	887852	Gas trasmission delivery	1	
5	887853	Gas trasmission return	1	
6	B063135	RH lights selector	1	
7	GU32603310	RH hand grip	1	
8	GU98690335	Hex socket screw	2	
9	AP8104509	Anti.v weight, black	2	
10	2B001048	RH rearview mirror	2	
11	GU91181003	Spacer 10,25X20X4	2	
12	GU97202325	Black screw w/ flange M6x25	2	
13	GU30601060	Clump	1	
14	GU01609630	Hose clamp L46 mm	2	
14	GU03609600	Hose clamp L36 mm	1	
15	B063975	LH lights selector	1	
16	GU32603010	LH hand grip	1	
17	GU29759150	Lateral stand switch	1	
18	AP8213388	Self-locking nut	1	
19	GU98230510	Hex socket screw	1	
20	GU95008305	Washer 5,3X10X1	1	
21	GU95021105	Notched washer	1	
22	GU30602500	Register	1	
23	AP8213028	screw	1	
24	2B001049	LH rearview mirror	1	
25	2B001138	Fairlead	1	
26	2B001998	Clutch control lever	1	

<b>Group</b>	FRAME
<b>Code</b>	33.19
<b>Description</b>	Front brake system
<b>Service</b>	1



Pos.	Code	Description	Qty	Variants
1	2B001199	Front master cilinder	1	
2	GU95021104	Washer 4,3x8x1,5	1	
3	GU91181003	Spacer 10,25X20X4	2	
4	AP8152043	Hex socket screw M4x10	1	
5	GU03749845	Stop switch	1	
6	2B001928	Pump cover	1	
7	2B001929	Bracket	1	
8	2B001927	Lever pin cpl.	1	
9	2B001926	Brake lever	1	
10	GU05659230	Bleeder+cap	1	
11	GU01659130	Pins+Caliper springs	1	
12	GU01659131	Spring	1	
13	2B001197	Front disk brake caliper l.h.	1	
14	AP8113004	Washer 10x14x1,6*	4	
15	AP8113003	Oil pipe screw	2	
16	AP8152385	Hex socket screw M10x1,25	2	
17	883673	Pads pair	1	

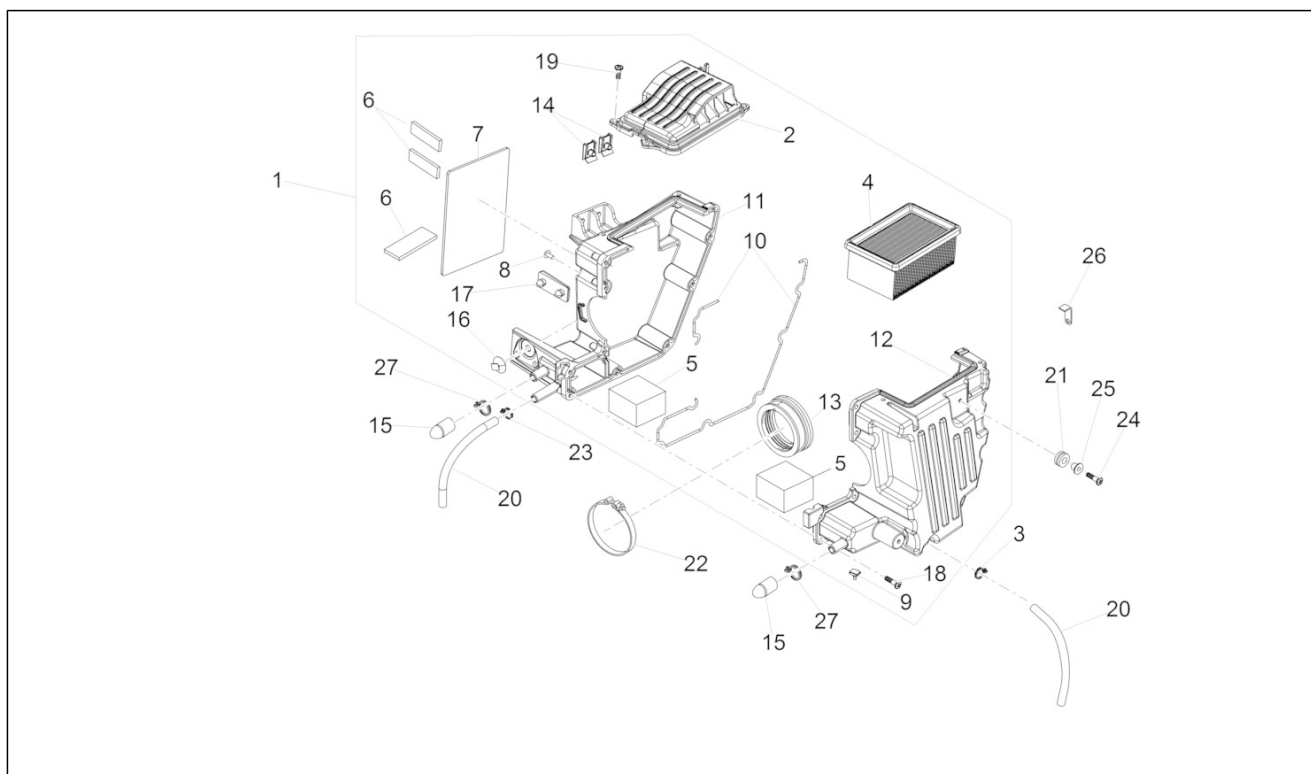
<b>Group</b>	FRAME
<b>Code</b>	33.21
<b>Description</b>	Fuel pump
<b>Service</b>	1



Pos.	Code	Description	Qty	Variants
1	B063752	Fuel pump	1	
2	2B001342	Fuel pipe	1	
3	GU05107430	Gasket	1	
4	AP8152273	Screw w/ flange M5x15	6	
5	887787	Fuel level sensor	1	

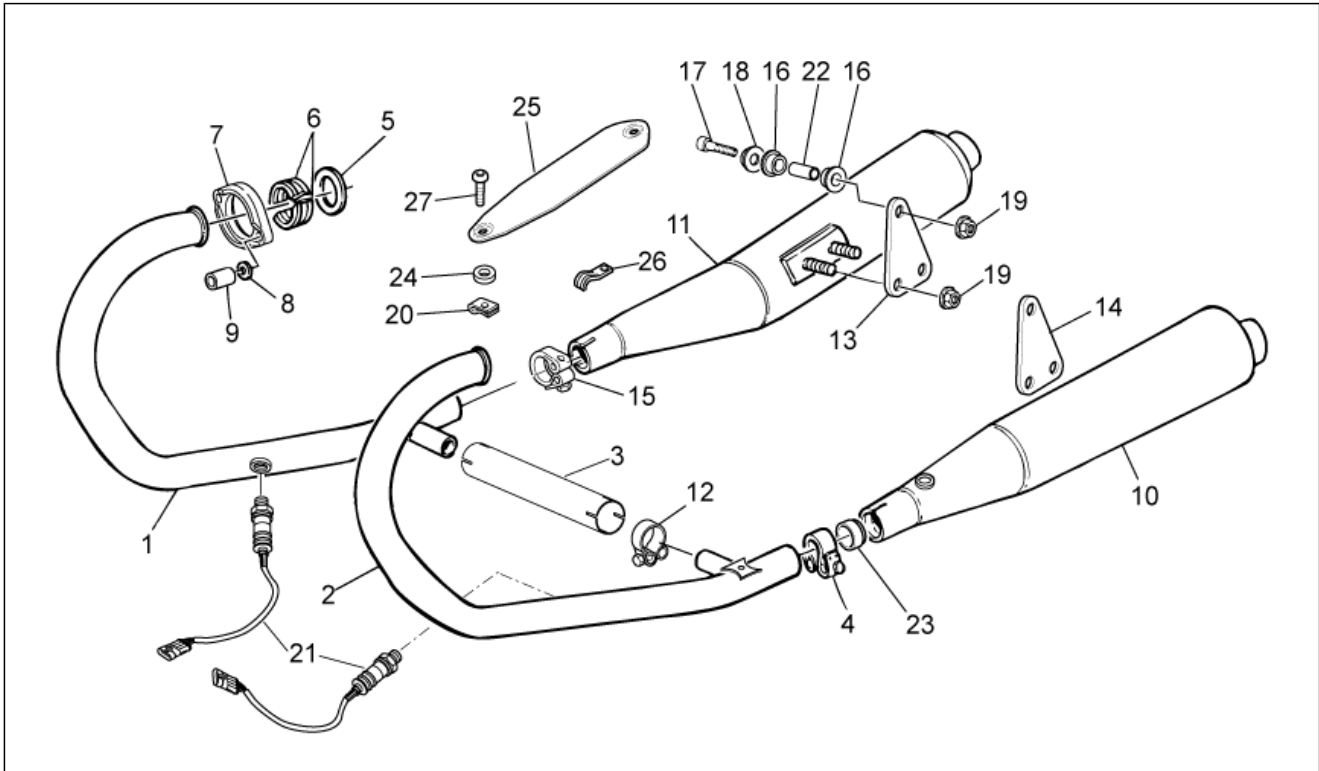


<b>Group</b>	FRAME
<b>Code</b>	33.22
<b>Description</b>	Air box
<b>Service</b>	1



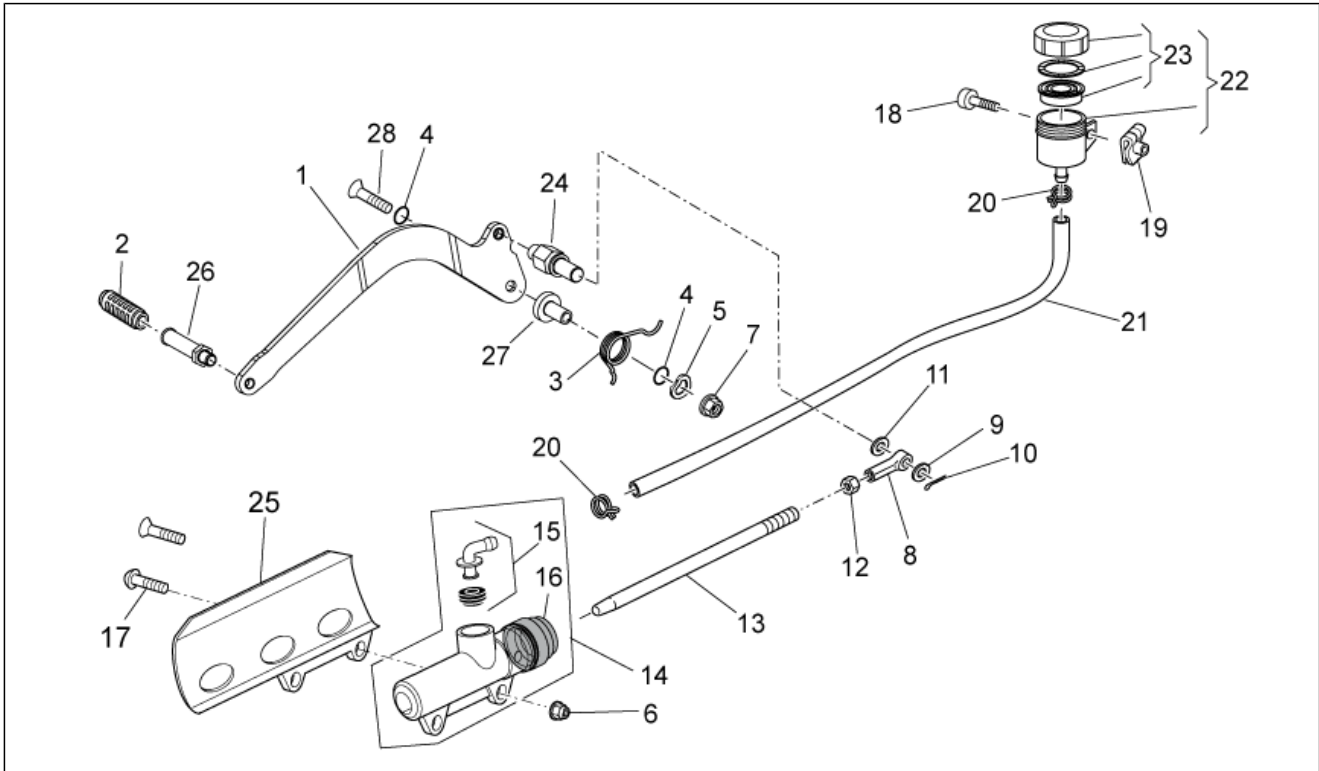
Pos.	Code	Description	Qty	Variants
1	8878421	Complete filter box	1	
2	887843	Air filter cover	1	
3	AP8201358	Hose clamp D 11,9	1	
4	AP8104924	Air filter	1	
5	AP8104525	Filter blow-by	2	
6	883127	Support rubber part 5 mm	1	
7	AP8144553	Support rubber part	1	
8	AP8120876	Plug	2	
9	AP8120455	Rubber spacer	1	
10	AP8120615	Gasket D3	2	
11	887844	Filter box right shell	1	
12	887845	Filter box left shell	1	
13	887815	Intake hose	1	
14	254485	Spring plate M6	2	
15	AP8161054	Cap	2	
16	890760	Instrument support	1	
17	AP8144729	Stand end stop	1	
18	AP8152329	Phillips screw, SWP M5x20	9	
19	AP8150509	Self-tap screw 5x14	4	
20	AP8120772	Breather pipe	1	
21	GU91551010	Rubber 10X20X10	2	
22	CM258303	Hose clamp 63	1	
23	AP8102766	Hose clamp	3	
24	AP8152329	Phillips screw, SWP M5x20	2	
25	AP8221023	T bush	2	
26	GU31112965	Square	1	
27	AP8102520	Hose clamp	2	

<b>Group</b>	FRAME
<b>Code</b>	33.23
<b>Description</b>	Exhaust unit
<b>Service</b>	1



Pos.	Code	Description	Qty	Variants
1	2B000995	RH exhaust manifold	1	
2	2B000996	LH exhaust manifold	1	
3	B063022	Exhaust manifold union	1	
4	883294	LH silencer clamp	1	
5	GU19025280	Gasket	2	
6	GU19025460	Spacer	4	
7	GU32121010	Ring nut	2	
8	GU03013800	Washer 6,4x12	4	
9	GU31121880	Nut	4	
10	2B002070	LH silencer	1	
11	2B002069	RH silencer	1	
12	978385	Hose clamp	2	
13	883297	RH plate	1	
14	883298	LH plate	1	
15	883293	RH silencer clamp	1	
16	AP8144071	Rubber exhaust	4	
17	GU98690440	screw M8x40	2	
18	AP8134378	Silencer fixing bush	2	
19	GU92640508	Nut M8	6	
20	254485	Spring plate M6	2	
21	896110	Lambda sensor l.660 mm	2	
22	AP8121072	Spacer	2	
23	GU91113826	Bushing	2	
24	AP8120870	Insulating washer	4	
25	883704	Exhaust pipe heat prot.	2	
26	GU93301175	U-bolt	1	
27	GU98210612	Screw w/ flange M6x12	4	

<b>Group</b>	FRAME
<b>Code</b>	33.26
<b>Description</b>	Rear master cylinder
<b>Service</b>	1



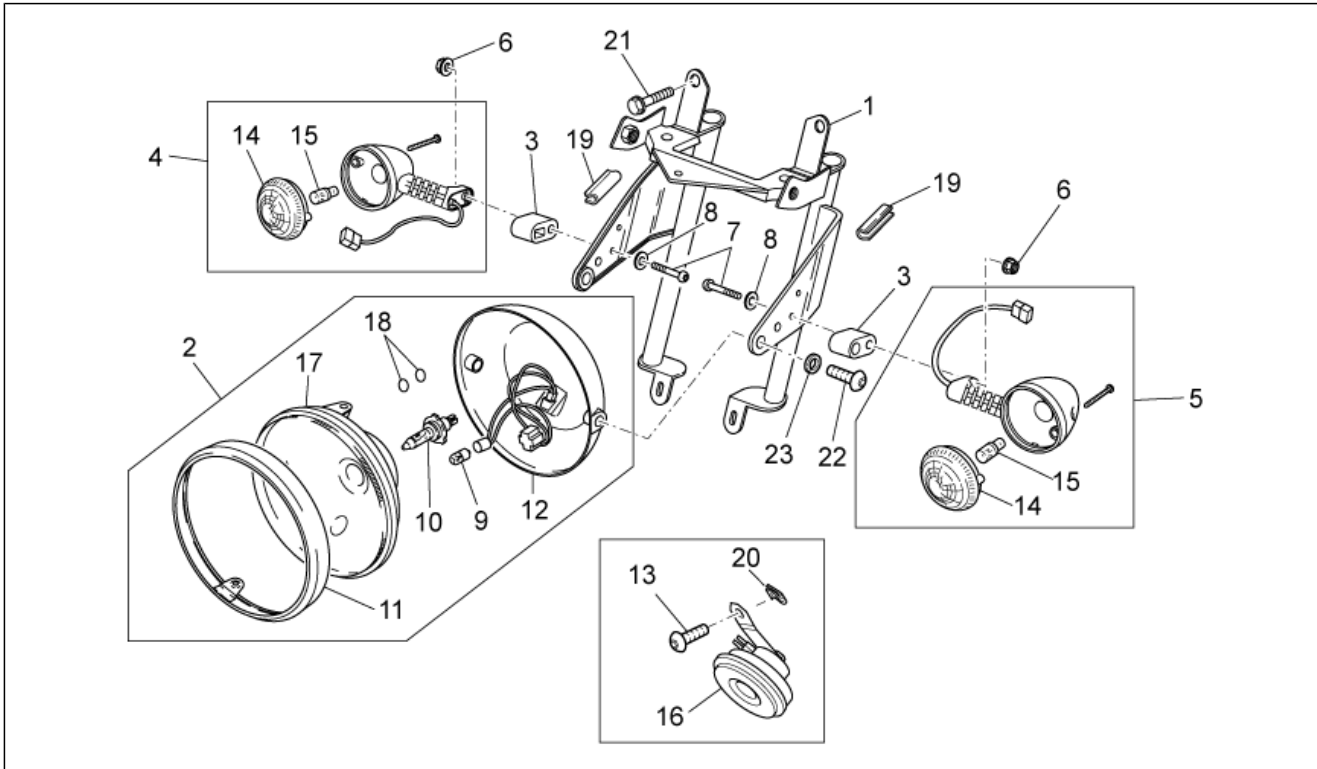
Pos.	Code	Description	Qty	Variants
1	887910	Brake lever	1	
2	AP8120912	Lever rubber	1	
3	978969	Spring	1	
4	AP8144007	O-ring 11,11x1,78	2	
5	GU95005310	Washer 8,4x18x2	1	
6	GU92630206	Nut M6x1	2	
7	GU92660021	Flanged nut M8	1	
8	GU18257551	Block	1	
9	GU95005308	Washer 8,4x14,57x1,6	1	
10	GU95500221	Split pin	1	
11	658837	Crinkle washer D15 F8,4 S1,5 - INOX	1	
12	GU92609007	Nut	1	
13	2B001597	Master cylinder rod	1	
14	2B000508	Rear master cylinder	1	
15	AP8213057	Rear brake pump union	1	
16	AP8113288	Rubber bellows	1	
17	GU98370625	Hex socket screw	2	
18	AP8152298	Screw w/ flange M5x16	1	
19	248419	Spring plate m5	1	
20	AP8101594	Hose clamp D10,1*	2	
21	GU00823950050	Oil pipe	1	
22	AP8113241	Brake oil tank complete	1	
23	AP8113553	Tank cap	1	
24	887911	Brake lever pin	1	
25	GU01665410	Brake m.cyl.protection, black	1	
26	887908	Rubber pedal	1	
27	887952	Rear brake lever bush	1	
28	B063443	Screw M8x50	1	

<b>Group</b>	FRAME
<b>Code</b>	33.27
<b>Description</b>	Rear brake caliper
<b>Service</b>	1



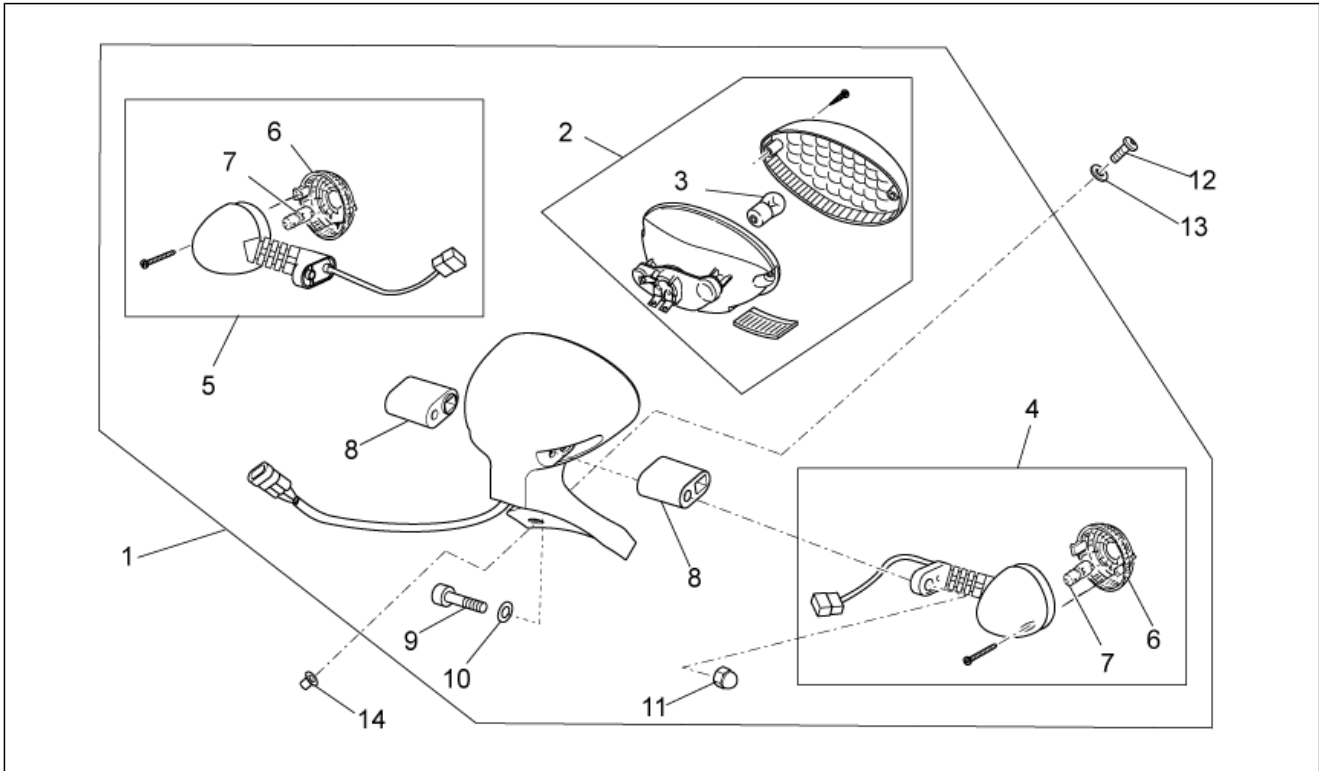
Pos.	Code	Description	Qty	Variants
1	2B000229	Brake caliper support plate	1	
2	GU31634281	Bushing	1	
3	GU31544181	Pin	1	
4	AP8152288	Screw w/ flange	1	
5	GU32634160	Spacer	4	
6	2B000525	Rear brake caliper	1	
7	2R000248	Brake pads torque	1	
8	GU31659281	Bleeder+cap	1	
9	GU31659181	Pins+spring kit	1	

<b>Group</b>	FRAME
<b>Code</b>	33.28
<b>Description</b>	Front lights
<b>Service</b>	1



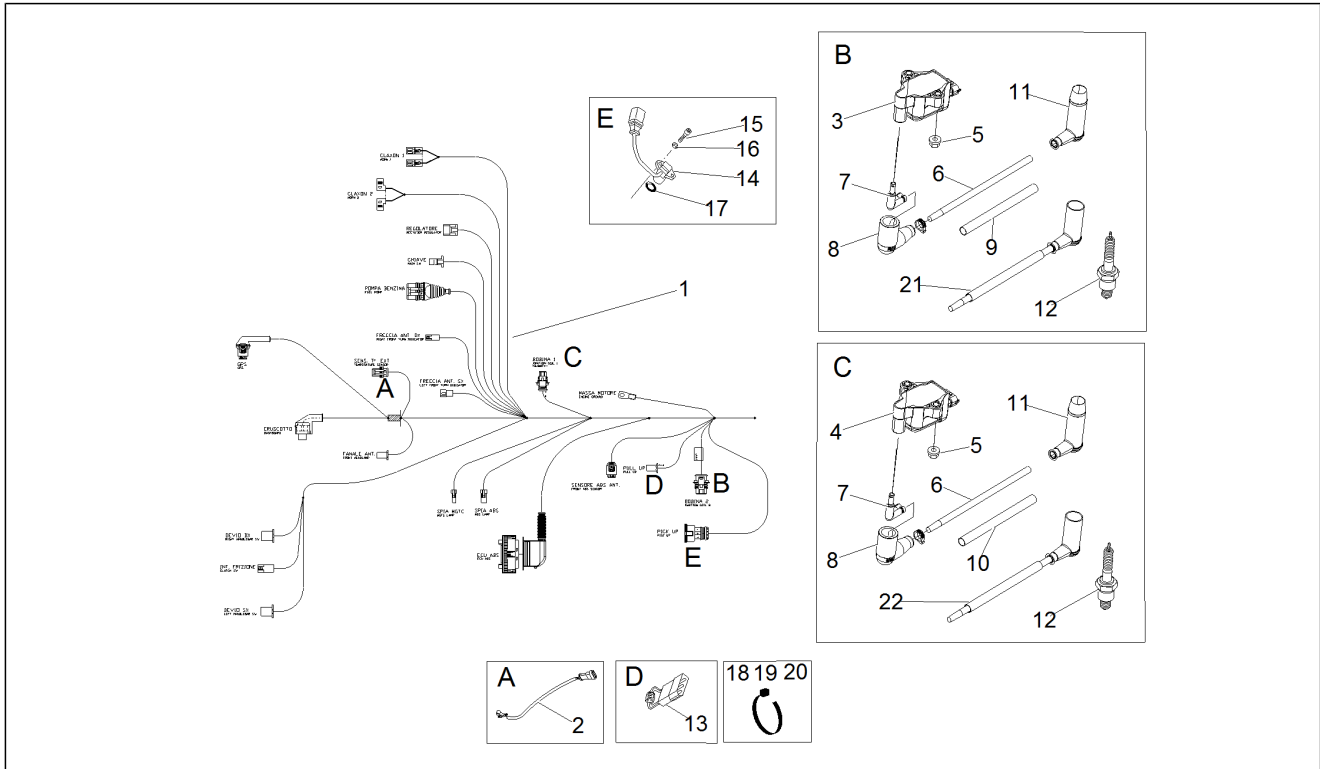
Pos.	Code	Description	Qty	Variants
1	GU32506360	Headlight support clamp	1	
2	978311	Headlight	1	
3	GU32753410	Spacer	2	
4	B063800	RH front/LH rear turn indic.	1	
5	B063801	LH front/RH rear turn indic.	1	
6	GU92787006	Cap nut M6x1	2	
7	GU98370655	Hex socket screw	2	
8	GU95021206	Washer	2	
9	GU93450105	Lamp	1	
10	GU93450232	Lamp 12V-55/60W	1	
11	GU31740383	Chromed ring nut	1	
12	981149	Cap, black	1	
13	AP8150377	screw	2	
14	GU32753711	Turn indicator lens	2	
15	GU93450127	Lamp	2	
16	890979	Horn	1	
17	GU06740400	Light assembly	1	
18	883417	O-ring	2	
19	GU00823931055	Gasket	1	
20	254485	Spring plate M6	2	
21	GU98880540	screw M10x40	2	
22	GU98692420	Hex socket screw M8x20	2	
23	GU95005308	Washer 8,4x14,57x1,6	2	

<b>Group</b>	FRAME
<b>Code</b>	33.29
<b>Description</b>	Rear lights
<b>Service</b>	1



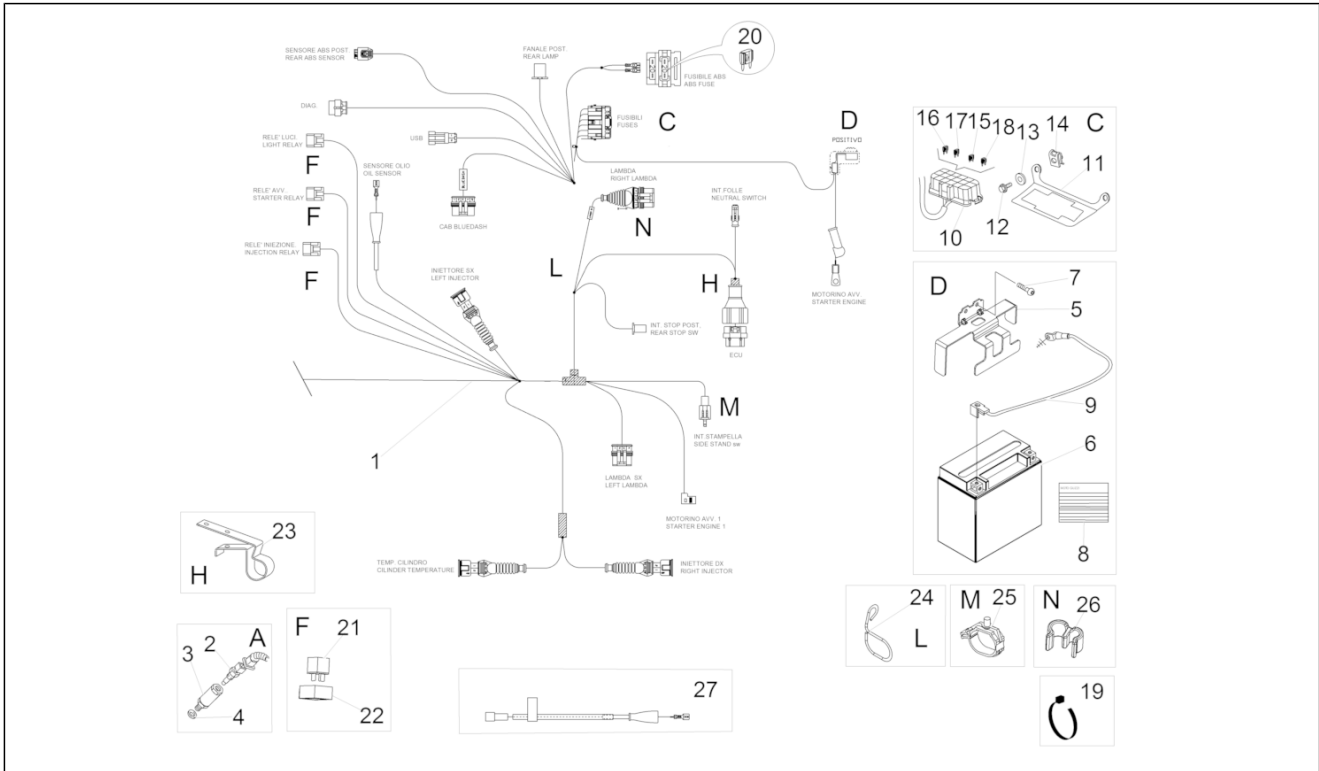
Pos.	Code	Description	Qty	Variants
1	2B001701	Taillight	1	
2	GU03740930	Taillight	1	
3	GU93450224	Lamp	1	
4	B063800	RH front/LH rear turn indic.	1	
5	B063801	LH front/RH rear turn indic.	1	
6	GU32753711	Turn indicator lens	2	
7	GU93450127	Lamp	2	
8	GU32753410	Spacer	2	
9	GU98370655	Hex socket screw	2	
10	GU95021206	Washer	2	
11	GU92787006	Cap nut M6x1	2	
12	GU98350215	Hex socket screw	3	
13	GU30577800	Nylon washer 5,5X12X1	3	
14	GU93231605	Antivibration bush	3	

<b>Group</b>	FRAME
<b>Code</b>	33.30
<b>Description</b>	Electrical system I
<b>Service</b>	1



Pos.	Code	Description	Qty	Variants
1	2D000108	Main wiring harness	1	
2	AP8124936	Air temp. Sensor	1	
3	642034	HT coil DX	1	
4	641901	HT coil	1	
5	AP8152299	Self-locking nut M6	4	
6	080341	H.V. cable	2	
7	641725	HV terminal	2	
8	641040	Insulating cap	2	
9	CM0074D0	Sheath D.8-S.0,5-L.370	1	
10	CM0074C9	Grey cable casing D.8-S.0,5-L.435	1	
11	2D000005	Spark plug cap	2	
11	2D000205	Sparkplug cap	2	
11	2D000247	Sparkplug cap	1	
12	887481	Spark plug NGK CPR8EB-9	2	
13	887948	Diode	1	
14	832029	Encoder sensor	1	
15	GU98682212	Hex socket screw M5x12	2	
16	GU95008205	Washer 5,3x10x0,8	2	
17	GU90706141	O-ring	1	
18	AP8120416	Black hose 178x4	1	
19	GU49609601	Hose clamp 2,4x92	1	
20	GU14609650	Hose clamp 3,6x20,6	31	
21	2D000207	HT wire L=470	1	
22	2D000206	HT wire L=580	1	

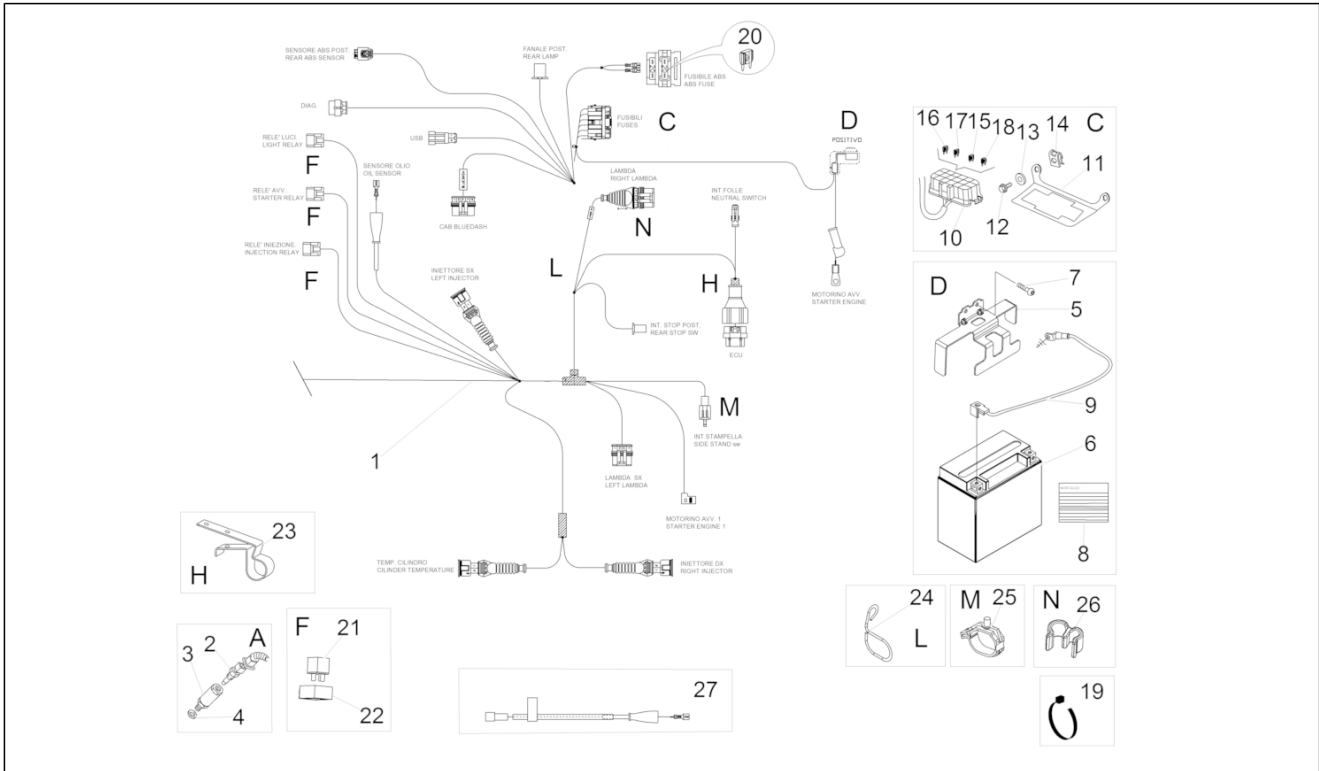
<b>Group</b>	FRAME
<b>Code</b>	33.31
<b>Description</b>	Electrical system II
<b>Service</b>	1



Pos.	Code	Description	Qty	Variants
1	2D000108	Main wiring harness	1	
2	GU29729461	Oil temperature sensor	1	
3	GU03163330	Sensor support	1	
4	GU95008210	Washer 10,2X18X2	4	
5	B063233	Battery bracket	1	
6	638733	Battery Yuasa 12V-12Ah (150x85x145)	1	
7	AP8152282	Screw w/ flange M6x35	2	
8	GU32517710	Decal "Battery service"	1	
9	GU32747910	Ground-battery lead	1	
10	584211	Fuse holder box	1	
11	883161	Fuse block support	1	
12	GU98682212	Hex socket screw M5x12	2	
13	GU95100059	Washer 5,25x14x1,5	2	
14	AP8102375	Clip m5	2	
15	CM225705	Fuse 5A	2	
16	CM225710	Fuse 10A	1	
17	CM225715	Fuse 15A	2	
18	CM225730	Fuse 30A	1	
19	AP8120416	Black hose 178x4	1	
19	GU14609650	Hose clamp 3,6x20,6	21	
19	GU49609601	Hose clamp 2,4x92	1	
20	CM225720	Fuse 20A	1	
21	AP8224462	Relay 12V-30A	3	
22	AP8220283	Rubber spacer *	3	
23	B043850	Hose clamp	1	
24	AP8181140	Fairlead	1	
25	CM013202	Pipes/cables retainer spring	1	
26	894704	Fairlead	1	

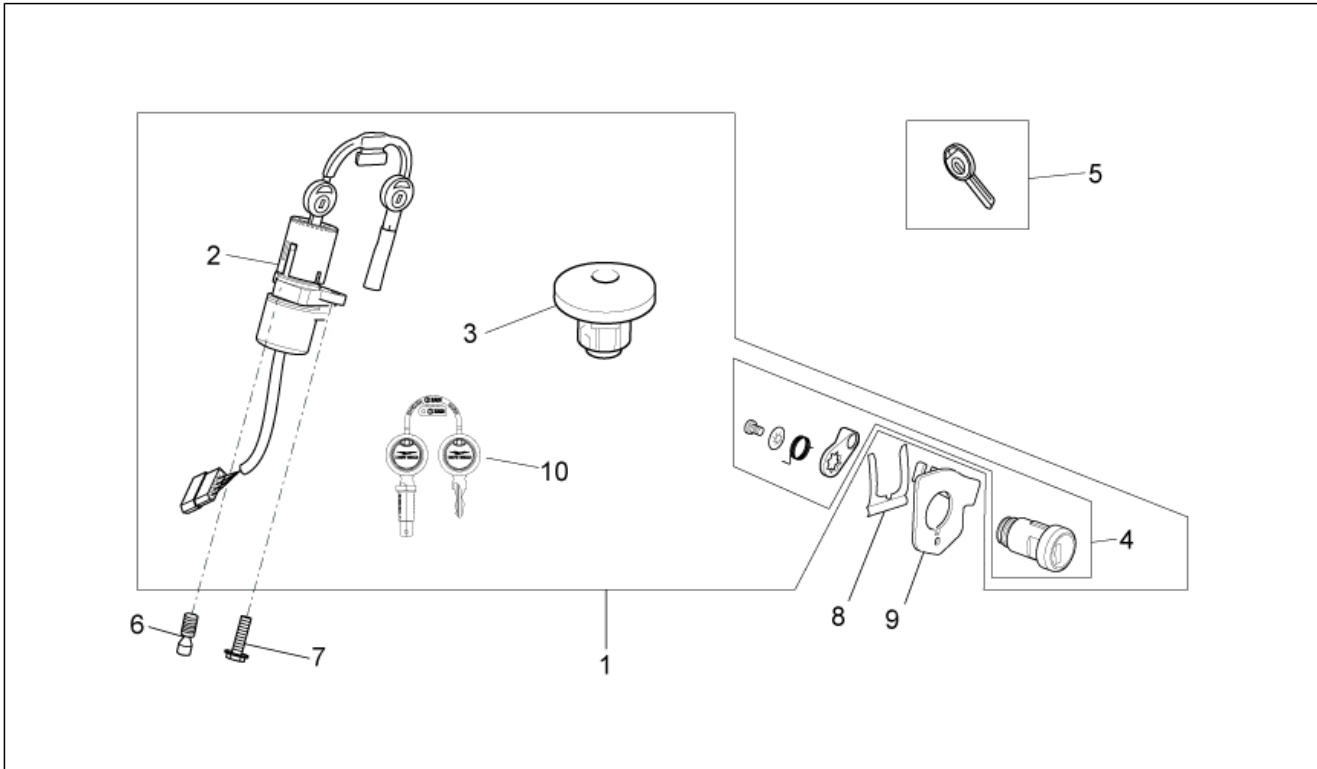


<b>Group</b>	FRAME
<b>Code</b>	33.31
<b>Description</b>	Electrical system II
<b>Service</b>	1



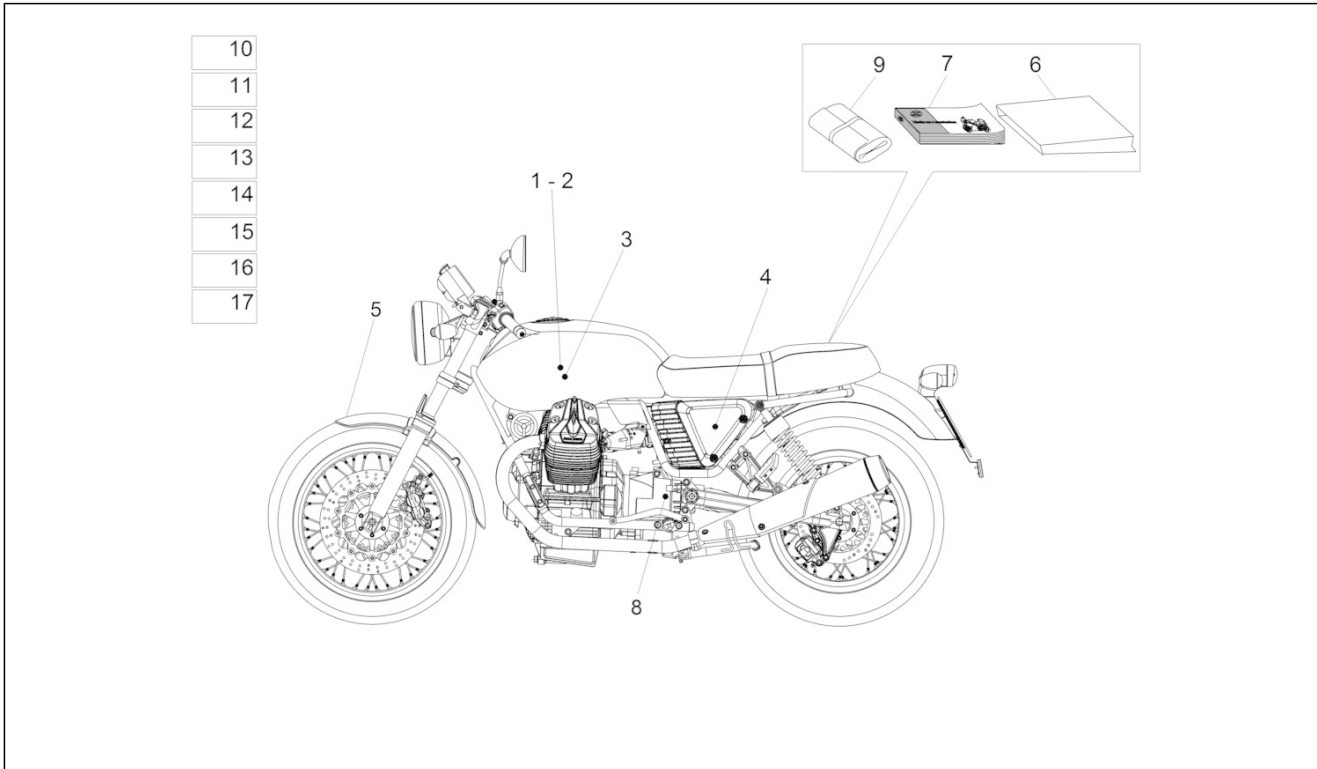
Pos.	Code	Description	Qty	Variants
27	2D000202	Oil pressure wiring	1	Country:

<b>Group</b>	FRAME
<b>Code</b>	33.32
<b>Description</b>	Lock hardware kit
<b>Service</b>	1



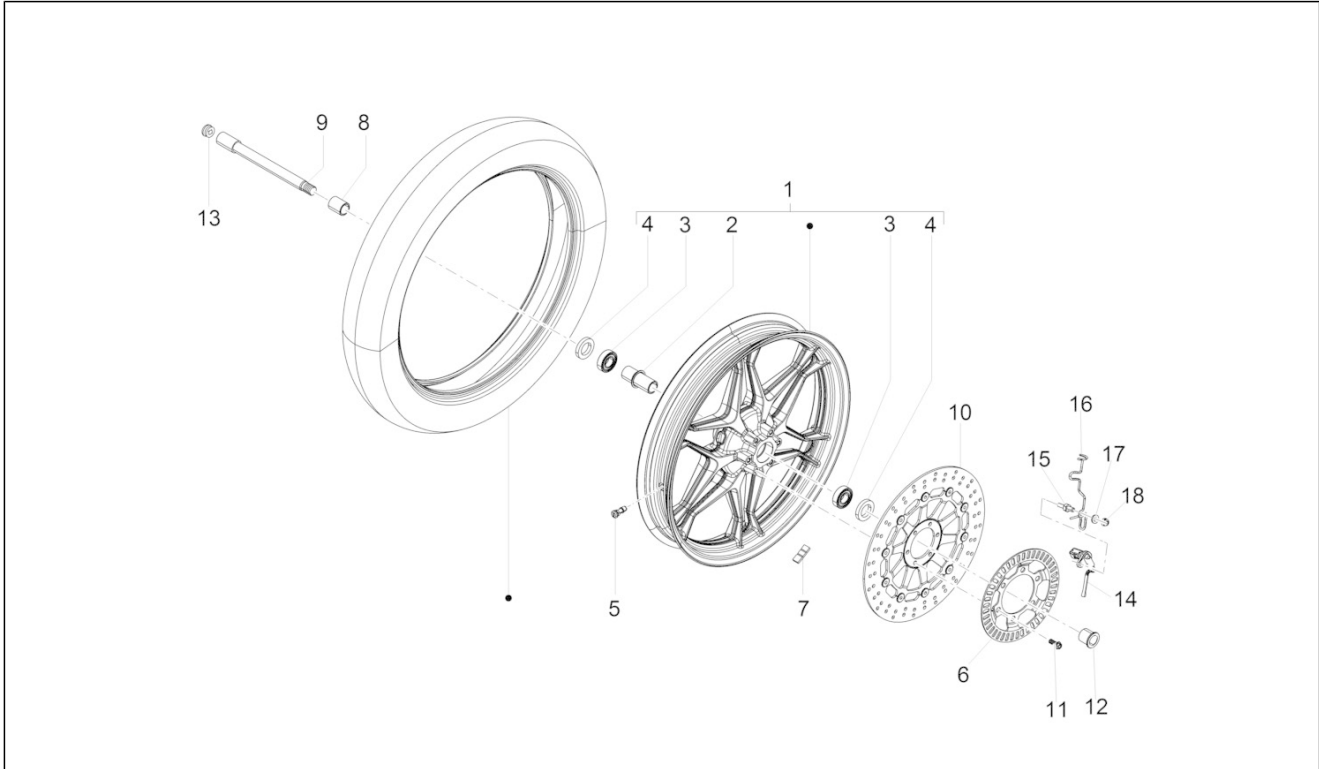
Pos.	Code	Description	Qty	Variants
1	883477	Lock kit	1	
2	GU32782510	Ignition lock with key	1	
3	883476	Tank cap	1	
4	977527	Locking complete with keys	1	
5	GU32735510	Non indent.key blank-shell go	1	
6	AP8150349	Special screw M8x15	1	
7	GU98682416	Hex socket screw M8x16	1	
8	AP8121420	Fork spring	1	
9	978415	Cable fixing plate	1	
10	2D000006	Locking cylinder with key for fuel cap	1	

<b>Group</b>	FRAME
<b>Code</b>	33.33
<b>Description</b>	Decal and plate set
<b>Service</b>	1



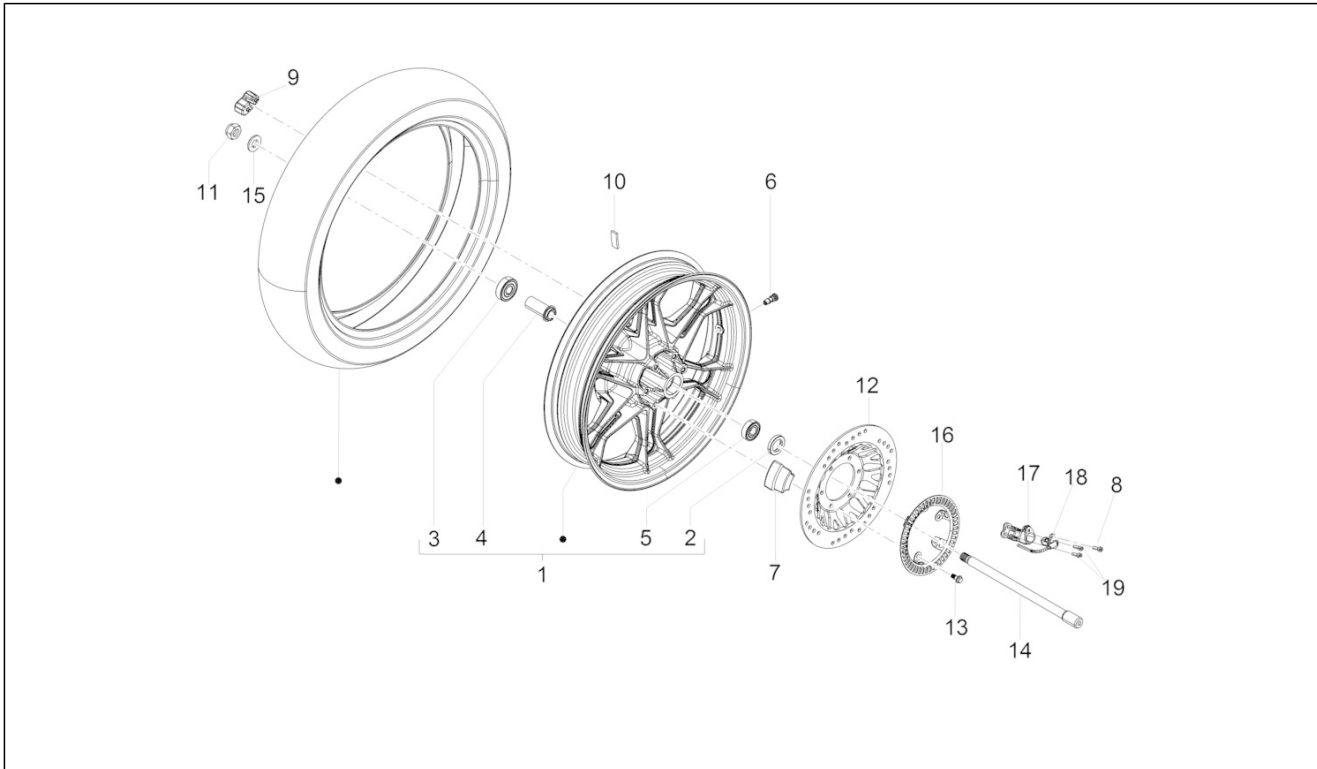
Pos.	Code	Description	Qty	Variants
1	886340	Name plate Aquila	1	
2	887930	LH Name plate Aquila	1	
3	2H000413	Decal Moto Guzzi dx-sx	2	
4	2H000724	RH-LH plate "V7 II"	2	
5	886141	Decal "Aquila"	1	
6	GU05900130	Bag for document	2	
7	2Q000057	Operator's handbook ENUS-FR-ES-IT	1	
8	895839	""Eni"" label"	2	
9	887443	Toolkit	1	
10	B045974	Fuel decal E15	1	
11	2G000072	Noise emission sticker	1	
12	2G000076	Tyre pressure decal	1	
13	2G000073	Emission control sticker	1	
14	AP8257794	Battery decal	1	
15	2G000074	Shed scheme decal	1	
16	AP8257609	Mirror decal	1	
17	AP8157100	Decal Shock Adsorber	2	

<b>Group</b>	FRAME
<b>Code</b>	33.34
<b>Description</b>	Front wheel II
<b>Service</b>	1



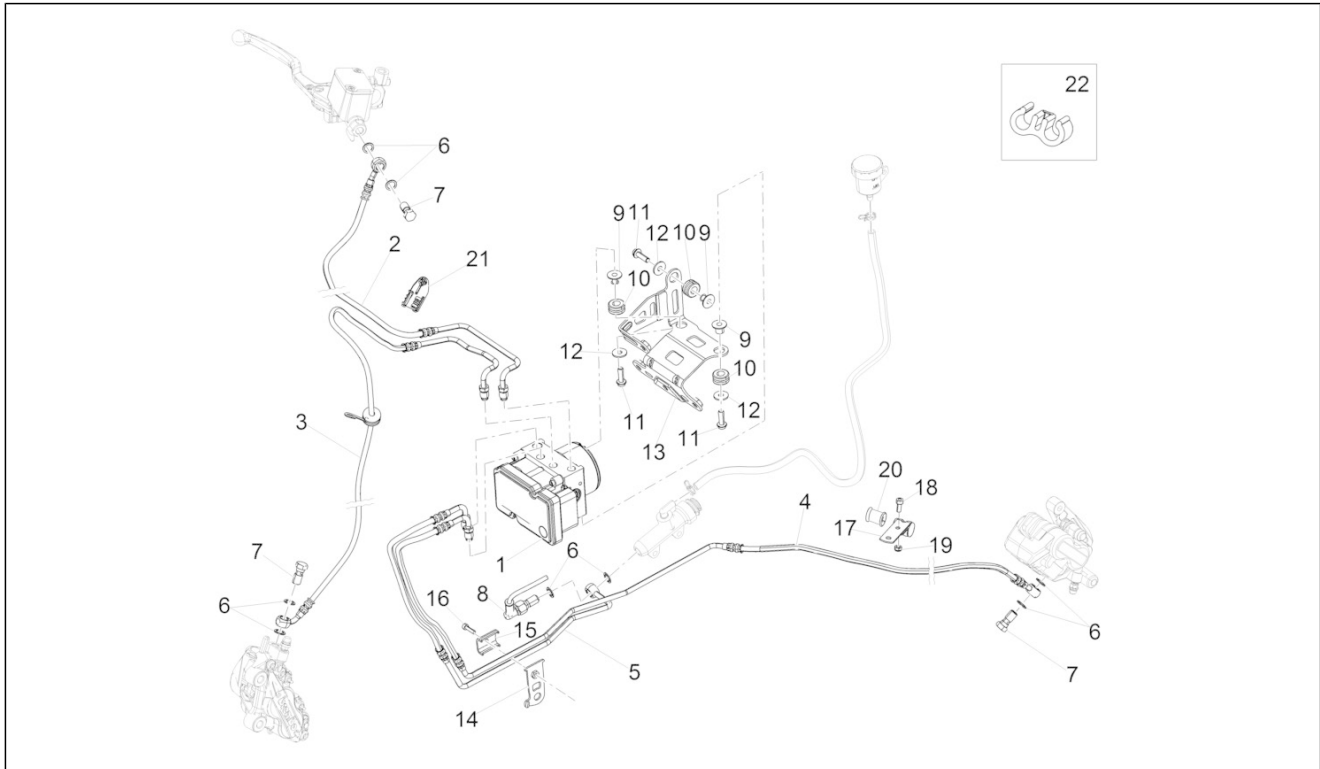
Pos.	Code	Description	Qty	Variants
1	887571	Wheel 2.5X18"	1	
2	GU31615283	Spacer	1	
3	GU92204221	Bearing	2	
4	GU90402642	Gasket ring	2	
5	GU03617710	Tubeless tyre valve	1	
6	887875	Phonic wheel	1	
7	GU14616150	Counterweight	1	
8	GU32615660	RH spacer	1	
9	GU31614183	Front wheel spindle	1	
10	883688	Front brake disc 320	1	
11	AP8152286	Screw w/ flange M8x20	6	
12	GU31616384	LH spacer	1	
13	GU93180111	Cover 15 mm	1	
14	859792	Sensor ABS	1	
15	2B001708	Spacer	1	
16	2B001561	Fairlead	1	
17	AP8150178	Washer 6,4x12,5*	1	
18	GU92630207	Nut	1	

<b>Group</b>	FRAME
<b>Code</b>	33.35
<b>Description</b>	Rear wheel II
<b>Service</b>	1



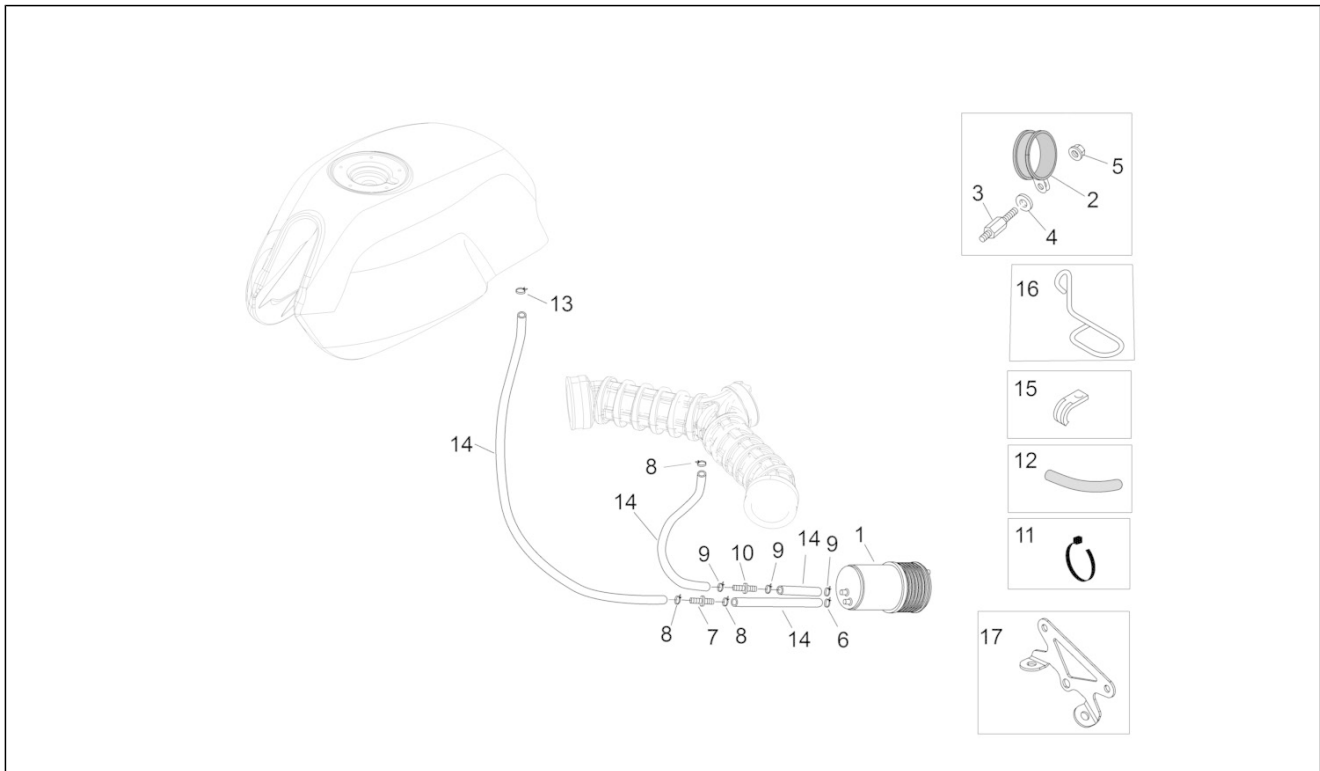
Pos.	Code	Description	Qty	Variants
1	887573	Wheel rim 3.5x17"	1	
2	GU90402538	Gasket ring 25x40x7	1	
3	GU92204218	Bearing	1	
4	GU27633910	Spacer	1	
5	GU92204217	Bearing	1	
6	GU03617710	Tubeless tyre valve	1	
7	GU32636160	Support rubber part	1	
8	GU98612216	Hex socket screw	1	
9	GU32632510	Rubber coupling	6	
10	GU14616150	Counterweight	1	
11	GU92606316	Nut M16x1,5	1	
12	887448	Brake disc	1	
13	894505	Screw w/ flange M8x18	6	
14	GU32633360	Rear wheel spindle	1	
15	GU31634481	Washer	1	
16	2B000225	Phonic wheel	1	
17	2B000377	Sensor support ABS	1	
18	859792	Sensor ABS	1	
19	GU98682312	Hex socket screw M6x12	2	

<b>Group</b>	FRAME
<b>Code</b>	33.36
<b>Description</b>	ABS Brake system
<b>Service</b>	1



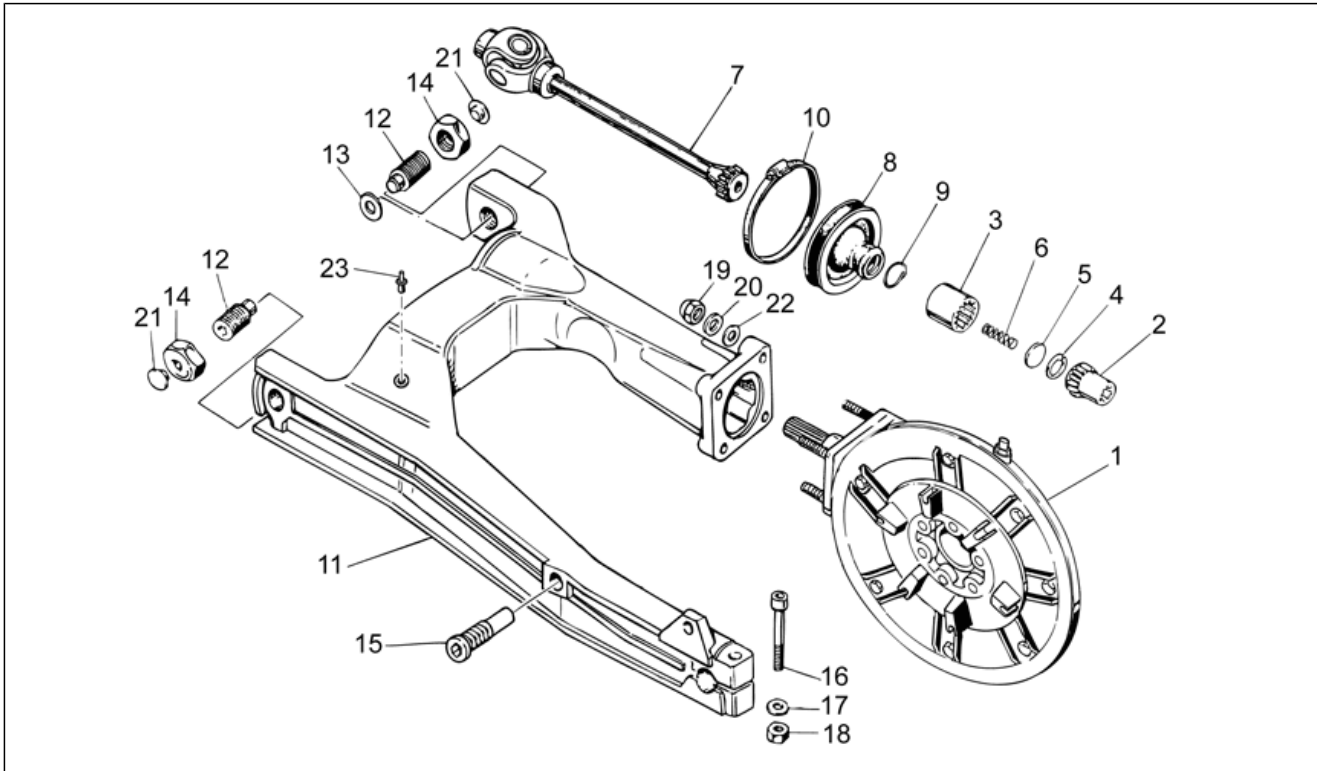
Pos.	Code	Description	Qty	Variants
1	2D000102	ABS control unit	1	
2	2B001557	ABS control unit front pump pipe	1	
3	2B001558	ABS control unit front clamp pipe	1	
4	2B001556	ABS control unit rear clamp pipe	1	
5	2B001555	ABS control unit rear pump pipe	1	
6	AP8113004	Washer 10x14x1,6*	8	
7	AP8113003	Oil pipe screw	4	
8	854973	Stop switch	1	
9	AP8221023	T bush	3	
10	AP8120030	Rubber spacer	3	
11	AP8152279	Screw w/ flange M6x20	3	
12	AP8150015	Washer 6,6x18x1,6*	3	
13	2B001016	ABS control unit support	1	
14	2B001564	Brake hose holder plate	1	
15	2B001614	Pipe fixing plate	1	
16	959559	Hex socket screw M4x16	1	
17	GU03658330	Hose clamp	1	
18	895709	Hex socket screw M5x12	1	
19	AP8150451	Low self-locking nut	1	
20	GU03658201	Ring	1	
21	2B001570	Brake hose holder plate	1	
22	2B000276	Staple	2	

<b>Group</b>	FRAME
<b>Code</b>	33.48
<b>Description</b>	Fuel vapour recover system
<b>Service</b>	1



Pos.	Code	Description	Qty	Variants
1	AP8102678	Carbon filter	1	
2	AP8102688	Hose clamp d.76	1	
3	GU32439260	Canister support USA	1	
4	GU95005311	Washer	1	
5	AP8152299	Self-locking nut M6	1	
6	AP8102159	Hose clamp	1	
7	860138	Valve	1	
8	GU28157950	Hose clip 12,5x8	4	
9	AP8120446	Hose clip, green D11x6,6x1	2	
10	AP8121267	Choke hold	1	
11	AP8120416	Black hose 178x4	1	
12	GU00823923140	Thermal sheath	4	
13	AP8201358	Hose clamp D 11,9	1	
14	856063	pipe SAE 30 d.12,7x6,35	3	
15	GU93301313	U-bolt	1	
16	AP8221114	Cable-guide	2	
17	2B002261	Canister support	1	

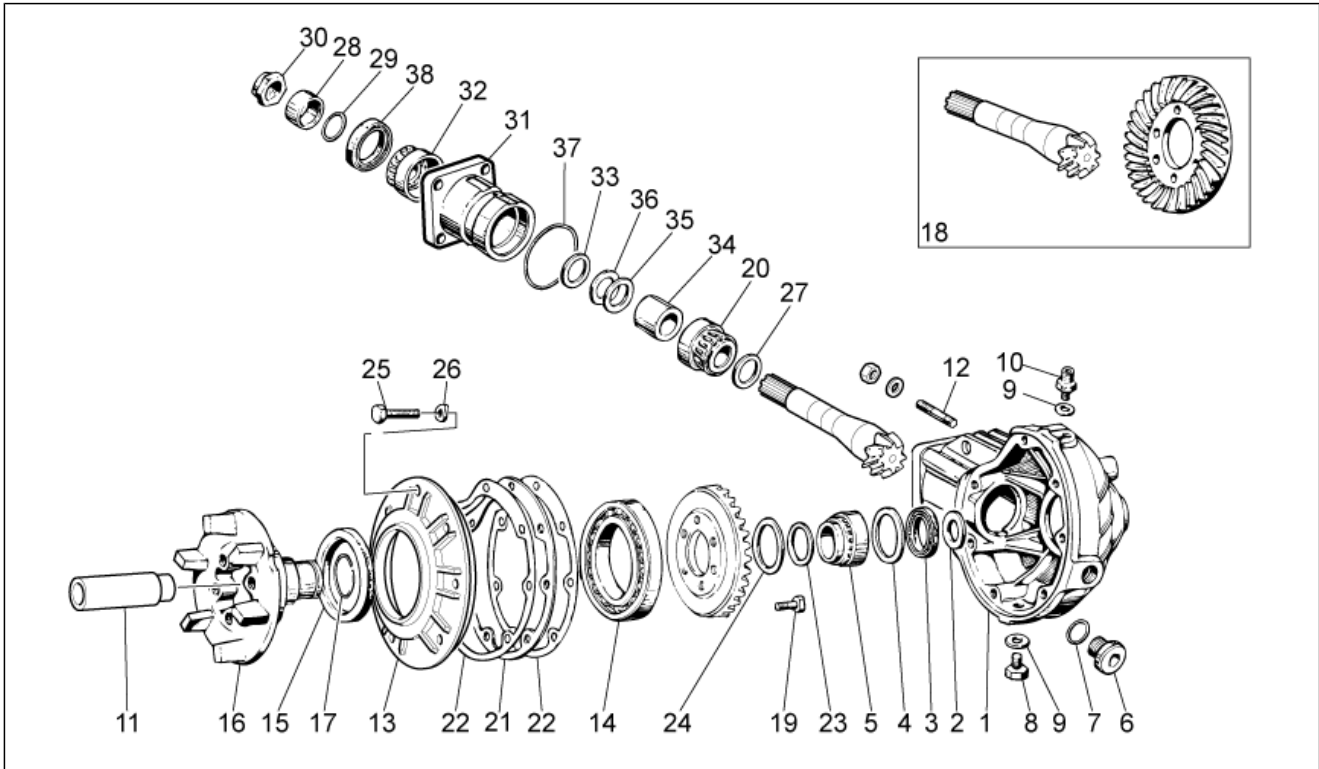
<b>Group</b>	ENGINE
<b>Code</b>	34.09
<b>Description</b>	Transmission complete I
<b>Service</b>	1



Pos.	Code	Description	Qty	Variants
1	976941	Transmission box assy., black	1	
2	GU31327783	Hose	1	
3	GU19328801	Hose	1	
4	GU90272023	Circlip	1	
5	GU19327601	Disc	1	
6	GU94321099	Spring	1	
7	GU23328081	Coupling	1	
8	GU23548080	Protection collar	1	
9	GU23548180	Spring	1	
10	AP8120246	Hose clamp D=60-80	1	
11	2B001959	Swing arm, black	1	
12	GU19547000	Pin	2	
13	GU35214300	Spacer	1	
14	GU31547882	Nut	2	
15	GU31544181	Pin	1	
16	GU98680545	screw M10x45	1	
17	GU95008210	Washer 10,2X18X2	1	
18	GU92606210	Nut M10x1,5	1	
19	860651	Cap nut M8x1,25	4	
20	GU14615901	Washer 8,4X13X0,8	4	
21	GU93180105	Cover	2	
22	GU95005308	Washer 8,4x14,57x1,6	4	
23	GU03922280	Cover 5x9	1	

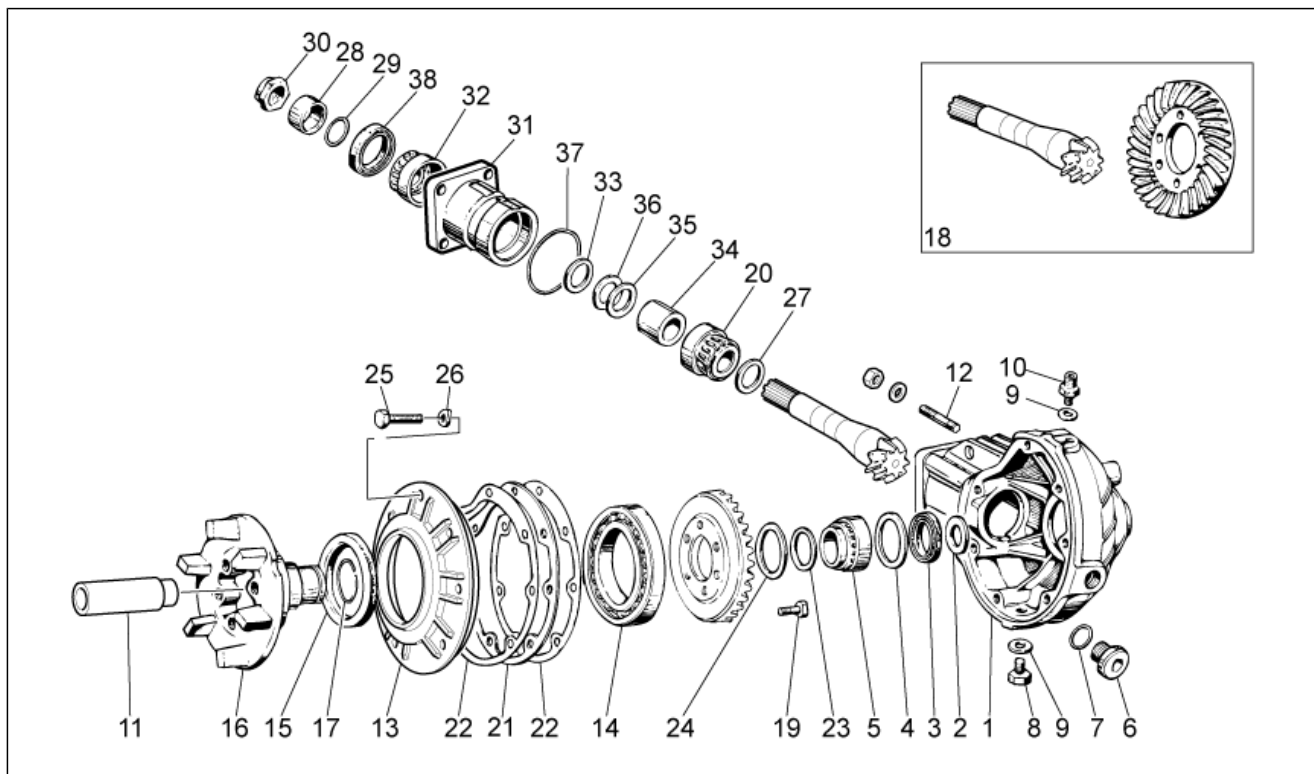


<b>Group</b>	ENGINE
<b>Code</b>	34.10
<b>Description</b>	Transmission complete II
<b>Service</b>	1



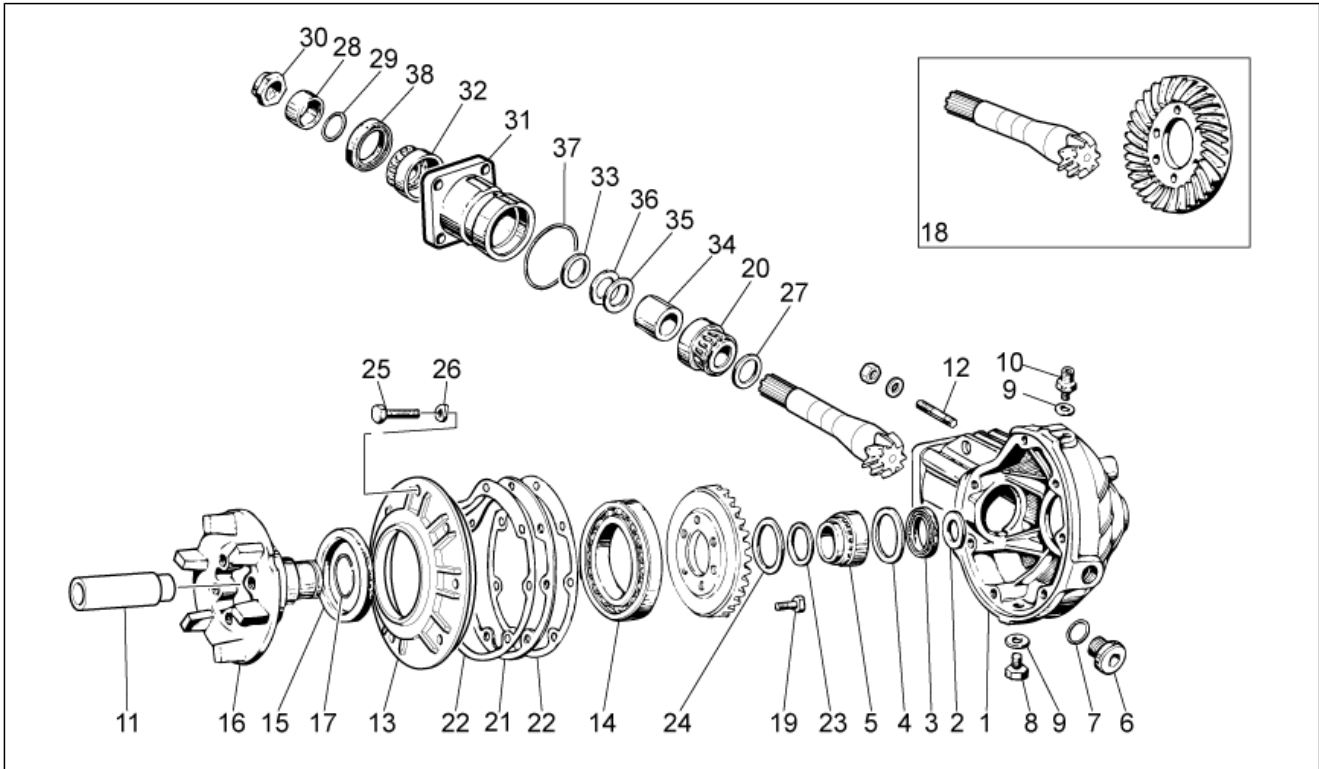
Pos.	Code	Description	Qty	Variants
1	976608	Transmission housingblack	1	
2	GU19351900	Clearance washer	1	
3	GU90403549	Gasket ring 35x47x7	1	
4	GU19351100	Clearance washer	1	
5	GU92252235	Roller bearing 35x50x17	1	
6	GU12022600	Oil plug	1	
7	GU90706203	O-ring 20,24x2,62	1	
8	GU31003766	Oil unload plug M10x1	1	
9	GU01528930	Gasket 10x18x1,5	2	
10	GU19206501	Breather plug	1	
11	GU32633560	Spacer	1	
12	GU96508055	Stud bolt	4	
13	GU32350410	Cover	1	
14	GU92201070	Ball bearing 70x110x13	1	
15	GU90407591	Gasket ring 75x95x10	1	
16	GU32351410	Pin	1	
17	GU90353030	Stop ring	1	
18	GU32354610	Bevel gear 8/33	1	
19	GU03067730	screw M8x25	6	
20	GU92249227	Tap.roller bearing 25x5	1	
21	GU19355320	Spacer 1 mm	1	
21	GU19355321	Spacer 1,1 mm	1	
21	GU19355322	Spacer 1,2 mm	1	
21	GU19355323	Spacer 1,3 mm	1	
21	GU19355324	Spacer 1,4 mm	1	
21	GU19355325	Spacer 1,5 mm	1	
21	GU19355326	Spacer 1,6 mm	1	
21	GU19355327	Spacer 1,7 mm	1	

<b>Group</b>	ENGINE
<b>Code</b>	34.10
<b>Description</b>	Transmission complete II
<b>Service</b>	1



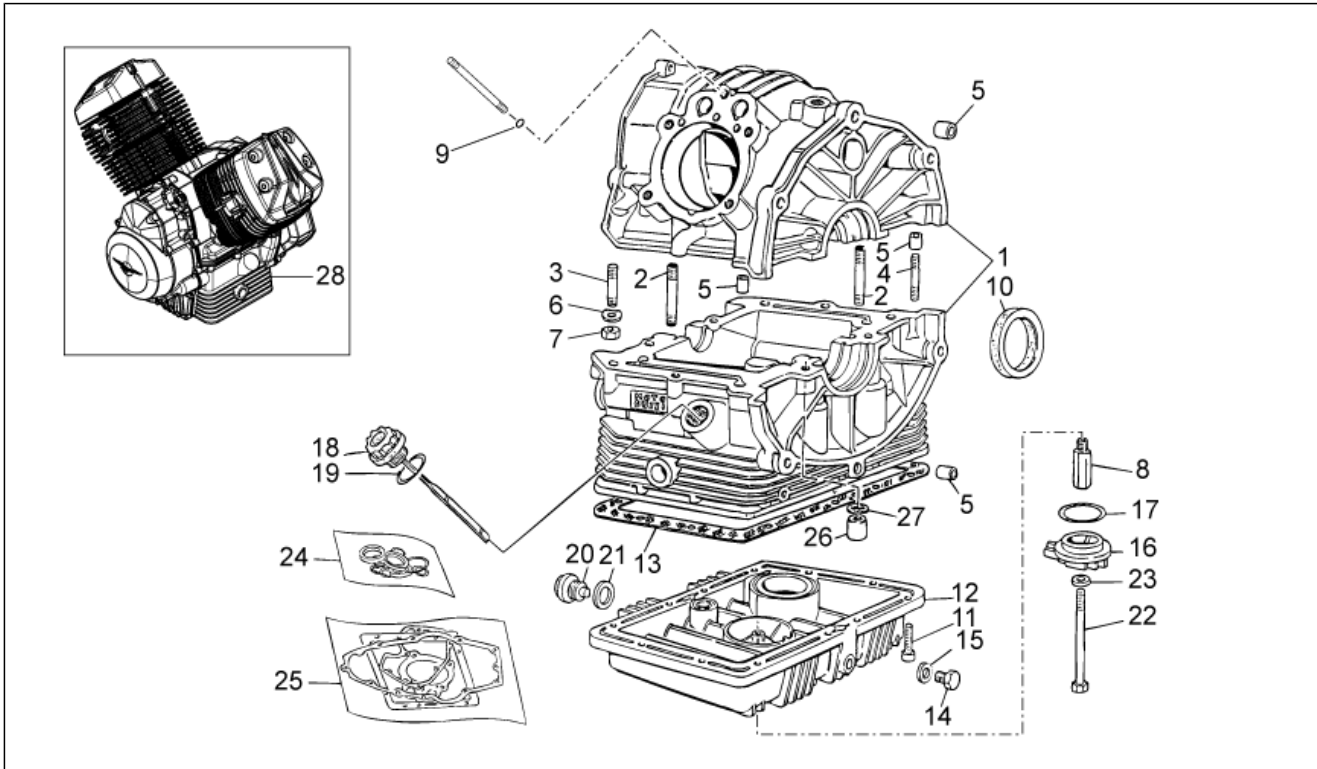
Pos.	Code	Description	Qty	Variants
21	GU19355328	Spacer 1,8 mm	1	
21	GU19355329	Spacer 1,9 mm	1	
21	GU19355400	Spacer 0,8 mm	1	
21	GU19355402	Spacer 0,9 mm	1	
21	GU19355404	Spacer 1 mm	1	
21	GU19355406	Spacer 1,1 mm	1	
21	GU19355408	Spacer 1,2 mm	1	
21	GU19355410	Spacer 1,3 mm	1	
21	GU19355411	Spacer 1,4 mm	1	
21	GU19355412	Spacer 1,5 mm	1	
21	GU19355413	Spacer 1,6 mm	1	
22	2A000382	Gasket	2	
22	GU19350700	Gasket	2	
23	GU19352300	Thrust washer	1	
24	GU19353500	Thrust washer	1	
25	GU19357660	screw	7	
26	GU61270300	Spring washer 8x15x0,3	7	
27	2B002318	Spacer 0,2 mm	1	
27	2B002319	Spacer 0,3 mm	1	
27	2B002320	Spacer 0,4 mm	1	
27	2B002424	Spacer 0,5 mm	1	
27	2B002425	Spacer 0,6 mm	1	
27	2B002426	Spacer 0,7 mm	1	
28	GU19356801	Spacer	1	
29	GU90706188	Gasket ring 18,77X1,78	1	
30	GU19356700	Nut	1	
31	GU20352421	Flange	1	
32	GU92249220	Roller bearing 20x47x14	1	

<b>Group</b>	ENGINE
<b>Code</b>	34.10
<b>Description</b>	Transmission complete II
<b>Service</b>	1



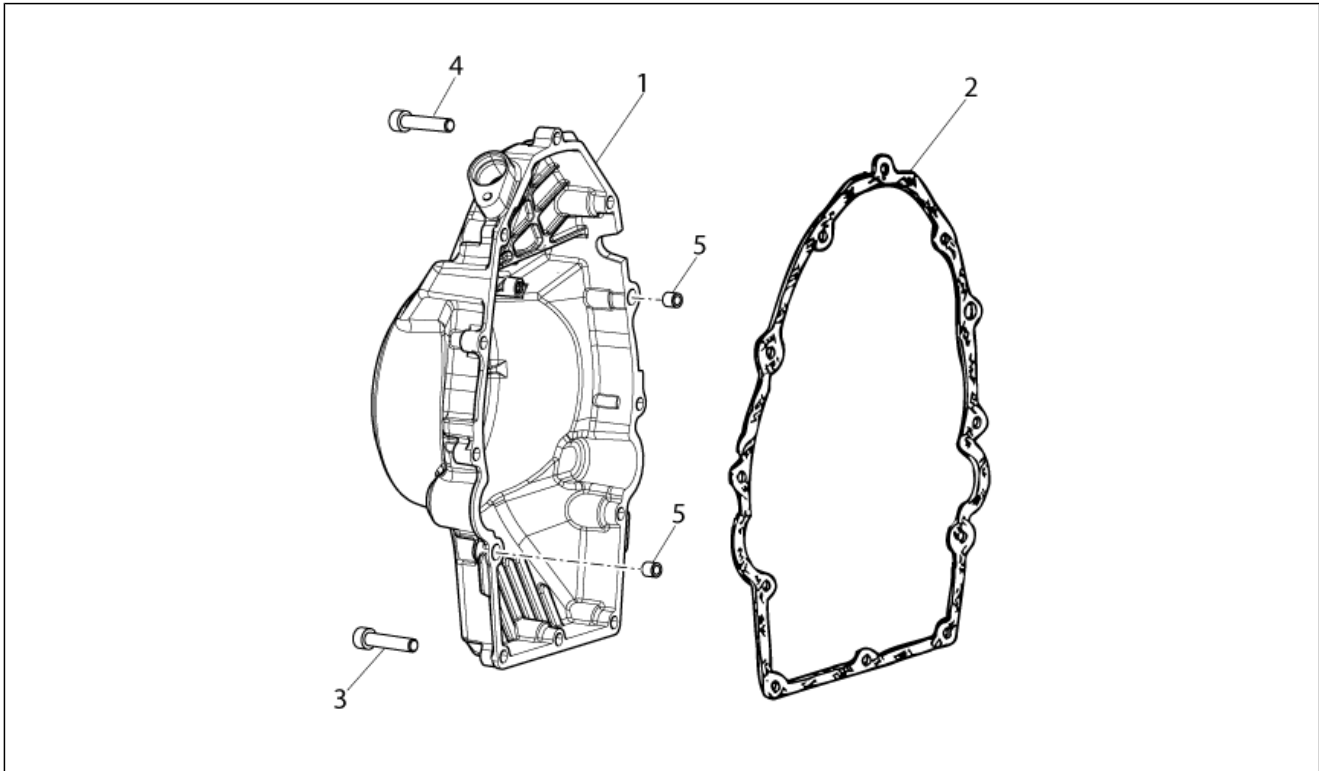
Pos.	Code	Description	Qty	Variants
33	GU19355300	Spacer 1 mm	1	
33	GU19355301	Spacer 1,1 mm	1	
33	GU19355302	Spacer 1,2 mm	1	
33	GU19355303	Spacer 1,3 mm	1	
33	GU19355304	Spacer 1,4 mm	1	
33	GU19355305	Spacer 1,5 mm	1	
33	GU19355306	Spacer 1,6 mm	1	
33	GU19355307	Spacer 1,7 mm	1	
33	GU19355308	Spacer 1,8 mm	1	
33	GU19355309	Spacer 1,9 mm	1	
34	GU20355121	Spacer	1	
35	GU19355200	Shim 0,1 mm	1	
36	GU19355202	Shim 0,15 mm	1	
	GU90706584	Gasket 58,42x2,62	1	
38	GU90403251	Gasket ring 32x47x10	1	

<b>Group</b>	ENGINE
<b>Code</b>	34.34
<b>Description</b>	Crank-case
<b>Service</b>	1



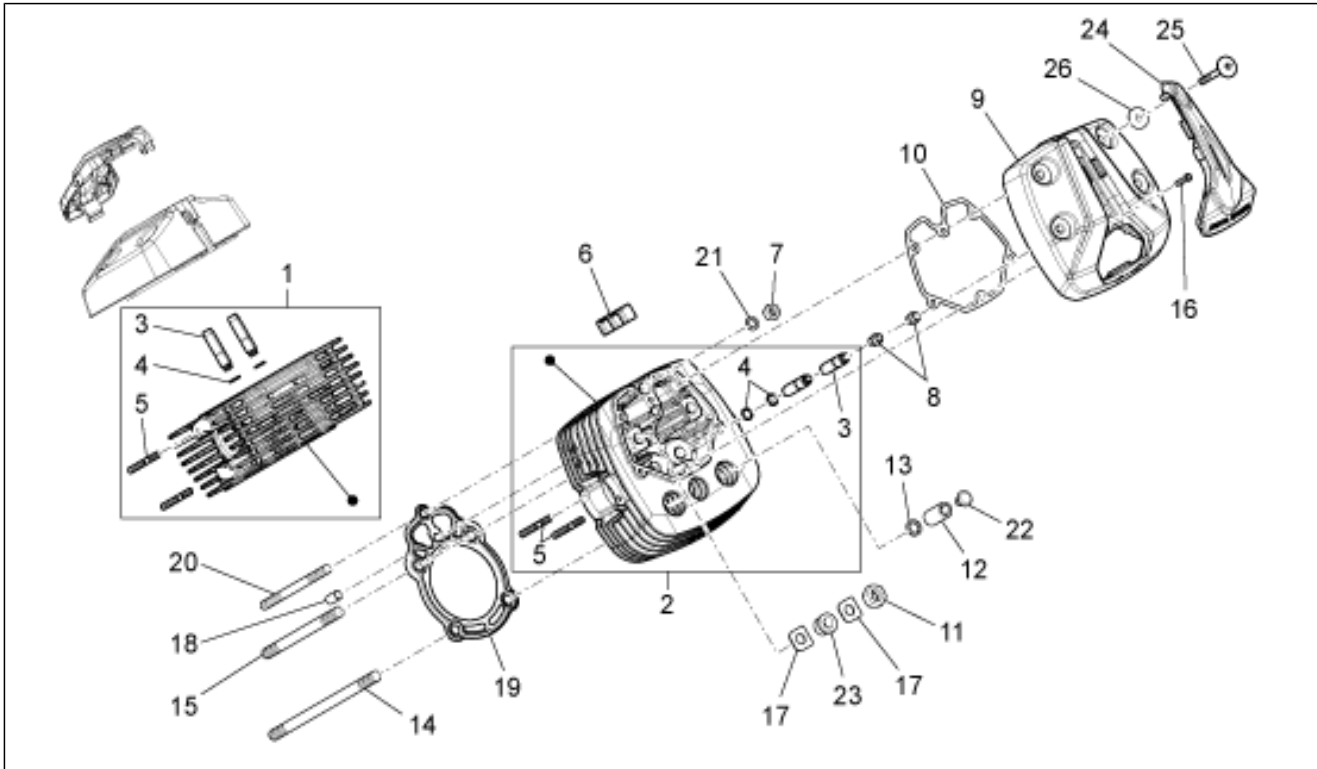
Pos.	Code	Description	Qty	Variants
1	2A0002355	Crankcase assy	1	
2	GU96451560	Stud bolt	4	
3	GU96451430	Stud bolt	4	
4	GU96508055	Stud bolt	2	
5	GU19015020	Bushing	4	
6	GU61270300	Spring washer 8x15x0,3	6	
7	GU92606208	Nut M8x1,25	6	
8	GU19003800	Joint	1	
9	GU90706076	O-ring	2	
10	886365	Gasket ring	1	
11	GU98682325	Hex socket screw M6x25	12	
12	976604	Oil sump black	1	
13	887004	Sump gasket	1	
14	GU31003766	Oil unload plug M10x1	1	
15	GU10528900	Gasket	1	
16	976685	Plug	1	
17	GU90706444	O-ring	1	
18	883826	Oil load plug	1	
19	GU90706281	O-ring 28,24x2,62	1	
20	GU12003702	Oil unload plug	1	
21	GU95100709	Gasket 20,1x28x2	1	
22	GU27152885	Bolt	1	
23	GU12154200	Gasket 8,25x15x1	1	
24	GU32999510	Oil seals - set	1	
25	GU32999010	Gasket set	1	
26	GU13021900	Column nut	4	
27	GU95129180	Washer 10,5X18X0,8	4	
28	2L0002405	Engine assy w/hout transm.	1	

<b>Group</b>	ENGINE
<b>Code</b>	34.35
<b>Description</b>	Timing system cover
<b>Service</b>	1



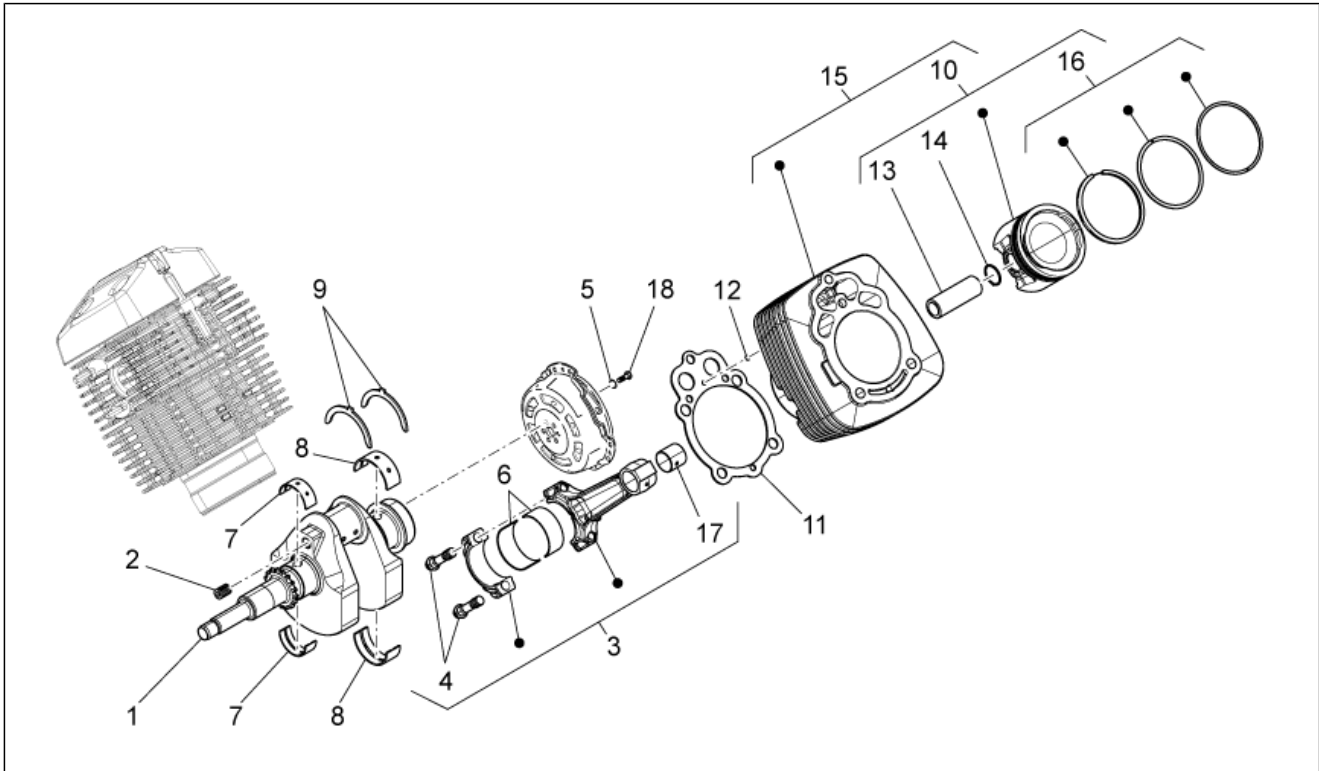
Pos.	Code	Description	Qty	Variants
1	2A000085	Cover	1	
2	887003	Cover gasket	1	
3	GU98682325	Hex socket screw M6x25	10	
4	GU98682330	Hex socket screw M6x20	2	
5	GU19002020	Bushing 6,6x9x13	2	

<b>Group</b>	ENGINE
<b>Code</b>	34.36
<b>Description</b>	Cylinder head
<b>Service</b>	1



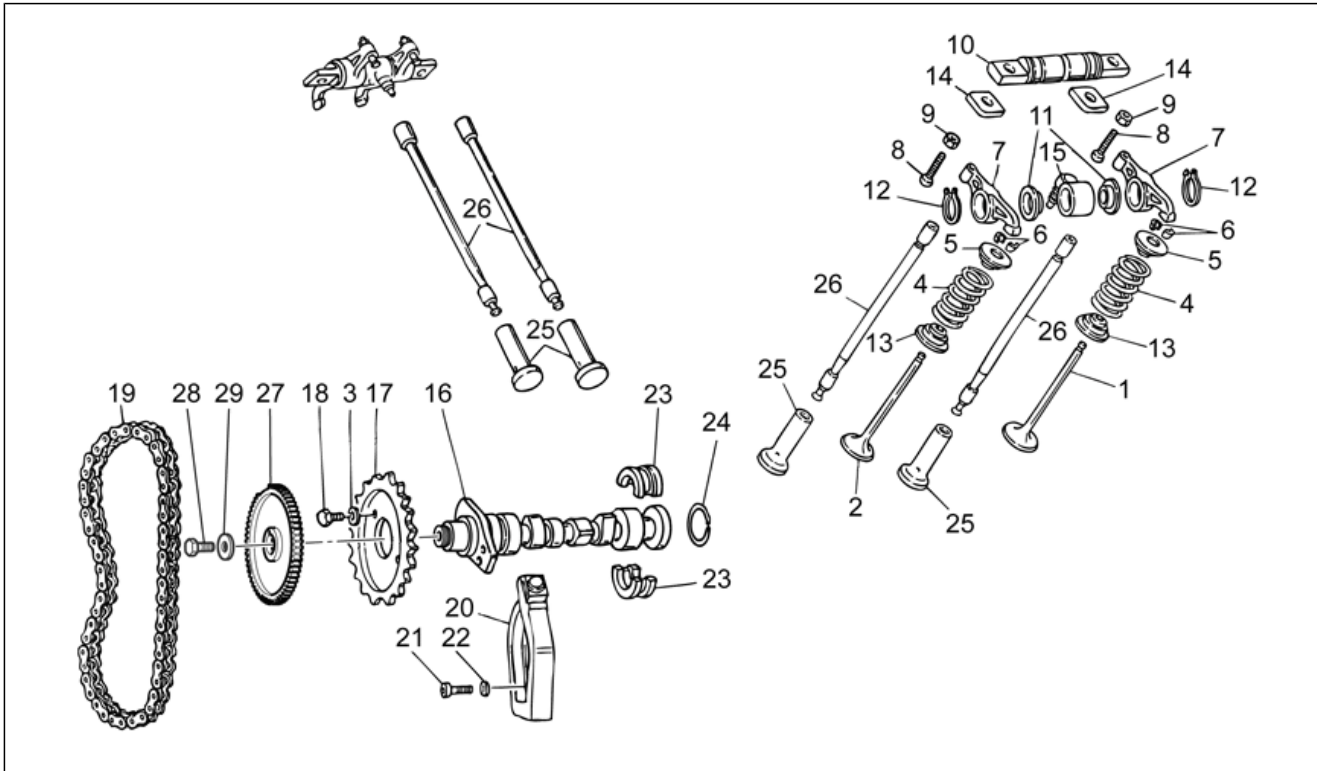
Pos.	Code	Description	Qty	Variants
1	8872724	RH head	1	
2	8872754	LH head	1	
3	GU61036801	Valve guide	4	
4	GU90353009	Snap ring	4	
5	GU96506042	Stud bolt	4	
6	B063111	Damping plug	4	
7	GU19021920	Nut	2	
8	GU19037820	Oil seal	4	
9	887523	Head cover	2	
10	887002	Head cover gasket	2	
11	GU92603010	Nut M10X1,5	4	
12	GU13021900	Column nut	4	
13	GU95129180	Washer 10,5X18X0,8	4	
14	GU96510214	Stud bolt M10x214	4	
15	GU96510181	Stud bolt M10x182	4	
16	GU98692325	Hex socket screw M6x25	4	
17	GU19032980	Spacer	8	
18	GU19021360	Bushing	2	
19	B063099	Cylinder head gasket	2	
20	976898	Stud bolt M8x140	2	
21	GU61270300	Spring washer 8x15x0,3	2	
22	GU93180245	Cover	4	
23	AP8144071	Rubber exhaust	1	
24	887279	Spark plug cover	2	
25	887483	Head cover screw M6x52.5	8	
26	969973	Washer	8	

<b>Group</b>	ENGINE
<b>Code</b>	34.37
<b>Description</b>	Crankshaft cpl.
<b>Service</b>	1



Pos.	Code	Description	Qty	Variants
1	2A0000995	Drive shaft	1	
2	GU19065400	Cover	1	
3	GU27061585	Connecting rod cpl.	2	
4	GU19062261	screw	4	
5	GU14615901	Washer 8,4X13X0,8	6	
6	GU27062060	Bearing half-shell	4	
7	GU27065660	Front main half-bearing	2	
8	GU27066560	Rear main half-bearing	2	
9	GU27066460	Half-clamp	2	
10	8872690001	Piston complete with 80 Cat. D	1	
10	8872690002	Piston complete with 80 Cat. E	1	
10	8872690003	Piston complete with 80 Cat. F	1	
11	886670	Cylinder gasket	2	
12	GU61027200	O-ring	2	
13	B063016	Piston pin	2	
14	874567	Stop ring	4	
15	B063465	Cylinder with piston	2	
16	B063466	Pistonring set	2	
17	GU27061885	Bushing	2	
18	GU19067700	screw	6	

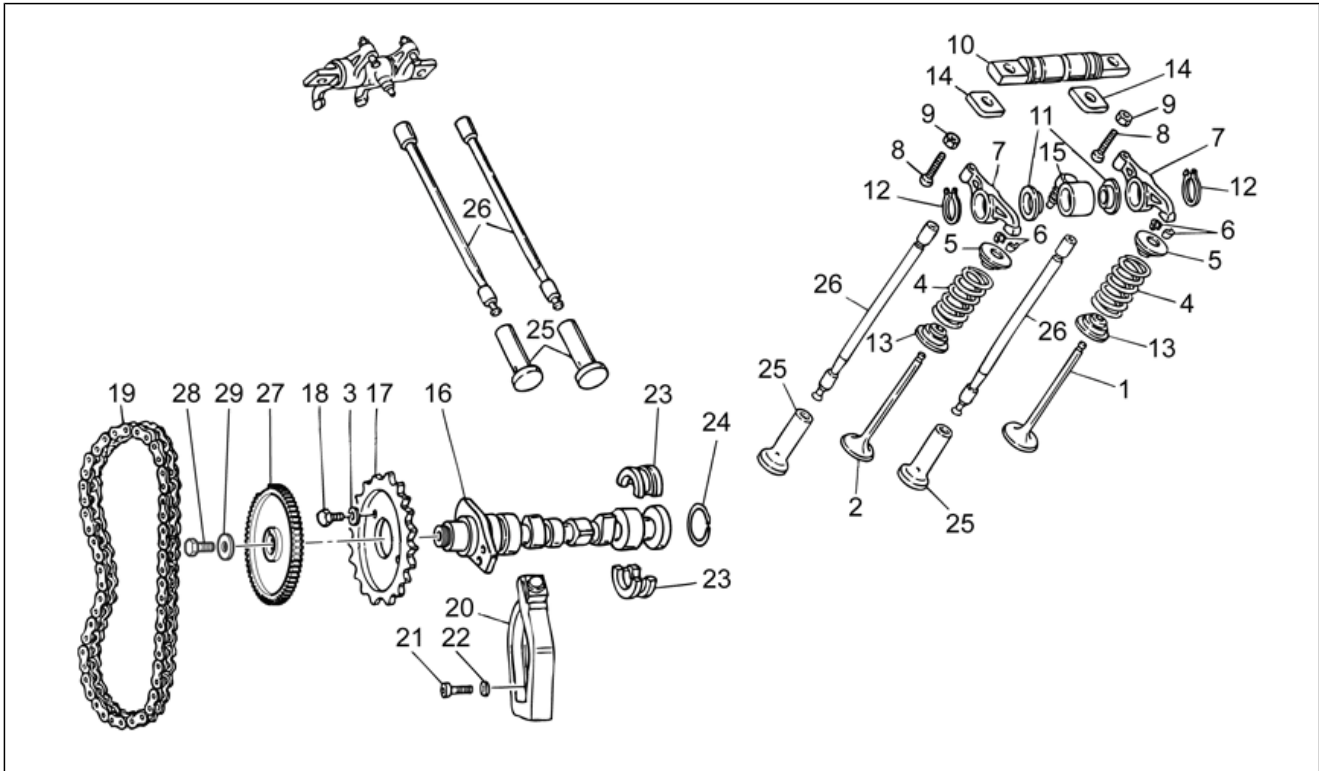
<b>Group</b>	ENGINE
<b>Code</b>	34.38
<b>Description</b>	Timing system
<b>Service</b>	1



Pos.	Code	Description	Qty	Variants
1	2A000146	Valve, in	2	
2	2A000147	Exhaust valve	2	
3	GU23217800	Safety washer	2	
4	GU27037521	Spring	4	
5	GU31038015	Upper cup	4	
6	GU61038100	Half-cone	8	
7	GU19030500	Rocker arm assy.	4	
8	GU19034000	screw	4	
9	GU92602406	Nut M6x1	4	
10	GU19032080	Rocker shaft	2	
11	GU32032310	Thrust washer	4	
12	GU90271018	Circlip	4	
13	GU31037015	Lower cup	4	
14	GU19032980	Spacer	4	
15	2B000579	Hose	2	
16	GU32053410	Camshaft	1	
17	GU32054510	Timing system gear	1	
18	GU61054900	Bolt	2	
19	GU19058021	Camshaft chain	1	
20	GU19058220	Chain stretching drive	1	
21	GU98882316	screw	1	
22	GU95129115	Washer	1	
23	GU19055700	Sector	2	
24	GU90353029	Snap ring	1	
25	GU19045861	Tappet	4	
26	GU31045015	Rocker arm rod	4	
27	887528	Phonic wheel	1	
28	GU98054422	screw M8x22	1	

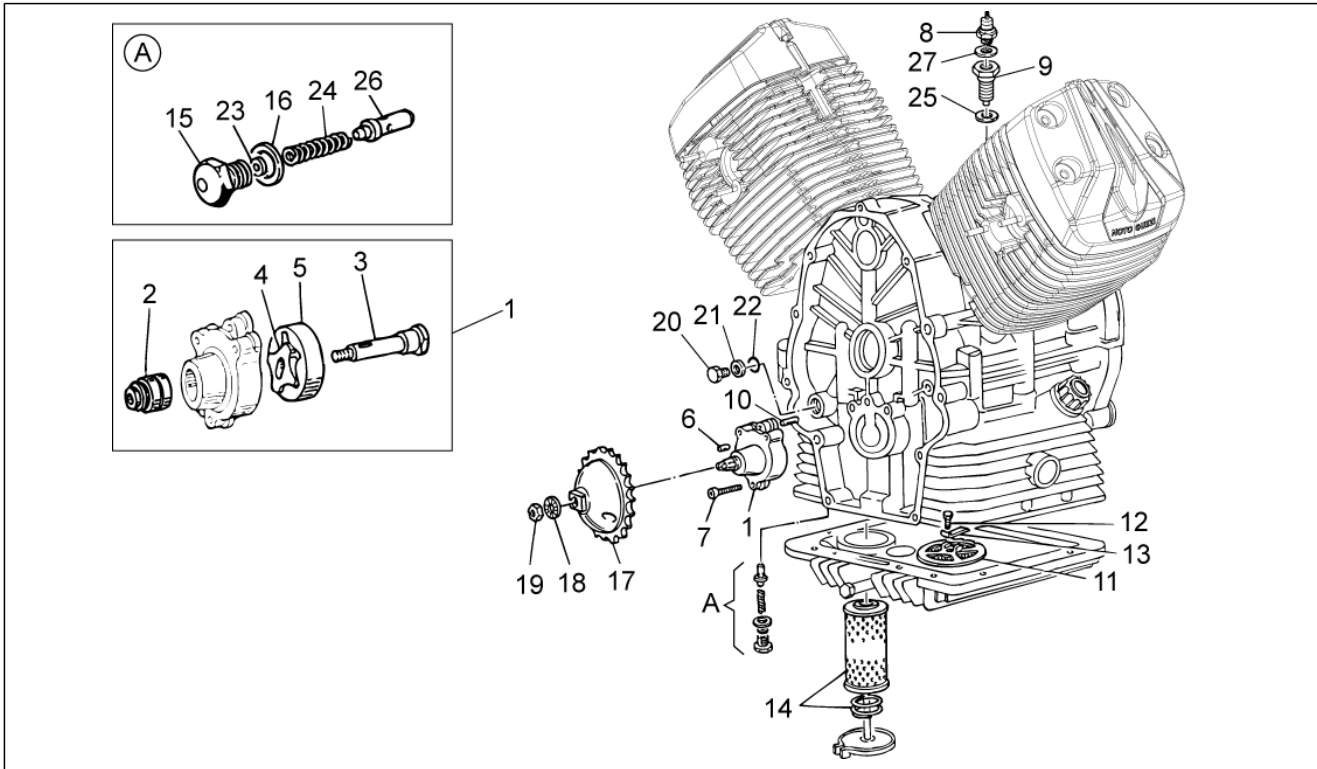


<b>Group</b>	ENGINE
<b>Code</b>	34.38
<b>Description</b>	Timing system
<b>Service</b>	1



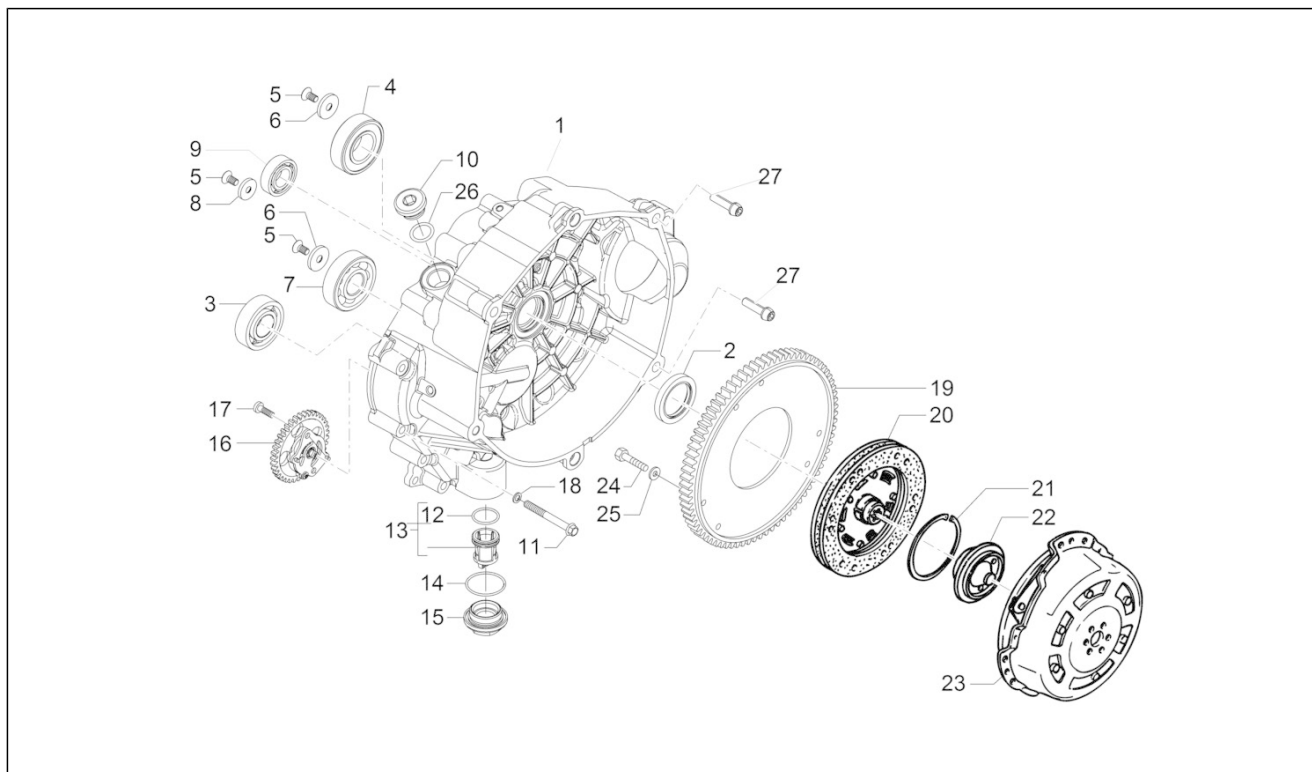
Pos.	Code	Description	Qty	Variants
29	GU95100244	Washer	1	

<b>Group</b>	ENGINE
<b>Code</b>	34.39
<b>Description</b>	Oil pump
<b>Service</b>	1



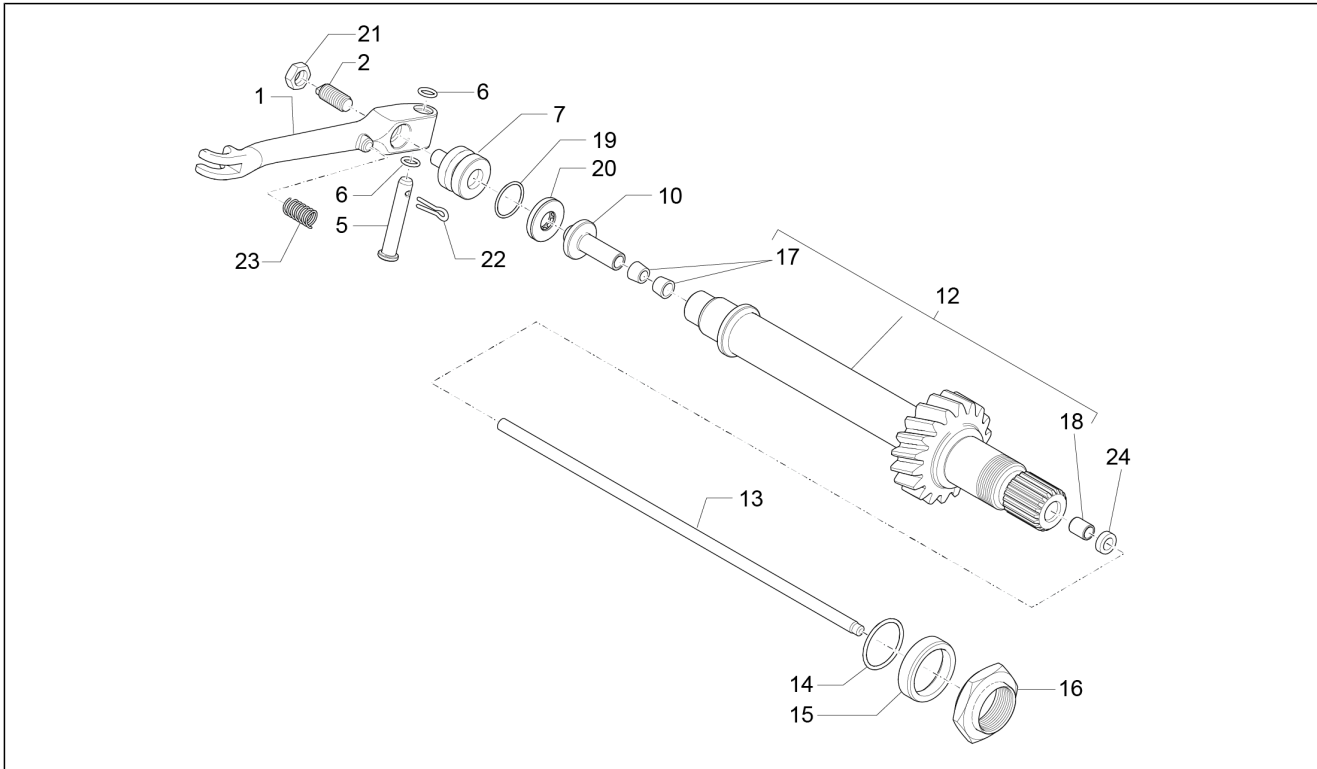
Pos.	Code	Description	Qty	Variants
1	GU19146422	Oil pump	1	
2	GU92252210	Roller bearing 10x22x20	1	
3	GU20147810	Oil pump shaft assy.	1	
4	GU20148410	Inner rotor	1	
5	GU20148610	Outer rotor	1	
6	GU92296723	Roller	1	
7	884039	Hex socket screw M6x35	3	
8	641541	Oil pressure sensor	1	
9	887093	Union	1	
10	GU19018920	Pin	2	
11	GU19152200	Oil filter	1	
12	GU98084314	Hex screw M6x14	1	
13	GU95187006	Plate	1	
14	GU27153085	Oil filter	1	
15	GU31159050	Cover	1	
16	GU18144350	Washer 18,25x24x1	3	
17	GU20147710	Pump gear	1	
18	AP8152220	Washer	1	
19	GU92602510	Nut M10x1,25	1	
20	GU31016050	Cover	1	
21	GU18161150	Gasket 14,25	1	
22	GU90706111	O-ring	1	
23	GU95008206	Washer 6,15x11x0,8	3	
24	GU94321079	Spring	1	
25	GU95100602	Gasket	1	
26	GU31159050	Piston	1	
27	GU95100309	Washer	1	

<b>Group</b>	ENGINE
<b>Code</b>	34.40
<b>Description</b>	Clutch I
<b>Service</b>	1



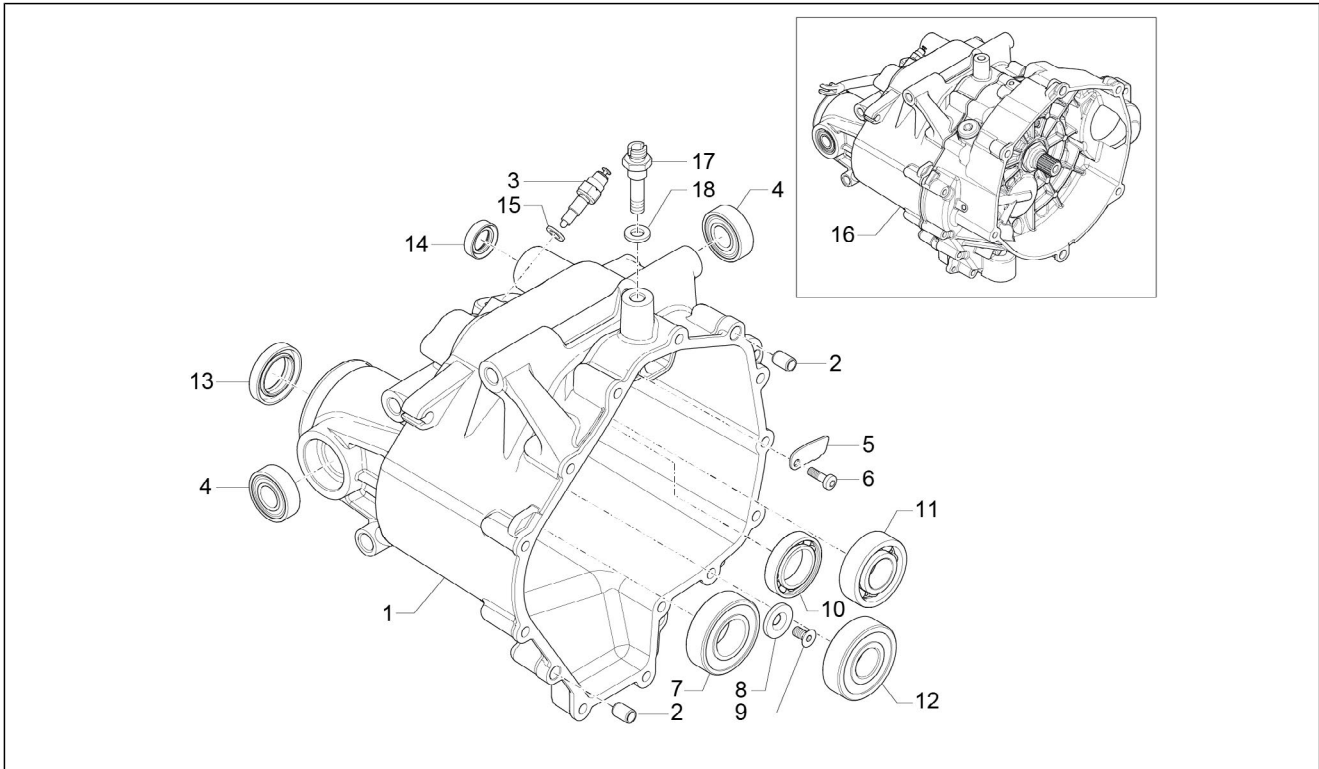
Pos.	Code	Description	Qty	Variants
1	2A0003794	Clutch drum	1	
2	886629	Gasket ring	1	
3	848650	Ball bearing 20x47x14	1	
4	GU92201226	Ball bearing 25x52x15	1	
5	B013608	Screw	4	
6	873928	Washer	3	
7	GU92201822	Ball bearing 20x52x15	1	
8	873905	Washer	1	
9	834764	Bearing	1	
10	GU12022600	Oil plug	1	
11	AP8150045	Hex socket screw M6x55	14	
12	B017406	O-ring 20.35x1.78	1	
13	B018020	Oil filter cpl.	1	
14	285536	O-ring 31,47x1,78	1	
15	B015598	Oil filter plug	1	
16	B018448	Oil pump assy.	1	
17	2A000241	Screw M5x16	2	
18	GU95008306	Washer 6,4x12x1,2	14	
19	GU32067910	Chain ring	1	
20	GU32084410	Driven clutch disc	1	
21	GU90272075	Snap ring	1	
22	GU19083462	New cup type	1	
23	GU32080310	Clutch	1	
24	884038	Hex screw M6x16	6	
25	GU14217901	Washer 6,4x10x0,7	6	
26	GU90706203	O-ring 20,24x2,62	1	
27	GU98680440	Hex socket screw M8x40	6	

<b>Group</b>	ENGINE
<b>Code</b>	34.41
<b>Description</b>	Clutch II
<b>Service</b>	1



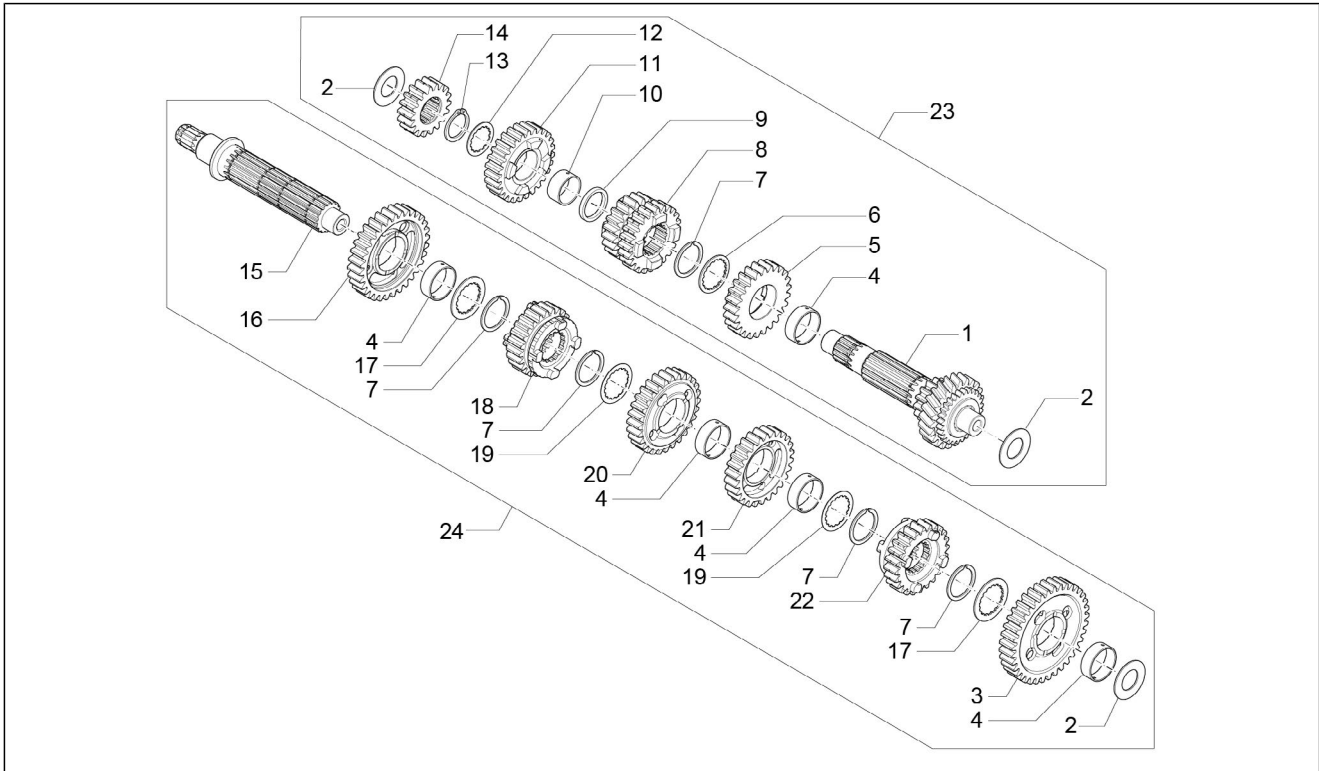
Pos.	Code	Description	Qty	Variants
1	2A000383	Clutch release shaft	1	
2	GU14090400	Adjuster screw	1	
5	2A000384	Lever pin	1	
6	2A000385	O-ring 6.5x1.5	2	
7	GU14086100	Outer body	1	
10	B013037	Clutch gear	1	
12	2A000204	Clutch shaft Z=18	1	
13	2A000216	Drive rod	1	
14	GU90706235	O-ring 23,52x1,78	1	
15	GU19213760	Spacer	1	
16	GU19356760	Nut	1	
17	GU14085900	Bush	2	
18	GU05217630	Bushing	1	
19	GU90706170	O-ring 17,13x2,62	1	
20	2A000376	Thrust bearing	1	
21	GU92606508	Nut	1	
22	GU95500222	Split pin	1	
23	GU94321105	Lever return spring	1	
24	2A000378	Gasket ring	1	

<b>Group</b>	ENGINE
<b>Code</b>	34.42
<b>Description</b>	Transmission cage
<b>Service</b>	1



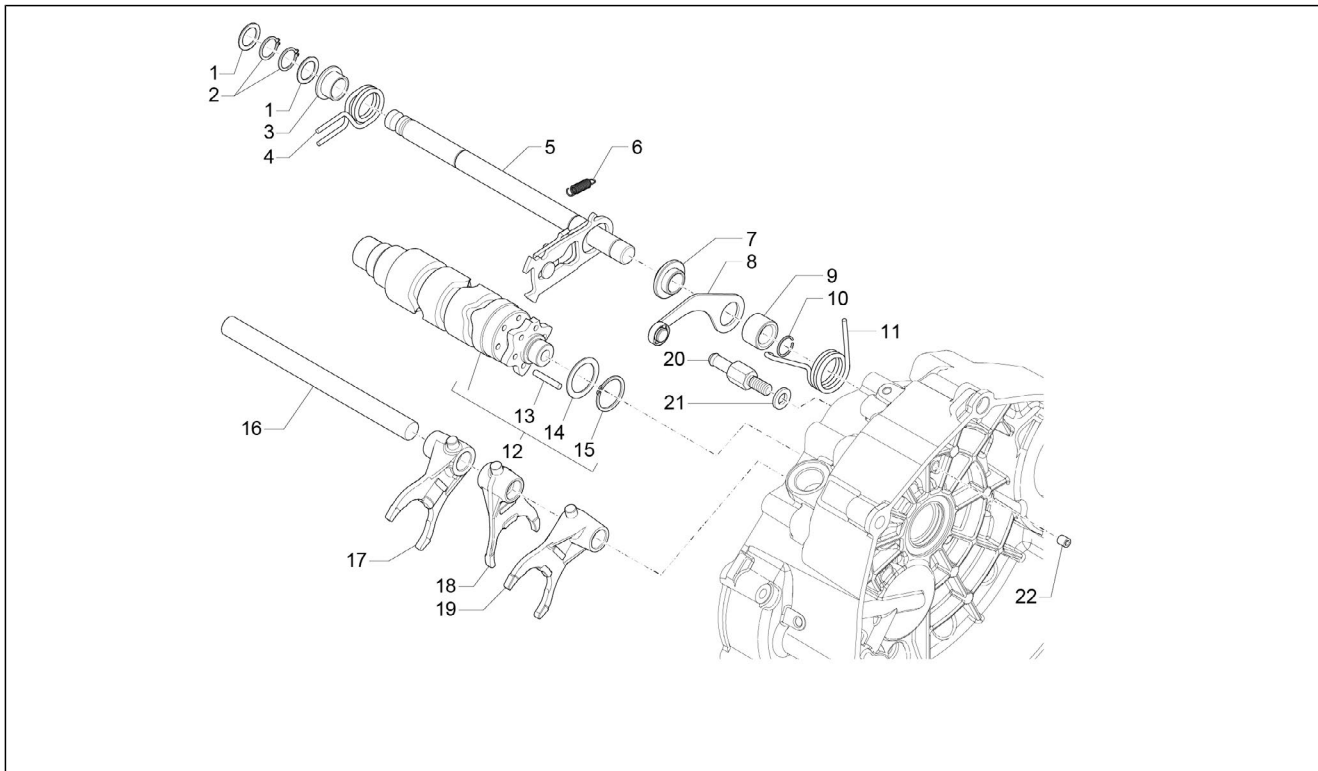
Pos.	Code	Description	Qty	Variants
1	2A000210	Transmission cage	1	
2	GU19002020	Bushing 6,6x9x13	2	
3	B063269	Sensor	1	
4	2A000097	Ball bearing 6202-2RSH/C3 LHT23	2	
5	2A000306	Lock plate	1	
6	2A000241	Screw M5x16	1	
7	GU92201226	Ball bearing 25x52x15	1	
8	873928	Washer	1	
9	B013608	Screw	1	
10	857250	Ball bearing 25x42x9	1	
11	2A000375	Ball bearing	1	
12	GU92201822	Ball bearing 20x52x15	1	
13	GU90412541	Gasket ring 25X40X7	1	
14	GU90401424	Gasket ring 14x24x7	1	
15	B063025	Gasket 8.7x14.2x1.3	1	
16	2A000196	Gear box assy	1	
17	2A000438	Breather plug	1	
18	GU01528930	Gasket 10x18x1,5	1	

<b>Group</b>	ENGINE
<b>Code</b>	34.43
<b>Description</b>	Gear box
<b>Service</b>	1



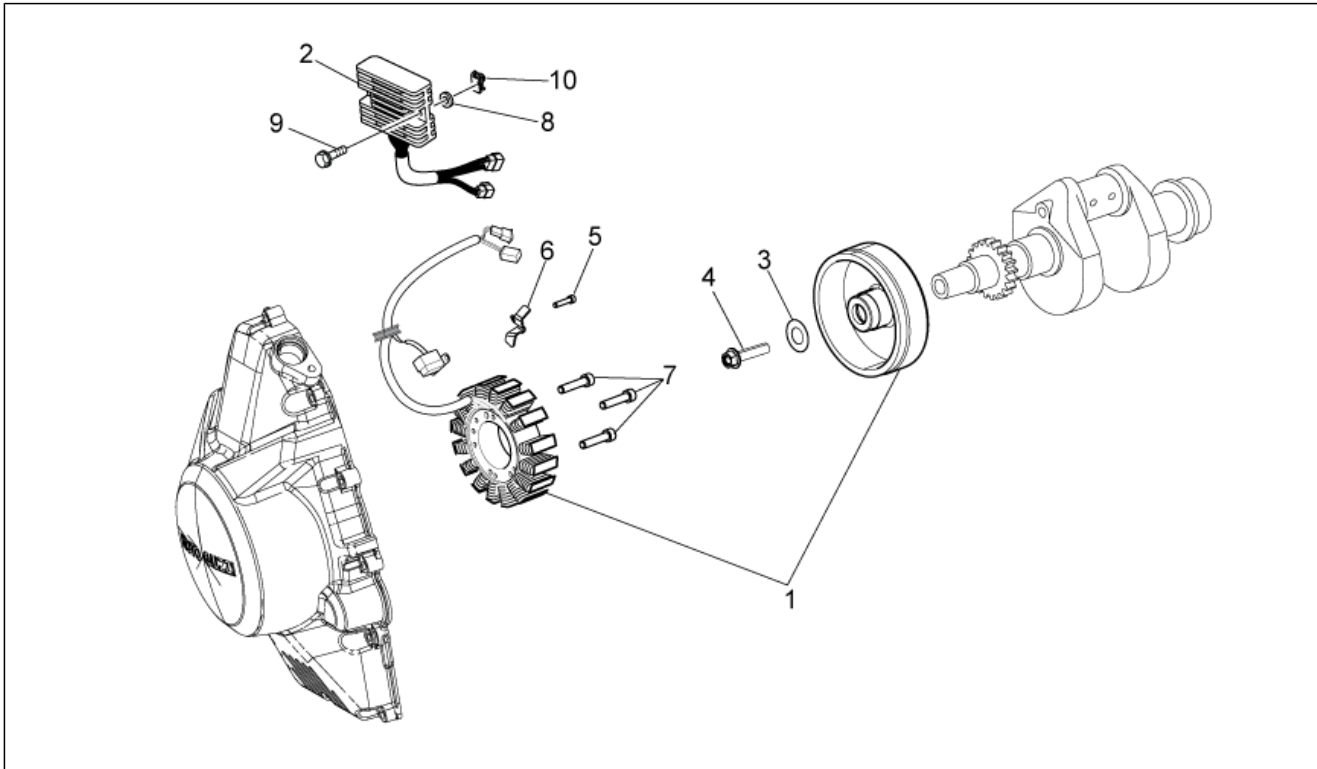
Pos.	Code	Description	Qty	Variants
1	2A000230	Primary gear shaft	1	
2	1A000566	Thrust washer	3	
3	B017470	1st gear	1	
4	849308	Moveable bush	5	
5	1A000360	Fifth speed gear	1	
6	849424	Clearance washer	1	
7	1A002604	Shaft snap ring	5	
8	1A000436	Sliding pinion 3a - 4a vel.	1	
9	B015040	Thrust washer	1	
10	974162	Moveable bush	1	
11	1A000361	6th pinion gear	1	
12	849396	Clearance washer	1	
13	974165	Snap ring	1	
14	1A000365	2nd pinion gear	1	
15	2A000203	Secondary gearbox shaft	1	
16	1A000366	Second speed gear Z=32	1	
17	849309	Clearance washer	2	
18	1A000370	Gear 6a Z=24	1	
19	849310	Clearance washer	2	
20	1A000367	Third speed gear Z=28	1	
21	1A000368	Fourth speed gear Z=26	1	
22	1A000369	Fifth speed gear Z=24	1	
23	2A000199	Primary shaft assy	1	
24	2A000202	Sec. shaft assy	1	

<b>Group</b>	ENGINE
<b>Code</b>	34.44
<b>Description</b>	Gear box selector
<b>Service</b>	1



Pos.	Code	Description	Qty	Variants
1	GU05239330	Fifth wheel	2	
2	GU90271014	Circlip	2	
3	2A000467	Spacer	1	
4	B063956	Spring	1	
5	2A000219	Preselection complete	1	
6	GU05238231	Spring	1	
7	GU05238431	Bushing	1	
8	B064112	Index assy. lever	1	
9	GU05234230	Spacer	1	
10	GU90353014	Circlip	1	
11	B064113	Index spring	1	
12	2A000222	Shift cam cpl.	1	
13	GU05234631	Pin	6	
14	GU05235531	Spacer	1	
15	GU90271022	Circlip	1	
16	2A000224	Rod	1	
17	2A000226	Fork 2-3 speed	2	
18	2A000227	5-6 gear fork	1	
19	2A000225	Fork for secondary shaft	1	
20	2A000415	Set screw	1	
20	2A000416	Set screw	1	
21	B063025	Gasket 8.7x14.2x1.3	1	
22	862560	Special nut	1	

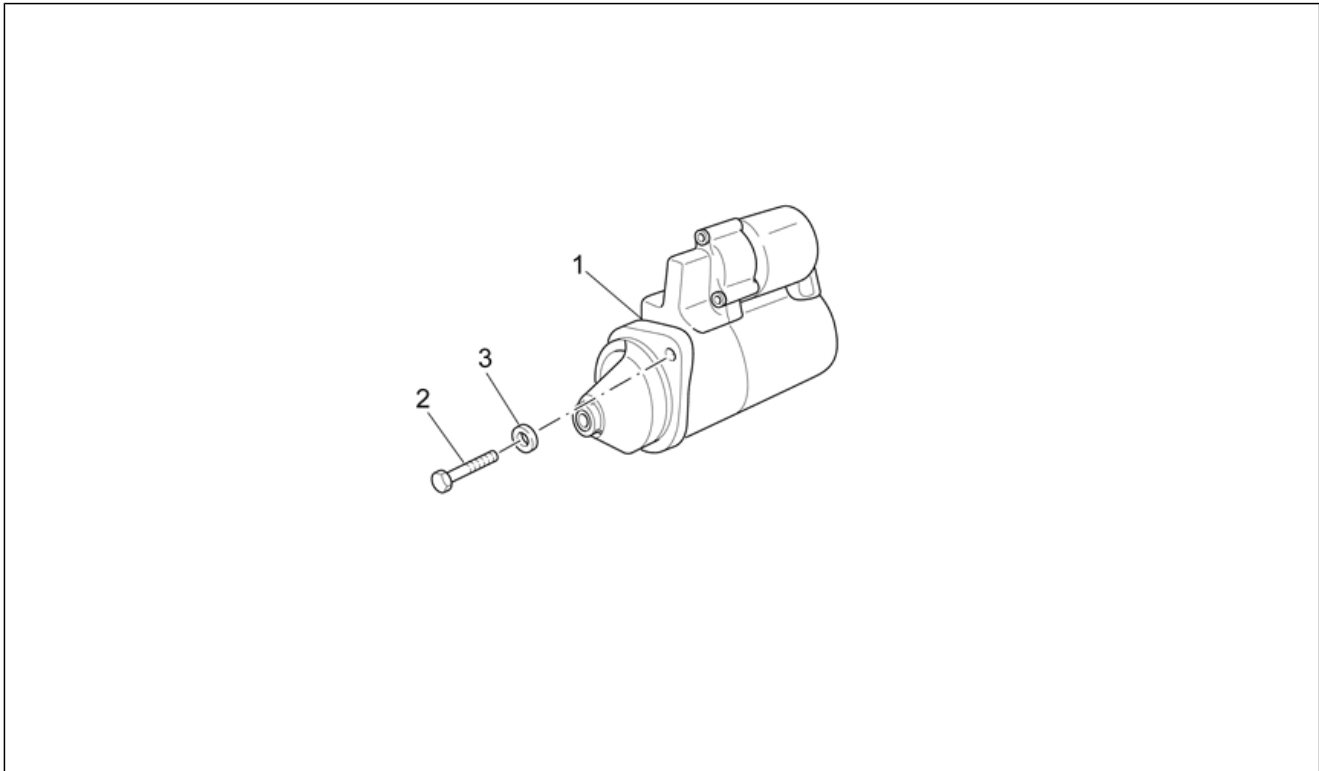
<b>Group</b>	ENGINE
<b>Code</b>	34.45
<b>Description</b>	Generator - Regulator
<b>Service</b>	1



Pos.	Code	Description	Qty	Variants
1	2D000024	Cdi magneto assy	1	
2	2D000043	Voltage regulator	1	
3	897478	Washer 12x26.5x3	1	
4	857206	Screw w/ flange M12X1,25X50	1	
5	GU98682212	Hex socket screw M5x12	1	
6	2A000115	Plate	1	
7	2A000129	Low head socket screw M6x35	3	
8	GU95100125	Washer	2	
9	AP8152281	Screw w/ flange M6x30	2	
10	254485	Spring plate M6	2	

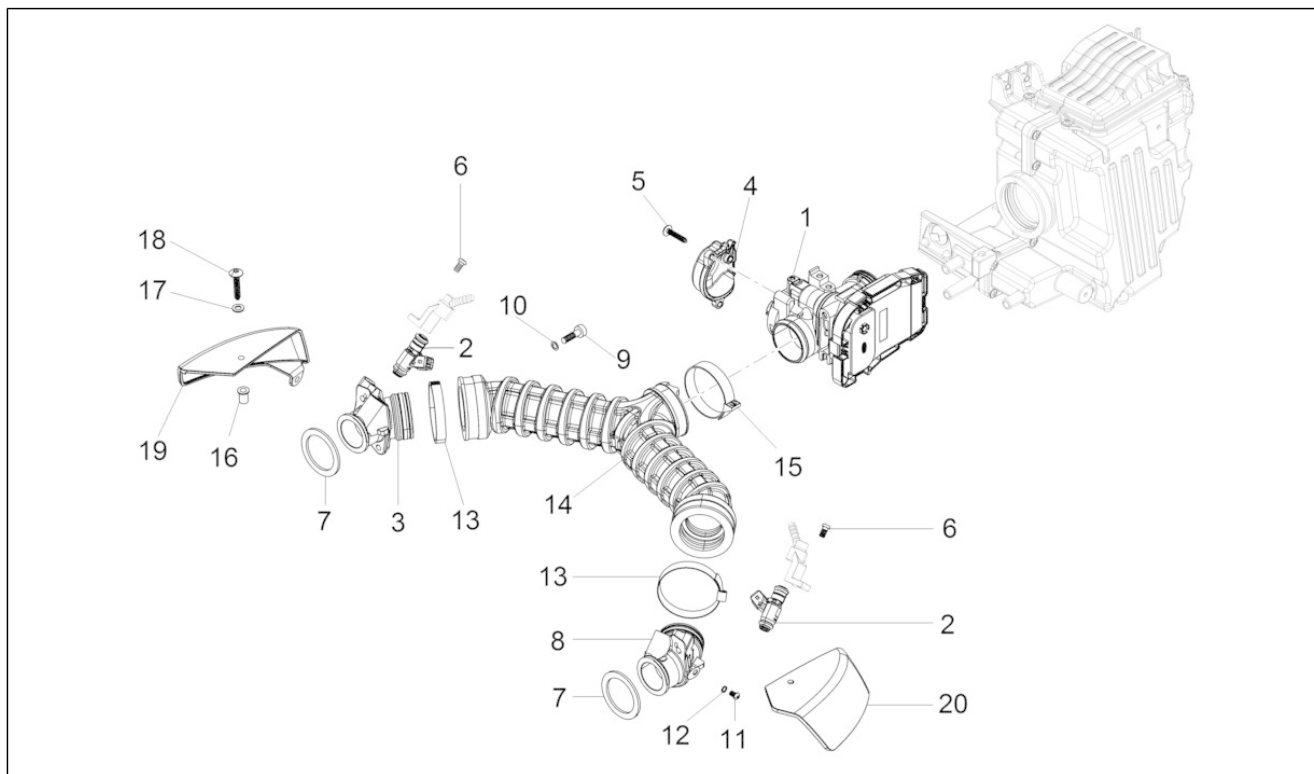


<b>Group</b>	ENGINE
<b>Code</b>	34.46
<b>Description</b>	Starter motor
<b>Service</b>	1



Pos.	Code	Description	Qty	Variants
1	GU05730730	Starter motor Bosch	1	
2	GU98682435	Hex socket screw	2	
3	GU95008208	Washer 8,4X15X1,5	2	

<b>Group</b>	ENGINE
<b>Code</b>	34.47
<b>Description</b>	Throttle body
<b>Service</b>	1



Pos.	Code	Description	Qty	Variants
1	CM228306	Electronic control unit ECU for injection	1	
2	B063049	Injector	2	
3	GU32115010	RH manifold	1	
4	880260	Throttle body Protection	1	
5	B016796	Torx convex big end screw	3	
6	AP8152298	Screw w/ flange M5x16	2	
7	GU32115510	Gasket	2	
8	GU32115011	LH manifold	1	
9	GU98622322	screw	4	
10	GU03013800	Washer 6,4x12	4	
11	884029	Hex socket screw M6x10	2	
12	GU95100116	Washer 6,25x10x1,5	2	
13	884311	Hose clamp D.61	2	
14	2B001031	Throttle body hose	1	
15	884310	Hose clamp D.55	1	
16	GU93231605	Antivibration bush	4	
17	GU30577800	Nylon washer 5,5X12X1	4	
18	GU98370515	screw	4	
19	2B000971	RH cover	1	
20	2B000972	LH cover	1	



PIAGGIO & C.s.p.a.



## SPARE PARTS CATALOGUE

### V7 II Stornello ABS 2016 (USA)

Chassis prefix: ZGULWUE0

Engine prefix:



## Index

Finished products.....	4
Alphanumeric index.....	5
FRAME.....	10
Table 33.01 - Frame I.....	10
Table 33.02 - Frame II.....	11
Table 33.03 - Lateral stand.....	12
Table 33.04 - Front footrests.....	13
Table 33.05 - Rear footrests.....	14
Table 33.06 - Gear lever.....	15
Table 33.07 - Front fork I.....	16
Table 33.08 - Fron fork II.....	17
Table 33.11 - Rear shock absorber.....	19
Table 33.12 - Fuel tank.....	20
Table 33.13 - Front body - Front mudguard.....	21
Table 33.14 - Saddle-Central bod.....	22
Table 33.15 - Rear body I- Mudguard.....	24
Table 33.16 - Rear body II- Plate holder.....	25
Table 33.17 - Dashboard.....	26
Table 33.18 - Handlebar - Controls.....	27
Table 33.19 - Front brake system.....	28
Table 33.21 - Fuel pump.....	29
Table 33.22 - Air box.....	30
Table 33.23 - Exhaust unit.....	31
Table 33.24 - Front wheel I.....	33
Table 33.25 - Rear wheel I.....	34
Table 33.26 - Rear master cylinder.....	35
Table 33.27 - Rear brake caliper.....	36
Table 33.28 - Front lights.....	37
Table 33.29 - Rear lights.....	38
Table 33.30 - Electrical system I.....	39
Table 33.31 - Electrical system II.....	40
Table 33.32 - Lock hardware kit.....	42
Table 33.33 - Decal and plate set.....	43
Table 33.36 - ABS Brake system.....	44
Table 33.48 - Fuel vapour recover system.....	45
ENGINE.....	46
Table 34.09 - Transmission complete I.....	46
Table 34.10 - Transmission complete II.....	47
Table 34.34 - Crank-case.....	50
Table 34.35 - Timing system cover.....	51
Table 34.36 - Cylinder head.....	52
Table 34.37 - Crankshaft cpl.....	53
Table 34.38 - Timing system.....	54



---

Table 34.39 - Oil pump.....	56
Table 34.40 - Clutch I.....	57
Table 34.41 - Clutch II.....	58
Table 34.42 - Transmission cage.....	59
Table 34.43 - Gear box.....	60
Table 34.44 - Gear box selector.....	61
Table 34.45 - Generator - Regulator.....	62
Table 34.46 - Starter motor.....	63
Table 34.47 - Throttle body.....	64



V 7  
GU134 - V7 II Stornello ABS 2016 (USA)

Chassis prefix: ZGULWUE0  
Engine prefix:

## Finished products

Code	Validity
GU9032116CAG00	
GU9032116CAG01	
GU9032116USG00	
GU9032116USG01	



Code	No. table	Pos.	Code	No. table	Pos.	Code	No. table	Pos.
	33.14	15	2B000671	33.18	1	2B003268	33.13	9
	33.14	25	2B000841	33.14	20	2B003391	33.23	1
	33.15	7	2B000842	33.14	21	2B003392	33.23	4
1A000360	34.43	5	2B000899	33.11	1	2B003393	33.23	2
1A000361	34.43	11	2B000909	33.12	14	2B003394	33.23	3
1A000365	34.43	14	2B001004	33.02	9	2D000006	33.32	10
1A000366	34.43	16	2B001008	33.02	8	2D000021	33.17	10
1A000367	34.43	20	2B001016	33.36	13	2D000022	33.17	9
1A000368	34.43	21	2B001031	34.47	11	2D000024	34.45	1
1A000369	34.43	22	2B001035	33.01	10	2D000043	34.45	2
1A000370	34.43	18	2B001048	33.18	24	2D000102	33.36	1
1A000436	34.43	8	2B001049	33.18	10	2D000108	33.30	1
1A000566	34.43	2	2B001088	33.03	2	2D000108	33.31	1
1A002604	34.43	7	2B001096	33.06	1	2D000202	33.31	27
1A005199	34.34	16	2B001138	33.18	25	2D000206	33.30	9
1C001499	33.03	9	2B001197	33.19	13	2D000207	33.30	6
248419	33.26	19	2B001199	33.19	1	2D000247	33.30	11
254485	33.22	14	2B001202	33.18	3	2G000074	33.33	7
254485	33.23	19	2B001204	34.36	28	2G000149	33.33	6
254485	33.28	20	2B001230	33.02	10	2G000150	33.33	12
254485	34.45	10	2B001300	33.18	2	2G000151	33.33	8
285536	34.40	14	2B001342	33.21	2	2H001362000XB3	33.12	1
2A000085	34.35	1	2B001425	33.07	1	2H001363	33.33	1
2A000097	34.42	4	2B001555	33.36	5	2H001364	33.33	2
2A0000995	34.37	1	2B001556	33.36	4	2L0002405	34.34	28
2A000115	34.45	6	2B001557	33.36	2	2Q000158	33.33	5
2A000129	34.45	7	2B001558	33.36	3	2R000109	33.08	29
2A000146	34.38	1	2B001561	33.24	22	2R000110	33.08	4
2A000147	34.38	2	2B001564	33.36	14	2R000243	33.08	15
2A000188	34.36	1	2B001570	33.36	21	2R000248	33.27	7
2A000189	34.36	2	2B001591	33.08	10	2R000275	33.04	4
2A000196	34.42	16	2B001597	33.26	13	2R000276	33.14	1
2A000199	34.43	23	2B001612	33.02	3	2R000277	33.26	2
2A000202	34.43	24	2B001614	33.36	15	2S000216	33.23	29
2A000203	34.43	15	2B001708	33.24	21	2S000222	33.14	29
2A000204	34.41	12	2B001748	33.29	1	2S000223	33.14	12
2A000210	34.42	1	2B001783	33.15	14	2S000234	33.13	6
2A000216	34.41	13	2B001926	33.19	9	2S000236	33.13	1
2A000219	34.44	5	2B001927	33.19	8	2S000237	33.15	1
2A000222	34.44	12	2B001928	33.19	6	2S000249	33.14	10
2A000224	34.44	16	2B001929	33.19	7	2S000250	33.14	9
2A000225	34.44	19	2B001941	33.06	8	2S000251	33.15	2
2A000226	34.44	17	2B001959	34.09	11	2S000252	33.15	3
2A000227	34.44	18	2B001988	33.14	28	2S000254	33.15	13
2A000230	34.43	1	2B001998	33.18	26	2S000255	33.15	12
2A0002355	34.34	1	2B002171	33.04	11	2S000430	33.23	5
2A000241	34.40	17	2B002171	33.05	14	2S000431	33.23	16
2A000241	34.42	6	2B002194	33.11	2	2S000432	33.23	26
2A000306	34.42	5	2B002261	33.48	17	2S000433	33.23	21
2A000375	34.42	11	2B002318	34.10	27	2S000434	33.23	10
2A000376	34.41	20	2B002319	34.10	27	2S000435	33.23	9
2A000378	34.41	24	2B002320	34.10	27	2S000436	33.23	6
2A0003794	34.40	1	2B002424	34.10	27	2S000437	33.23	8
2A000382	34.10	22	2B002425	34.10	27	2S000438	33.23	15
2A000383	34.41	1	2B002426	34.10	27	2S000440	33.23	27
2A000384	34.41	5	2B003026	33.01	1	2S0004985	33.16	6
2A000385	34.41	6	2B003027	33.02	2	584211	33.31	10
2A000415	34.44	20	2B003028	33.02	1	598839	33.15	15
2A000416	34.44	20	2B003029	33.01	12	624995	33.13	3
2A000438	34.42	17	2B003032	33.24	23	638733	33.31	6
2A000467	34.44	3	2B003033	33.25	25	641040	33.30	8
2B000225	33.25	22	2B003034	33.03	1	641541	34.39	8
2B000229	33.27	1	2B003037	33.05	13	641725	33.30	7
2B000276	33.36	22	2B003038	33.05	12	641901	33.30	4
2B000377	33.25	23	2B003051	33.17	8	642034	33.30	3
2B000508	33.26	14	2B003254	33.14	27	658816	33.23	12
2B000525	33.27	6	2B003267	33.13	8	658818	33.23	20



Code	No. table	Pos.	Code	No. table	Pos.	Code	No. table	Pos.
658830	33.13	5	887448	33.25	12	976941	34.09	1
658830	33.15	10	887481	33.30	12	977527	33.14	16
658837	33.26	11	887483	34.36	25	977527	33.32	4
831153	33.14	3	887523	34.36	9	978311	33.28	2
832029	33.30	14	887528	34.38	27	978415	33.14	7
834764	34.40	9	887762	33.24	11	978415	33.32	9
848650	34.40	3	887787	33.21	5	978969	33.26	3
849308	34.43	4	887815	33.22	13	981149	33.28	12
849309	34.43	17	8878421	33.22	1	AP8101594	33.26	20
849310	34.43	19	887843	33.22	2	AP8101595	33.12	10
849396	34.43	12	887844	33.22	11	AP8101861	33.05	7
849424	34.43	6	887845	33.22	12	AP8102159	33.48	6
854973	33.36	8	887852	33.18	4	AP8102375	33.14	14
855997	33.23	18	887853	33.18	5	AP8102375	33.23	7
856063	33.48	14	887875	33.24	19	AP8102375	33.31	14
857206	34.45	4	887878	33.08	1	AP8102520	33.22	27
857250	34.42	10	887879	33.08	2	AP8102524	33.03	4
859792	33.24	20	887880	33.08	3	AP8102678	33.48	1
859792	33.25	24	887882	33.08	5	AP8102688	33.48	2
860138	33.48	7	887883	33.08	6	AP8102766	33.22	23
860651	34.09	19	887884	33.08	7	AP8102798	33.14	11
862560	34.44	22	887885	33.08	8	AP8104509	33.18	9
873905	34.40	8	887886	33.08	9	AP8104525	33.22	5
873928	34.40	6	887888	33.08	11	AP8104924	33.22	4
873928	34.42	8	887889	33.08	12	AP8113003	33.19	15
874567	34.37	14	887890	33.08	13	AP8113003	33.36	7
880260	34.47	4	887891	33.08	14	AP8113004	33.19	14
883051	33.04	1	887893	33.08	16	AP8113004	33.36	6
883052	33.04	2	887894	33.08	17	AP8113241	33.26	22
883127	33.22	6	887895	33.08	18	AP8113288	33.26	16
883161	33.31	11	887896	33.08	19	AP8113553	33.26	23
883266	33.13	2	887898	33.08	21	AP8120030	33.36	10
883295	33.14	5	887899	33.08	22	AP8120246	34.09	10
883349	33.25	8	887900	33.08	23	AP8120311	33.01	13
883350	33.25	7	887901	33.08	24	AP8120416	33.30	18
883417	33.28	18	887902	33.08	25	AP8120416	33.31	19
883476	33.32	3	887903	33.08	26	AP8120416	33.48	11
883477	33.32	1	887904	33.08	27	AP8120446	33.48	9
883480	33.16	9	887905	33.08	28	AP8120455	33.22	9
883502	33.12	5	887910	33.26	1	AP8120459	33.15	4
883673	33.19	17	887911	33.26	24	AP8120531	33.14	18
883688	33.24	10	887912	33.08	30	AP8120557	33.12	11
883826	34.34	18	887913	33.08	31	AP8120573	33.04	9
884029	33.13	11	887914	33.08	32	AP8120573	33.05	9
884038	34.40	24	887915	33.08	33	AP8120615	33.22	10
884039	34.39	7	887916	33.08	34	AP8120772	33.22	20
884310	34.47	12	887944	33.12	1	AP8120876	33.22	8
884311	34.47	13	887948	33.30	13	AP8120912	33.06	2
886184	33.04	3	887952	33.26	27	AP8121014	33.03	3
886185	33.04	10	890760	33.22	16	AP8121032	33.15	16
886365	34.34	10	890979	33.28	16	AP8121032	33.17	7
886629	34.40	2	894505	33.25	13	AP8121133	33.05	6
886645	33.01	11	894704	33.31	26	AP8121267	33.48	10
886658	33.33	3	895709	33.36	18	AP8121307	33.07	4
886659	33.33	4	896110	33.23	22	AP8121375	33.03	2
886670	34.37	11	897478	34.45	3	AP8121420	33.14	6
886727	33.14	19	898086	33.07	7	AP8121420	33.32	8
886820	33.14	22	898164	33.11	3	AP8121673	33.12	12
887002	34.36	10	898283	33.06	4	AP8124718	33.16	7
887003	34.35	2	959559	33.36	16	AP8124936	33.30	2
887004	34.34	13	967356	33.03	6	AP8127856	33.03	8
887093	34.39	9	969973	34.36	26	AP8134451	33.05	5
887195	33.17	1	974162	34.43	10	AP8144007	33.26	4
8872690001	34.37	10	974165	34.43	13	AP8144071	34.36	23
8872690002	34.37	10	976604	34.34	12	AP8144081	33.07	5
8872690003	34.37	10	976608	34.10	1	AP8144146	33.07	3
887279	34.36	24	976898	34.36	20	AP8144553	33.22	7





Code	No. table	Pos.	Code	No. table	Pos.	Code	No. table	Pos.
AP8144606	33.13	13	B017406	34.40	12	GU03102400	33.12	2
AP8144606	33.13	7	B017470	34.43	3	GU03103200	33.12	8
AP8144729	33.22	17	B018020	34.40	13	GU03103500	33.12	4
AP8149034	33.16	4	B018448	34.40	16	GU03163330	33.31	3
AP8150015	33.36	12	B043850	33.31	23	GU03609600	33.18	14
AP8150032	33.23	23	B045974	33.33	9	GU03612040	33.24	16
AP8150045	34.40	11	B063016	34.37	13	GU03631250	33.24	4
AP8150178	33.24	17	B063025	34.42	15	GU03631250	33.25	9
AP8150248	33.16	2	B063025	34.44	21	GU03658201	33.36	20
AP8150349	33.32	6	B063049	34.47	2	GU03658330	33.36	17
AP8150377	33.28	13	B063077	33.24	5	GU03740930	33.29	2
AP8150378	33.15	8	B063078	33.25	11	GU03749845	33.19	5
AP8150380	33.15	9	B063099	34.36	19	GU03922280	34.09	23
AP8150430	33.13	12	B063111	34.36	6	GU05107430	33.21	3
AP8150430	33.15	11	B063132	33.04	5	GU05217630	34.41	18
AP8150436	33.02	12	B063135	33.18	6	GU05234230	34.44	9
AP8150451	33.36	19	B063144	33.24	3	GU05234631	34.44	13
AP8150509	33.22	19	B063233	33.31	5	GU05235531	34.44	14
AP8150521	33.23	13	B063269	34.42	3	GU05238231	34.44	6
AP8152043	33.19	4	B063287	33.01	4	GU05238431	34.44	7
AP8152220	33.02	11	B063429	33.14	23	GU05239330	34.44	1
AP8152220	34.39	18	B063431	33.14	24	GU05659230	33.19	10
AP8152268	33.16	3	B063443	33.26	26	GU05730730	34.46	1
AP8152273	33.21	4	B063465	34.37	15	GU05781630	33.16	1
AP8152277	33.04	7	B063466	34.37	16	GU06740400	33.28	17
AP8152277	33.05	8	B063702	33.24	1	GU10528900	34.34	15
AP8152279	33.36	11	B063704	33.25	1	GU12003702	34.34	20
AP8152281	34.45	9	B063735	33.28	14	GU12022600	34.10	6
AP8152282	33.31	7	B063735	33.29	6	GU12022600	34.40	10
AP8152288	33.27	4	B063752	33.21	1	GU12154200	34.34	23
AP8152298	33.26	18	B063800	33.28	4	GU13021900	34.34	26
AP8152298	34.47	6	B063800	33.29	4	GU13021900	34.36	12
AP8152299	33.15	17	B063801	33.28	5	GU14085900	34.41	17
AP8152299	33.30	5	B063801	33.29	5	GU14086100	34.41	7
AP8152299	33.48	5	B063956	34.44	4	GU14090400	34.41	2
AP8152306	33.16	5	B063975	33.18	15	GU14217901	34.40	25
AP8152329	33.22	18	B064112	34.44	8	GU14609650	33.30	10
AP8152329	33.22	24	B064113	34.44	11	GU14609650	33.31	19
AP8152350	33.01	16	CM001928	33.07	8	GU14615901	33.05	15
AP8152385	33.19	16	CM001929	33.07	9	GU14615901	34.09	20
AP8157100	33.33	10	CM013202	33.31	25	GU14615901	34.37	5
AP8161054	33.22	15	CM225705	33.31	15	GU14616150	33.24	15
AP8163165	33.23	30	CM225710	33.31	16	GU14616150	33.25	10
AP8181140	33.31	24	CM225715	33.31	17	GU18144350	34.39	16
AP8201358	33.22	3	CM225720	33.31	20	GU18161150	34.39	21
AP8201358	33.48	13	CM225730	33.31	18	GU18257551	33.26	8
AP8201358	34.36	27	CM228306	34.47	1	GU19002020	34.35	5
AP8213028	33.18	23	CM228401	33.04	8	GU19002020	34.42	2
AP8213057	33.26	15	CM228401	33.05	4	GU19003800	34.34	8
AP8213388	33.18	18	CM258303	33.22	22	GU19015020	34.34	5
AP8220283	33.31	22	GU00823923140	33.03	7	GU19017000	33.02	4
AP8220460	33.07	6	GU00823923140	33.48	12	GU19018920	34.39	10
AP8221023	33.22	25	GU00823931055	33.28	19	GU19021360	34.36	18
AP8221023	33.36	9	GU00823944050	33.12	13	GU19021920	34.36	7
AP8221114	33.48	16	GU00823950050	33.26	21	GU19025280	33.23	17
AP8221197	33.03	5	GU01528930	34.10	9	GU19027500	34.38	15
AP8221277	33.04	6	GU01528930	34.42	18	GU19030500	34.38	7
AP8224462	33.31	21	GU01609630	33.18	14	GU19032080	34.38	10
AP8257609	33.33	11	GU01659130	33.19	11	GU19032980	34.36	17
AP8706087	33.14	26	GU01659131	33.19	12	GU19032980	34.38	14
B005310	33.14	13	GU01665410	33.26	25	GU19034000	34.38	8
B013037	34.41	10	GU03013800	33.06	7	GU19037820	34.36	8
B013608	34.40	5	GU03013800	34.47	10	GU19045861	34.38	25
B013608	34.42	9	GU03067730	34.10	19	GU19055700	34.38	23
B015040	34.43	9	GU03101600	33.12	7	GU19058021	34.38	19
B015598	34.40	15	GU03101900	33.12	3	GU19058220	34.38	20
B016796	34.47	5	GU03102200	33.12	6	GU19062261	34.37	4

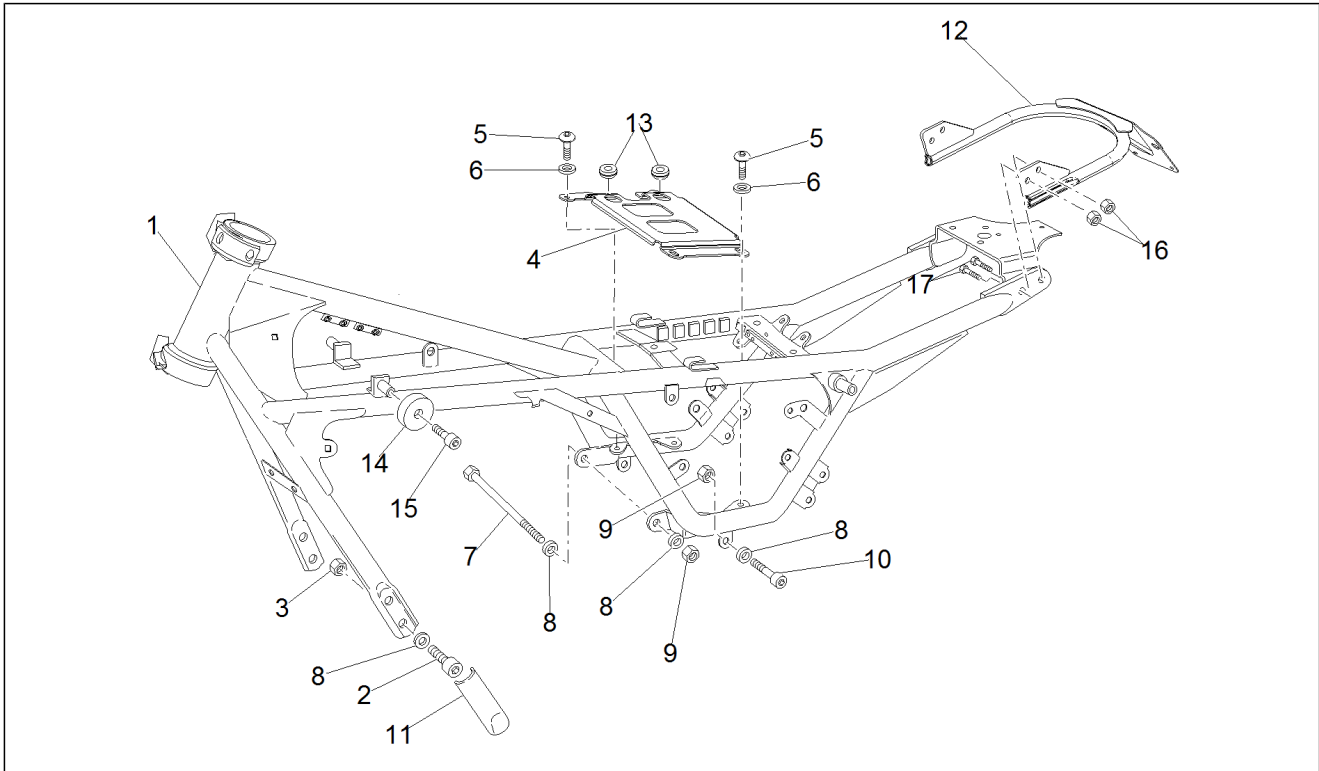


Code	No. table	Pos.	Code	No. table	Pos.	Code	No. table	Pos.
GU19065400	34.37	2	GU27066460	34.37	9	GU32634160	33.27	5
GU19067700	34.37	18	GU27066560	34.37	8	GU32636160	33.25	21
GU19083462	34.40	22	GU27152885	34.34	22	GU32692260	33.25	2
GU19146422	34.39	1	GU27153085	34.39	14	GU32735510	33.32	5
GU19152200	34.39	11	GU27633910	33.25	4	GU32747910	33.31	9
GU19206501	34.10	10	GU28157950	33.48	8	GU32753410	33.28	3
GU19213760	34.41	15	GU28612033	33.25	18	GU32753410	33.29	8
GU19327601	34.09	5	GU29729461	33.31	2	GU32781910	33.16	10
GU19328801	34.09	3	GU29759150	33.18	17	GU32782510	33.32	2
GU19350700	34.10	22	GU30577800	33.29	13	GU32999010	34.34	25
GU19351100	34.10	4	GU30601060	33.18	13	GU32999510	34.34	24
GU19351900	34.10	2	GU30602500	33.18	22	GU35214300	34.09	13
GU19352300	34.10	23	GU30630430	33.25	26	GU49609601	33.30	19
GU19353500	34.10	24	GU31003766	34.10	8	GU49609601	33.31	19
GU19355200	34.10	35	GU31003766	34.34	14	GU61027200	34.37	12
GU19355202	34.10	36	GU31016050	34.39	20	GU61036801	34.36	3
GU19355300	34.10	33	GU31037015	34.38	13	GU61038100	34.38	6
GU19355301	34.10	33	GU31038015	34.38	5	GU61054900	34.38	18
GU19355302	34.10	33	GU31045015	34.38	26	GU61270300	34.10	26
GU19355303	34.10	33	GU31112965	33.22	26	GU61270300	34.34	6
GU19355304	34.10	33	GU31150950	34.39	26	GU61270300	34.36	21
GU19355305	34.10	33	GU31159050	34.39	15	GU66103415	33.01	14
GU19355306	34.10	33	GU31327783	34.09	2	GU90271014	34.44	2
GU19355307	34.10	33	GU31439565	33.13	4	GU90271018	34.38	12
GU19355308	34.10	33	GU31513480	33.08	20	GU90271022	34.44	15
GU19355309	34.10	33	GU31544181	33.27	3	GU90272023	34.09	4
GU19355320	34.10	27	GU31544181	34.09	15	GU90272075	34.40	21
GU19355321	34.10	27	GU31547882	34.09	14	GU90353009	34.36	4
GU19355322	34.10	27	GU31610160	33.24	24	GU90353014	34.44	10
GU19355323	34.10	27	GU31614183	33.24	9	GU90353029	34.38	24
GU19355324	34.10	27	GU31615283	33.24	6	GU90353030	34.10	17
GU19355325	34.10	27	GU31616384	33.24	12	GU90401424	34.42	14
GU19355326	34.10	27	GU31634281	33.27	2	GU90402538	33.25	6
GU19355327	34.10	27	GU31634481	33.25	15	GU90402642	33.24	8
GU19355328	34.10	27	GU31659181	33.27	9	GU90403251	34.10	38
GU19355329	34.10	27	GU31659281	33.27	8	GU90403549	34.10	3
GU19355400	34.10	21	GU31740383	33.28	11	GU90407591	34.10	15
GU19355402	34.10	21	GU32032310	34.38	11	GU90412541	34.42	13
GU19355404	34.10	21	GU32053410	34.38	16	GU90706076	34.34	9
GU19355406	34.10	21	GU32054510	34.38	17	GU90706111	34.39	22
GU19355408	34.10	21	GU32067910	34.40	19	GU90706141	33.30	17
GU19355410	34.10	21	GU32080310	34.40	23	GU90706170	34.41	19
GU19355411	34.10	21	GU32084410	34.40	20	GU90706188	34.10	29
GU19355412	34.10	21	GU32115010	34.47	3	GU90706203	34.10	7
GU19355413	34.10	21	GU32115011	34.47	8	GU90706203	34.40	26
GU19356700	34.10	30	GU32115510	34.47	7	GU90706235	34.41	14
GU19356760	34.41	16	GU32350410	34.10	13	GU90706281	34.34	19
GU19356801	34.10	28	GU32351410	34.10	16	GU90706444	34.34	17
GU19357660	34.10	25	GU32354610	34.10	18	GU90706584	34.10	37
GU19547000	34.09	12	GU32439260	33.48	3	GU91181003	33.18	11
GU20147710	34.39	17	GU32441210	33.05	3	GU91181003	33.19	3
GU20147810	34.39	3	GU32442310	33.05	1	GU91551010	33.22	21
GU20148410	34.39	4	GU32442710	33.05	10	GU92201070	34.10	14
GU20148610	34.39	5	GU32443210	33.05	2	GU92201226	34.40	4
GU20258221	33.06	9	GU32443211	33.05	11	GU92201226	34.42	7
GU20352421	34.10	31	GU32461610	33.14	2	GU92201822	34.40	7
GU20355121	34.10	34	GU32506360	33.28	1	GU92201822	34.42	12
GU23217800	34.38	3	GU32517710	33.31	8	GU92204217	33.25	5
GU23328081	34.09	7	GU32555210	33.11	4	GU92204218	33.25	3
GU23548080	34.09	8	GU32555211	33.11	5	GU92204221	33.24	7
GU23548180	34.09	9	GU32603010	33.18	16	GU92249220	34.10	32
GU23943410	33.08	35	GU32603310	33.18	7	GU92249225	33.07	2
GU27037521	34.38	4	GU32613160	33.24	2	GU92249227	34.10	20
GU27061585	34.37	3	GU32615660	33.24	14	GU92252210	34.39	2
GU27061885	34.37	17	GU32632510	33.25	17	GU92252235	34.10	5
GU27062060	34.37	6	GU32633360	33.25	14	GU92296723	34.39	6
GU27065660	34.37	7	GU32633560	34.10	11	GU92602406	34.38	9



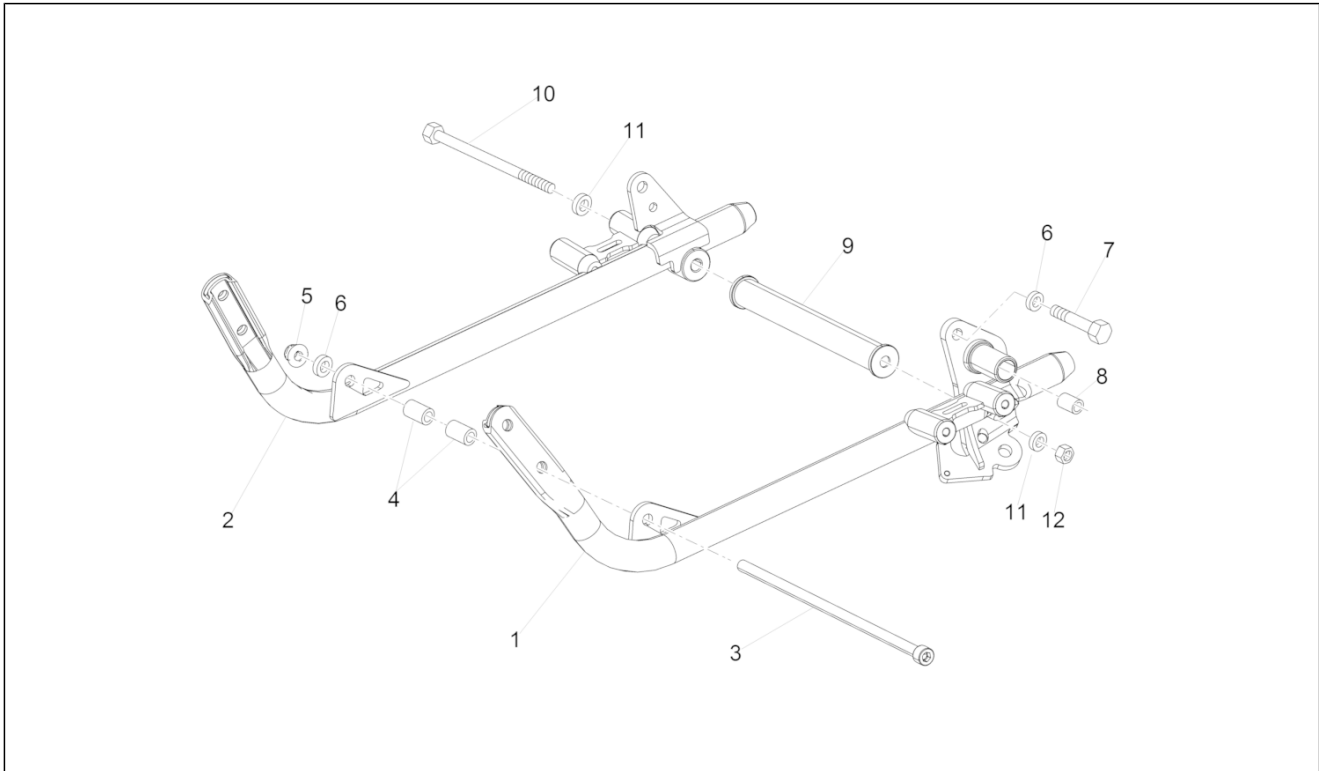
Code	No. table	Pos.	Code	No. table	Pos.
GU92602510	34.39	19	GU95129260	33.06	3
GU92603010	34.36	11	GU95187006	34.39	13
GU92606206	33.17	6	GU95500221	33.26	10
GU92606208	34.34	7	GU95500222	34.41	22
GU92606210	33.01	9	GU96451430	34.34	3
GU92606210	33.02	5	GU96451560	34.34	2
GU92606210	33.11	7	GU96506042	34.36	5
GU92606210	34.09	18	GU96508055	34.10	12
GU92606316	33.25	16	GU96508055	34.34	4
GU92606508	34.41	21	GU96510181	34.36	15
GU92609007	33.26	12	GU96510214	34.36	14
GU92630204	33.16	8	GU97202325	33.18	12
GU92630206	33.26	6	GU98054422	34.38	28
GU92630207	33.24	18	GU98082565	33.02	7
GU92630510	33.01	3	GU98084314	34.39	12
GU92630707	33.06	5	GU98084425	33.01	17
GU92660021	33.26	7	GU98110199	33.01	7
GU92787006	33.28	6	GU98230510	33.18	19
GU92787006	33.29	11	GU98230512	33.15	6
GU93180105	33.13	10	GU98230525	33.14	8
GU93180105	34.09	21	GU98350215	33.29	12
GU93180111	33.24	13	GU98350416	33.01	5
GU93180245	34.36	22	GU98370515	33.14	17
GU93222023	33.17	4	GU98370520	33.23	11
GU93231605	33.29	14	GU98370520	33.23	25
GU93301313	33.48	15	GU98370609	33.17	2
GU93450105	33.28	9	GU98370619	33.23	24
GU93450126	33.28	15	GU98370621	33.15	5
GU93450126	33.29	7	GU98370625	33.14	4
GU93450224	33.29	3	GU98370625	33.26	17
GU93450232	33.28	10	GU98370655	33.28	7
GU94321079	34.39	24	GU98370655	33.29	9
GU94321099	34.09	6	GU98612216	33.25	19
GU94321105	34.41	23	GU98622322	34.47	9
GU95005306	33.17	3	GU98632322	33.06	6
GU95005308	33.26	9	GU98680440	34.40	27
GU95005308	33.28	23	GU98680545	34.09	16
GU95005308	34.09	22	GU98682212	33.30	15
GU95005310	33.26	5	GU98682212	33.31	12
GU95005311	33.48	4	GU98682212	34.45	5
GU95005320	33.23	14	GU98682312	33.25	20
GU95008205	33.30	16	GU98682325	34.34	11
GU95008206	34.39	23	GU98682325	34.35	3
GU95008208	33.01	6	GU98682330	34.35	4
GU95008208	34.46	3	GU98682414	33.01	15
GU95008210	33.01	8	GU98682416	33.32	7
GU95008210	33.02	6	GU98682430	33.12	9
GU95008210	33.31	4	GU98682435	34.46	2
GU95008210	34.09	17	GU98682530	33.01	2
GU95008305	33.18	20	GU98690335	33.18	8
GU95008306	34.40	18	GU98692325	34.36	16
GU95020105	33.03	10	GU98692414	33.17	11
GU95021104	33.19	2	GU98692420	33.23	28
GU95021105	33.18	21	GU98692420	33.28	22
GU95021206	33.17	5	GU98880540	33.28	21
GU95021206	33.28	8	GU98882316	34.38	21
GU95021206	33.29	10			
GU95100059	33.31	13			
GU95100125	34.45	8			
GU95100244	34.38	29			
GU95100309	34.39	27			
GU95100602	34.39	25			
GU95100709	34.34	21			
GU95129115	34.38	22			
GU95129180	34.34	27			
GU95129180	34.36	13			
GU95129181	33.11	6			

<b>Group</b>	FRAME
<b>Code</b>	33.01
<b>Description</b>	Frame I
<b>Service</b>	1



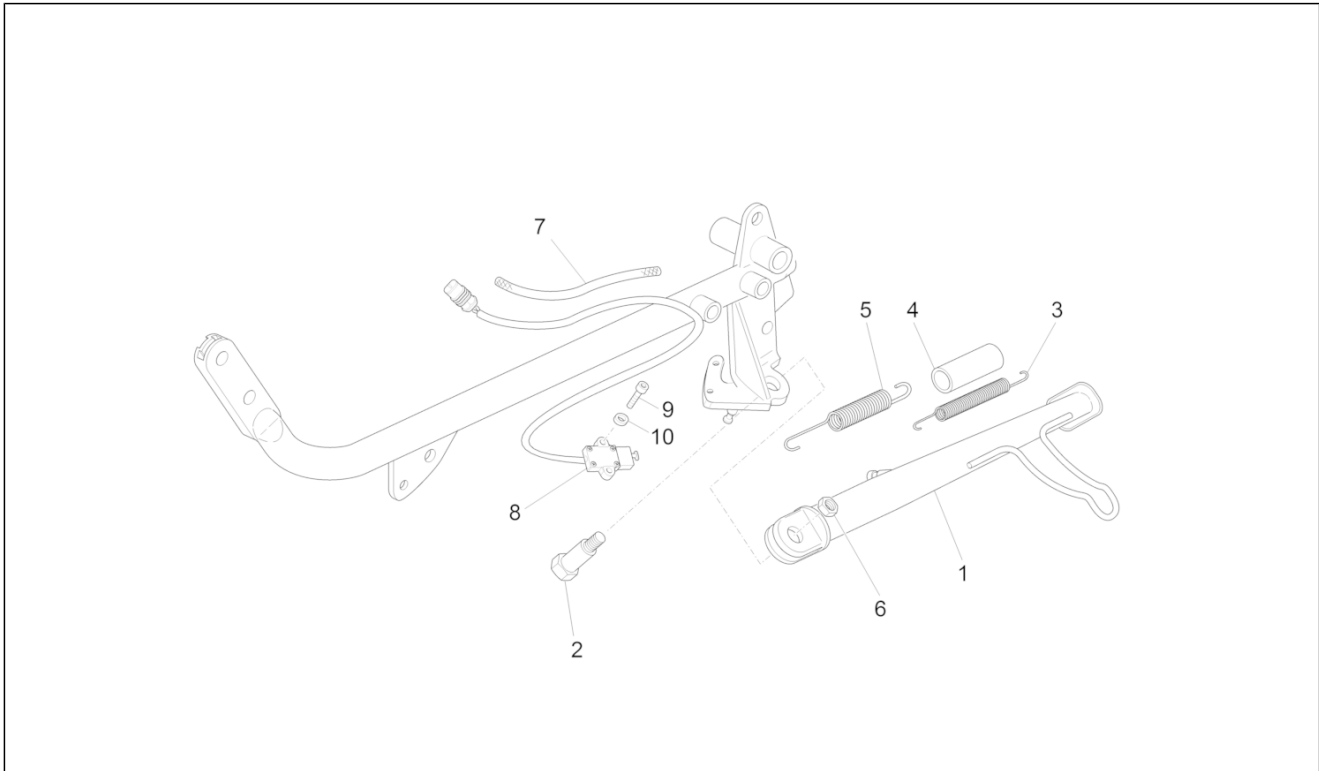
Pos.	Code	Description	Qty	Variants
1	2B003026	Frame, red	1	
2	GU98682530	Hex socket screw M10x30	4	
3	GU92630510	Nut M10x1,5	4	
4	B063287	Frame union plate	1	
5	GU98350416	Hex socket screw M8x16	4	
6	GU95008208	Washer 8,4X15X1,5	4	
7	GU98110199	Pin M10x205	1	
8	GU95008210	Washer 10,2X18X2	11	
9	GU92606210	Nut M10x1,5	3	
10	2B001035	Pin 234X10	2	
11	886645	Plate	2	
12	2B003029	Rear bow	1	
13	AP8120311	Rubber spacer	2	
14	GU66103415	Rubber spacer	2	
15	GU98682414	Hex socket screw	2	
16	AP8152350	Nut	2	
17	GU98084425	Hex screw M8x25	4	

<b>Group</b>	FRAME
<b>Code</b>	33.02
<b>Description</b>	Frame II
<b>Service</b>	1



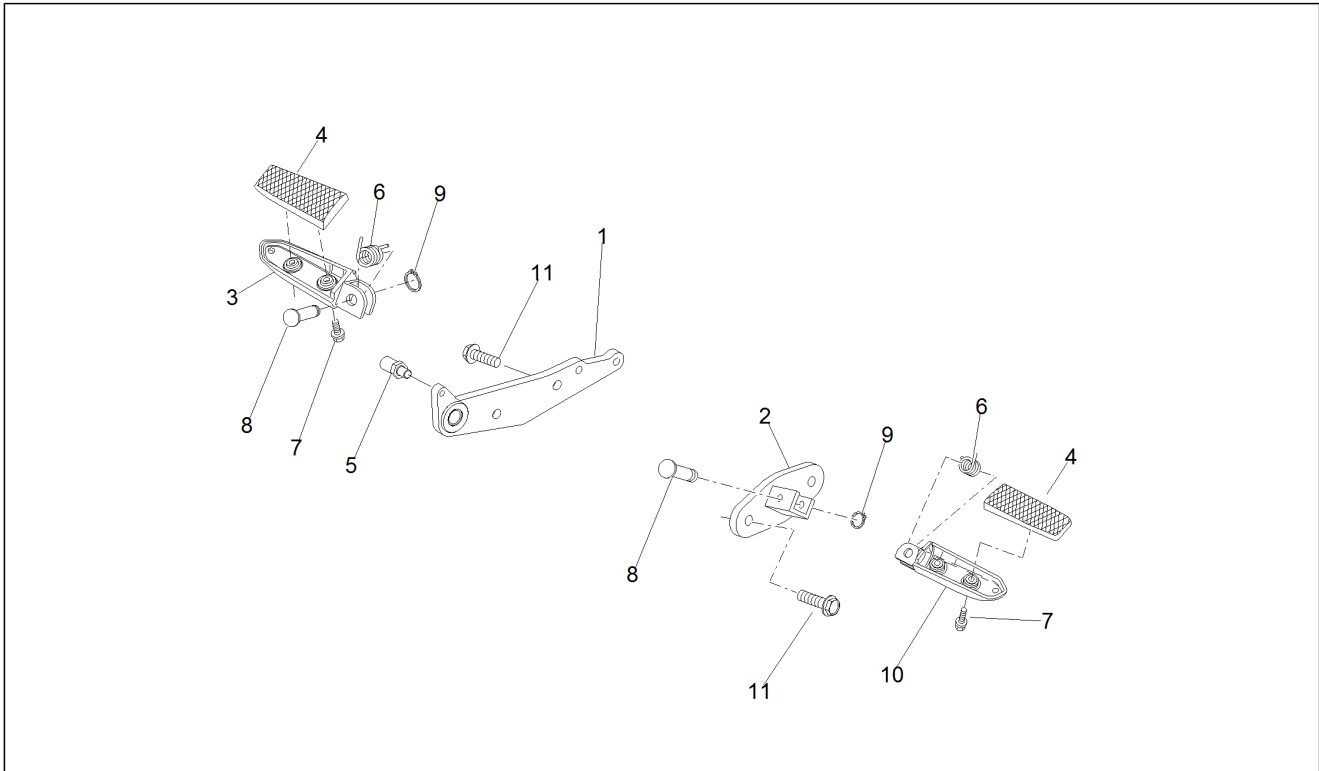
Pos.	Code	Description	Qty	Variants
1	2B003028	LH cradle arm	1	
2	2B003027	RH cradle arm	1	
3	2B001612	Pin M10X253	1	
4	GU19017000	Bushing	2	
5	GU92606210	Nut M10x1,5	3	
6	GU95008210	Washer 10,2X18X2	3	
7	GU98082565	screw M10x65	2	
8	2B001008	Bush	1	
9	2B001004	Crosspiece	1	
10	2B001230	Pin 278X10	1	
11	AP8152220	Washer	2	
12	AP8150436	Low self-locking nut	1	

<b>Group</b>	FRAME
<b>Code</b>	33.03
<b>Description</b>	Lateral stand
<b>Service</b>	1



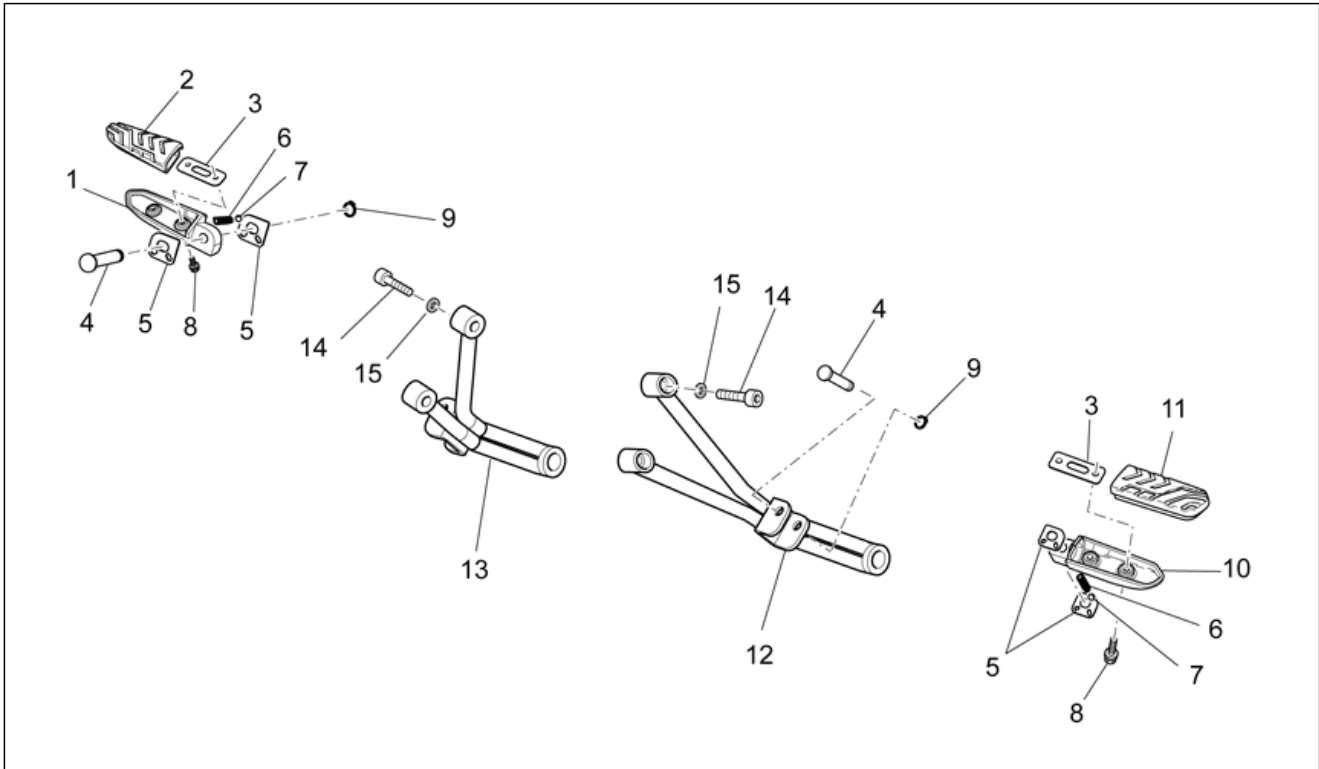
Pos.	Code	Description	Qty	Variants
1	2B003034	Lateral stand	1	
2	2B001088	Stand pin	1	
2	AP8121375	Central stand fixing screw	1	
3	AP8121014	Coil pull spring	1	
4	AP8102524	Stand spring protection	1	
5	AP8221197	Lateral stand spring	1	
6	967356	Flanged nut M10x1,25	1	
7	GU00823923140	Thermal sheath	1	
8	AP8127856	Lateral stand switch	1	
9	1C001499	TBEI TORX screw M5x16 INOX	2	
10	GU95020105	Washer 5,3x8,9x2,4	2	

<b>Group</b>	FRAME
<b>Code</b>	33.04
<b>Description</b>	Front footrests
<b>Service</b>	1



Pos.	Code	Description	Qty	Variants
1	883051	RH foot rest support	1	
2	883052	LH footrest support	1	
3	886184	RH Foot rests	1	
4	2R000275	Driver's footpeg	2	
5	B063132	Limit stop	1	
6	AP8221277	Footrest return spring	2	
7	AP8152277	Screw w/ flange M6x12	4	
8	CM228401	Footrest pin	2	
9	AP8120573	Stop ring	2	
10	886185	LH Foot rests	1	
11	2B002171	Special cap screw 8x25	4	

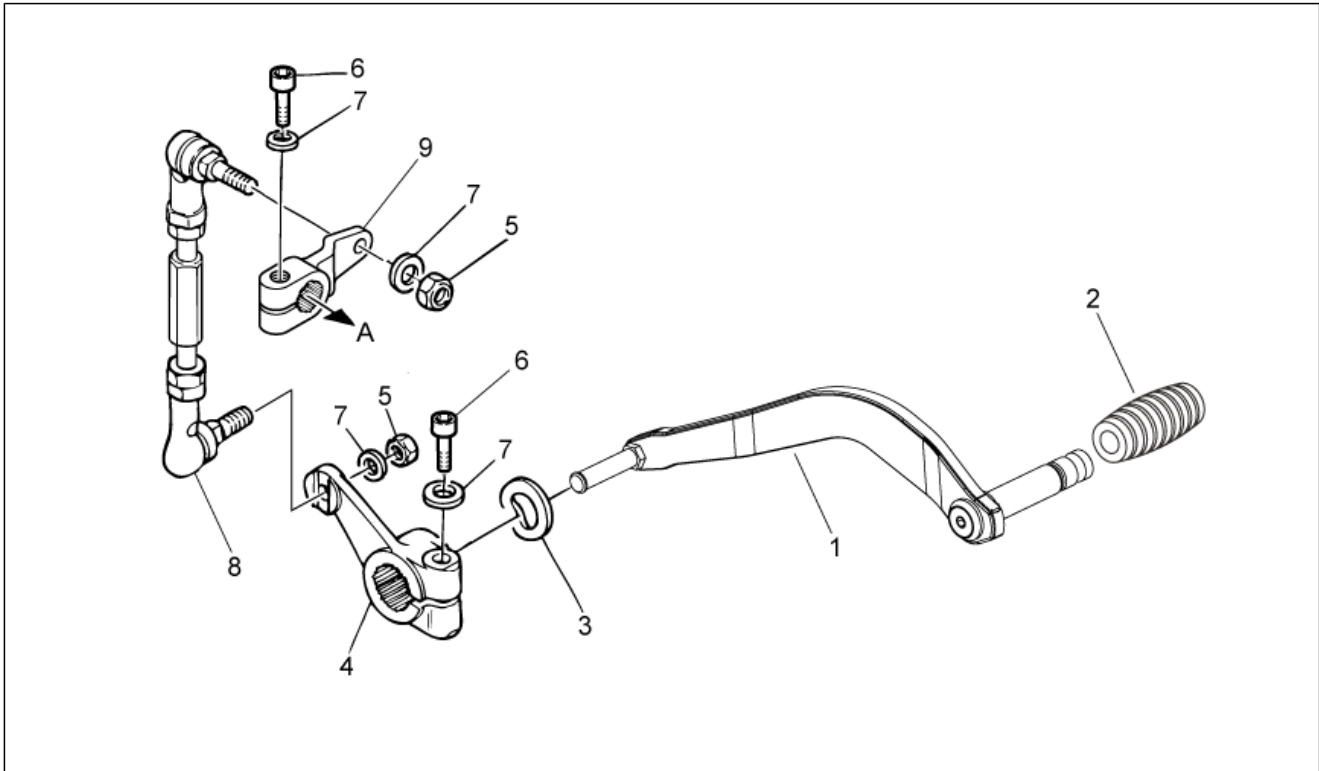
<b>Group</b>	FRAME
<b>Code</b>	33.05
<b>Description</b>	Rear footrests
<b>Service</b>	1



Pos.	Code	Description	Qty	Variants
1	GU32442310	Rear footrest, RH	1	
2	GU32443210	Support rubber part	1	
3	GU32441210	Plate	2	
4	CM228401	Footrest pin	2	
5	AP8134451	Footrest plate	4	
6	AP8121133	Coil compress. spring	2	
7	AP8101861	Ball D6,35	2	
8	AP8152277	Screw w/ flange M6x12	4	
9	AP8120573	Stop ring	2	
10	GU32442710	Rear footrest, LH	1	
11	GU32443211	Support rubber part	1	
12	2B003038	LH footrest support	1	
13	2B003037	RH footrest support	1	
14	2B002171	Special cap screw 8x25	4	
15	GU14615901	Washer 8,4X13X0,8	4	

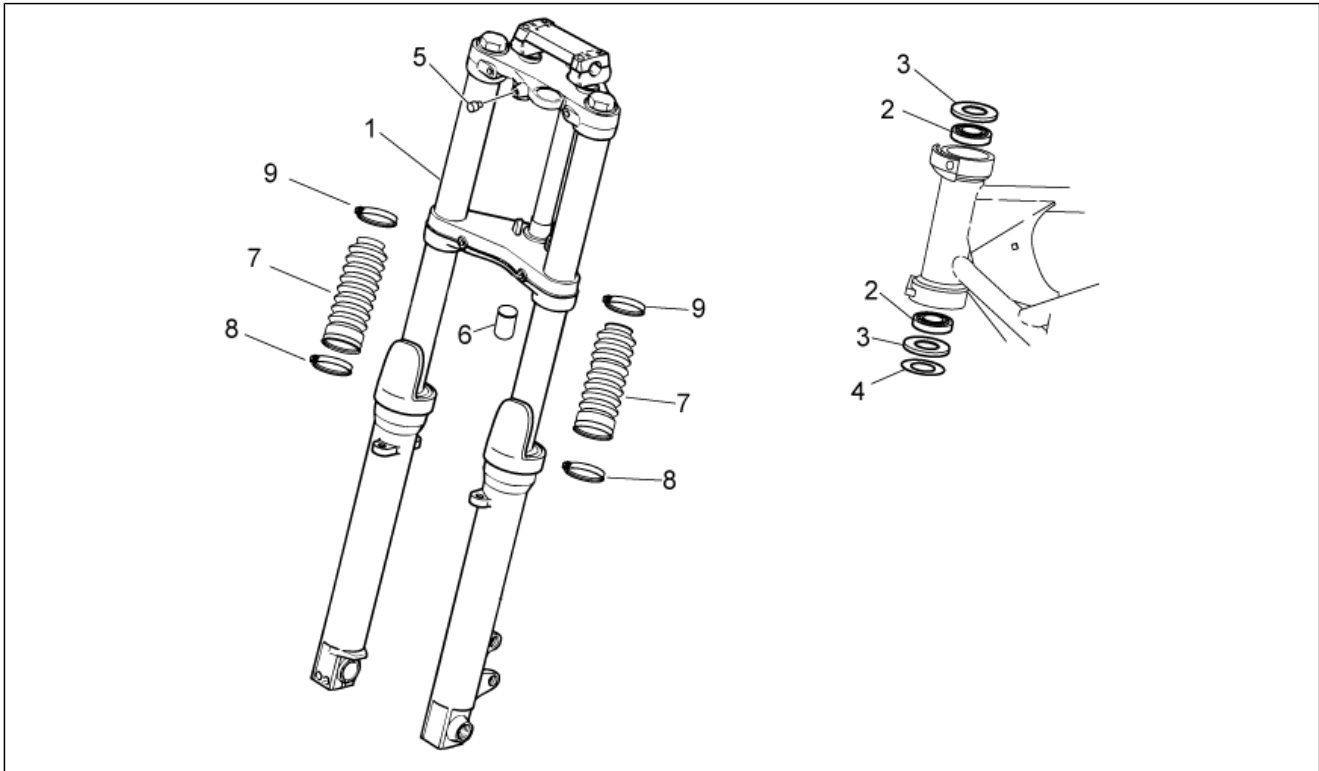


<b>Group</b>	FRAME
<b>Code</b>	33.06
<b>Description</b>	Gear lever
<b>Service</b>	1



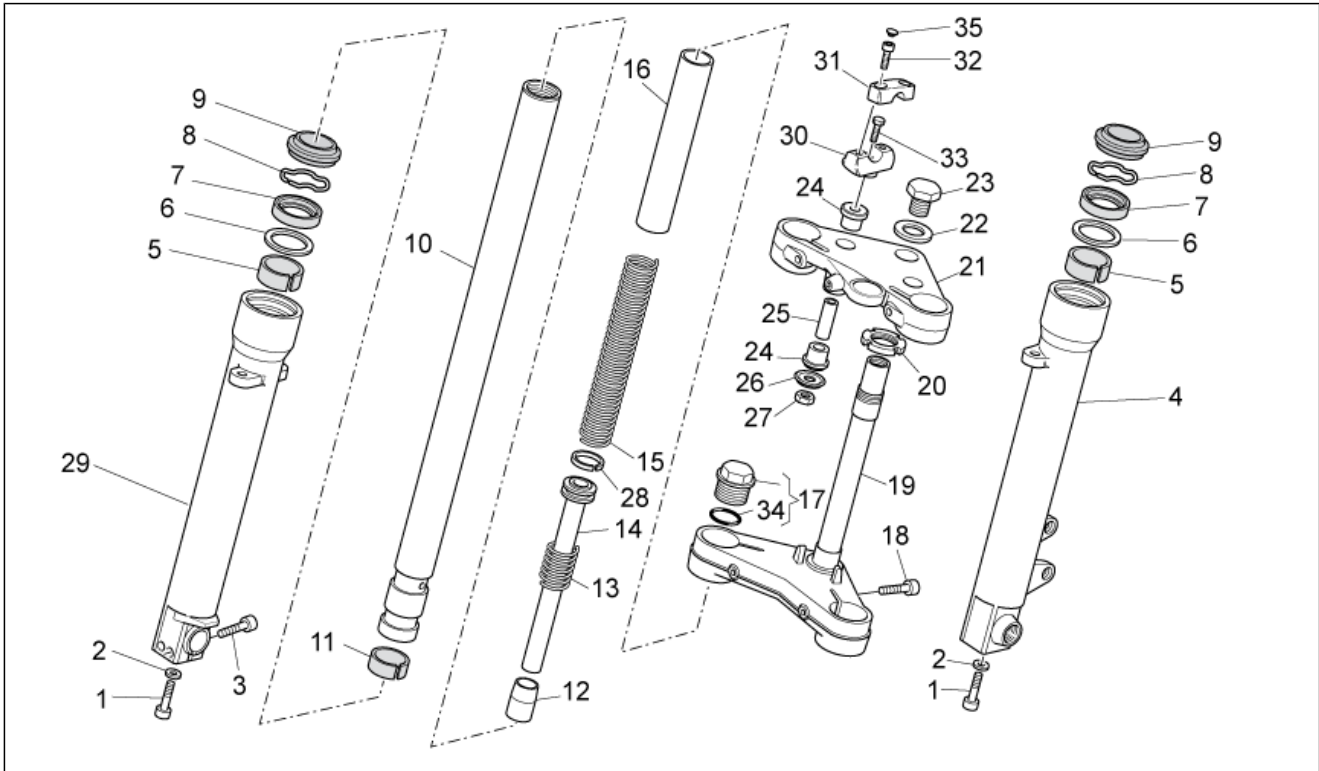
Pos.	Code	Description	Qty	Variants
1	2B001096	Gear lever	1	
2	AP8120912	Lever rubber	1	
3	GU95129260	Spring washer	2	
4	898283	Gear change lever	1	
5	GU92630707	Nut	2	
6	GU98632322	screw	2	
7	GU03013800	Washer 6,4x12	3	
8	2B001941	Gear control tie rod	1	
9	GU20258221	Shift lever	1	

<b>Group</b>	FRAME
<b>Code</b>	33.07
<b>Description</b>	Front fork I
<b>Service</b>	1



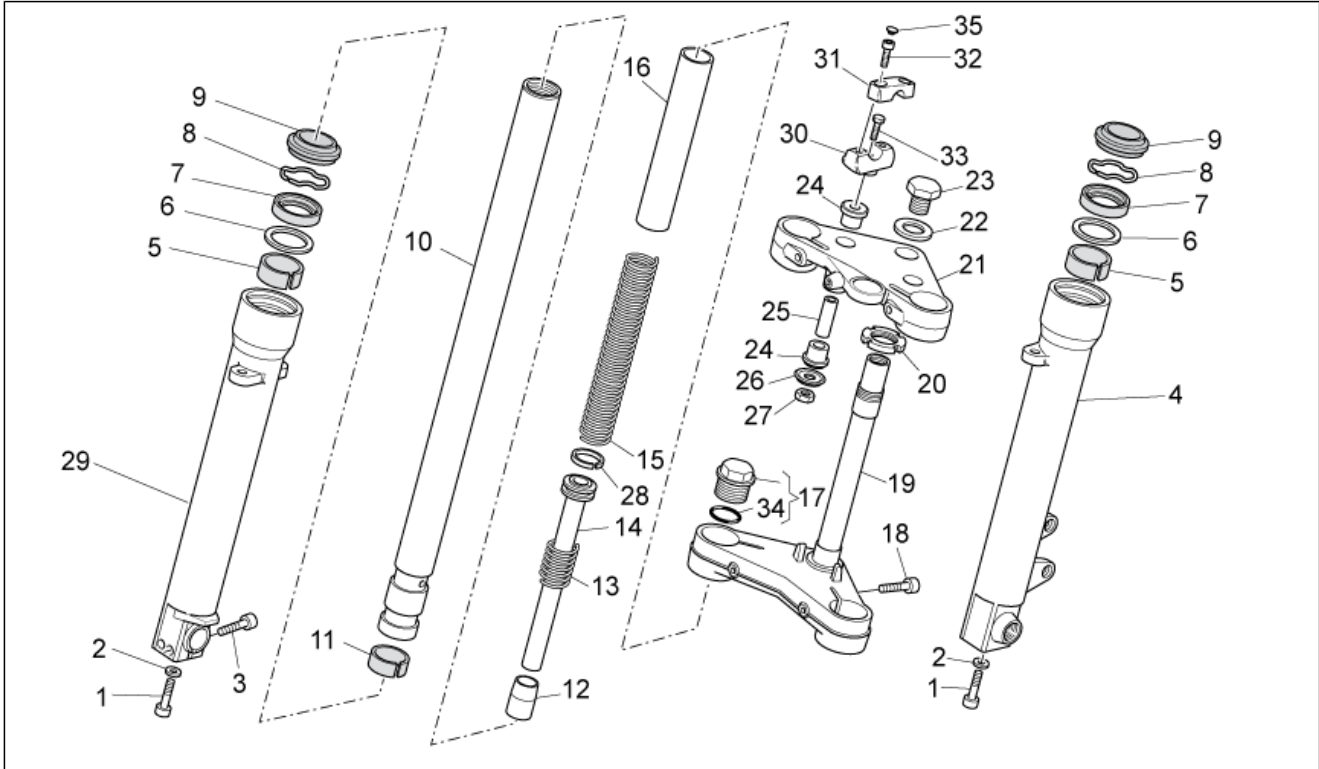
Pos.	Code	Description	Qty	Variants
1	2B001425	Front fork	1	
2	GU92249225	Tap.roller bearing	2	
3	AP8144146	Gasket ring	1	
4	AP8121307	Washer	1	
5	AP8144081	Rubber spacer	1	
6	AP8220460	Rubber cup	1	
7	898086	Anti-dust tube	2	
8	CM001928	Hose clamp 44	2	
9	CM001929	Hose clamp 63.5	2	

<b>Group</b>	FRAME
<b>Code</b>	33.08
<b>Description</b>	Fron fork II
<b>Service</b>	1



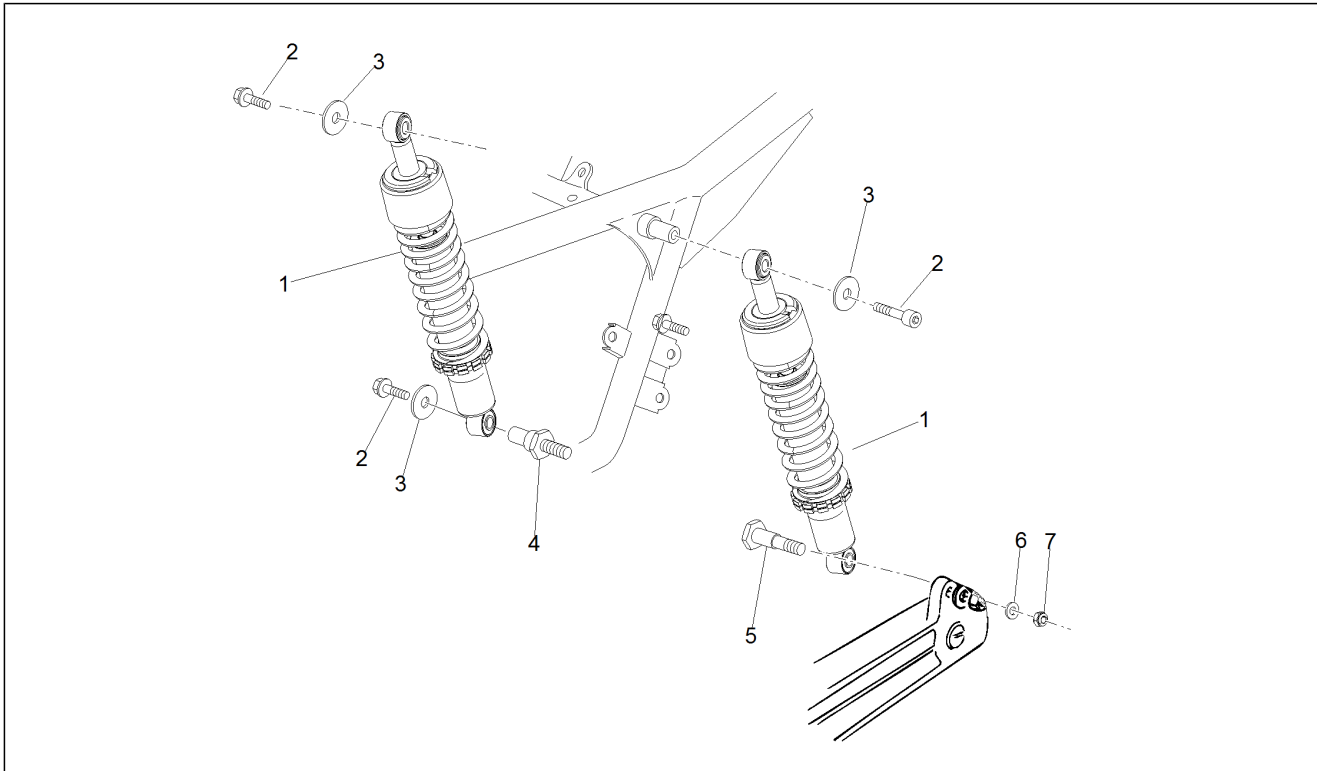
Pos.	Code	Description	Qty	Variants
1	887878	screw M10x30	2	
2	887879	Washer	2	
3	887880	screw	2	
4	2R000110	LH sleeve	1	
5	887882	Upper bush	2	
6	887883	Washer	2	
7	887884	Gasket ring	2	
8	887885	Stop ring	2	
9	887886	Dust cover	2	
10	2B001591	Sleeve	2	
11	887888	Bush	2	
12	887889	Pad	2	
13	887890	Return spring	2	
14	887891	Plunger, complete	2	
15	2R000243	Spring	2	
16	887893	pipe	2	
17	887894	Plug cpl.	2	
18	887895	screw	2	
19	887896	Stem base	1	
20	GU31513480	Ring nut M25X1	1	
21	887898	Upper plate	1	
22	887899	Washer	1	
23	887900	Nut	1	
24	887901	Rubber spacer	4	
25	887902	Spacer	2	
26	887903	Cup	2	
27	887904	Nut	2	
28	887905	Ring	2	

<b>Group</b>	FRAME
<b>Code</b>	33.08
<b>Description</b>	Fron fork II
<b>Service</b>	1



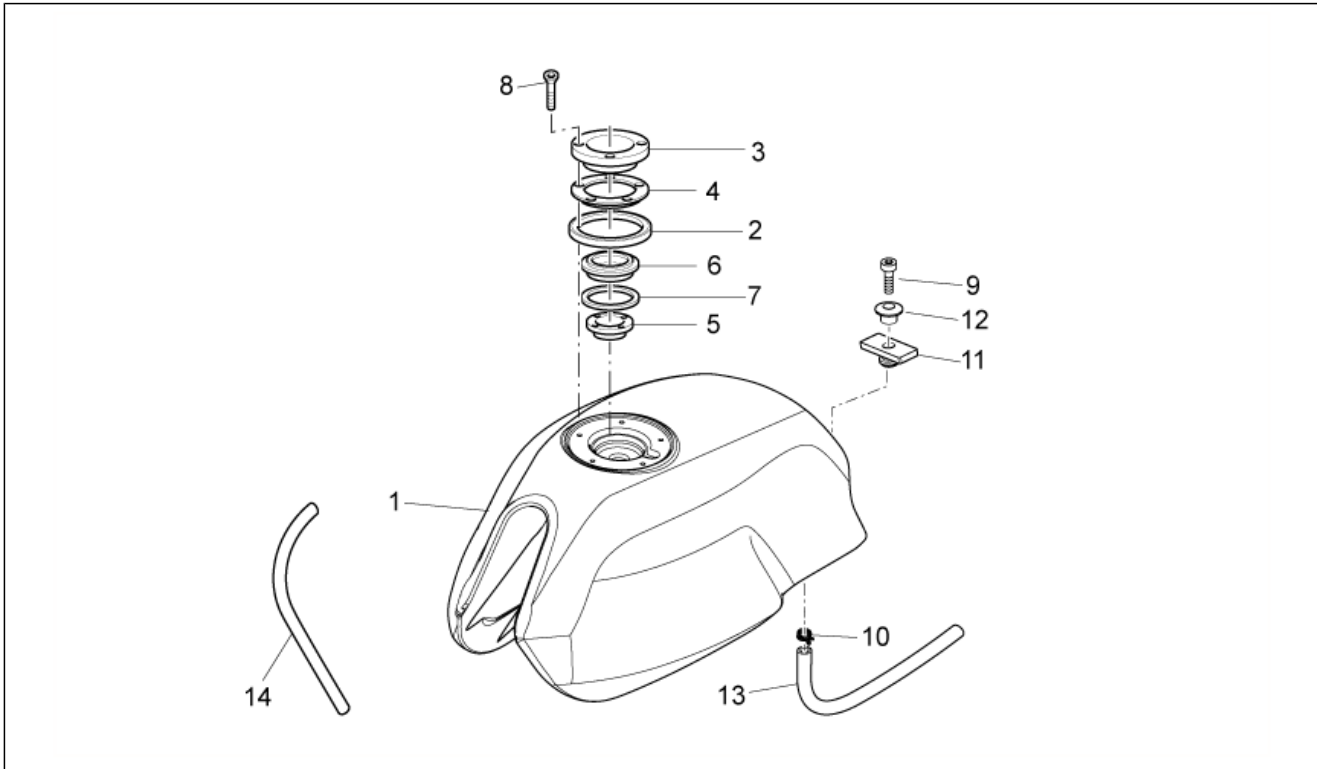
Pos.	Code	Description	Qty	Variants
29	2R000109	RH sleeve	1	
30	887912	Lower U-bolt	2	
31	887913	Upper U-bolt	2	
32	887914	screw M8x30	4	
33	887915	screw M10x60	2	
34	887916	O-ring 4118	2	
35	GU23943410	Plug	4	

<b>Group</b>	FRAME
<b>Code</b>	33.11
<b>Description</b>	Rear shock absorber
<b>Service</b>	1



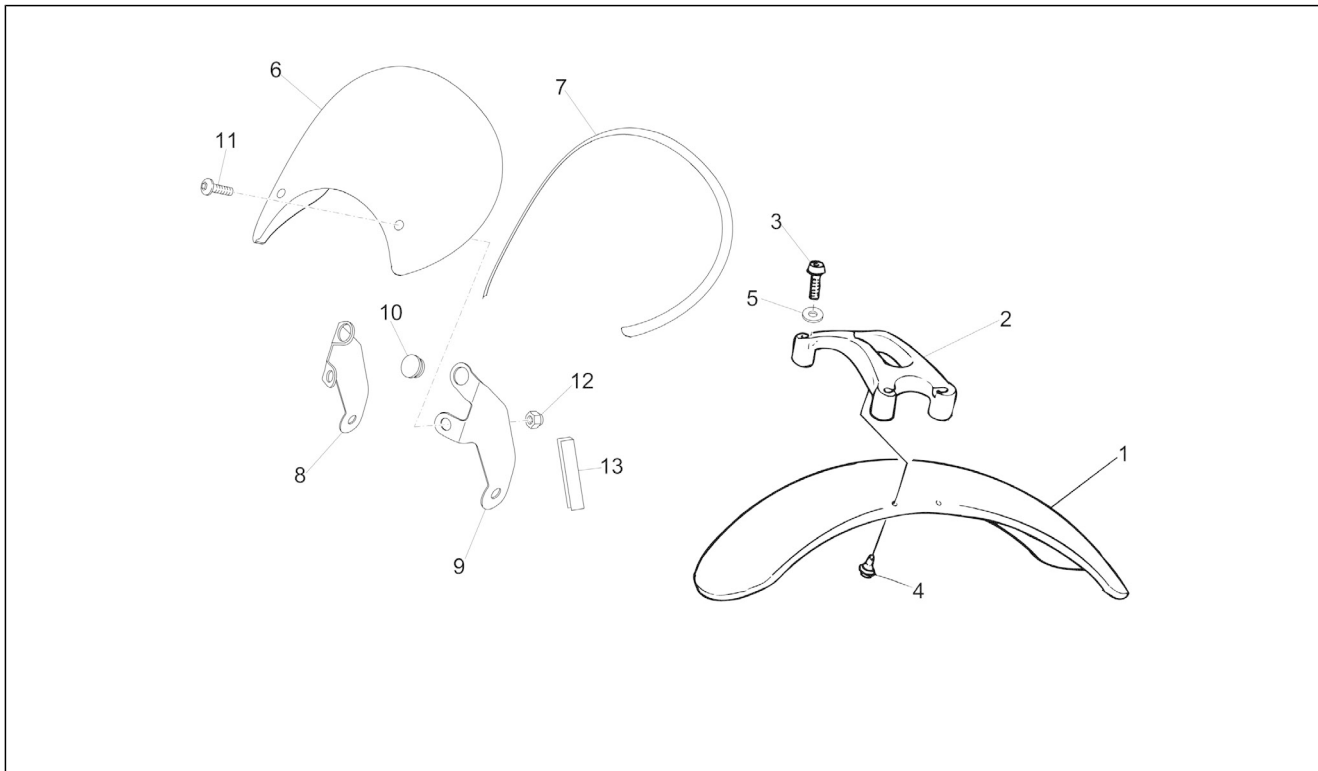
Pos.	Code	Description	Qty	Variants
1	2B000899	Rear shock absorber	2	
2	2B002194	Vite TCEI IX M6X18 preimpregnata	1	
3	898164	Shock abs. spacer	3	
4	GU32555210	Pin	1	
5	GU32555211	Pin	1	
6	GU95129181	Washer	1	
7	GU92606210	Nut M10x1,5	1	

<b>Group</b>	FRAME
<b>Code</b>	33.12
<b>Description</b>	Fuel tank
<b>Service</b>	1



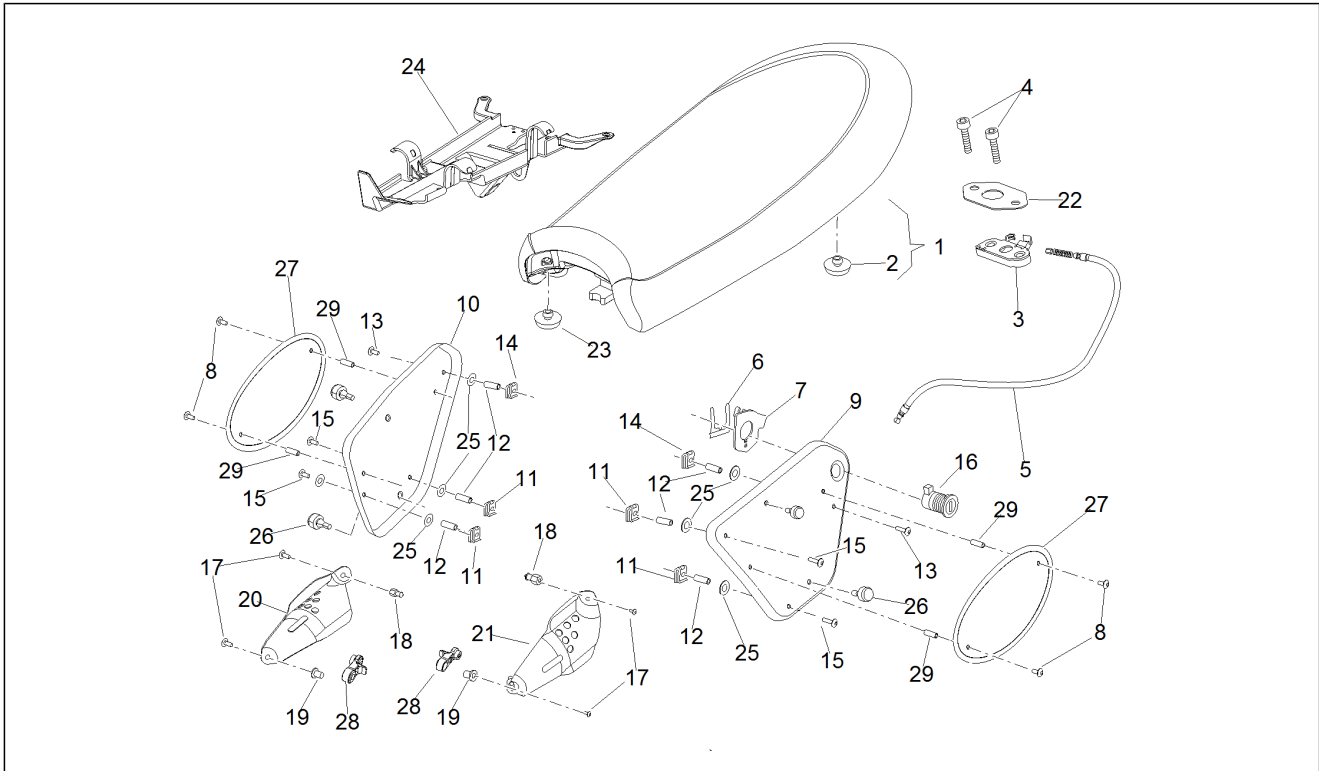
Pos.	Code	Description	Qty	Variants
1	2H001362000XB3	Fuel tank	1	<b>Technical Specifications:</b> Decal[D]
1	887944	Fuel tank blank metal	1	<b>Vehicle colour:</b> Blank[gr]
2	GU03102400	Gasket	1	
3	GU03101900	Flange	1	
4	GU03103500	Ring	1	
5	883502	Reduction 24 mm	1	
6	GU03102200	Plug ring nut	1	
7	GU03101600	Gasket	2	
8	GU03103200	screw	5	
9	GU98682430	Hex socket screw M8x30	1	
10	AP8101595	Hose clamp D10,1	1	
11	AP8120557	Tank rubber	1	
12	AP8121673	T bush *	1	
13	GU00823944050	pipe 5X9	1	
14	2B000909	Gasket	1	

<b>Group</b>	FRAME
<b>Code</b>	33.13
<b>Description</b>	Front body - Front mudguard
<b>Service</b>	1



Pos.	Code	Description	Qty	Variants
1	2S000236	Front mudguard	1	
2	883266	Stabilization plate	1	
3	624995	screw M6x16	4	
4	GU31439565	Special screw	4	
5	658830	Curved spring washer 6x12	4	
6	2S000234	Cupolino satinato	1	
7	AP8144606	Gasket 10X5	1	
8	2B003267	Supporto dx cupolino	1	
9	2B003268	Supporto sx cupolino	1	
10	GU93180105	Cover	2	
11	884029	Hex socket screw M6x10	2	
12	AP8150430	Low self-locking nut	2	
13	AP8144606	Gasket 10X5	1	

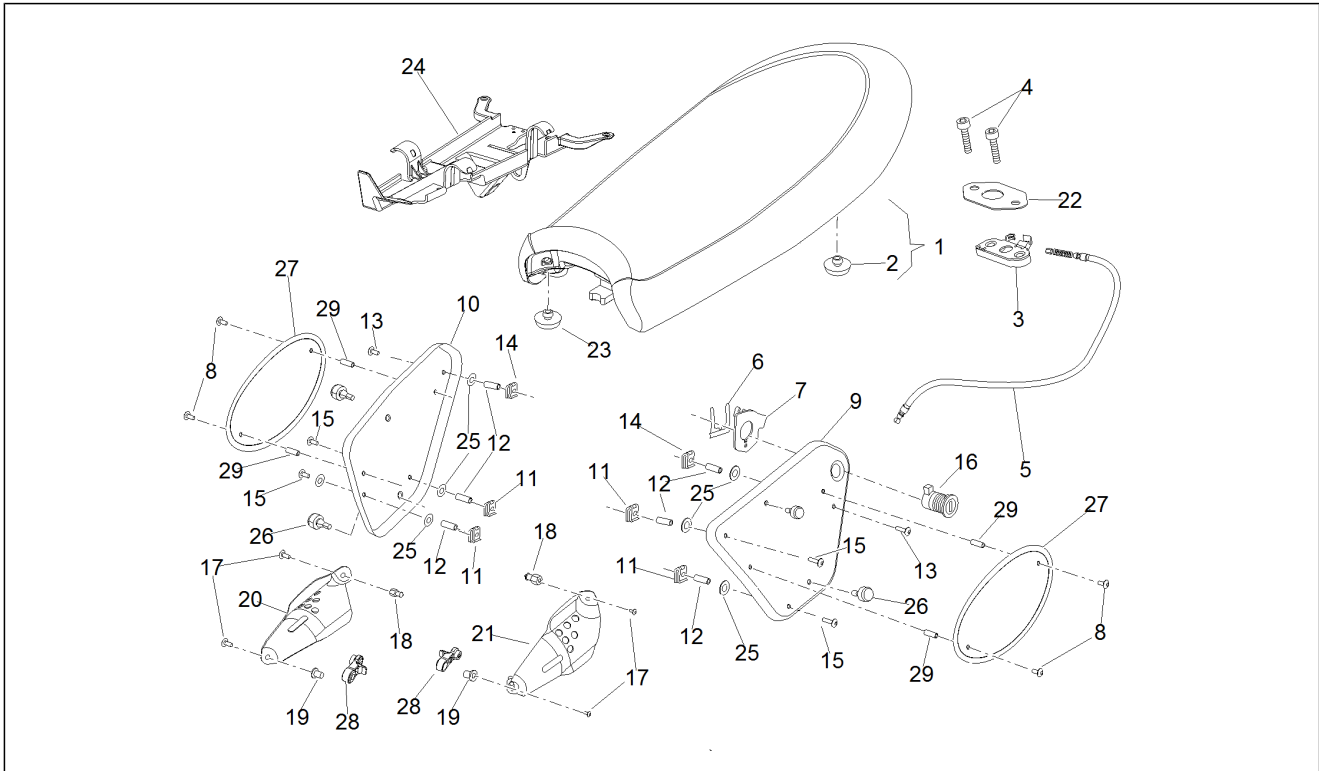
<b>Group</b>	FRAME
<b>Code</b>	33.14
<b>Description</b>	Saddle-Central bod
<b>Service</b>	1



Pos.	Code	Description	Qty	Variants
1	2R000276	Saddle	1	
2	GU32461610	Rubber spacer	8	
3	831153	Screw	1	
4	GU98370625	Hex socket screw	2	
5	883295	Saddle release cable	1	
6	AP8121420	Fork spring	1	
7	978415	Cable fixing plate	1	
8	GU98230525	Hex socket screw M5x25	4	
9	2S000250	LH side panel, black	1	
10	2S000249	RH side panel, black	1	
11	AP8102798	Clip M6	4	
12	2S000223	Spacer L=31	6	
13	B005310	Hex socket screw M5x45	2	
14	AP8102375	Clip m5	2	
15			2	
16	977527	Locking complete with keys	1	
17	GU98370515	screw	4	
18	AP8120531	Rubber w/ insert	2	
19	886727	Fixing pin	2	
20	2B000841	Right throttle cover	1	
21	2B000842	Left throttle cover	1	
22	886820	Saddle lock fix.plate	0	
23	B063429	Rubber spacer	0	
24	B063431	Protection	0	
25			0	
26	AP8706087	Rubber spacer	2	
27	2B003254	***Lateral body side	2	
28	2B001988	Maintenance	2	

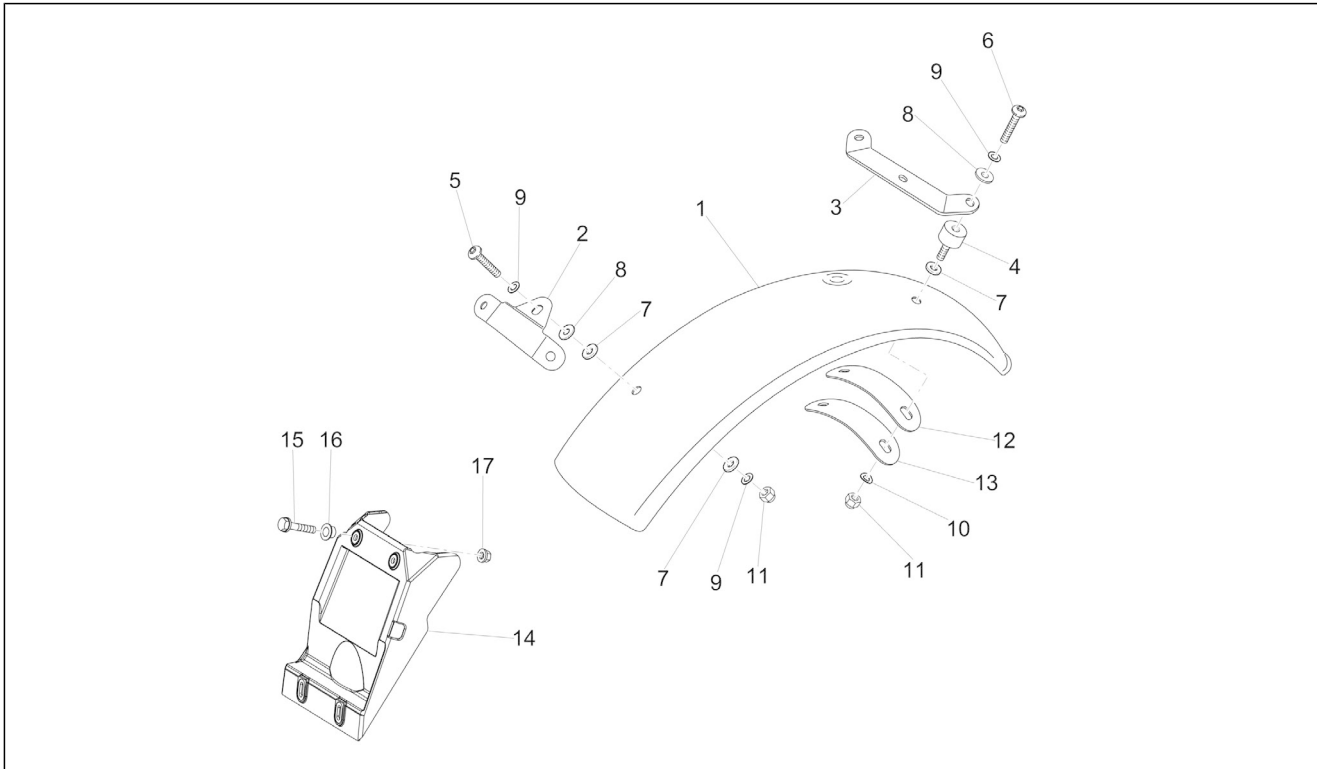


<b>Group</b>	FRAME
<b>Code</b>	33.14
<b>Description</b>	Saddle-Central bod
<b>Service</b>	1



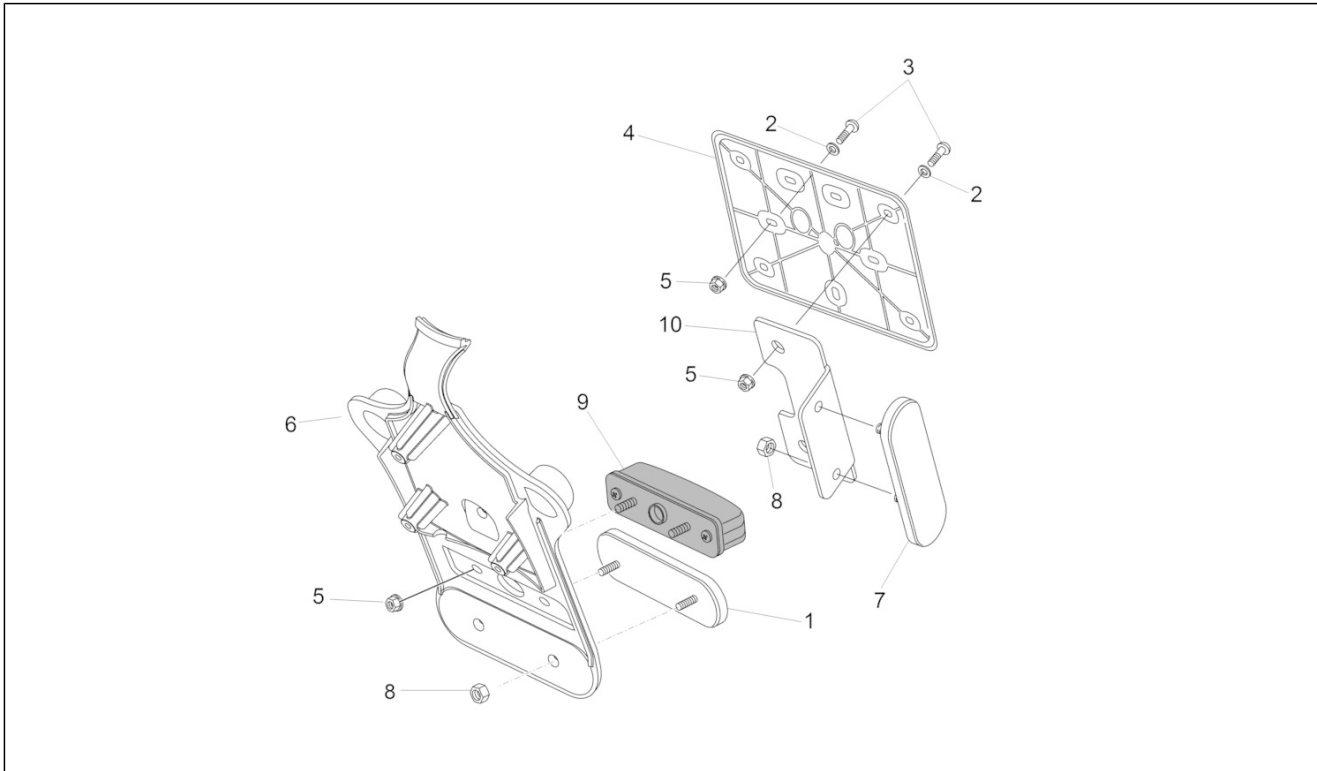
Pos.	Code	Description	Qty	Variants
29	2S000222	Spacer L=11	4	

<b>Group</b>	FRAME
<b>Code</b>	33.15
<b>Description</b>	Rear body I- Mudguard
<b>Service</b>	1



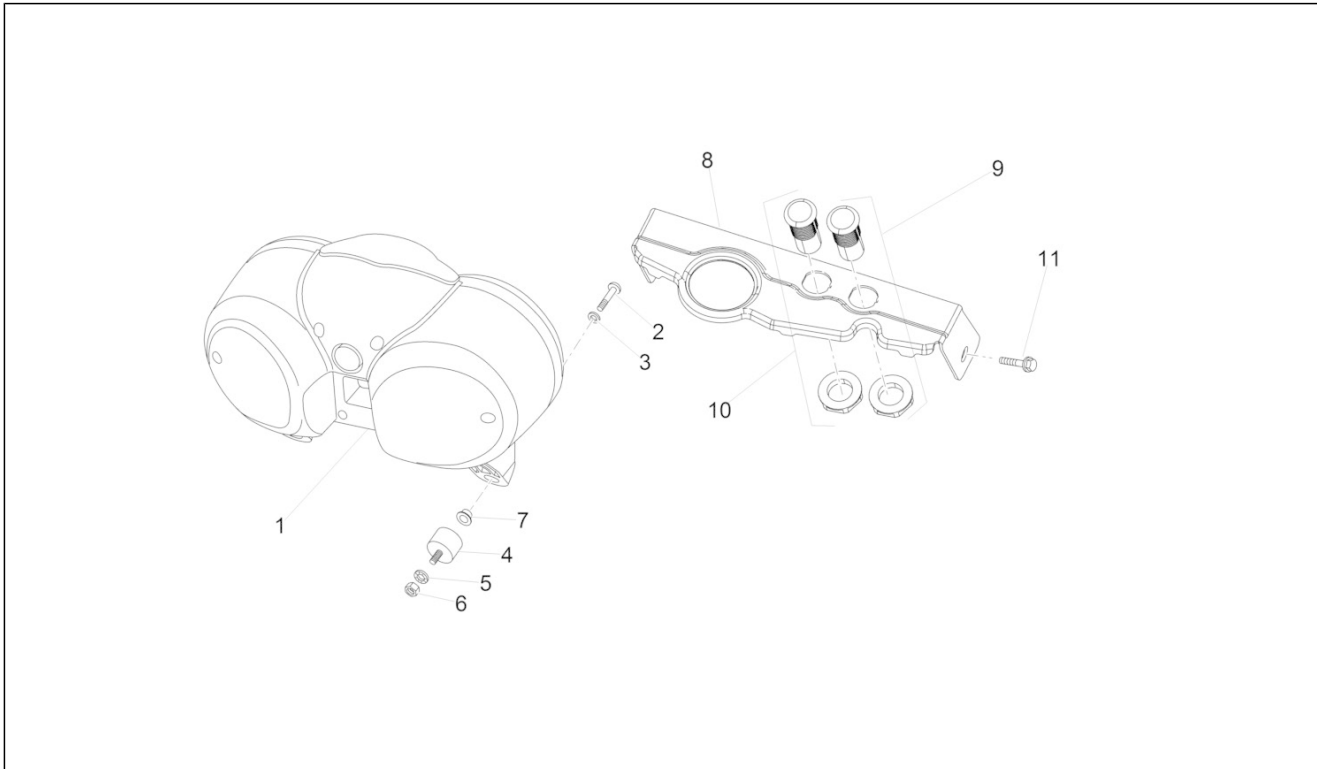
Pos.	Code	Description	Qty	Variants
1	2S000237	Parafango post. satinato	1	
2	2S000251	Staffa ant. di fissaggio	1	
3	2S000252	Staffa post. di fissaggio	1	
4	AP8120459	Gommino antivibrante M6 maschio/femmina	2	
5	GU98370621	Hex socket screw M6x20	1	
6	GU98230512	Hex socket screw	2	
7			4	
8	AP8150378	Washer 6,4x18x2	3	
9	AP8150380	Washer 12,5x6,4*	4	
10	658830	Curved spring washer 6x12	2	
11	AP8150430	Low self-locking nut	3	
12	2S000255	Gomma fustellata	1	
13	2S000254	Piastrina inox	1	
14	2B001783	Rear splash guard	1	
15	598839	Screw w/ flange	4	
16	AP8121032	Bush	6	
17	AP8152299	Self-locking nut M6	6	

<b>Group</b>	FRAME
<b>Code</b>	33.16
<b>Description</b>	Rear body II- Plate holder
<b>Service</b>	1



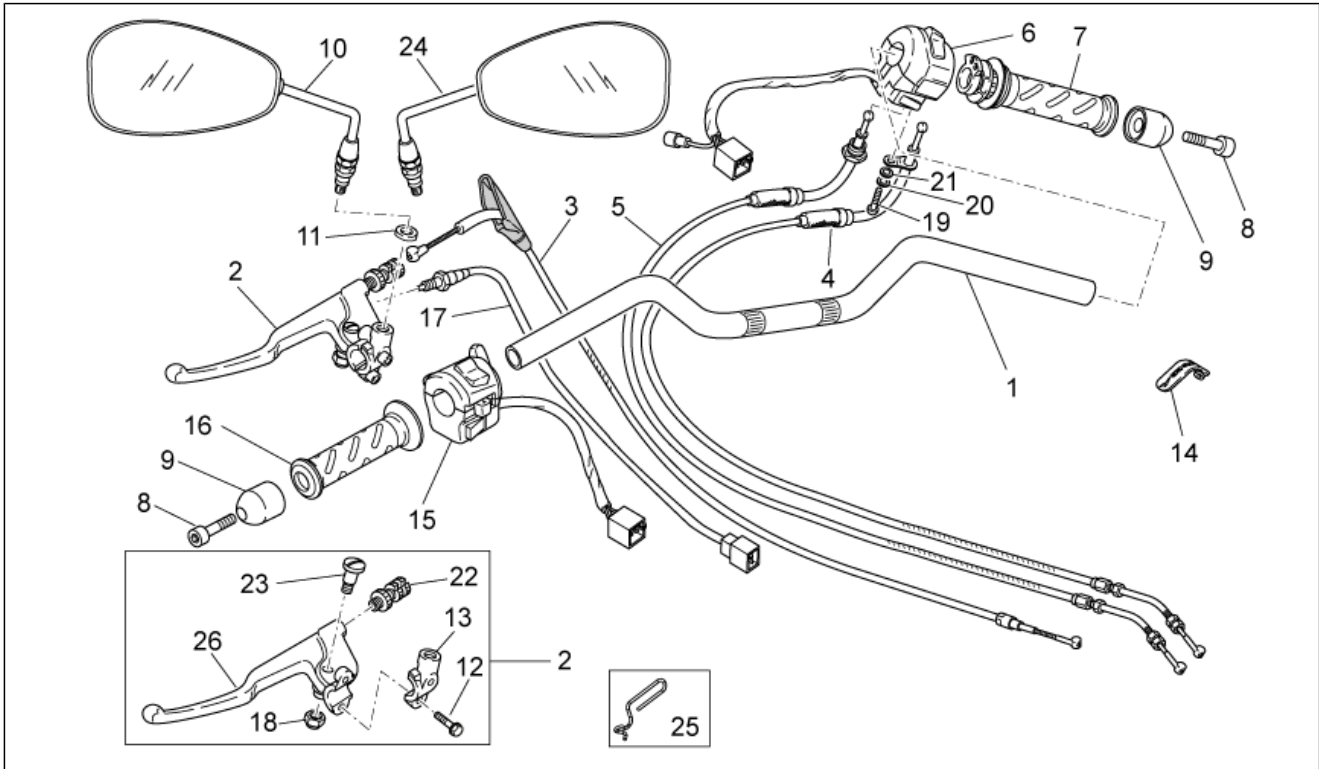
Pos.	Code	Description	Qty	Variants
1	GU05781630	Reflector, amber	1	
2	AP8150248	Washer 5,5x15x1,6	7	
3	AP8152268	Hex socket screw M5x16	7	
4	AP8149034	Number plate support	1	
5	AP8152306	Self-locking nut m5	1	
6	2S0004985	Number plate holder	1	
7	AP8124718	Rear reflector, red	2	
8	GU92630204	Nut	6	
9	883480	Number-plate light	1	
10	GU32781910	Reflector support	2	

<b>Group</b>	FRAME
<b>Code</b>	33.17
<b>Description</b>	Dashboard
<b>Service</b>	1



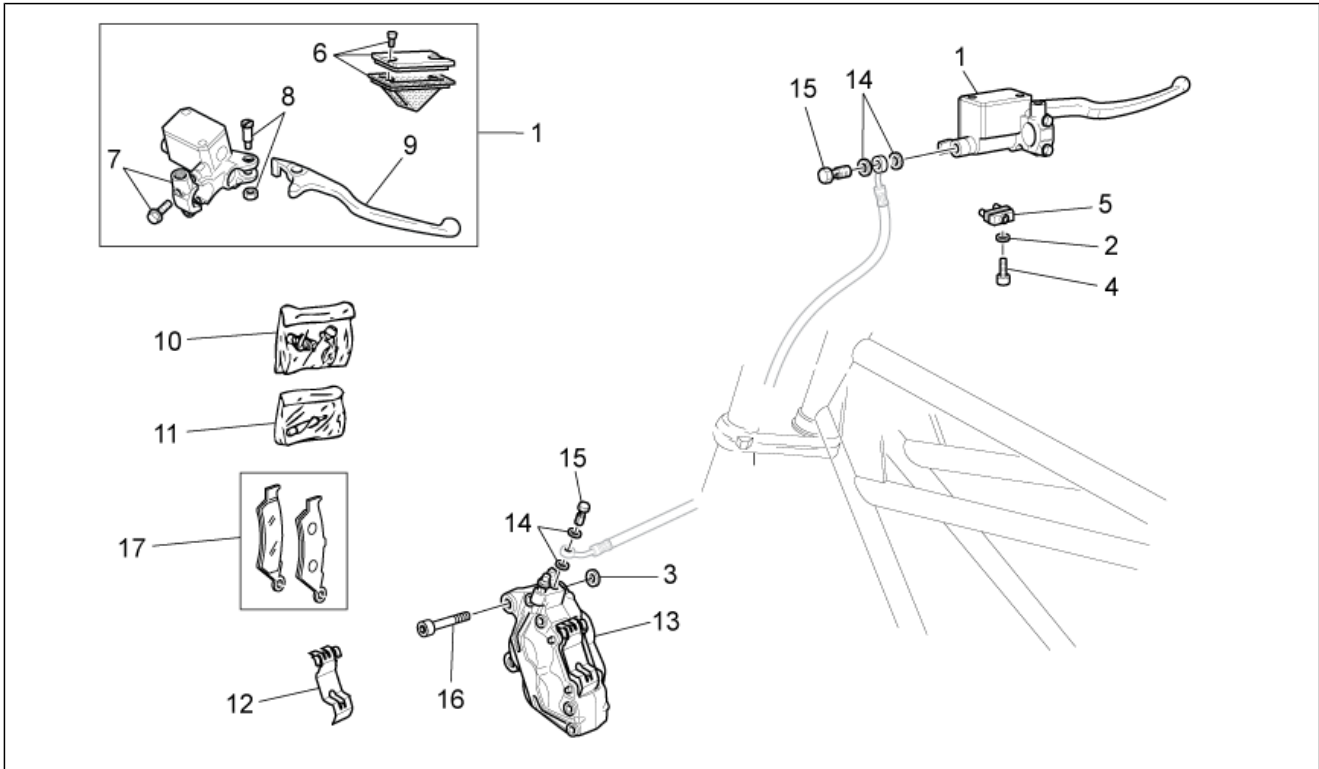
Pos.	Code	Description	Qty	Variants
1	887195	Dashboard complete MPH	1	
2	GU98370609	Hex socket screw M6x10	3	
3	GU95005306	Washer 6,4x13x1,5	3	
4	GU93222023	Silent-block	3	
5	GU95021206	Washer	3	
6	GU92606206	Nut	3	
7	AP8121032	Bush	3	
8	2B003051	Instrument frame	1	
9	2D000022	Tell tale lamp MGCT	1	
10	2D000021	Tell tale lamp ABS	1	
11	GU98692414	screw M8x14	2	

<b>Group</b>	FRAME
<b>Code</b>	33.18
<b>Description</b>	Handlebar - Controls
<b>Service</b>	1



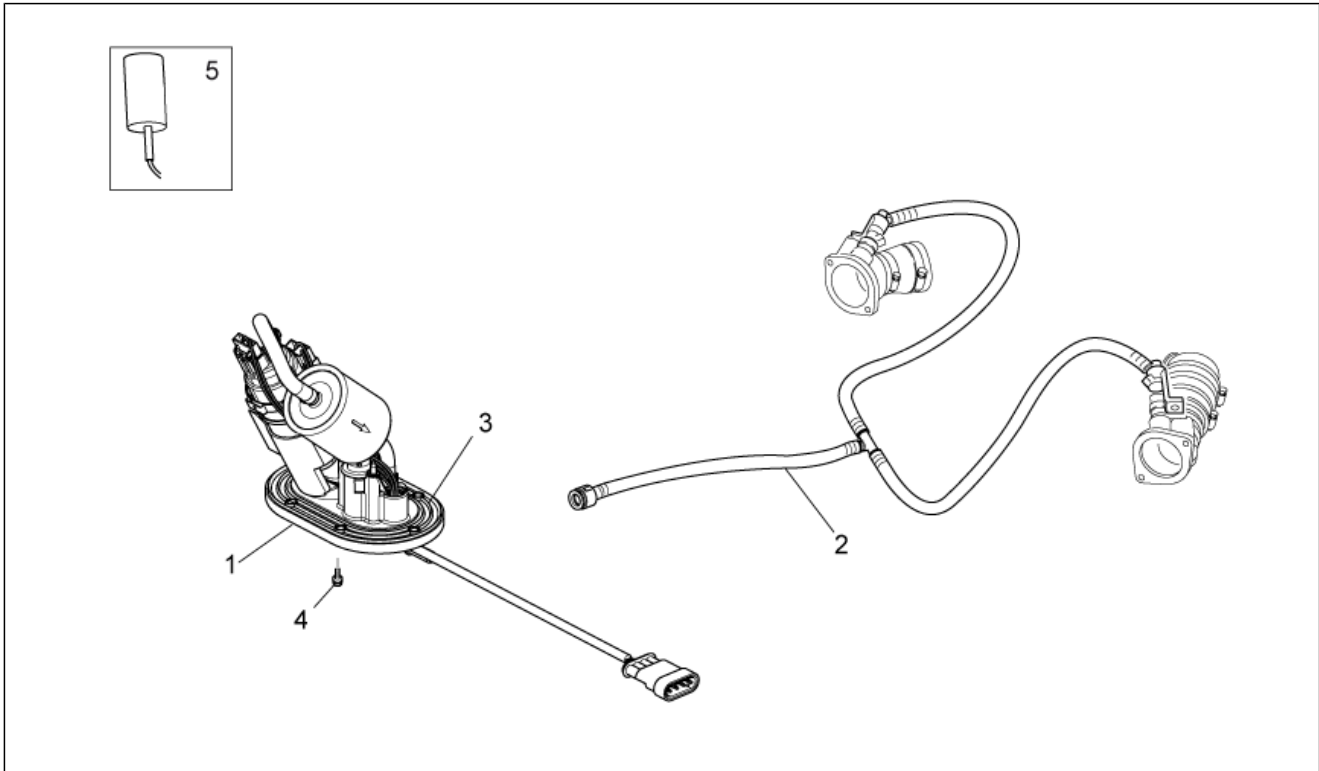
Pos.	Code	Description	Qty	Variants
1	2B000671	Handlebar	1	
2	2B001300	Clutch lever cpl.	1	
3	2B001202	Clutch cable	1	
4	887852	Gas trasmission delivery	1	
5	887853	Gas trasmission return	1	
6	B063135	RH lights selector	1	
7	GU32603310	RH hand grip	1	
8	GU98690335	Hex socket screw	2	
9	AP8104509	Anti.v weight, black	2	
10	2B001049	LH rearview mirror	1	
11	GU91181003	Spacer 10,25X20X4	2	
12	GU97202325	Black screw w/ flange M6x25	2	
13	GU30601060	Clump	1	
14	GU01609630	Hose clamp L46 mm	2	
14	GU03609600	Hose clamp L36 mm	1	
15	B063975	LH lights selector	1	
16	GU32603010	LH hand grip	1	
17	GU29759150	Lateral stand switch	1	
18	AP8213388	Self-locking nut	1	
19	GU98230510	Hex socket screw	1	
20	GU95008305	Washer 5,3X10X1	1	
21	GU95021105	Notched washer	1	
22	GU30602500	Register	1	
23	AP8213028	screw	1	
24	2B001048	RH rearview mirror	1	
25	2B001138	Fairlead	1	
26	2B001998	Clutch control lever	1	

<b>Group</b>	FRAME
<b>Code</b>	33.19
<b>Description</b>	Front brake system
<b>Service</b>	1



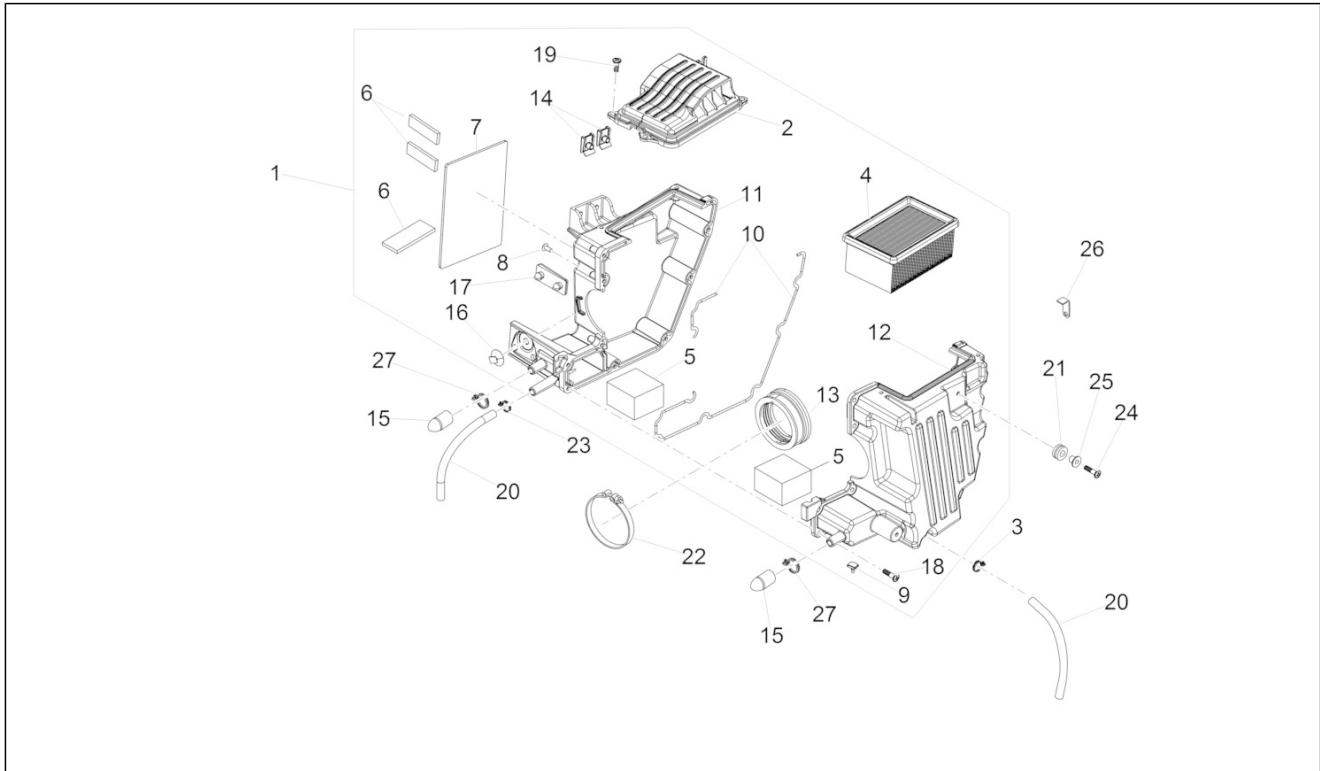
Pos.	Code	Description	Qty	Variants
1	2B001199	Front master cilinder	1	
2	GU95021104	Washer 4,3x8x1,5	1	
3	GU91181003	Spacer 10,25X20X4	2	
4	AP8152043	Hex socket screw M4x10	1	
5	GU03749845	Stop switch	1	
6	2B001928	Pump cover	1	
7	2B001929	Bracket	1	
8	2B001927	Lever pin cpl.	1	
9	2B001926	Brake lever	1	
10	GU05659230	Bleeder+cap	1	
11	GU01659130	Pins+Caliper springs	1	
12	GU01659131	Spring	1	
13	2B001197	Front disk brake caliper l.h.	1	
14	AP8113004	Washer 10x14x1,6*	4	
15	AP8113003	Oil pipe screw	2	
16	AP8152385	Hex socket screw M10x1,25	2	
17	883673	Pads pair	1	

<b>Group</b>	FRAME
<b>Code</b>	33.21
<b>Description</b>	Fuel pump
<b>Service</b>	1



Pos.	Code	Description	Qty	Variants
1	B063752	Fuel pump	1	
2	2B001342	Fuel pipe	1	
3	GU05107430	Gasket	1	
4	AP8152273	Screw w/ flange M5x15	6	
5	887787	Fuel level sensor	1	

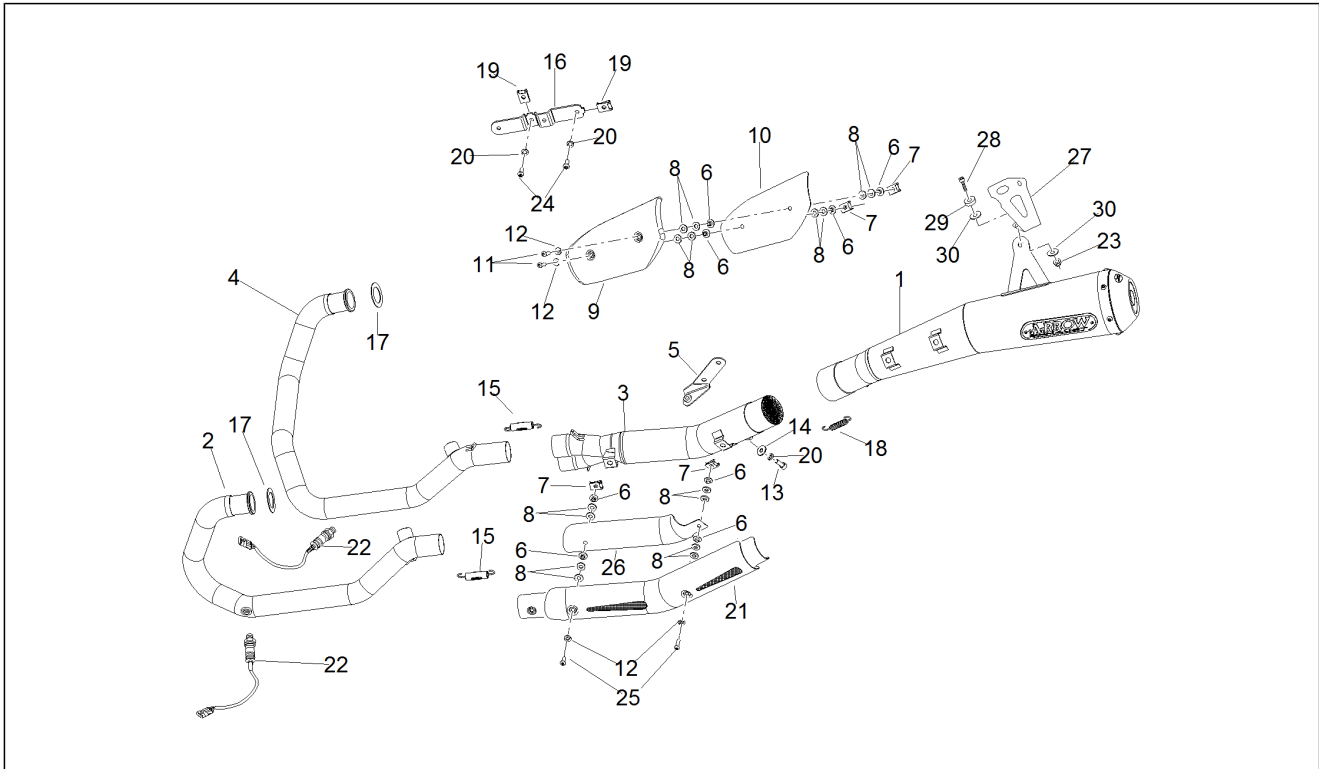
<b>Group</b>	FRAME
<b>Code</b>	33.22
<b>Description</b>	Air box
<b>Service</b>	1



Pos.	Code	Description	Qty	Variants
1	8878421	Complete filter box	1	
2	887843	Air filter cover	1	
3	AP8201358	Hose clamp D 11,9	1	
4	AP8104924	Air filter	1	
5	AP8104525	Filter blow-by	2	
6	883127	Support rubber part 5 mm	1	
7	AP8144553	Support rubber part	1	
8	AP8120876	Plug	2	
9	AP8120455	Rubber spacer	1	
10	AP8120615	Gasket D3	2	
11	887844	Filter box right shell	1	
12	887845	Filter box left shell	1	
13	887815	Intake hose	1	
14	254485	Spring plate M6	2	
15	AP8161054	Cap	2	
16	890760	Instrument support	1	
17	AP8144729	Stand end stop	1	
18	AP8152329	Phillips screw, SWP M5x20	9	
19	AP8150509	Self-tap screw 5x14	4	
20	AP8120772	Breather pipe	1	
21	GU91551010	Rubber 10X20X10	2	
22	CM258303	Hose clamp 63	1	
23	AP8102766	Hose clamp	3	
24	AP8152329	Phillips screw, SWP M5x20	2	
25	AP8221023	T bush	2	
26	GU31112965	Square	1	
27	AP8102520	Hose clamp	2	

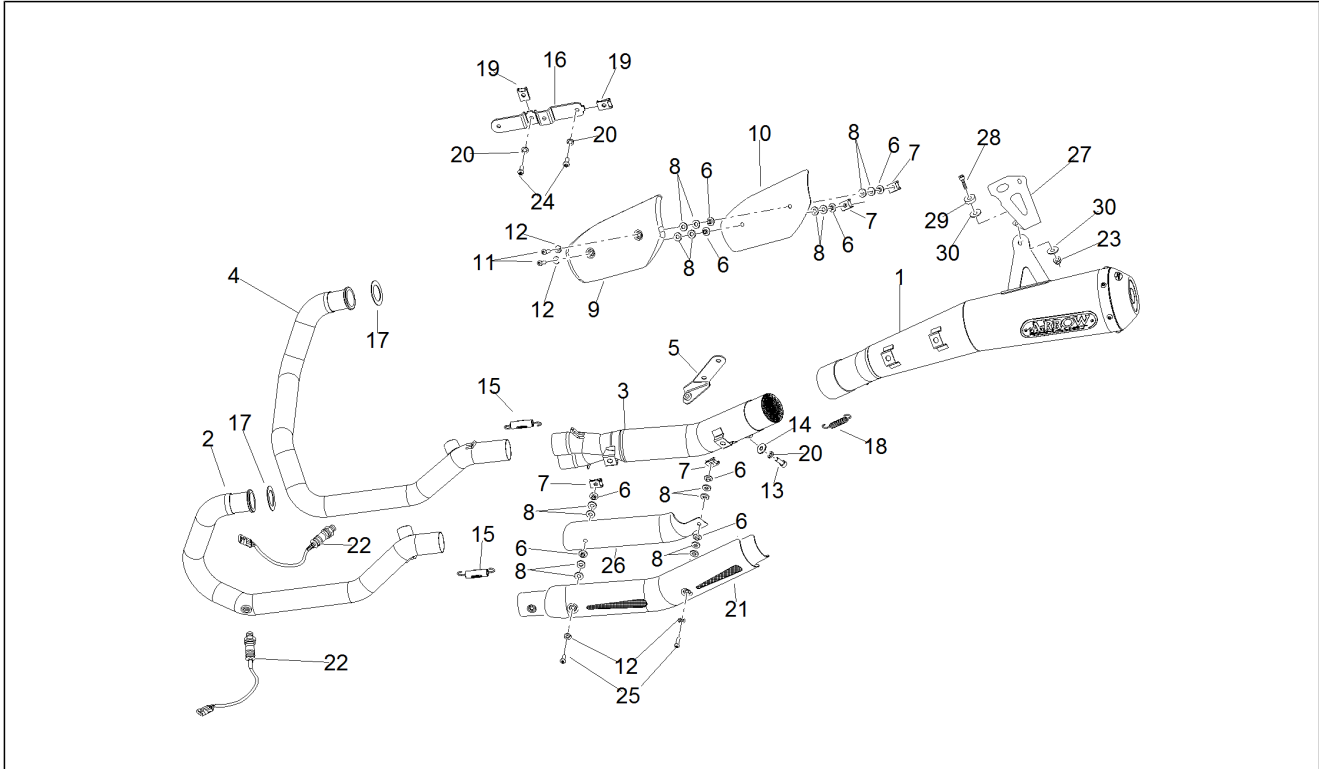


<b>Group</b>	FRAME
<b>Code</b>	33.23
<b>Description</b>	Exhaust unit
<b>Service</b>	1



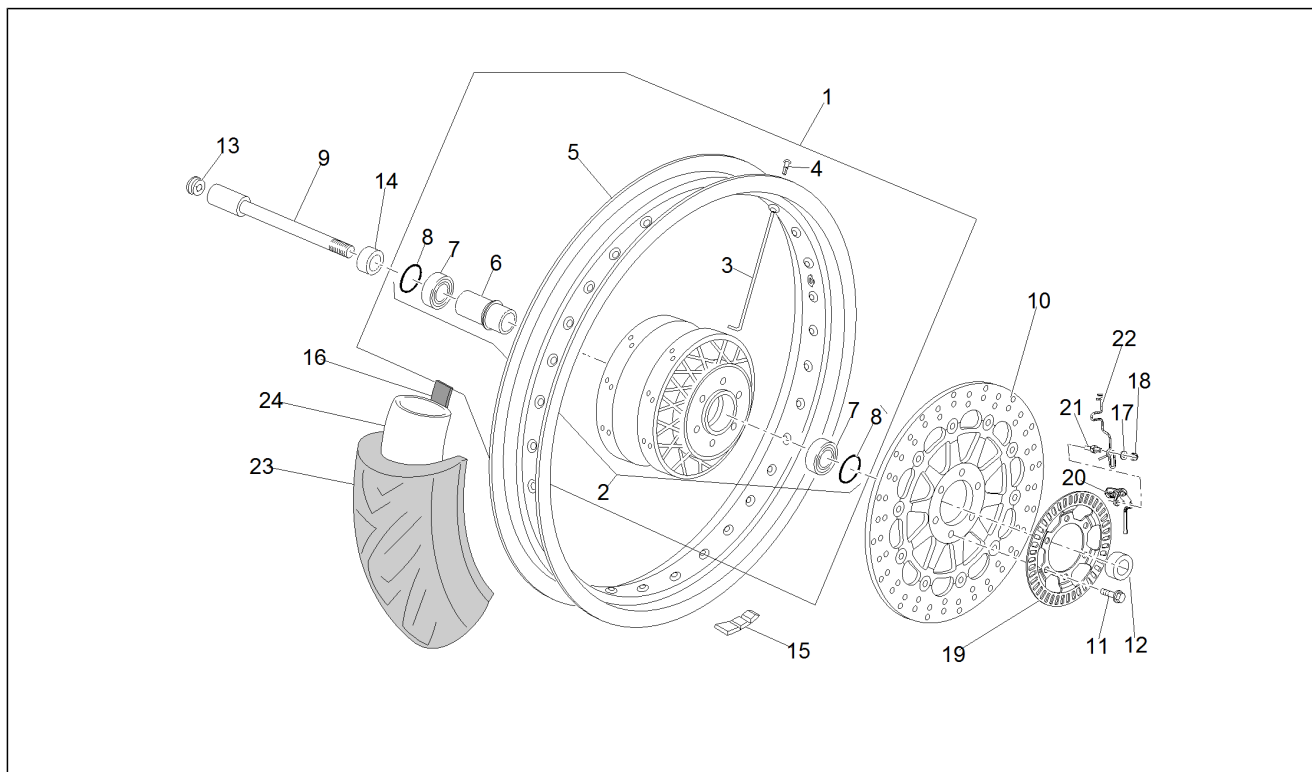
Pos.	Code	Description	Qty	Variants
1	2B003391	Silencer	1	
2	2B003393	LH exhaust manifold	1	
3	2B003394	Central manifold	1	
4	2B003392	Right exhaust manifold	1	
5	2S000430	Fixing bracket	1	
6	2S000436	T bush	8	
7	AP8102375	Clip m5	4	
8	2S000437	Rubber spacer	16	
9	2S000435	Silencer protection	1	
10	2S000434	Heat protection	1	
11	GU98370520	Hex socket screw	2	
12	658816	Spring washer	4	
13	AP8150521	Hex socket screw	1	
14	GU95005320	Washer 6,5x20x1,5	1	
15	2S000438	molla con gommino	2	
16	2S000431	Fixing bracket	1	
17	GU19025280	Gasket	2	
18	855997	Exhaust pipes spring	1	
19	254485	Spring plate M6	2	
20	658818	Spring washer	2	
21	2S000433	Heat protection	1	
22	896110	Lamda sensor l.660 mm	2	
23	AP8150032	Low self-locking nut M8	1	
24	GU98370619	Hex socket screw	2	
25	GU98370520	Hex socket screw	2	
26	2S000432	Protection	1	
27	2S000440	Silencer support	1	
28	GU98692420	Hex socket screw M8x20	1	

<b>Group</b>	FRAME
<b>Code</b>	33.23
<b>Description</b>	Exhaust unit
<b>Service</b>	1



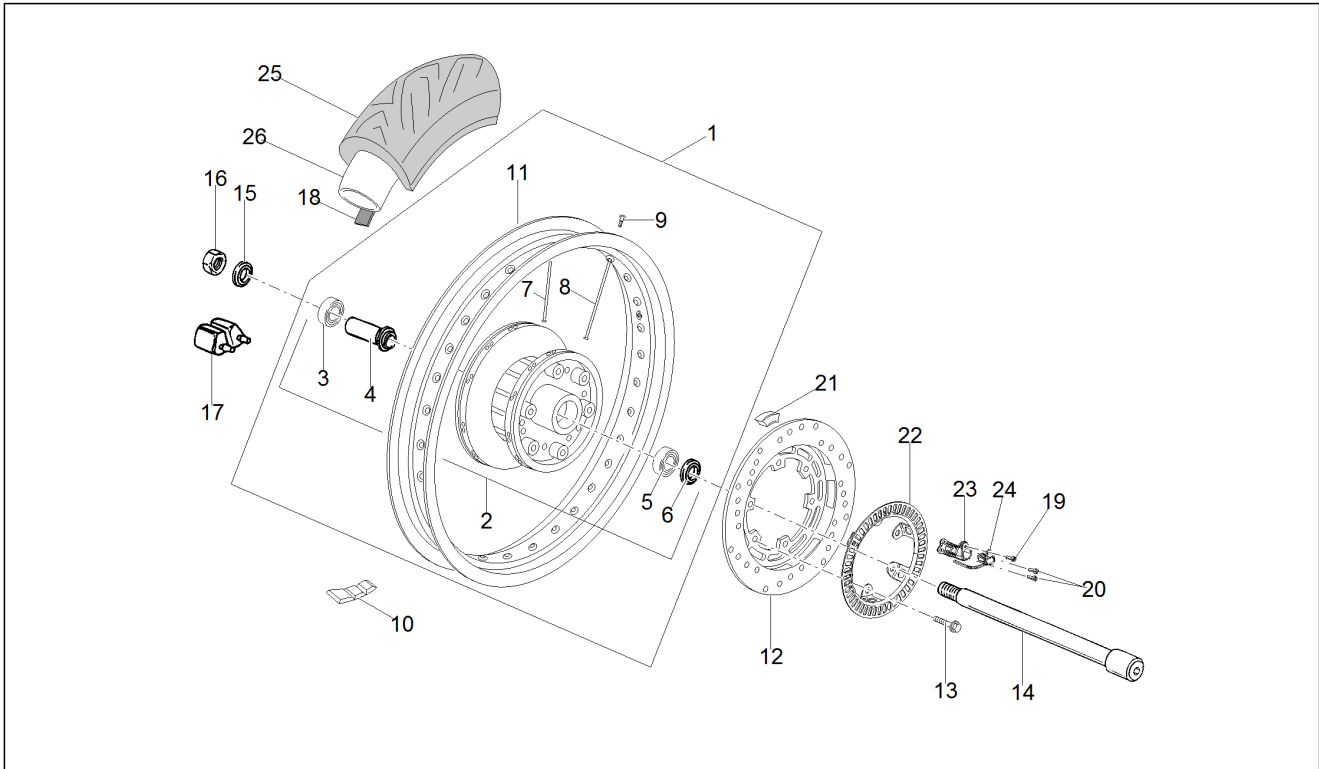
Pos.	Code	Description	Qty	Variants
29	2S000216	Spacer	1	
30	AP8163165	Stainless washer 16x8.4x1.6	2	

<b>Group</b>	FRAME
<b>Code</b>	33.24
<b>Description</b>	Front wheel I
<b>Service</b>	1



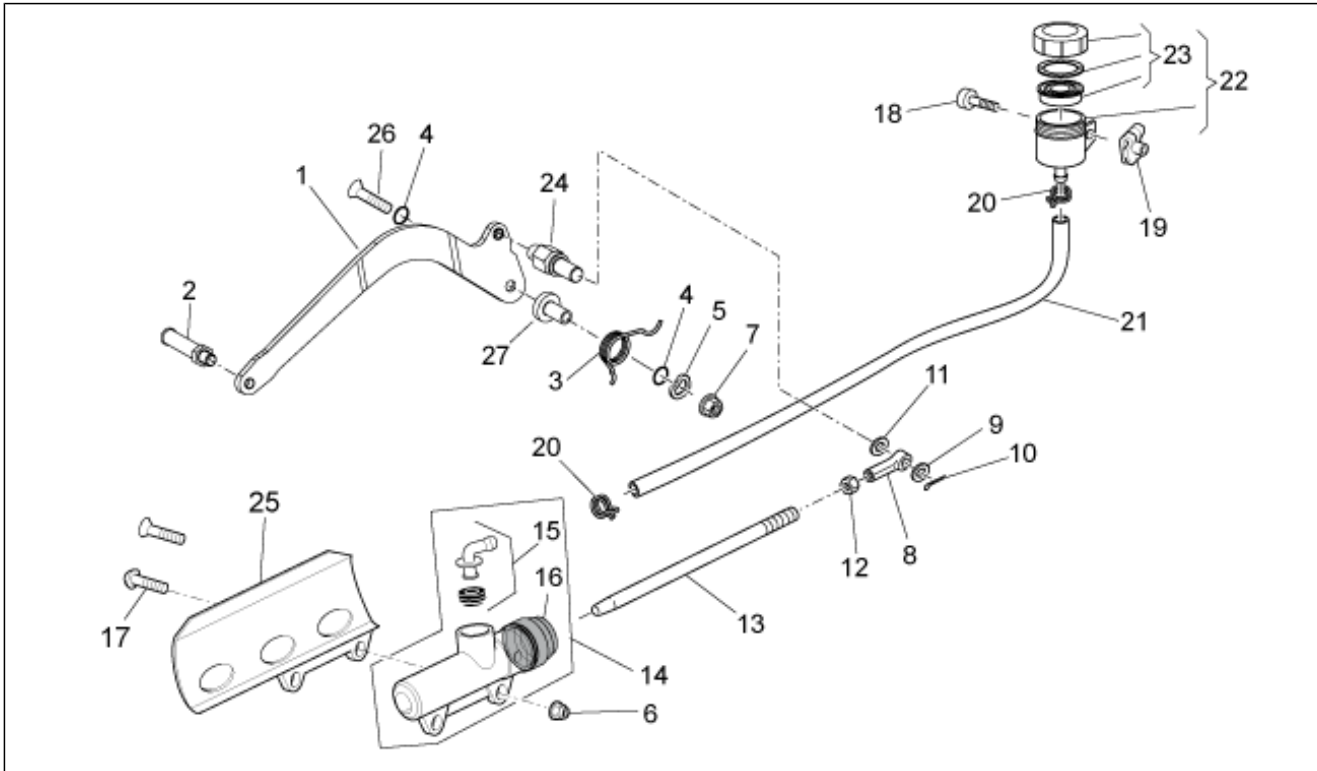
Pos.	Code	Description	Qty	Variants
1	B063702	Front wheel 2,5x18" Black	1	
2	GU32613160	Front hub	1	
3	B063144	Front wheel spoke	36	
4	GU03631250	Nipples	36	
5	B063077	Black front rim 2.5X18"	1	
6	GU31615283	Spacer	1	
7	GU92204221	Bearing	2	
8	GU90402642	Gasket ring	1	
9	GU31614183	Front wheel spindle	1	
10	883688	Front brake disc 320	1	
11	887762	Flanged TE screw M8x22	6	
12	GU31616384	LH spacer	1	
13	GU93180111	Cover 15 mm	1	
14	GU32615660	RH spacer	1	
15	GU14616150	Counterweight	1	
16	GU03612040	Tyre flap	1	
17	AP8150178	Washer 6,4x12,5*	1	
18	GU92630207	Nut	1	
19	887875	Phonic wheel	1	
20	859792	Sensor ABS	1	
21	2B001708	Spacer	1	
22	2B001561	Fairlead	1	
23	2B003032	Front tyre 100/90-18"	1	
24	GU31610160	Inner tube MB 18	1	

<b>Group</b>	FRAME
<b>Code</b>	33.25
<b>Description</b>	Rear wheel I
<b>Service</b>	1



Pos.	Code	Description	Qty	Variants
1	B063704	Rear wheel(complete) 3,5x17" Black	1	
2	GU32692260	Hub	1	
3	GU92204218	Bearing	1	
4	GU27633910	Spacer	1	
5	GU92204217	Bearing	1	
6	GU90402538	Gasket ring 25x40x7	1	
7	883350	Short spoke	18	
8	883349	Long spoke mm 158	18	
9	GU03631250	Nipples	36	
10	GU14616150	Counterweight	1	
11	B063078	Rear wheel 3,5"x17" Black	1	
12	887448	Brake disc	1	
13	894505	Screw w/ flange M8x18	6	
14	GU32633360	Rear wheel spindle	1	
15	GU31634481	Washer	1	
16	GU92606316	Nut M16x1,5	1	
17	GU32632510	Rubber coupling	6	
18	GU28612033	Tyre flap	1	
19	GU98612216	Hex socket screw	1	
20	GU98682312	Hex socket screw M6x12	2	
21	GU32636160	Support rubber part	1	
22	2B000225	Phonic wheel	1	
23	2B000377	Sensor support ABS	1	
24	859792	Sensor ABS	1	
25	2B003033	Rear tyre 130/80-17	1	
26	GU30630430	Inner tube MD 17	1	

<b>Group</b>	FRAME
<b>Code</b>	33.26
<b>Description</b>	Rear master cylinder
<b>Service</b>	1



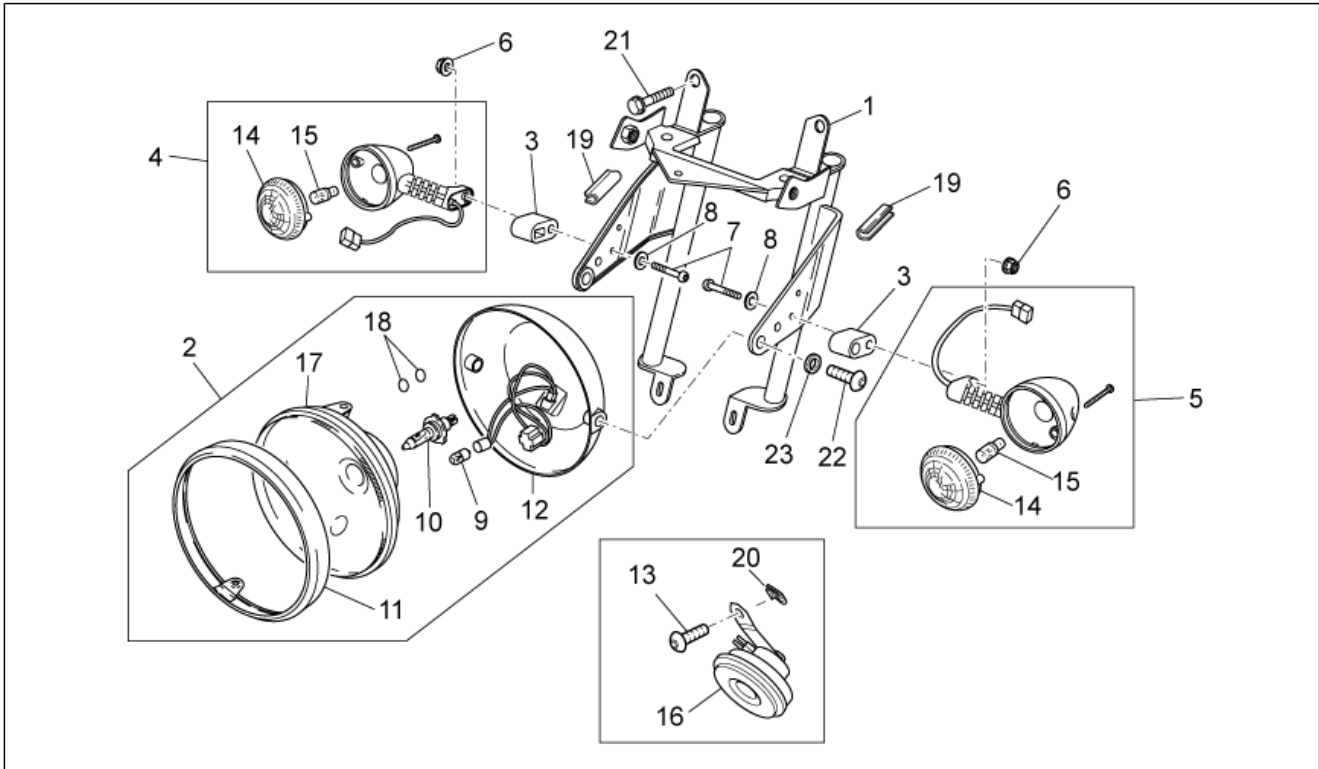
Pos.	Code	Description	Qty	Variants
1	887910	Brake lever	1	
2	2R000277	Rubber pedal	1	
3	978969	Spring	1	
4	AP8144007	O-ring 11,11x1,78	2	
5	GU95005310	Washer 8,4x18x2	1	
6	GU92630206	Nut M6x1	2	
7	GU92660021	Flanged nut M8	1	
8	GU18257551	Block	1	
9	GU95005308	Washer 8,4x14,57x1,6	1	
10	GU95500221	Split pin	1	
11	658837	Crinkle washer D15 F8,4 S1,5 - INOX	1	
12	GU92609007	Nut	1	
13	2B001597	Master cylinder rod	1	
14	2B000508	Rear master cylinder	1	
15	AP8213057	Rear brake pump union	1	
16	AP8113288	Rubber bellows	1	
17	GU98370625	Hex socket screw	2	
18	AP8152298	Screw w/ flange M5x16	1	
19	248419	Spring plate m5	1	
20	AP8101594	Hose clamp D10,1*	2	
21	GU00823950050	Oil pipe	1	
22	AP8113241	Brake oil tank complete	1	
23	AP8113553	Tank cap	1	
24	887911	Brake lever pin	1	
25	GU01665410	Brake m.cyl.protection, black	1	
26	B063443	Screw M8x50	1	
27	887952	Rear brake lever bush	1	

<b>Group</b>	FRAME
<b>Code</b>	33.27
<b>Description</b>	Rear brake caliper
<b>Service</b>	1



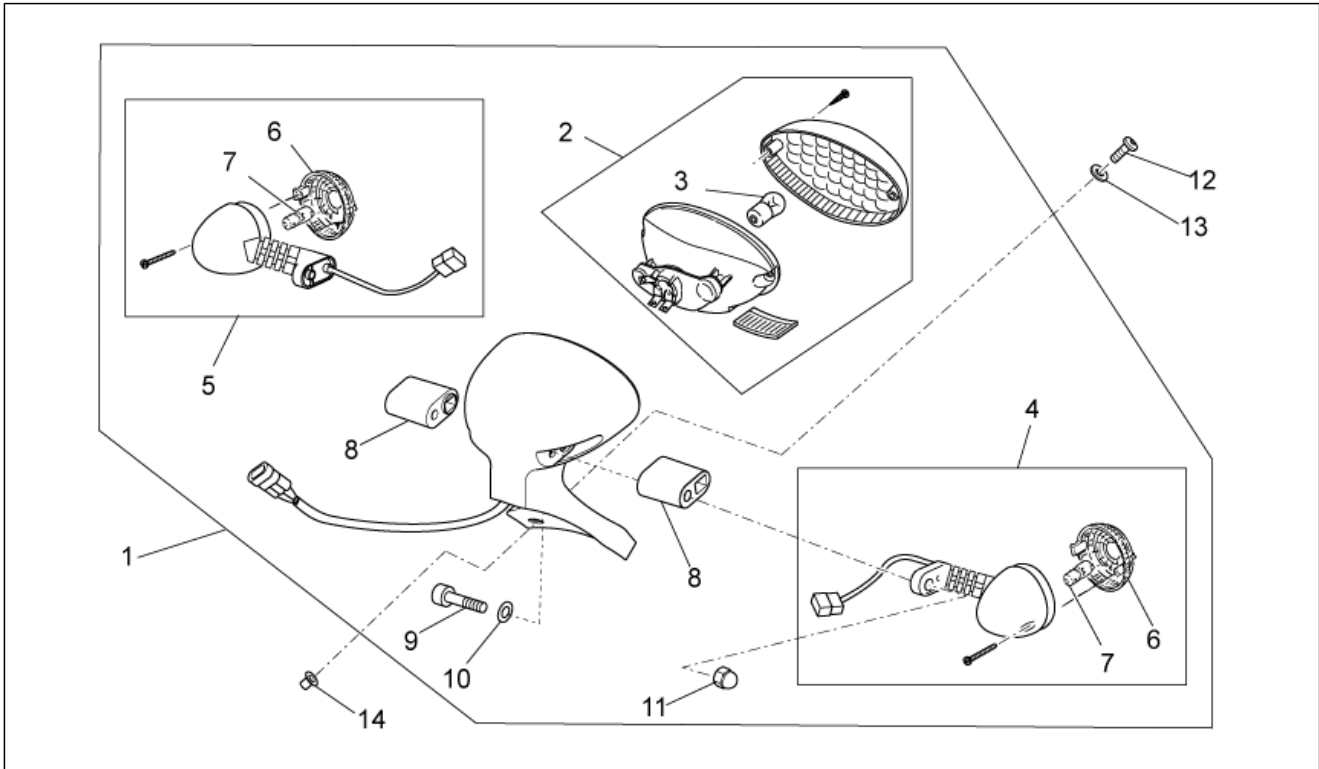
Pos.	Code	Description	Qty	Variants
1	2B000229	Brake caliper support plate	1	
2	GU31634281	Bushing	1	
3	GU31544181	Pin	1	
4	AP8152288	Screw w/ flange	1	
5	GU32634160	Spacer	4	
6	2B000525	Rear brake caliper	1	
7	2R000248	Brake pads torque	1	
8	GU31659281	Bleeder+cap	1	
9	GU31659181	Pins+spring kit	1	

<b>Group</b>	FRAME
<b>Code</b>	33.28
<b>Description</b>	Front lights
<b>Service</b>	1



Pos.	Code	Description	Qty	Variants
1	GU32506360	Headlight support clamp	1	
2	978311	Headlight	1	
3	GU32753410	Spacer	2	
4	B063800	RH front/LH rear turn indic.	1	
5	B063801	LH front/RH rear turn indic.	1	
6	GU92787006	Cap nut M6x1	2	
7	GU98370655	Hex socket screw	2	
8	GU95021206	Washer	2	
9	GU93450105	Lamp	1	
10	GU93450232	Lamp 12V-55/60W	1	
11	GU31740383	Chromed ring nut	1	
12	981149	Cap, black	1	
13	AP8150377	screw	2	
14	B063735	Turn indicator lens	2	
15	GU93450126	Lamp, orange	2	
16	890979	Horn	1	
17	GU06740400	Light assembly	1	
18	883417	O-ring	2	
19	GU00823931055	Gasket	1	
20	254485	Spring plate M6	2	
21	GU98880540	screw M10x40	2	
22	GU98692420	Hex socket screw M8x20	2	
23	GU95005308	Washer 8,4x14,57x1,6	2	

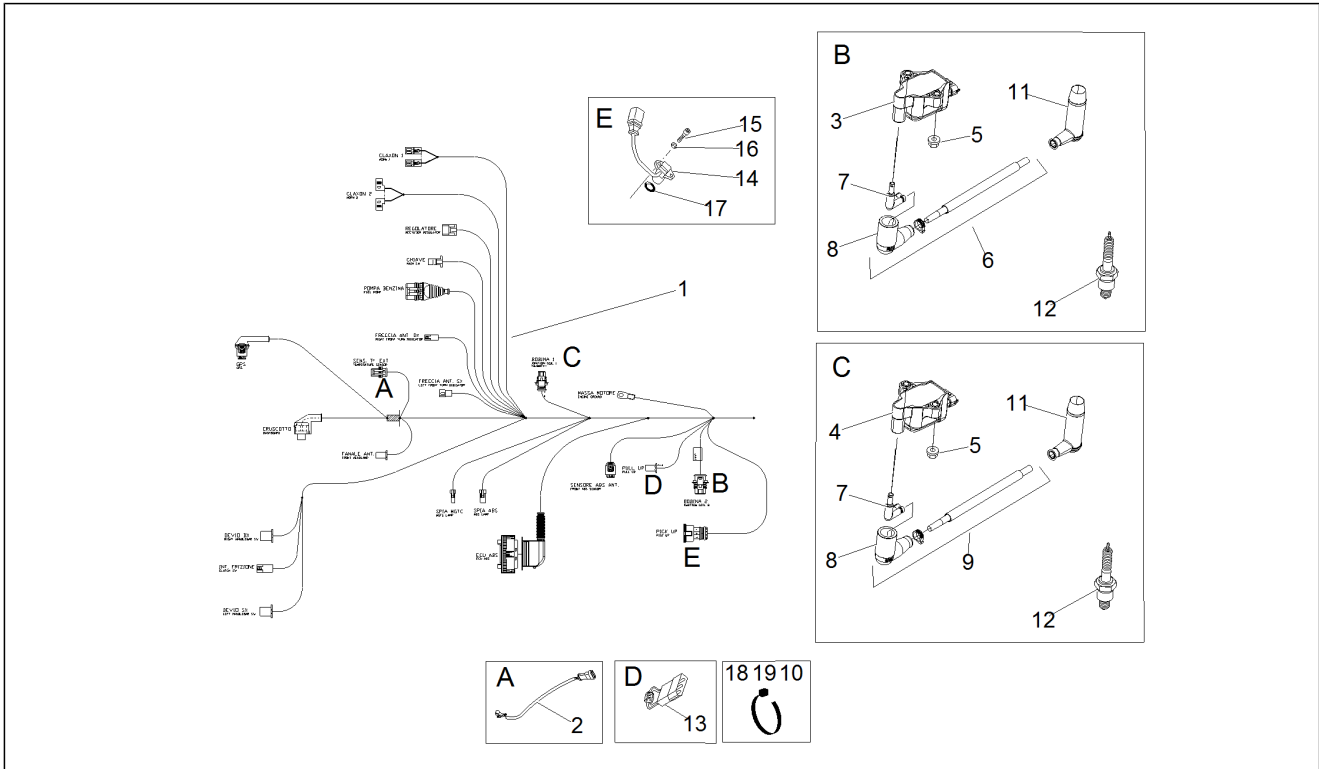
<b>Group</b>	FRAME
<b>Code</b>	33.29
<b>Description</b>	Rear lights
<b>Service</b>	1



Pos.	Code	Description	Qty	Variants
1	2B001748	Taillight	1	
2	GU03740930	Taillight	1	
3	GU93450224	Lamp	1	
4	B063800	RH front/LH rear turn indic.	1	
5	B063801	LH front/RH rear turn indic.	1	
6	B063735	Turn indicator lens	2	
7	GU93450126	Lamp, orange	2	
8	GU32753410	Spacer	2	
9	GU98370655	Hex socket screw	2	
10	GU95021206	Washer	2	
11	GU92787006	Cap nut M6x1	2	
12	GU98350215	Hex socket screw	3	
13	GU30577800	Nylon washer 5,5X12X1	3	
14	GU93231605	Antivibration bush	3	

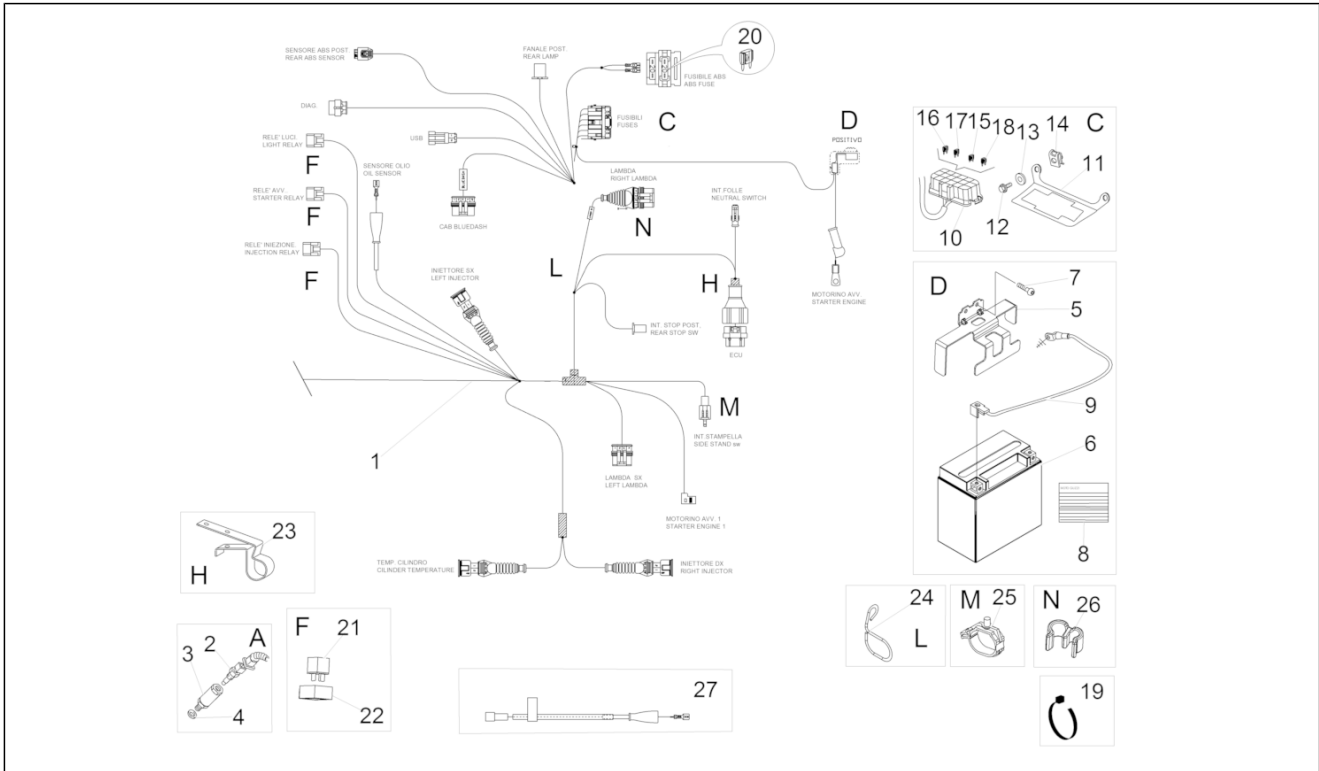


<b>Group</b>	FRAME
<b>Code</b>	33.30
<b>Description</b>	Electrical system I
<b>Service</b>	1



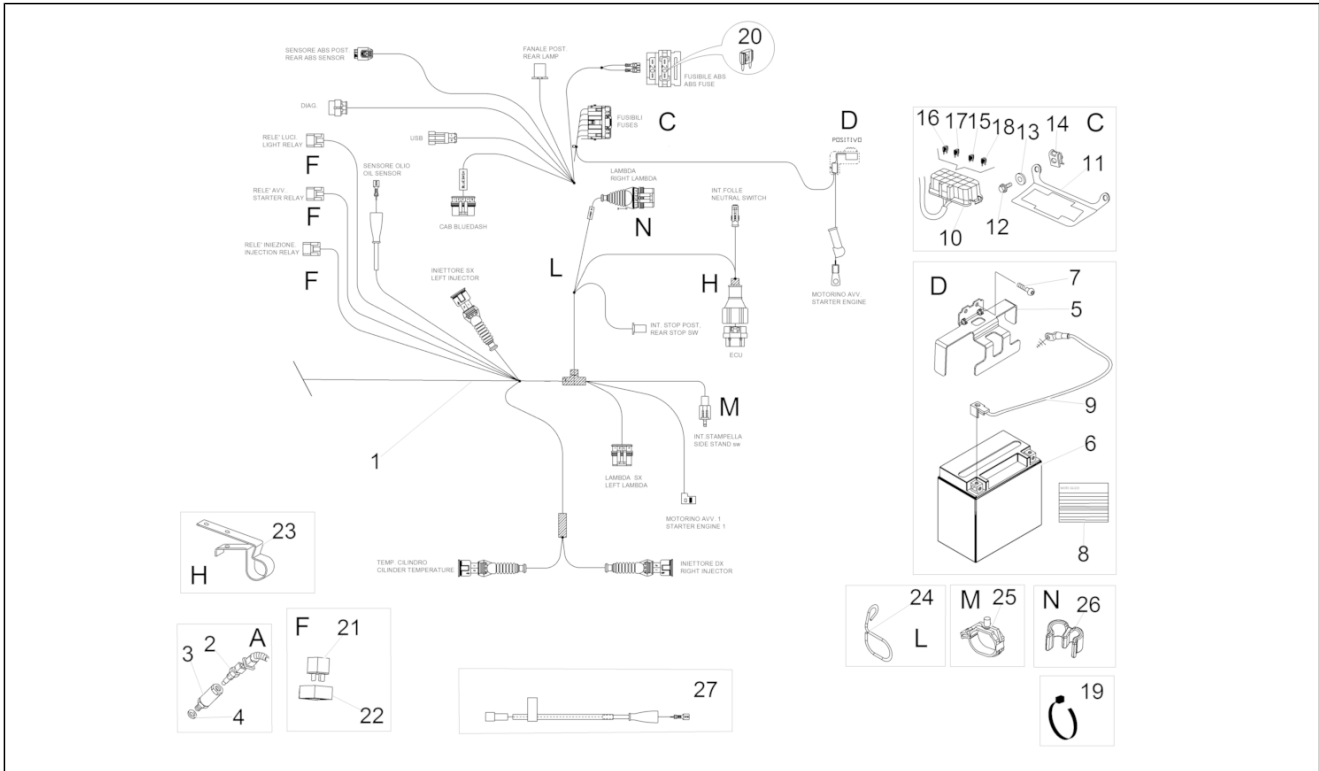
Pos.	Code	Description	Qty	Variants
1	2D000108	Main wiring harness	1	
2	AP8124936	Air temp. Sensor	1	
3	642034	HT coil DX	1	
4	641901	HT coil	1	
5	AP8152299	Self-locking nut M6	4	
6	2D000207	HT wire L=470	1	
7	641725	HV terminal	2	
8	641040	Insulating cap	2	
9	2D000206	HT wire L=580	1	
10	GU14609650	Hose clamp 3,6x20,6	31	
11	2D000247	Sparkplug cap	1	
12	887481	Spark plug NGK CPR8EB-9	2	
13	887948	Diode	1	
14	832029	Encoder sensor	1	
15	GU98682212	Hex socket screw M5x12	2	
16	GU95008205	Washer 5,3x10x0,8	2	
17	GU90706141	O-ring	1	
18	AP8120416	Black hose 178x4	1	
19	GU49609601	Hose clamp 2,4x92	1	

<b>Group</b>	FRAME
<b>Code</b>	33.31
<b>Description</b>	Electrical system II
<b>Service</b>	1



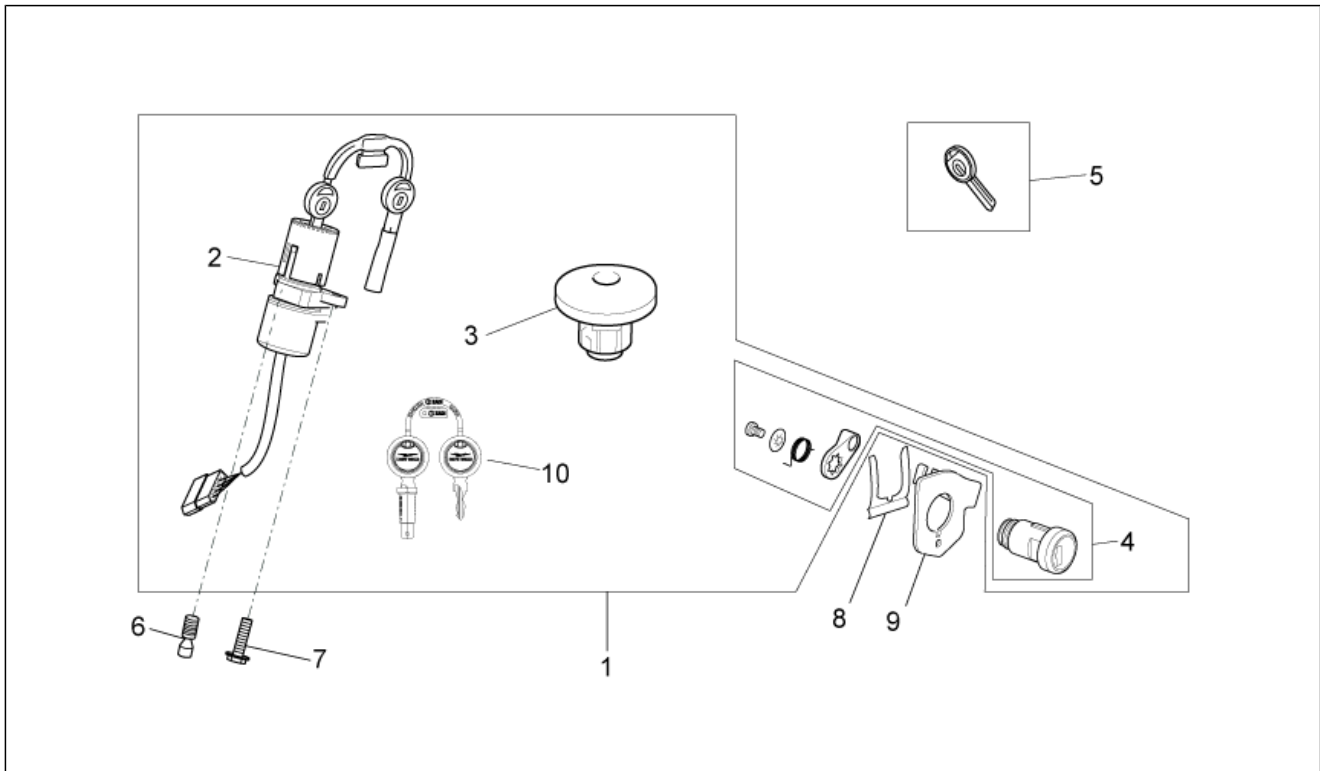
Pos.	Code	Description	Qty	Variants
1	2D000108	Main wiring harness	1	
2	GU29729461	Oil temperature sensor	1	
3	GU03163330	Sensor support	1	
4	GU95008210	Washer 10,2X18X2	4	
5	B063233	Battery bracket	1	
6	638733	Battery Yuasa 12V-12Ah (150x85x145)	1	
7	AP8152282	Screw w/ flange M6x35	2	
8	GU32517710	Decal "Battery service"	1	
9	GU32747910	Ground-battery lead	1	
10	584211	Fuse holder box	1	
11	883161	Fuse block support	1	
12	GU98682212	Hex socket screw M5x12	2	
13	GU95100059	Washer 5,25x14x1,5	2	
14	AP8102375	Clip m5	2	
15	CM225705	Fuse 5A	2	
16	CM225710	Fuse 10A	1	
17	CM225715	Fuse 15A	2	
18	CM225730	Fuse 30A	1	
19	AP8120416	Black hose 178x4	1	
19	GU14609650	Hose clamp 3,6x20,6	21	
19	GU49609601	Hose clamp 2,4x92	1	
20	CM225720	Fuse 20A	1	
21	AP8224462	Relay 12V-30A	3	
22	AP8220283	Rubber spacer *	3	
23	B043850	Hose clamp	1	
24	AP8181140	Fairlead	1	
25	CM013202	Pipes/cables retainer spring	1	
26	894704	Fairlead	1	

<b>Group</b>	FRAME
<b>Code</b>	33.31
<b>Description</b>	Electrical system II
<b>Service</b>	1



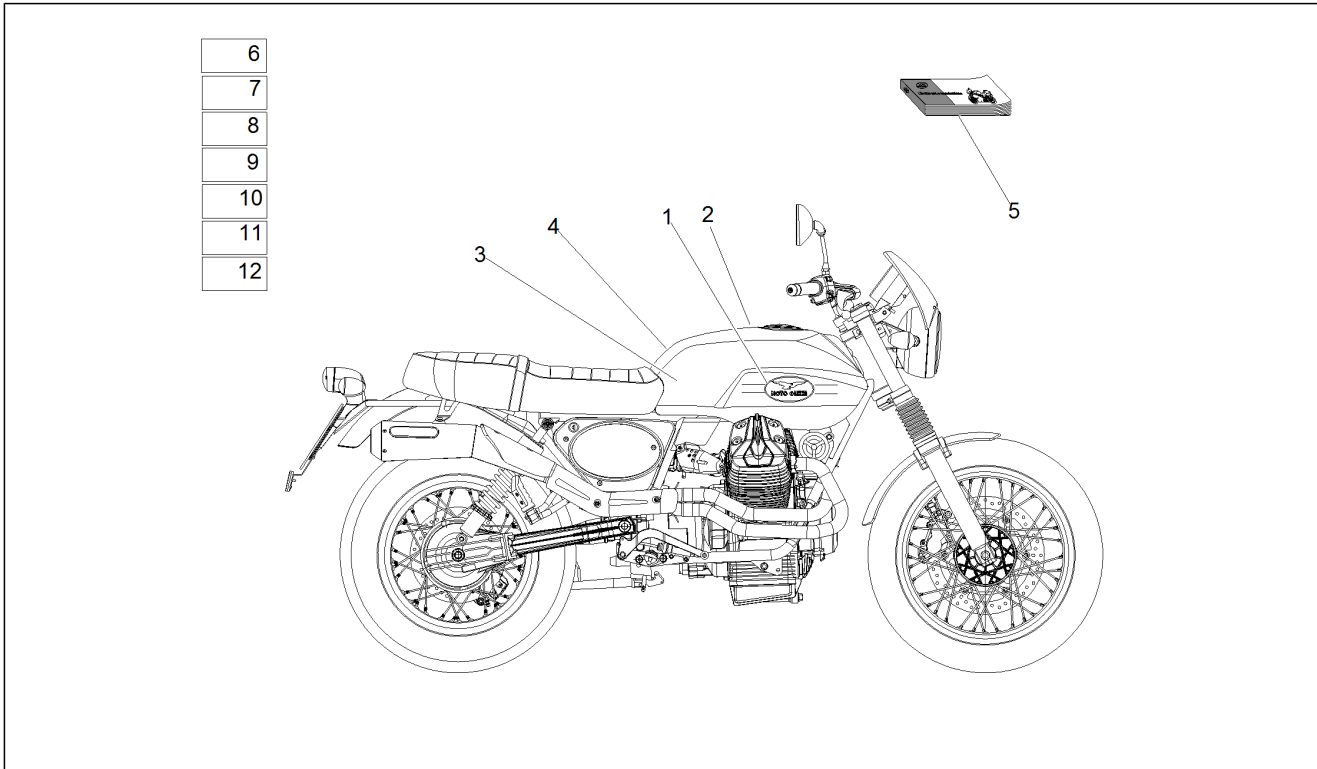
Pos.	Code	Description	Qty	Variants
27	2D000202	Oil pressure wiring	1	

<b>Group</b>	FRAME
<b>Code</b>	33.32
<b>Description</b>	Lock hardware kit
<b>Service</b>	1



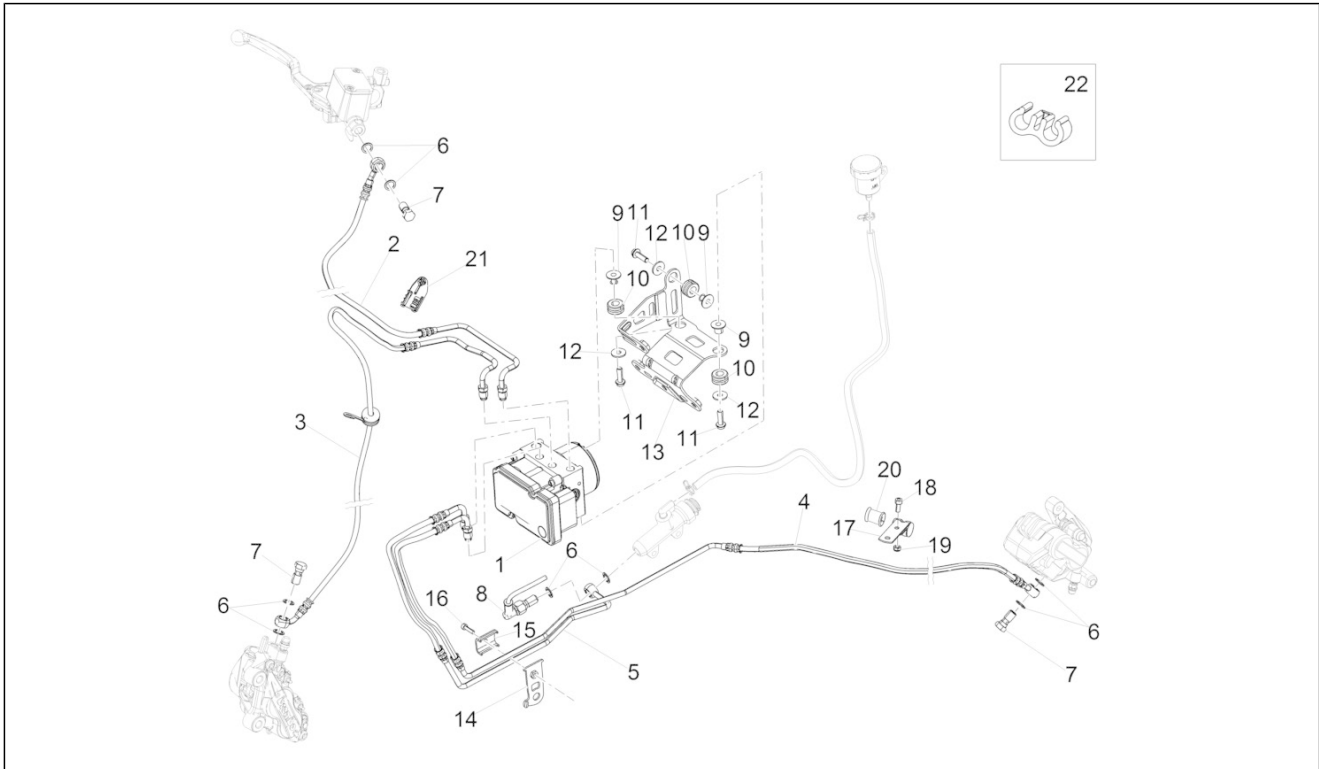
Pos.	Code	Description	Qty	Variants
1	883477	Lock kit	1	
2	GU32782510	Ignition lock with key	1	
3	883476	Tank cap	1	
4	977527	Locking complete with keys	1	
5	GU32735510	Non indent.key blank-shell go	1	
6	AP8150349	Special screw M8x15	1	
7	GU98682416	Hex socket screw M8x16	1	
8	AP8121420	Fork spring	1	
9	978415	Cable fixing plate	1	
10	2D000006	Locking cylinder with key for fuel cap	1	

<b>Group</b>	FRAME
<b>Code</b>	33.33
<b>Description</b>	Decal and plate set
<b>Service</b>	1



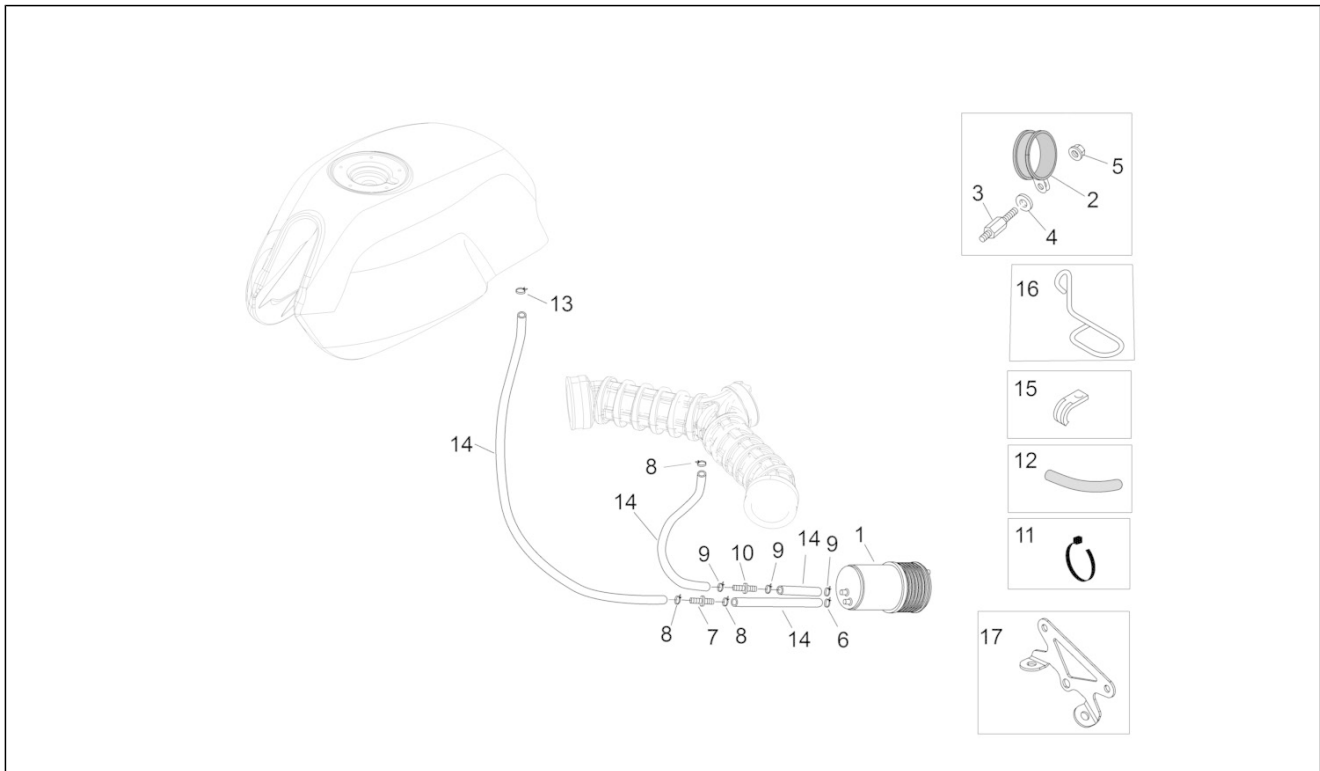
Pos.	Code	Description	Qty	Variants
1	2H001363	Tank right band decal	1	
2	2H001364	Tank left band decal	1	
3	886658	Right tank protection	1	
4	886659	Left tank protection	1	
5	2Q000158	Op's handbook I-D-F-E-UK-NL ENUS-FR-ES-IT	1	
6	2G000149	***NOISE EMISSION STICKER - USA MY16	1	
7	2G000074	Shed scheme decal	1	
8	2G000151	***EMISSIONS STICKER - USA MY16	1	
9	B045974	Fuel decal E15	1	
10	AP8157100	Decal Shock Adsorber	1	
11	AP8257609	Mirror decal	1	
12	2G000150	***TIRES PRESSURE STICKER - USA MY16	1	

<b>Group</b>	FRAME
<b>Code</b>	33.36
<b>Description</b>	ABS Brake system
<b>Service</b>	1



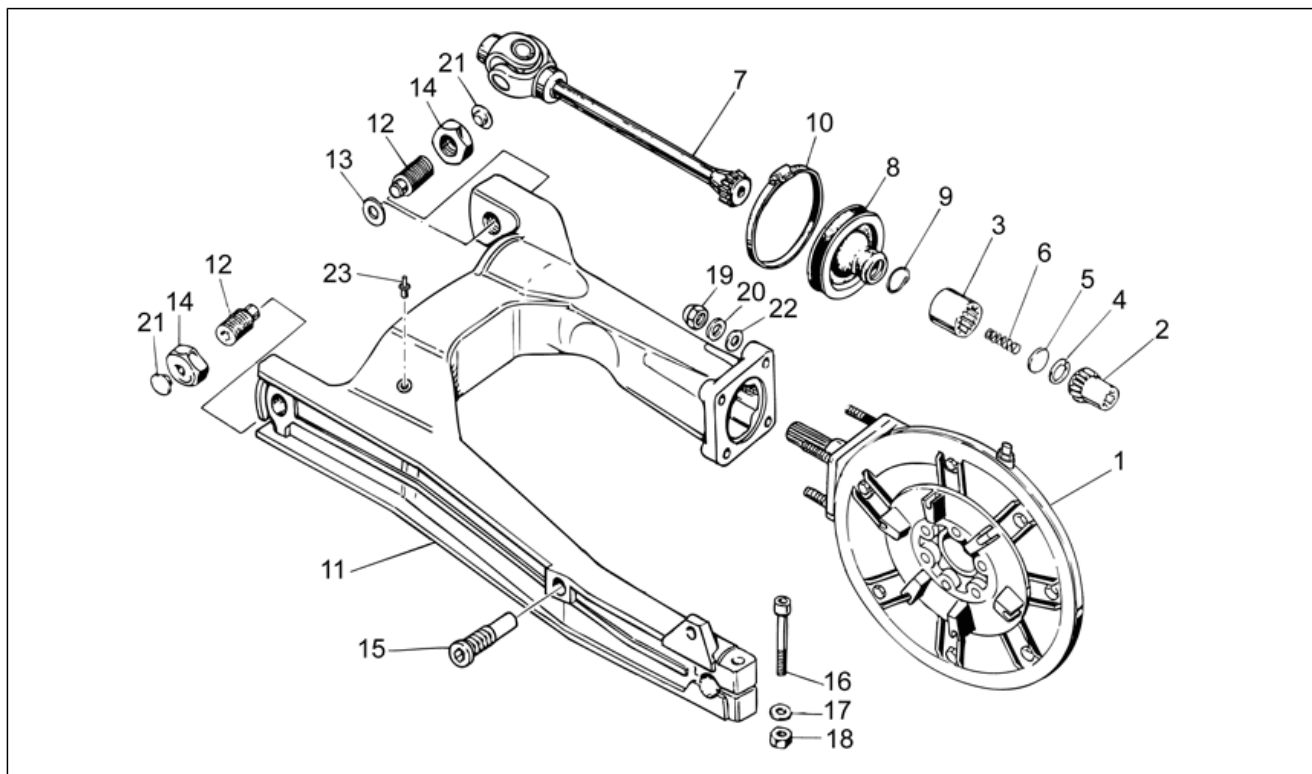
Pos.	Code	Description	Qty	Variants
1	2D000102	ABS control unit	1	
2	2B001557	ABS control unit front pump pipe	1	
3	2B001558	ABS control unit front clamp pipe	1	
4	2B001556	ABS control unit rear clamp pipe	1	
5	2B001555	ABS control unit rear pump pipe	1	
6	AP8113004	Washer 10x14x1,6*	8	
7	AP8113003	Oil pipe screw	4	
8	854973	Stop switch	1	
9	AP8221023	T bush	3	
10	AP8120030	Rubber spacer	3	
11	AP8152279	Screw w/ flange M6x20	3	
12	AP8150015	Washer 6,6x18x1,6*	3	
13	2B001016	ABS control unit support	1	
14	2B001564	Brake hose holder plate	1	
15	2B001614	Pipe fixing plate	1	
16	959559	Hex socket screw M4x16	1	
17	GU03658330	Hose clamp	1	
18	895709	Hex socket screw M5x12	1	
19	AP8150451	Low self-locking nut	1	
20	GU03658201	Ring	1	
21	2B001570	Brake hose holder plate	1	
22	2B000276	Staple	2	

<b>Group</b>	FRAME
<b>Code</b>	33.48
<b>Description</b>	Fuel vapour recover system
<b>Service</b>	1



Pos.	Code	Description	Qty	Variants
1	AP8102678	Carbon filter	1	
2	AP8102688	Hose clamp d.76	1	
3	GU32439260	Canister support USA	1	
4	GU95005311	Washer	1	
5	AP8152299	Self-locking nut M6	1	
6	AP8102159	Hose clamp	1	
7	860138	Valve	1	
8	GU28157950	Hose clip 12,5x8	4	
9	AP8120446	Hose clip, green D11x6,6x1	2	
10	AP8121267	Choke hold	1	
11	AP8120416	Black hose 178x4	1	
12	GU00823923140	Thermal sheath	4	
13	AP8201358	Hose clamp D 11,9	1	
14	856063	pipe SAE 30 d.12,7x6,35	3	
15	GU93301313	U-bolt	1	
16	AP8221114	Cable-guide	2	
17	2B002261	Canister support	1	

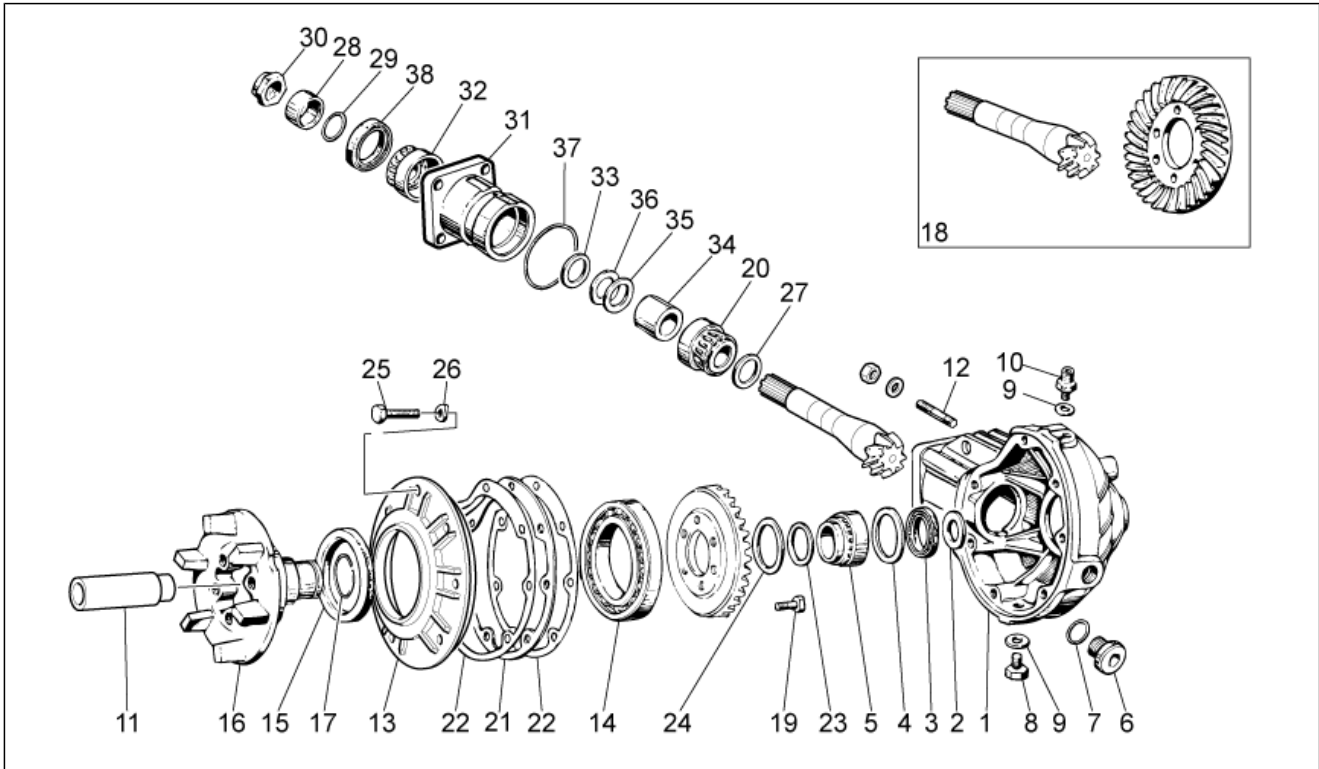
<b>Group</b>	ENGINE
<b>Code</b>	34.09
<b>Description</b>	Transmission complete I
<b>Service</b>	1



Pos.	Code	Description	Qty	Variants
1	976941	Transmission box assy., black	1	
2	GU31327783	Hose	1	
3	GU19328801	Hose	1	
4	GU90272023	Circlip	1	
5	GU19327601	Disc	1	
6	GU94321099	Spring	1	
7	GU23328081	Coupling	1	
8	GU23548080	Protection collar	1	
9	GU23548180	Spring	1	
10	AP8120246	Hose clamp D=60-80	1	
11	2B001959	Swing arm, black	1	
12	GU19547000	Pin	2	
13	GU35214300	Spacer	1	
14	GU31547882	Nut	2	
15	GU31544181	Pin	1	
16	GU98680545	screw M10x45	1	
17	GU95008210	Washer 10,2X18X2	1	
18	GU92606210	Nut M10x1,5	1	
19	860651	Cap nut M8x1,25	4	
20	GU14615901	Washer 8,4X13X0,8	4	
21	GU93180105	Cover	2	
22	GU95005308	Washer 8,4x14,57x1,6	4	
23	GU03922280	Cover 5x9	1	

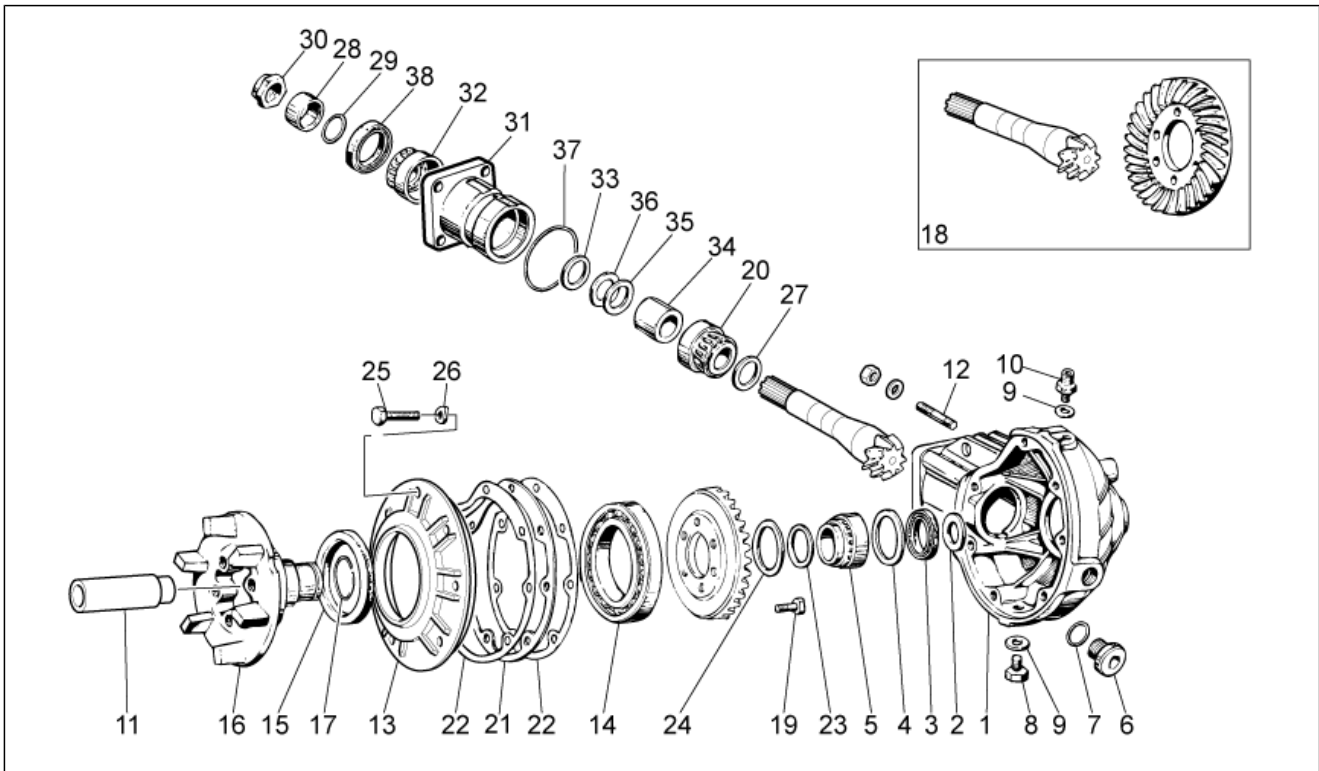


<b>Group</b>	ENGINE
<b>Code</b>	34.10
<b>Description</b>	Transmission complete II
<b>Service</b>	1



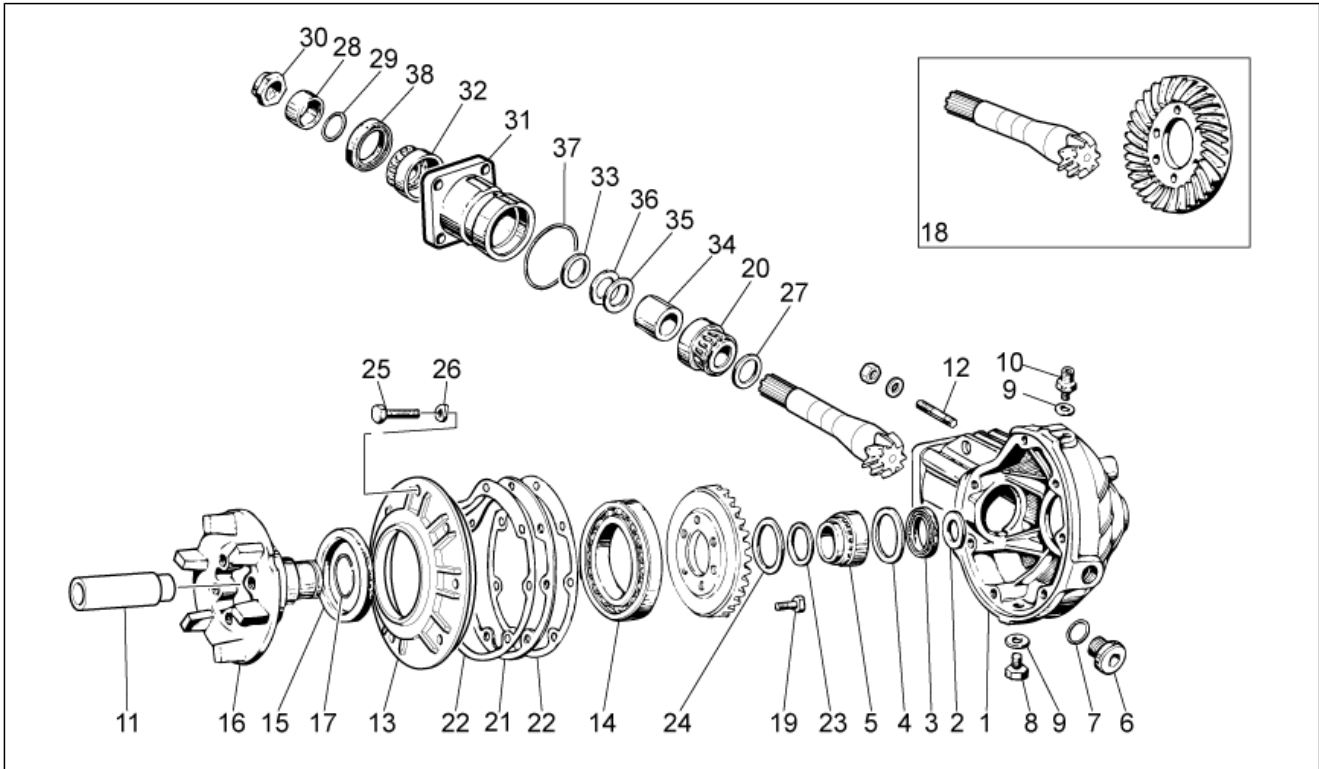
Pos.	Code	Description	Qty	Variants
1	976608	Transmission housingblack	1	
2	GU19351900	Clearance washer	1	
3	GU90403549	Gasket ring 35x47x7	1	
4	GU19351100	Clearance washer	1	
5	GU92252235	Roller bearing 35x50x17	1	
6	GU12022600	Oil plug	1	
7	GU90706203	O-ring 20,24x2,62	1	
8	GU31003766	Oil unload plug M10x1	1	
9	GU01528930	Gasket 10x18x1,5	2	
10	GU19206501	Breather plug	1	
11	GU32633560	Spacer	1	
12	GU96508055	Stud bolt	4	
13	GU32350410	Cover	1	
14	GU92201070	Ball bearing 70x110x13	1	
15	GU90407591	Gasket ring 75x95x10	1	
16	GU32351410	Pin	1	
17	GU90353030	Stop ring	1	
18	GU32354610	Bevel gear 8/33	1	
19	GU03067730	screw M8x25	6	
20	GU92249227	Tap.roller bearing 25x5	1	
21	GU19355400	Spacer 0,8 mm	1	
21	GU19355402	Spacer 0,9 mm	1	
21	GU19355404	Spacer 1 mm	1	
21	GU19355406	Spacer 1,1 mm	1	
21	GU19355408	Spacer 1,2 mm	1	
21	GU19355410	Spacer 1,3 mm	1	
21	GU19355411	Spacer 1,4 mm	1	
21	GU19355412	Spacer 1,5 mm	1	

<b>Group</b>	ENGINE
<b>Code</b>	34.10
<b>Description</b>	Transmission complete II
<b>Service</b>	1



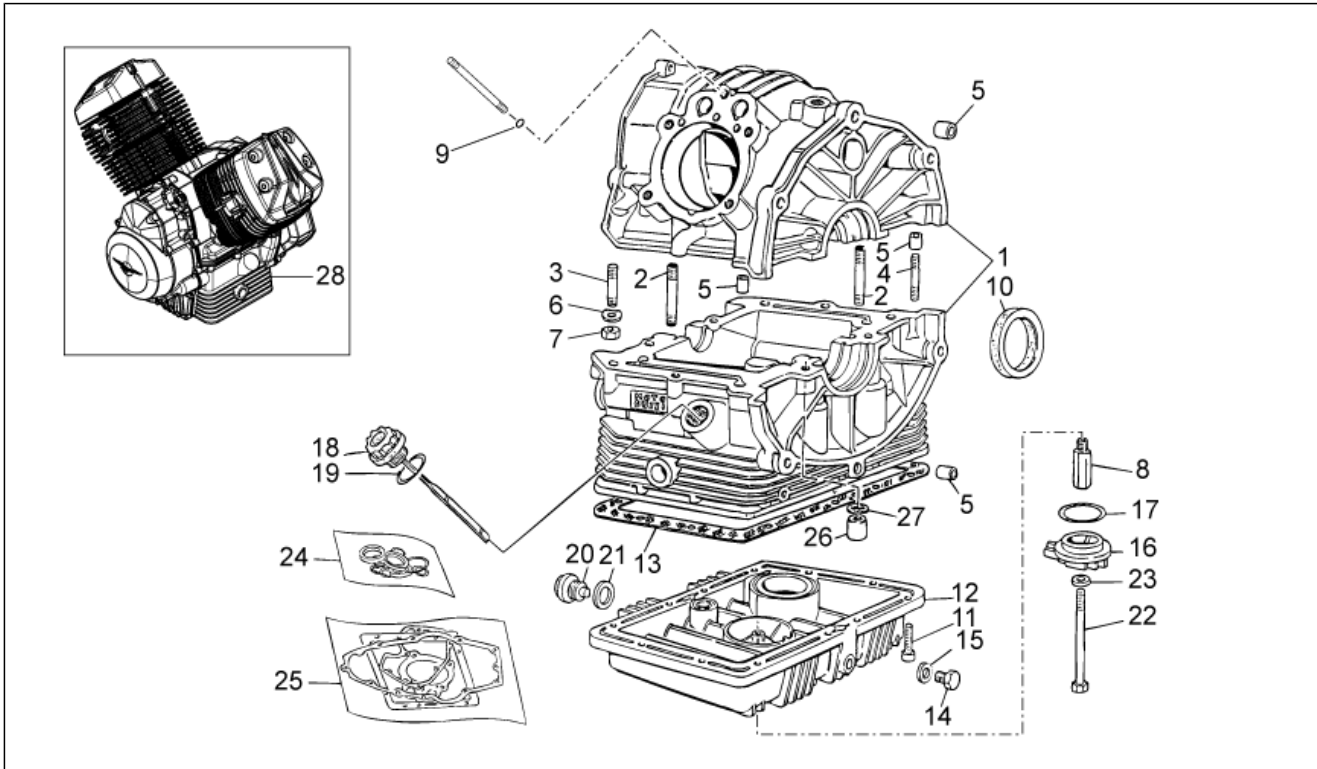
Pos.	Code	Description	Qty	Variants
21	GU19355413	Spacer 1,6 mm	1	
22	2A000382	Gasket	2	
22	GU19350700	Gasket	2	
23	GU19352300	Thrust washer	1	
24	GU19353500	Thrust washer	1	
25	GU19357660	screw	7	
26	GU61270300	Spring washer 8x15x0,3	7	
27	2B002318	Spacer 0,2 mm	1	
27	2B002319	Spacer 0,3 mm	1	
27	2B002320	Spacer 0,4 mm	1	
27	2B002424	Spacer 0,5 mm	1	
27	2B002425	Spacer 0,6 mm	1	
27	2B002426	Spacer 0,7 mm	1	
27	GU19355320	Spacer 1 mm	1	
27	GU19355321	Spacer 1,1 mm	1	
27	GU19355322	Spacer 1,2 mm	1	
27	GU19355323	Spacer 1,3 mm	1	
27	GU19355324	Spacer 1,4 mm	1	
27	GU19355325	Spacer 1,5 mm	1	
27	GU19355326	Spacer 1,6 mm	1	
27	GU19355327	Spacer 1,7 mm	1	
27	GU19355328	Spacer 1,8 mm	1	
27	GU19355329	Spacer 1,9 mm	1	
28	GU19356801	Spacer	1	
29	GU90706188	Gasket ring 18,77X1,78	1	
30	GU19356700	Nut	1	
31	GU20352421	Flange	1	
32	GU92249220	Roller bearing 20x47x14	1	

<b>Group</b>	ENGINE
<b>Code</b>	34.10
<b>Description</b>	Transmission complete II
<b>Service</b>	1



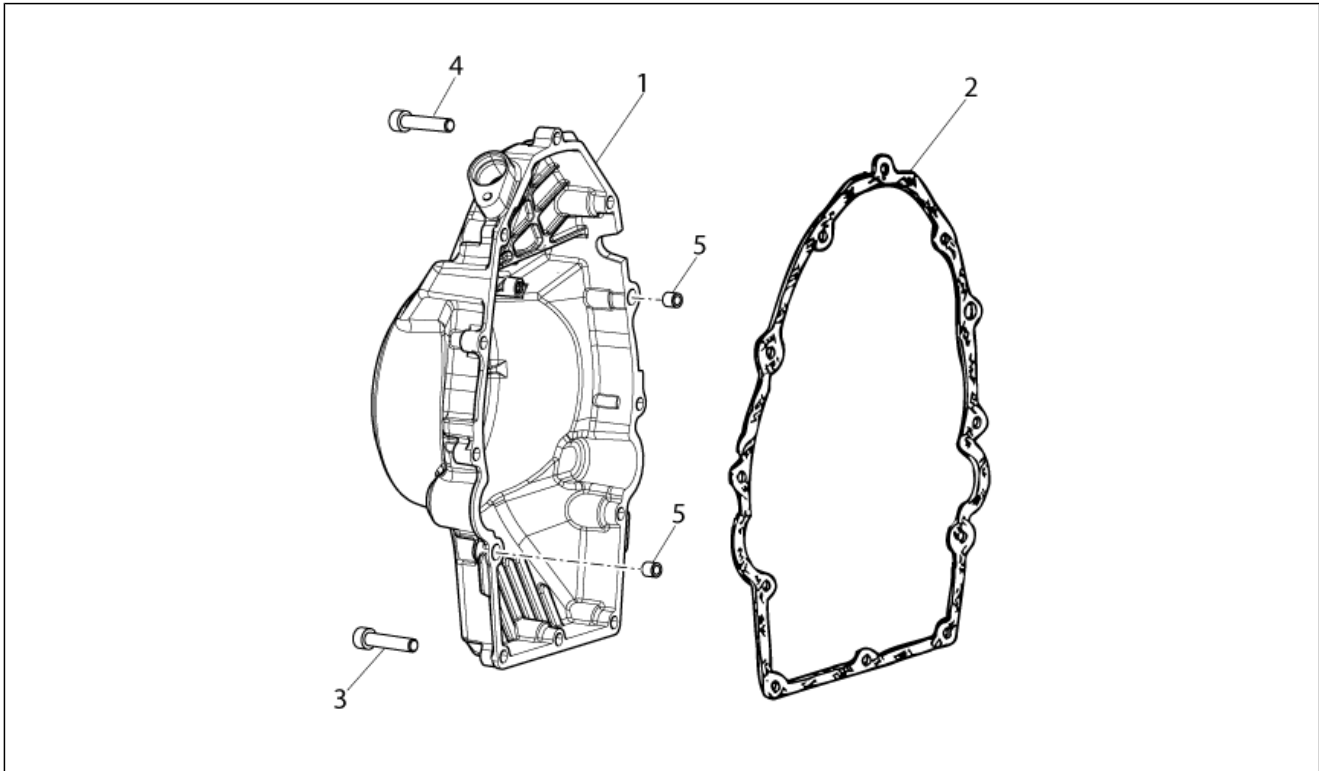
Pos.	Code	Description	Qty	Variants
33	GU19355300	Spacer 1 mm	1	
33	GU19355301	Spacer 1,1 mm	1	
33	GU19355302	Spacer 1,2 mm	1	
33	GU19355303	Spacer 1,3 mm	1	
33	GU19355304	Spacer 1,4 mm	1	
33	GU19355305	Spacer 1,5 mm	1	
33	GU19355306	Spacer 1,6 mm	1	
33	GU19355307	Spacer 1,7 mm	1	
33	GU19355308	Spacer 1,8 mm	1	
33	GU19355309	Spacer 1,9 mm	1	
34	GU20355121	Spacer	1	
35	GU19355200	Shim 0,1 mm	1	
36	GU19355202	Shim 0,15 mm	1	
	GU90706584	Gasket 58,42x2,62	1	
38	GU90403251	Gasket ring 32x47x10	1	

<b>Group</b>	ENGINE
<b>Code</b>	34.34
<b>Description</b>	Crank-case
<b>Service</b>	1



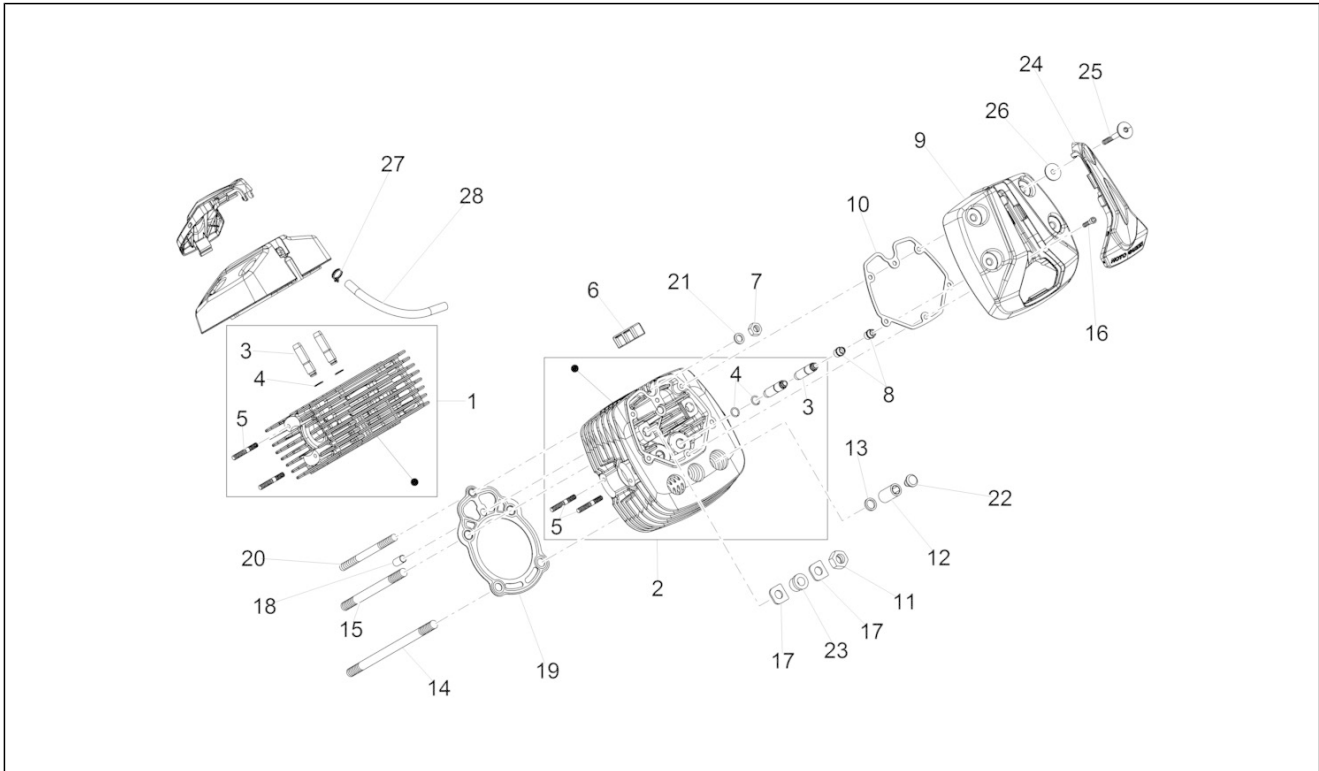
Pos.	Code	Description	Qty	Variants
1	2A0002355	Crankcase assy	1	
2	GU96451560	Stud bolt	4	
3	GU96451430	Stud bolt	4	
4	GU96508055	Stud bolt	2	
5	GU19015020	Bushing	4	
6	GU61270300	Spring washer 8x15x0,3	6	
7	GU92606208	Nut M8x1,25	6	
8	GU19003800	Joint	1	
9	GU90706076	O-ring	2	
10	886365	Gasket ring	1	
11	GU98682325	Hex socket screw M6x25	12	
12	976604	Oil sump black	1	
13	887004	Sump gasket	1	
14	GU31003766	Oil unload plug M10x1	1	
15	GU10528900	Gasket	1	
16	1A005199	Oil filter cover	1	
17	GU90706444	O-ring	1	
18	883826	Oil load plug	1	
19	GU90706281	O-ring 28,24x2,62	1	
20	GU12003702	Oil unload plug	1	
21	GU95100709	Gasket 20,1x28x2	1	
22	GU27152885	Bolt	1	
23	GU12154200	Gasket 8,25x15x1	1	
24	GU32999510	Oil seals - set	1	
25	GU32999010	Gasket set	1	
26	GU13021900	Column nut	4	
27	GU95129180	Washer 10,5X18X0,8	4	
28	2L0002405	Engine assy w/hout transm.	1	

<b>Group</b>	ENGINE
<b>Code</b>	34.35
<b>Description</b>	Timing system cover
<b>Service</b>	1



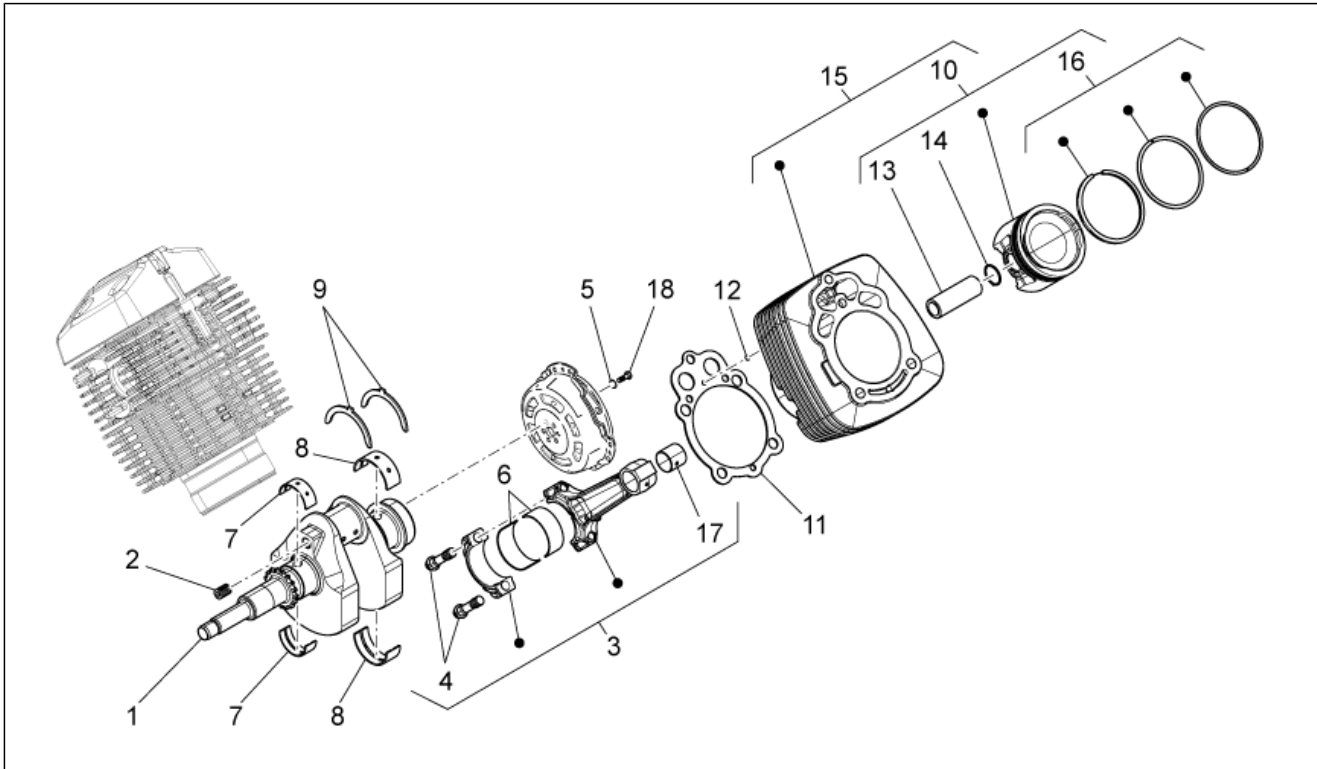
Pos.	Code	Description	Qty	Variants
1	2A000085	Cover	1	
2	887003	Cover gasket	1	
3	GU98682325	Hex socket screw M6x25	10	
4	GU98682330	Hex socket screw M6x20	2	
5	GU19002020	Bushing 6,6x9x13	2	

<b>Group</b>	ENGINE
<b>Code</b>	34.36
<b>Description</b>	Cylinder head
<b>Service</b>	1



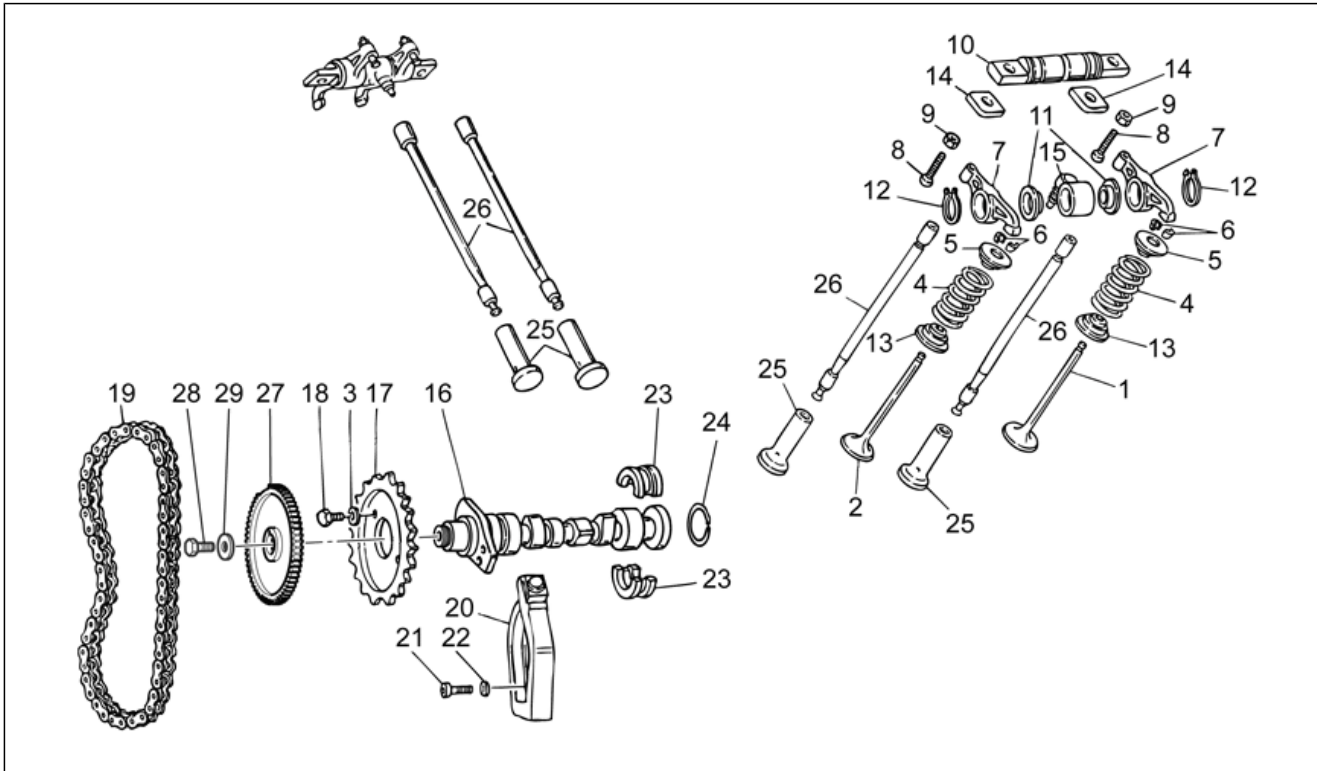
Pos.	Code	Description	Qty	Variants
1	2A000188	RH cylinder head	1	
2	2A000189	LH cylinder head	1	
3	GU61036801	Valve guide	4	
4	GU90353009	Snap ring	4	
5	GU96506042	Stud bolt	4	
6	B063111	Damping plug	4	
7	GU19021920	Nut	2	
8	GU19037820	Oil seal	4	
9	887523	Head cover	2	
10	887002	Head cover gasket	2	
11	GU92603010	Nut M10X1,5	4	
12	GU13021900	Column nut	4	
13	GU95129180	Washer 10,5X18X0,8	4	
14	GU96510214	Stud bolt M10x214	4	
15	GU96510181	Stud bolt M10x182	4	
16	GU98692325	Hex socket screw M6x25	4	
17	GU19032980	Spacer	8	
18	GU19021360	Bushing	2	
19	B063099	Cylinder head gasket	2	
20	976898	Stud bolt M8x140	2	
21	GU61270300	Spring washer 8x15x0,3	2	
22	GU93180245	Cover	4	
23	AP8144071	Rubber exhaust	1	
24	887279	Spark plug cover	2	
25	887483	Head cover screw M6x52.5	8	
26	969973	Washer	8	
27	AP8201358	Hose clamp D 11,9	1	
28	2B001204	Blow-by pipe	1	

<b>Group</b>	ENGINE
<b>Code</b>	34.37
<b>Description</b>	Crankshaft cpl.
<b>Service</b>	1



Pos.	Code	Description	Qty	Variants
1	2A0000995	Drive shaft	1	
2	GU19065400	Cover	1	
3	GU27061585	Connecting rod cpl.	2	
4	GU19062261	screw	4	
5	GU14615901	Washer 8,4X13X0,8	6	
6	GU27062060	Bearing half-shell	4	
7	GU27065660	Front main half-bearing	2	
8	GU27066560	Rear main half-bearing	2	
9	GU27066460	Half-clamp	2	
10	8872690001	Piston complete with 80 Cat. D	1	
10	8872690002	Piston complete with 80 Cat. E	1	
10	8872690003	Piston complete with 80 Cat. F	1	
11	886670	Cylinder gasket	2	
12	GU61027200	O-ring	2	
13	B063016	Piston pin	2	
14	874567	Stop ring	4	
15	B063465	Cylinder with piston	2	
16	B063466	Pistonring set	2	
17	GU27061885	Bushing	2	
18	GU19067700	screw	6	

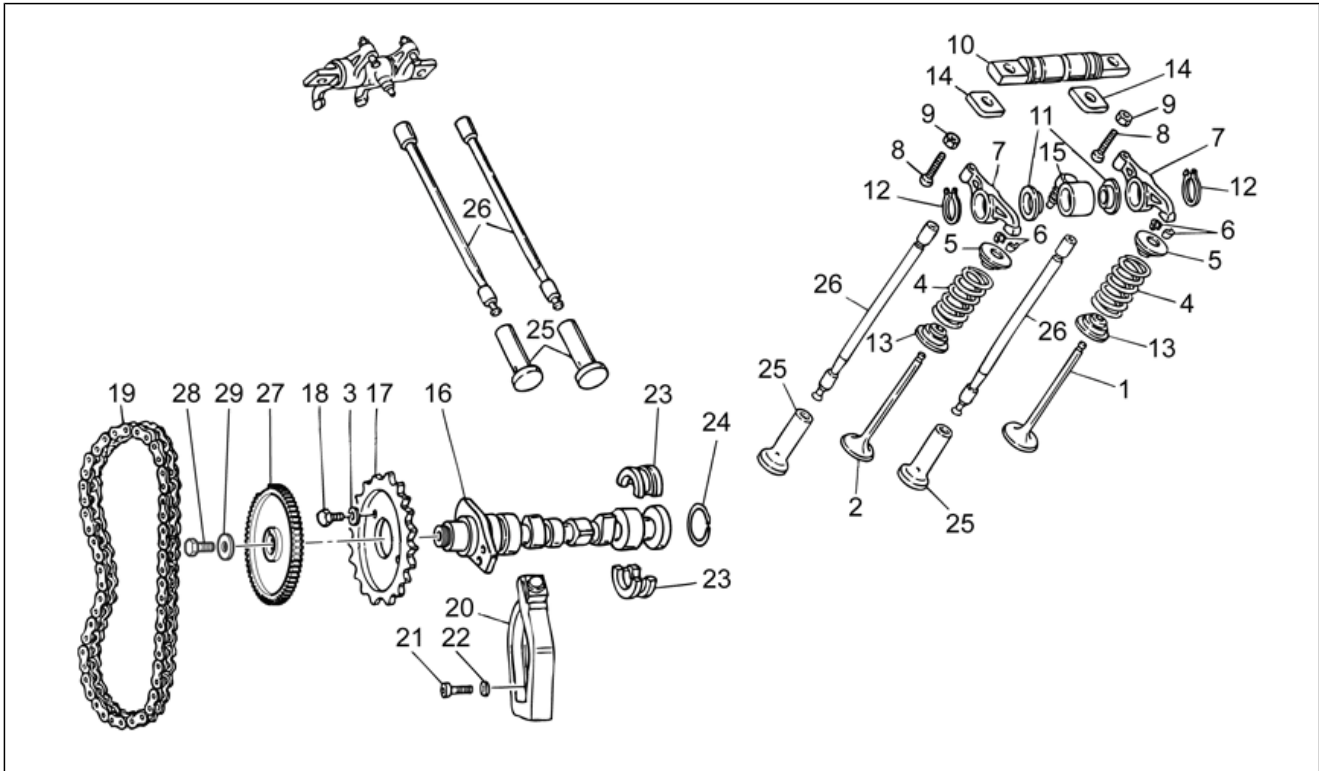
<b>Group</b>	ENGINE
<b>Code</b>	34.38
<b>Description</b>	Timing system
<b>Service</b>	1



Pos.	Code	Description	Qty	Variants
1	2A000146	Valve, in	2	
2	2A000147	Exhaust valve	2	
3	GU23217800	Safety washer	2	
4	GU27037521	Spring	4	
5	GU31038015	Upper cup	4	
6	GU61038100	Half-cone	8	
7	GU19030500	Rocker arm assy.	4	
8	GU19034000	screw	4	
9	GU92602406	Nut M6x1	4	
10	GU19032080	Rocker shaft	2	
11	GU32032310	Thrust washer	4	
12	GU90271018	Circlip	4	
13	GU31037015	Lower cup	4	
14	GU19032980	Spacer	4	
15	GU19027500	Hose	2	
16	GU32053410	Camshaft	1	
17	GU32054510	Timing system gear	1	
18	GU61054900	Bolt	2	
19	GU19058021	Camshaft chain	1	
20	GU19058220	Chain stretching drive	1	
21	GU98882316	screw	1	
22	GU95129115	Washer	1	
23	GU19055700	Sector	2	
24	GU90353029	Snap ring	1	
25	GU19045861	Tappet	4	
26	GU31045015	Rocker arm rod	4	
27	887528	Phonic wheel	1	
28	GU98054422	screw M8x22	1	

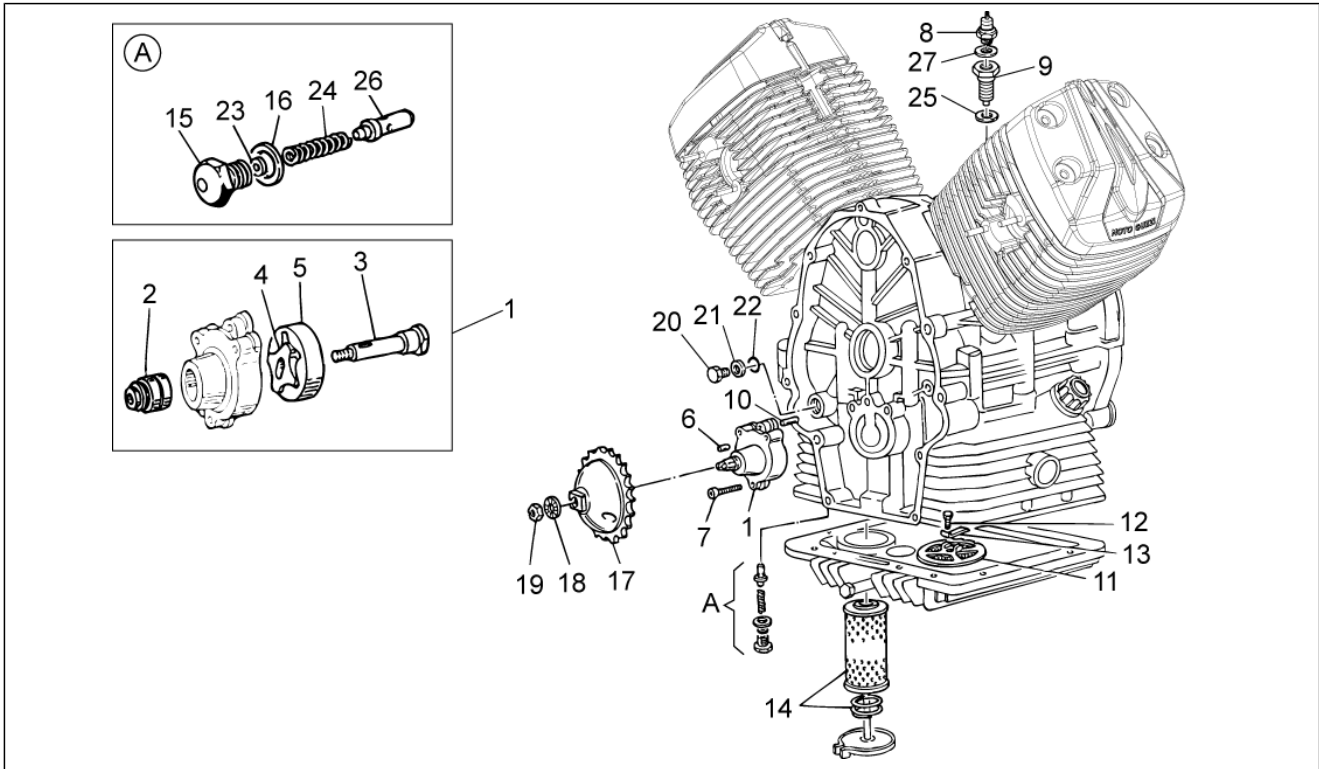


<b>Group</b>	ENGINE
<b>Code</b>	34.38
<b>Description</b>	Timing system
<b>Service</b>	1



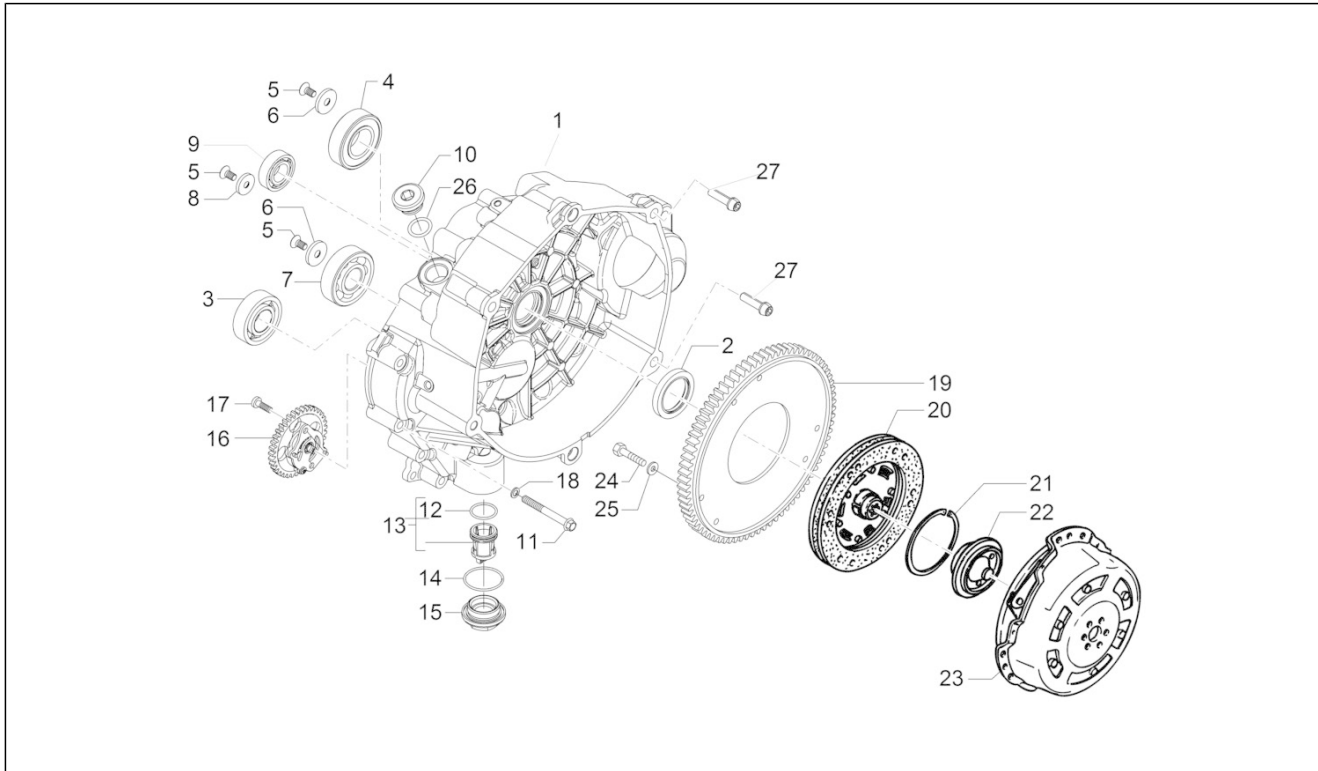
Pos.	Code	Description	Qty	Variants
29	GU95100244	Washer	1	

<b>Group</b>	ENGINE
<b>Code</b>	34.39
<b>Description</b>	Oil pump
<b>Service</b>	1



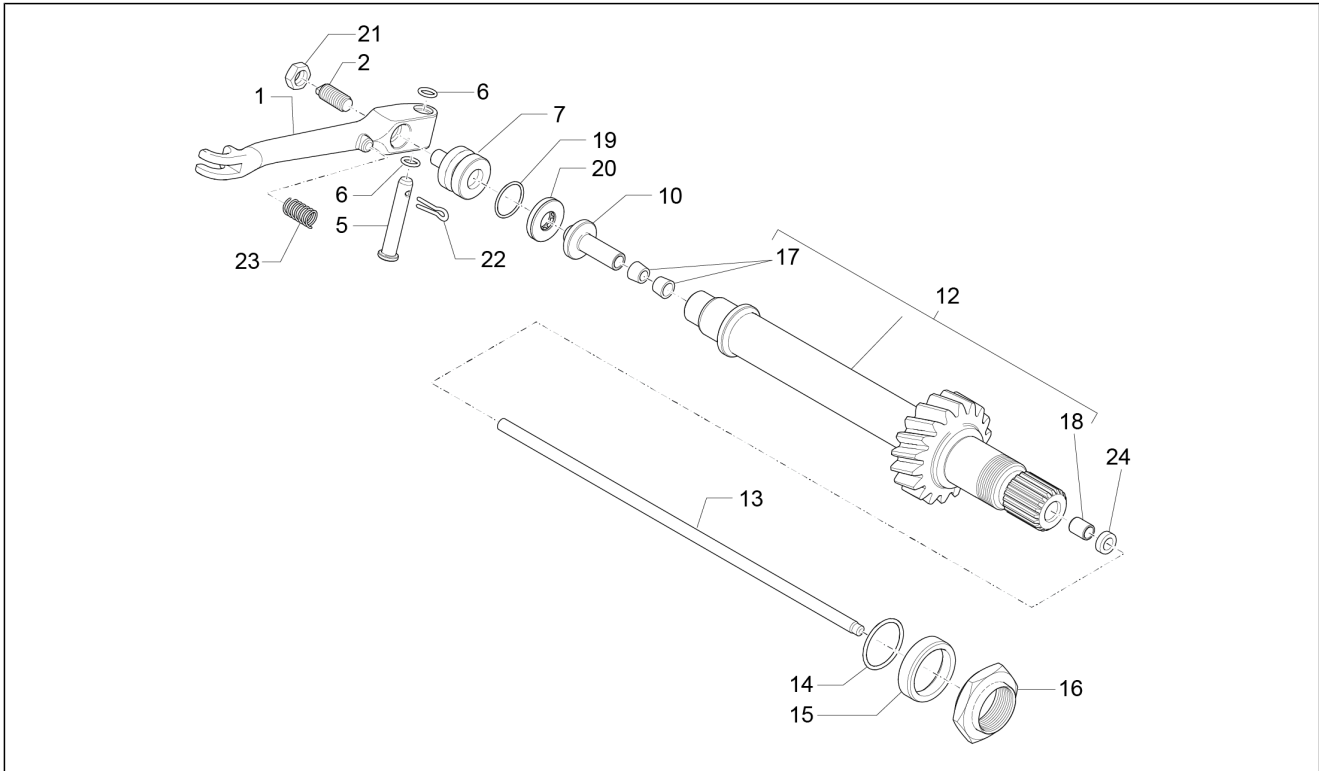
Pos.	Code	Description	Qty	Variants
1	GU19146422	Oil pump	1	
2	GU92252210	Roller bearing 10x22x20	1	
3	GU20147810	Oil pump shaft assy.	1	
4	GU20148410	Inner rotor	1	
5	GU20148610	Outer rotor	1	
6	GU92296723	Roller	1	
7	884039	Hex socket screw M6x35	3	
8	641541	Oil pressure sensor	1	
9	887093	Union	1	
10	GU19018920	Pin	2	
11	GU19152200	Oil filter	1	
12	GU98084314	Hex screw M6x14	1	
13	GU95187006	Plate	1	
14	GU27153085	Oil filter	1	
15	GU31159050	Cover	1	
16	GU18144350	Washer 18,25x24x1	3	
17	GU20147710	Pump gear	1	
18	AP8152220	Washer	1	
19	GU92602510	Nut M10x1,25	1	
20	GU31016050	Cover	1	
21	GU18161150	Gasket 14,25	1	
22	GU90706111	O-ring	1	
23	GU95008206	Washer 6,15x11x0,8	3	
24	GU94321079	Spring	1	
25	GU95100602	Gasket	1	
26	GU31159050	Piston	1	
27	GU95100309	Washer	1	

<b>Group</b>	ENGINE
<b>Code</b>	34.40
<b>Description</b>	Clutch I
<b>Service</b>	1



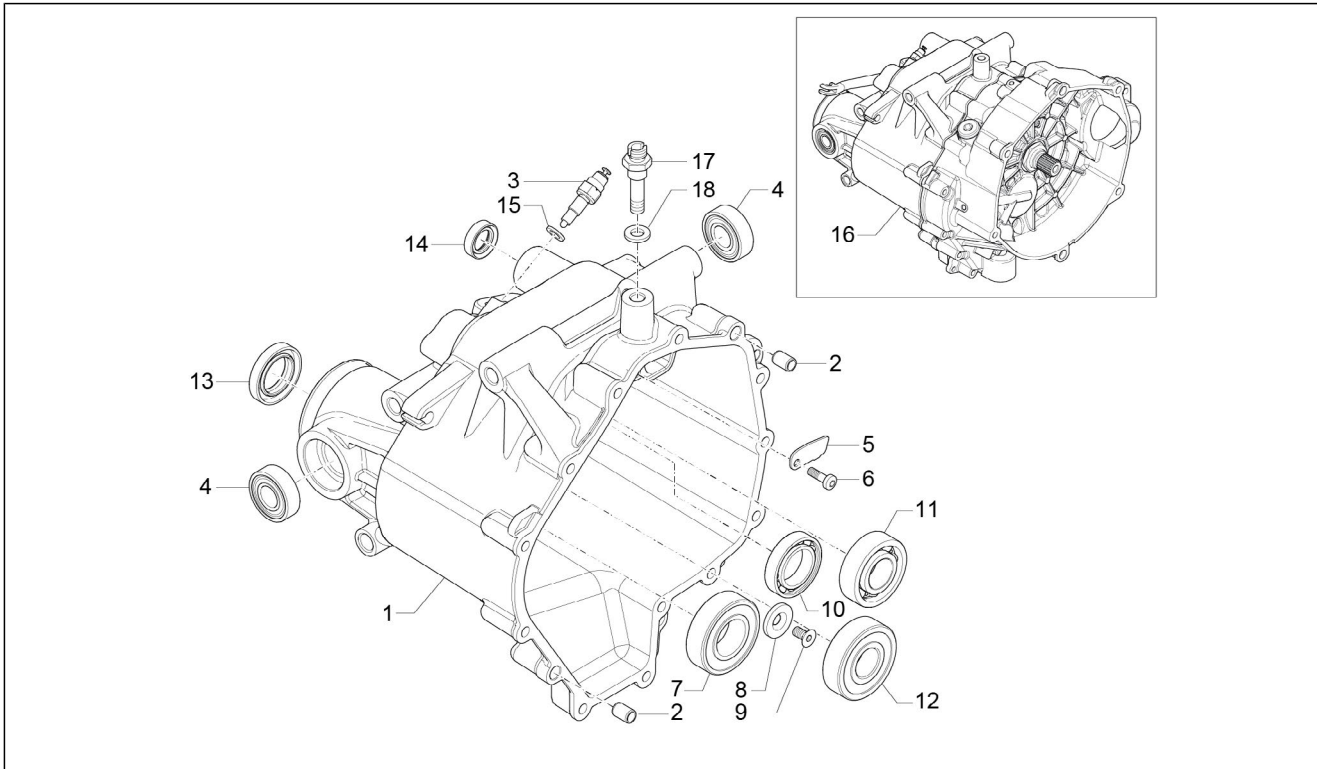
Pos.	Code	Description	Qty	Variants
1	2A0003794	Clutch drum	1	
2	886629	Gasket ring	1	
3	848650	Ball bearing 20x47x14	1	
4	GU92201226	Ball bearing 25x52x15	1	
5	B013608	Screw	4	
6	873928	Washer	3	
7	GU92201822	Ball bearing 20x52x15	1	
8	873905	Washer	1	
9	834764	Bearing	1	
10	GU12022600	Oil plug	1	
11	AP8150045	Hex socket screw M6x55	14	
12	B017406	O-ring 20.35x1.78	1	
13	B018020	Oil filter cpl.	1	
14	285536	O-ring 31,47x1,78	1	
15	B015598	Oil filter plug	1	
16	B018448	Oil pump assy.	1	
17	2A000241	Screw M5x16	2	
18	GU95008306	Washer 6,4x12x1,2	14	
19	GU32067910	Chain ring	1	
20	GU32084410	Driven clutch disc	1	
21	GU90272075	Snap ring	1	
22	GU19083462	New cup type	1	
23	GU32080310	Clutch	1	
24	884038	Hex screw M6x16	6	
25	GU14217901	Washer 6,4x10x0,7	6	
26	GU90706203	O-ring 20,24x2,62	1	
27	GU98680440	Hex socket screw M8x40	6	

<b>Group</b>	ENGINE
<b>Code</b>	34.41
<b>Description</b>	Clutch II
<b>Service</b>	1



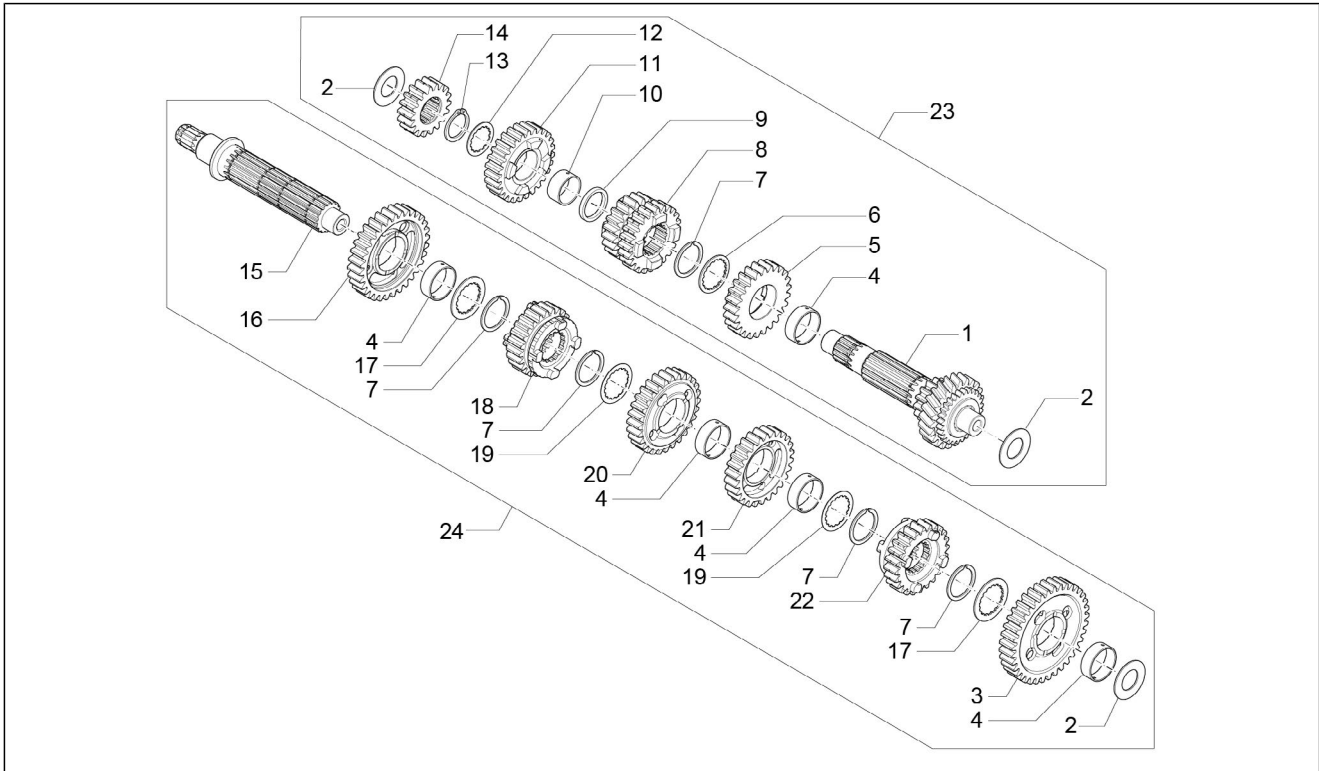
Pos.	Code	Description	Qty	Variants
1	2A000383	Clutch release shaft	1	
2	GU14090400	Adjuster screw	1	
5	2A000384	Lever pin	1	
6	2A000385	O-ring 6.5x1.5	2	
7	GU14086100	Outer body	1	
10	B013037	Clutch gear	1	
12	2A000204	Clutch shaft Z=18	1	
13	2A000216	Drive rod	1	
14	GU90706235	O-ring 23,52x1,78	1	
15	GU19213760	Spacer	1	
16	GU19356760	Nut	1	
17	GU14085900	Bush	2	
18	GU05217630	Bushing	1	
19	GU90706170	O-ring 17,13x2,62	1	
20	2A000376	Thrust bearing	1	
21	GU92606508	Nut	1	
22	GU95500222	Split pin	1	
23	GU94321105	Lever return spring	1	
24	2A000378	Gasket ring	1	

<b>Group</b>	ENGINE
<b>Code</b>	34.42
<b>Description</b>	Transmission cage
<b>Service</b>	1



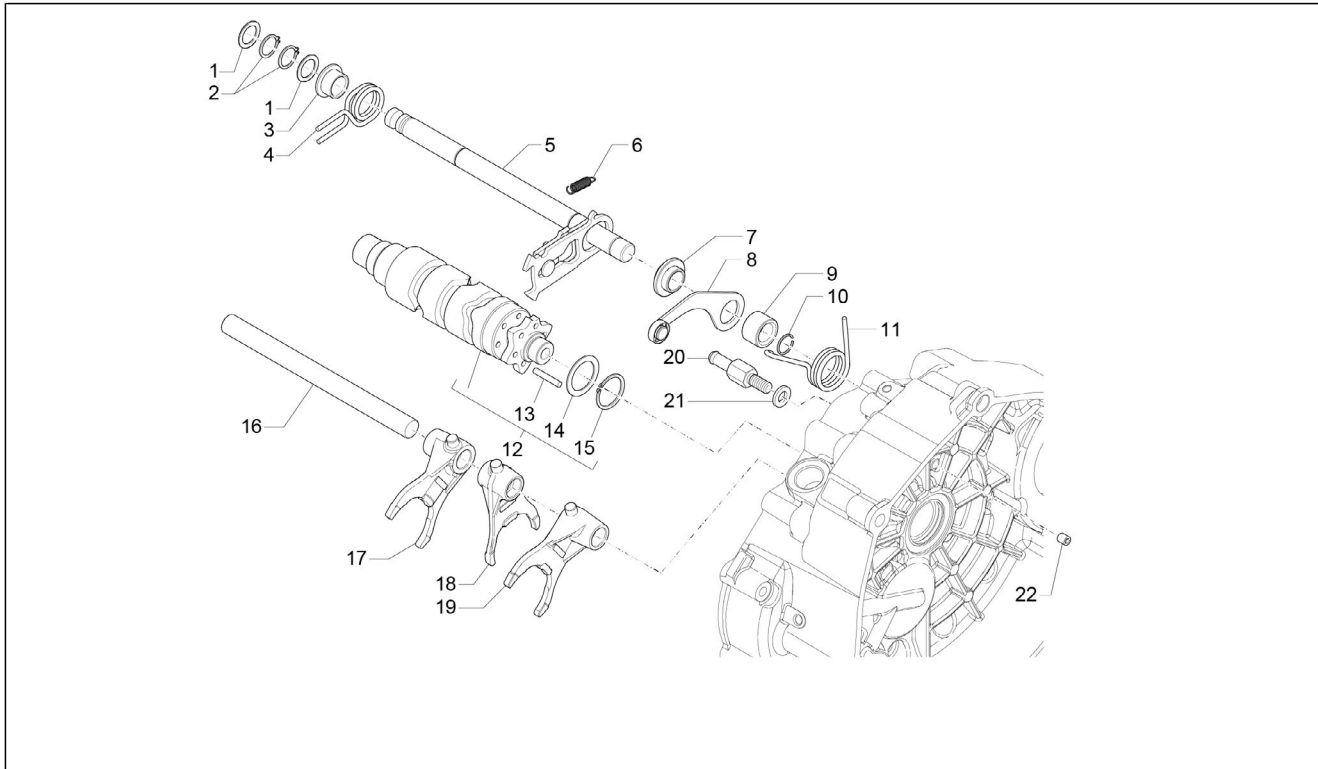
Pos.	Code	Description	Qty	Variants
1	2A000210	Transmission cage	1	
2	GU19002020	Bushing 6,6x9x13	2	
3	B063269	Sensor	1	
4	2A000097	Ball bearing 6202-2RSH/C3 LHT23	2	
5	2A000306	Lock plate	1	
6	2A000241	Screw M5x16	1	
7	GU92201226	Ball bearing 25x52x15	1	
8	873928	Washer	1	
9	B013608	Screw	1	
10	857250	Ball bearing 25x42x9	1	
11	2A000375	Ball bearing	1	
12	GU92201822	Ball bearing 20x52x15	1	
13	GU90412541	Gasket ring 25X40X7	1	
14	GU90401424	Gasket ring 14x24x7	1	
15	B063025	Gasket 8.7x14.2x1.3	1	
16	2A000196	Gear box assy	1	
17	2A000438	Breather plug	1	
18	GU01528930	Gasket 10x18x1,5	1	

<b>Group</b>	ENGINE
<b>Code</b>	34.43
<b>Description</b>	Gear box
<b>Service</b>	1



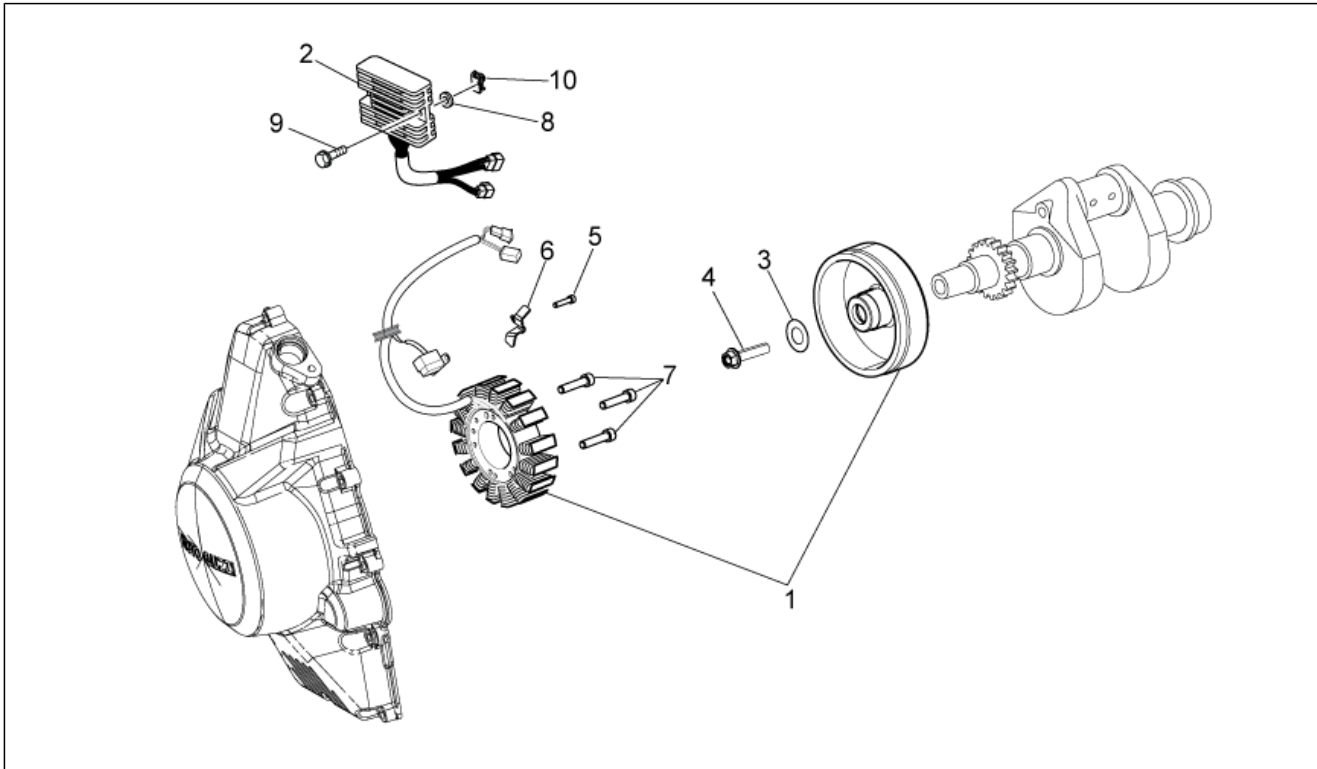
Pos.	Code	Description	Qty	Variants
1	2A000230	Primary gear shaft	1	
2	1A000566	Thrust washer	3	
3	B017470	1st gear	1	
4	849308	Moveable bush	5	
5	1A000360	Fifth speed gear	1	
6	849424	Clearance washer	1	
7	1A002604	Shaft snap ring	5	
8	1A000436	Sliding pinion 3a - 4a vel.	1	
9	B015040	Thrust washer	1	
10	974162	Moveable bush	1	
11	1A000361	6th pinion gear	1	
12	849396	Clearance washer	1	
13	974165	Snap ring	1	
14	1A000365	2nd pinion gear	1	
15	2A000203	Secondary gearbox shaft	1	
16	1A000366	Second speed gear Z=32	1	
17	849309	Clearance washer	2	
18	1A000370	Gear 6a Z=24	1	
19	849310	Clearance washer	2	
20	1A000367	Third speed gear Z=28	1	
21	1A000368	Fourth speed gear Z=26	1	
22	1A000369	Fifth speed gear Z=24	1	
23	2A000199	Primary shaft assy	1	
24	2A000202	Sec. shaft assy	1	

<b>Group</b>	ENGINE
<b>Code</b>	34.44
<b>Description</b>	Gear box selector
<b>Service</b>	1



Pos.	Code	Description	Qty	Variants
1	GU05239330	Fifth wheel	2	
2	GU90271014	Circlip	2	
3	2A000467	Spacer	1	
4	B063956	Spring	1	
5	2A000219	Preselection complete	1	
6	GU05238231	Spring	1	
7	GU05238431	Bushing	1	
8	B064112	Index assy. lever	1	
9	GU05234230	Spacer	1	
10	GU90353014	Circlip	1	
11	B064113	Index spring	1	
12	2A000222	Shift cam cpl.	1	
13	GU05234631	Pin	6	
14	GU05235531	Spacer	1	
15	GU90271022	Circlip	1	
16	2A000224	Rod	1	
17	2A000226	Fork 2-3 speed	2	
18	2A000227	5-6 gear fork	1	
19	2A000225	Fork for secondary shaft	1	
20	2A000415	Set screw	1	
20	2A000416	Set screw	1	
21	B063025	Gasket 8.7x14.2x1.3	1	
22	862560	Special nut	1	

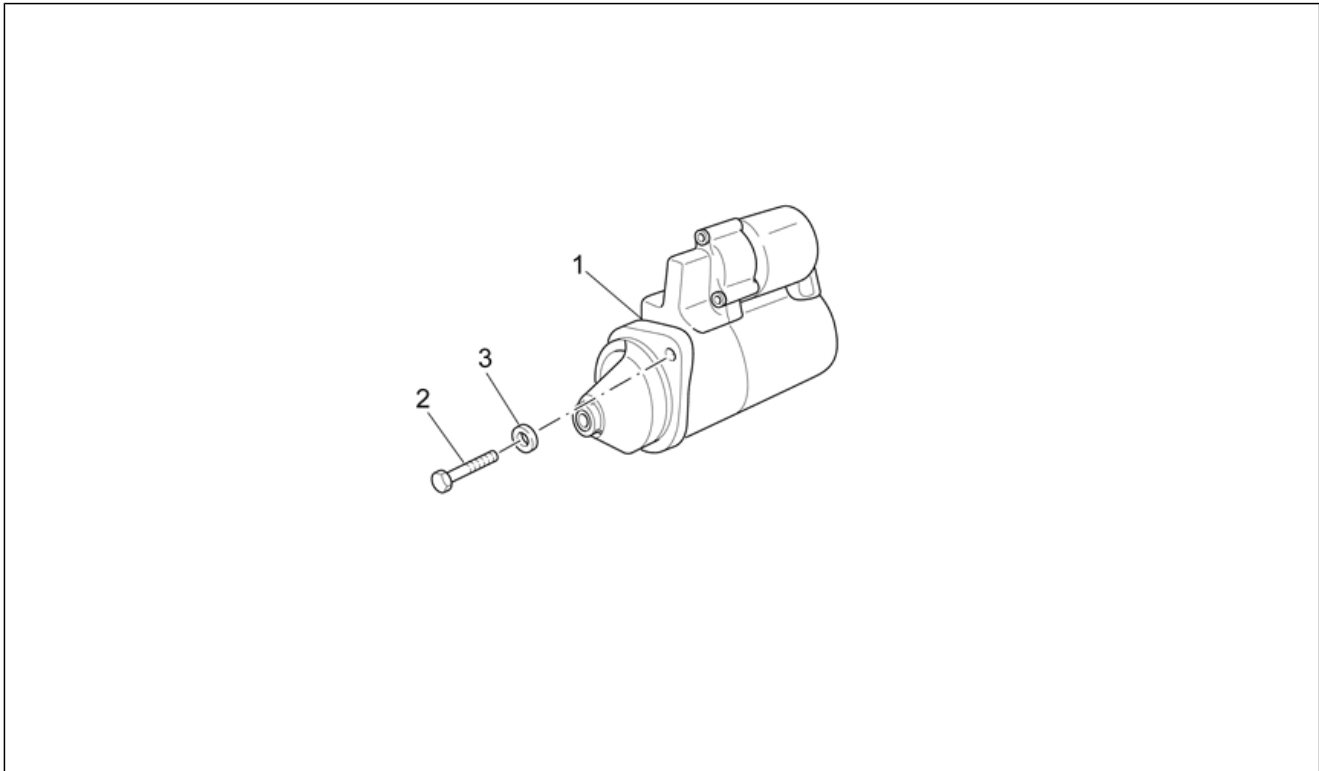
<b>Group</b>	ENGINE
<b>Code</b>	34.45
<b>Description</b>	Generator - Regulator
<b>Service</b>	1



Pos.	Code	Description	Qty	Variants
1	2D000024	Cdi magneto assy	1	
2	2D000043	Voltage regulator	1	
3	897478	Washer 12x26.5x3	1	
4	857206	Screw w/ flange M12X1,25X50	1	
5	GU98682212	Hex socket screw M5x12	1	
6	2A000115	Plate	1	
7	2A000129	Low head socket screw M6x35	3	
8	GU95100125	Washer	2	
9	AP8152281	Screw w/ flange M6x30	2	
10	254485	Spring plate M6	2	

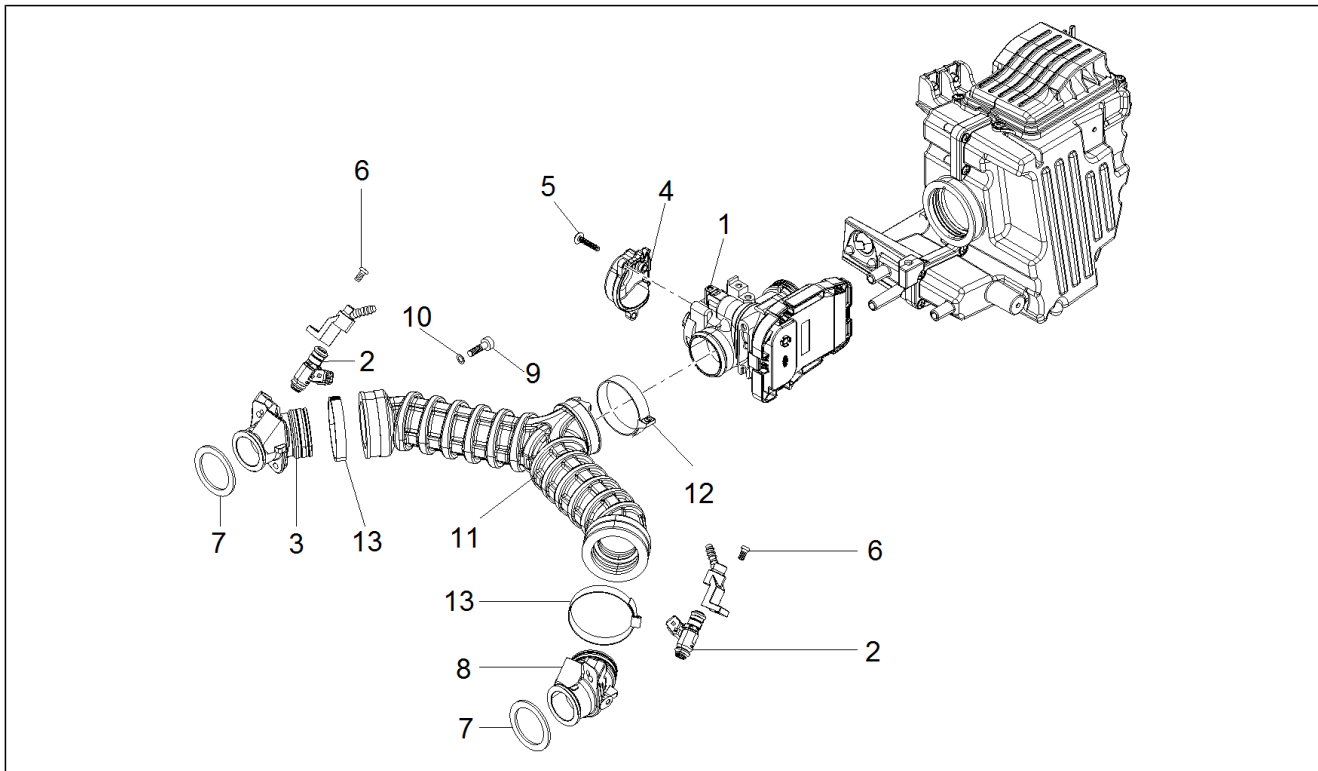


<b>Group</b>	ENGINE
<b>Code</b>	34.46
<b>Description</b>	Starter motor
<b>Service</b>	1



Pos.	Code	Description	Qty	Variants
1	GU05730730	Starter motor Bosch	1	
2	GU98682435	Hex socket screw	2	
3	GU95008208	Washer 8,4X15X1,5	2	

<b>Group</b>	ENGINE
<b>Code</b>	34.47
<b>Description</b>	Throttle body
<b>Service</b>	1



Pos.	Code	Description	Qty	Variants
1	CM228306	Electronic control unit ECU for injection	1	
2	B063049	Injector	2	
3	GU32115010	RH manifold	1	
4	880260	Throttle body Protection	1	
5	B016796	Torx convex big end screw	3	
6	AP8152298	Screw w/ flange M5x16	2	
7	GU32115510	Gasket	2	
8	GU32115011	LH manifold	1	
9	GU98622322	screw	4	
10	GU03013800	Washer 6,4x12	4	
11	2B001031	Throttle body hose	1	
12	884310	Hose clamp D.55	1	
13	884311	Hose clamp D.61	2	